

U_B2B-Connectors B2B-Connectors.SchDoc
U_B13 B13.SchDoc
U_B33-B34 B33-B34.SchDoc
U_B35 B35.SchDoc
U_DDR3-RAM DDR3-RAM.SchDoc
U_eMMC eMMC.SchDoc
U_ETH-PHY ETH-PHY.SchDoc

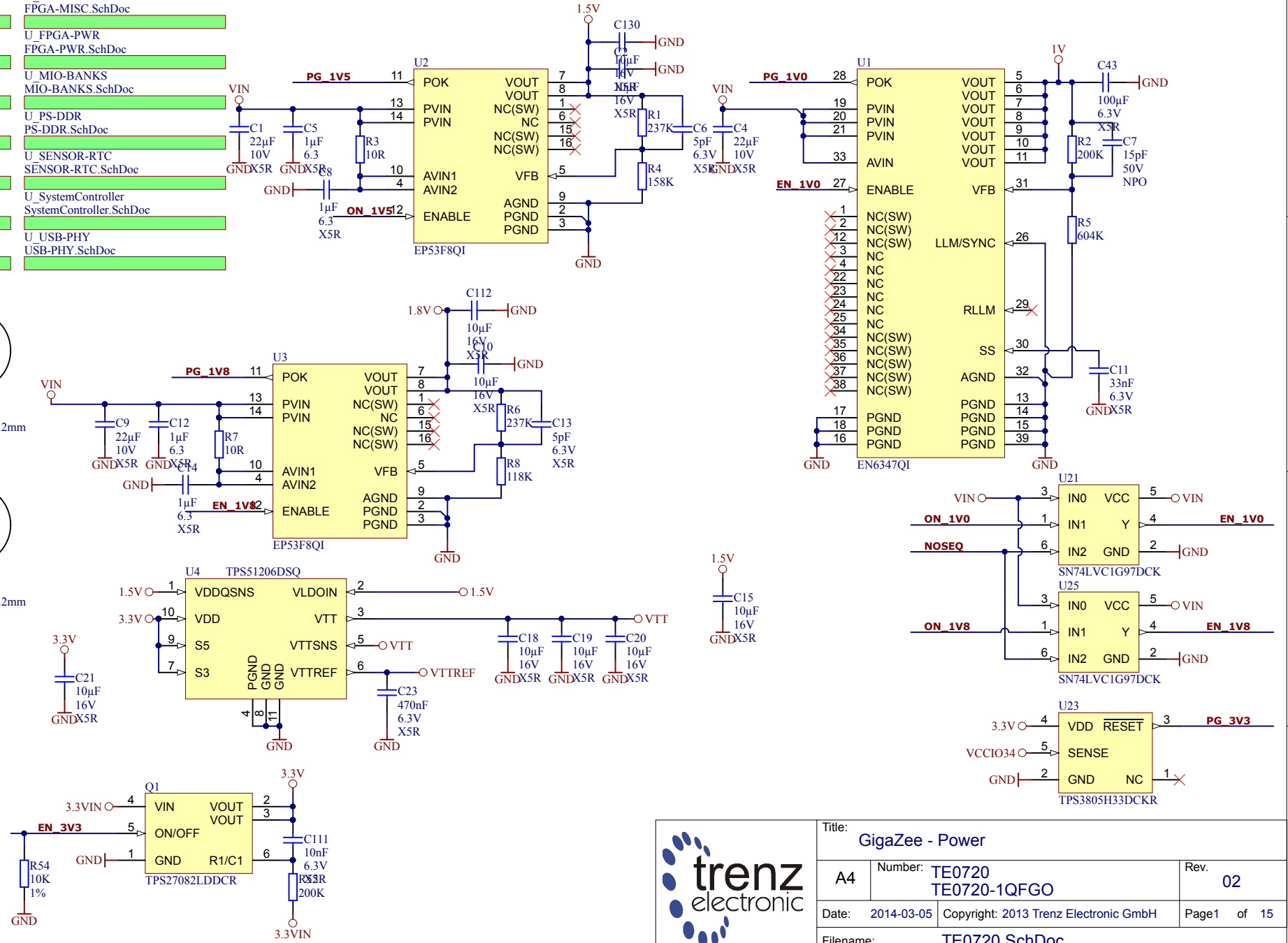
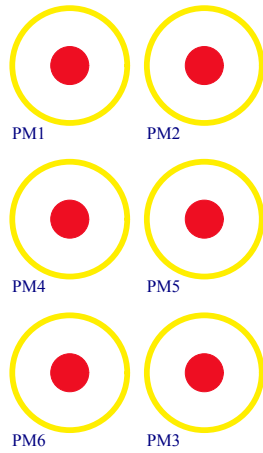
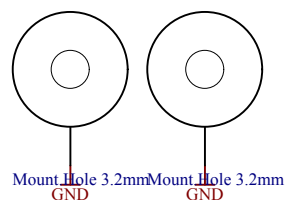
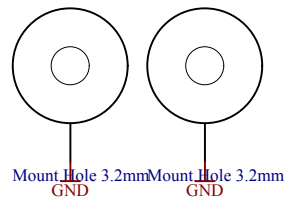
U_FPGA-MISC FPGA-MISC.SchDoc
U_FPGA-PWR FPGA-PWR.SchDoc
U_MIO-BANKS MIO-BANKS.SchDoc
U_PS-DDR PS-DDR.SchDoc
U_SENSOR-RTC SENSOR-RTC.SchDoc
U_SystemController SystemController.SchDoc
U_USB-PHY USB-PHY.SchDoc

A

B

C

D



Title: **GigaZee - Power**

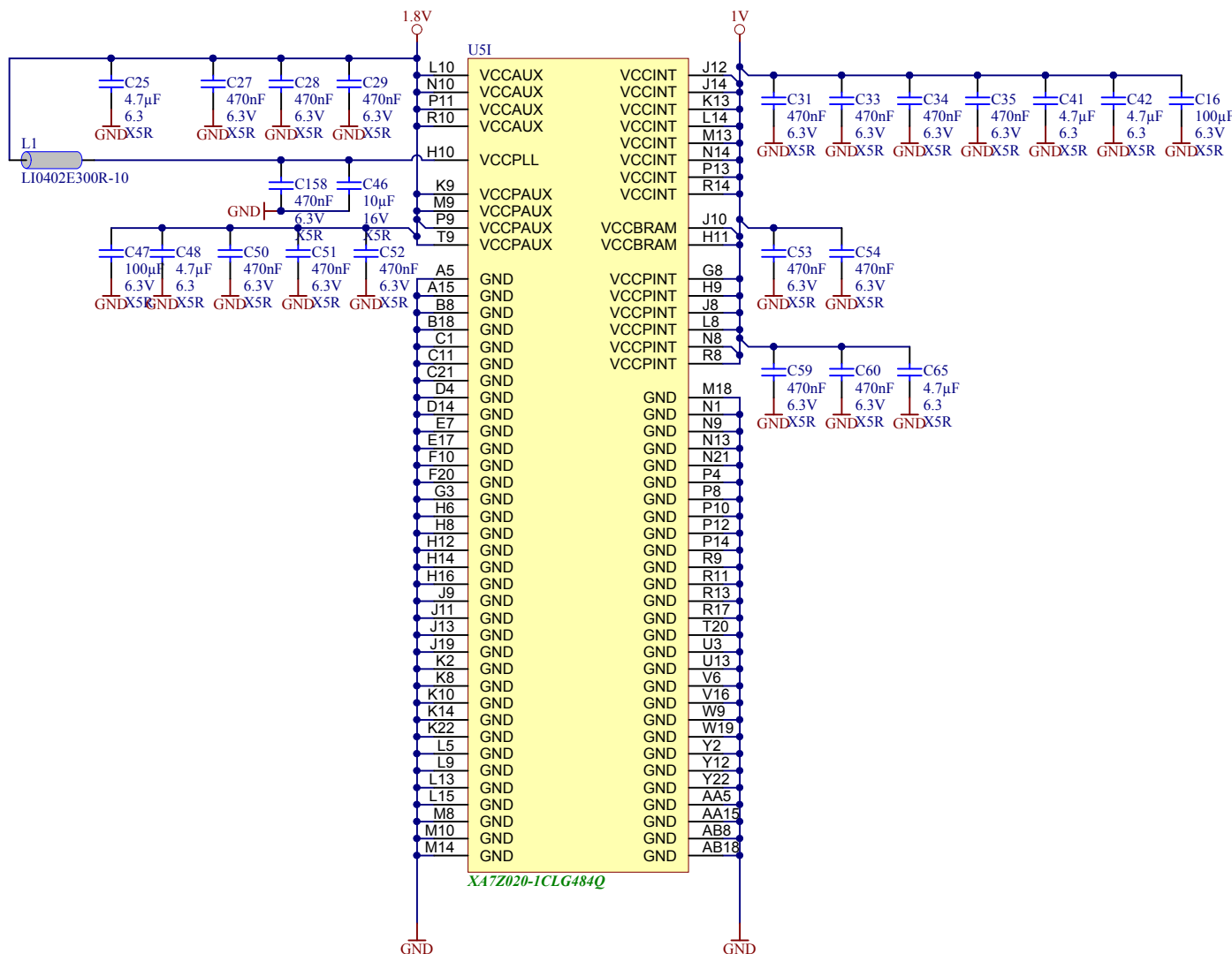
A4	Number: TE0720 TE0720-1QFGO	Rev. 02
Date: 2014-03-05	Copyright: 2013 Trenz Electronic GmbH	Page 1 of 15
Filename: TE0720.SchDoc		


1

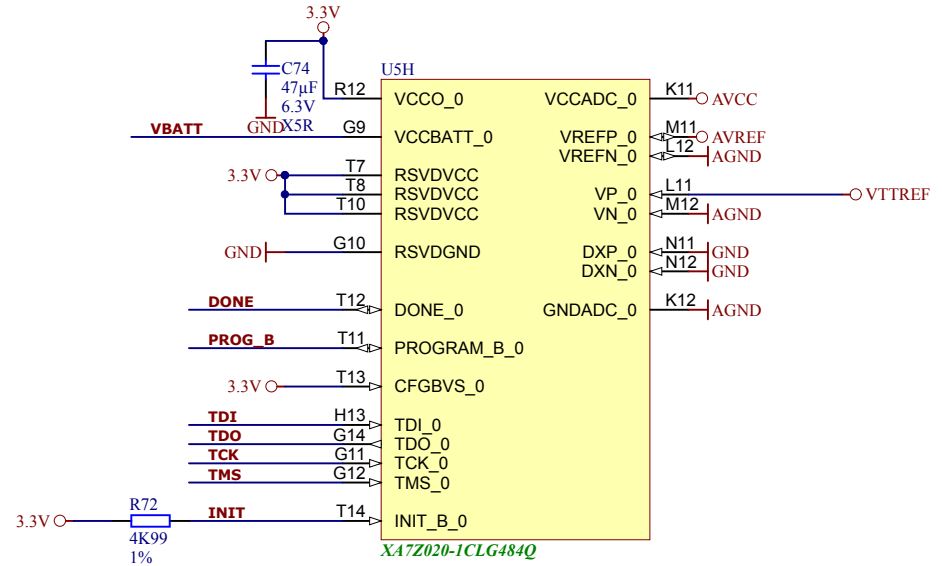
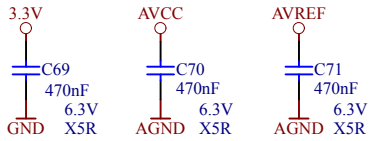
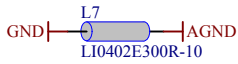
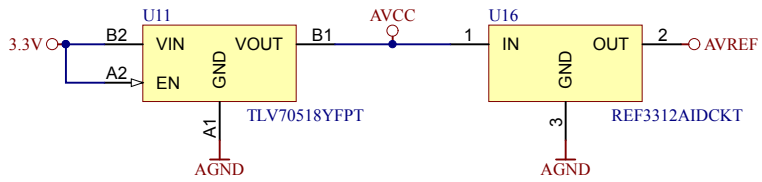
2


3

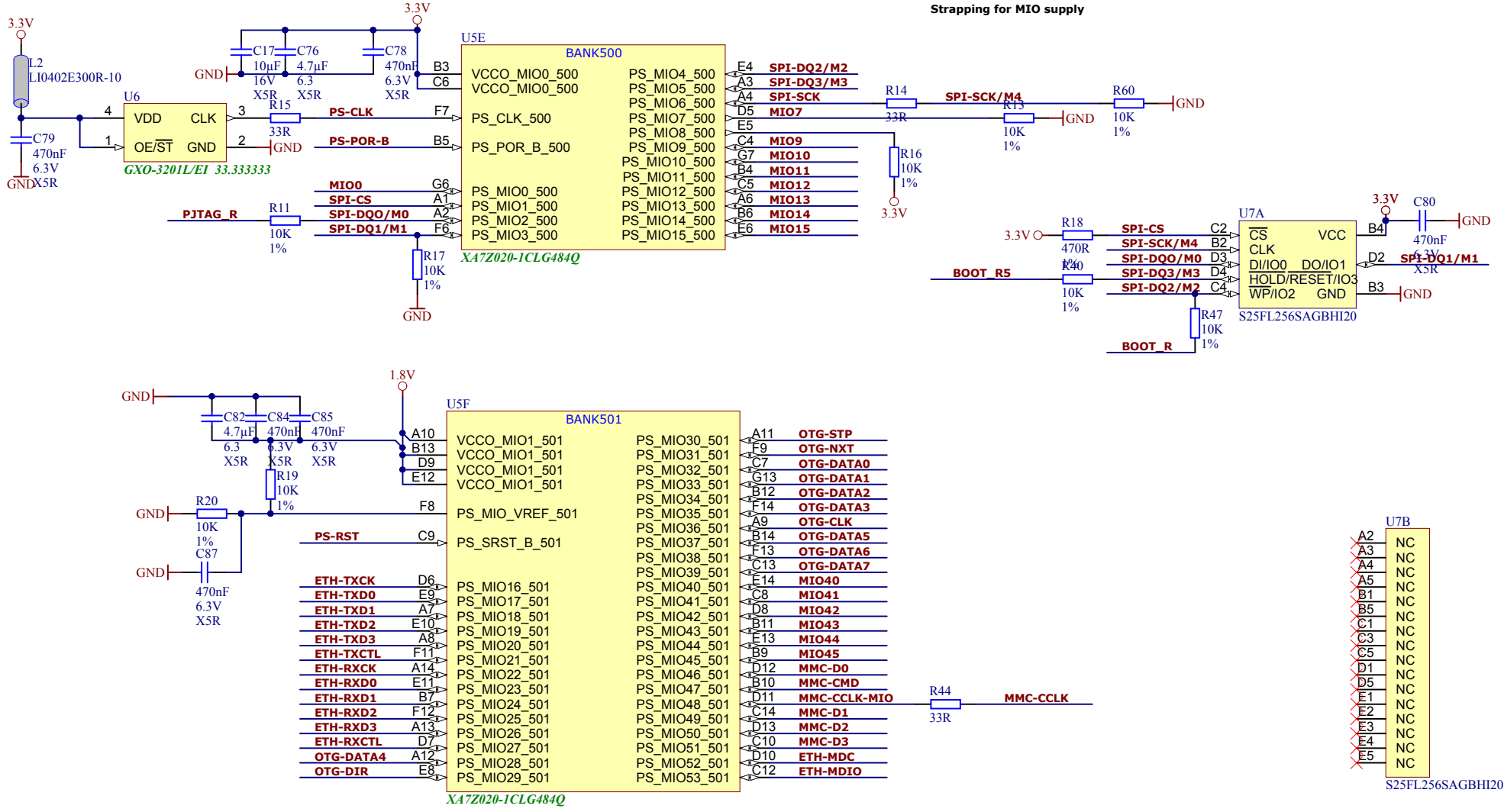
4



	Title: GigaZee - FPGA Power		
	A4	Number: TE0720 TE0720-1QFGO	Rev. 02
	Date: 2014-03-05	Copyright: 2013 Trenz Electronic GmbH	Page2 of 15
	Filename: FPGA-PWR.SchDoc		

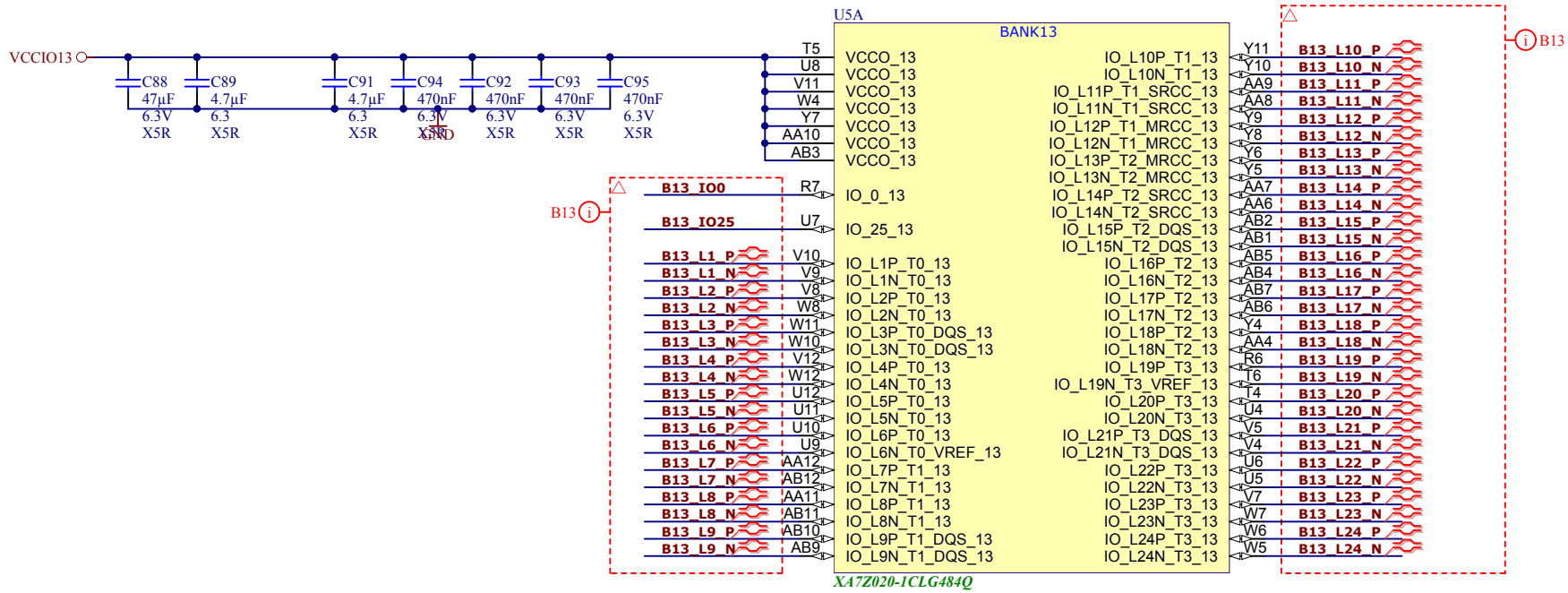



	Title: GigaZee - B0		
	A4	Number: TE0720 TE0720-1QFGO	Rev. 02
	Date: 2014-03-05	Copyright: 2013 Trenz Electronic GmbH	Page3 of 15
	Filename: FPGA-MISC.SchDoc		

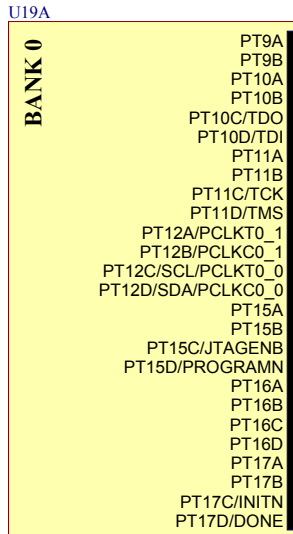



Title: GigaZee - MIO - Config

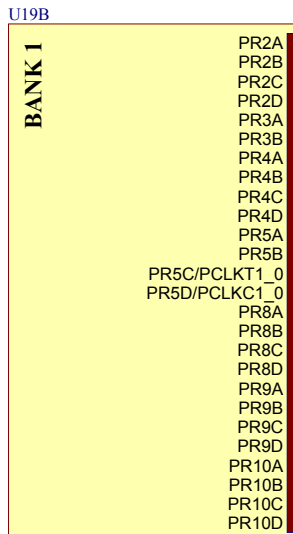
A4	Number: TE0720 TE0720-1QFGO	Rev. 02
Date: 2014-03-05	Copyright: 2013 Trenz Electronic GmbH	Page4 of 15
Filename: MIO-BANKS.SchDoc		



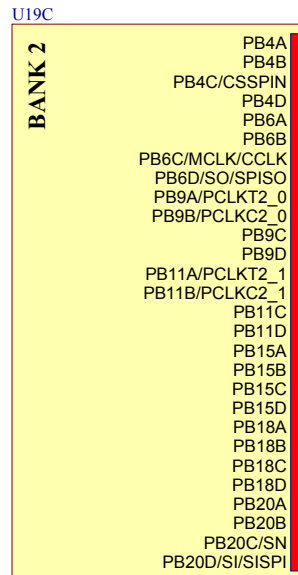
	Title: GigaZee - B13		
	A4	Number: TE0720 TE0720-1QFGO	Rev. 02
	Date: 2014-03-05	Copyright: 2013 Trenz Electronic GmbH	Page5 of 15
	Filename: B13.SchDoc		



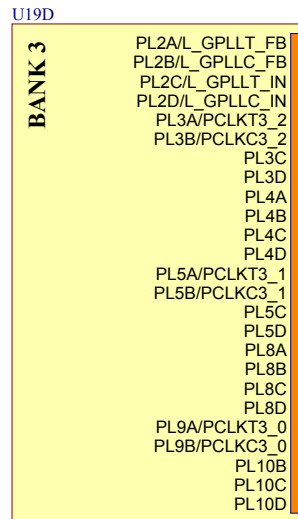
LCMX02-1200HC-4MG1321



LCMX02-1200HC-4MG1321



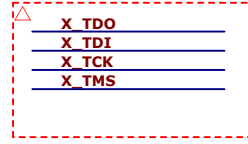
LCMX02-1200HC-4MG1321



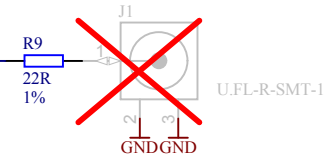
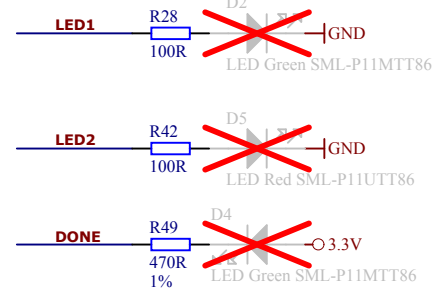
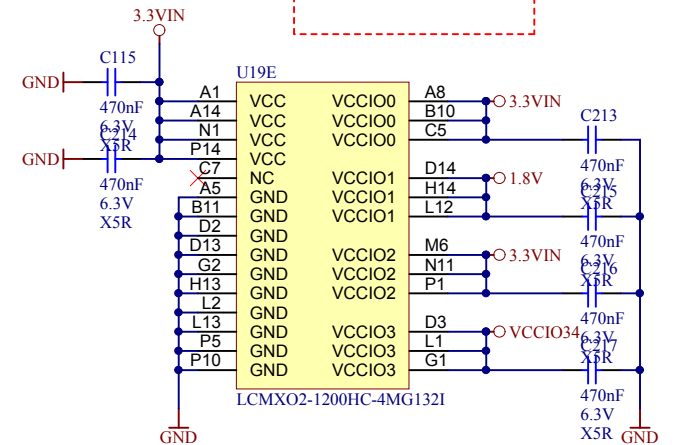
LCMX02-1200HC-4MG1321

CPLD_3V3

CPLD_B34



JTAG



Title: GigaZee - System Controller		
A4	Number: TE0720 TE0720-1QFGO	Rev. 02
Date: 2014-03-05	Copyright: 2013 Trenz Electronic GmbH	Page6 of 15
Filename: SystemController.SchDoc		

A

B

C

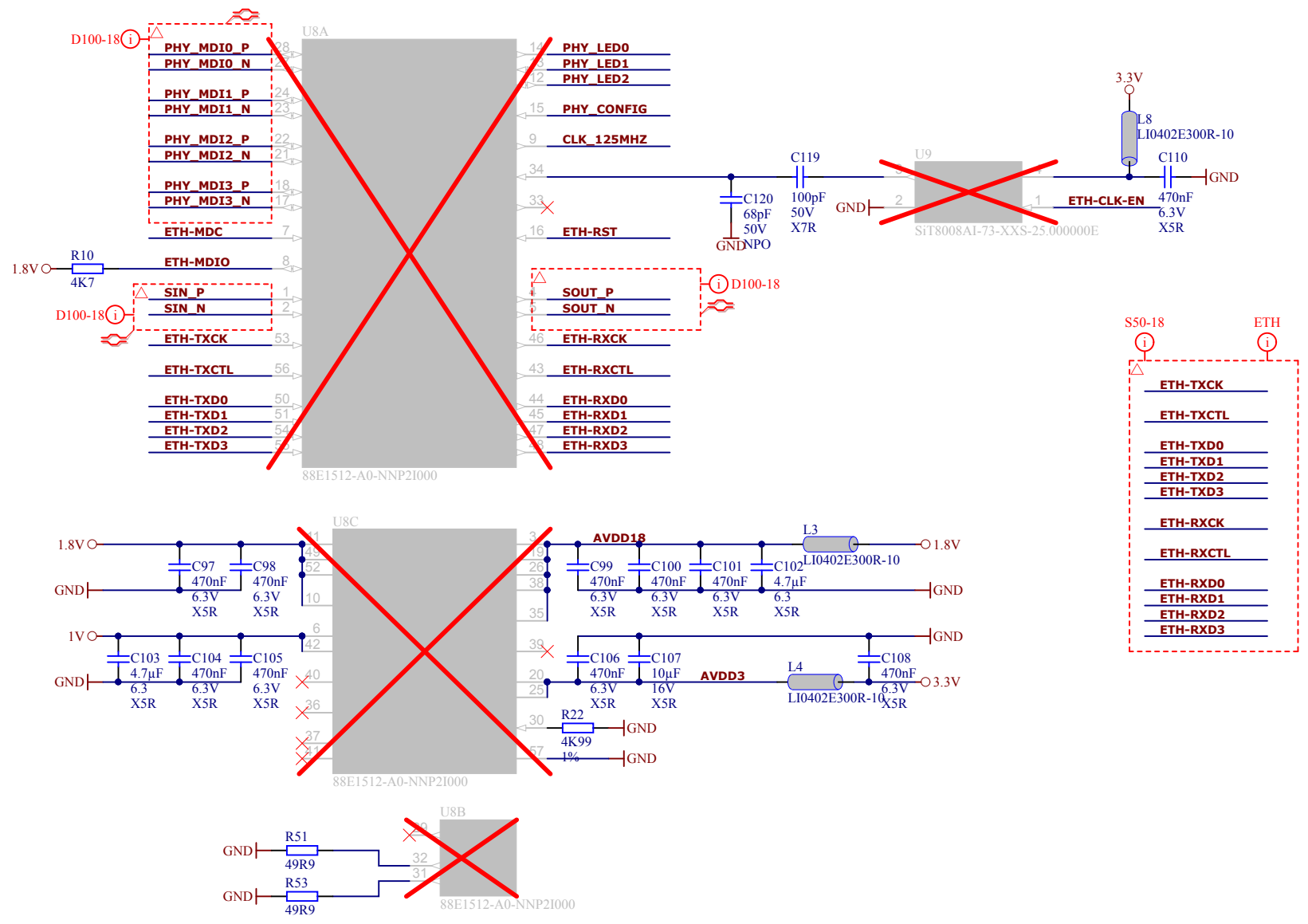
D

A

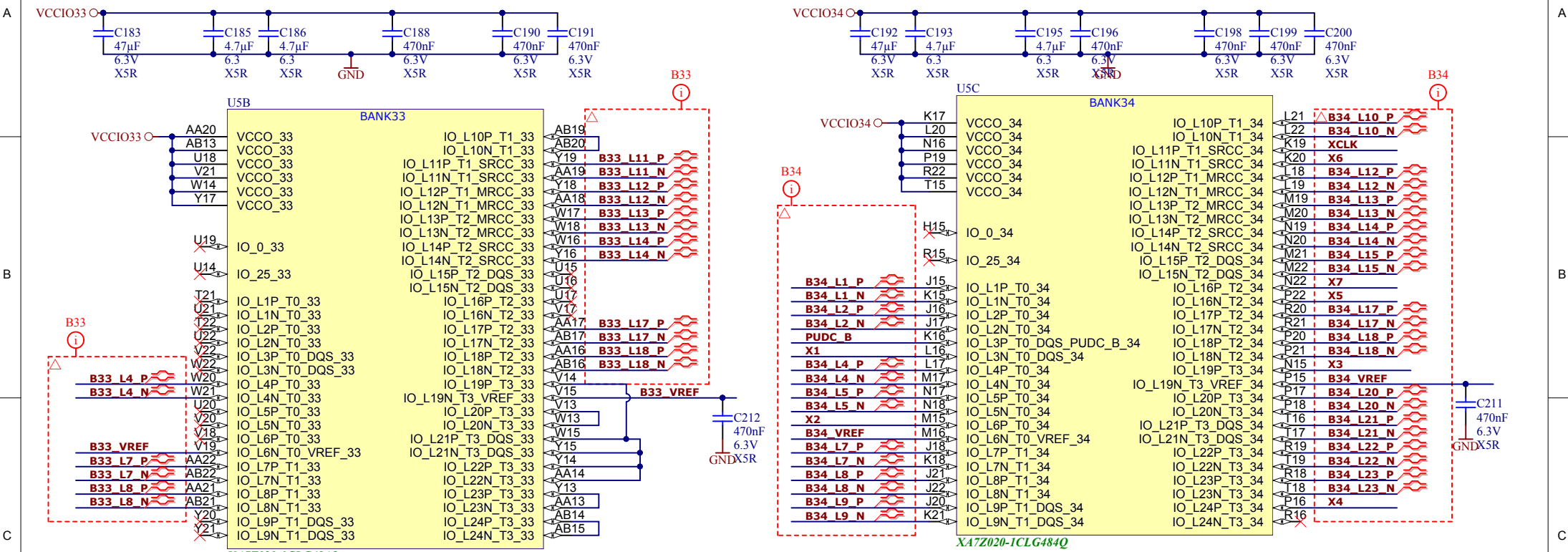
B

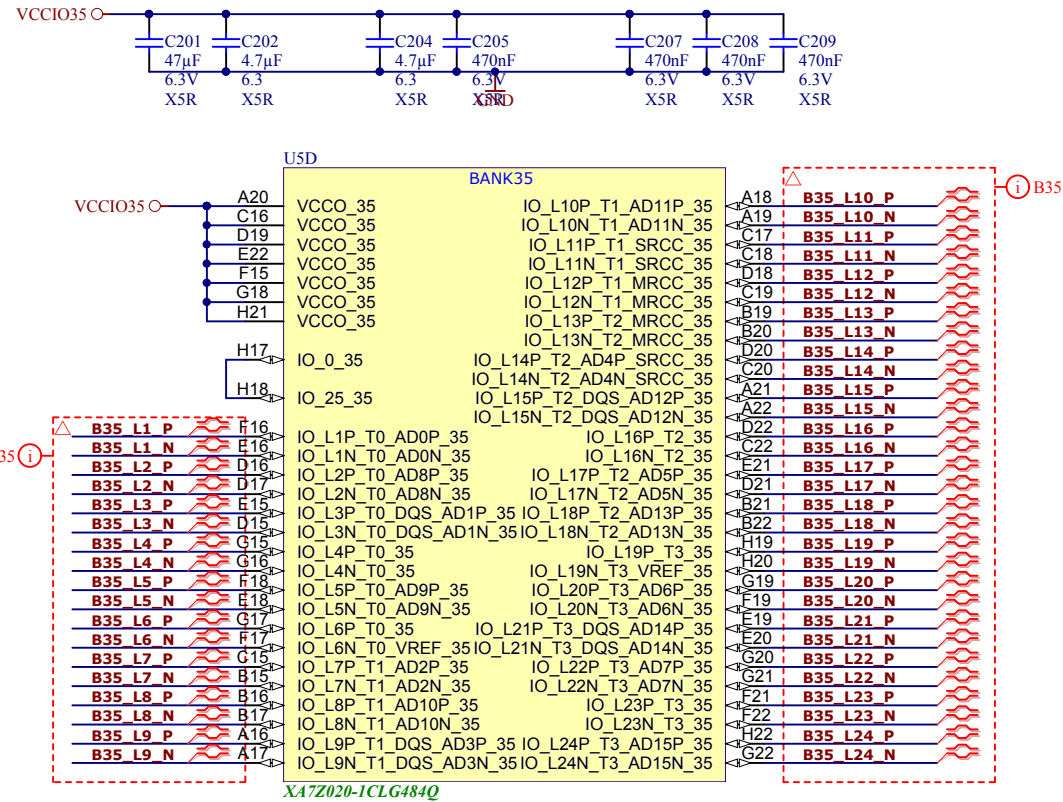
C

D

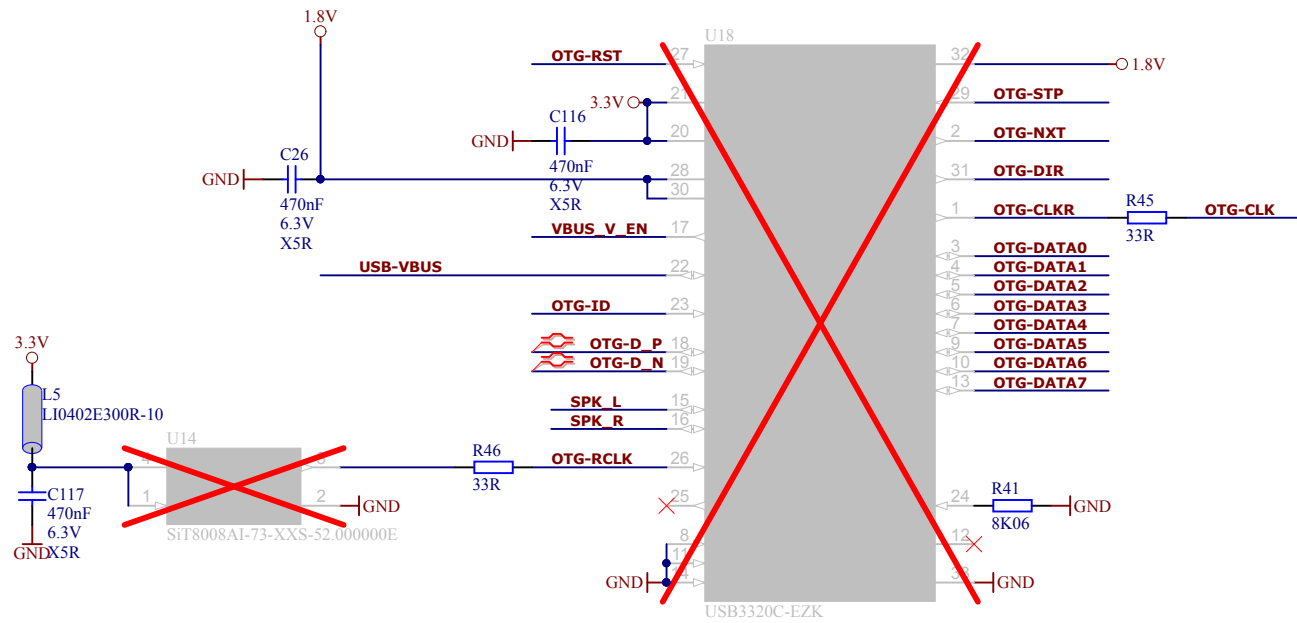



Title: GigaZee - Ethernet		
A4	Number: TE0720 TE0720-1QFGO	Rev. 02
Date: 2014-03-05	Copyright: 2013 Trenz Electronic GmbH	Page 7 of 15
Filename: ETH-PHY.SchDoc		





Title: GigaZee - B35		
A4	Number: TE0720 TE0720-1QFGO	Rev. 02
Date: 2014-03-05	Copyright: 2013 Trenz Electronic GmbH	Page9 of 15
Filename: B35.SchDoc		



	Title: GigaZee - USB		
	A4	Number: TE0720 TE0720-1QFGO	Rev. 02
	Date: 2014-03-05	Copyright: 2013 Trenz Electronic GmbH	Page 10 of 15
	Filename: USB-PHY.SchDoc		

A

B

C

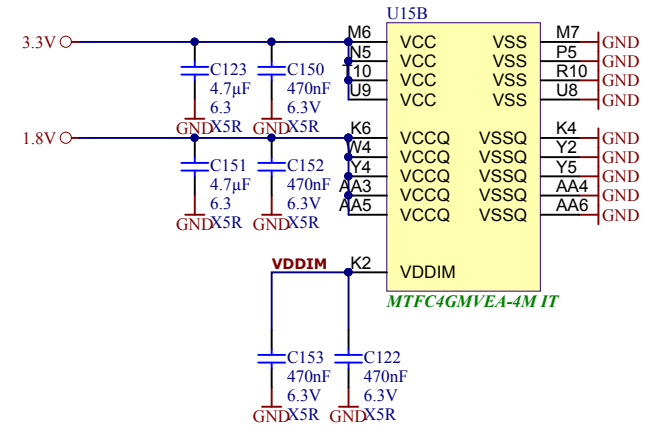
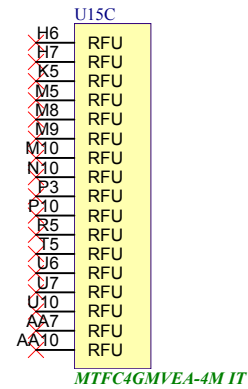
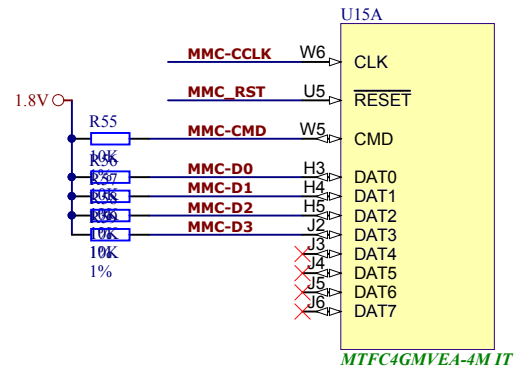
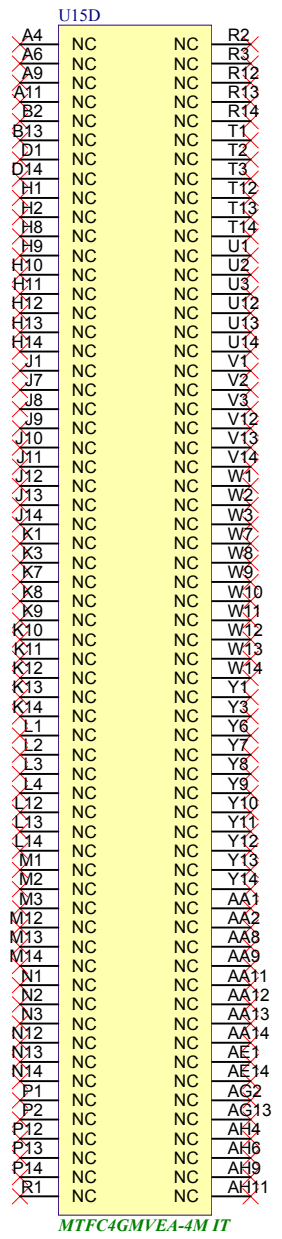
D

A

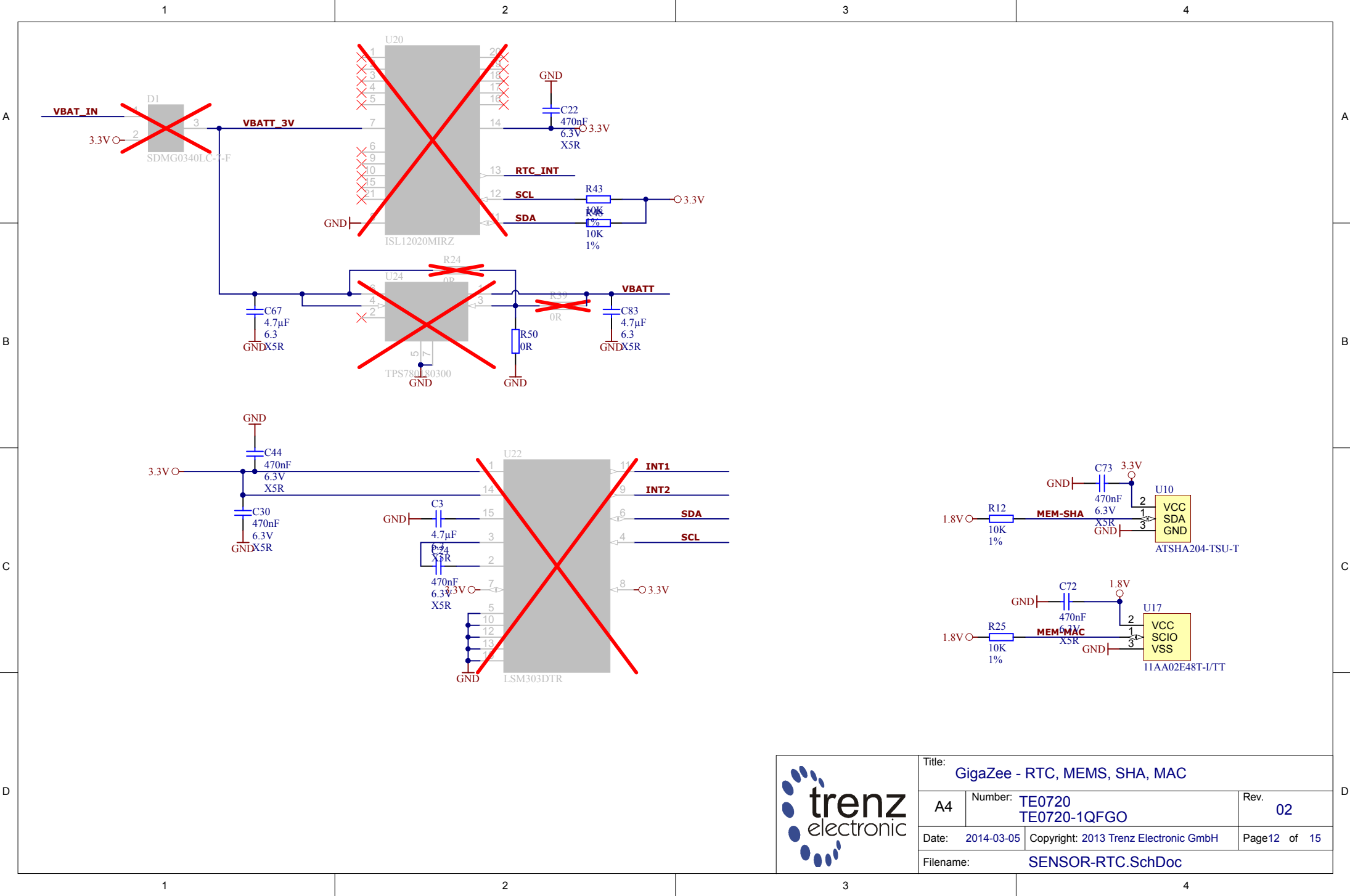
B


C

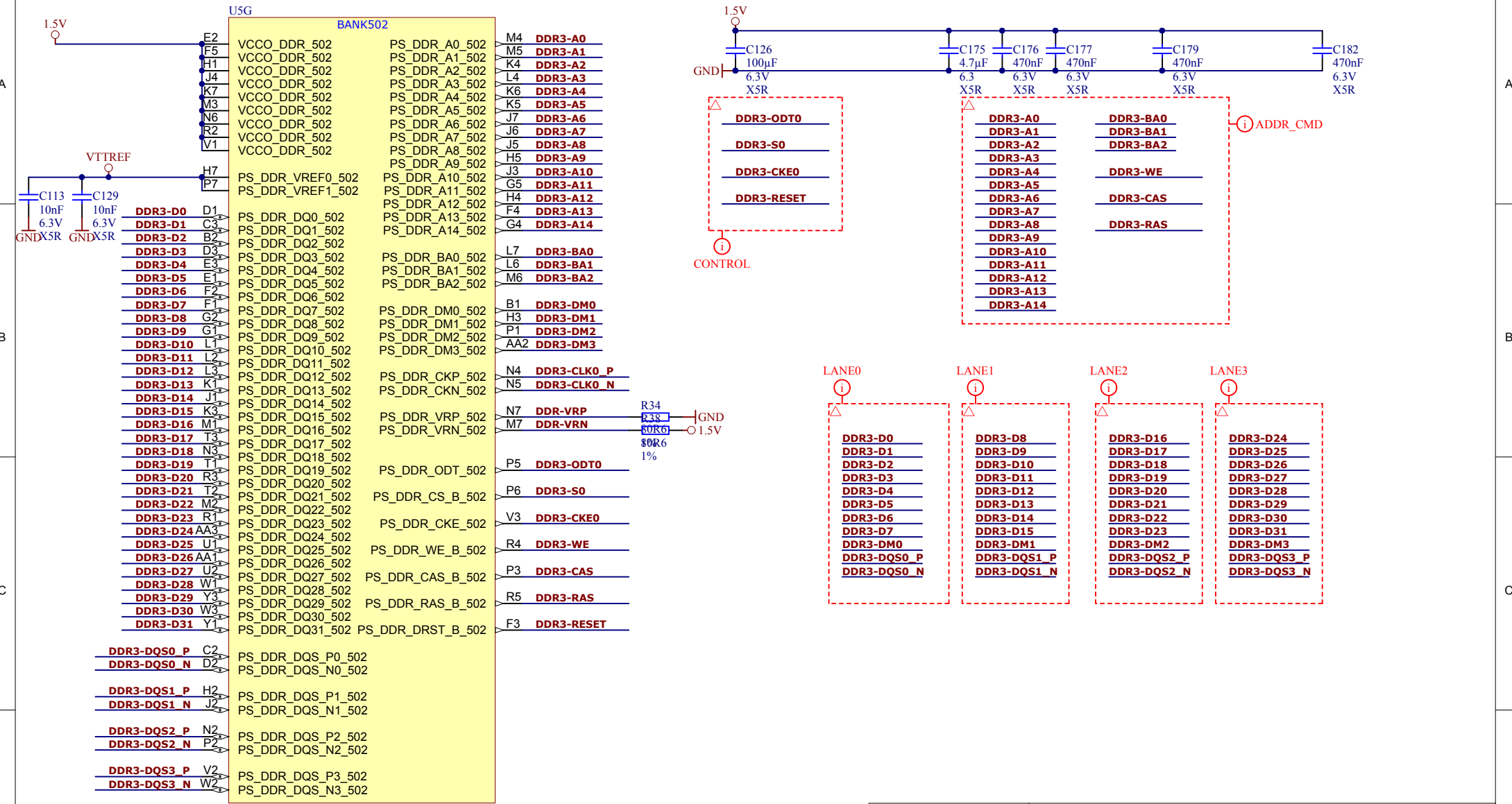
D



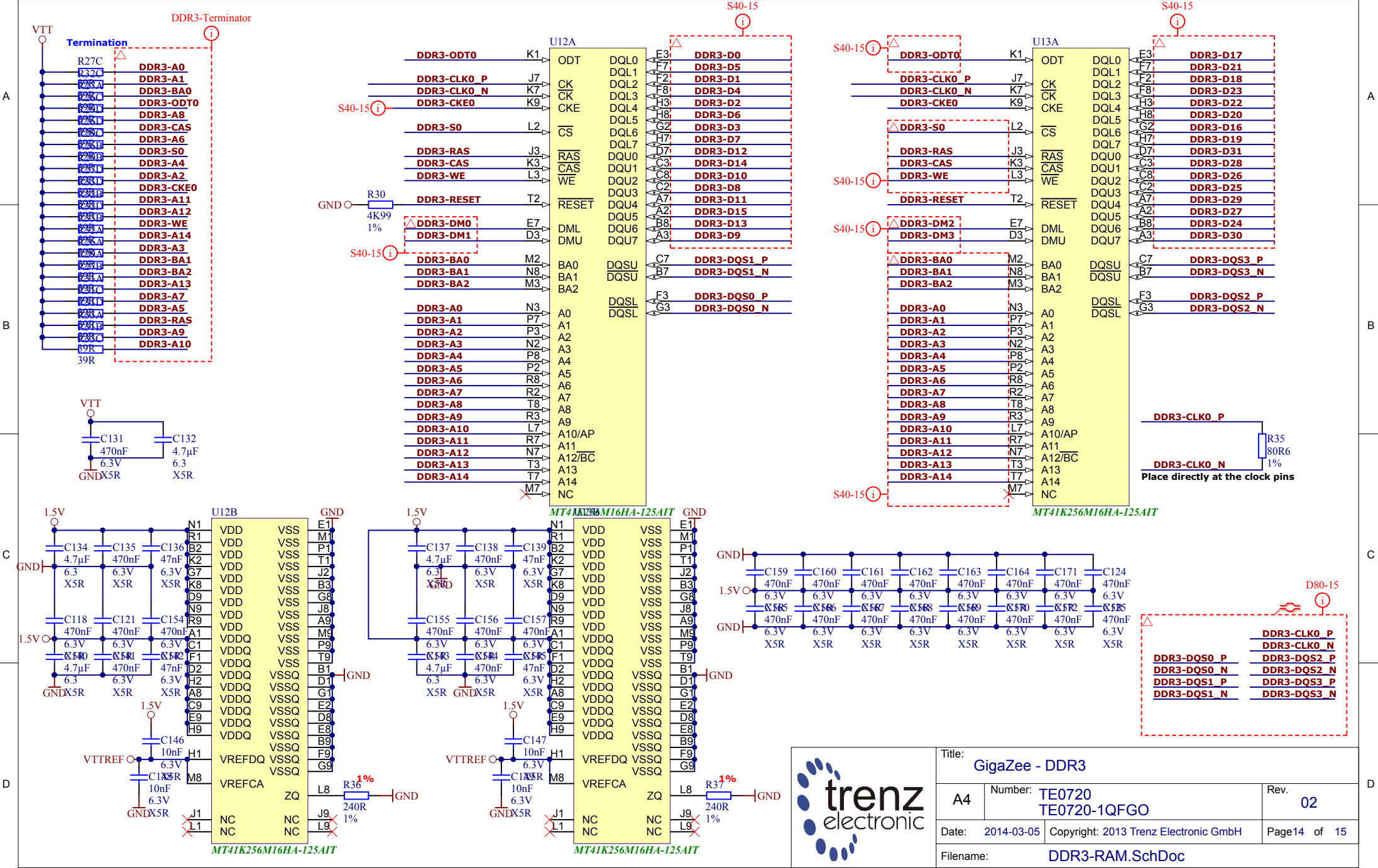
Title: GigaZee - eNAND		
A4	Number: TE0720 TE0720-1QFGO	Rev. 02
Date: 2014-03-05	Copyright: 2013 Trenz Electronic GmbH	Page 11 of 15
Filename: eMMC.SchDoc		



			Title: GigaZee - RTC, MEMS, SHA, MAC	
			A4	Number: TE0720 TE0720-1QFGO
Date: 2014-03-05		Copyright: 2013 Trenz Electronic GmbH		Page 12 of 15
Filename: SENSOR-RTC.SchDoc				



	Title: GigaZee - B502	
	A4	Number: TE0720 TE0720-1QFGO
	Date: 2014-03-05	Copyright: 2013 Trenz Electronic GmbH
	Page 13	of 15
Filename: PS-DDR.SchDoc		Rev. 02

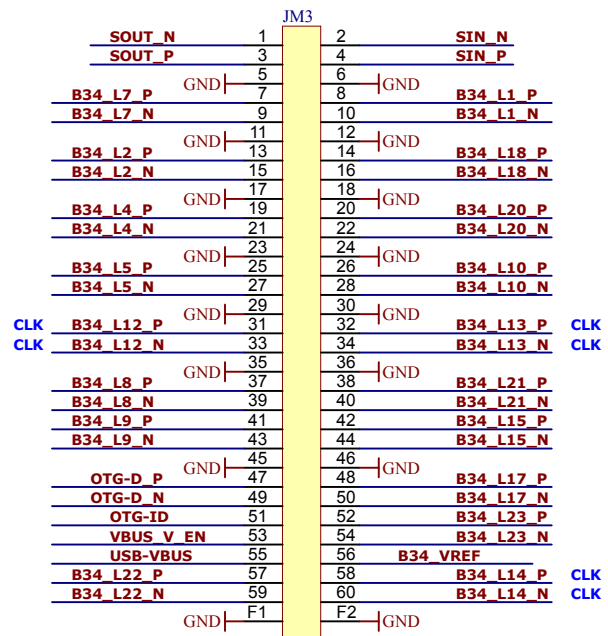
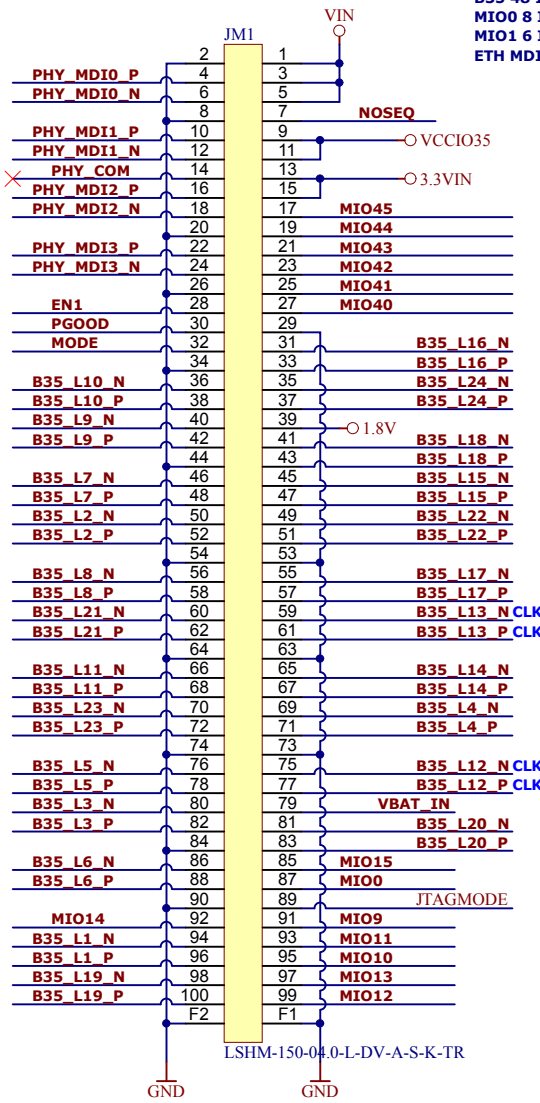


Title: GigaZee - DDR3		
A4	Number: TE0720 TE0720-1QFGO	Rev. 02
Date: 2014-03-05	Copyright: 2013 Trenz Electronic GmbH	Page 14 of 15
Filename: DDR3-RAM.SchDoc		

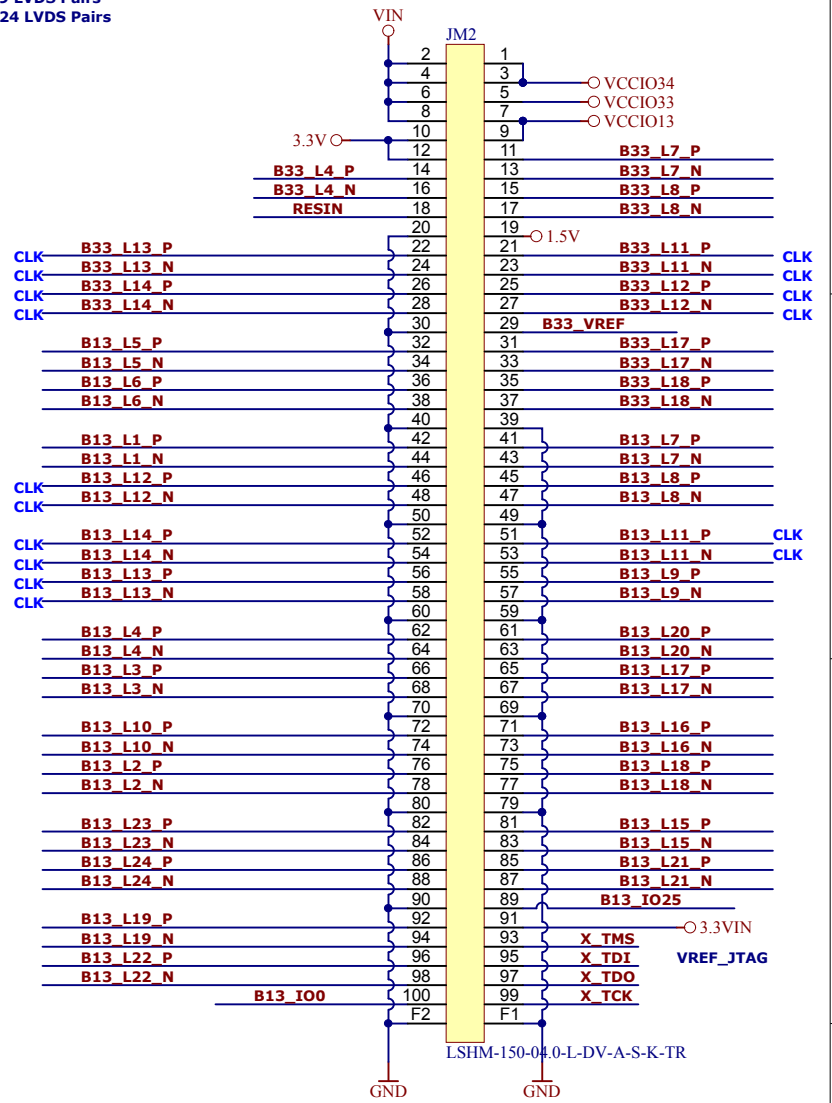
B35 48 IO, 24 LVDS Pairs
 MIO0 8 IO, 3.3V
 MIO1 6 IO 1.8V
 ETH MDI Copper

B34 36 IO, 18 LVDS Pairs
 USB OTG
 ETH SGMII

B33 18 IO, 9 LVDS Pairs
 B13 48 IO, 24 LVDS Pairs
 B13 2 IO



LSHM-130-04-0-L-DV-A-S-K-TR



LSHM-150-04-0-L-DV-A-S-K-TR



Title: GigaZee - B2B Connector		
A4	Number: TE0720 TE0720-1QFGO	Rev. 02
Date: 2014-03-05	Copyright: 2013 Trenz Electronic GmbH	Page 15 of 15
Filename: B2B-Connectors.SchDoc		