

| | |
|-----------------------|-------------------------|
| U_B2B-Connectors | U_FPGA-MISC |
| B2B-Connectors.SchDoc | FPGA-MISC.SchDoc |
| U_B13 | U_FPGA-PWR |
| B13.SchDoc | FPGA-PWR.SchDoc |
| U_B33-B34 | U_MIO-BANKS |
| B33-B34.SchDoc | MIO-BANKS.SchDoc |
| U_B35 | U_PS-DDR |
| B35.SchDoc | PS-DDR.SchDoc |
| U_DDR3-RAM | U_SENSOR-RTC |
| DDR3-RAM.SchDoc | SENSOR-RTC.SchDoc |
| U_eMMC | U_SystemController |
| eMMC.SchDoc | SystemController.SchDoc |
| U_ETH-PHY | U_USB-PHY |
| ETH-PHY.SchDoc | USB-PHY.SchDoc |

A

B

C

D

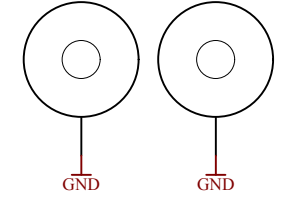
A

B

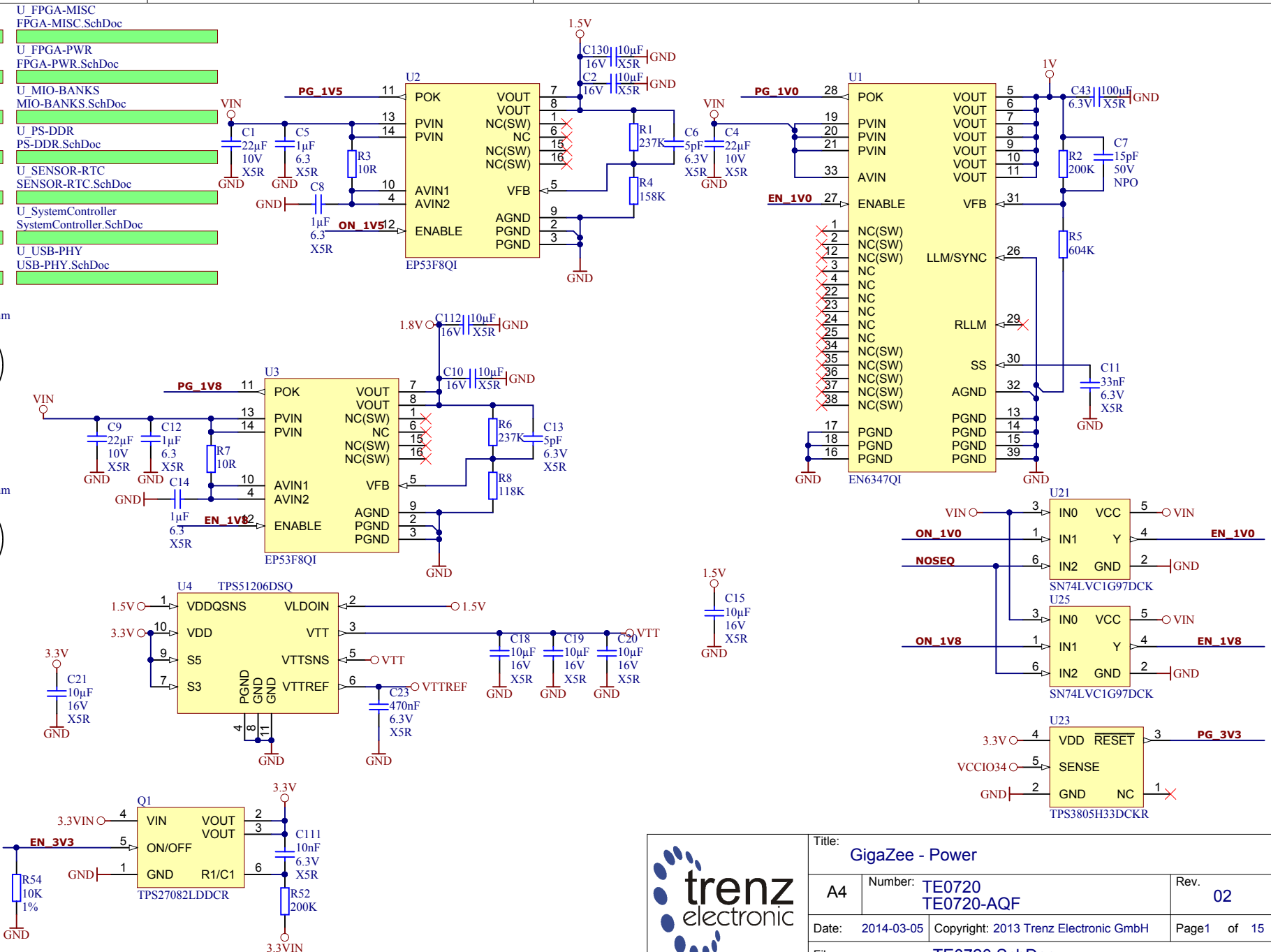
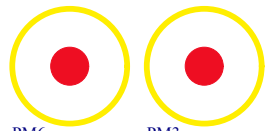
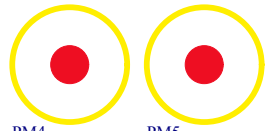
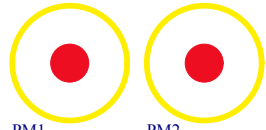
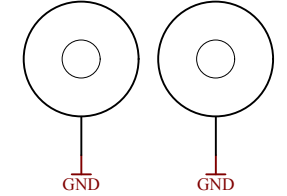
C

D

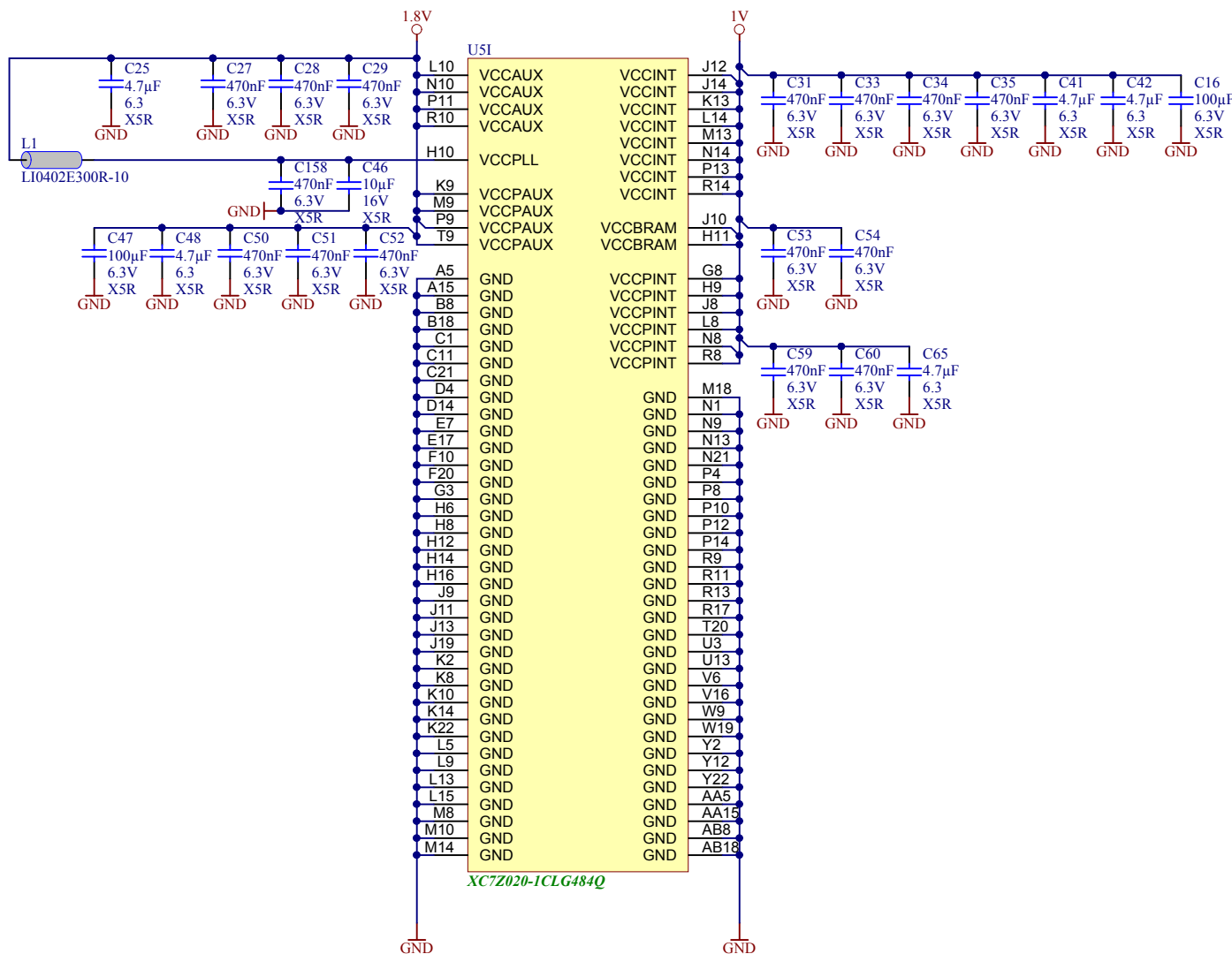
Mount.Hole 3.2mm Mount.Hole 3.2mm



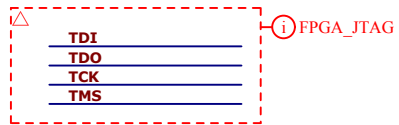
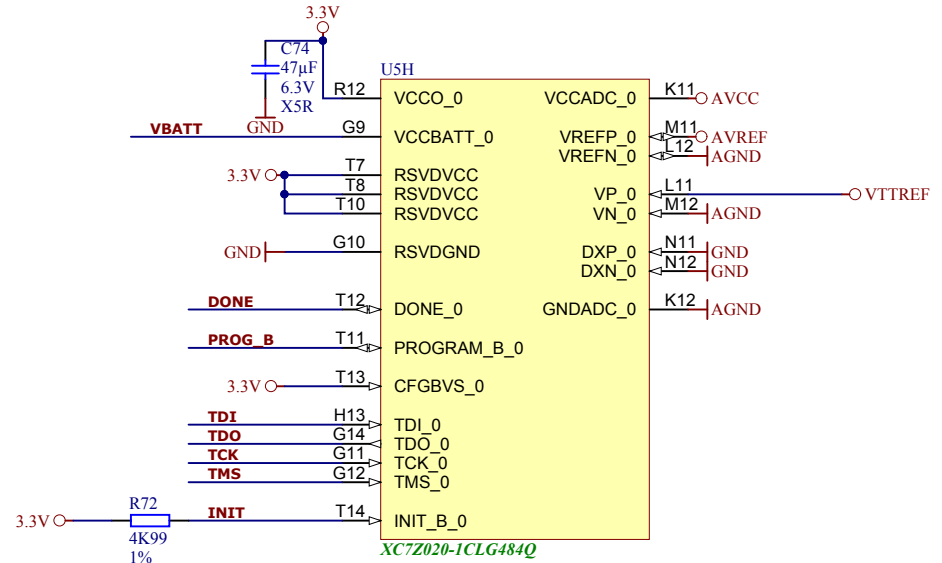
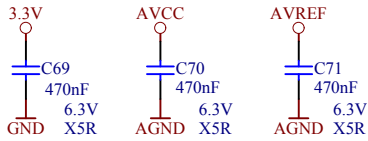
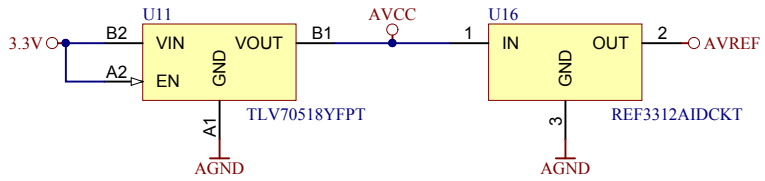
Mount.Hole 3.2mm Mount.Hole 3.2mm



| | | |
|-------------------------|---------------------------------------|-------------|
| Title: GigaZee - Power | | |
| A4 | Number: TE0720 TE0720-AQF | Rev. 02 |
| Date: 2014-03-05 | Copyright: 2013 Trenz Electronic GmbH | Page1 of 15 |
| Filename: TE0720.SchDoc | | |

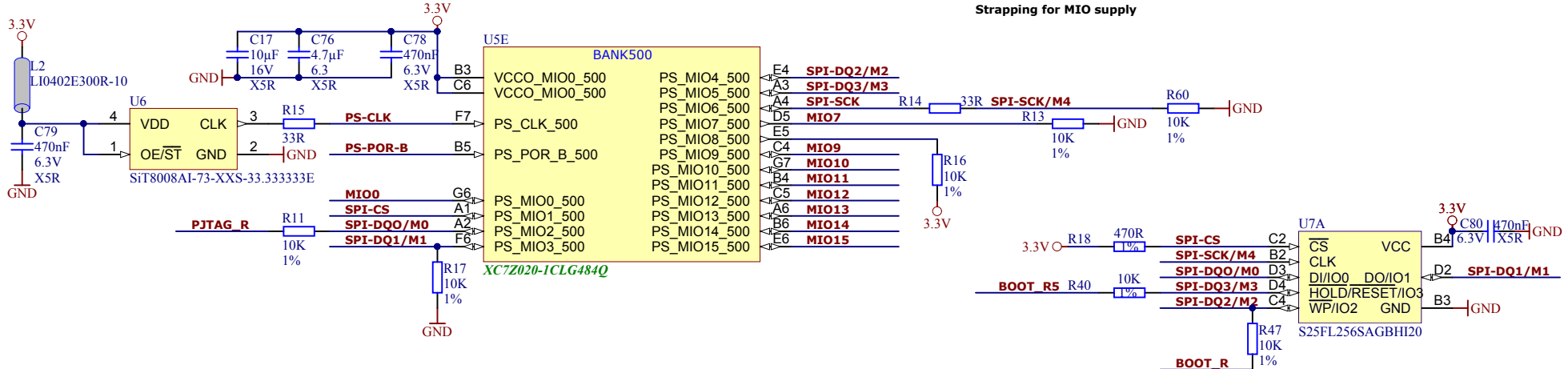



| | | |
|-----------------------------|---------------------------------------|-------------|
| Title: GigaZee - FPGA Power | | |
| A4 | Number: TE0720 TE0720-AQF | Rev. 02 |
| Date: 2014-03-05 | Copyright: 2013 Trenz Electronic GmbH | Page2 of 15 |
| Filename: FPGA-PWR.SchDoc | | |



| | | | |
|--|----------------------------|---------------------------------------|--------------|
| | Title: GigaZee - B0 | | |
| | A4 | Number: TE0720 TE0720-AQF | Rev. 02 |
| | Date: 2014-03-05 | Copyright: 2013 Trenz Electronic GmbH | Page 3 of 15 |
| | Filename: FPGA-MISC.SchDoc | | |

A



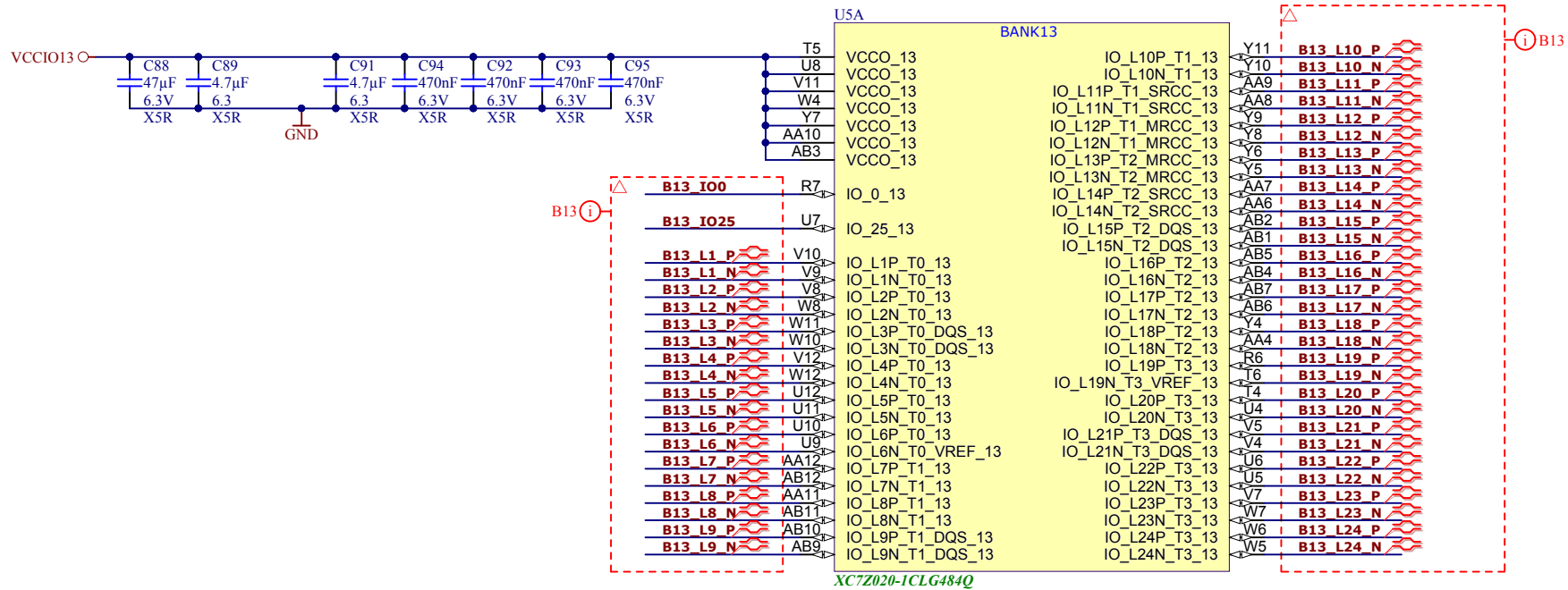
B


C

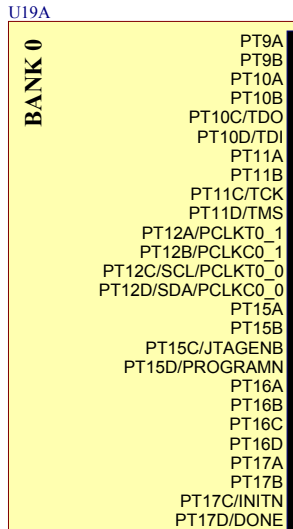
D



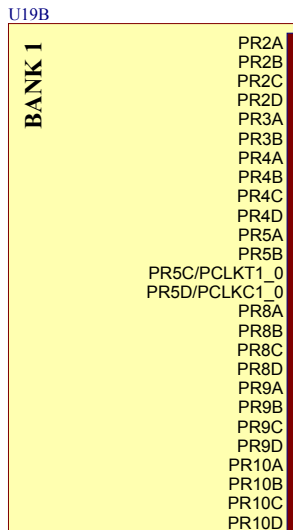
| | | |
|-------------------------------|---------------------------------------|-------------|
| Title: GigaZee - MIO - Config | | |
| A4 | Number: TE0720 TE0720-AQF | Rev. 02 |
| Date: 2014-03-05 | Copyright: 2013 Trenz Electronic GmbH | Page4 of 15 |
| Filename: MIO-BANKS.SchDoc | | |



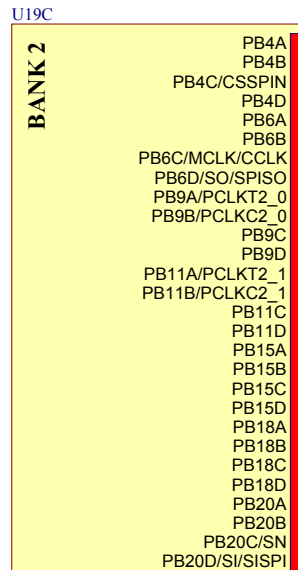
| | | | |
|---|----------------------|---------------------------------------|-------------|
|  | Title: GigaZee - B13 | | |
| | A4 | Number: TE0720 TE0720-AQF | Rev. 02 |
| | Date: 2014-03-05 | Copyright: 2013 Trenz Electronic GmbH | Page5 of 15 |
| | Filename: B13.SchDoc | | |



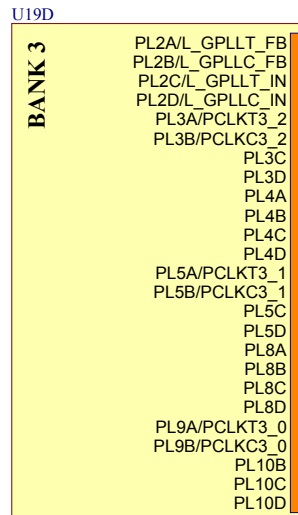
LCMXO2-1200HC-4MG1321



LCMXO2-1200HC-4MG1321

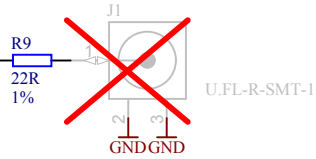
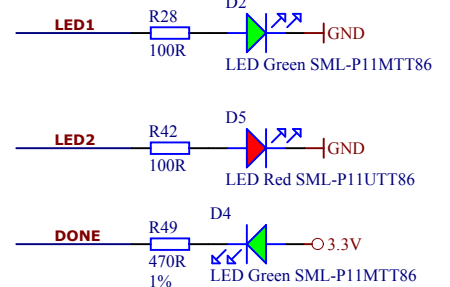
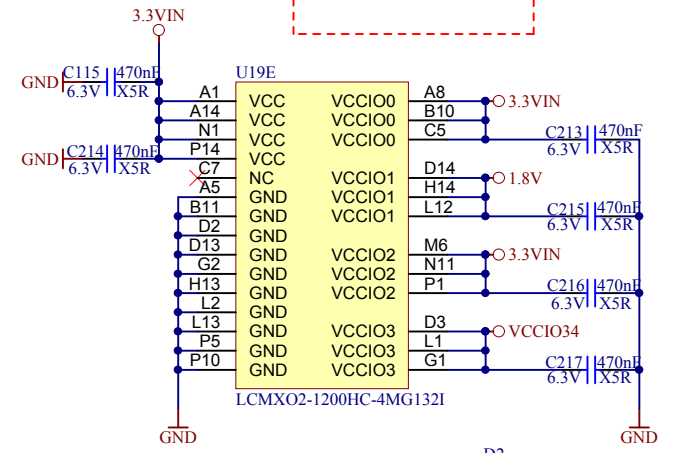
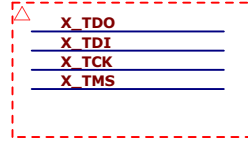


LCMXO2-1200HC-4MG1321



LCMXO2-1200HC-4MG1321

CPLD_3V3



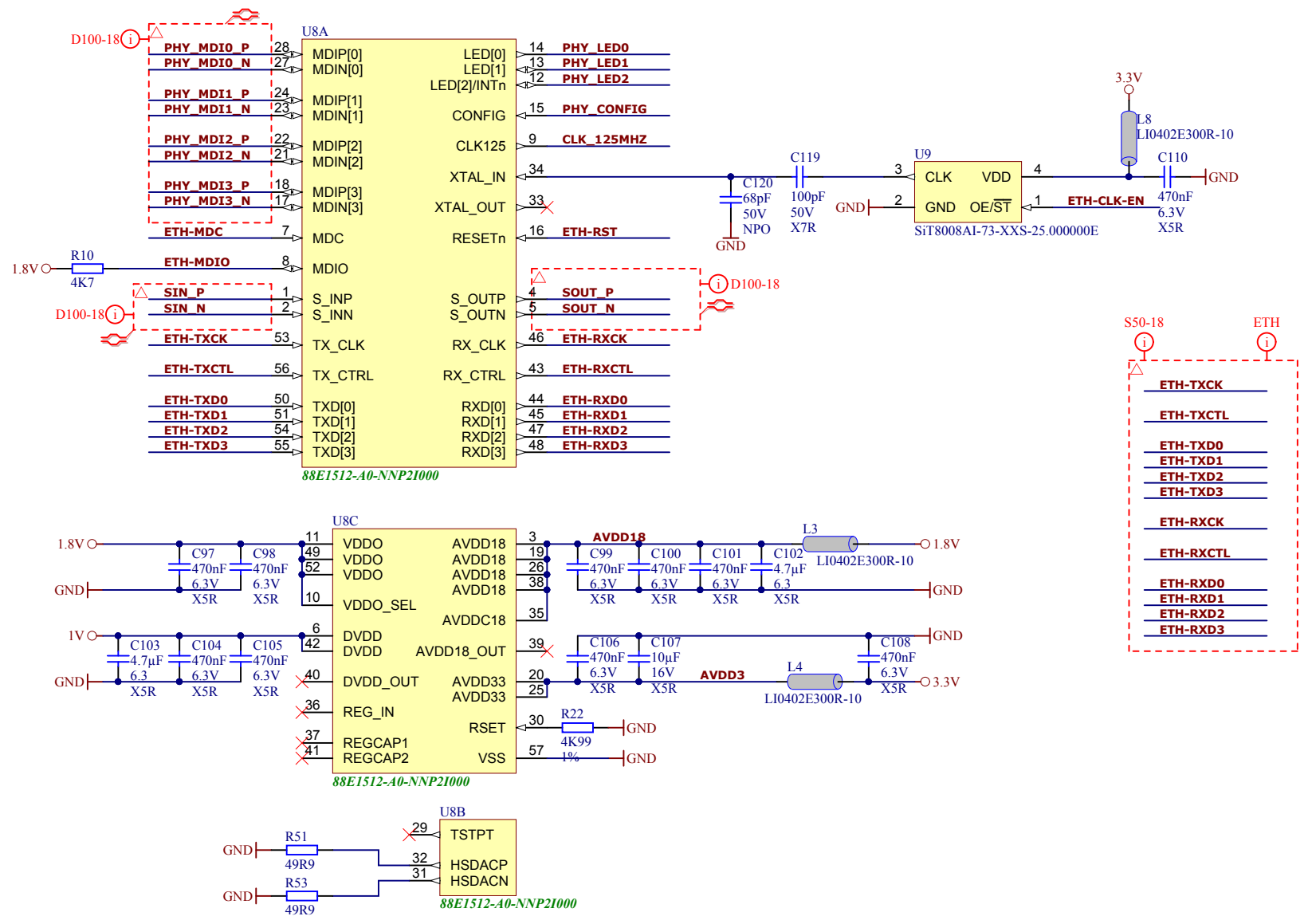
| | | |
|------------------------------------|---------------------------------------|-------------|
| Title: GigaZee - System Controller | | |
| A4 | Number: TE0720 TE0720-AQF | Rev. 02 |
| Date: 2014-03-05 | Copyright: 2013 Trenz Electronic GmbH | Page6 of 15 |
| Filename: SystemController.SchDoc | | |

A

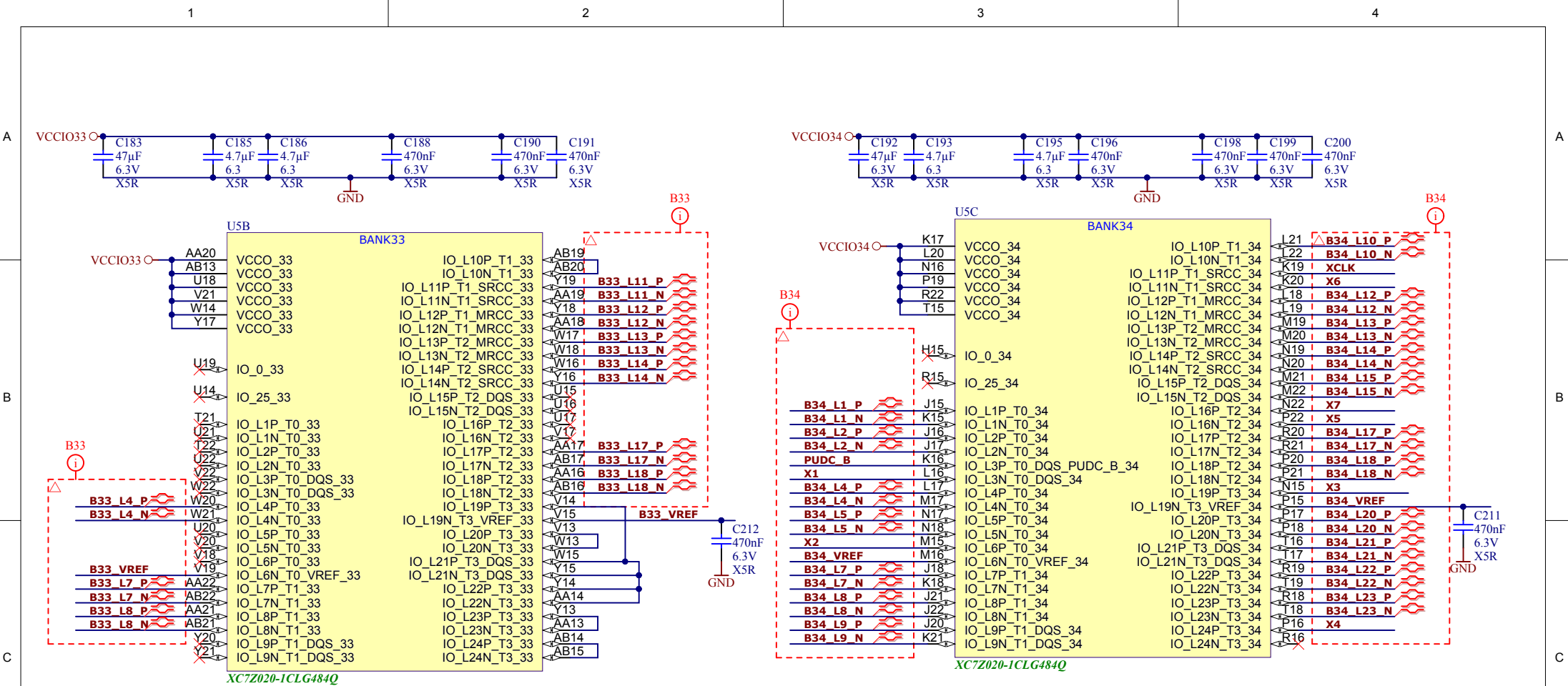
B

C

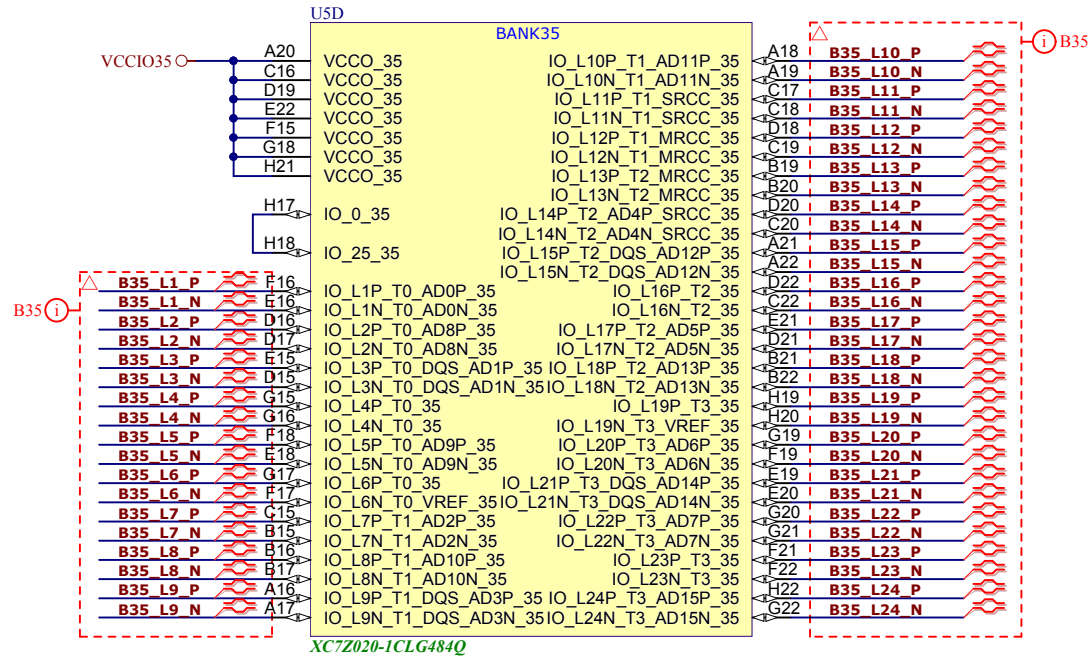
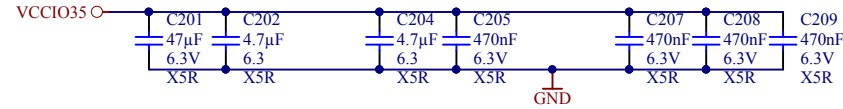
D



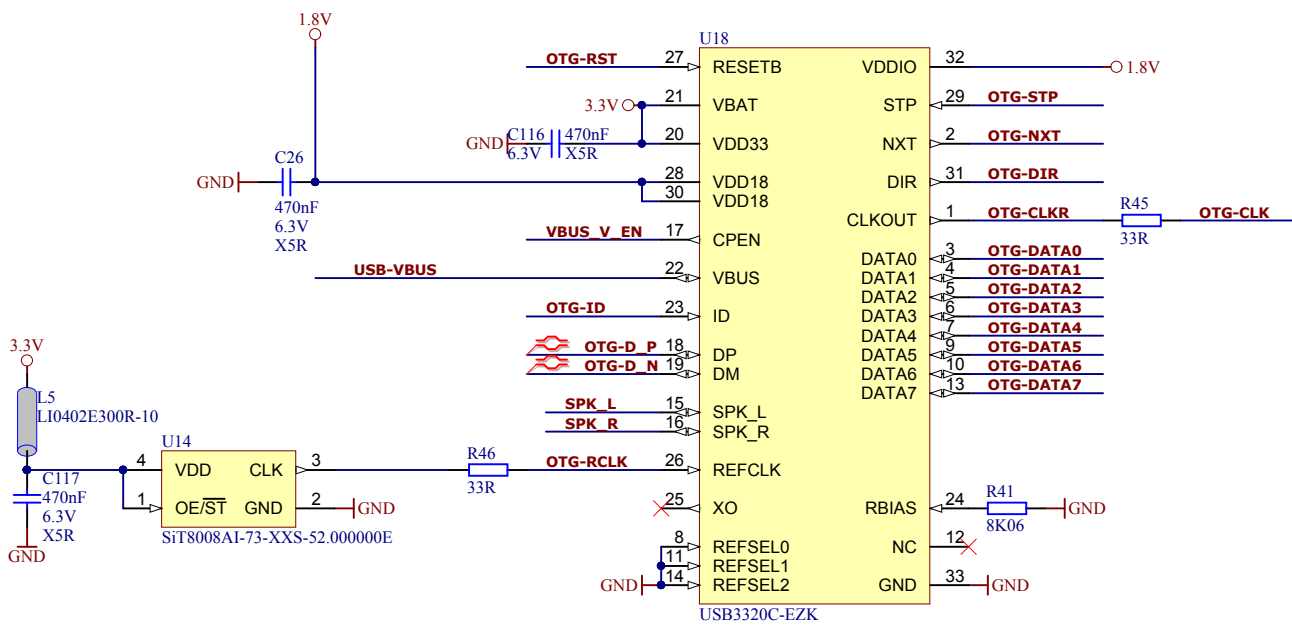
| | | |
|--------------------------|---------------------------|---------------------------------------|
| | Title: GigaZee - Ethernet | |
| | A4 | Number: TE0720 TE0720-AQF |
| | Date: 2014-03-05 | Copyright: 2013 Trenz Electronic GmbH |
| | Page 7 | of 15 |
| Filename: ETH-PHY.SchDoc | | Rev. 02 |



| | | |
|----------------------------|---------------------------------------|-------------|
| Title: GigaZee - B33 - B34 | | |
| A4 | Number: TE0720 TE0720-AQF | Rev. 02 |
| Date: 2014-03-05 | Copyright: 2013 Trenz Electronic GmbH | Page8 of 15 |
| Filename: B33-B34.SchDoc | | |



| | | |
|----------------------|---------------------------------------|-------------|
| Title: GigaZee - B35 | | |
| A4 | Number: TE0720 TE0720-AQF | Rev. 02 |
| Date: 2014-03-05 | Copyright: 2013 Trenz Electronic GmbH | Page9 of 15 |
| Filename: B35.SchDoc | | |



| | | | |
|---|--------------------------|---------------------------------------|---------------|
|  | Title: GigaZee - USB | | |
| | A4 | Number: TE0720 TE0720-AQF | Rev. 02 |
| | Date: 2014-03-05 | Copyright: 2013 Trenz Electronic GmbH | Page 10 of 15 |
| | Filename: USB-PHY.SchDoc | | |

A

B

C

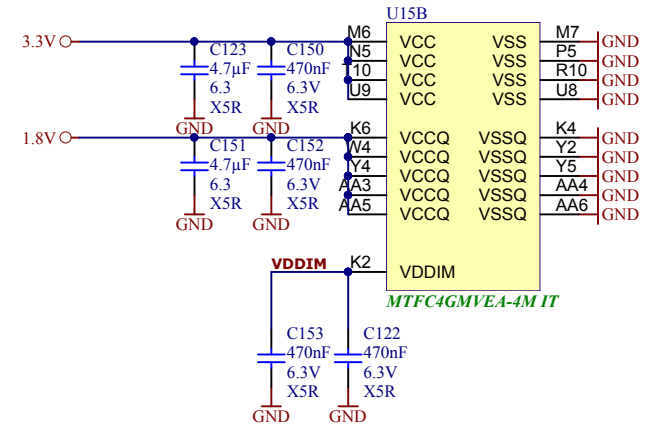
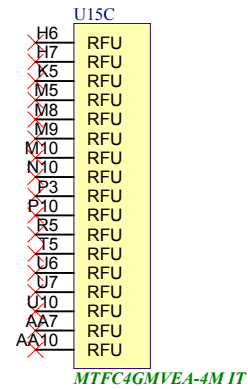
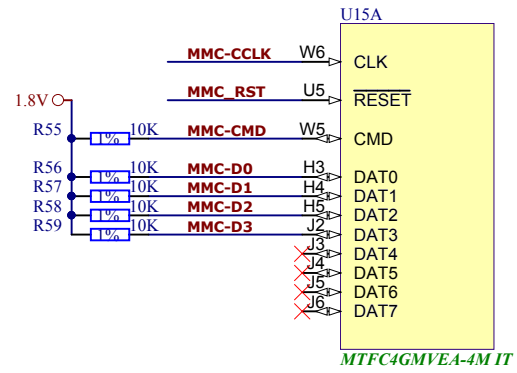
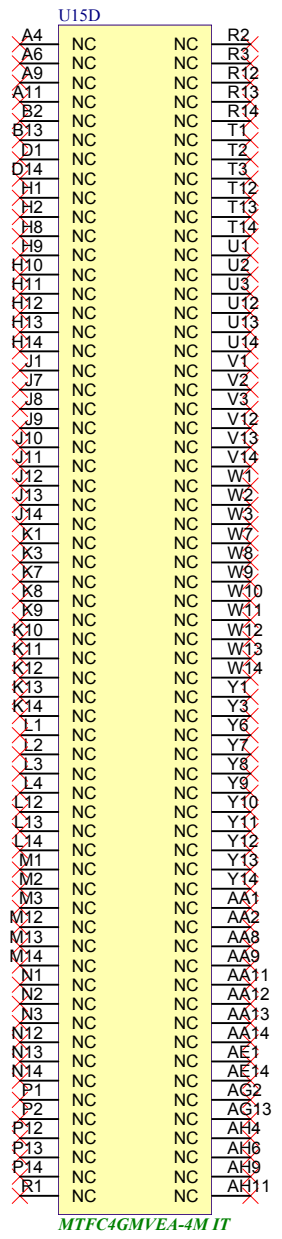
D

A

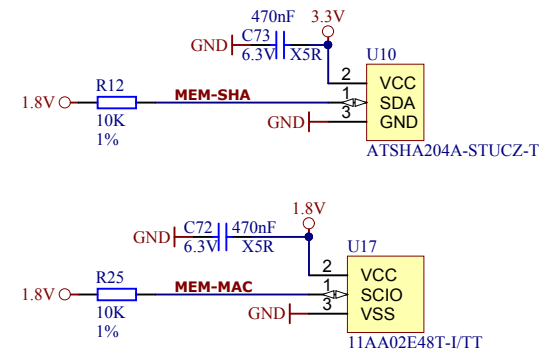
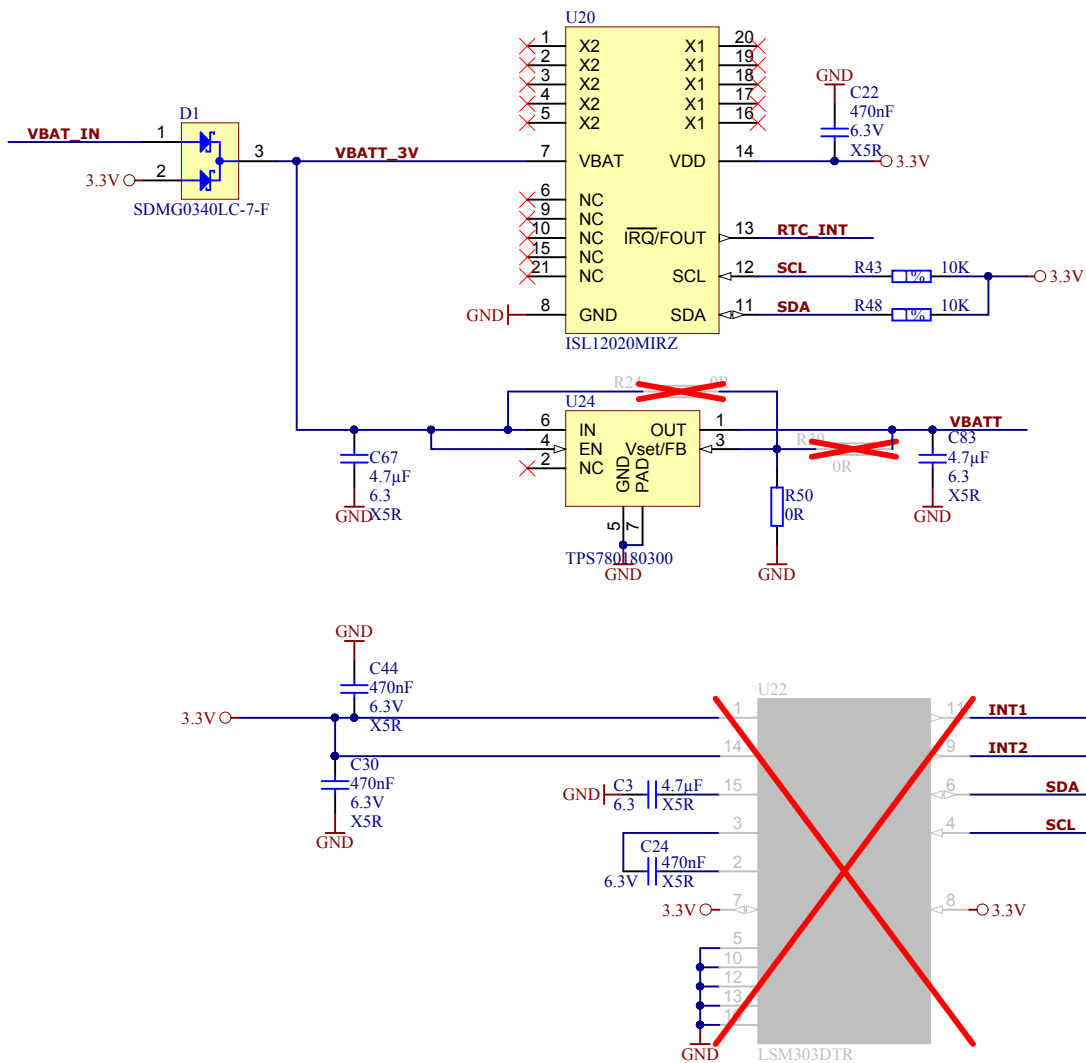
B

C

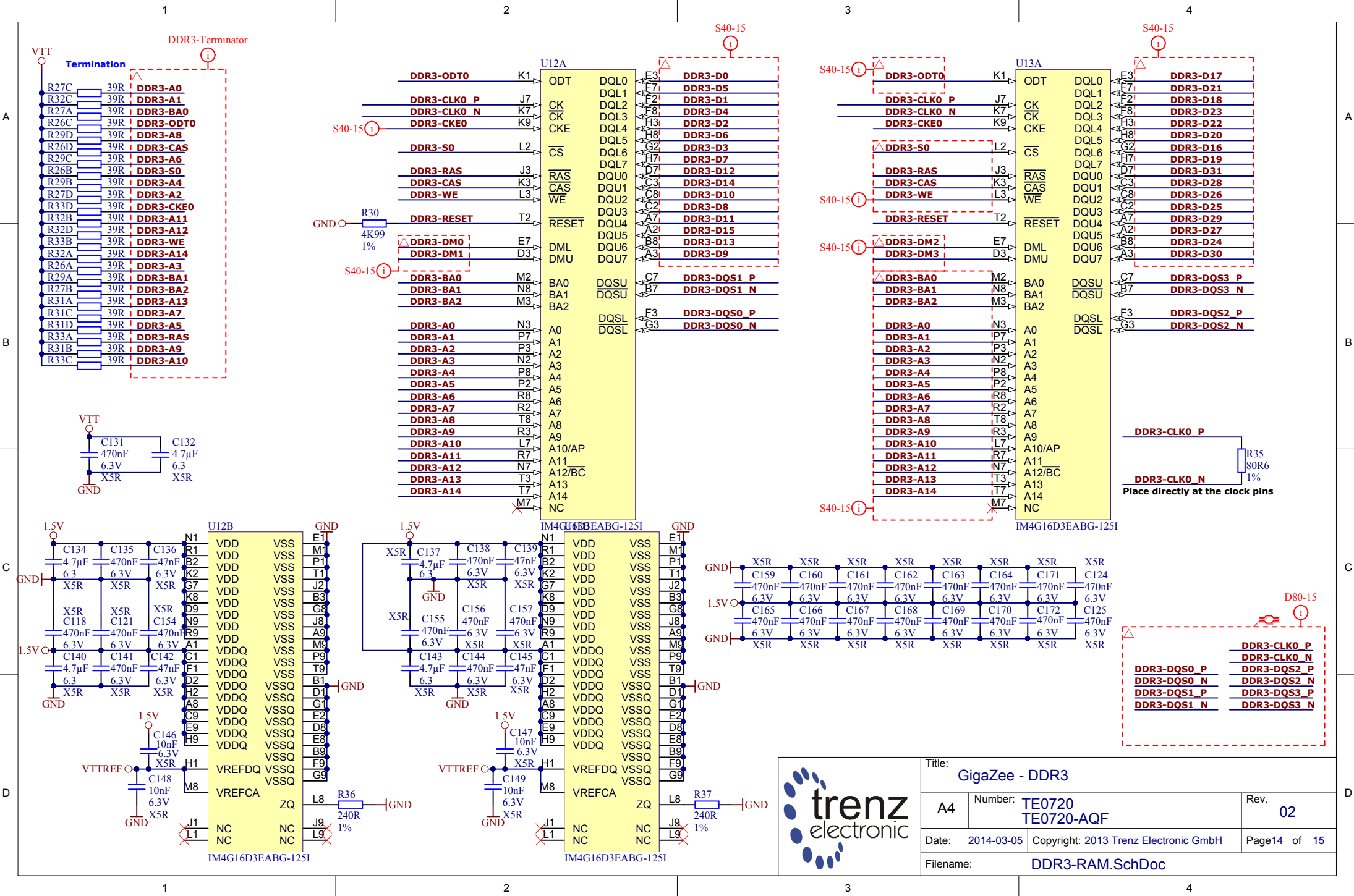
D



| | | |
|------------------------|---------------------------------------|---------------|
| Title: GigaZee - eNAND | | |
| A4 | Number: TE0720 TE0720-AQF | Rev. 02 |
| Date: 2014-03-05 | Copyright: 2013 Trenz Electronic GmbH | Page 11 of 15 |
| Filename: eMMC.SchDoc | | |



| | | |
|--------------------------------------|---------------------------------------|---------------|
| Title: GigaZee - RTC, MEMS, SHA, MAC | | |
| A4 | Number: TE0720 TE0720-AQF | Rev. 02 |
| Date: 2014-03-05 | Copyright: 2013 Trenz Electronic GmbH | Page 12 of 15 |
| Filename: SENSOR-RTC.SchDoc | | |

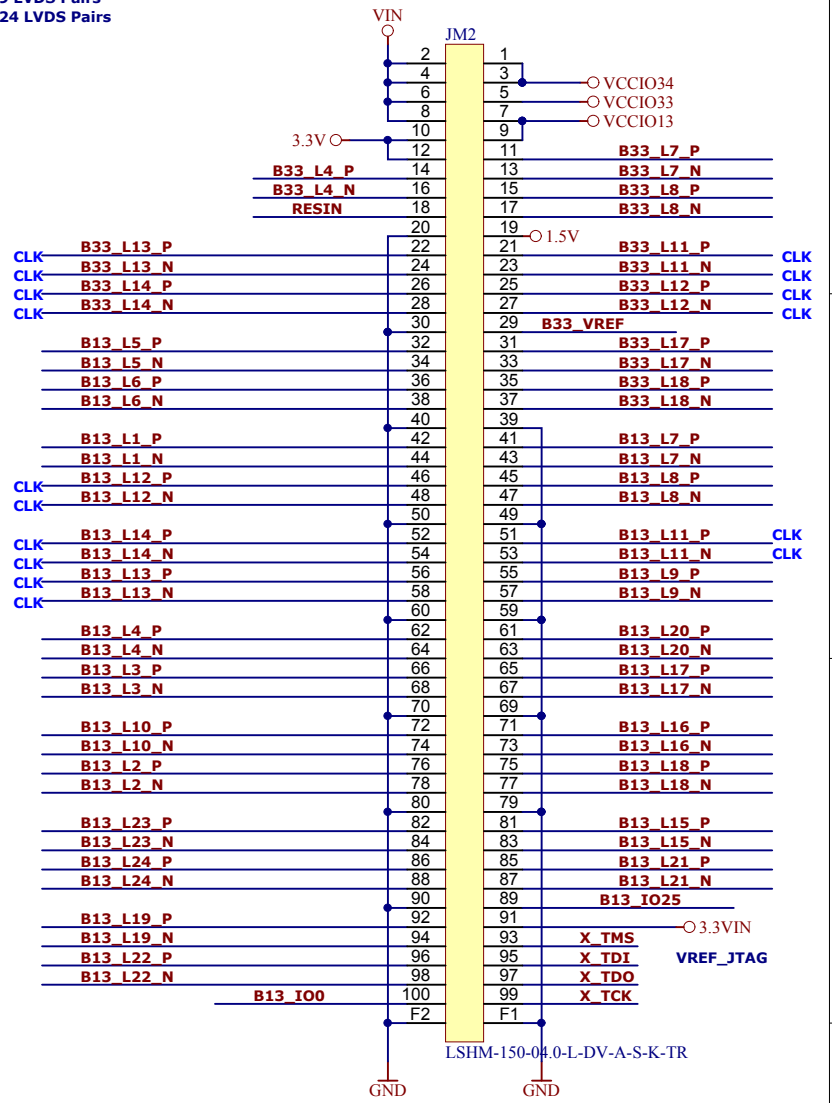
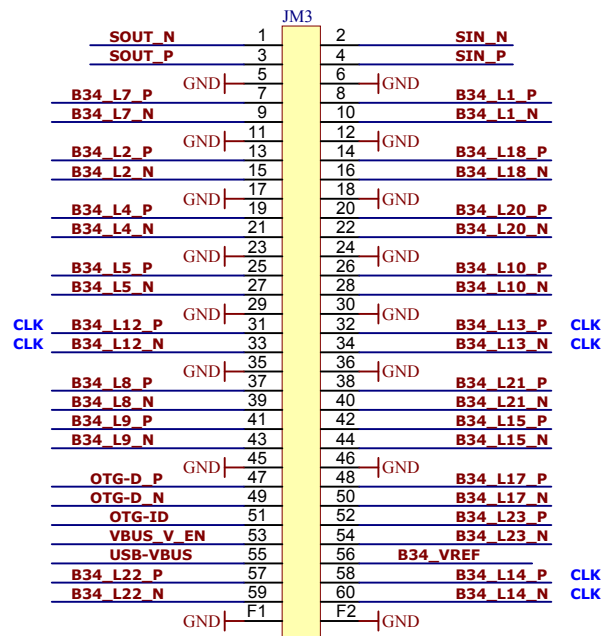
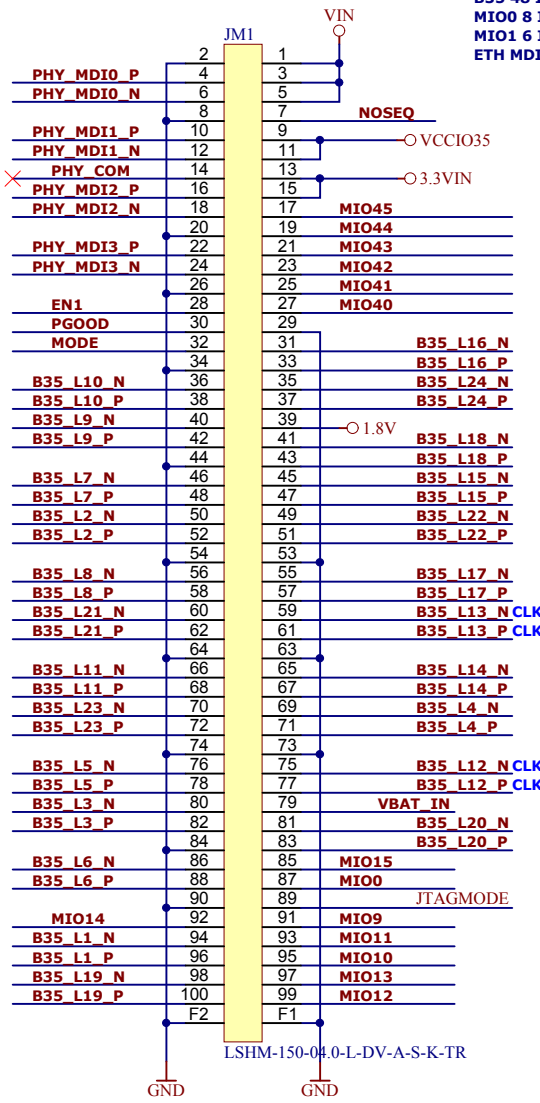


| | | |
|---------------------------|---------------------------------------|---------------|
| Title: GigaZee - DDR3 | | |
| A4 | Number: TE0720 TE0720-AQF | Rev. 02 |
| Date: 2014-03-05 | Copyright: 2013 Trenz Electronic GmbH | Page 14 of 15 |
| Filename: DDR3-RAM.SchDoc | | |

B35 48 IO, 24 LVDS Pairs
 MIO0 8 IO, 3.3V
 MIO1 6 IO 1.8V
 ETH MDI Copper

B34 36 IO, 18 LVDS Pairs
 USB OTG
 ETH SGMII

B33 18 IO, 9 LVDS Pairs
 B13 48 IO, 24 LVDS Pairs
 B13 2 IO



| | | |
|---------------------------------|---------------------------------------|---------------|
| Title: GigaZee - B2B Connector | | |
| A4 | Number: TE0720 TE0720-AQF | Rev. 02 |
| Date: 2014-03-05 | Copyright: 2013 Trenz Electronic GmbH | Page 15 of 15 |
| Filename: B2B-Connectors.SchDoc | | |