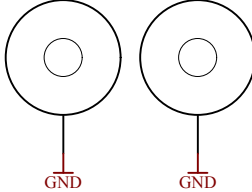
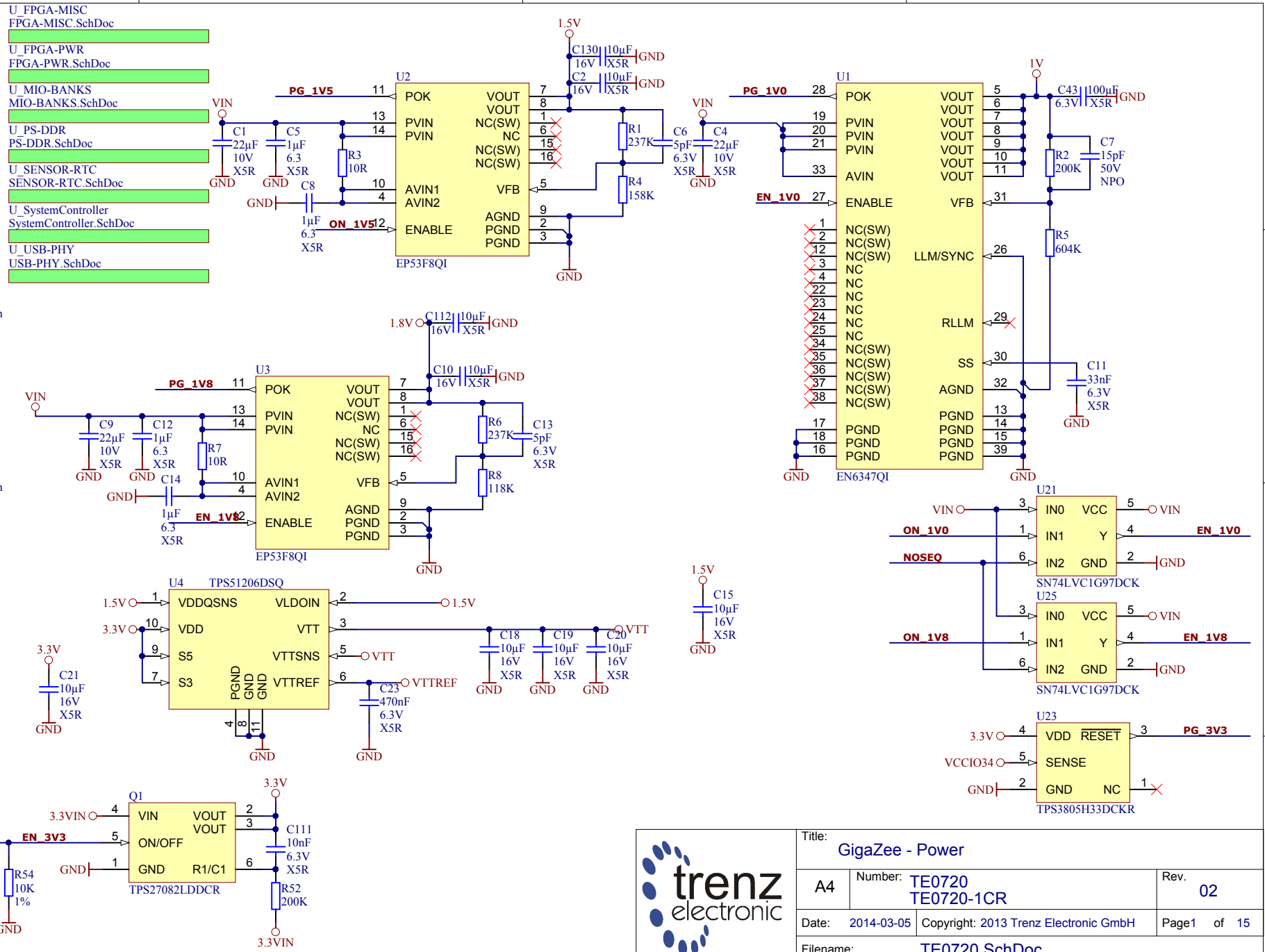
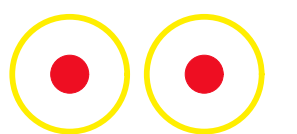
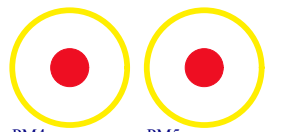
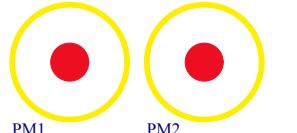
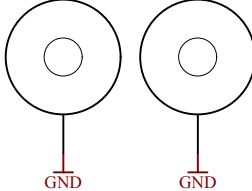


U_B2B-Connectors	U_FPGA-MISC
B2B-Connectors.SchDoc	FPGA-MISC.SchDoc
U_B13	U_FPGA-PWR
B13.SchDoc	FPGA-PWR.SchDoc
U_B33-B34	U_MIO-BANKS
B33-B34.SchDoc	MIO-BANKS.SchDoc
U_B35	U_PS-DDR
B35.SchDoc	PS-DDR.SchDoc
U_DDR3-RAM	U_SENSOR-RTC
DDR3-RAM.SchDoc	SENSOR-RTC.SchDoc
U_eMMC	U_SystemController
eMMC.SchDoc	SystemController.SchDoc
U_ETH-PHY	U_USB-PHY
ETH-PHY.SchDoc	USB-PHY.SchDoc

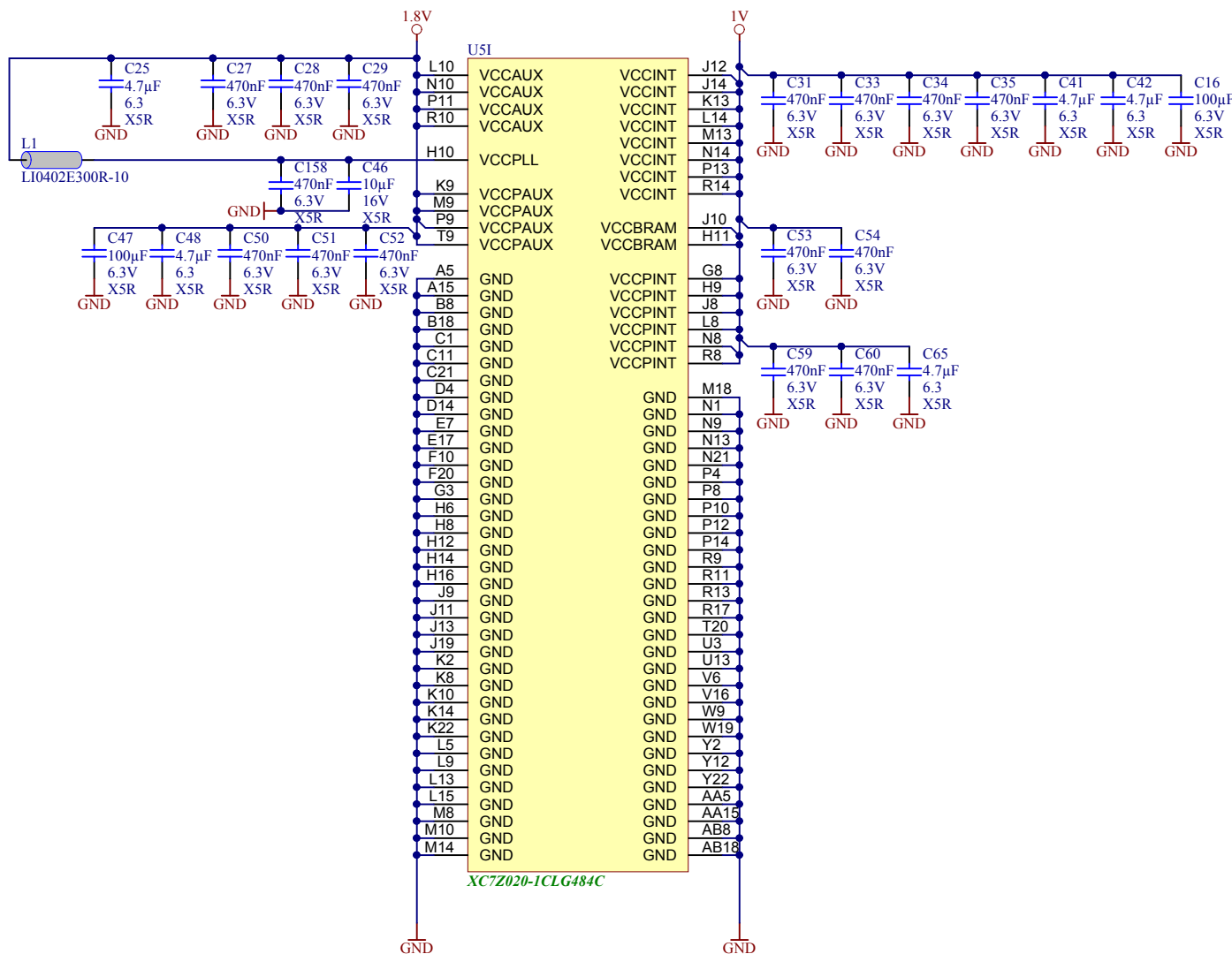
Mount.Hole 3.2mm Mount.Hole 3.2mm



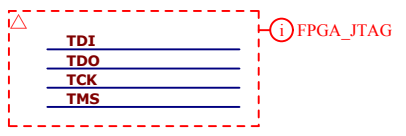
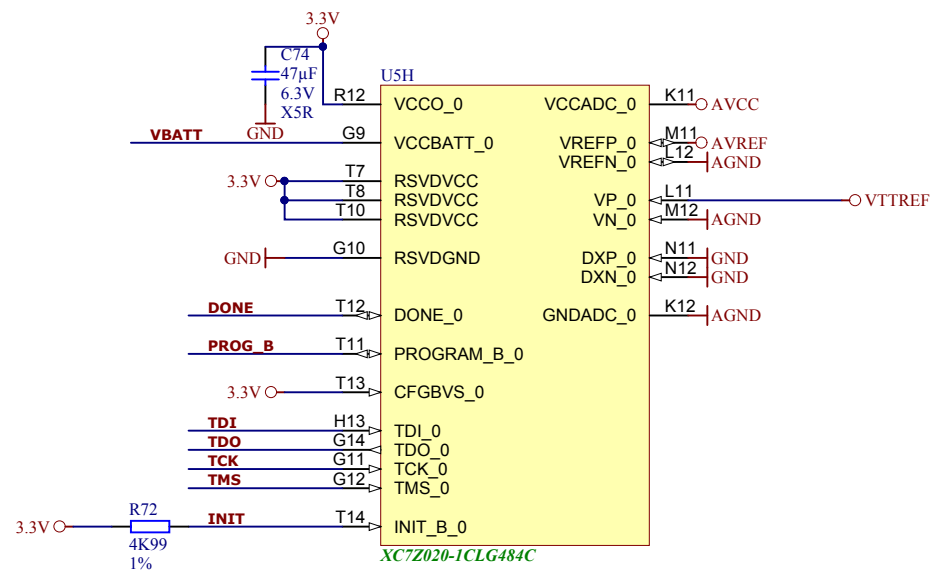
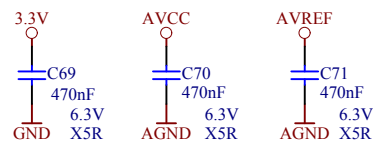
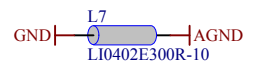
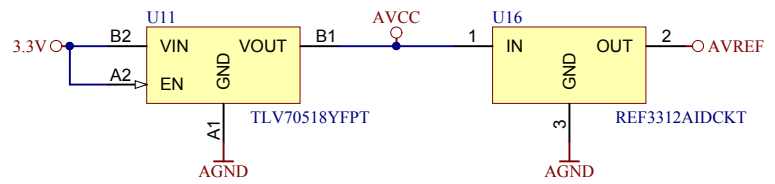
Mount.Hole 3.2mm Mount.Hole 3.2mm



Title: GigaZee - Power		
A4	Number: TE0720 TE0720-1CR	Rev. 02
Date: 2014-03-05	Copyright: 2013 Trenz Electronic GmbH	Page1 of 15
Filename: TE0720.SchDoc		

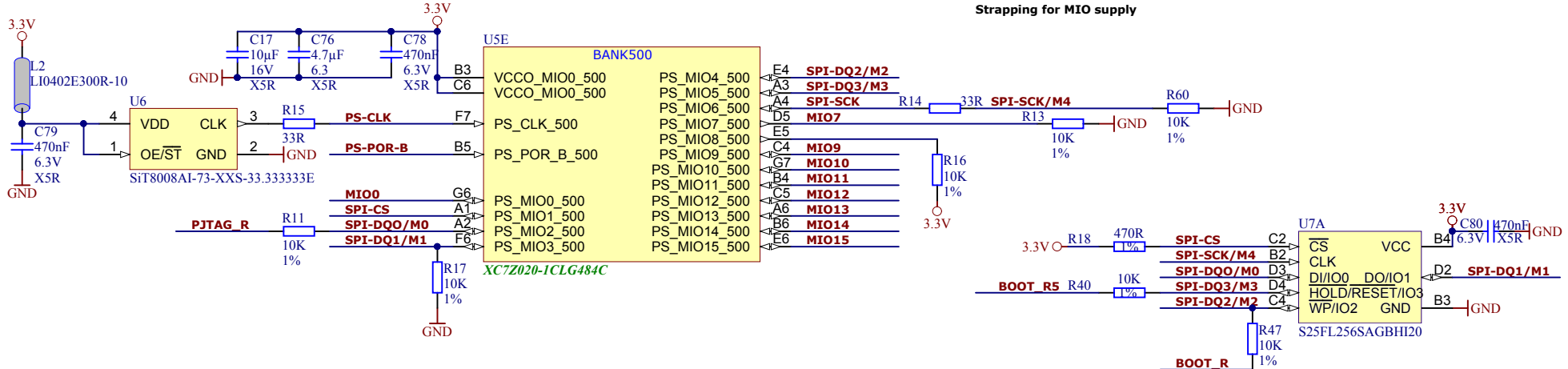



Title: GigaZee - FPGA Power		
A4	Number: TE0720 TE0720-1CR	Rev. 02
Date: 2014-03-05	Copyright: 2013 Trenz Electronic GmbH	Page2 of 15
Filename: FPGA-PWR.SchDoc		



	Title: GigaZee - B0		
	A4	Number: TE0720 TE0720-1CR	Rev. 02
	Date: 2014-03-05	Copyright: 2013 Trenz Electronic GmbH	Page3 of 15
	Filename: FPGA-MISC.SchDoc		

A

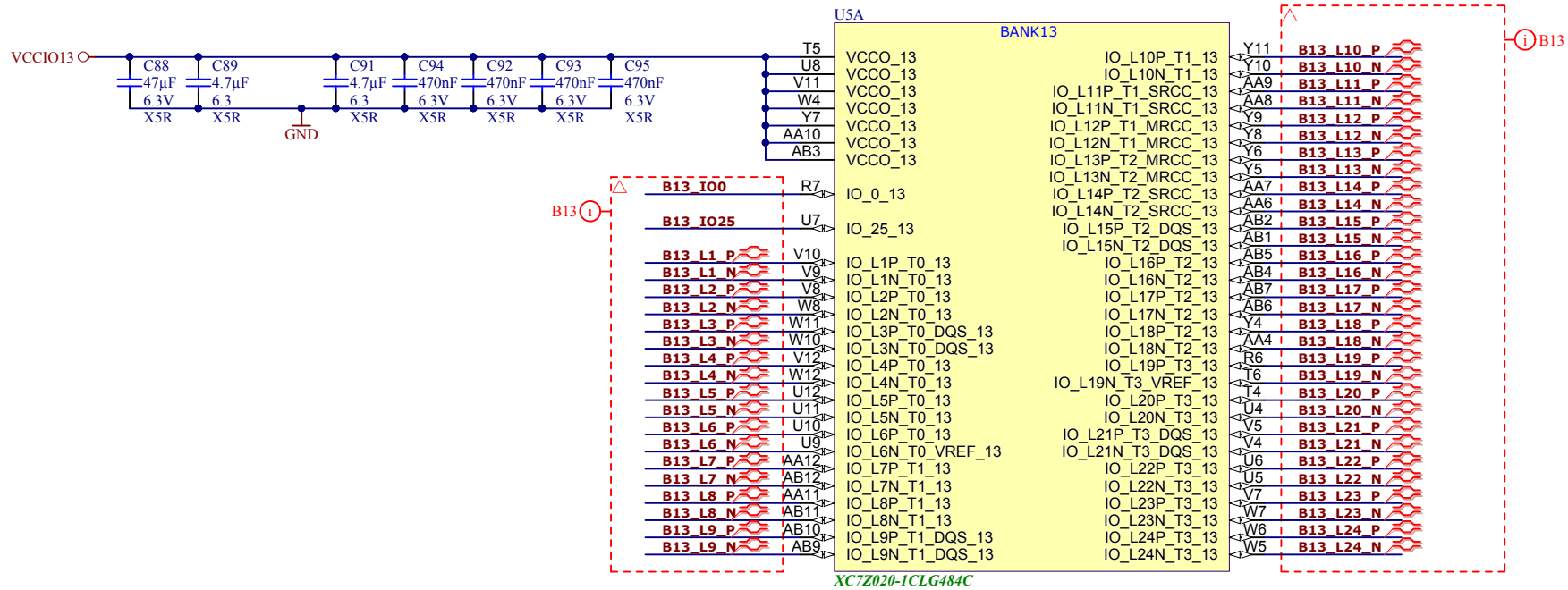



B

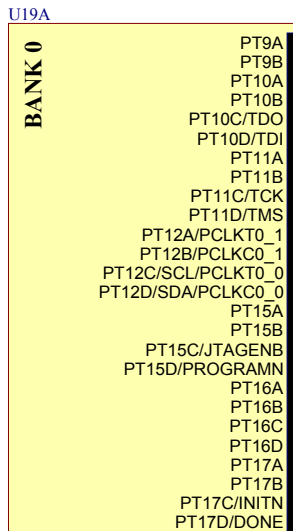
C

D

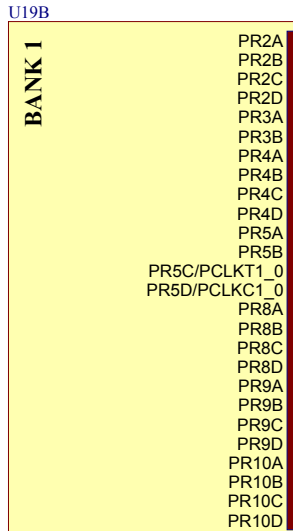
		Title: GigaZee - MIO - Config	
		A4	Number: TE0720 TE0720-1CR
Date: 2014-03-05		Copyright: 2013 Trenz Electronic GmbH	
Filename: MIO-BANKS.SchDoc		Page 4 of 15	



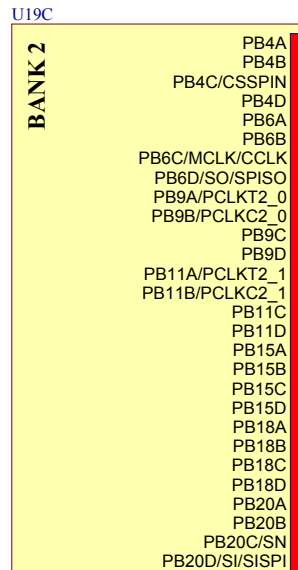
	Title: GigaZee - B13		
	A4	Number: TE0720 TE0720-1CR	Rev. 02
	Date: 2014-03-05	Copyright: 2013 Trenz Electronic GmbH	Page 5 of 15
	Filename: B13.SchDoc		



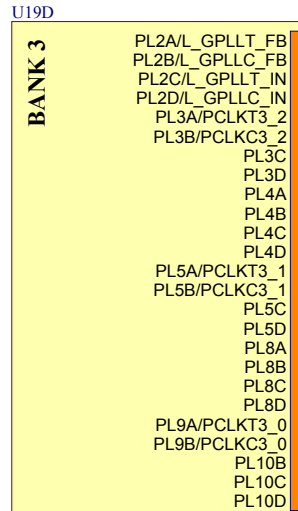
LCMX02-1200HC-4MG1321



LCMX02-1200HC-4MG1321

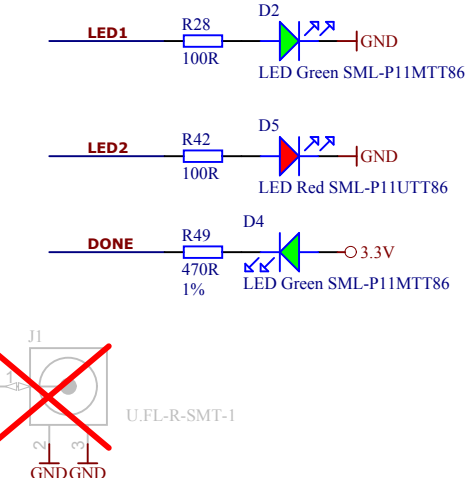
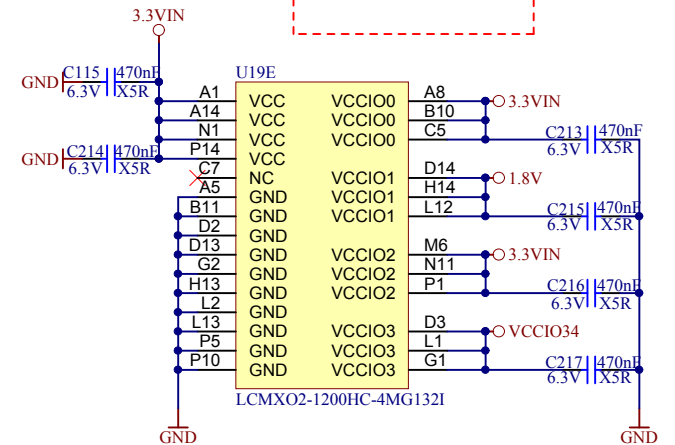
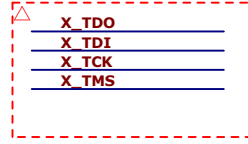


LCMX02-1200HC-4MG1321



LCMX02-1200HC-4MG1321

CPLD_3V3



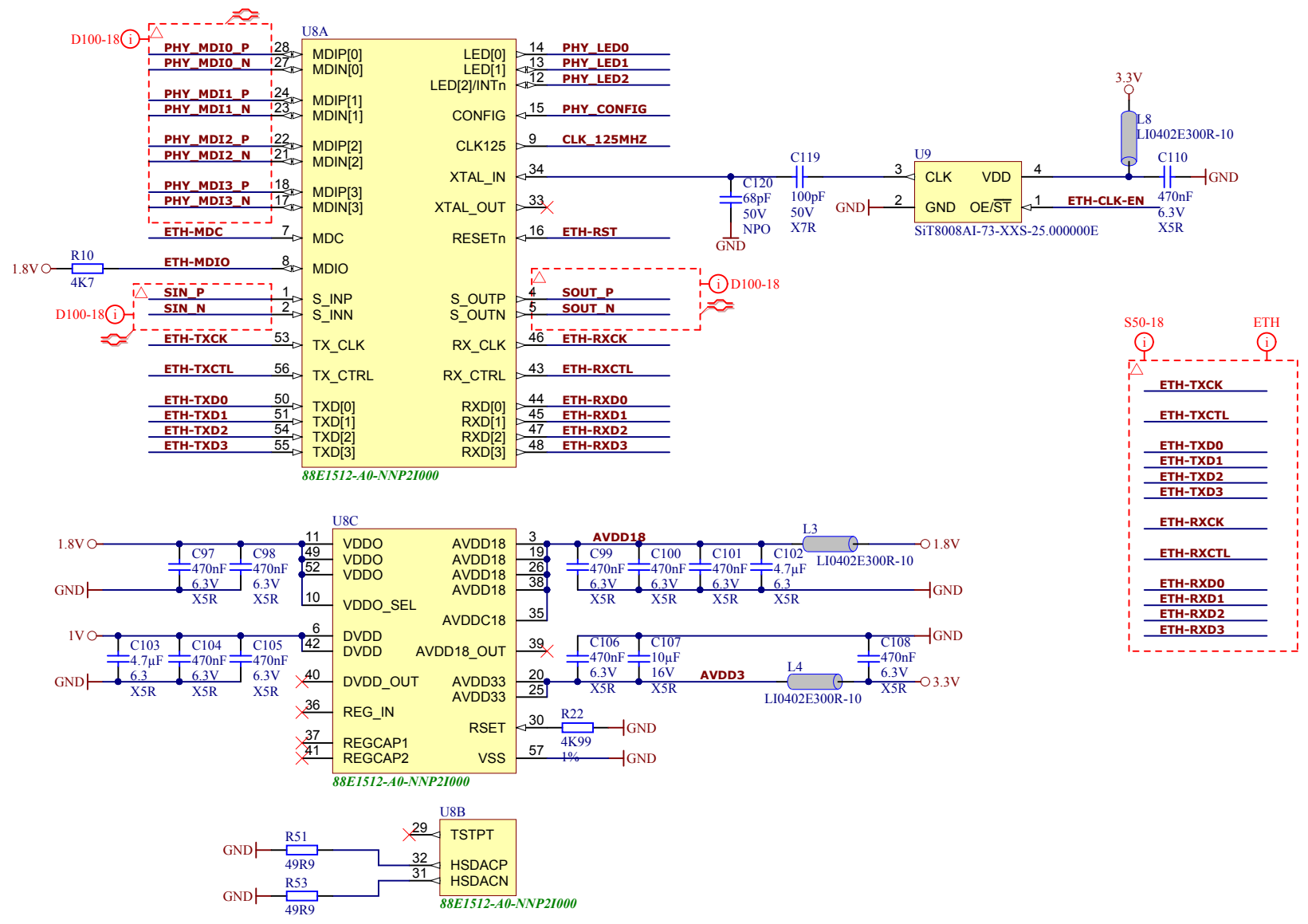
Title: GigaZee - System Controller		
A4	Number: TE0720 TE0720-1CR	Rev. 02
Date: 2014-03-05	Copyright: 2013 Trenz Electronic GmbH	Page6 of 15
Filename: SystemController.SchDoc		

A

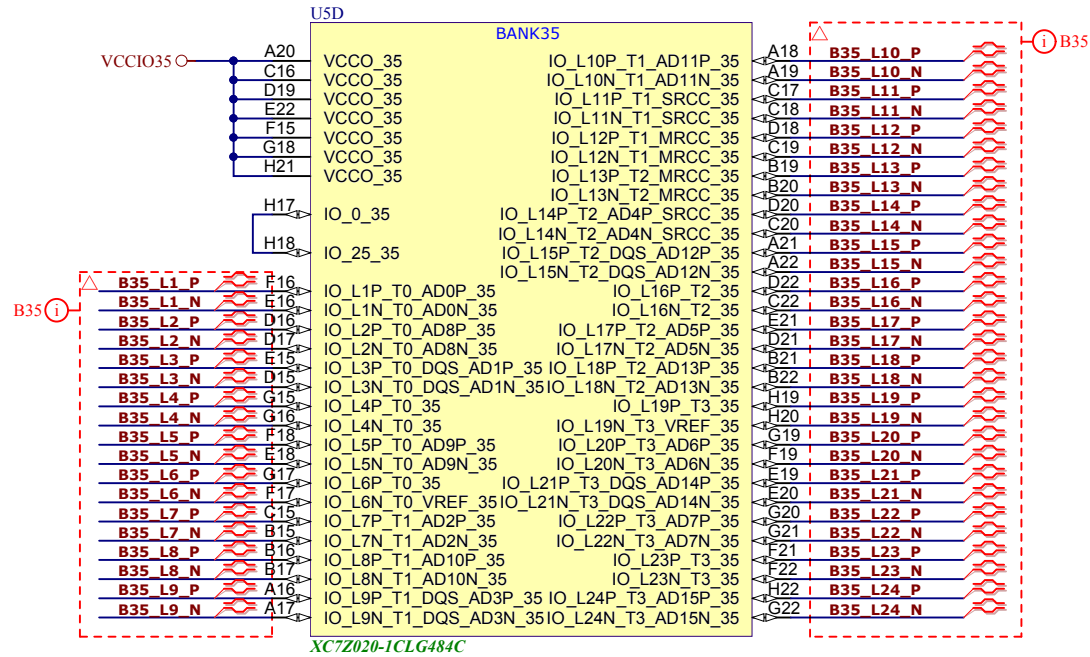
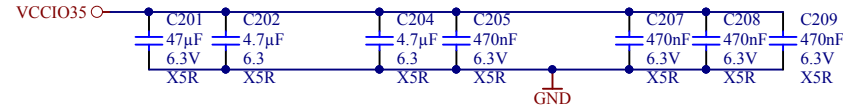
B

C

D



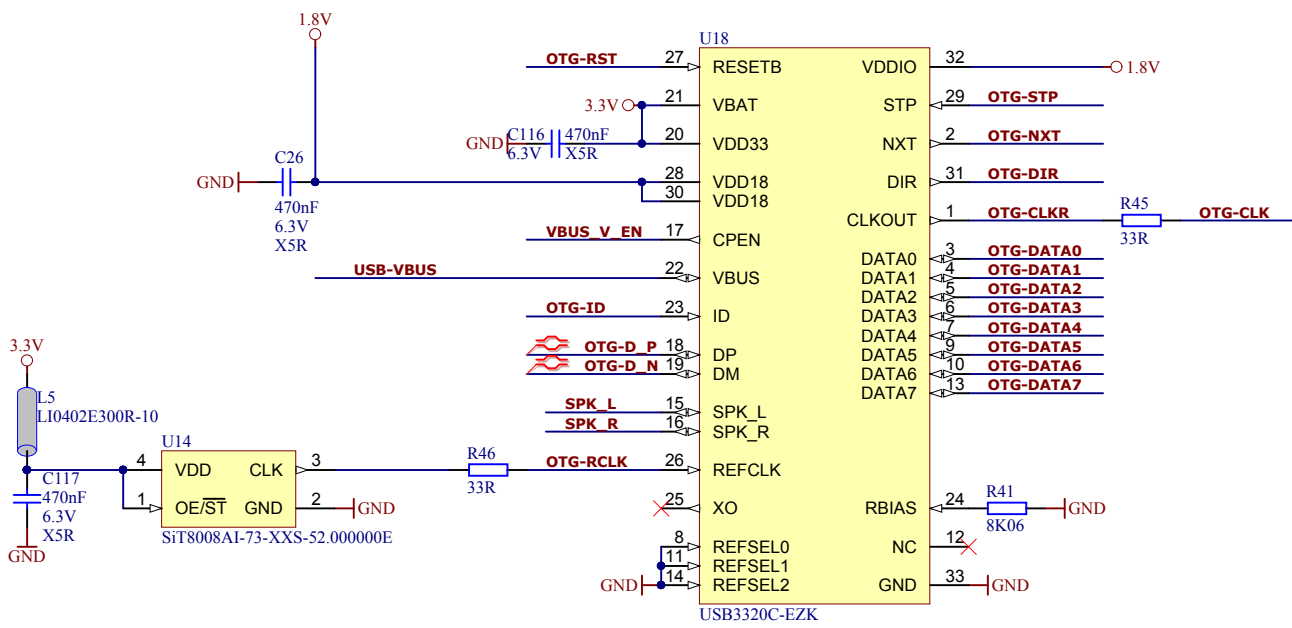
	Title: GigaZee - Ethernet	
	A4	Number: TE0720 TE0720-1CR
	Date: 2014-03-05	Copyright: 2013 Trenz Electronic GmbH
	Page 7	of 15
Filename: ETH-PHY.SchDoc		Rev. 02



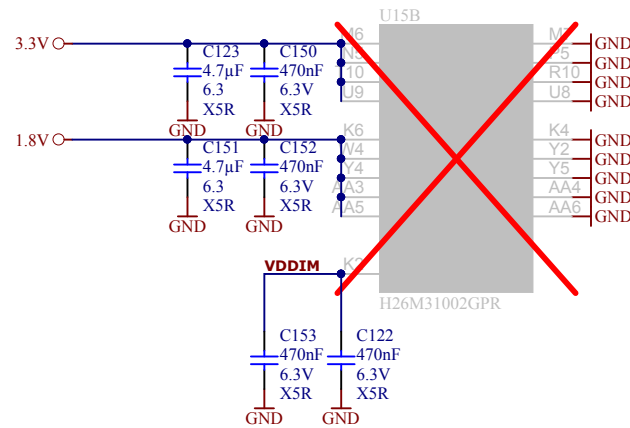
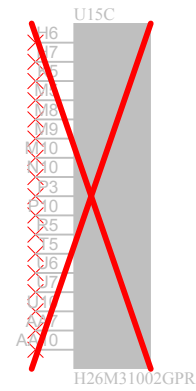
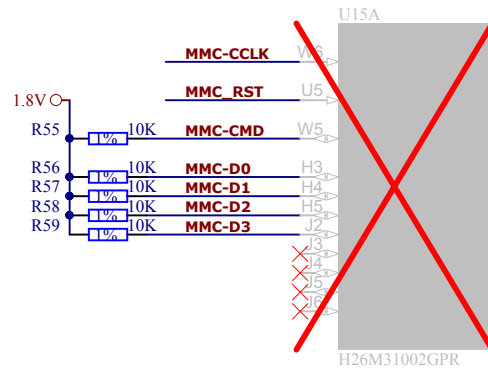
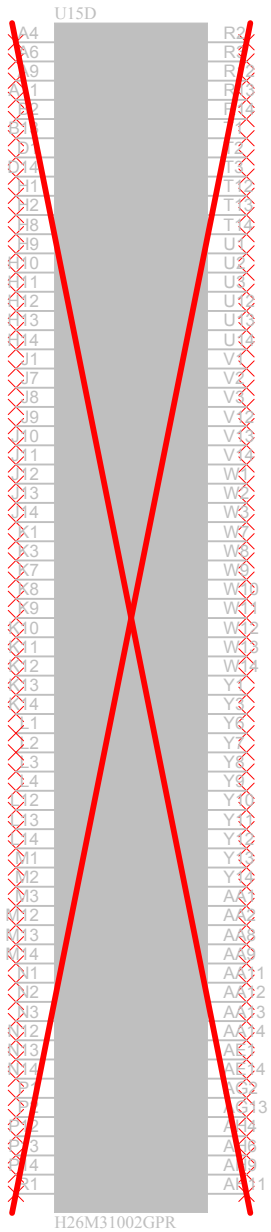
XC7Z020-1CLG484C



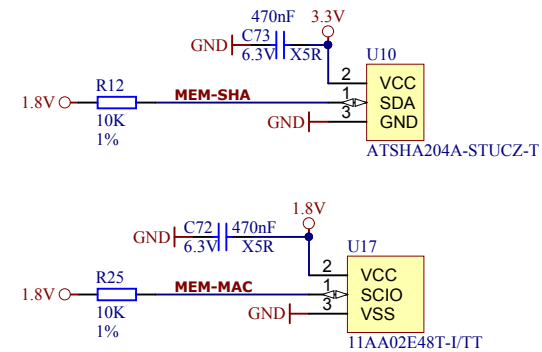
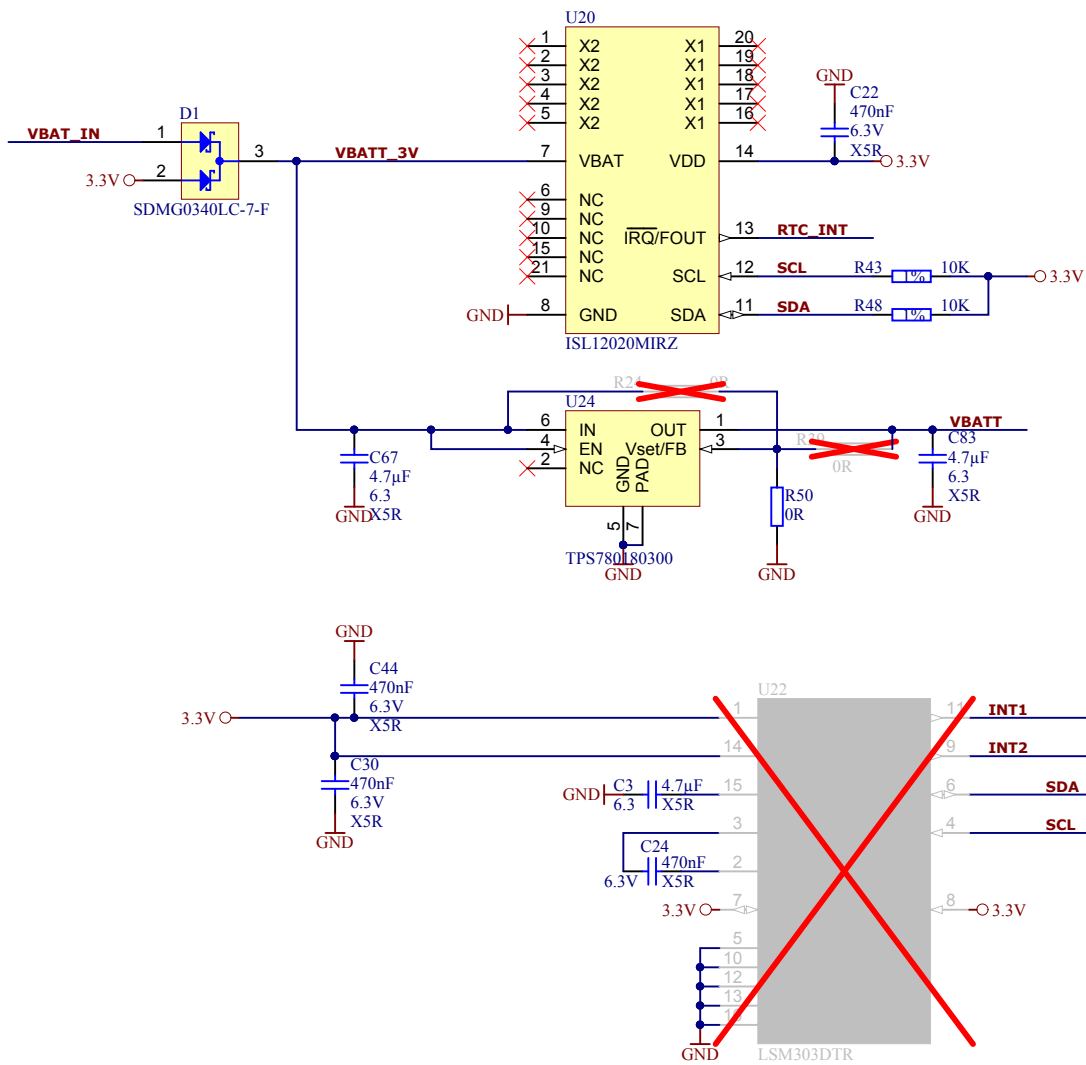
Title: GigaZee - B35		
A4	Number: TE0720 TE0720-1CR	Rev. 02
Date: 2014-03-05	Copyright: 2013 Trenz Electronic GmbH	Page9 of 15
Filename: B35.SchDoc		




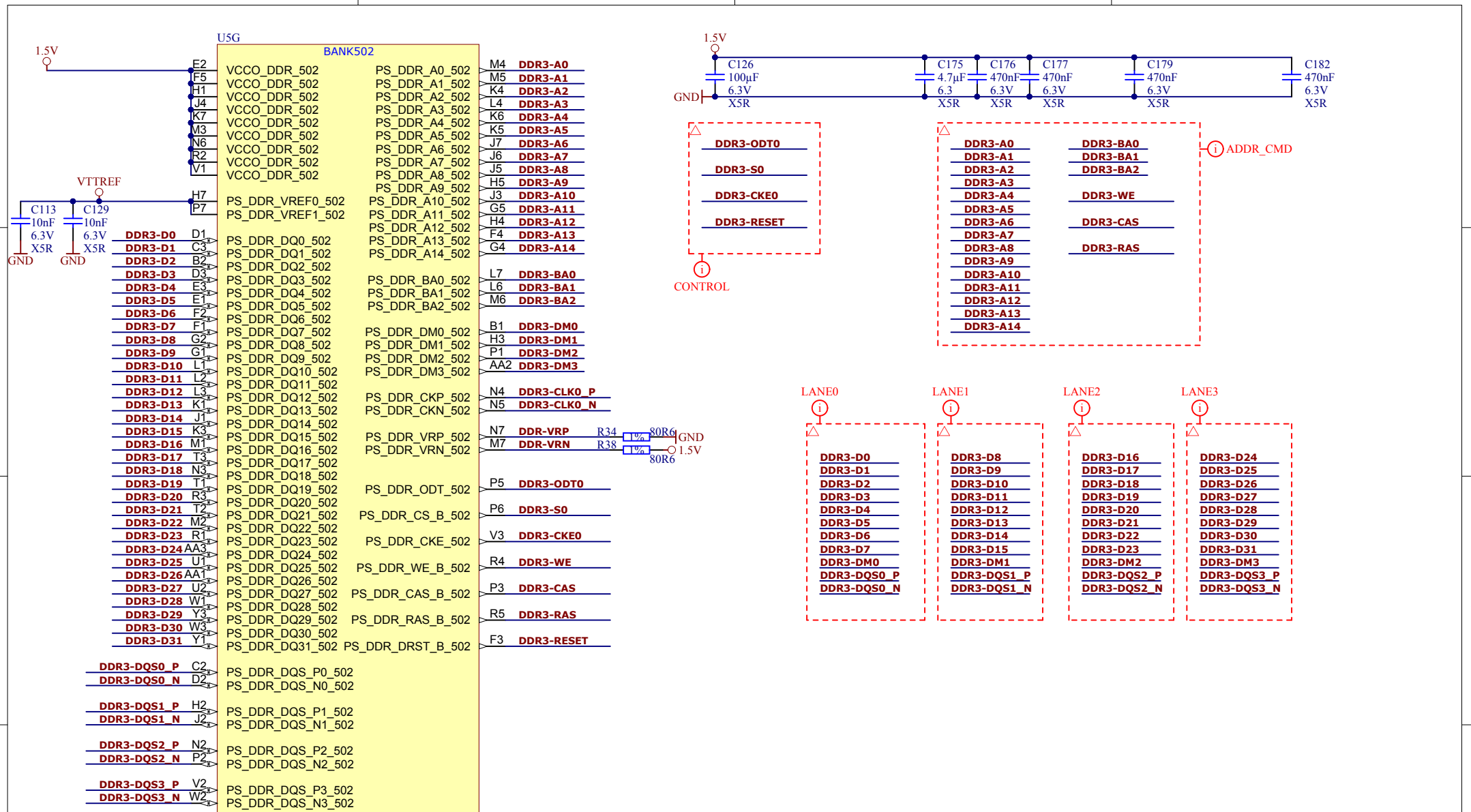
	Title: GigaZee - USB		
	A4	Number: TE0720 TE0720-1CR	Rev. 02
	Date: 2014-03-05	Copyright: 2013 Trenz Electronic GmbH	Page 10 of 15
	Filename: USB-PHY.SchDoc		




	Title: GigaZee - eNAND		
	A4	Number: TE0720 TE0720-1CR	Rev. 02
	Date: 2014-03-05	Copyright: 2013 Trenz Electronic GmbH	Page 11 of 15
	Filename: eMMC.SchDoc		



	Title: GigaZee - RTC, MEMS, SHA, MAC		
	A4	Number: TE0720 TE0720-1CR	Rev. 02
	Date: 2014-03-05	Copyright: 2013 Trenz Electronic GmbH	Page 12 of 15
	Filename: SENSOR-RTC.SchDoc		



XC72020-1CLG484C

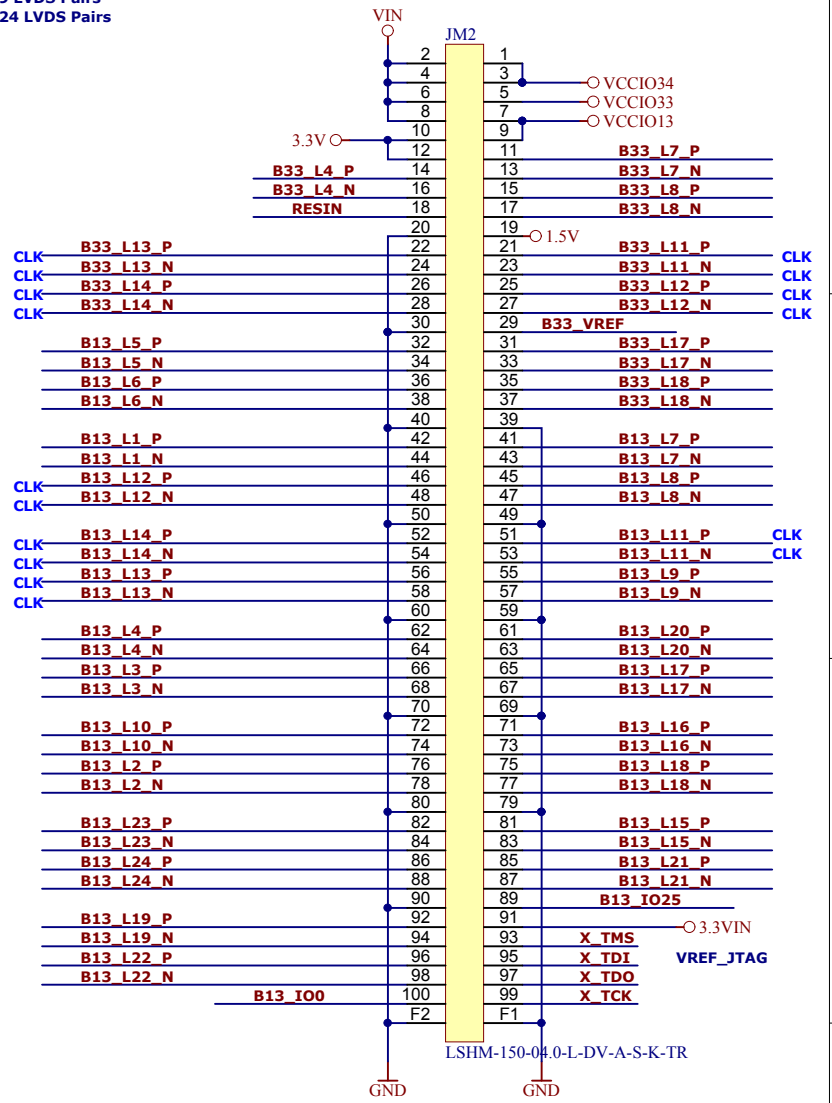
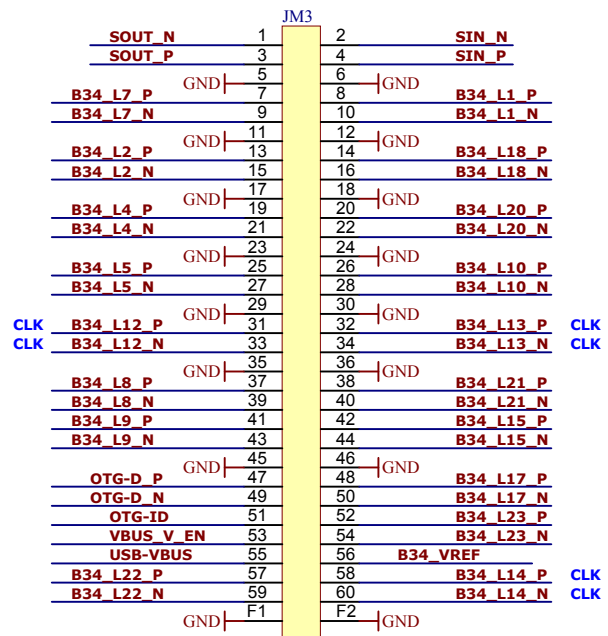
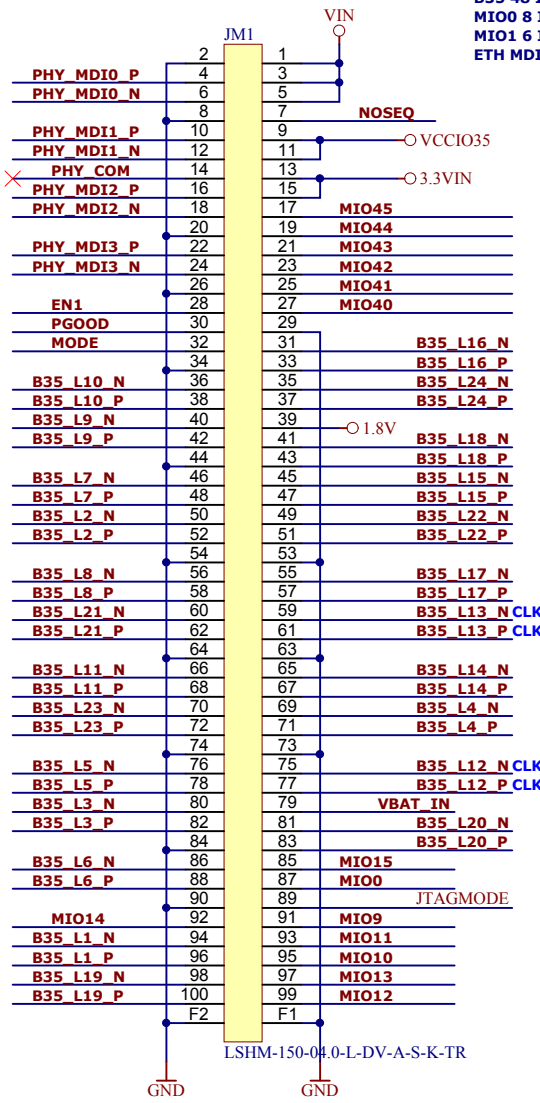


Title: GigaZee - B502		
A4	Number: TE0720 TE0720-1CR	Rev. 02
Date: 2014-03-05	Copyright: 2013 Trenz Electronic GmbH	Page 13 of 15
Filename: PS-DDR.SchDoc		

B35 48 IO, 24 LVDS Pairs
 MIO0 8 IO, 3.3V
 MIO1 6 IO 1.8V
 ETH MDI Copper

B34 36 IO, 18 LVDS Pairs
 USB OTG
 ETH SGMII

B33 18 IO, 9 LVDS Pairs
 B13 48 IO, 24 LVDS Pairs
 B13 2 IO



Title: GigaZee - B2B Connector		
A4	Number: TE0720 TE0720-1CR	Rev. 02
Date: 2014-03-05	Copyright: 2013 Trenz Electronic GmbH	Page 15 of 15
Filename: B2B-Connectors.SchDoc		