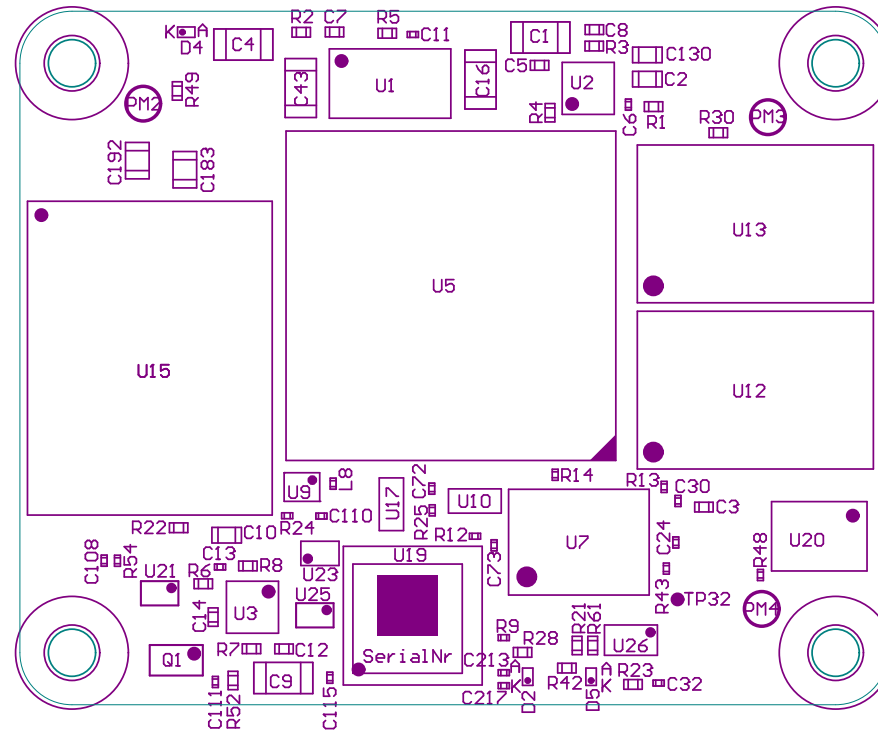


Variant name: TE0720-03-62112GA

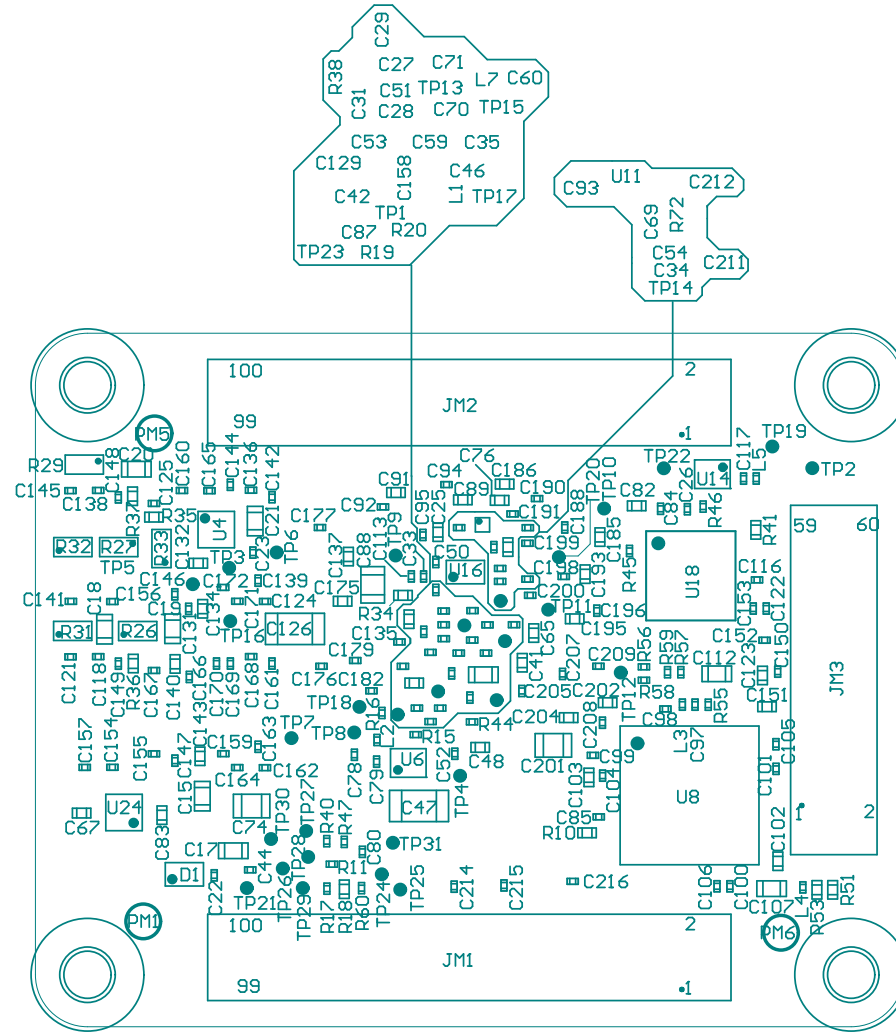
Top View

Top View



Variant name: TE0720-03-62112GA

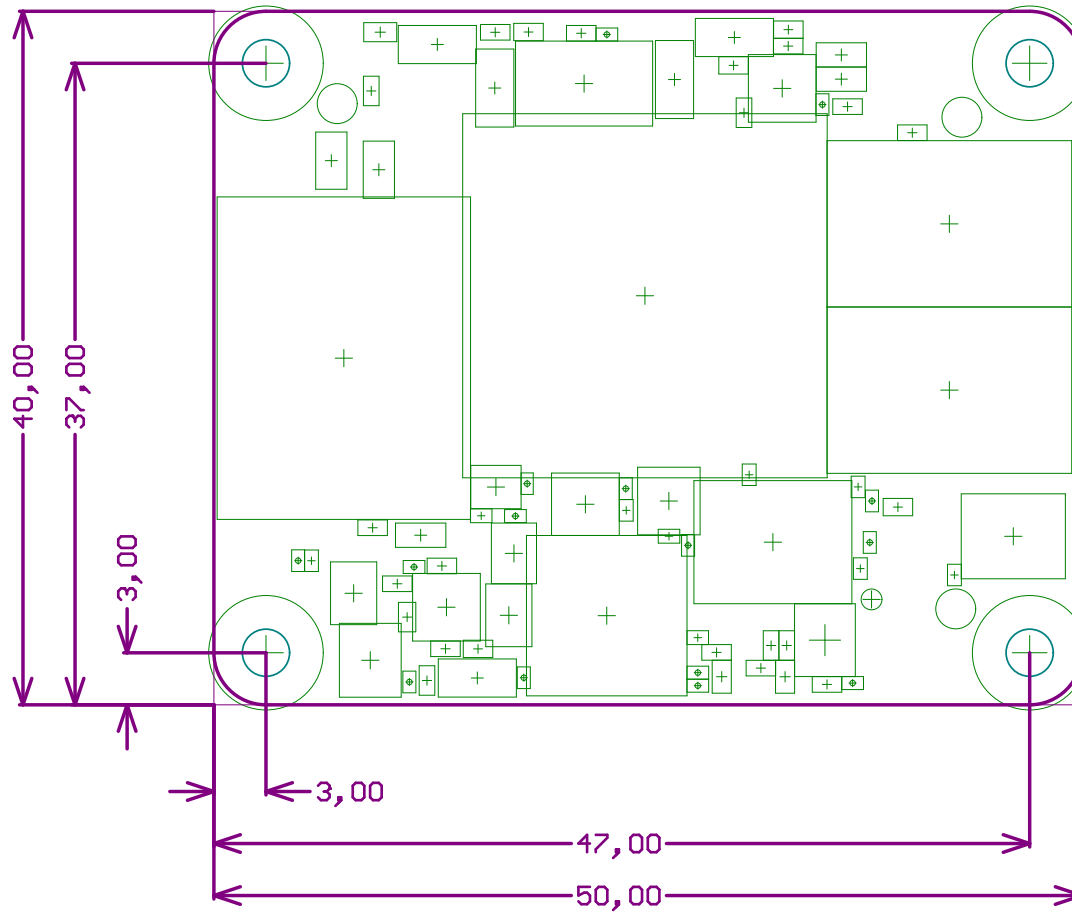
Bottom View



Bottom View

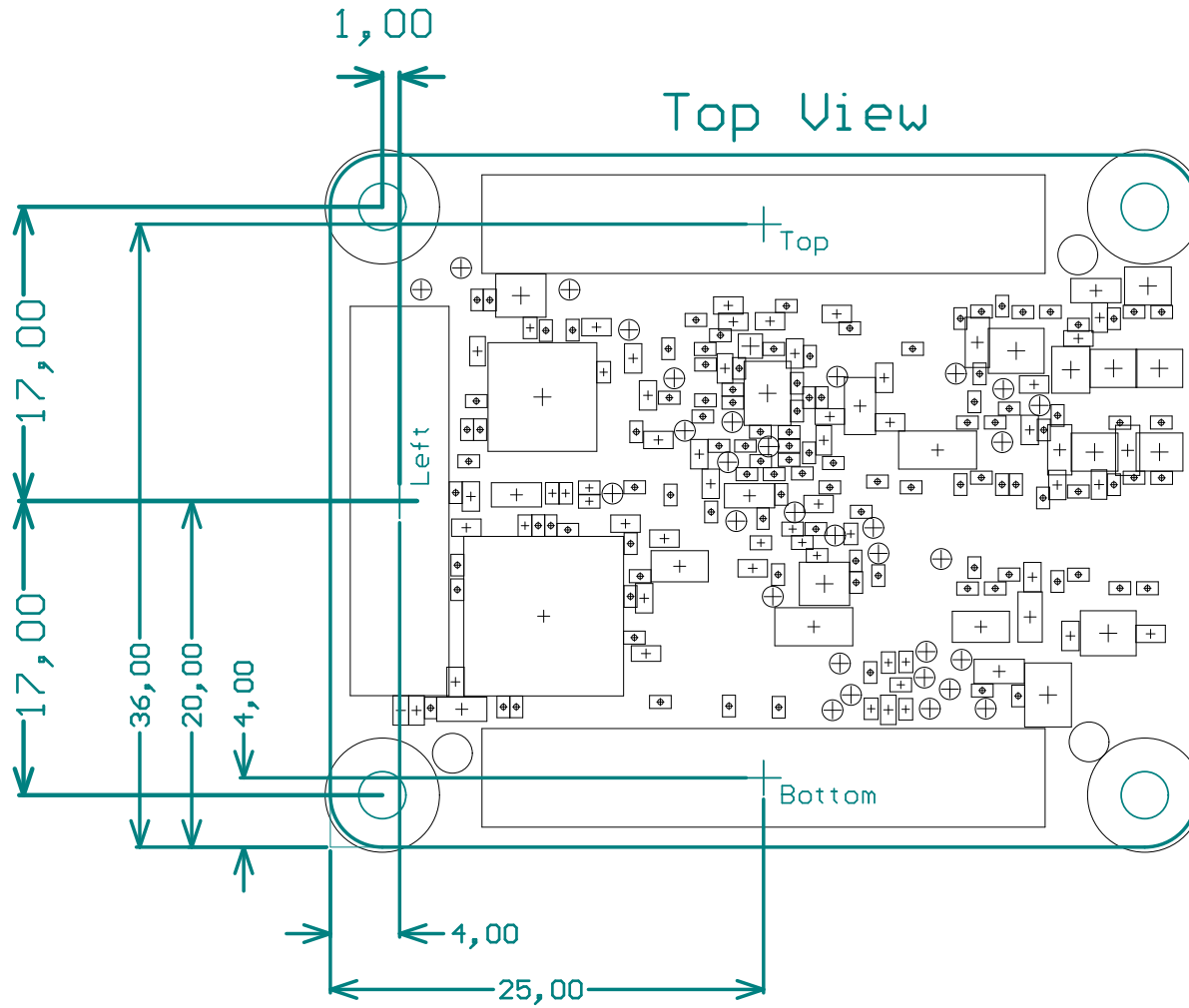
Top View

Top View



Mounting Holes

Top View



Samtec Connectors