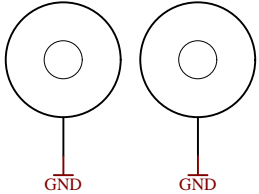
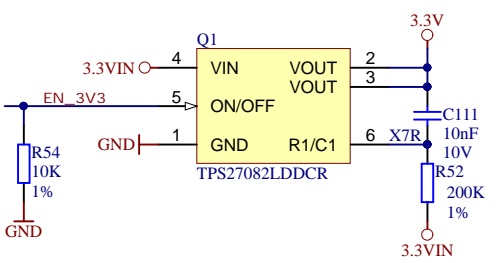
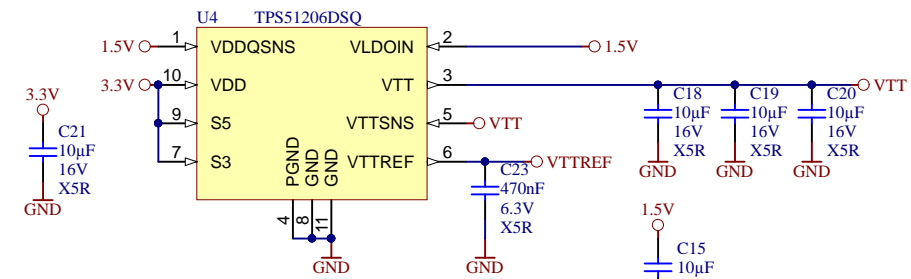
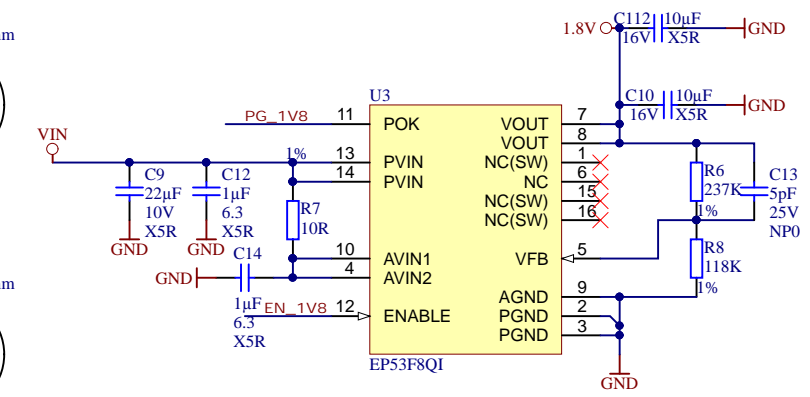
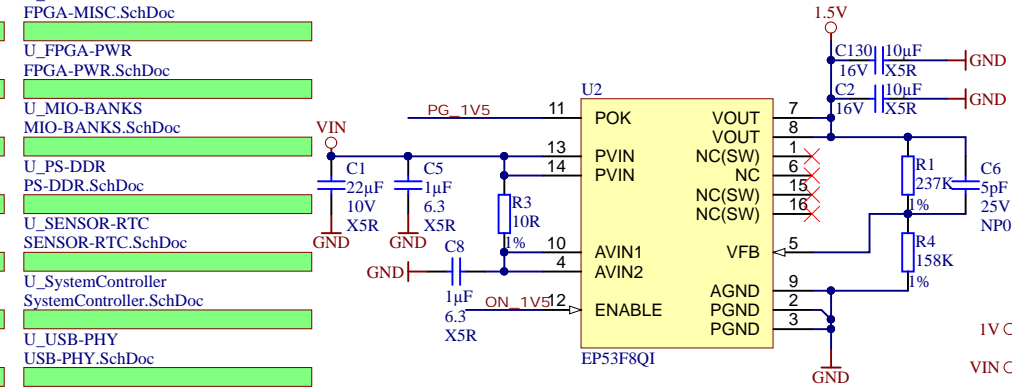
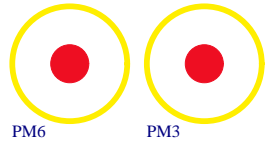
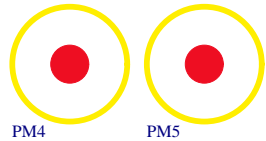
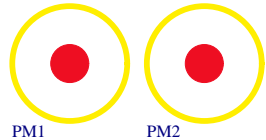
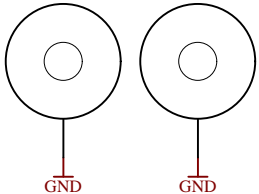


U_B2B-Connectors B2B-Connectors.SchDoc	U_FPGA-MISC FPGA-MISC.SchDoc
U_B13 B13.SchDoc	U_FPGA-PWR FPGA-PWR.SchDoc
U_B33-B34 B33-B34.SchDoc	U_MIO-BANKS MIO-BANKS.SchDoc
U_B35 B35.SchDoc	U_PS-DDR PS-DDR.SchDoc
U_DDR3-RAM DDR3-RAM.SchDoc	U_SENSOR-RTC SENSOR-RTC.SchDoc
U_eMMC eMMC.SchDoc	U_SystemController SystemController.SchDoc
U_ETH-PHY ETH-PHY.SchDoc	U_USB-PHY USB-PHY.SchDoc

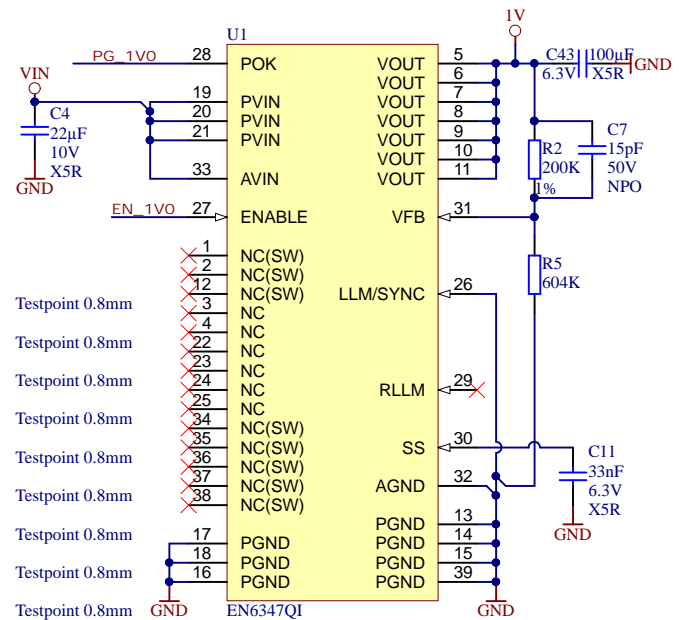
Mount.Hole 3.2mm Mount.Hole 3.2mm



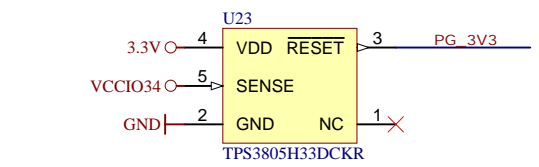
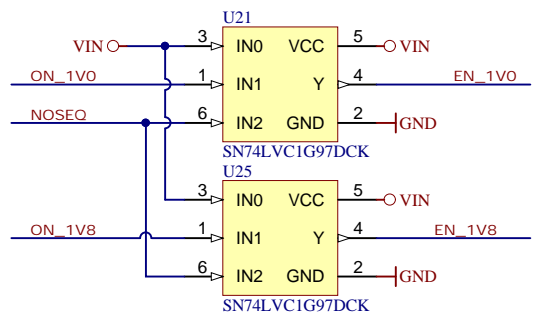
Mount.Hole 3.2mm Mount.Hole 3.2mm



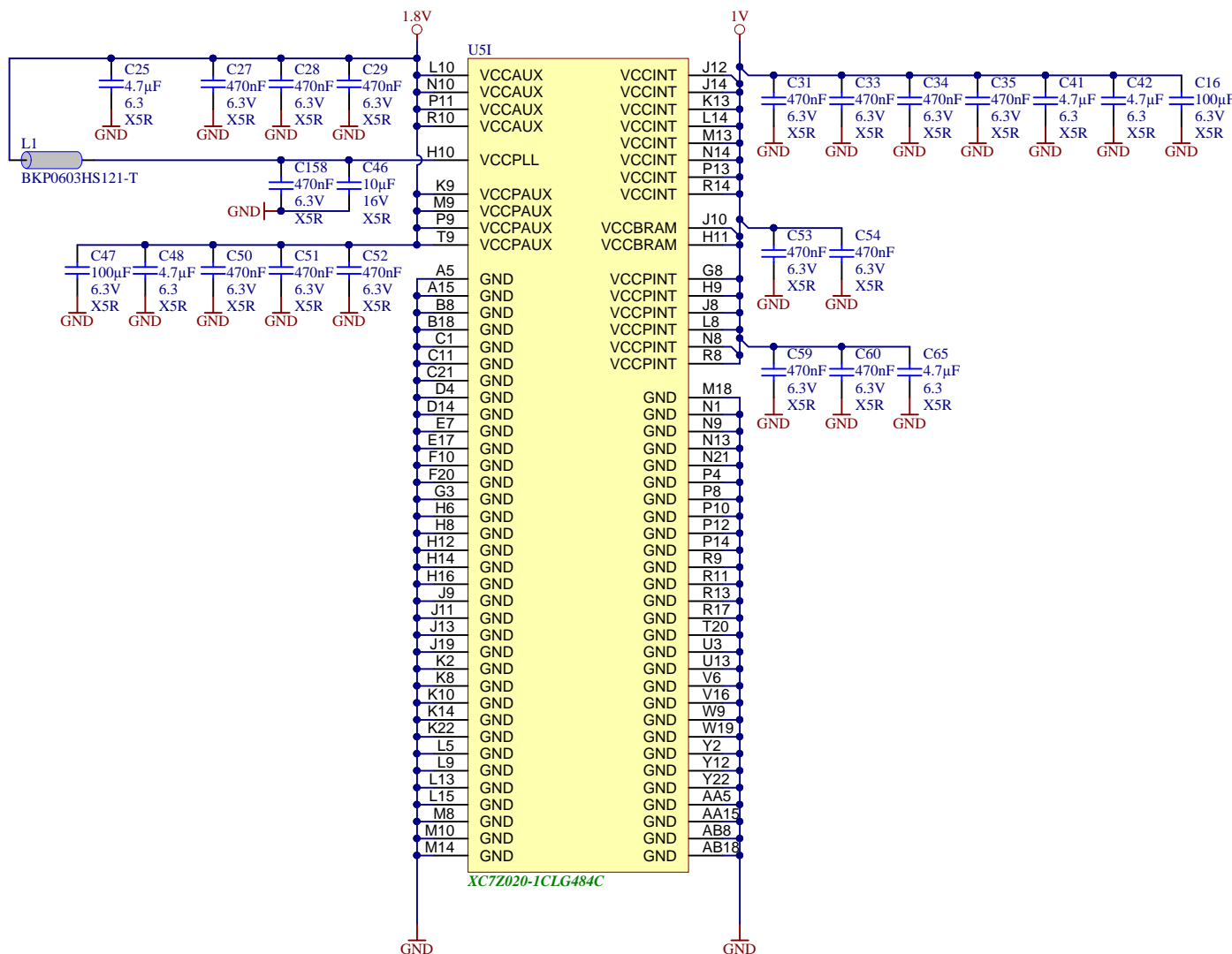

Serial  
Serial  
Serialnumber 6,3 x 6,3mm



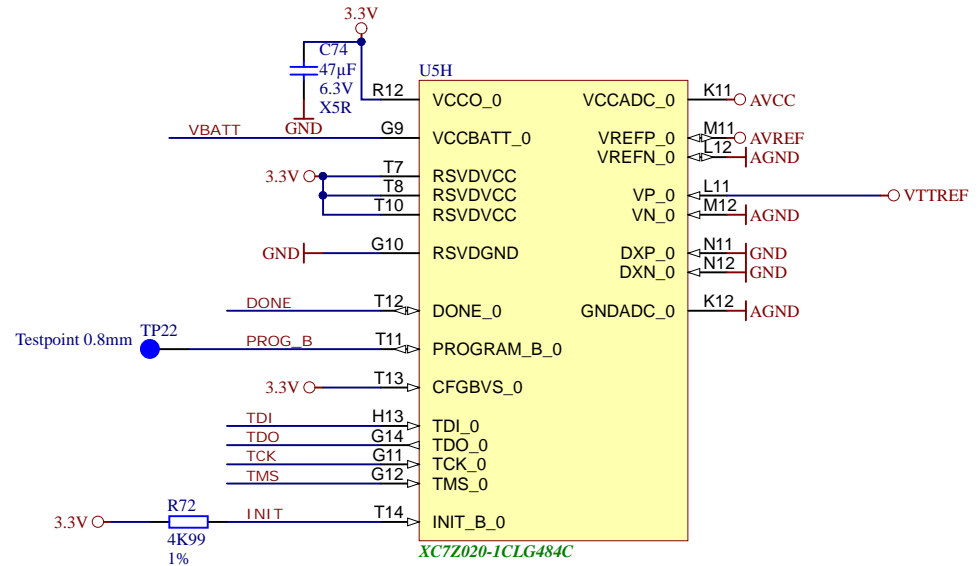
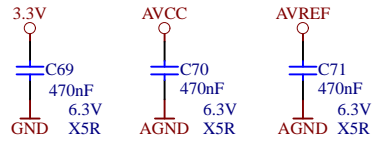
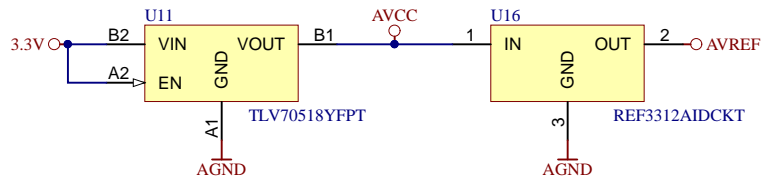
- 1V TP1 Testpoint 0.8mm
- VIN TP2 Testpoint 0.8mm
- 1.5V TP3 Testpoint 0.8mm
- 1.8V TP4 Testpoint 0.8mm
- VTT TP5 Testpoint 0.8mm
- VTTREF TP6 Testpoint 0.8mm
- 3.3VIN TP7 Testpoint 0.8mm
- VCCIO33 TP8 Testpoint 0.8mm
- VCCIO35 TP9 Testpoint 0.8mm
- VCCIO34 TP10 Testpoint 0.8mm
- VCCIO34 TP11 Testpoint 0.8mm
- VCCIO35 TP12 Testpoint 0.8mm
- AVCC TP13 Testpoint 0.8mm
- AVREF TP14 Testpoint 0.8mm
- AGND TP15 Testpoint 0.8mm
- GND TP16 Testpoint 0.8mm
- GND TP17 Testpoint 0.8mm
- GND TP18 Testpoint 0.8mm
- GND TP19 Testpoint 0.8mm
- GND TP20 Testpoint 0.8mm




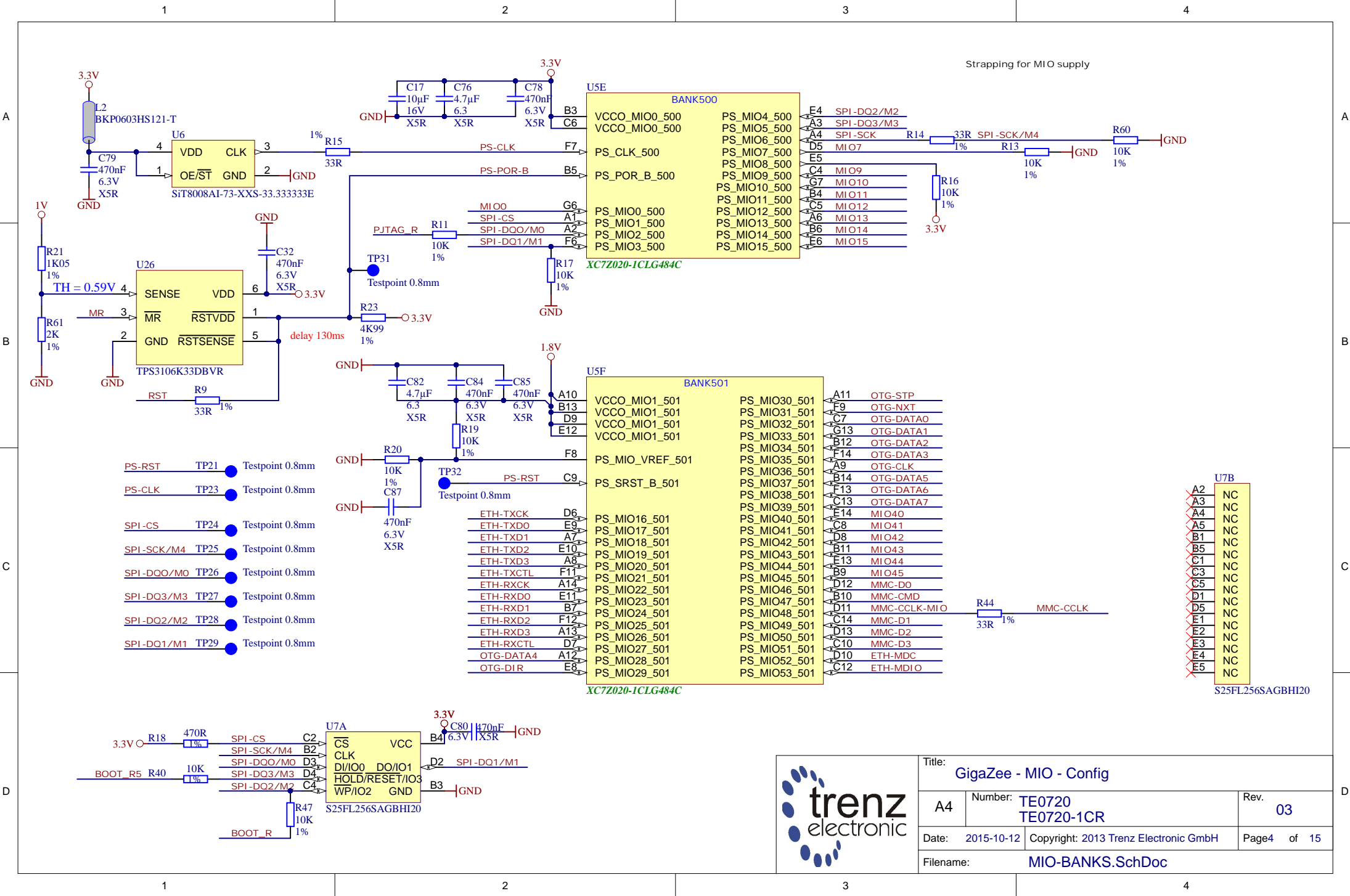
Title: GigaZee - Power		
A4	Number: TE0720 TE0720-1CR	Rev. 03
Date: 2015-10-12	Copyright: 2013 Trenz Electronic GmbH	Page1 of 15
Filename: TE0720.SchDoc		

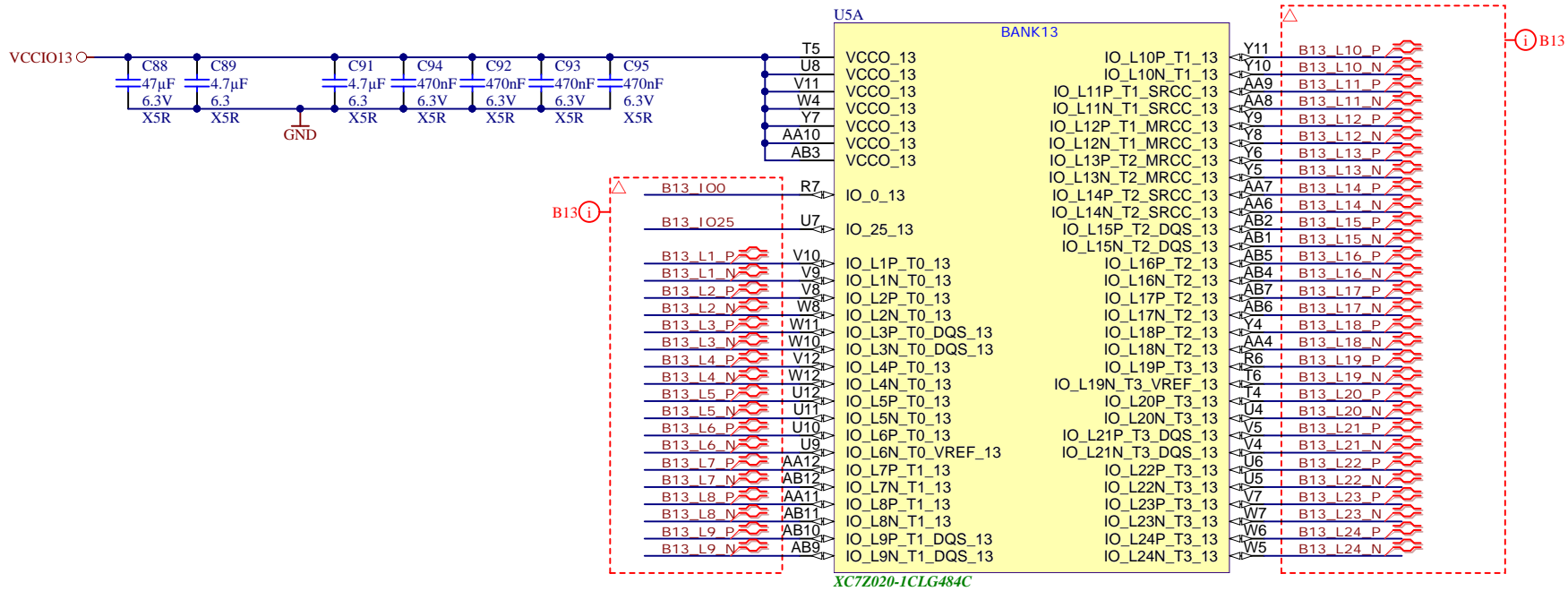
Title: GigaZee - FPGA Power		
A4	Number: TE0720 TE0720-1CR	Rev. 03
Date: 2015-10-12	Copyright: 2013 Trenz Electronic GmbH	Page2 of 15
Filename: FPGA-PWR.SchDoc		



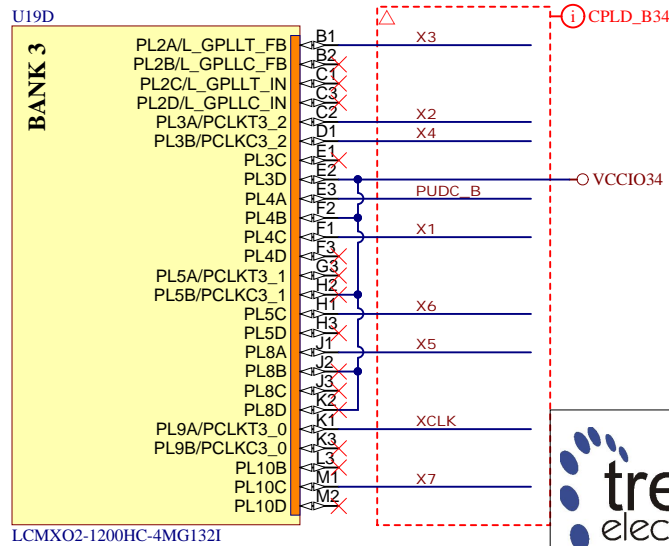
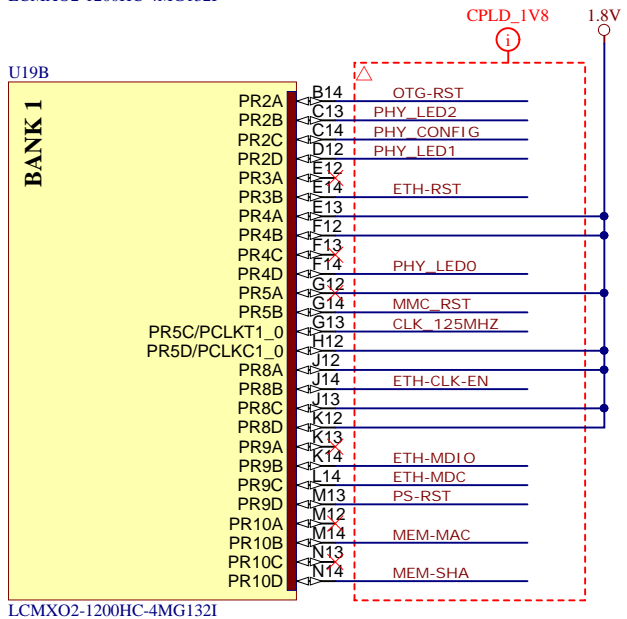
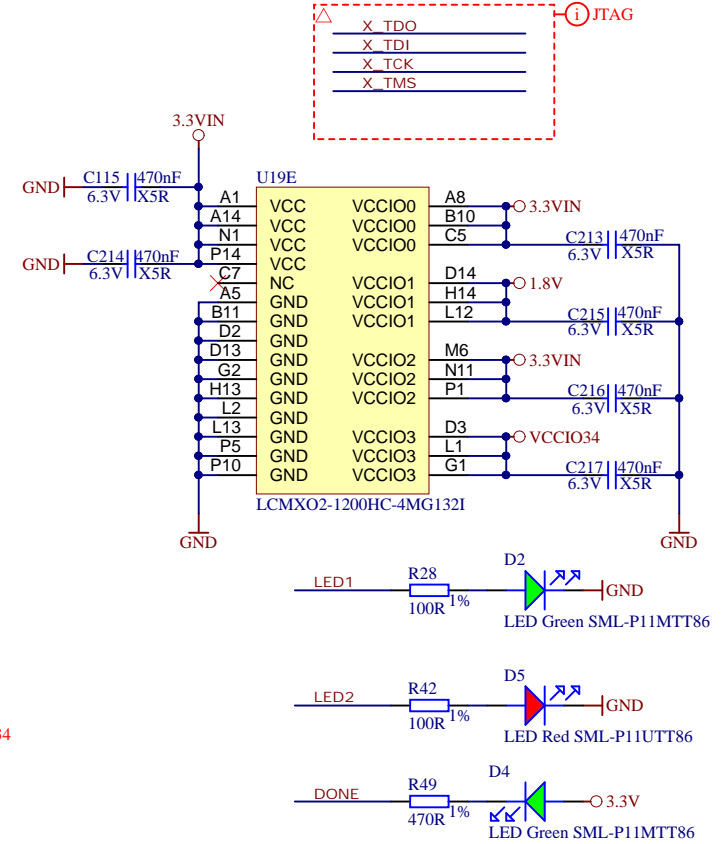
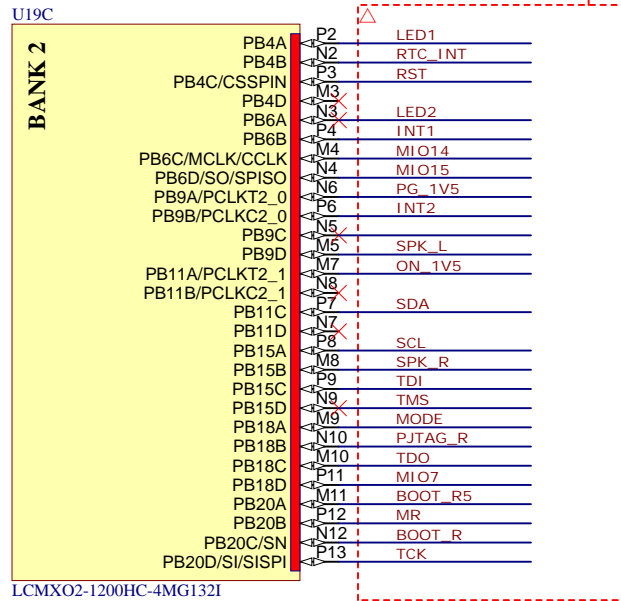
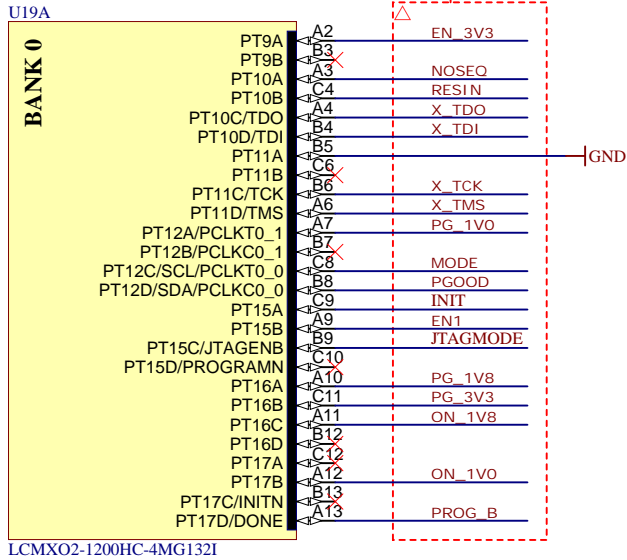
		Title: GigaZee - B0	
		A4	Number: TE0720 TE0720-1CR
Date: 2015-10-12		Copyright: 2013 Trenz Electronic GmbH	
Filename: FPGA-MISC.SchDoc		Page3 of 15	



Title: <b>GigaZee - MIO - Config</b>		
A4	Number: <b>TE0720 TE0720-1CR</b>	Rev. <b>03</b>
Date: <b>2015-10-12</b>	Copyright: <b>2013 Trenz Electronic GmbH</b>	Page <b>4</b> of <b>15</b>
Filename: <b>MIO-BANKS.SchDoc</b>		



Title: GigaZee - B13		
A4	Number: TE0720 TE0720-1CR	Rev. 03
Date: 2015-10-12	Copyright: 2013 Trenz Electronic GmbH	Page5 of 15
Filename: B13.SchDoc		



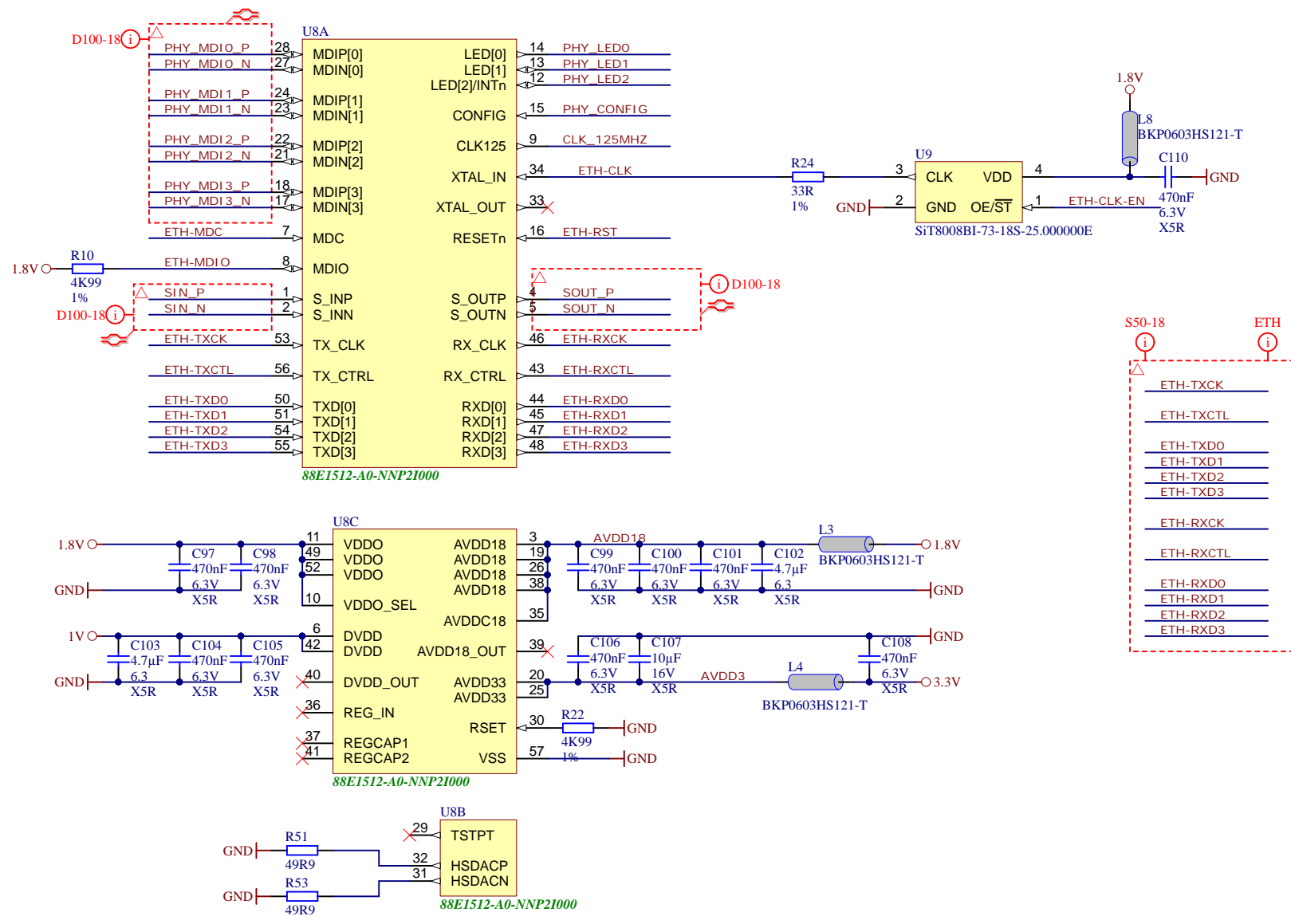

Title: GigaZee - System Controller		
A4	Number: TE0720 TE0720-1CR	Rev. 03
Date: 2015-10-12	Copyright: 2013 Trenz Electronic GmbH	Page6 of 15
Filename: SystemController.SchDoc		

A

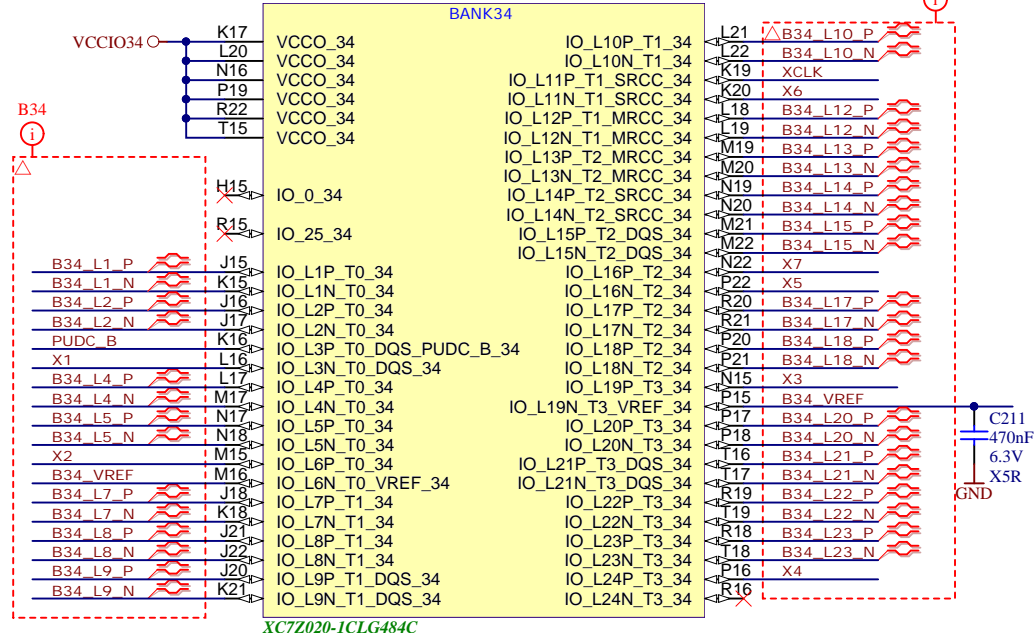
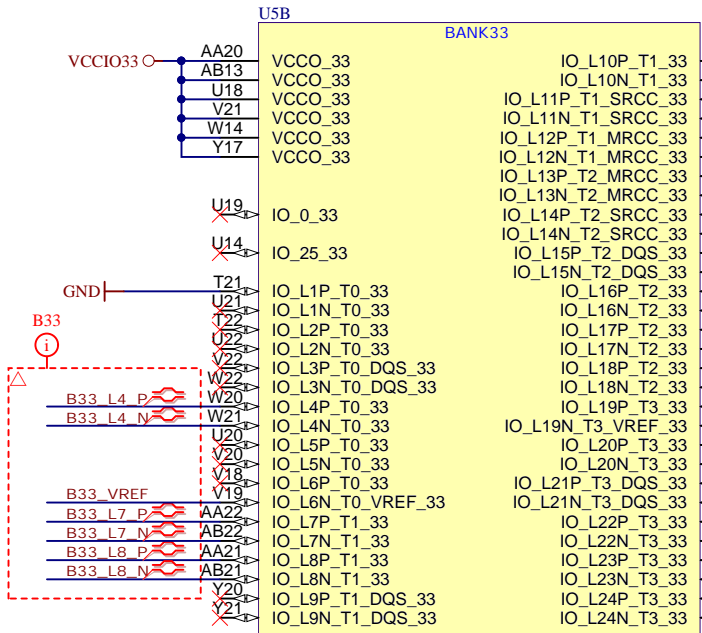
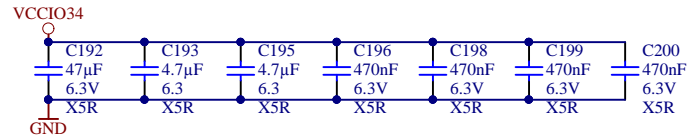
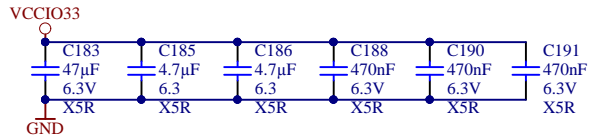
B

C

D

Title: GigaZee - Ethernet		
A4	Number: TE0720 TE0720-1CR	Rev. 03
Date: 2015-10-12	Copyright: 2013 Trenz Electronic GmbH	Page 7 of 15
Filename: ETH-PHY.SchDoc		



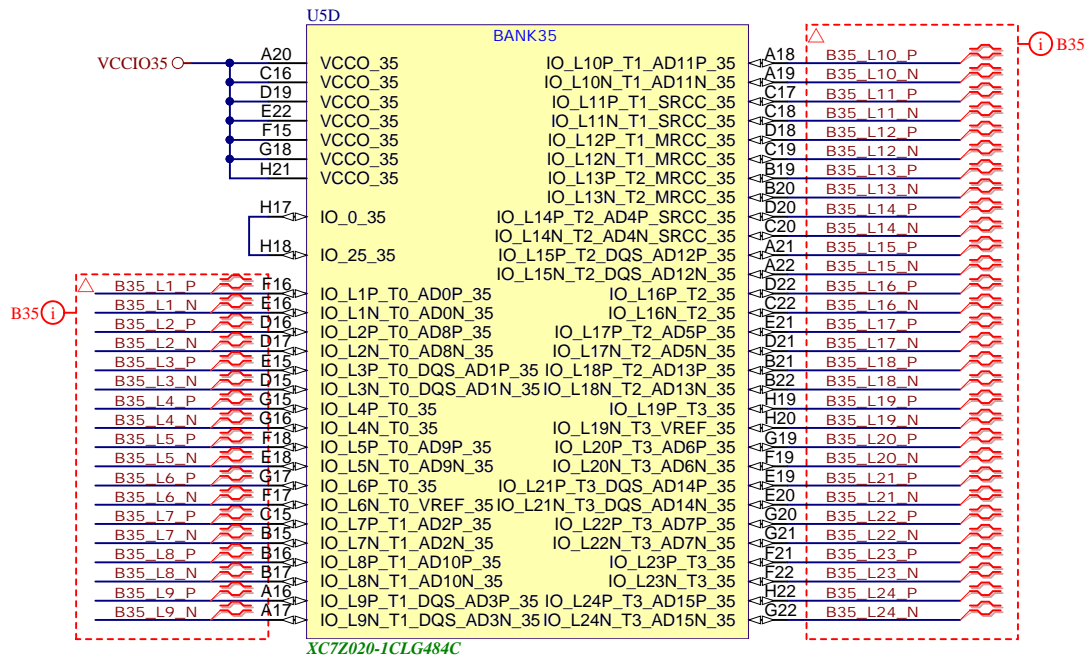
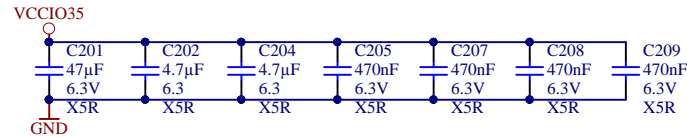
XC7Z020-1CLG484C

XC7Z020-1CLG484C



Title: GigaZee - B33 - B34			
A4	Number: TE0720 TE0720-1CR	Rev. 03	
Date: 2015-10-12	Copyright: 2013 Trenz Electronic GmbH	Page8 of 15	
Filename: B33-B34.SchDoc			

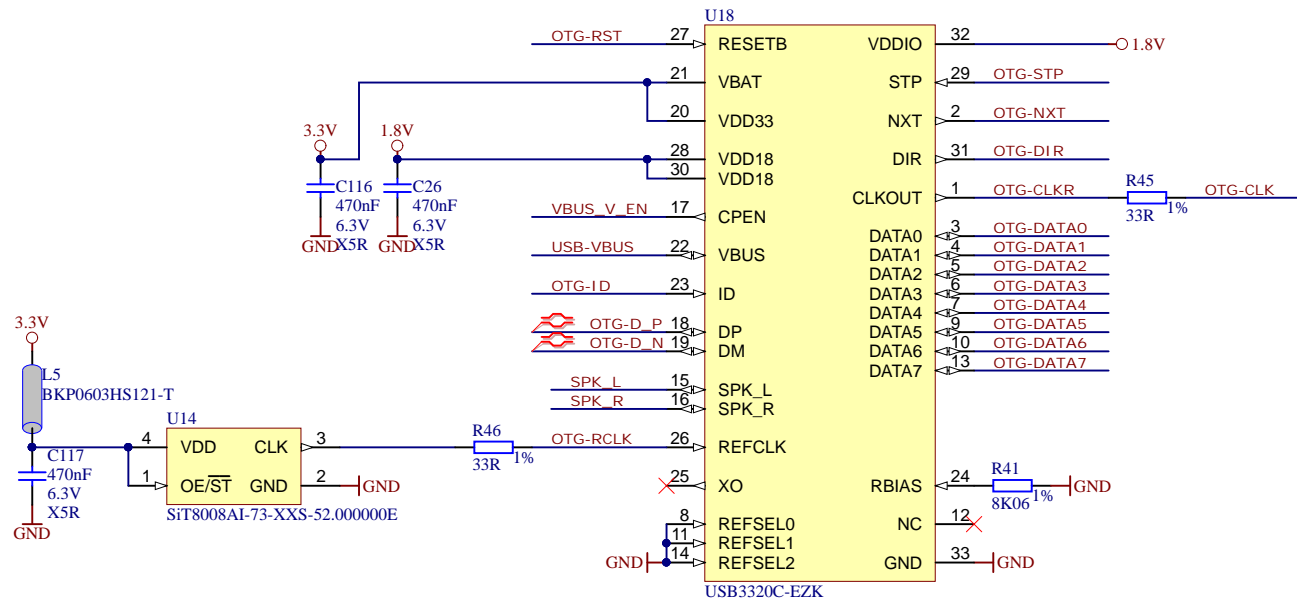




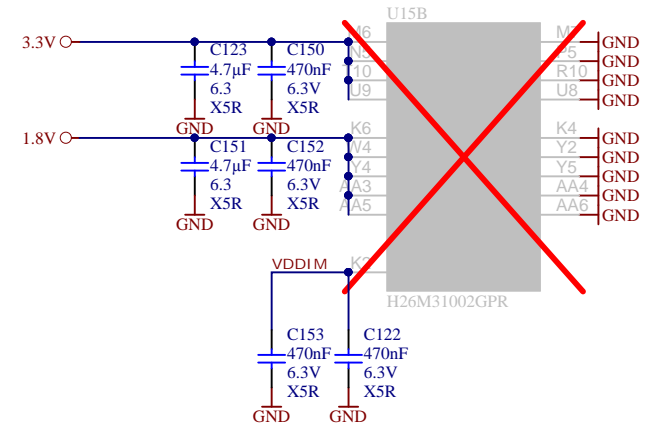
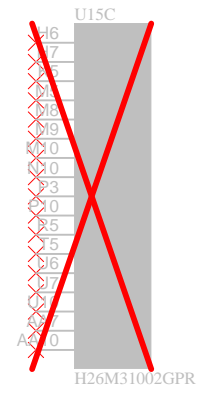
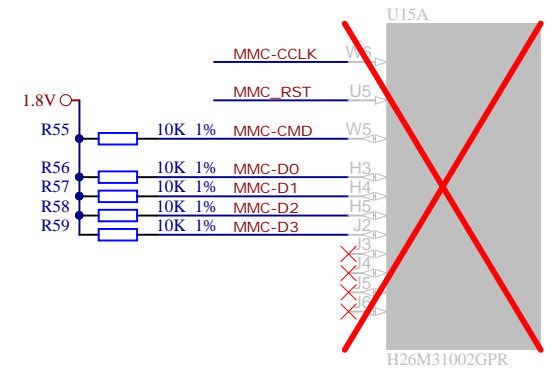
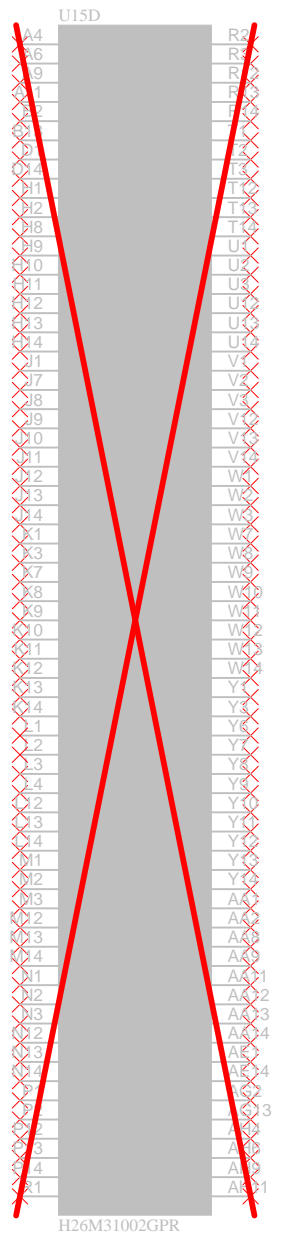
XC7Z020-1CLG484C




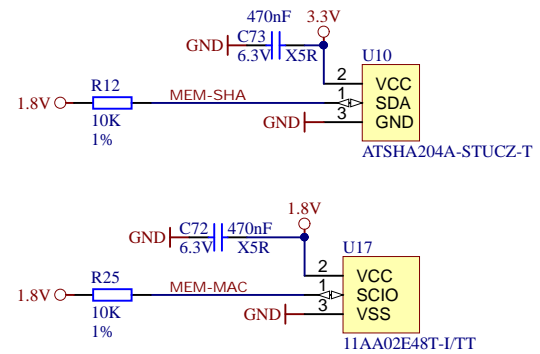
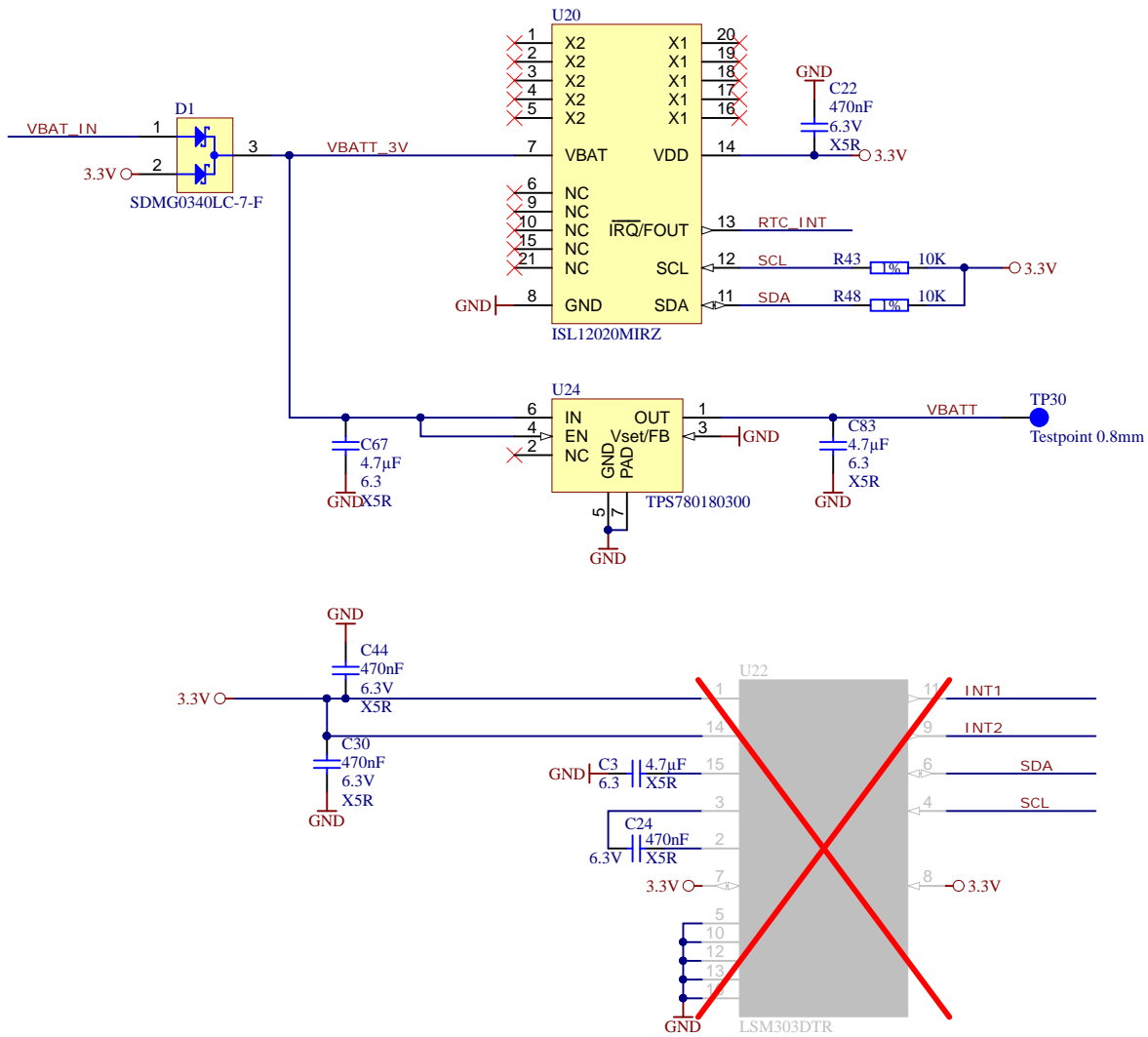
Title: GigaZee - B35		
A4	Number: TE0720 TE0720-1CR	Rev. 03
Date: 2015-10-12	Copyright: 2013 Trenz Electronic GmbH	Page9 of 15
Filename: B35.SchDoc		




	Title: <b>GigaZee - USB</b>	
	A4	Number: <b>TE0720 TE0720-1CR</b>
	Date: <b>2015-10-12</b>	Copyright: 2013 Trenz Electronic GmbH
	Rev. <b>03</b>	Page <b>10</b> of <b>15</b>
Filename: <b>USB-PHY.SchDoc</b>		



		Title: GigaZee - eNAND	
		A4	Number: TE0720 TE0720-1CR
Date: 2015-10-12		Copyright: 2013 Trenz Electronic GmbH	
Date: 2015-10-12		Page 11 of 15	
Filename: eMMC.SchDoc			



			Title: GigaZee - RTC, MEMS, SHA, MAC	
			A4	Number: TE0720 TE0720-1CR
Date: 2015-10-12		Copyright: 2013 Trenz Electronic GmbH		Page 12 of 15
Filename: SENSOR-RTC.SchDoc				

A

A

B

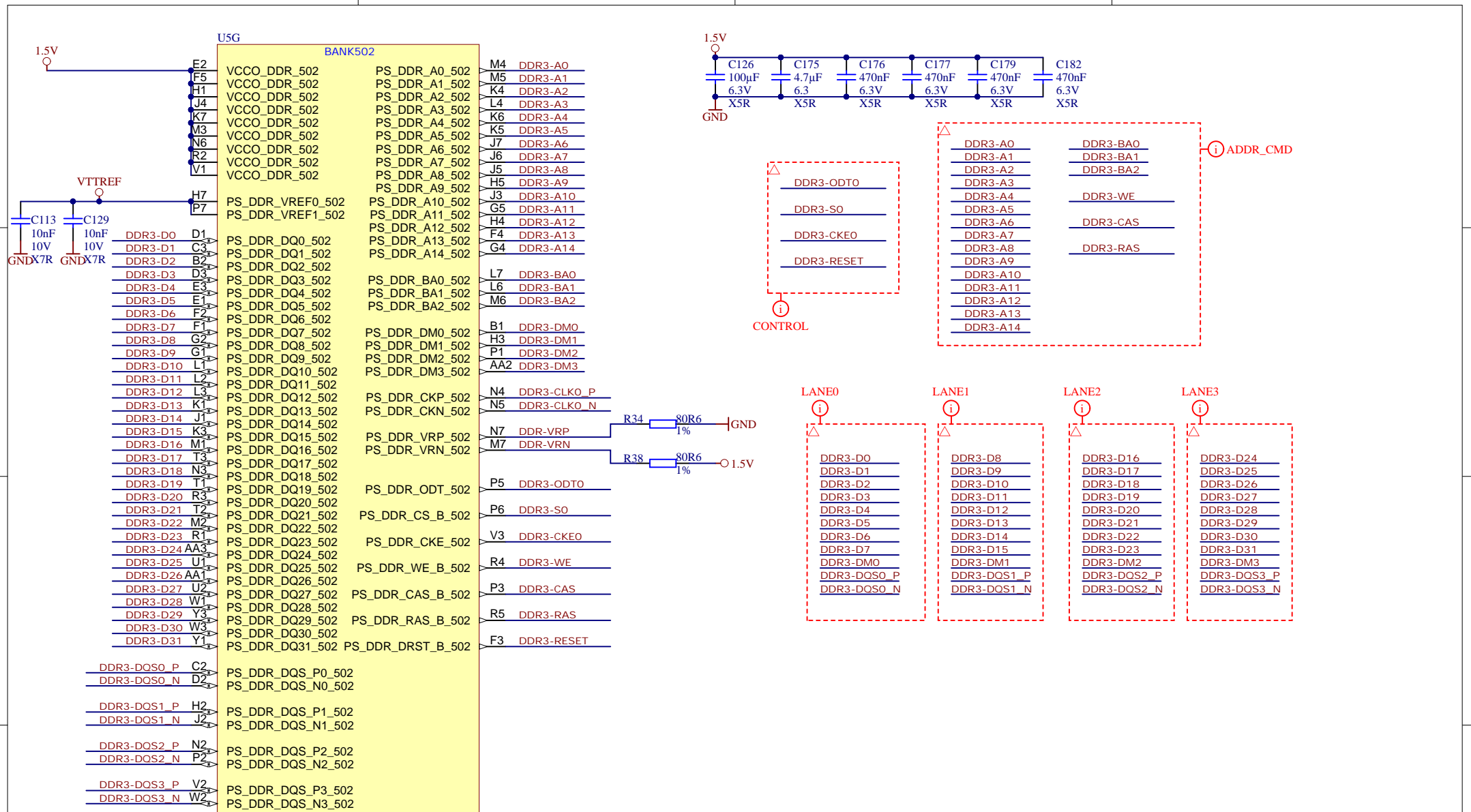
B

C


C

D

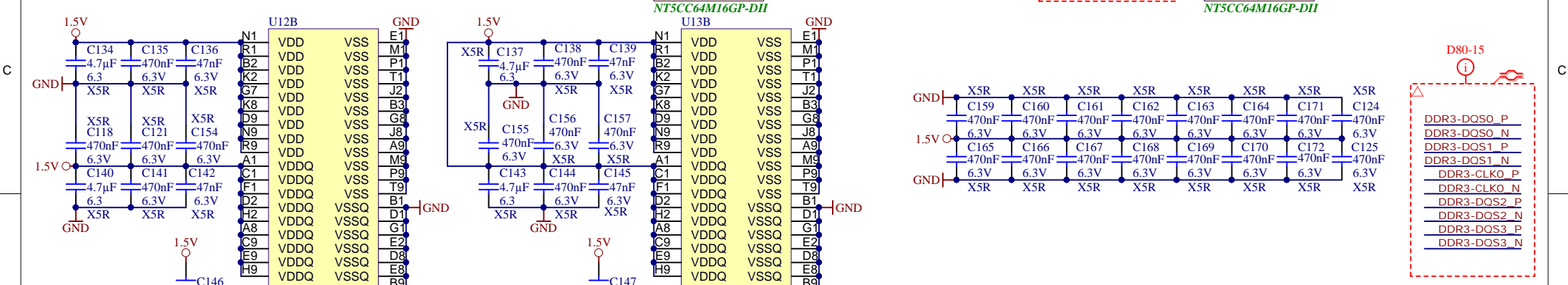
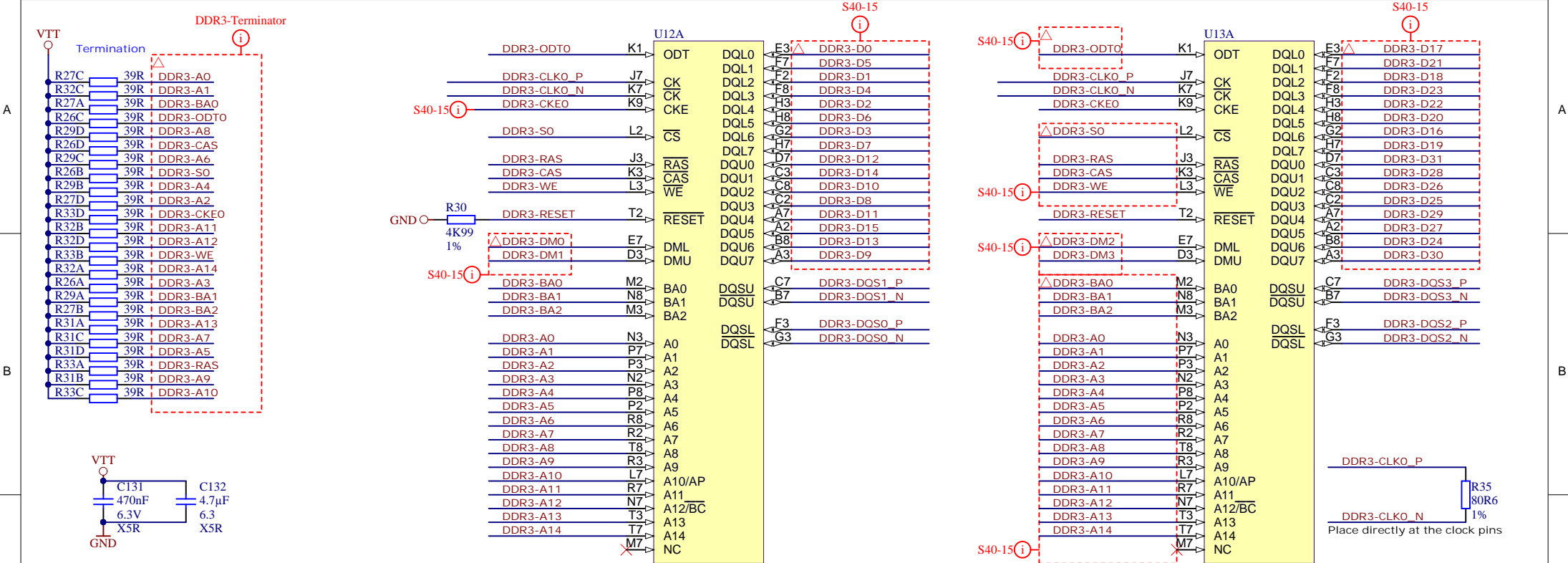
D



XC7Z020-1CLG484C



Title: GigaZee - B502			
A4	Number: TE0720 TE0720-1CR	Rev. 03	
Date: 2015-10-12	Copyright: 2013 Trenz Electronic GmbH	Page13 of 15	
Filename: PS-DDR.SchDoc			



Title: <b>GigaZee - DDR3</b>		
A4	Number: <b>TE0720 TE0720-1CR</b>	Rev. <b>03</b>
Date: 2015-10-12	Copyright: 2013 Trenz Electronic GmbH	Page 14 of 15
Filename: <b>DDR3-RAM.SchDoc</b>		

1

2

3

4

A

A

B

B

C

C

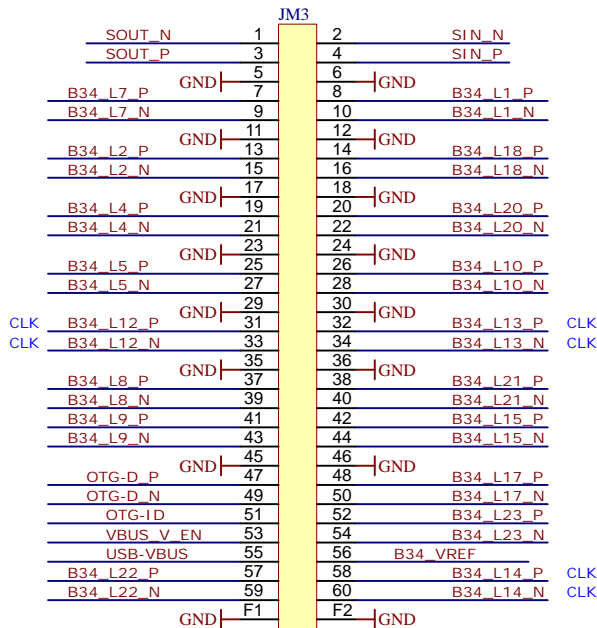
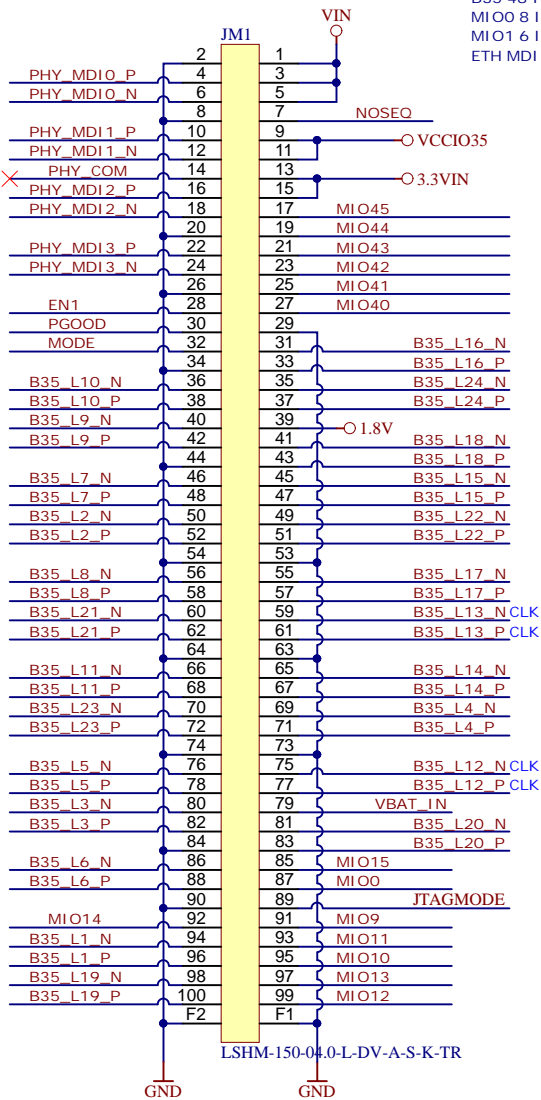
D

D

B35 48 IO, 24 LVDS Pairs  
 MIO0 8 IO, 3.3V  
 MIO1 6 IO 1.8V  
 ETH MDI Copper

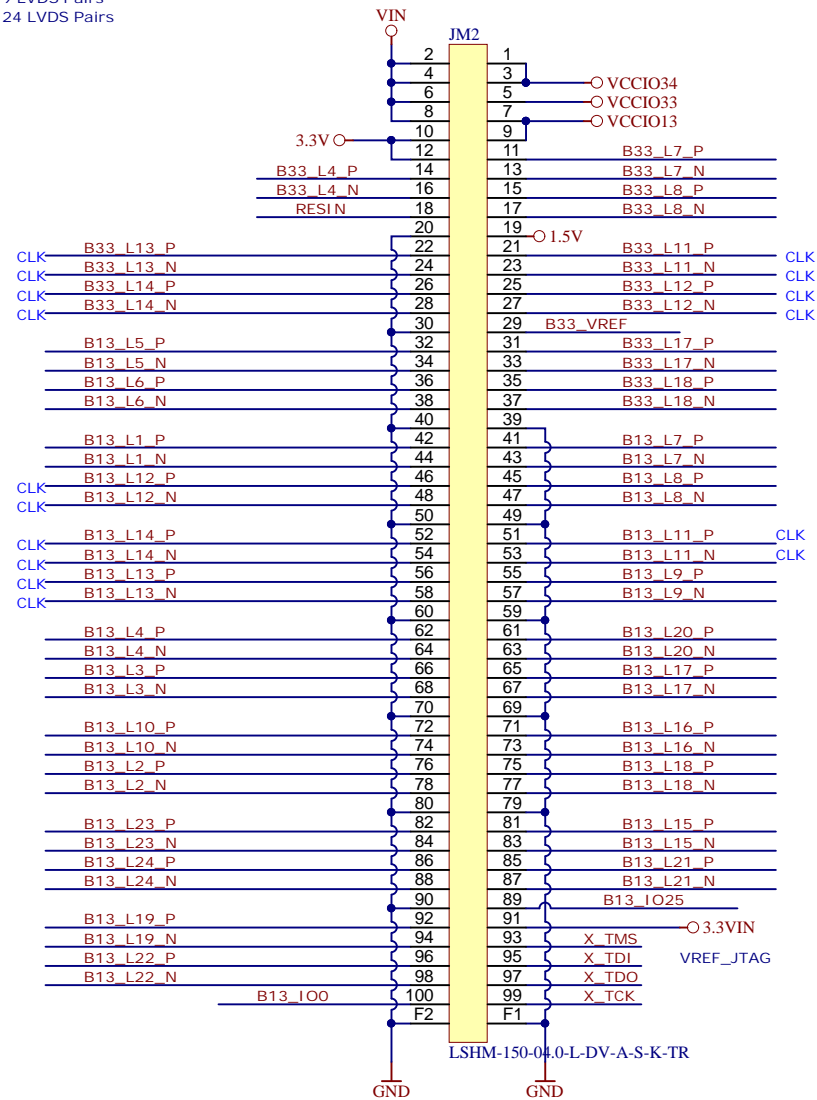
B34 36 IO, 18 LVDS Pairs  
 USB OTG  
 ETH SGMII

B33 18 IO, 9 LVDS Pairs  
 B13 48 IO, 24 LVDS Pairs  
 B13 2 IO



LSHM-130-04.0-L-DV-A-S-K-TR

Top of Board



LSHM-150-04.0-L-DV-A-S-K-TR



Title: GigaZee - B2B Connector		
A4	Number: TE0720 TE0720-1CR	Rev. 03
Date: 2015-10-12	Copyright: 2013 Trenz Electronic GmbH	Page 15 of 15
Filename: B2B-Connectors.SchDoc		

1

2

3

4