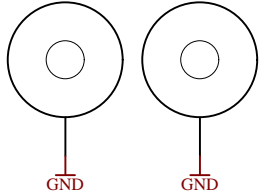
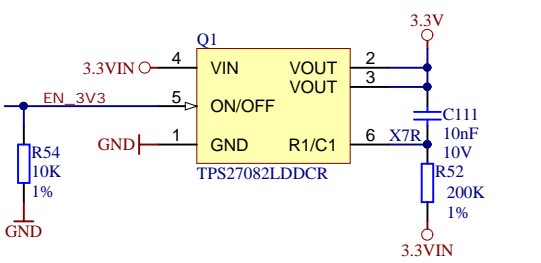
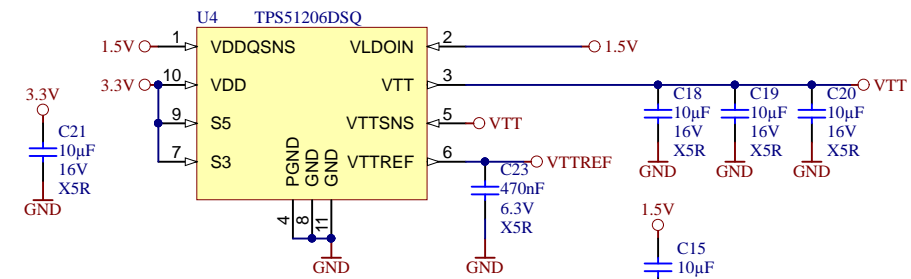
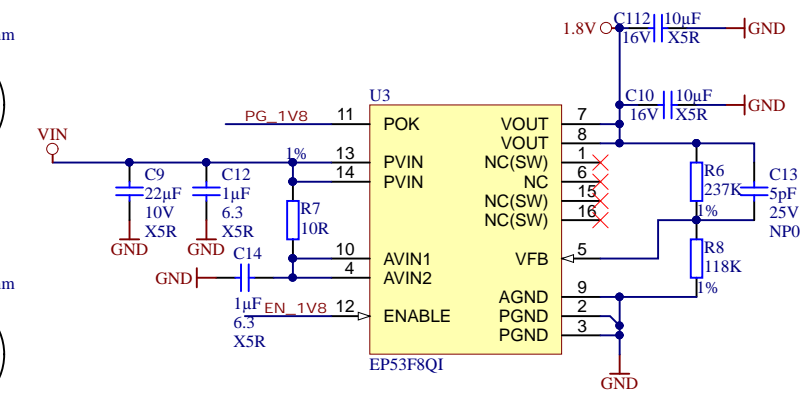
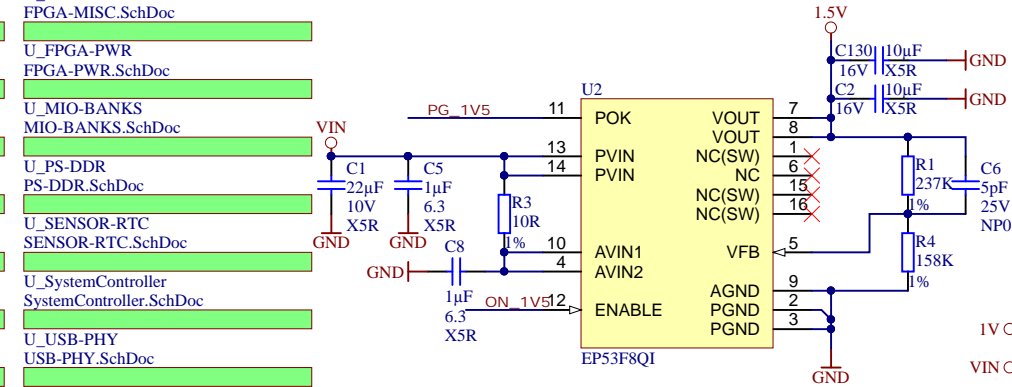
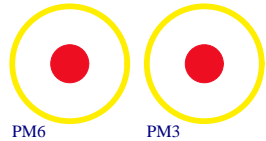
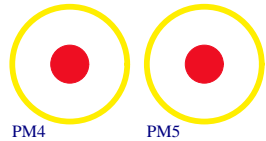
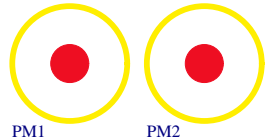
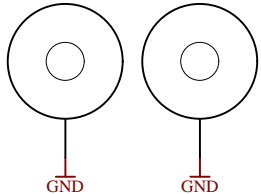


|   |   |
|---|---|
| U_B2B-Connectors<br>B2B-Connectors.SchDoc | U_FPGA-MISC<br>FPGA-MISC.SchDoc               |
| U_B13<br>B13.SchDoc                       | U_FPGA-PWR<br>FPGA-PWR.SchDoc                 |
| U_B33-B34<br>B33-B34.SchDoc               | U_MIO-BANKS<br>MIO-BANKS.SchDoc               |
| U_B35<br>B35.SchDoc                       | U_PS-DDR<br>PS-DDR.SchDoc                     |
| U_DDR3-RAM<br>DDR3-RAM.SchDoc             | U_SENSOR-RTC<br>SENSOR-RTC.SchDoc             |
| U_eMMC<br>eMMC.SchDoc                     | U_SystemController<br>SystemController.SchDoc |
| U_ETH-PHY<br>ETH-PHY.SchDoc               | U_USB-PHY<br>USB-PHY.SchDoc                   |

Mount.Hole 3.2mm Mount.Hole 3.2mm

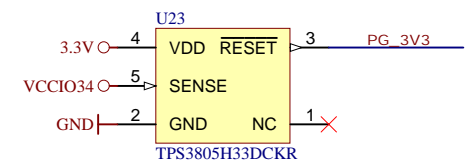
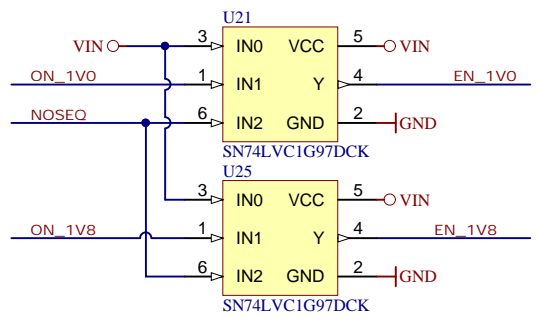
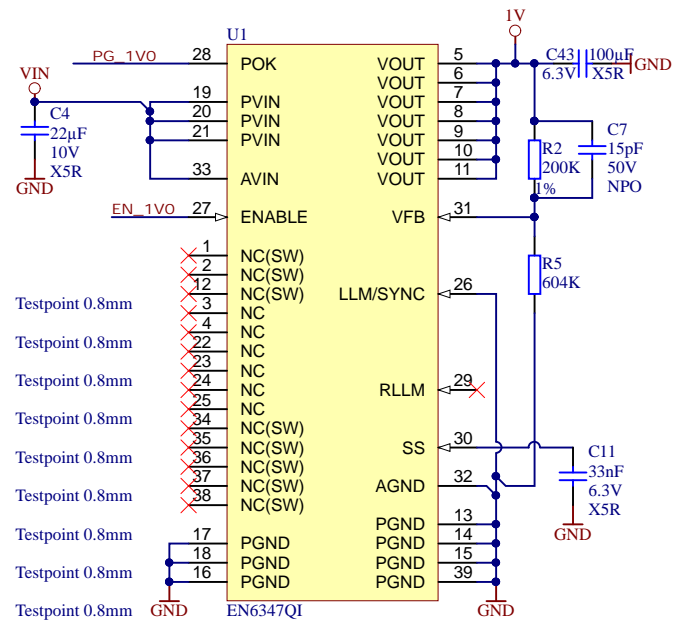


Mount.Hole 3.2mm Mount.Hole 3.2mm

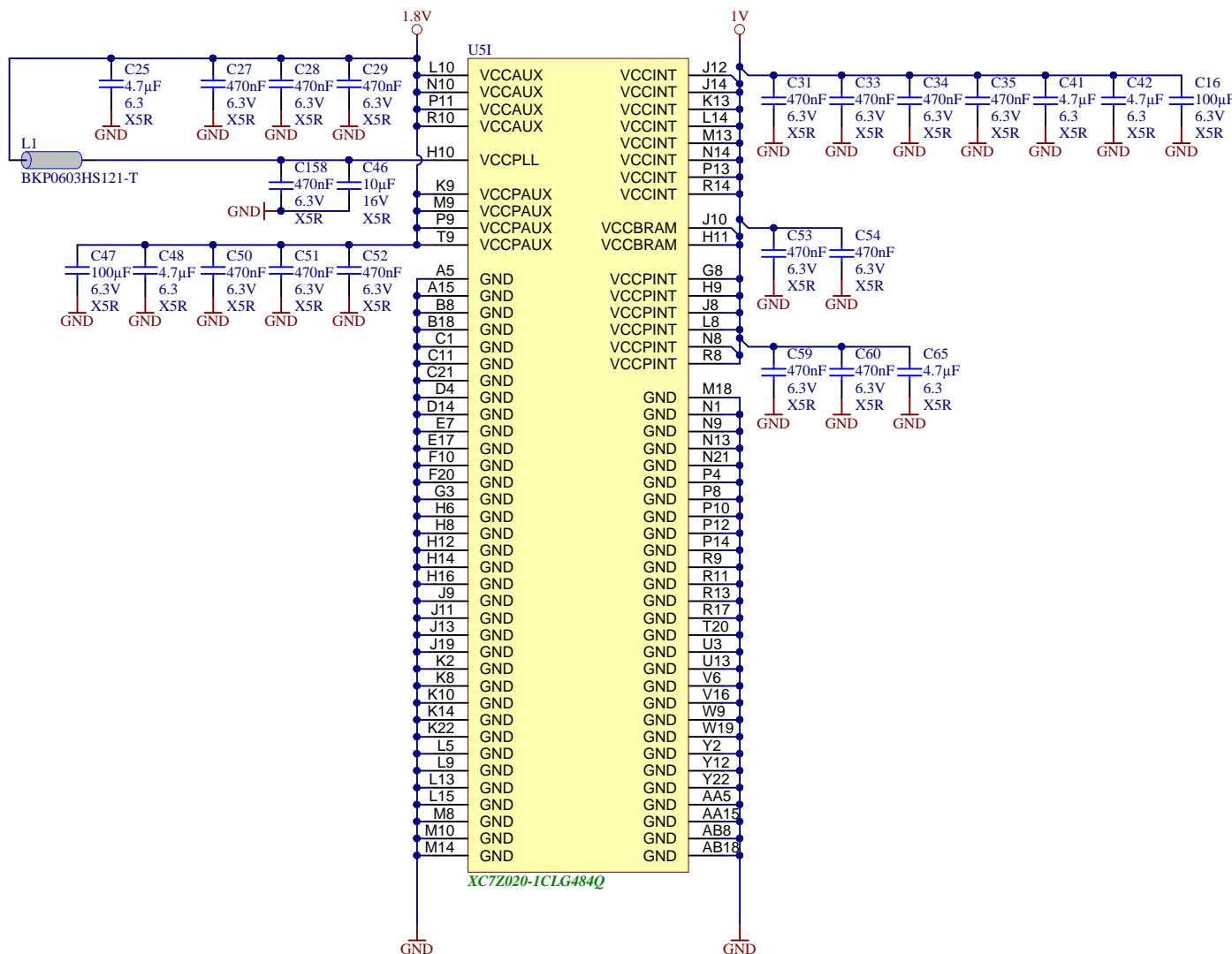


Serial  
Serial  
Serialnumber 6,3 x 6,3mm

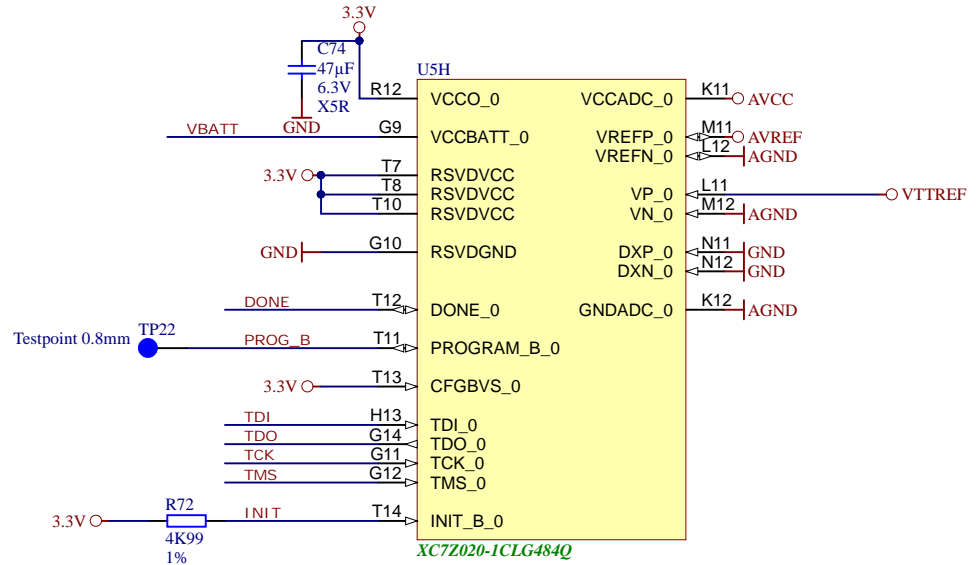
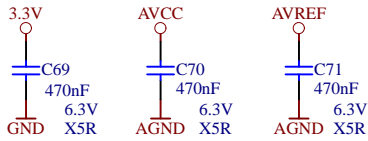
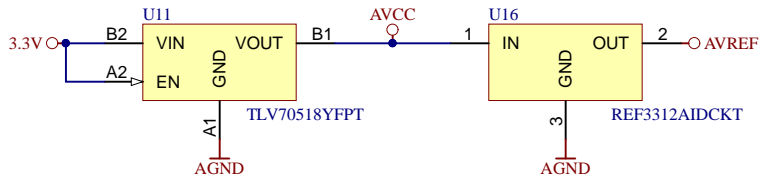
- 1V TP1 Testpoint 0.8mm
- VIN TP2 Testpoint 0.8mm
- 1.5V TP3 Testpoint 0.8mm
- 1.8V TP4 Testpoint 0.8mm
- VTT TP5 Testpoint 0.8mm
- VTTREF TP6 Testpoint 0.8mm
- 3.3VIN TP7 Testpoint 0.8mm
- VCCIO33 TP8 Testpoint 0.8mm
- VCCIO34 TP9 Testpoint 0.8mm
- VCCIO35 TP10 Testpoint 0.8mm
- AVCC TP11 Testpoint 0.8mm
- AVREF TP12 Testpoint 0.8mm
- AGND TP13 Testpoint 0.8mm
- AGND TP14 Testpoint 0.8mm
- GND TP15 Testpoint 0.8mm
- GND TP16 Testpoint 0.8mm
- GND TP17 Testpoint 0.8mm
- GND TP18 Testpoint 0.8mm
- GND TP19 Testpoint 0.8mm
- GND TP20 Testpoint 0.8mm



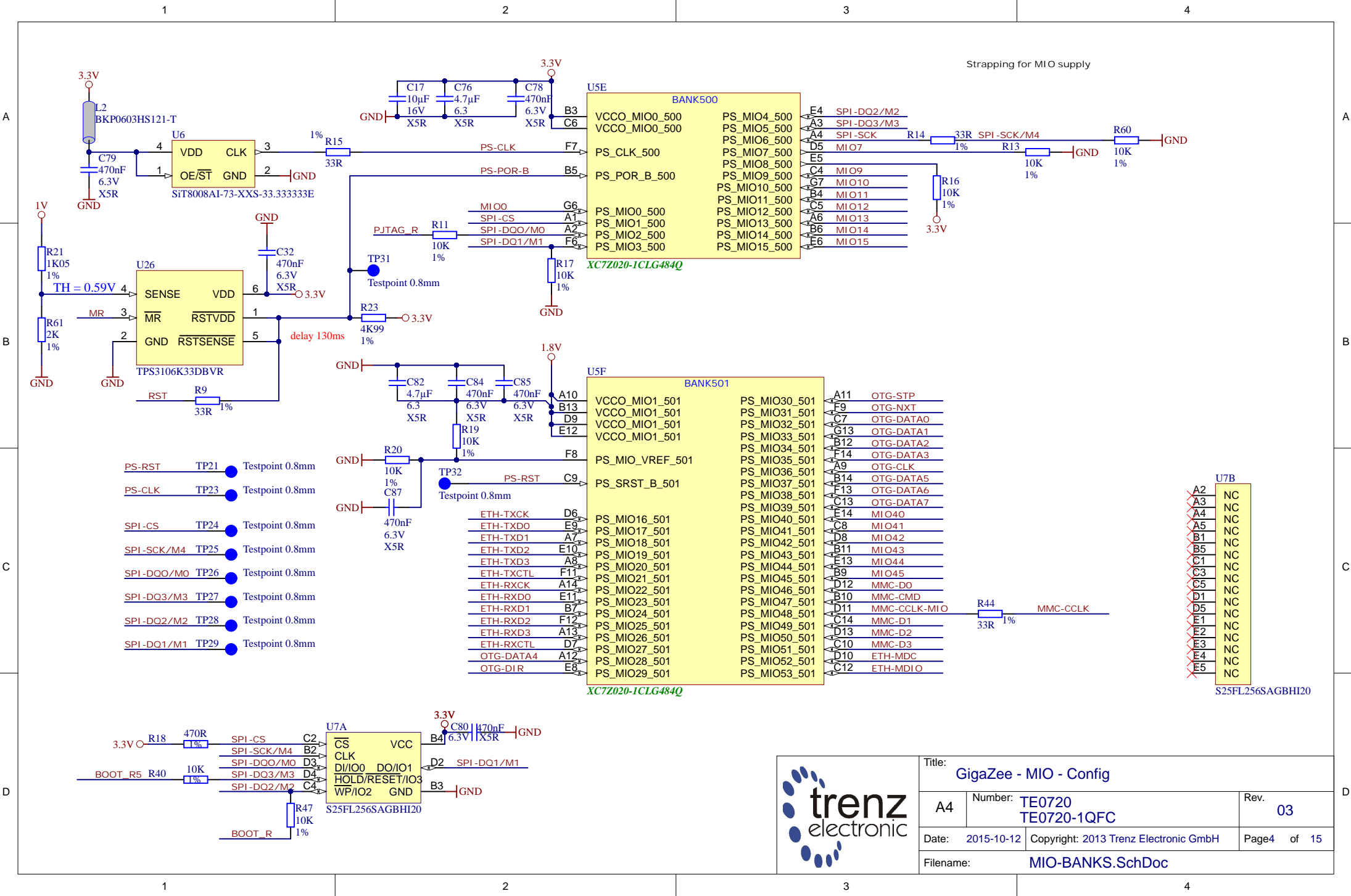
|                         |                                       |             |
|-------------------------|---------------------------------------|-------------|
| Title: GigaZee - Power  |                                       |             |
| A4                      | Number: TE0720<br>TE0720-1QFC         | Rev. 03     |
| Date: 2015-10-12        | Copyright: 2013 Trenz Electronic GmbH | Page1 of 15 |
| Filename: TE0720.SchDoc |                                       |             |



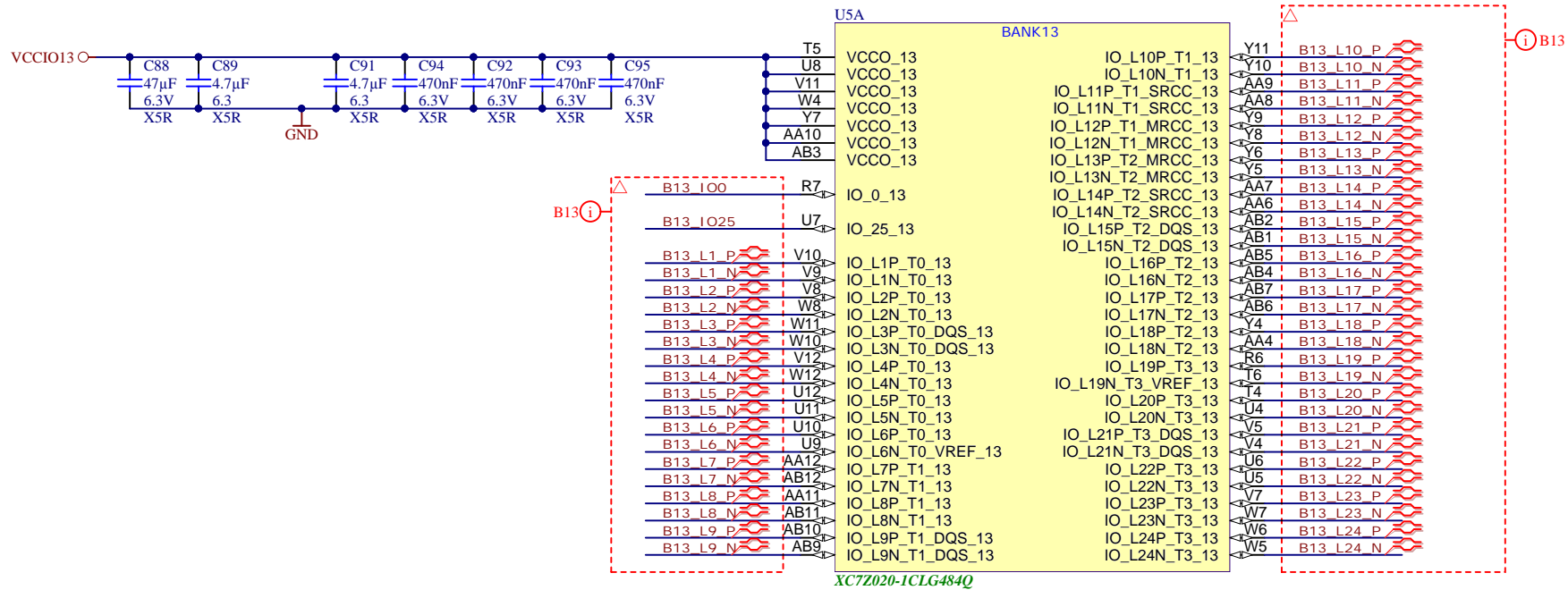
|   |                             |                                       |             |
|---|-----------------------------|---------------------------------------|-------------|
|  | Title: GigaZee - FPGA Power |                                       |             |
|   | A4                          | Number: TE0720<br>TE0720-1QFC         | Rev. 03     |
|   | Date: 2015-10-12            | Copyright: 2013 Trenz Electronic GmbH | Page2 of 15 |
|   | Filename: FPGA-PWR.SchDoc   |                                       |             |



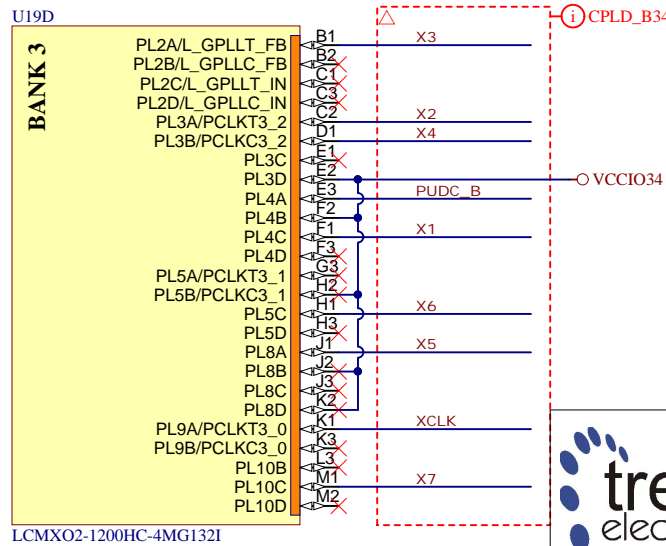
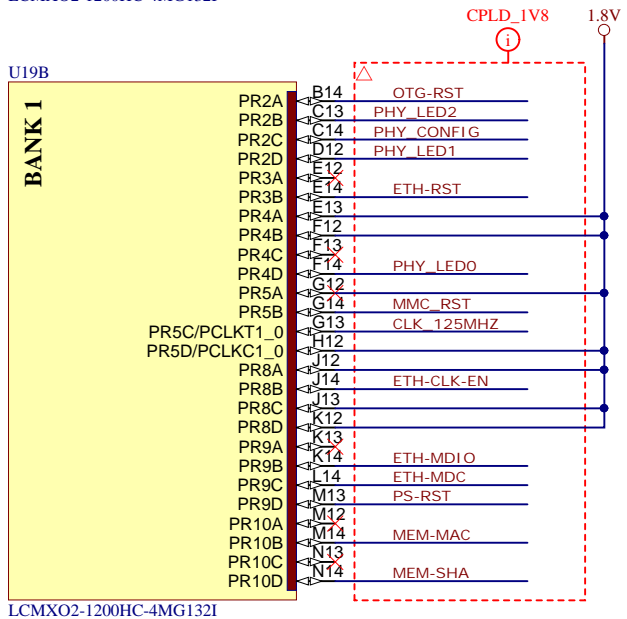
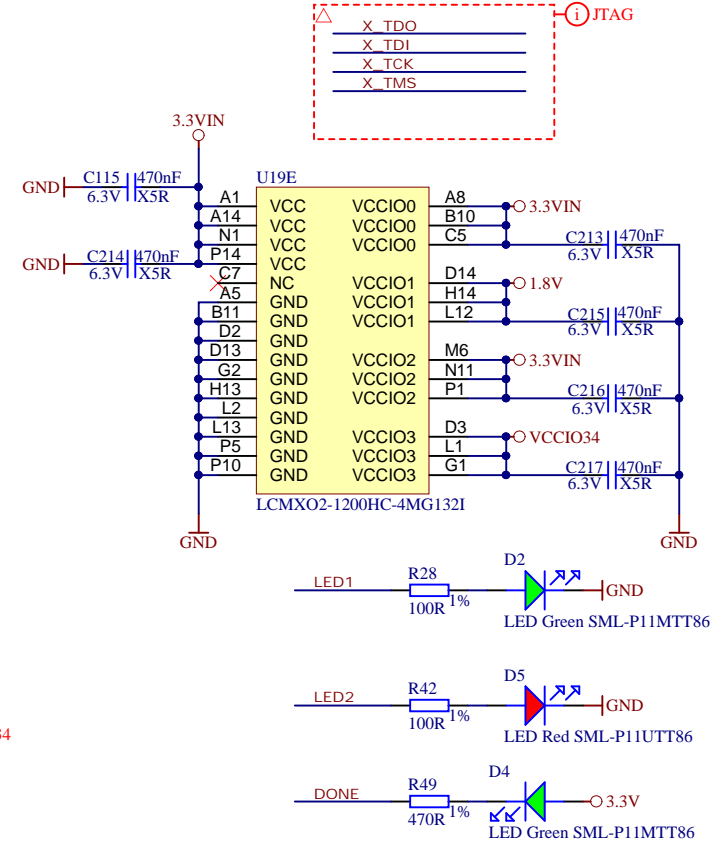
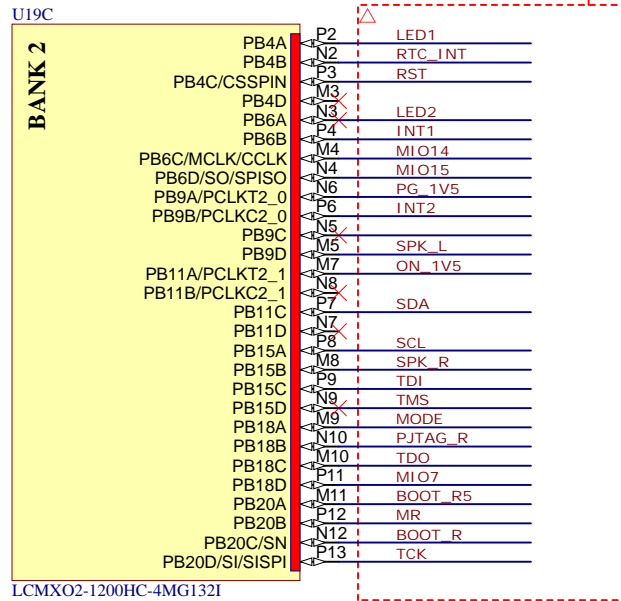
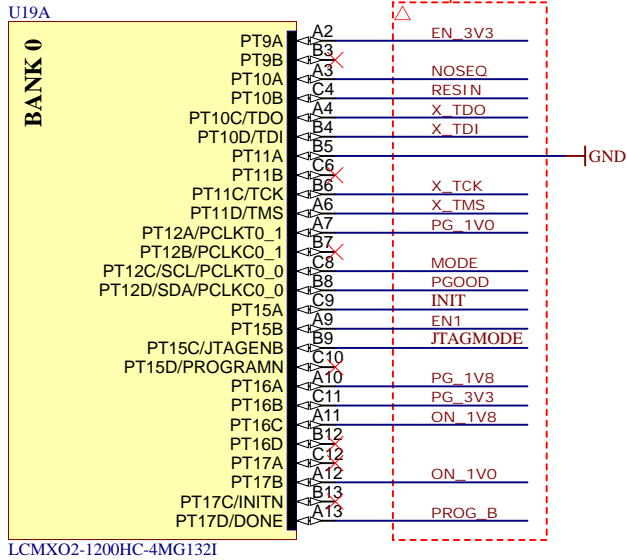
|  |                            |                                       |             |
|--|----------------------------|---------------------------------------|-------------|
|  | Title: GigaZee - B0        |                                       |             |
|  | A4                         | Number: TE0720<br>TE0720-1QFC         | Rev. 03     |
|  | Date: 2015-10-12           | Copyright: 2013 Trenz Electronic GmbH | Page3 of 15 |
|  | Filename: FPGA-MISC.SchDoc |                                       |             |



|                               |                                       |              |  |
|-------------------------------|---------------------------------------|--------------|--|
| Title: GigaZee - MIO - Config |                                       |              |  |
| A4                            | Number: TE0720<br>TE0720-1QFC         | Rev. 03      |  |
| Date: 2015-10-12              | Copyright: 2013 Trenz Electronic GmbH | Page 4 of 15 |  |
| Filename: MIO-BANKS.SchDoc    |                                       |              |  |



|                             |  |                            |
|-----------------------------|--|----------------------------|
| Title: <b>GigaZee - B13</b> |  |                            |
| A4                          | Number: <b>TE0720<br/>TE0720-1QFC</b>        | Rev. <b>03</b>             |
| Date: <b>2015-10-12</b>     | Copyright: <b>2013 Trenz Electronic GmbH</b> | Page <b>5</b> of <b>15</b> |
| Filename: <b>B13.SchDoc</b> |  |                            |



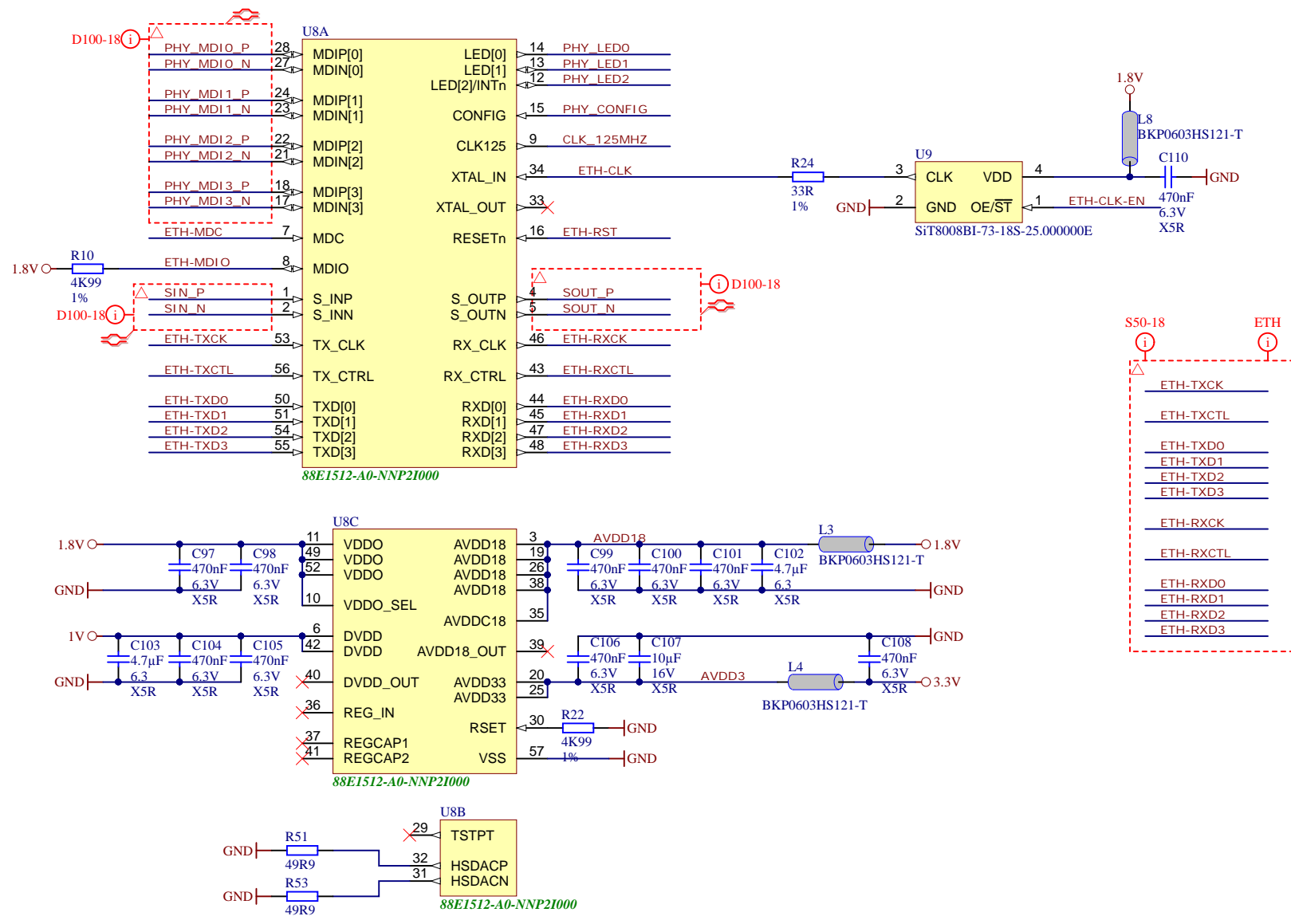
|                                    |                                       |             |
|------------------------------------|---------------------------------------|-------------|
| Title: GigaZee - System Controller |                                       |             |
| A4                                 | Number: TE0720<br>TE0720-1QFC         | Rev. 03     |
| Date: 2015-10-12                   | Copyright: 2013 Trenz Electronic GmbH | Page6 of 15 |
| Filename: SystemController.SchDoc  |                                       |             |


A

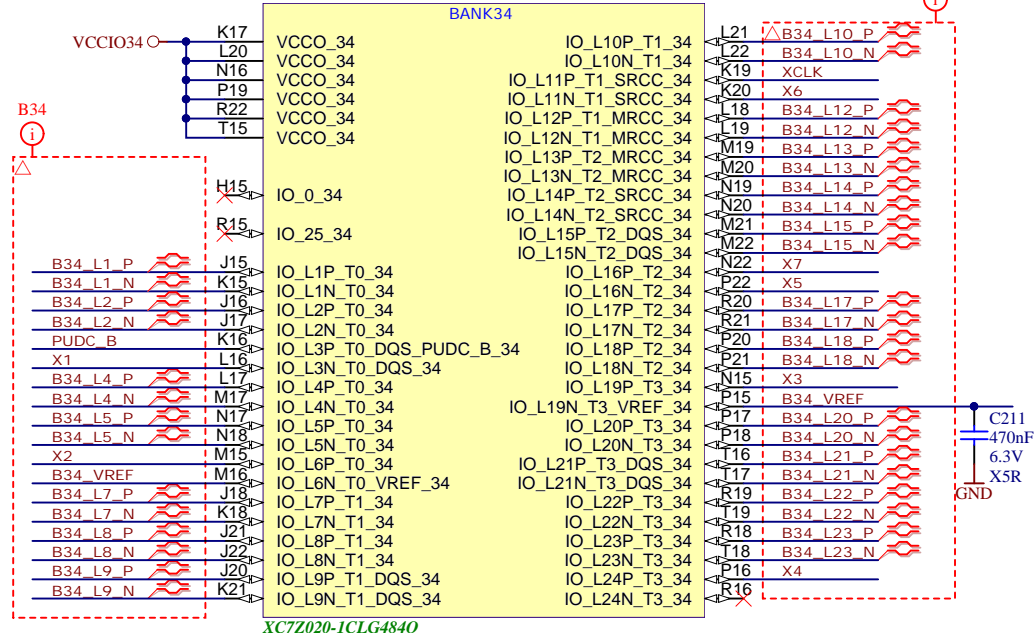
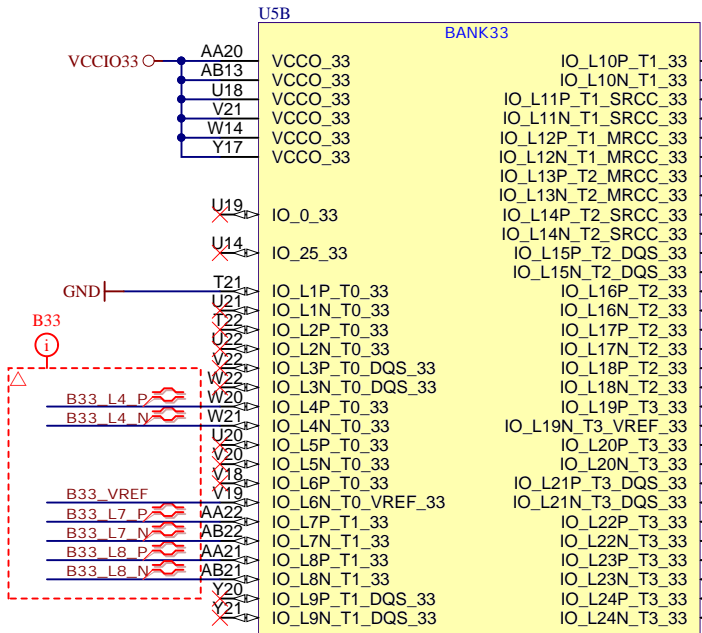
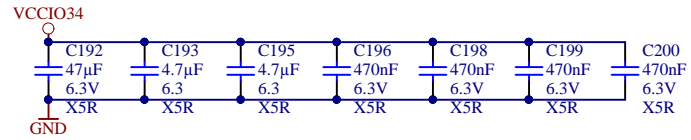
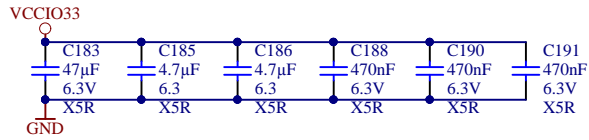
B

C

D



|   |  |                                       |                                  |   |
|---|--|---------------------------------------|----------------------------------|---|
|  |  |                                       | Title: <b>GigaZee - Ethernet</b> |   |
|   |  |                                       | A4                               | Number: <b>TE0720</b><br><b>TE0720-1QFC</b> |
| Date: 2015-10-12  |  | Copyright: 2013 Trenz Electronic GmbH |                                  | Page 7 of 15                                |
| Filename: <b>ETH-PHY.SchDoc</b>   |  |                                       |                                  |   |



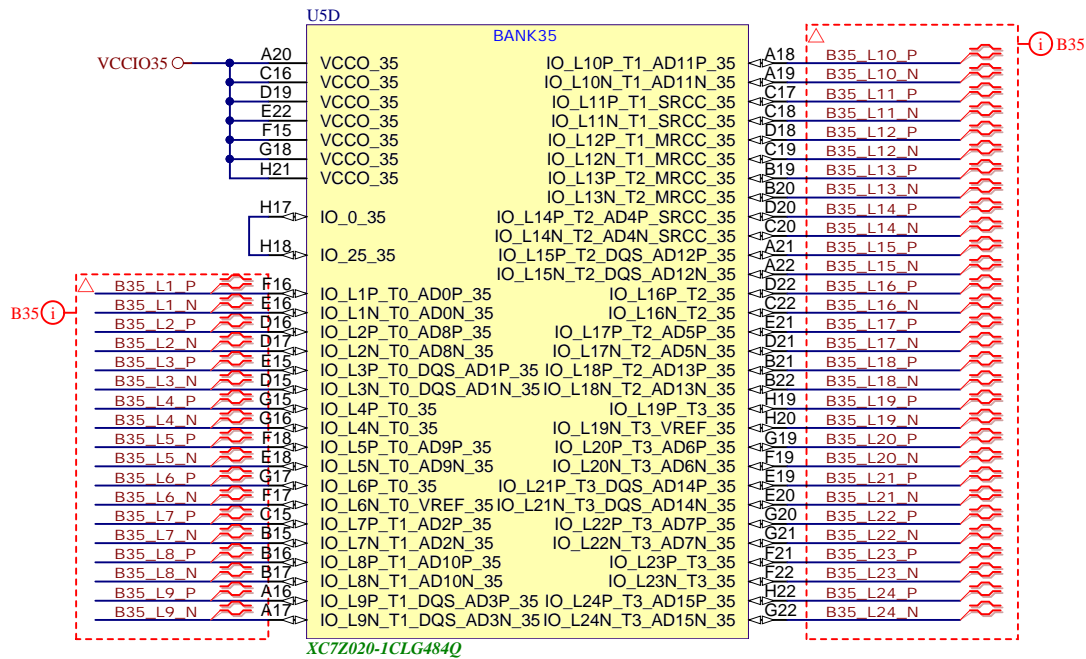
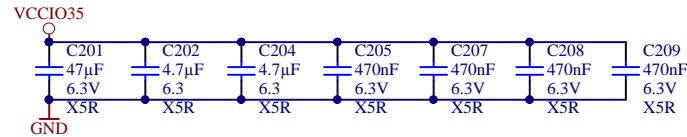
XC7Z020-1CLG484Q

XC7Z020-1CLG484Q



|                            |                                       |             |
|----------------------------|---------------------------------------|-------------|
| Title: GigaZee - B33 - B34 |                                       |             |
| A4                         | Number: TE0720<br>TE0720-1QFC         | Rev. 03     |
| Date: 2015-10-12           | Copyright: 2013 Trenz Electronic GmbH | Page8 of 15 |
| Filename: B33-B34.SchDoc   |                                       |             |

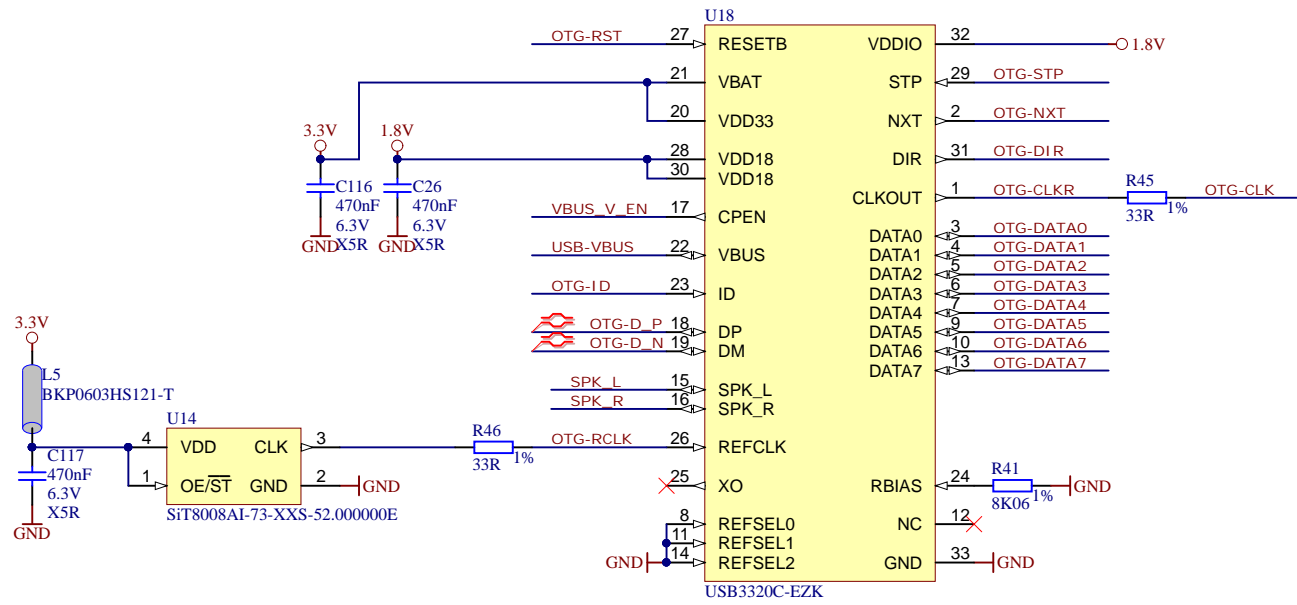




XC7Z020-1CLG484Q



|                      |                                       |             |
|----------------------|---------------------------------------|-------------|
| Title: GigaZee - B35 |                                       |             |
| A4                   | Number: TE0720<br>TE0720-1QFC         | Rev. 03     |
| Date: 2015-10-12     | Copyright: 2013 Trenz Electronic GmbH | Page9 of 15 |
| Filename: B35.SchDoc |                                       |             |



|  |                                 |  |                             |
|--|---------------------------------|--|-----------------------------|
|  | Title: <b>GigaZee - USB</b>     |  |                             |
|  | A4                              | Number: <b>TE0720<br/>TE0720-1QFC</b>        | Rev. <b>03</b>              |
|  | Date: <b>2015-10-12</b>         | Copyright: <b>2013 Trenz Electronic GmbH</b> | Page <b>10</b> of <b>15</b> |
|  | Filename: <b>USB-PHY.SchDoc</b> |  |                             |

A

B

C

D

A

B

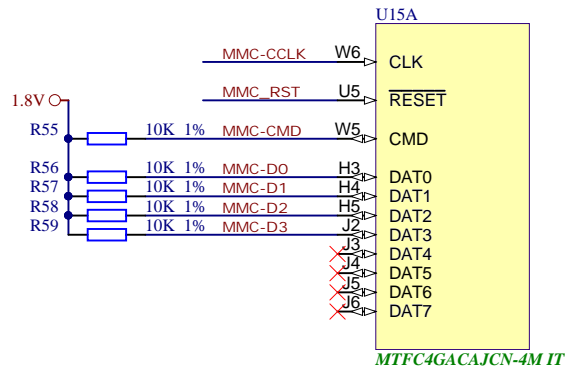
C

D

U15D

|     |    |    |      |
|-----|----|----|------|
| A4  | NC | NC | R2   |
| A6  | NC | NC | R3   |
| A9  | NC | NC | R12  |
| A11 | NC | NC | R13  |
| B2  | NC | NC | R14  |
| B13 | NC | NC | T1   |
| D1  | NC | NC | T2   |
| D14 | NC | NC | T3   |
| H1  | NC | NC | T12  |
| H2  | NC | NC | T13  |
| H8  | NC | NC | T14  |
| H9  | NC | NC | U1   |
| H10 | NC | NC | U2   |
| H11 | NC | NC | U3   |
| H12 | NC | NC | U12  |
| H13 | NC | NC | U13  |
| H14 | NC | NC | U14  |
| J1  | NC | NC | V1   |
| J7  | NC | NC | V2   |
| J8  | NC | NC | V3   |
| J9  | NC | NC | V12  |
| J10 | NC | NC | V13  |
| J11 | NC | NC | V14  |
| J12 | NC | NC | W1   |
| J13 | NC | NC | W2   |
| J14 | NC | NC | W3   |
| K1  | NC | NC | W7   |
| K3  | NC | NC | W8   |
| K7  | NC | NC | W9   |
| K8  | NC | NC | W10  |
| K9  | NC | NC | W11  |
| K10 | NC | NC | W12  |
| K11 | NC | NC | W13  |
| K12 | NC | NC | W14  |
| K13 | NC | NC | Y1   |
| K14 | NC | NC | Y3   |
| L1  | NC | NC | Y6   |
| L2  | NC | NC | Y7   |
| L3  | NC | NC | Y8   |
| L4  | NC | NC | Y9   |
| L12 | NC | NC | Y10  |
| L13 | NC | NC | Y11  |
| L14 | NC | NC | Y12  |
| M1  | NC | NC | Y13  |
| M2  | NC | NC | Y14  |
| M3  | NC | NC | AA1  |
| M12 | NC | NC | AA2  |
| M13 | NC | NC | AA8  |
| M14 | NC | NC | AA9  |
| N1  | NC | NC | AA11 |
| N2  | NC | NC | AA12 |
| N3  | NC | NC | AA13 |
| N12 | NC | NC | AA14 |
| N13 | NC | NC | AE1  |
| N14 | NC | NC | AE14 |
| P1  | NC | NC | AG2  |
| P2  | NC | NC | AG13 |
| P12 | NC | NC | AH4  |
| P13 | NC | NC | AH6  |
| P14 | NC | NC | AH9  |
| R1  | NC | NC | AH11 |

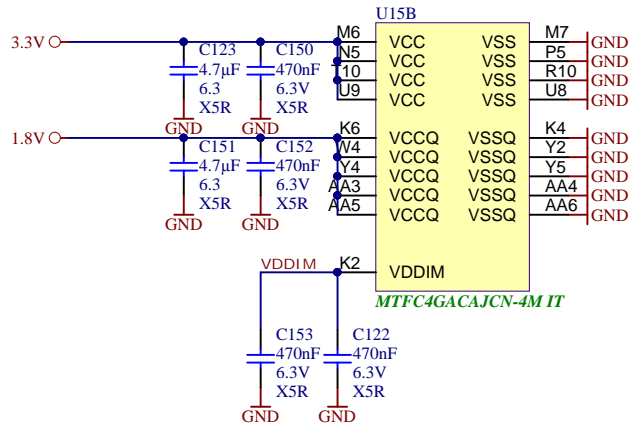
MTFC4GACAJCN-4M IT



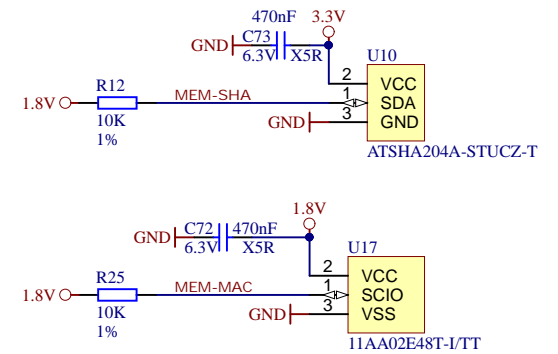
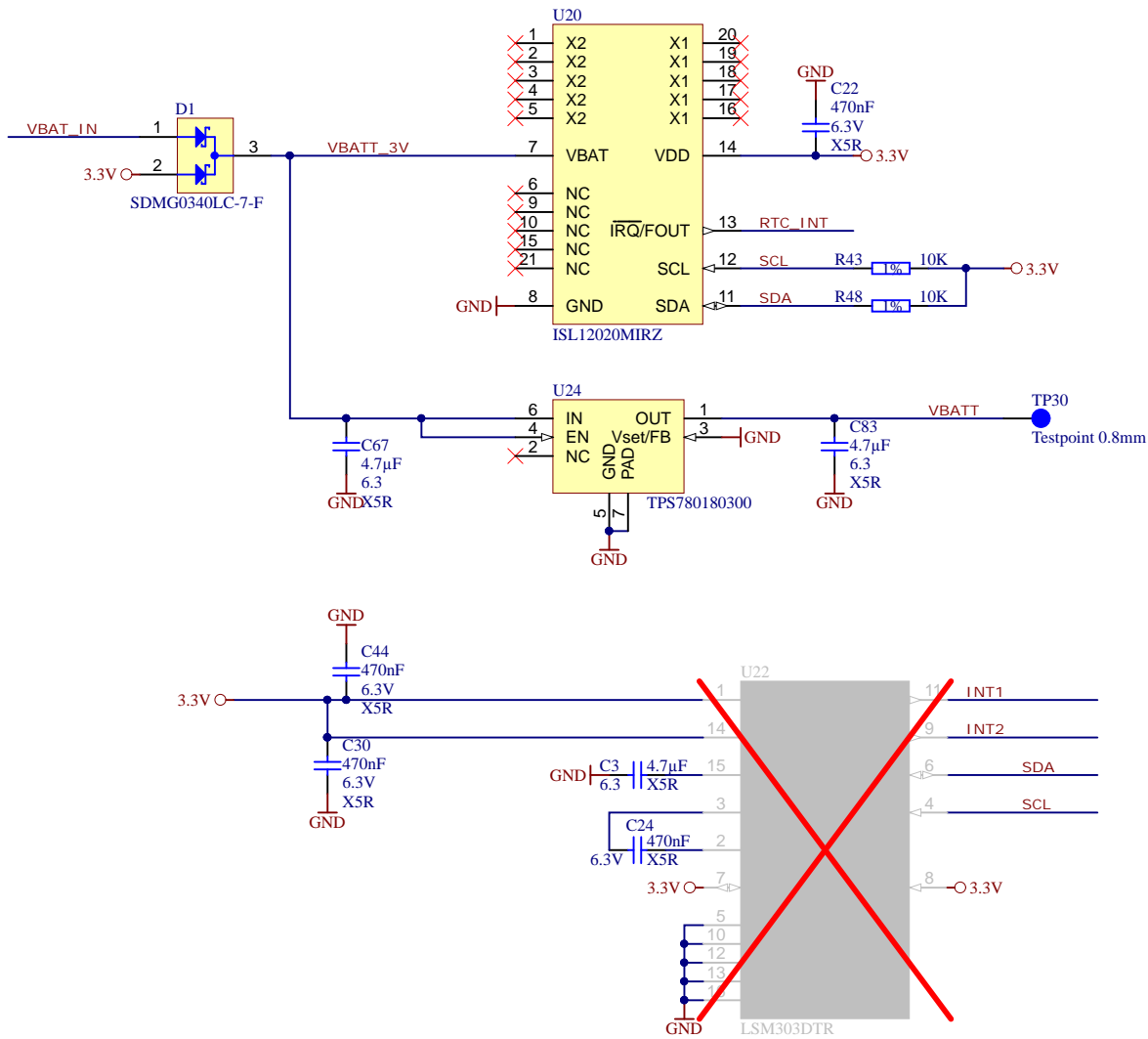
U15C


|      |     |
|------|-----|
| H6   | RFU |
| H7   | RFU |
| K5   | RFU |
| M5   | RFU |
| M8   | RFU |
| M9   | RFU |
| M10  | RFU |
| N10  | RFU |
| P3   | RFU |
| P10  | RFU |
| R5   | RFU |
| T5   | RFU |
| U6   | RFU |
| U7   | RFU |
| U10  | RFU |
| AA7  | RFU |
| AA10 | RFU |

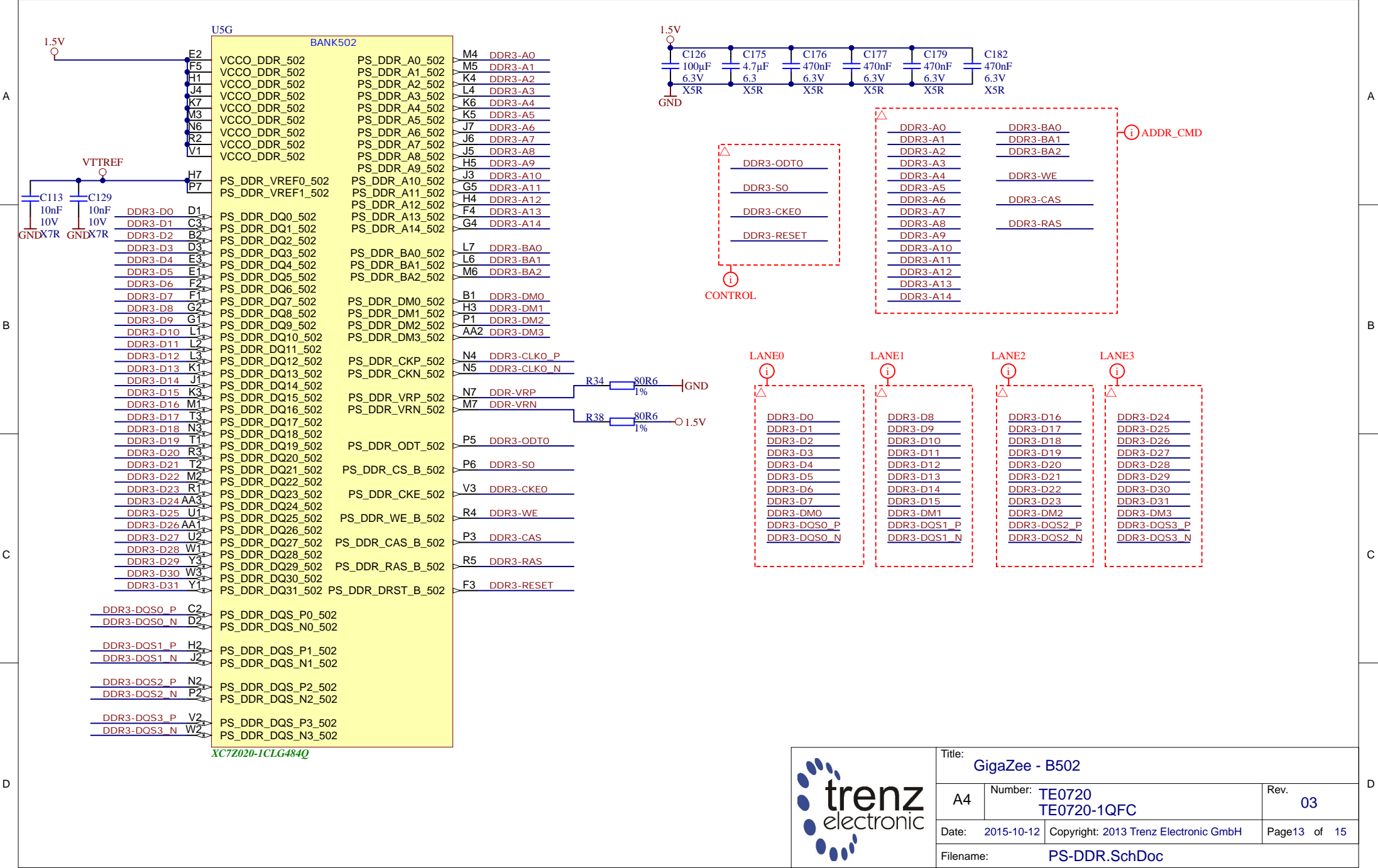
MTFC4GACAJCN-4M IT




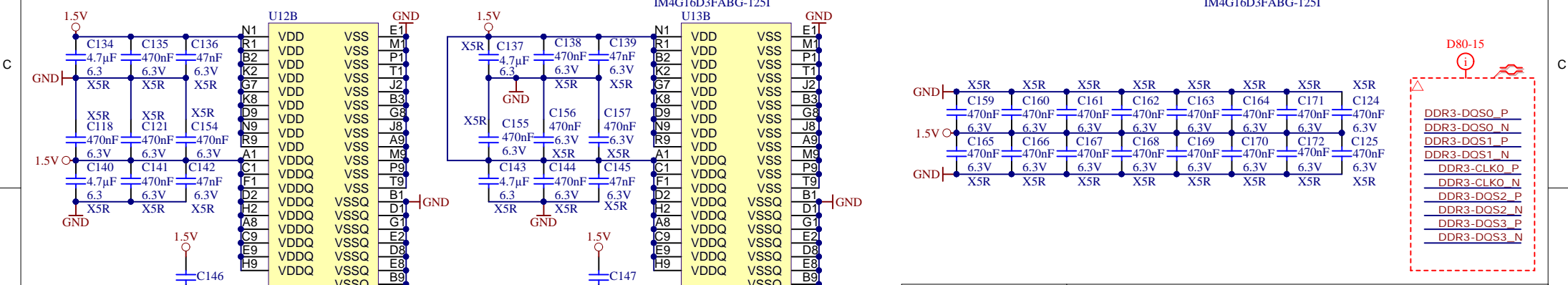
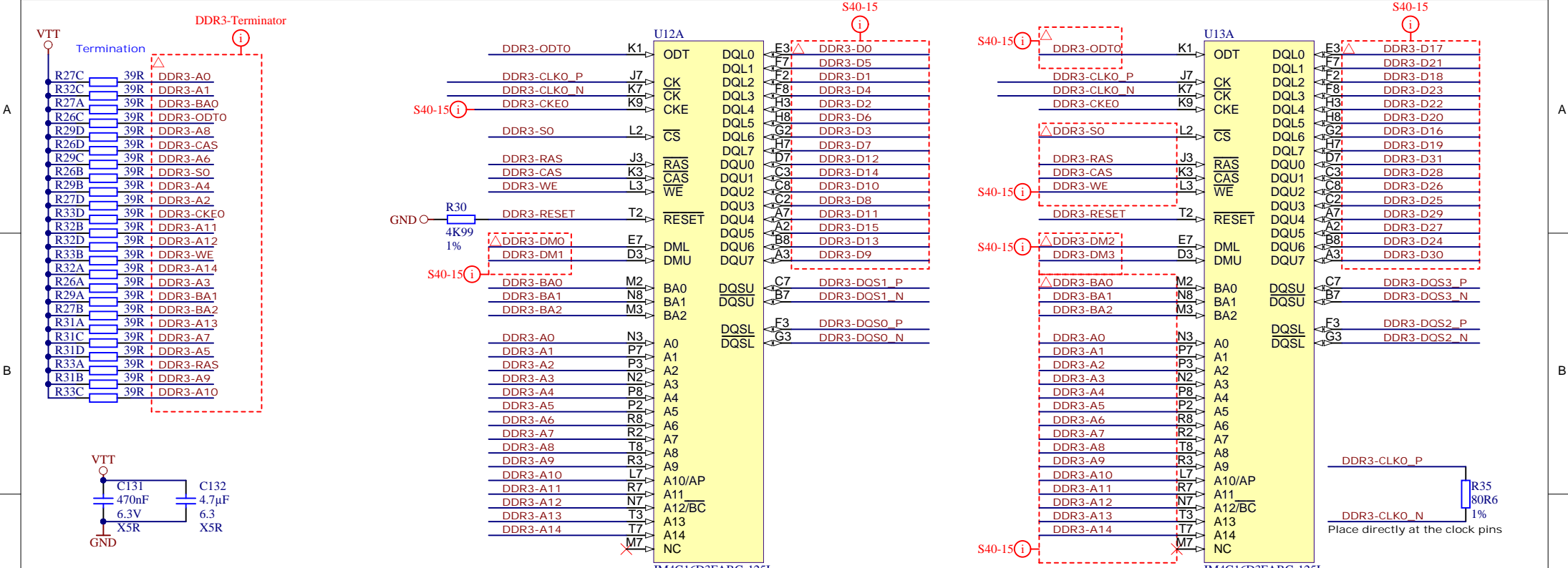
|                        |                                       |               |  |
|------------------------|---------------------------------------|---------------|--|
| Title: GigaZee - eNAND |                                       |               |  |
| A4                     | Number: TE0720<br>TE0720-1QFC         | Rev. 03       |  |
| Date: 2015-10-12       | Copyright: 2013 Trenz Electronic GmbH | Page 11 of 15 |  |
| Filename: eMMC.SchDoc  |                                       |               |  |



|   |  |                                       |                                      |                               |
|---|--|---------------------------------------|--------------------------------------|-------------------------------|
|  |  |                                       | Title: GigaZee - RTC, MEMS, SHA, MAC |                               |
|   |  |                                       | A4                                   | Number: TE0720<br>TE0720-1QFC |
| Date: 2015-10-12  |  | Copyright: 2013 Trenz Electronic GmbH |                                      | Page 12 of 15                 |
| Filename: SENSOR-RTC.SchDoc   |  |                                       |                                      |                               |



|   |  |                                       |                       |                               |
|---|--|---------------------------------------|-----------------------|-------------------------------|
|  |  |                                       | Title: GigaZee - B502 |                               |
|   |  |                                       | A4                    | Number: TE0720<br>TE0720-1QFC |
| Date: 2015-10-12  |  | Copyright: 2013 Trenz Electronic GmbH |                       | Page13 of 15                  |
| Filename: PS-DDR.SchDoc   |  |                                       |                       |                               |



|                                  |                                       |                |
|----------------------------------|---------------------------------------|----------------|
| Title: <b>GigaZee - DDR3</b>     |                                       |                |
| A4                               | Number: <b>TE0720<br/>TE0720-1QFC</b> | Rev. <b>03</b> |
| Date: 2015-10-12                 | Copyright: 2013 Trenz Electronic GmbH |                |
| Filename: <b>DDR3-RAM.SchDoc</b> |                                       | Page 14 of 15  |

1

2

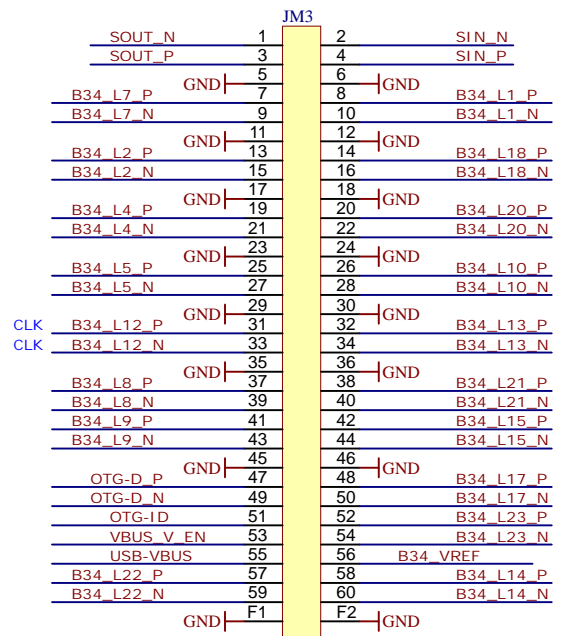
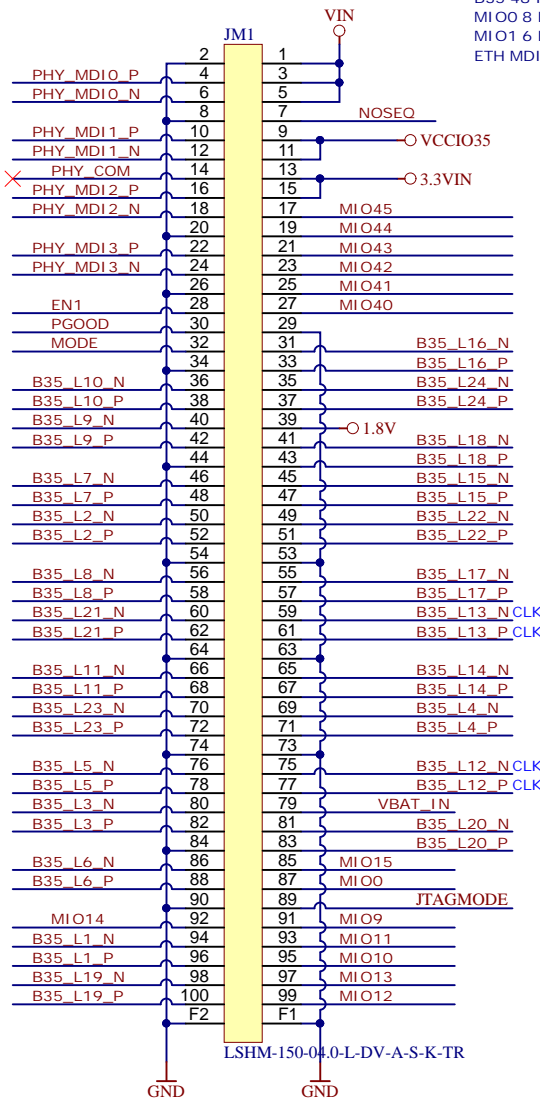
3

4

B35 48 IO, 24 LVDS Pairs  
 MIO0 8 IO, 3.3V  
 MIO1 6 IO 1.8V  
 ETH MDI Copper

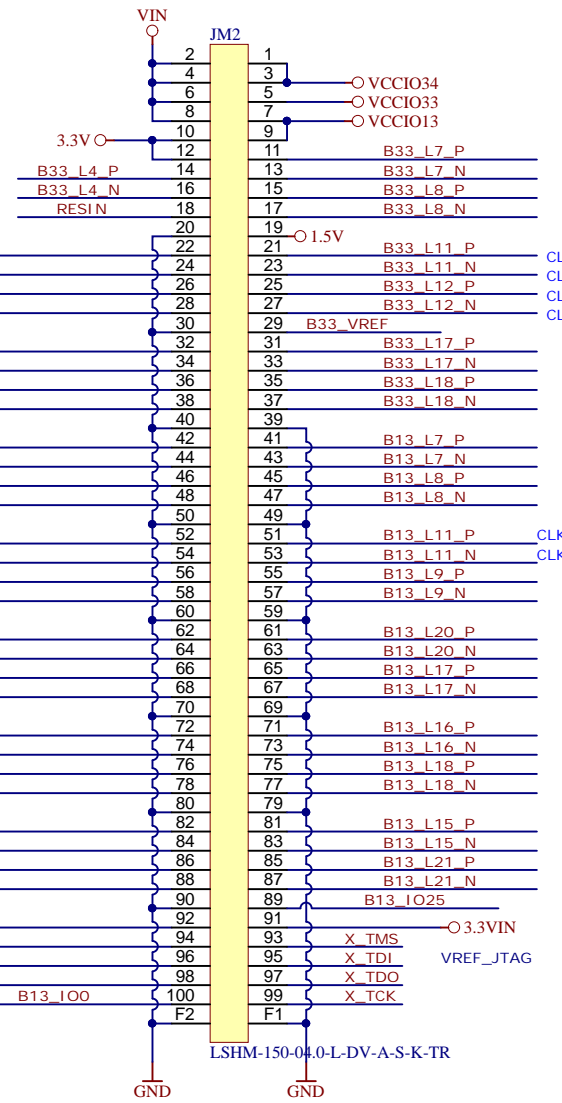
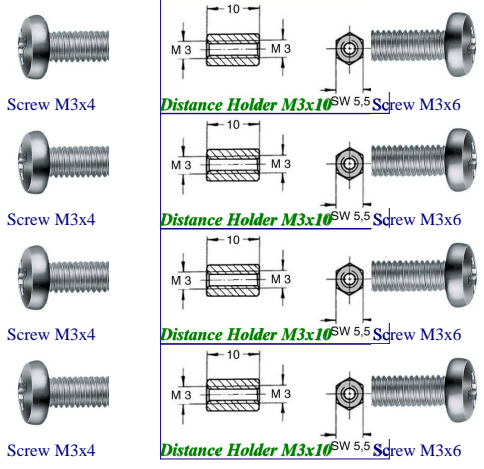
B34 36 IO, 18 LVDS Pairs  
 USB OTG  
 ETH SGMII

B33 18 IO, 9 LVDS Pairs  
 B13 48 IO, 24 LVDS Pairs  
 B13 2 IO



LSHM-130-04.0-L-DV-A-S-K-TR

Top of Board



LSHM-150-04.0-L-DV-A-S-K-TR



|                                 |                                       |               |
|---------------------------------|---------------------------------------|---------------|
| Title: GigaZee - B2B Connector  |                                       |               |
| A4                              | Number: TE0720<br>TE0720-1QFC         | Rev. 03       |
| Date: 2015-10-12                | Copyright: 2013 Trenz Electronic GmbH | Page 15 of 15 |
| Filename: B2B-Connectors.SchDoc |                                       |               |

1

2

3

4