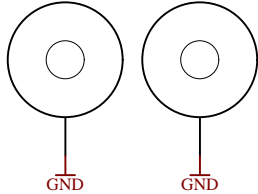
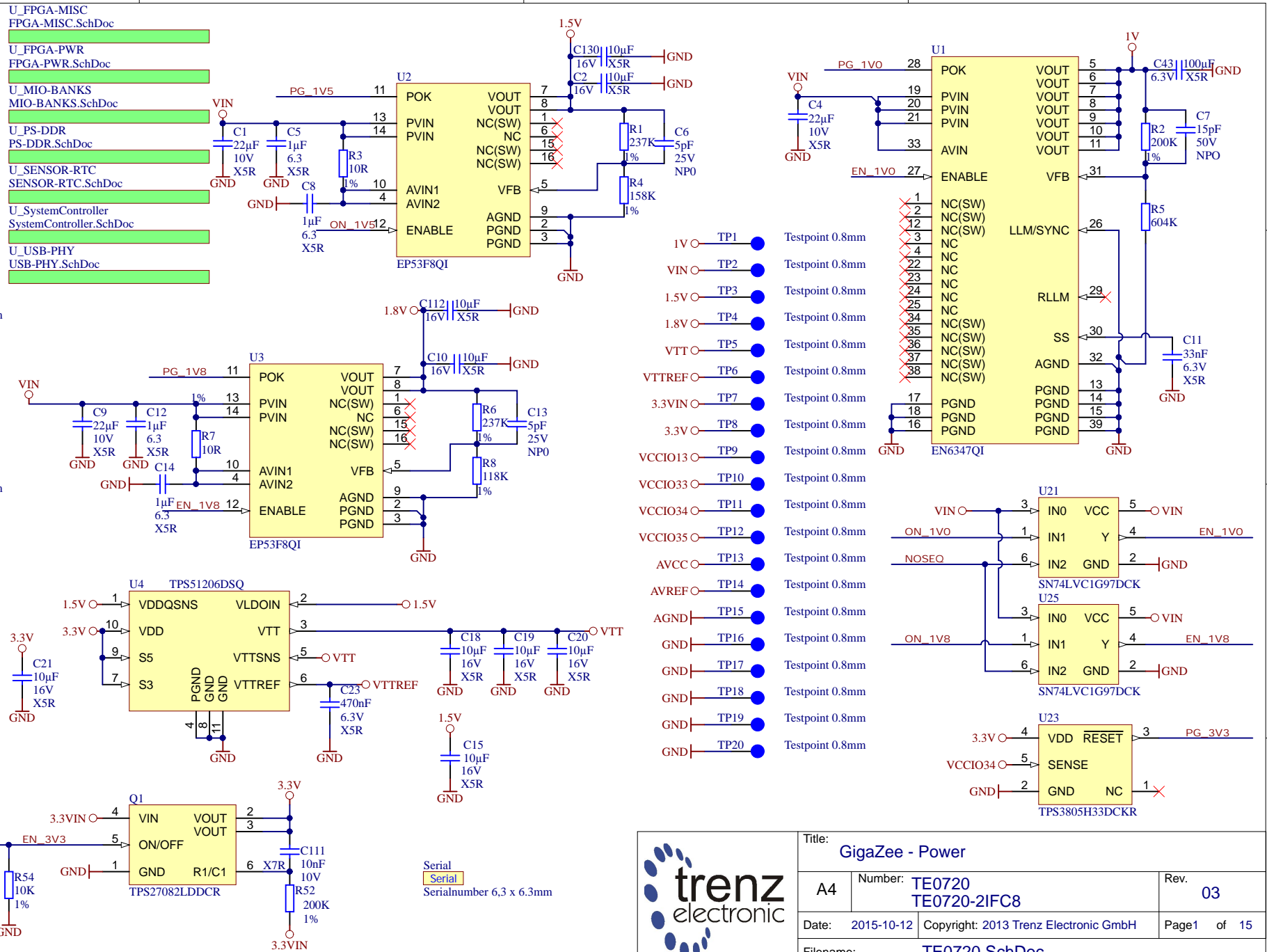
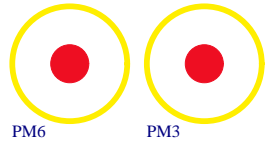
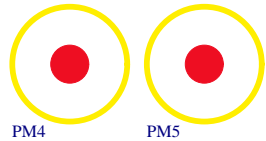
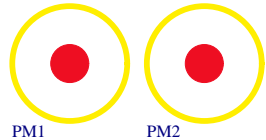
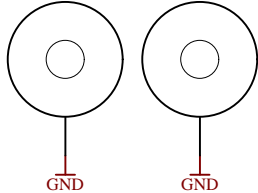


U_B2B-Connectors	U_FPGA-MISC
B2B-Connectors.SchDoc	FPGA-MISC.SchDoc
U_B13	U_FPGA-PWR
B13.SchDoc	FPGA-PWR.SchDoc
U_B33-B34	U_MIO-BANKS
B33-B34.SchDoc	MIO-BANKS.SchDoc
U_B35	U_PS-DDR
B35.SchDoc	PS-DDR.SchDoc
U_DDR3-RAM	U_SENSOR-RTC
DDR3-RAM.SchDoc	SENSOR-RTC.SchDoc
U_eMMC	U_SystemController
eMMC.SchDoc	SystemController.SchDoc
U_ETH-PHY	U_USB-PHY
ETH-PHY.SchDoc	USB-PHY.SchDoc

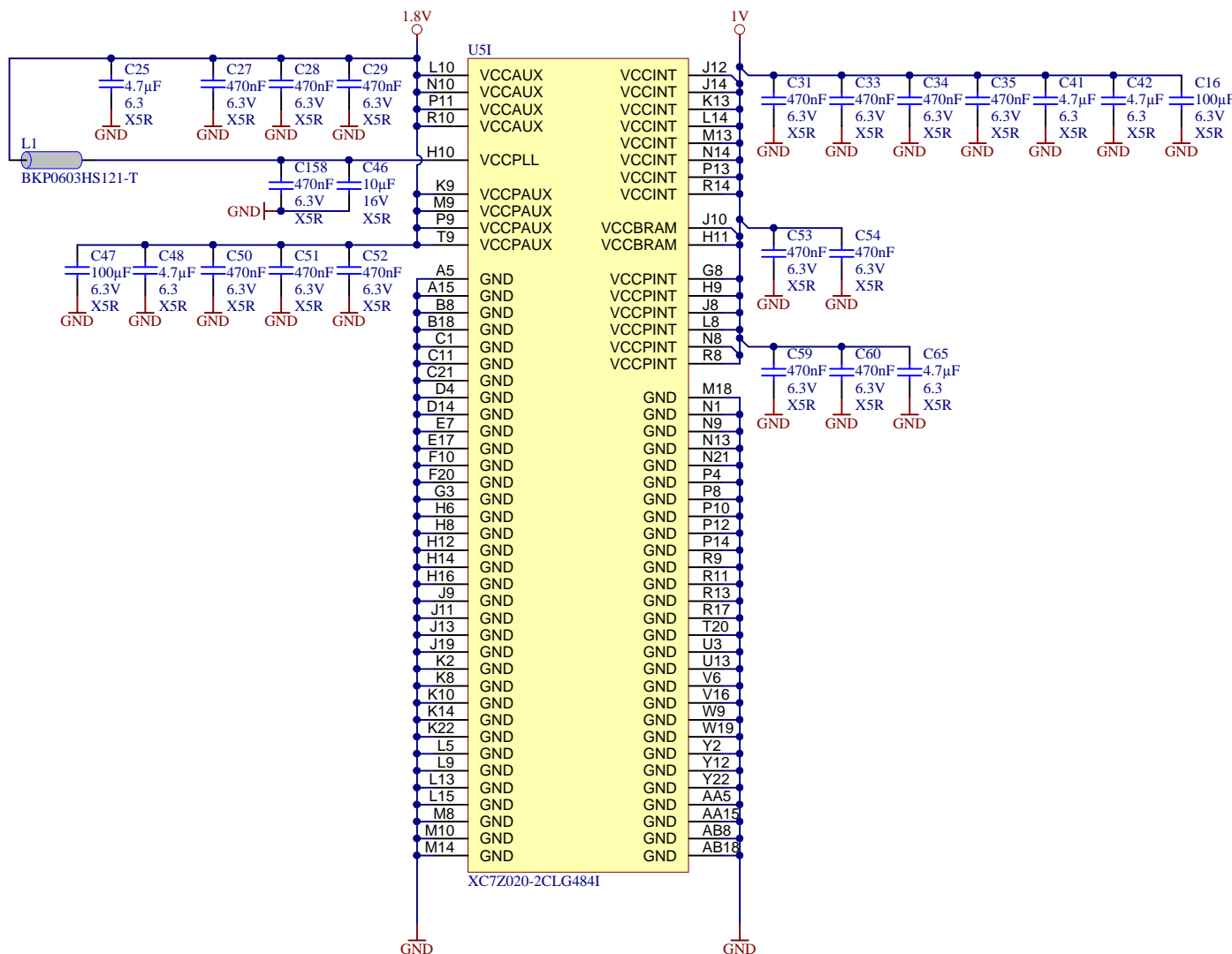

Mount.Hole 3.2mmMount.Hole 3.2mm



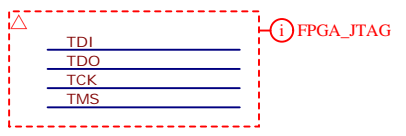
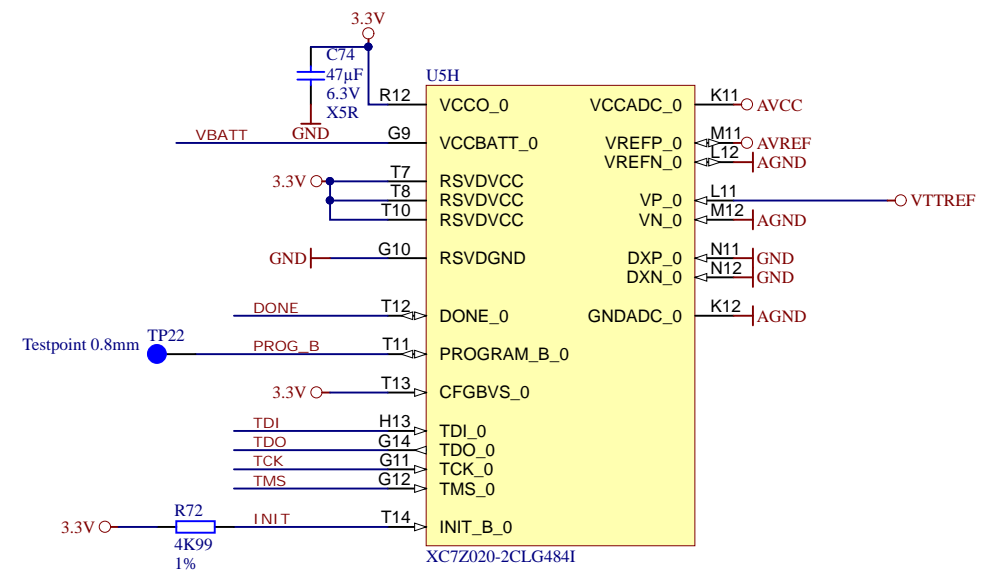
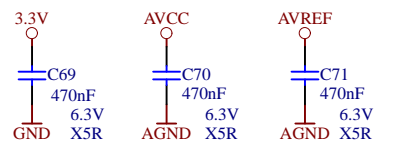
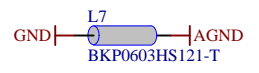
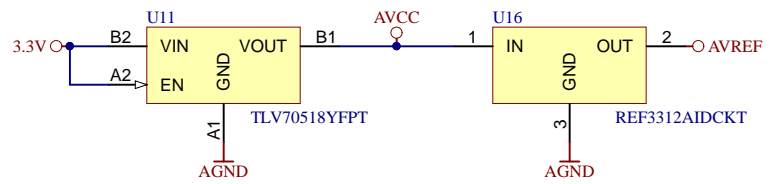
Mount.Hole 3.2mmMount.Hole 3.2mm



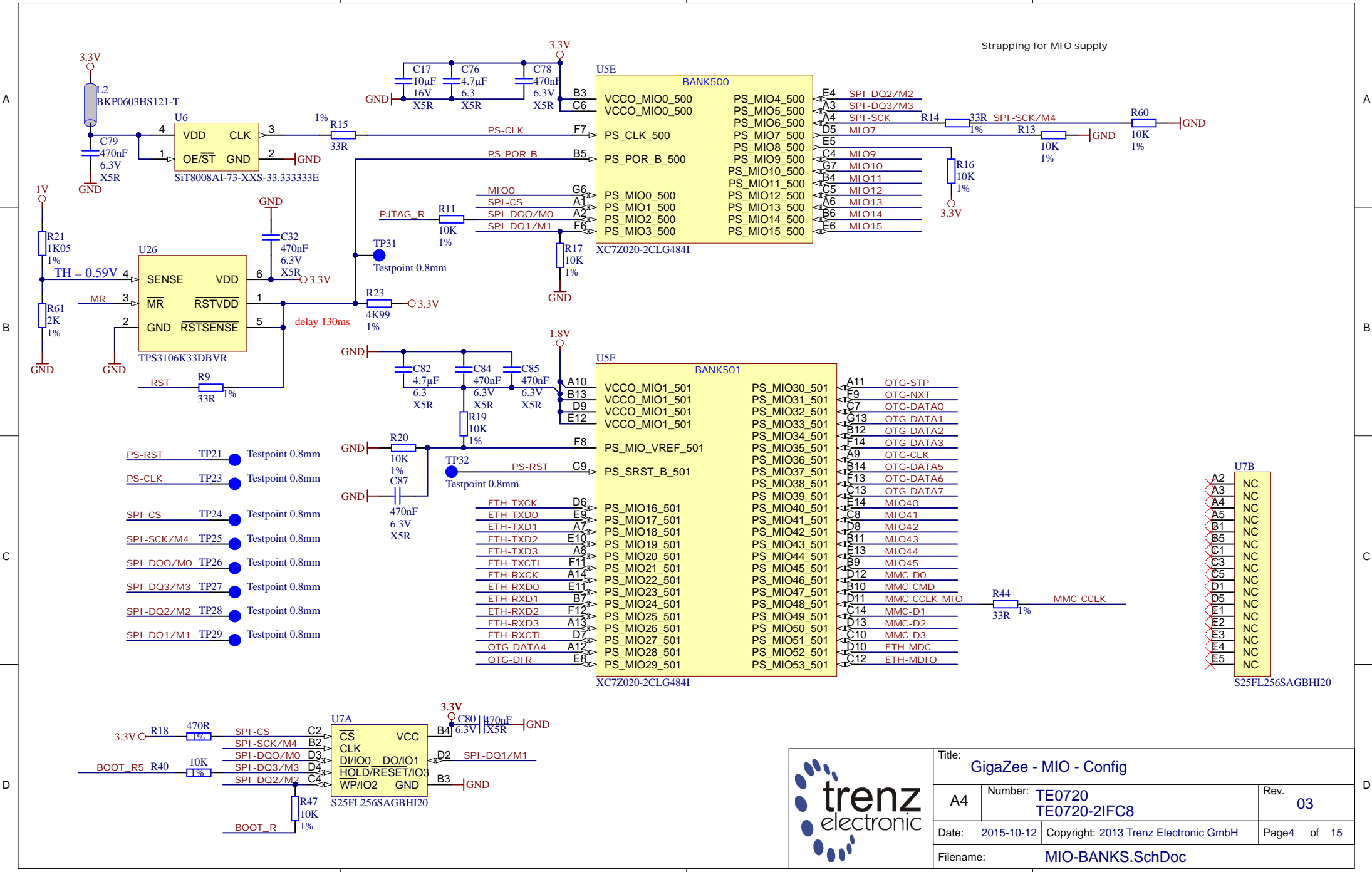
Title: GigaZee - Power		
A4	Number: TE0720 TE0720-2IFC8	Rev. 03
Date: 2015-10-12	Copyright: 2013 Trenz Electronic GmbH	Page1 of 15
Filename: TE0720.SchDoc		

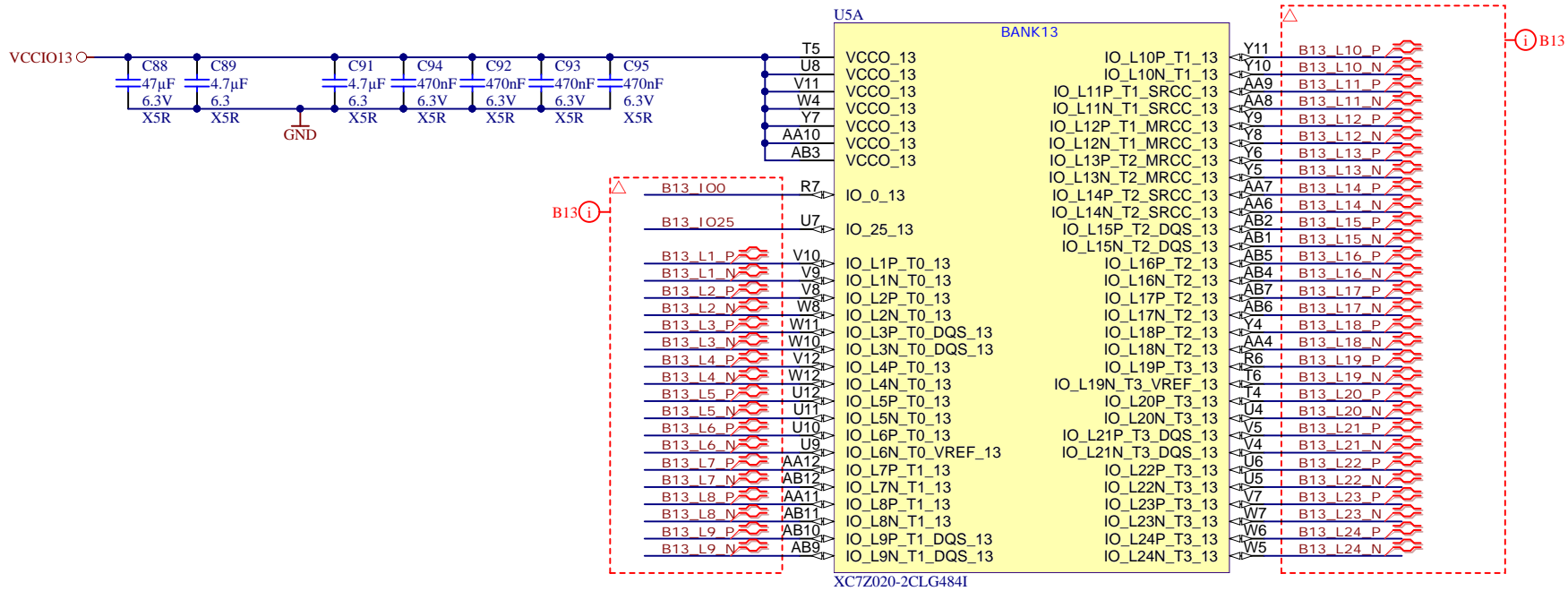
Title: GigaZee - FPGA Power		
A4	Number: TE0720 TE0720-2IFC8	Rev. 03
Date: 2015-10-12	Copyright: 2013 Trenz Electronic GmbH	Page2 of 15
Filename: FPGA-PWR.SchDoc		



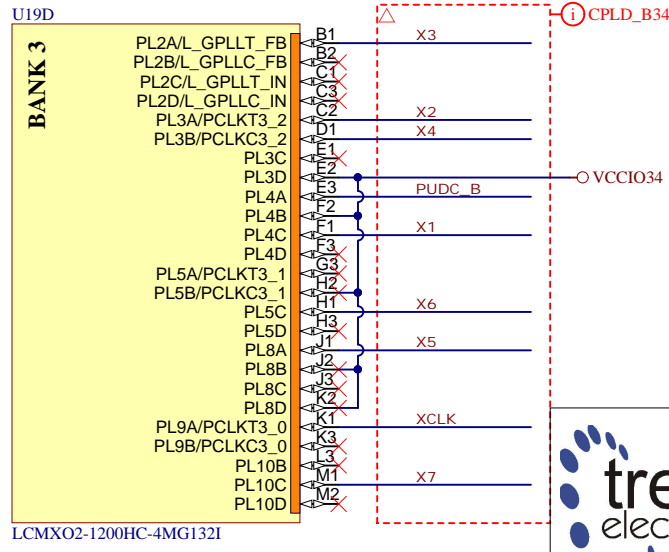
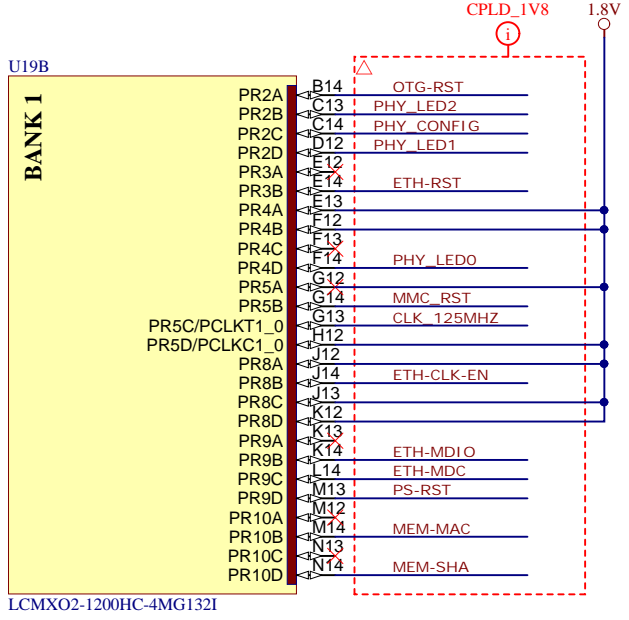
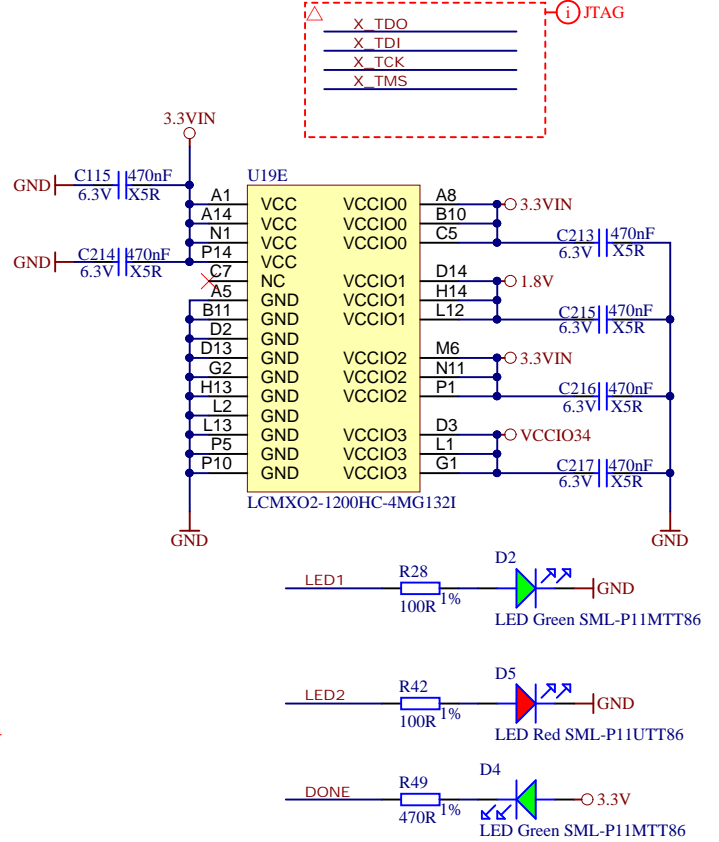
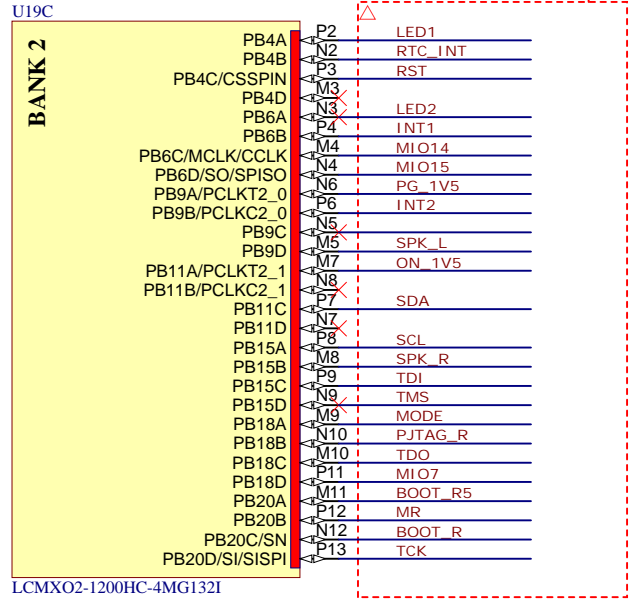
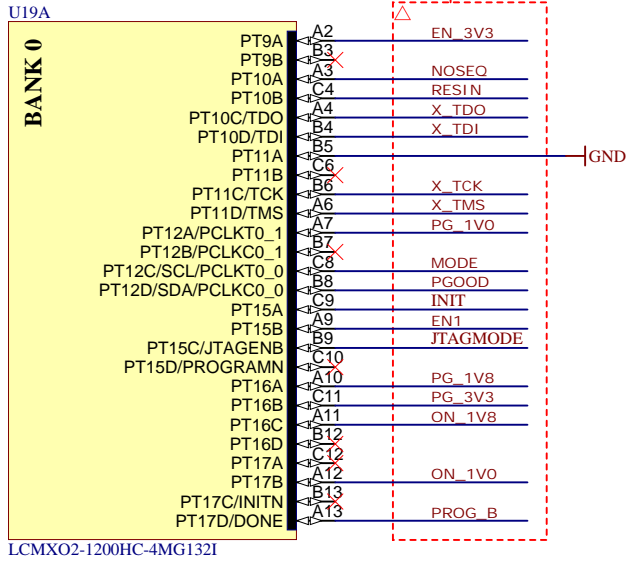
	Title: GigaZee - B0		
	A4	Number: TE0720 TE0720-2IFC8	Rev. 03
	Date: 2015-10-12	Copyright: 2013 Trenz Electronic GmbH	Page3 of 15
	Filename: FPGA-MISC.SchDoc		



Title: GigaZee - MIO - Config		
A4	Number: TE0720 TE0720-2IFC8	Rev. 03
Date: 2015-10-12	Copyright: 2013 Trenz Electronic GmbH	Page4 of 15
Filename: MIO-BANKS.SchDoc		



Title: GigaZee - B13		
A4	Number: TE0720 TE0720-2IFC8	Rev. 03
Date: 2015-10-12	Copyright: 2013 Trenz Electronic GmbH	Page5 of 15
Filename: B13.SchDoc		



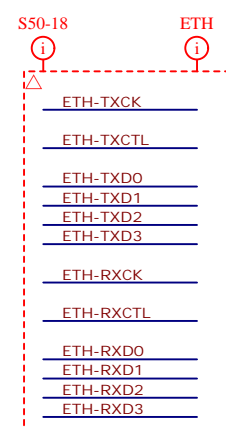
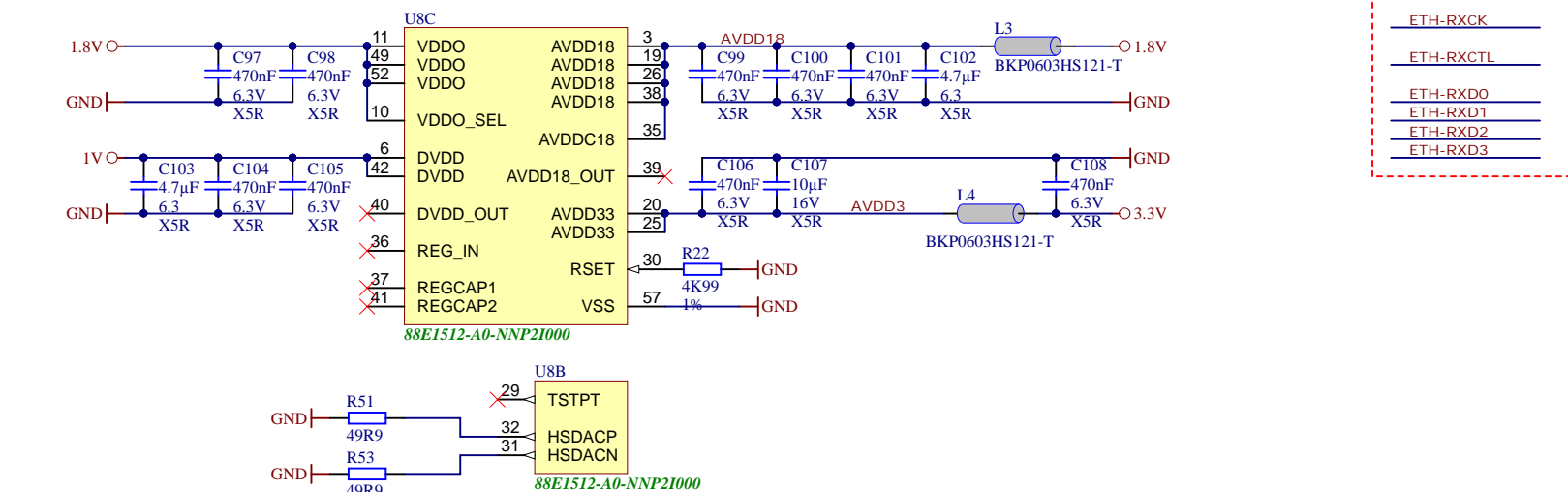
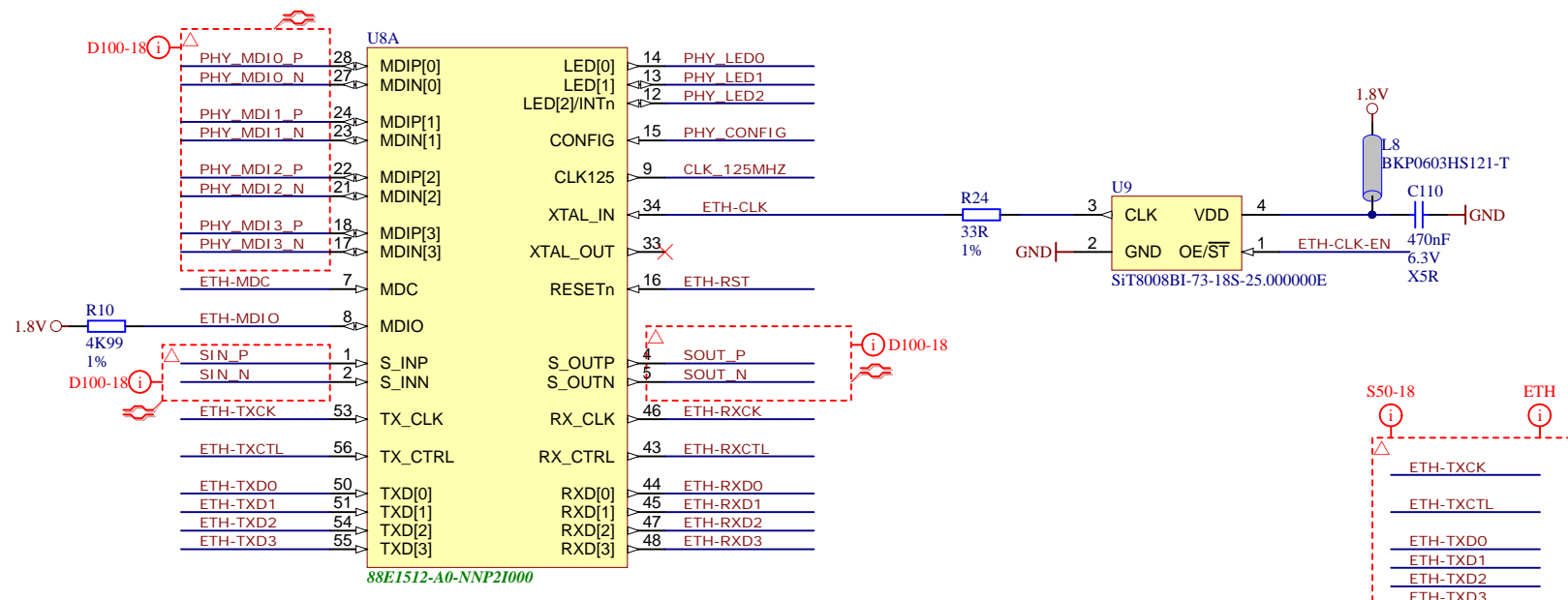
Title: GigaZee - System Controller		
A4	Number: TE0720 TE0720-2IFC8	Rev. 03
Date: 2015-10-12	Copyright: 2013 Trenz Electronic GmbH	Page6 of 15
Filename: SystemController.SchDoc		

A

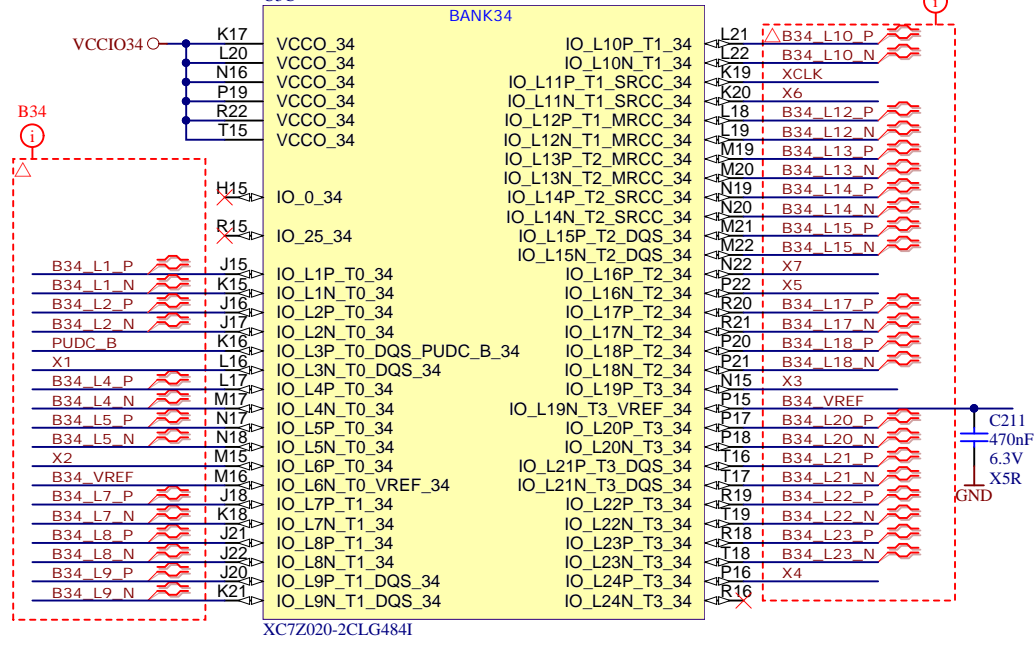
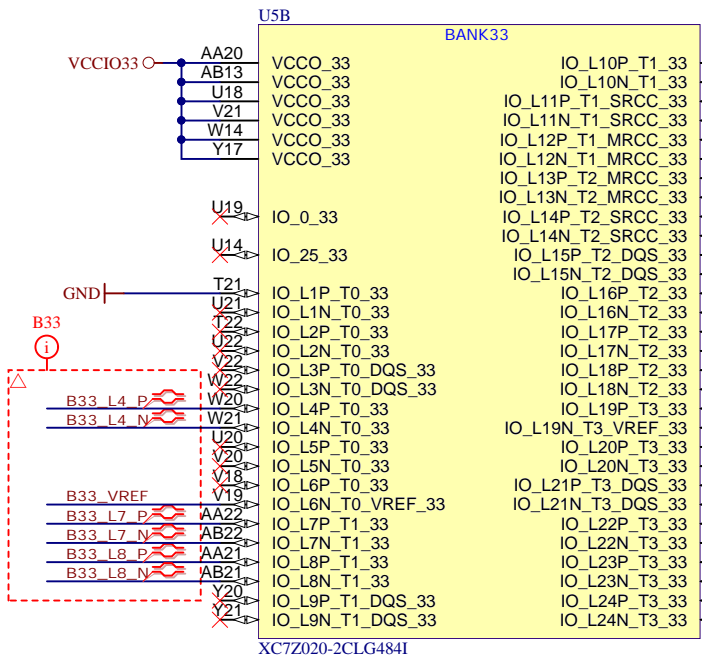
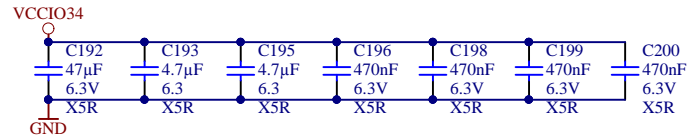
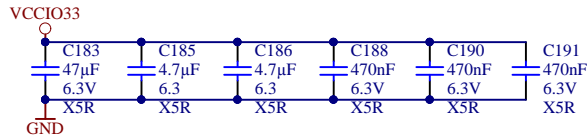
B

C

D

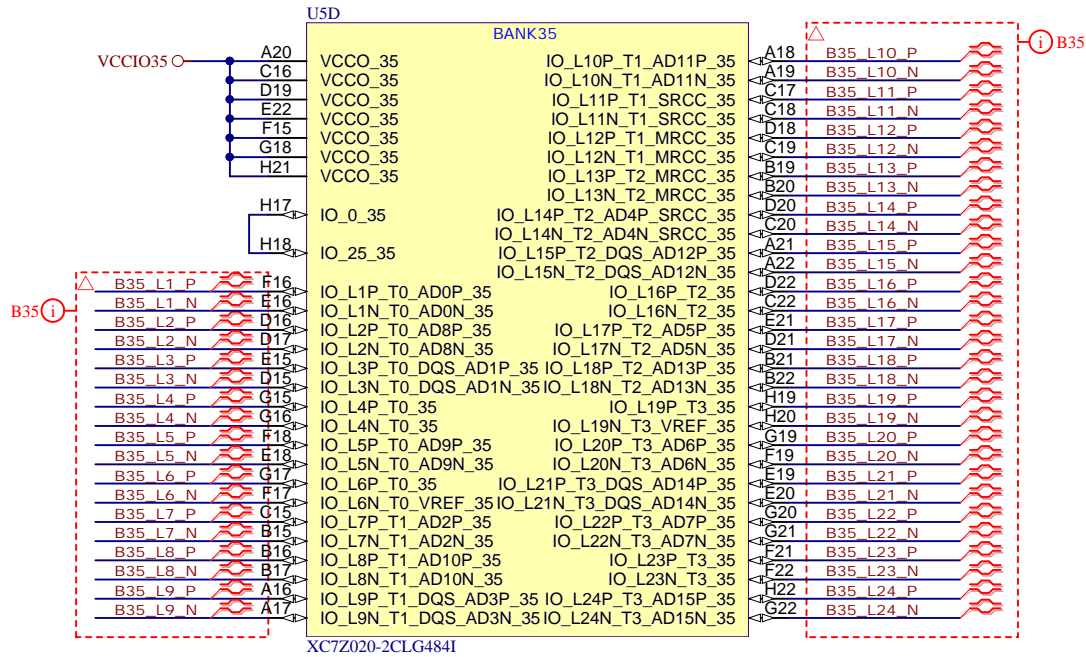
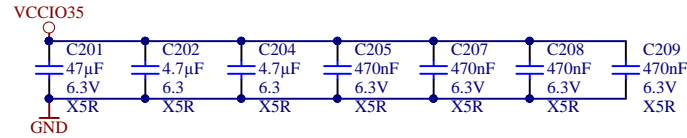


Title: <b>GigaZee - Ethernet</b>		
A4	Number: <b>TE0720 TE0720-2IFC8</b>	Rev. <b>03</b>
Date: 2015-10-12	Copyright: 2013 Trenz Electronic GmbH	Page7 of 15
Filename: <b>ETH-PHY.SchDoc</b>		



Title: GigaZee - B33 - B34			
A4	Number: TE0720 TE0720-2IFC8	Rev. 03	
Date: 2015-10-12	Copyright: 2013 Trenz Electronic GmbH	Page8	of 15
Filename: B33-B34.SchDoc			

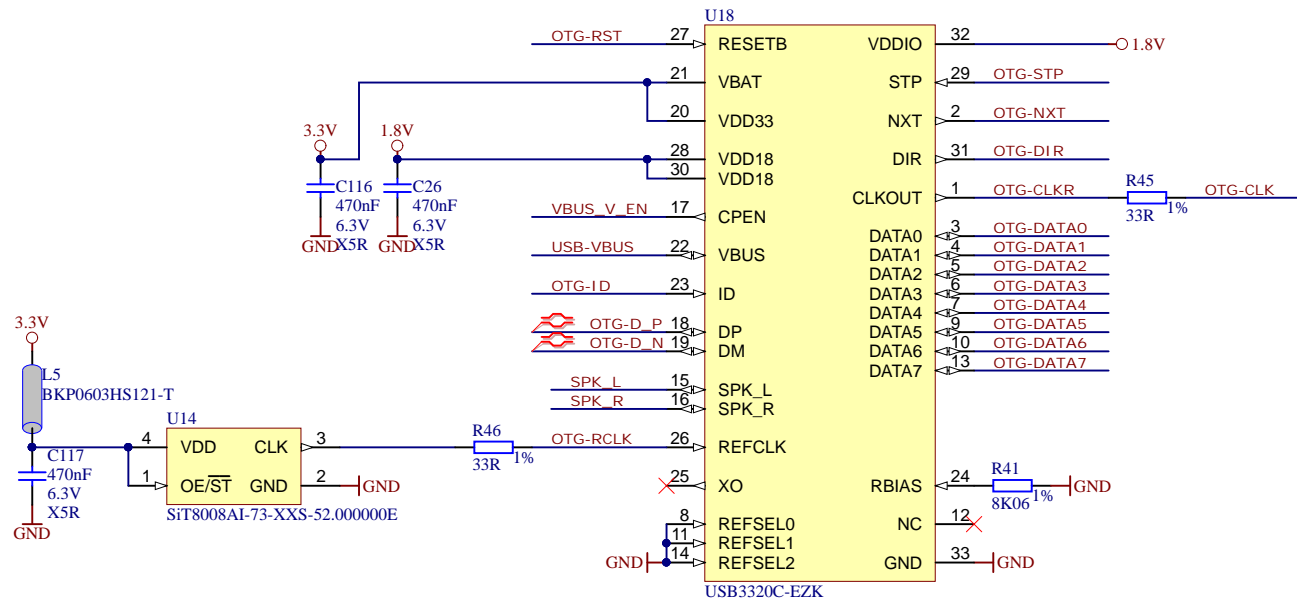




XC7Z020-2CLG484I



Title: GigaZee - B35		
A4	Number: TE0720 TE0720-2IFC8	Rev. 03
Date: 2015-10-12	Copyright: 2013 Trenz Electronic GmbH	Page9 of 15
Filename: B35.SchDoc		



	Title: <b>GigaZee - USB</b>		
	A4	Number: <b>TE0720 TE0720-2IFC8</b>	Rev. <b>03</b>
	Date: <b>2015-10-12</b>	Copyright: <b>2013 Trenz Electronic GmbH</b>	Page <b>10</b> of <b>15</b>
	Filename: <b>USB-PHY.SchDoc</b>		

A

B

C

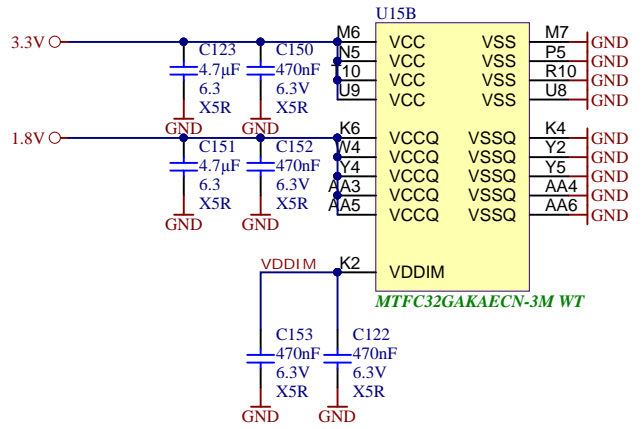
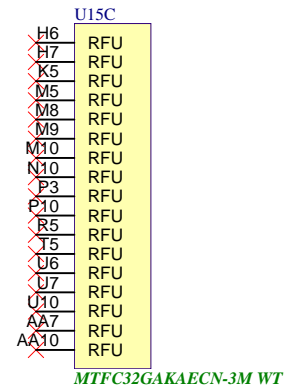
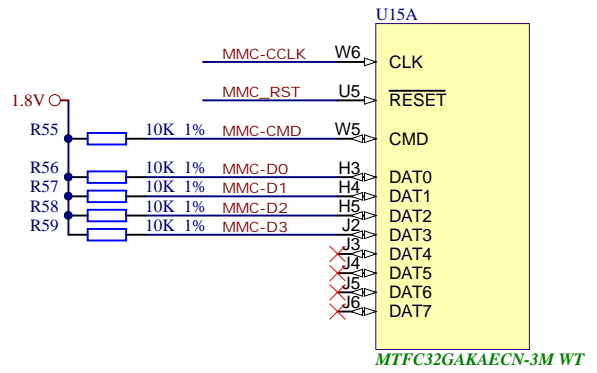
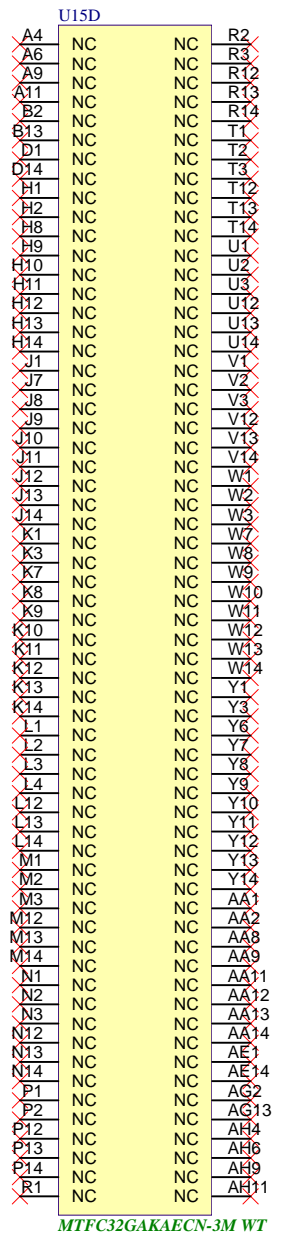
D

A

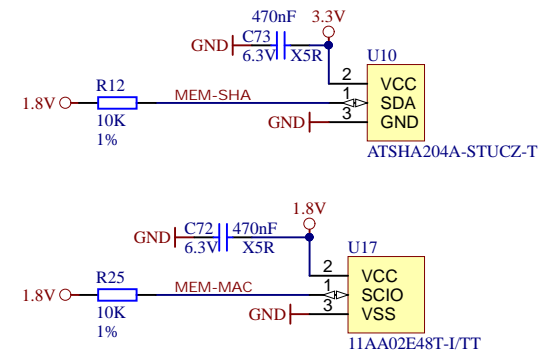
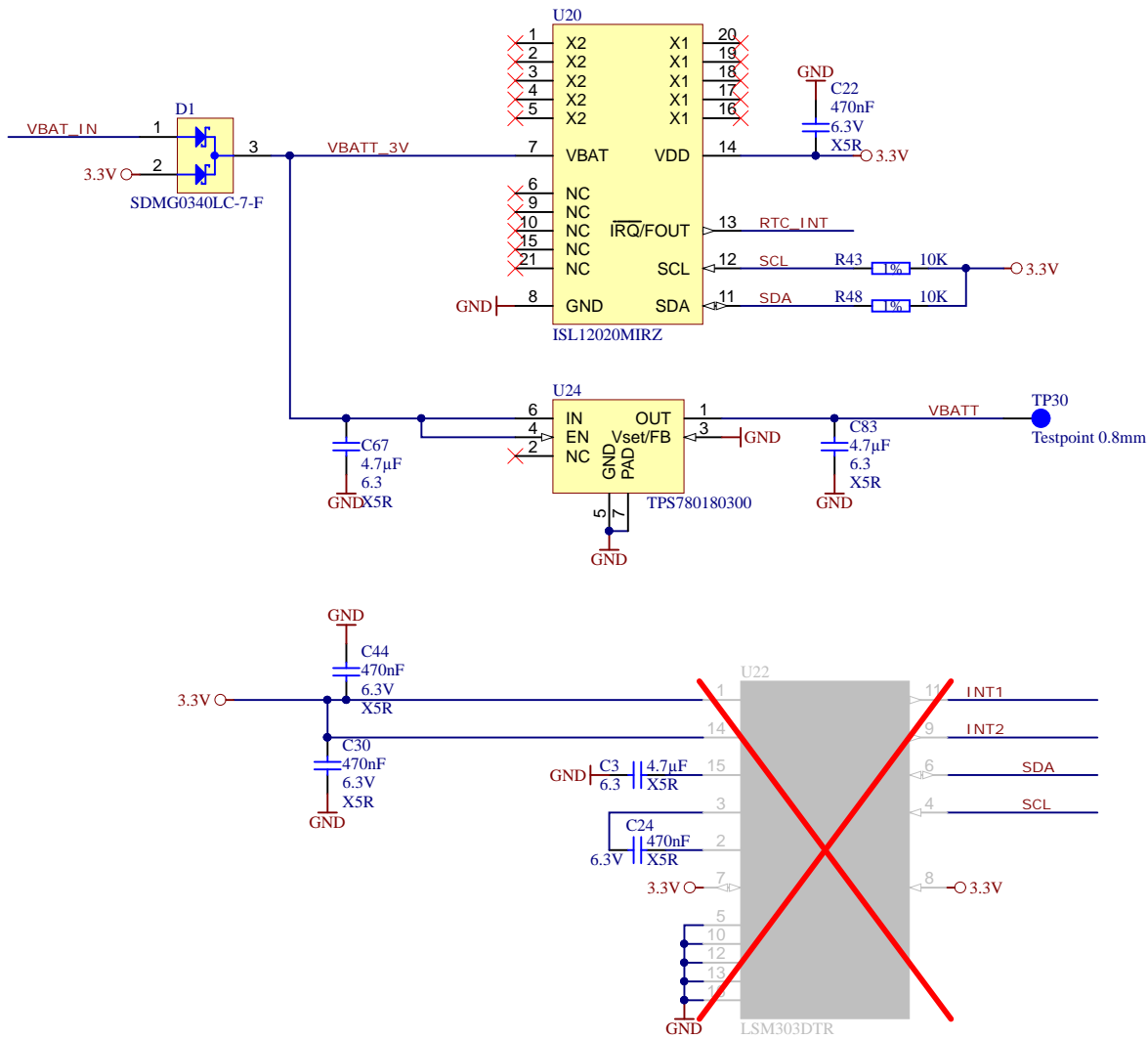
B


C

D



Title: <b>GigaZee - eNAND</b>		
A4	Number: <b>TE0720 TE0720-2IFC8</b>	Rev. <b>03</b>
Date: <b>2015-10-12</b>	Copyright: <b>2013 Trenz Electronic GmbH</b>	Page <b>11</b> of <b>15</b>
Filename: <b>eMMC.SchDoc</b>		



		Title: GigaZee - RTC, MEMS, SHA, MAC	
		A4	Number: TE0720 TE0720-2IFC8
Date: 2015-10-12	Copyright: 2013 Trenz Electronic GmbH	Page 12 of 15	
Filename: SENSOR-RTC.SchDoc			

A

A

B

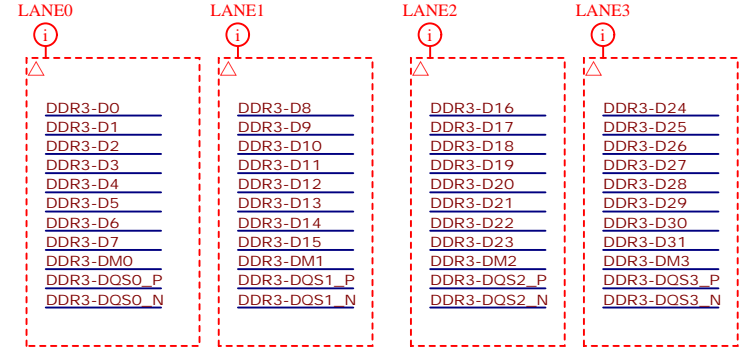
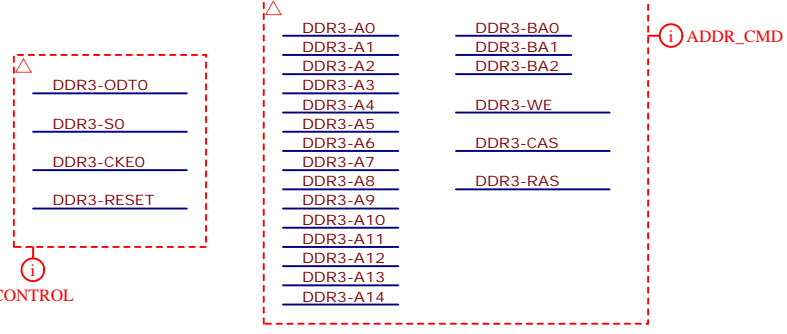
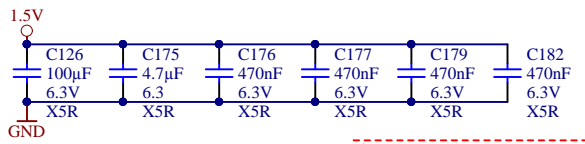
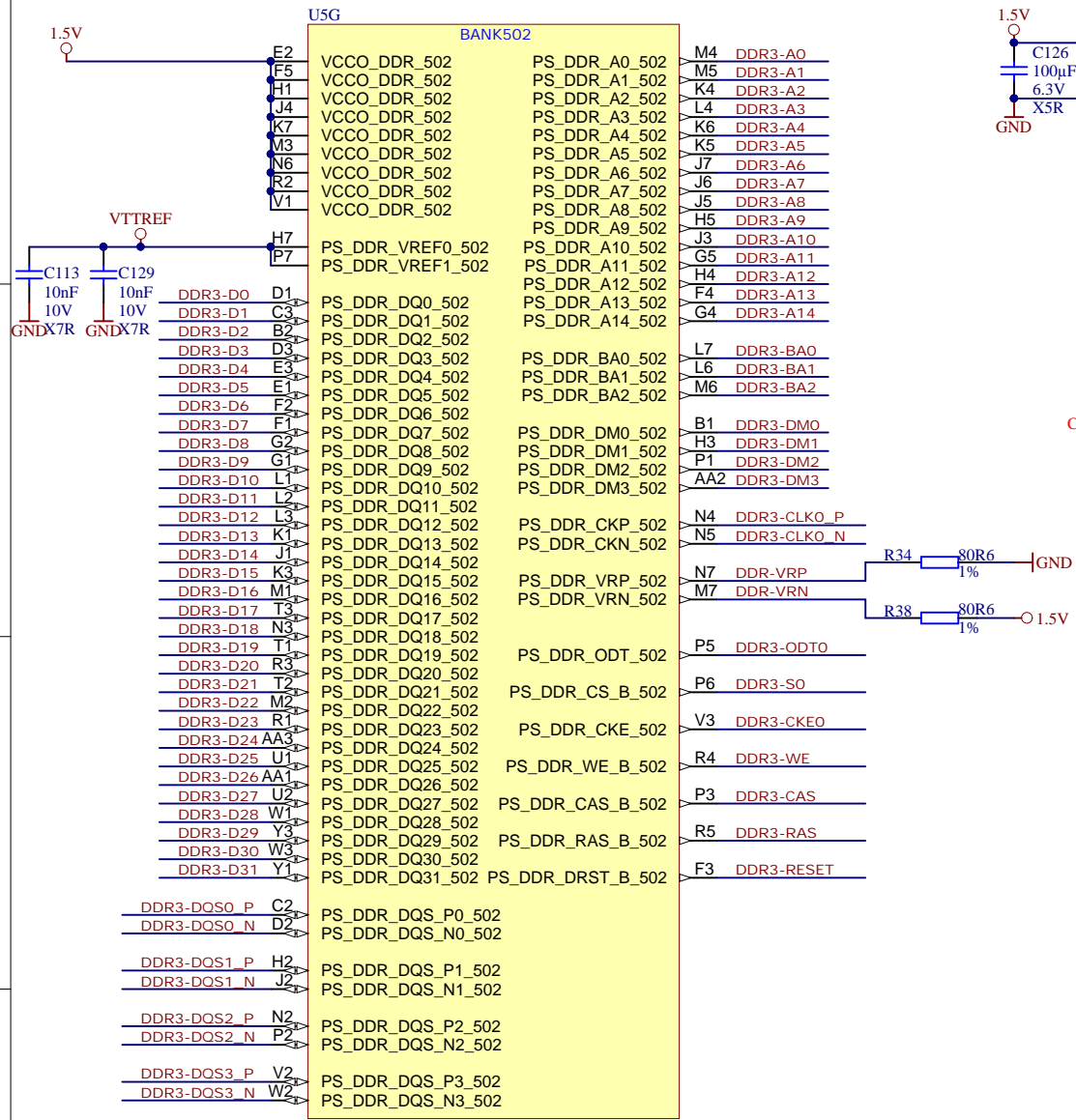
B

C


C

D

D



XC7Z020-2CLG4841



Title: GigaZee - B502		
A4	Number: TE0720 TE0720-2IFC8	Rev. 03
Date: 2015-10-12	Copyright: 2013 Trenz Electronic GmbH	Page13 of 15
Filename: PS-DDR.SchDoc		



1

2

3

4

A

B

C

D

A

B

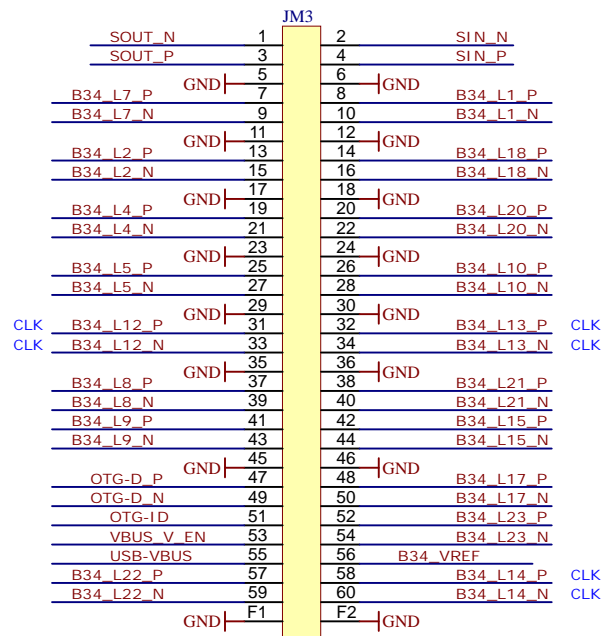
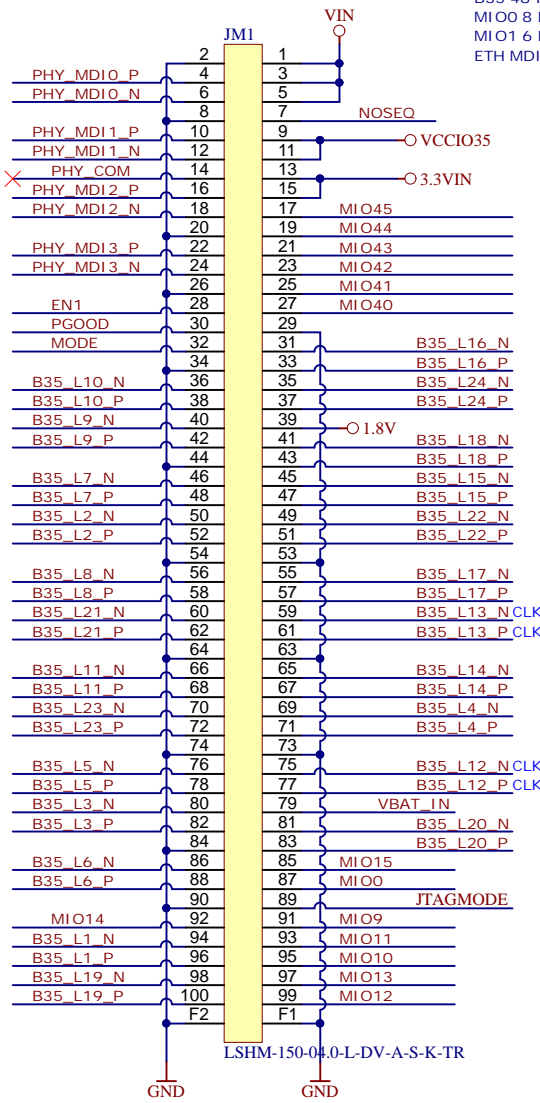
C

D

B35 48 IO, 24 LVDS Pairs  
 MIO0 8 IO, 3.3V  
 MIO1 6 IO 1.8V  
 ETH MDI Copper

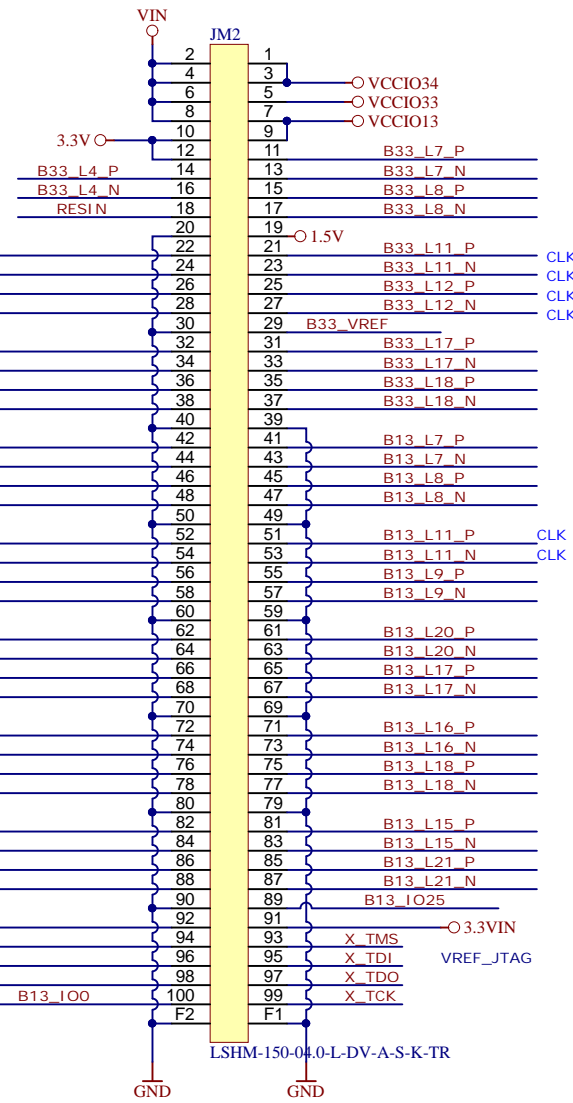
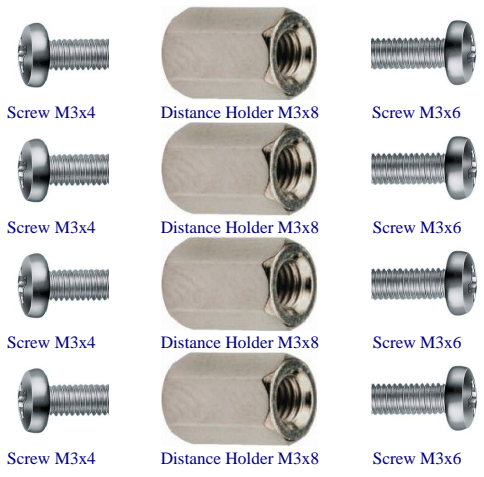
B34 36 IO, 18 LVDS Pairs  
 USB OTG  
 ETH SGMII

B33 18 IO, 9 LVDS Pairs  
 B13 48 IO, 24 LVDS Pairs  
 B13 2 IO



LSHM-130-04.0-L-DV-A-S-K-TR

Top of Board



LSHM-150-04.0-L-DV-A-S-K-TR



Title: GigaZee - B2B Connector		
A4	Number: TE0720 TE0720-2IFC8	Rev. 03
Date: 2015-10-12	Copyright: 2013 Trenz Electronic GmbH	Page 15 of 15
Filename: B2B-Connectors.SchDoc		

1

2

3

4