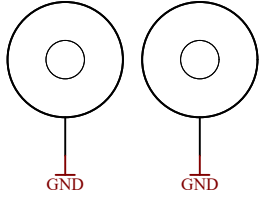
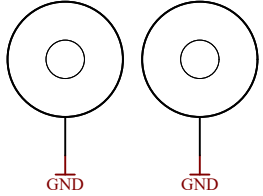


U_B2B-Connectors	U_FPGA-MISC
B2B-Connectors.SchDoc	FPGA-MISC.SchDoc
U_B13	U_FPGA-PWR
B13.SchDoc	FPGA-PWR.SchDoc
U_B33-B34	U_MIO-BANKS
B33-B34.SchDoc	MIO-BANKS.SchDoc
U_B35	U_PS-DDR
B35.SchDoc	PS-DDR.SchDoc
U_DDR3-RAM	U_SENSOR-RTC
DDR3-RAM.SchDoc	SENSOR-RTC.SchDoc
U_eMMC	U_SystemController
eMMC.SchDoc	SystemController.SchDoc
U_ETH-PHY	U_USB-PHY
ETH-PHY.SchDoc	USB-PHY.SchDoc

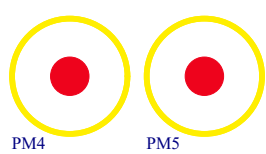
Mount.Hole 3.2mm Mount.Hole 3.2mm



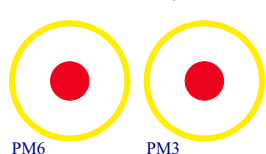
Mount.Hole 3.2mm Mount.Hole 3.2mm



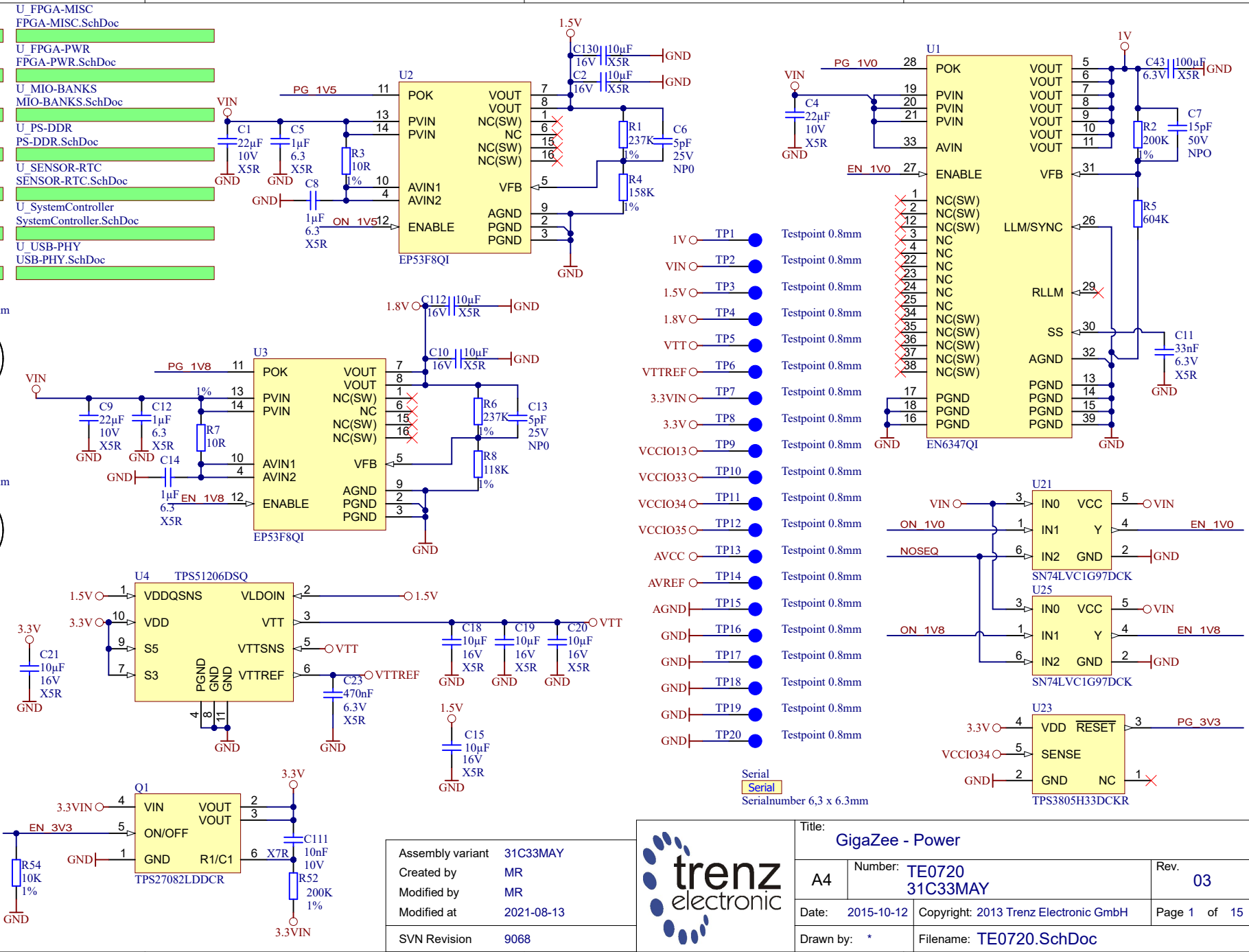
PM1 PM2



PM4 PM5



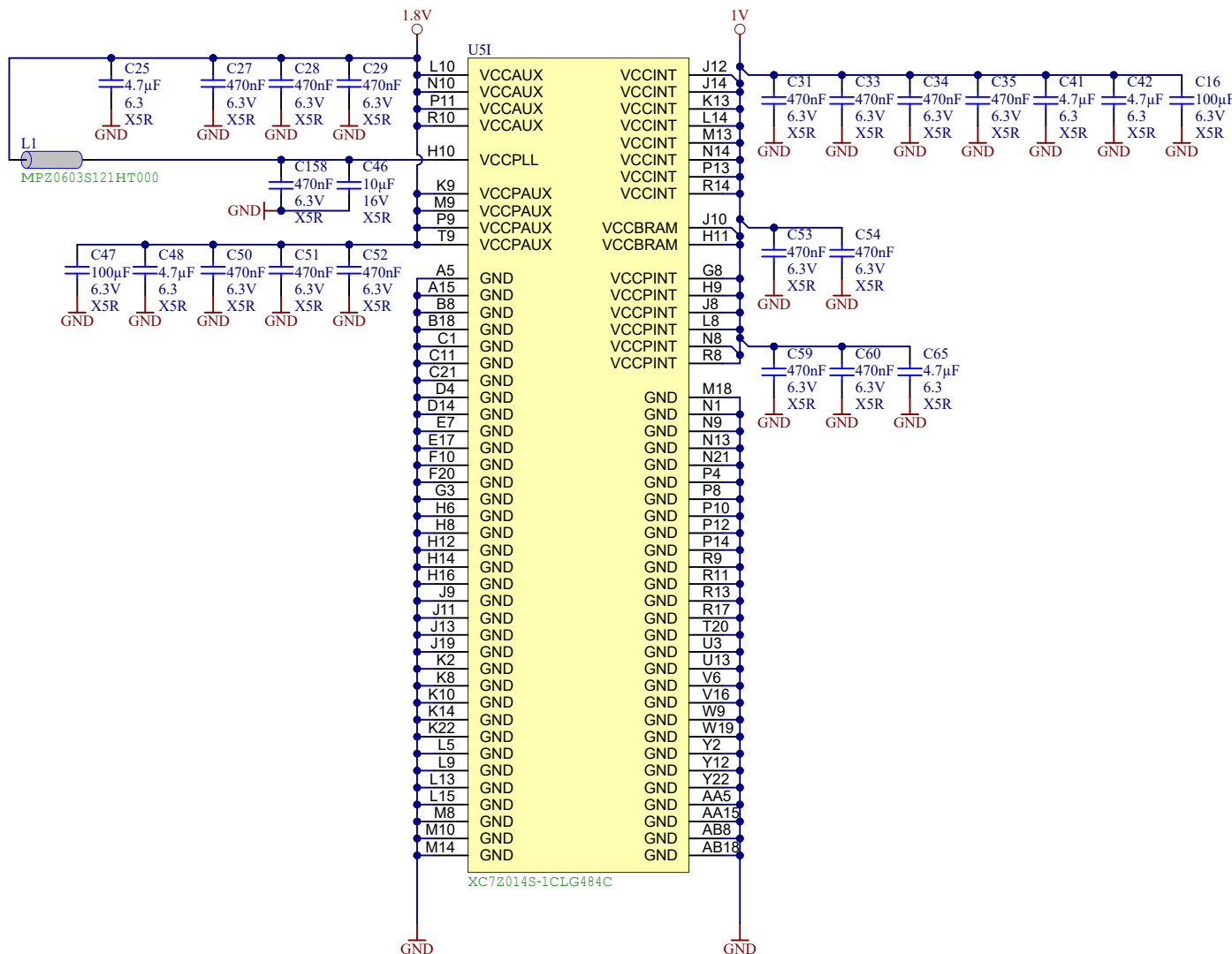
PM6 PM3



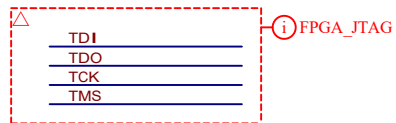
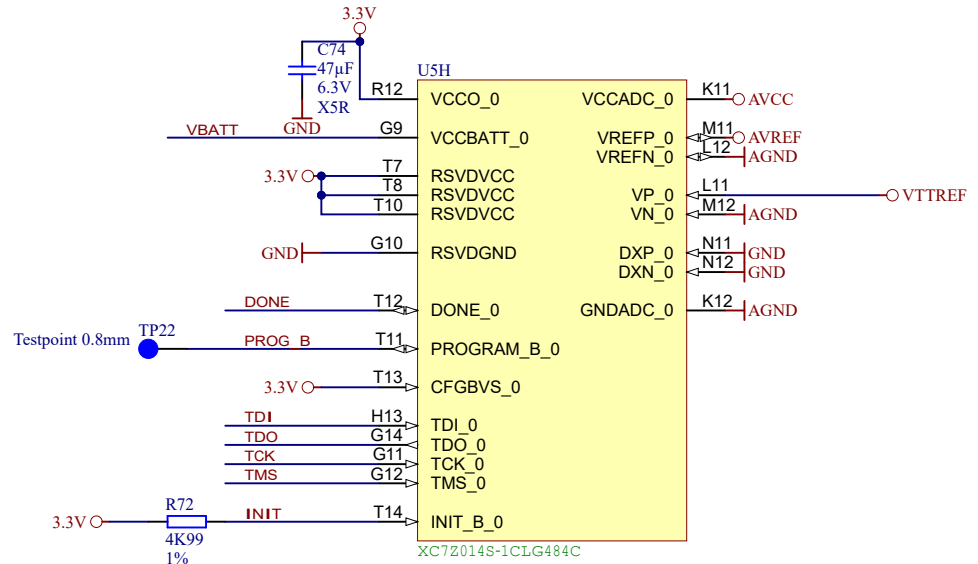
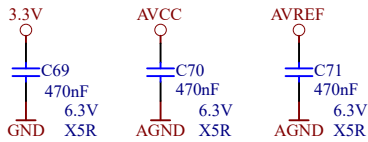
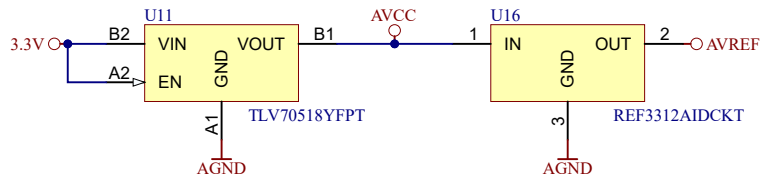
Assembly variant	31C33MAY
Created by	MR
Modified by	MR
Modified at	2021-08-13
SVN Revision	9068



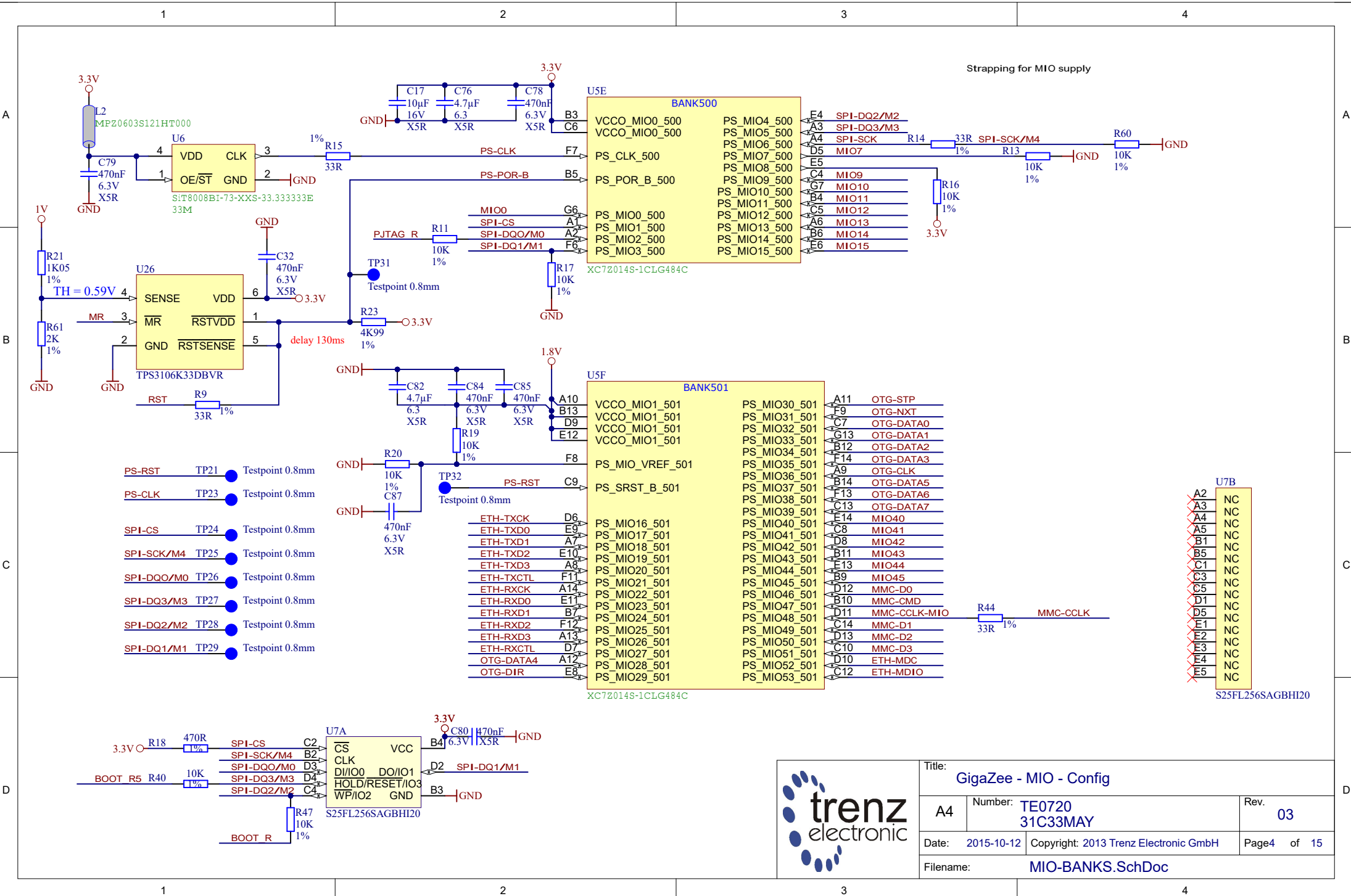
Title: GigaZee - Power		
A4	Number: TE0720 31C33MAY	Rev. 03
Date: 2015-10-12	Copyright: 2013 Trenz Electronic GmbH	Page 1 of 15
Drawn by: *	Filename: TE0720.SchDoc	



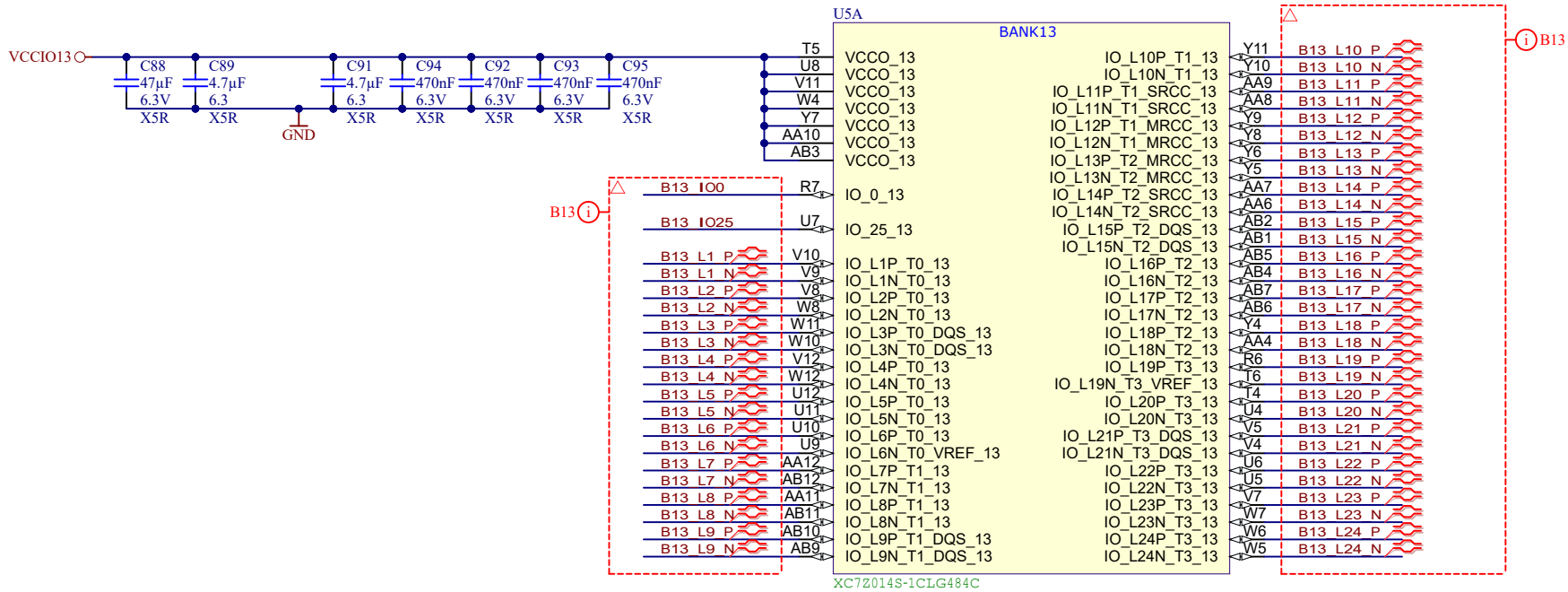

Title: GigaZee - FPGA Power		
A4	Number: TE0720 31C33MAY	Rev. 03
Date: 2015-10-12	Copyright: 2013 Trenz Electronic GmbH	Page2 of 15
Filename: FPGA-PWR.SchDoc		



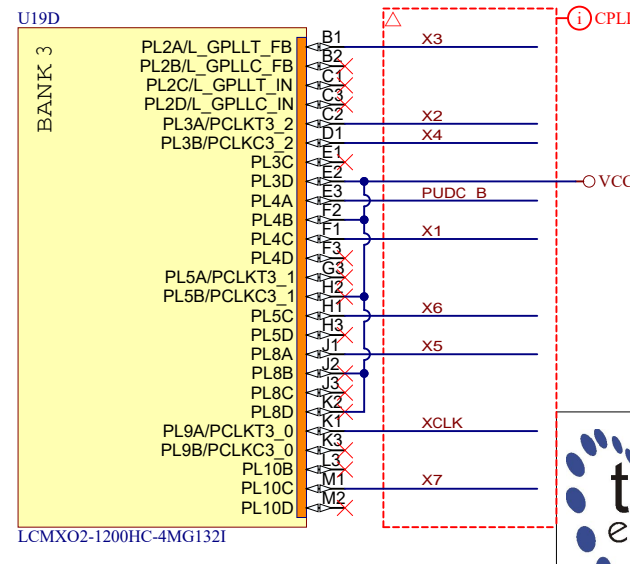
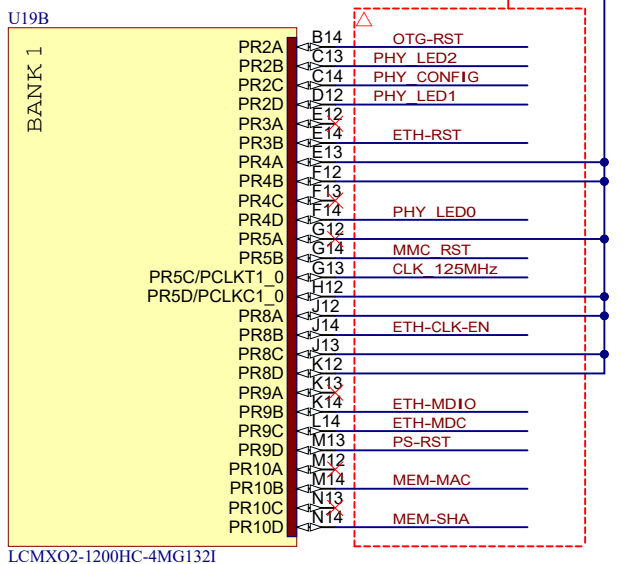
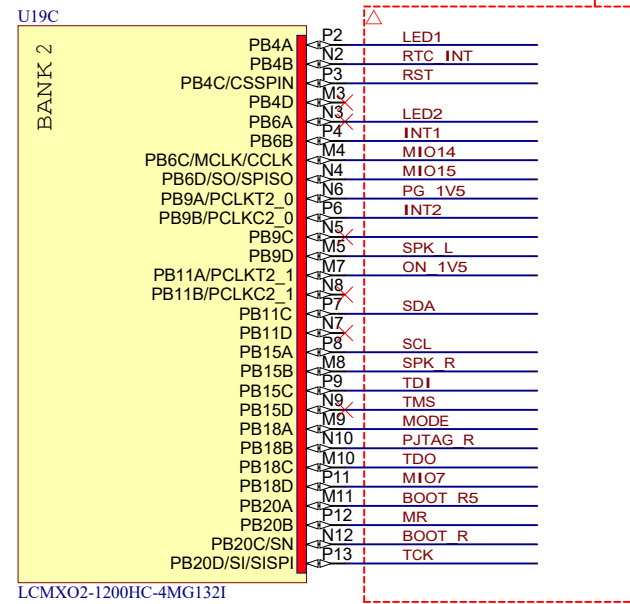
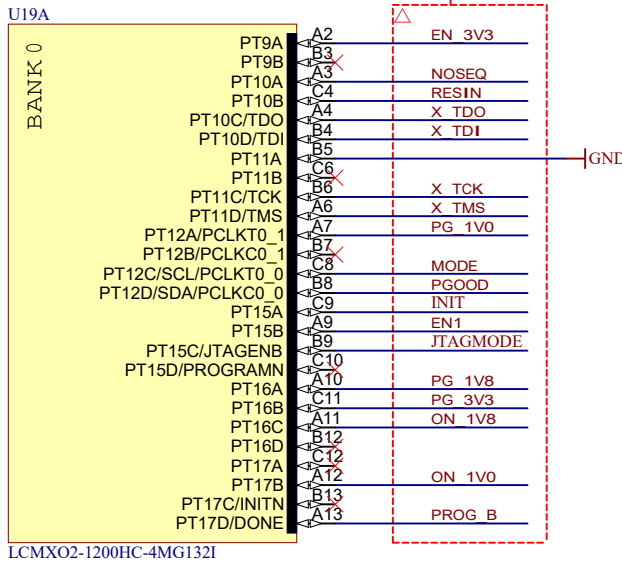
Title: GigaZee - B0		
A4	Number: TE0720 31C33MAY	Rev. 03
Date: 2015-10-12	Copyright: 2013 Trenz Electronic GmbH	Page3 of 15
Filename: FPGA-MISC.SchDoc		



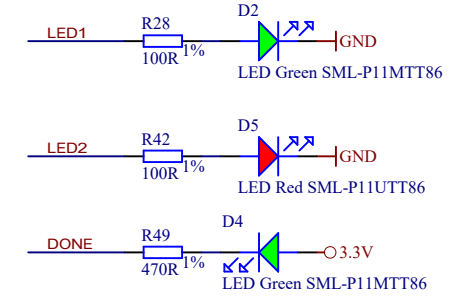
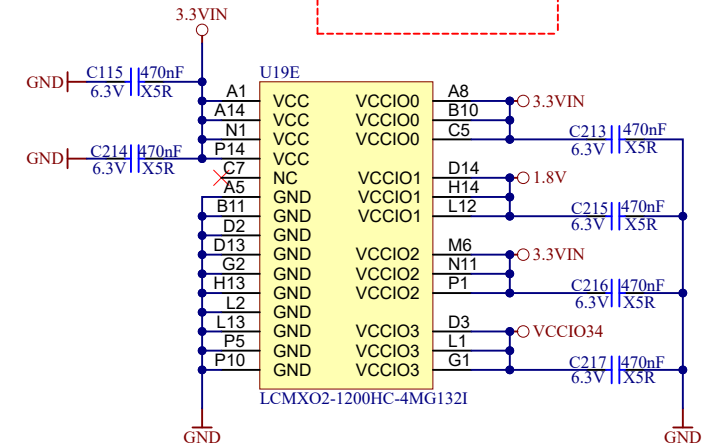
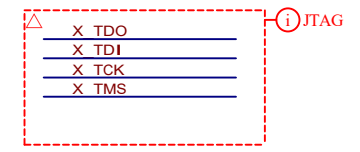
Title: GigaZee - MIO - Config		
A4	Number: TE0720 31C33MAY	Rev. 03
Date: 2015-10-12	Copyright: 2013 Trenz Electronic GmbH	Page4 of 15
Filename: MIO-BANKS.SchDoc		



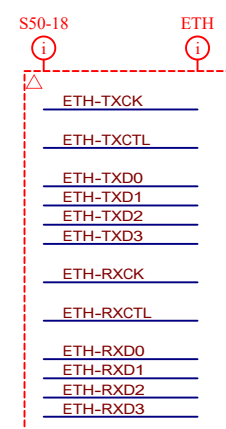
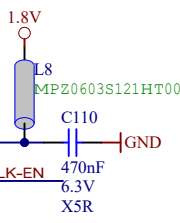
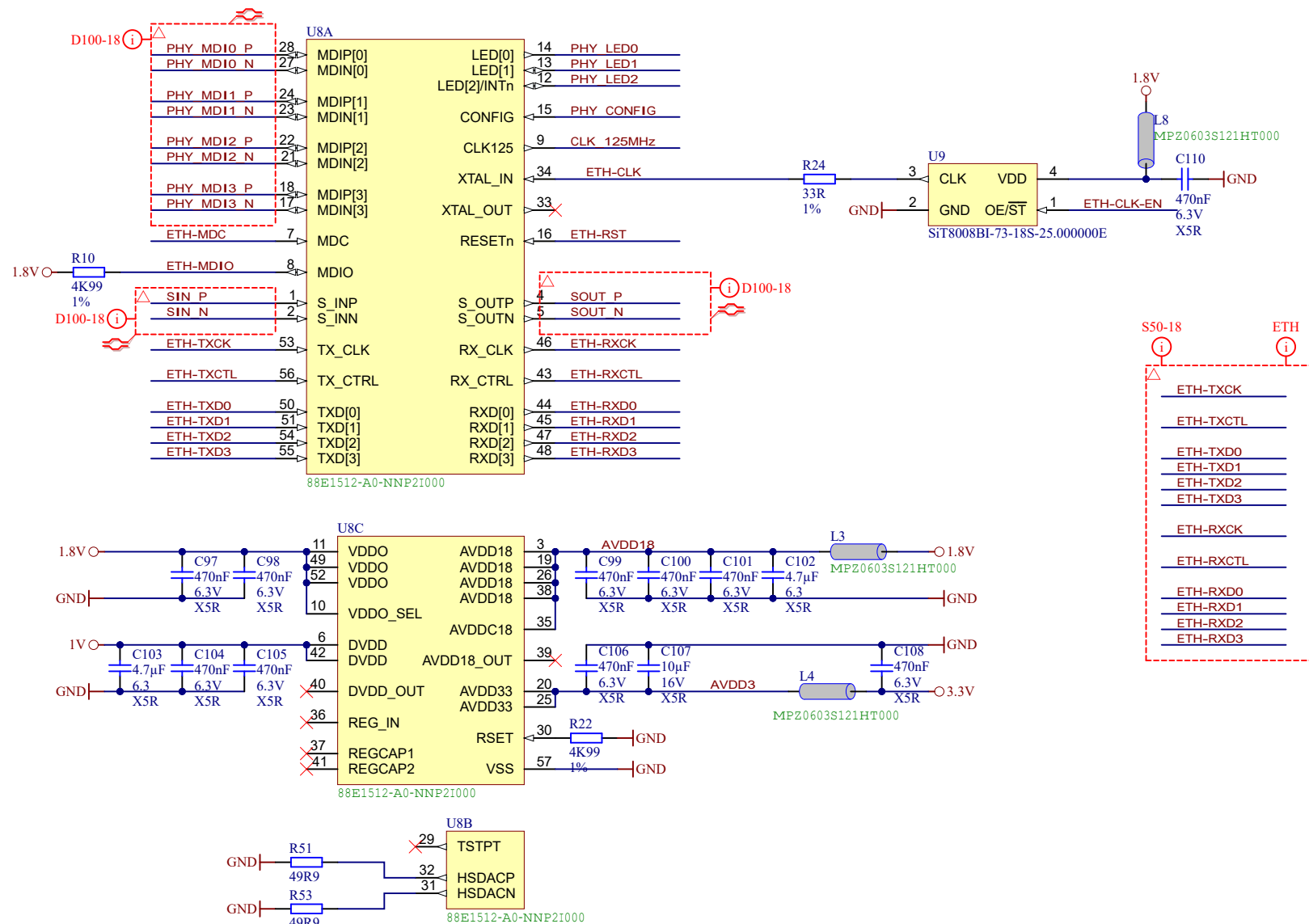
Title: GigaZee - B13		
A4	Number: TE0720 31C33MAY	Rev. 03
Date: 2015-10-12	Copyright: 2013 Trenz Electronic GmbH	Page5 of 15
Filename: B13.SchDoc		



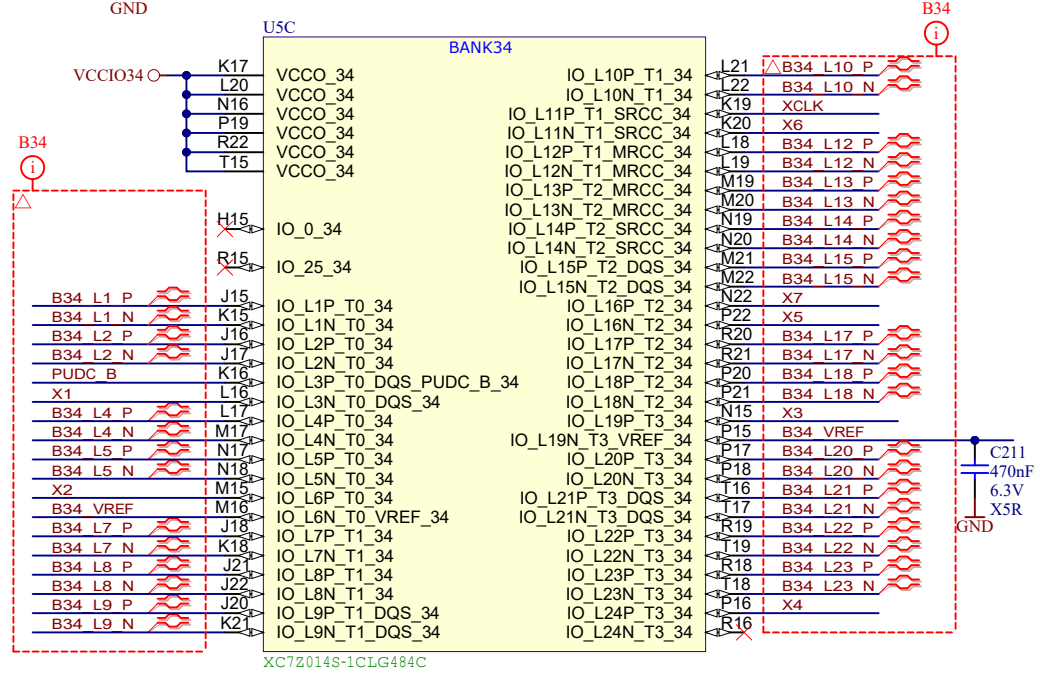
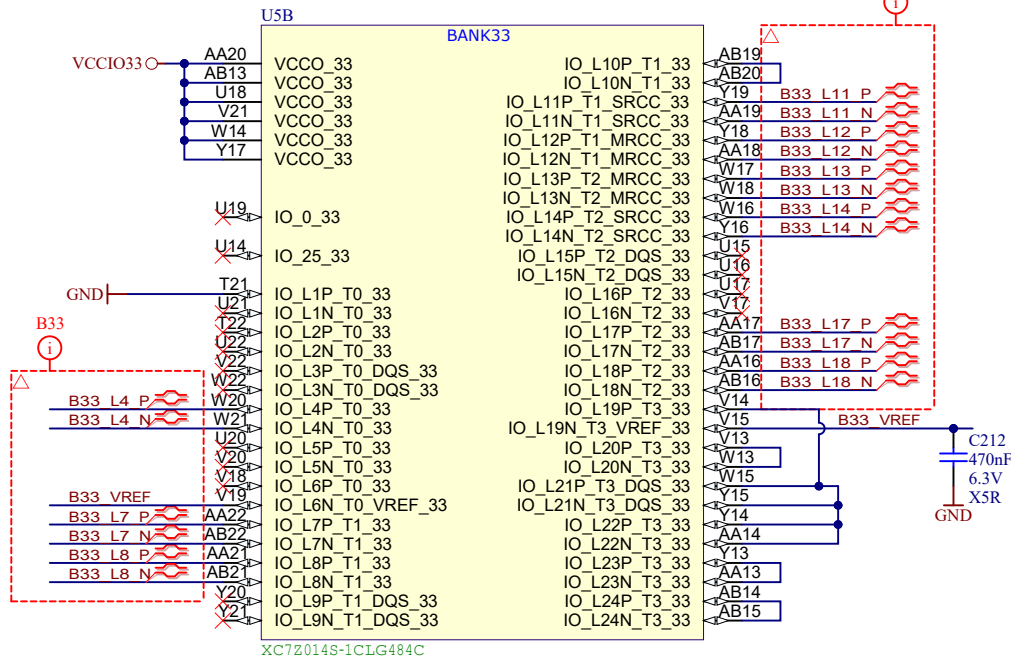
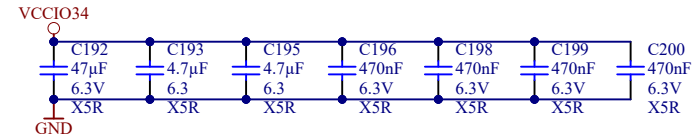
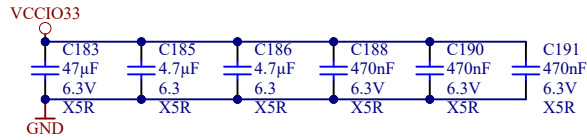
CPLD_3V3



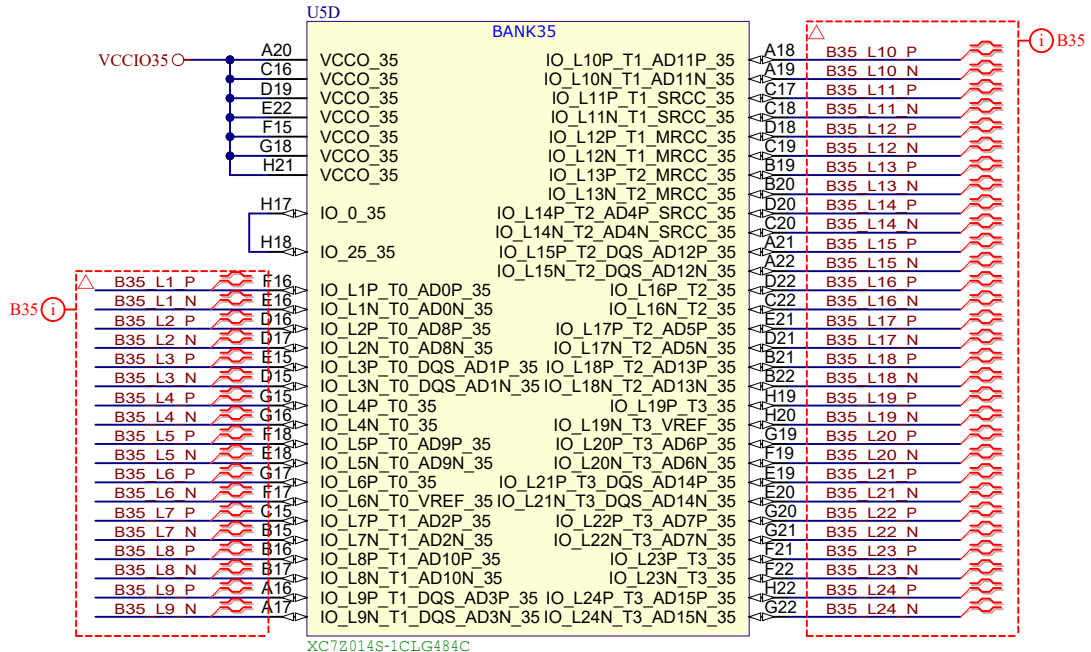
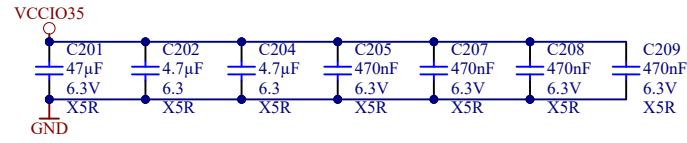
Title: GigaZee - System Controller		
A4	Number: TE0720 31C33MAY	Rev. 03
Date: 2015-10-12	Copyright: 2013 Trenz Electronic GmbH	Page6 of 15
Filename: SystemController.SchDoc		



	Title: GigaZee - Ethernet	
	A4	Number: TE0720 31C33MAY
	Date: 2015-10-12	Copyright: 2013 Trenz Electronic GmbH
	Page 7	of 15
Filename: ETH-PHY.SchDoc		Rev. 03

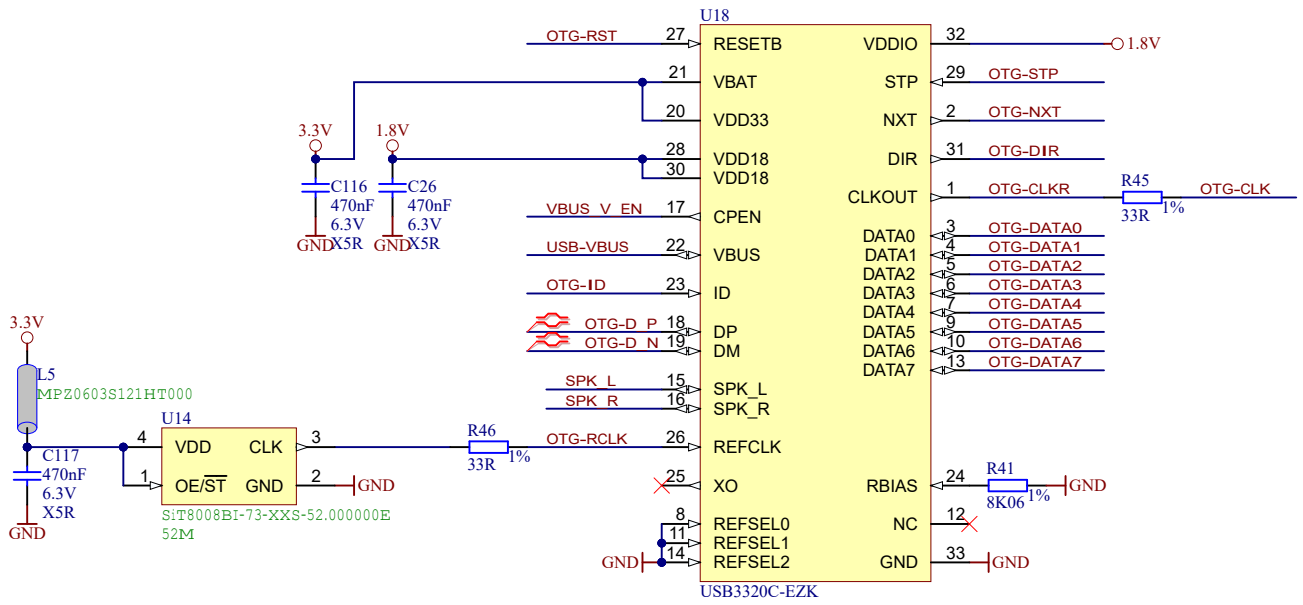


Title: GigaZee - B33 - B34		
A4	Number: TE0720 31C33MAY	Rev. 03
Date: 2015-10-12	Copyright: 2013 Trenz Electronic GmbH	Page8 of 15
Filename: B33-B34.SchDoc		

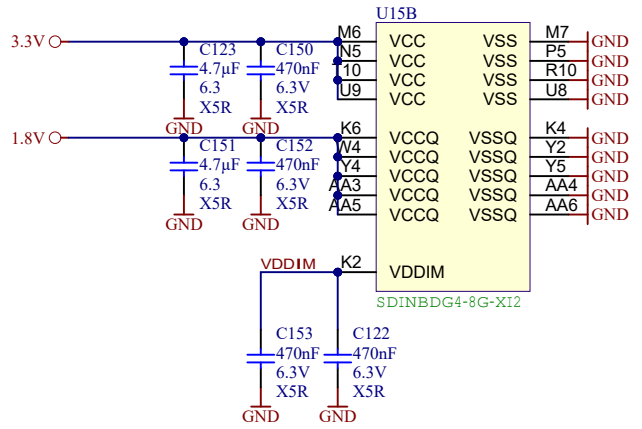
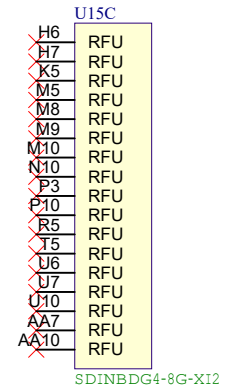
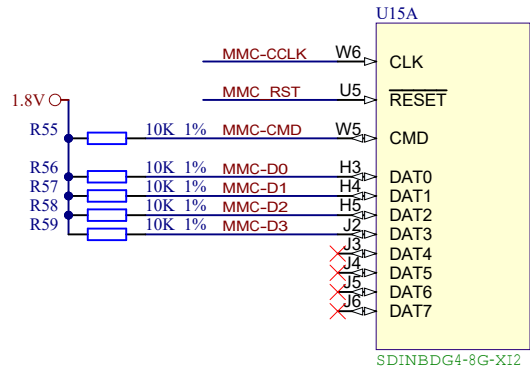
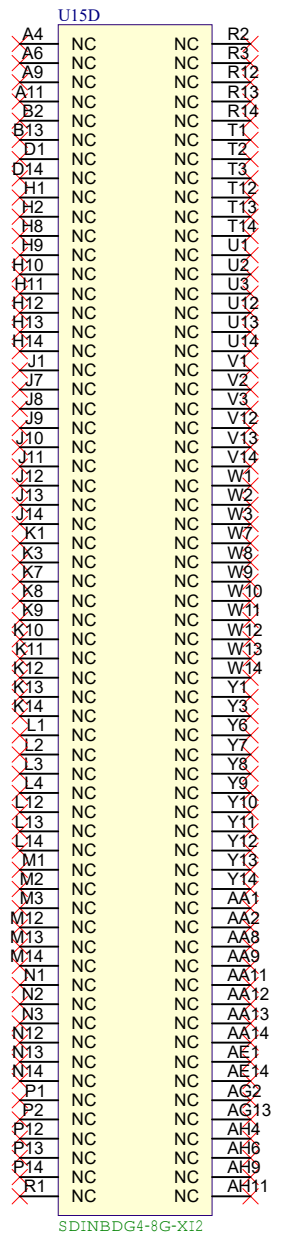


XC7Z014S-1CLG484C

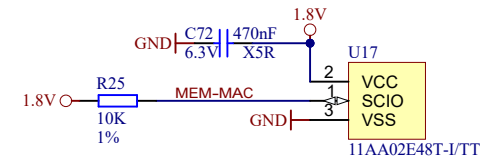
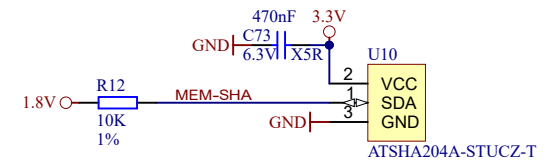
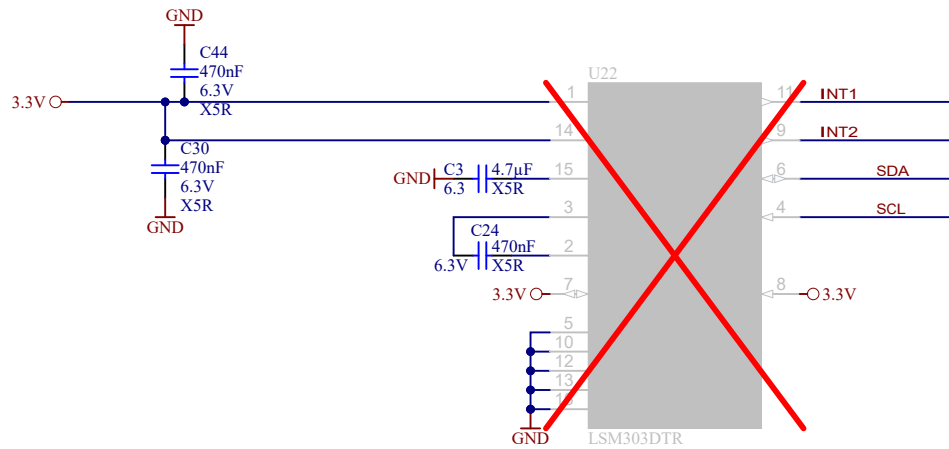
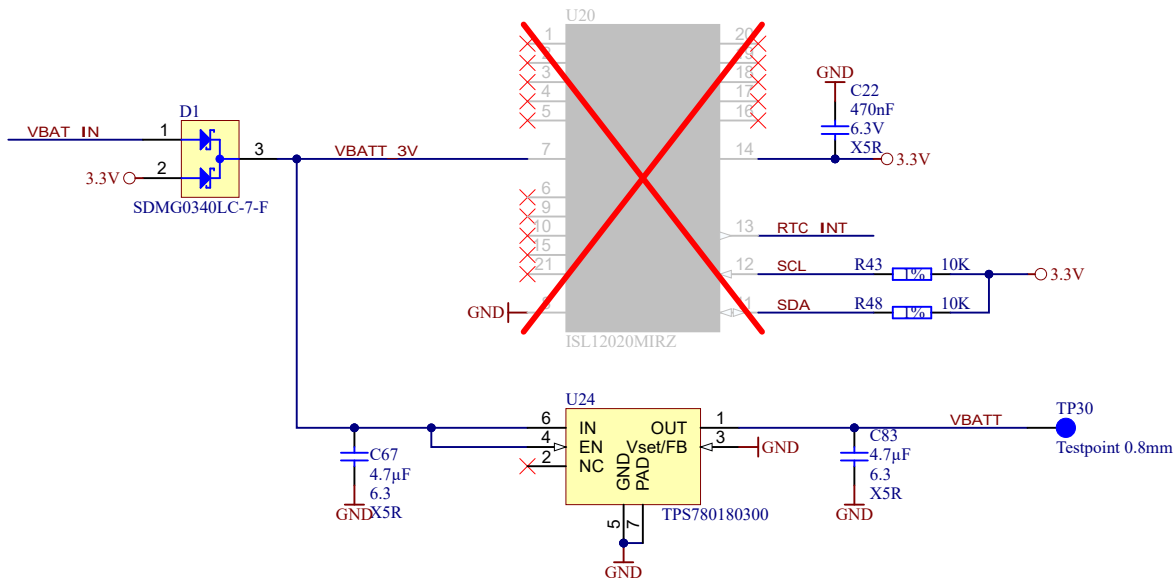
	Title: GigaZee - B35	
	A4	Number: TE0720 31C33MAY
	Date: 2015-10-12	Copyright: 2013 Trenz Electronic GmbH
	Rev. 03	Page9 of 15
Filename: B35.SchDoc		




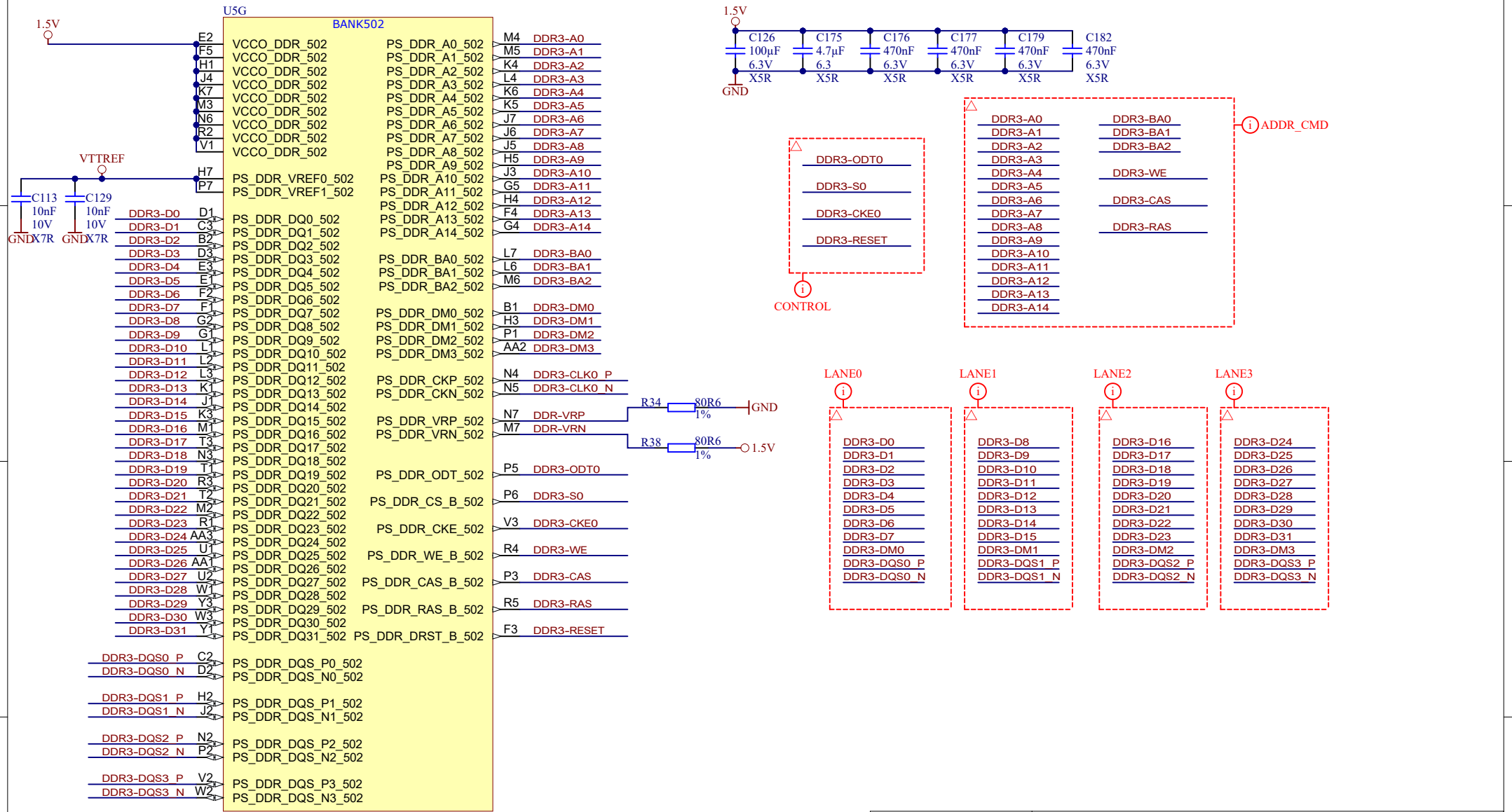
	Title: GigaZee - USB		
	A4	Number: TE0720 31C33MAY	Rev. 03
	Date: 2015-10-12	Copyright: 2013 Trenz Electronic GmbH	
	Page 10 of 15		
Filename: USB-PHY.SchDoc			



Title: GigaZee - eNAND		
A4	Number: TE0720 31C33MAY	Rev. 03
Date: 2015-10-12	Copyright: 2013 Trenz Electronic GmbH	Page 11 of 15
Filename: eMMC.SchDoc		

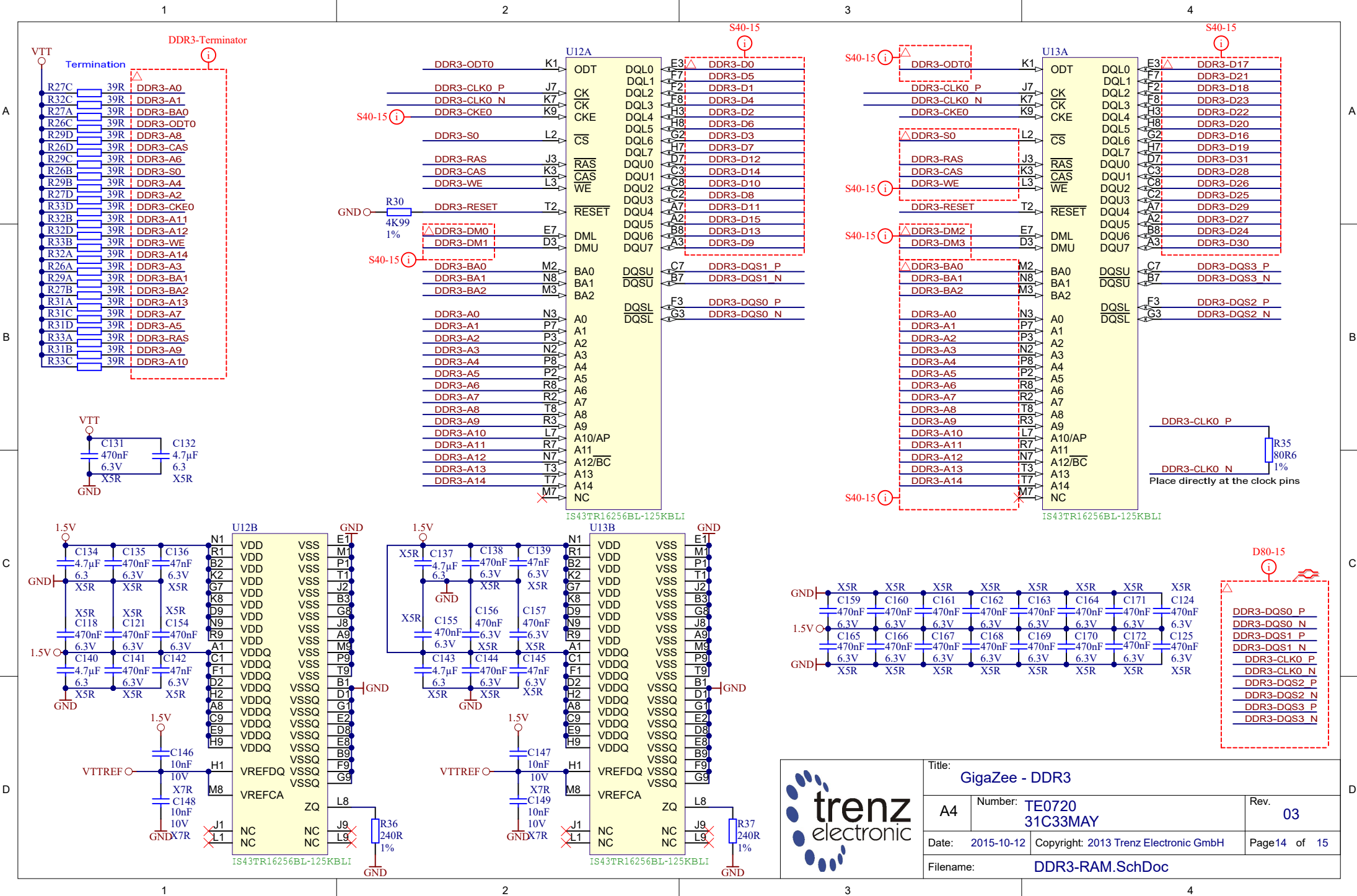


		Title: GigaZee - RTC, MEMS, SHA, MAC	
		A4	Number: TE0720 31C33MAY
Date: 2015-10-12		Copyright: 2013 Trenz Electronic GmbH	
Page 12 of 15		Page 12 of 15	
Filename: SENSOR-RTC.SchDoc		Filename: SENSOR-RTC.SchDoc	



XC7Z014S-1C1G484C

Title: GigaZee - B502		
A4	Number: TE0720 31C33MAY	Rev. 03
Date: 2015-10-12	Copyright: 2013 Trenz Electronic GmbH	Page13 of 15
Filename: PS-DDR.SchDoc		

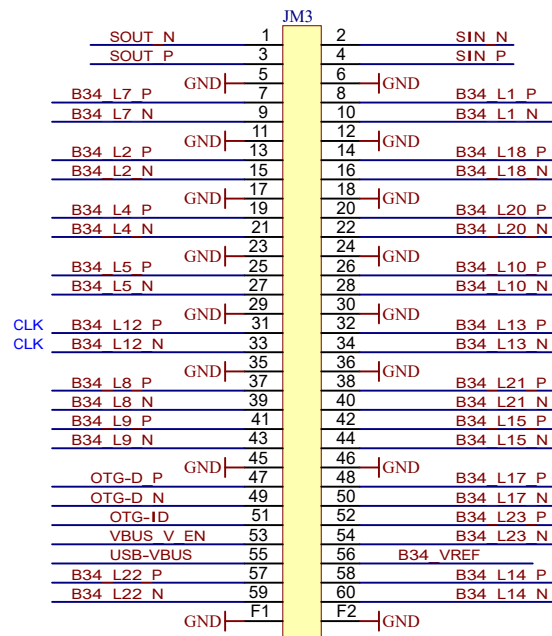
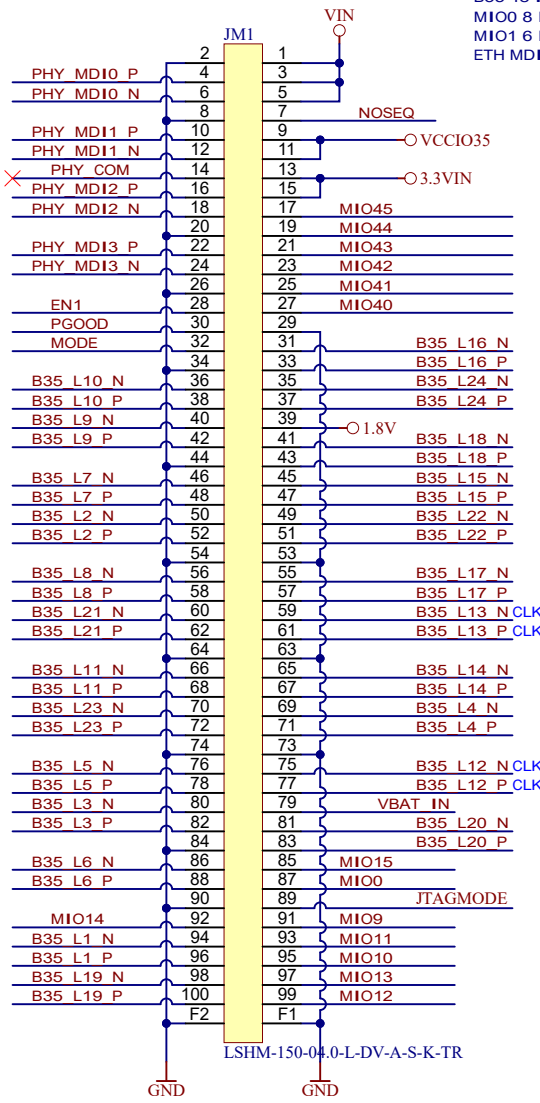


Title: GigaZee - DDR3		
A4	Number: TE0720 31C33MAY	Rev. 03
Date: 2015-10-12	Copyright: 2013 Trenz Electronic GmbH	Page 14 of 15
Filename: DDR3-RAM.SchDoc		

B35 48 IO, 24 LVDS Pairs
 MIO0 8 IO, 3.3V
 MIO1 6 IO 1.8V
 ETH MDI Copper

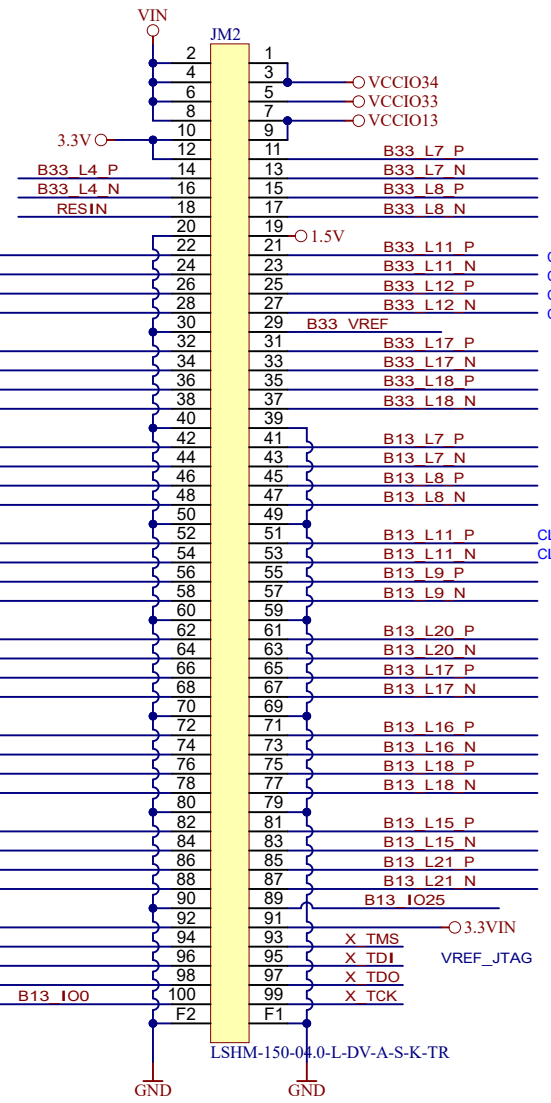
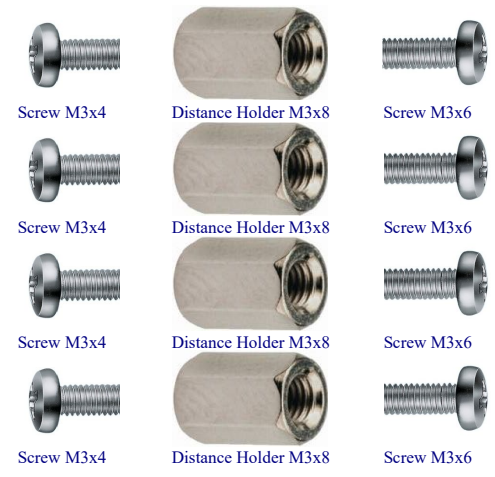
B34 36 IO, 18 LVDS Pairs
 USB OTG
 ETH SGMII

B33 18 IO, 9 LVDS Pairs
 B13 48 IO, 24 LVDS Pairs
 B13 2 IO



LSHM-130-04.0-L-DV-A-S-K-TR

Top of Board



LSHM-150-04.0-L-DV-A-S-K-TR



Title: GigaZee - B2B Connector		
A4	Number: TE0720 31C33MAY	Rev. 03
Date: 2015-10-12	Copyright: 2013 Trenz Electronic GmbH	Page 15 of 15
Filename: B2B-Connectors.SchDoc		