

U_B2B-Connectors
B2B-Connectors.SchDoc
U_B13
B13.SchDoc
U_B33-B34
B33-B34.SchDoc
U_B35
B35.SchDoc
U_DDR3-RAM
DDR3-RAM.SchDoc
U_eMMC
eMMC.SchDoc
U_ETH-PHY
ETH-PHY.SchDoc
U_FPGA-MISC
FPGA-MISC.SchDoc
U_FPGA-PWR
FPGA-PWR.SchDoc
U_MIO-BANKS
MIO-BANKS.SchDoc
U_PS-DDR
PS-DDR.SchDoc
U_SENSOR-RTC
SENSOR-RTC.SchDoc
U_SystemController
SystemController.SchDoc
U_USB-PHY
USB-PHY.SchDoc

U_B2B-Connectors
B2B-Connectors.SchDoc
U_B13
B13.SchDoc
U_B33-B34
B33-B34.SchDoc
U_B35
B35.SchDoc
U_DDR3-RAM
DDR3-RAM.SchDoc
U_eMMC
eMMC.SchDoc
U_ETH-PHY
ETH-PHY.SchDoc
U_FPGA-MISC
FPGA-MISC.SchDoc
U_FPGA-PWR
FPGA-PWR.SchDoc
U_MIO-BANKS
MIO-BANKS.SchDoc
U_PS-DDR
PS-DDR.SchDoc
U_SENSOR-RTC
SENSOR-RTC.SchDoc
U_SystemController
SystemController.SchDoc
U_USB-PHY
USB-PHY.SchDoc

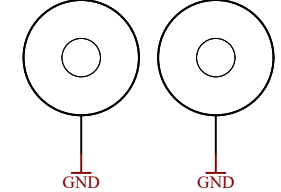
A

B

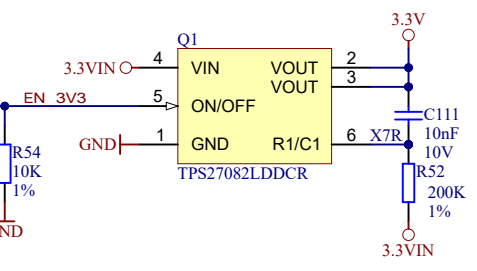
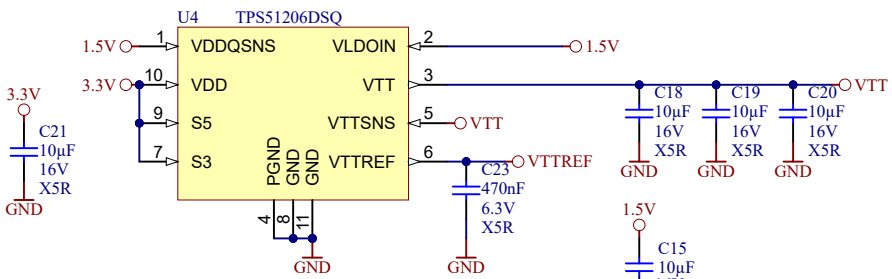
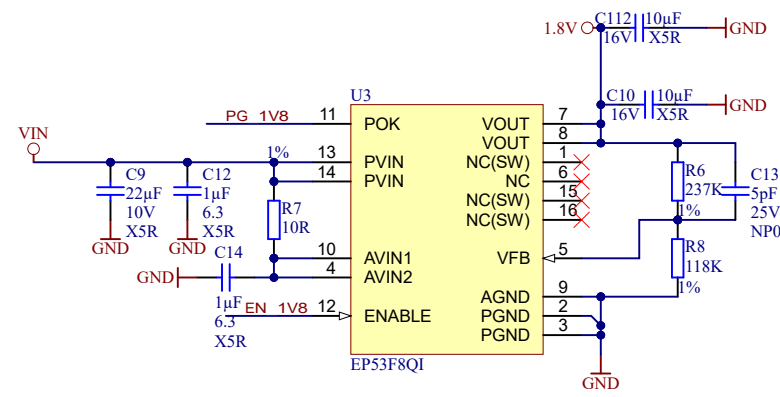
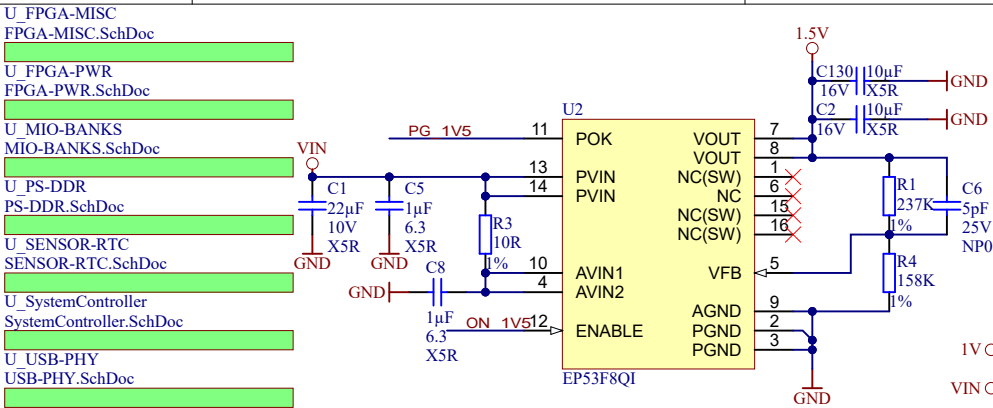
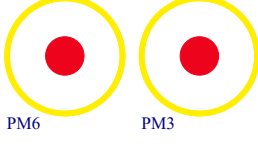
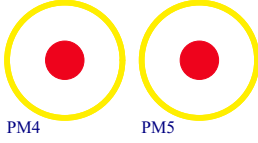
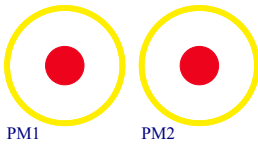
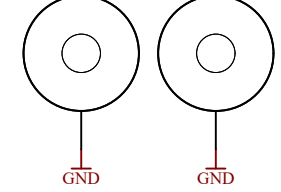
C

D

Mount.Hole 3.2mm Mount.Hole 3.2mm



Mount.Hole 3.2mm Mount.Hole 3.2mm



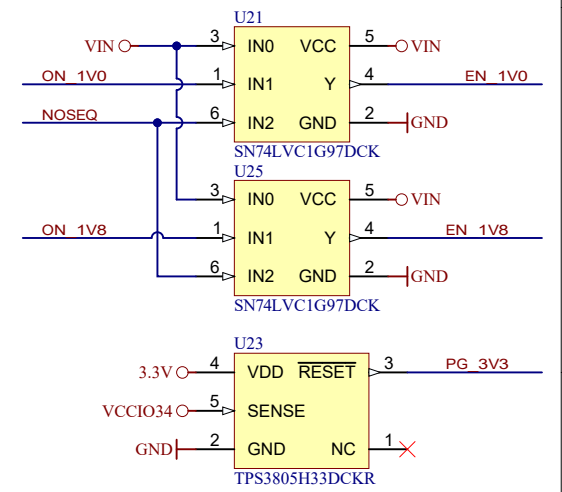
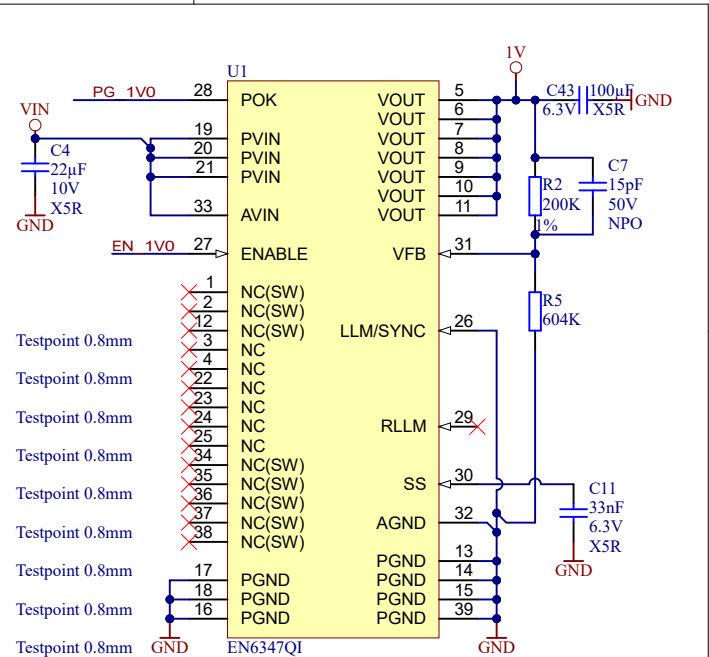
Assembly variant	61Q42GAY
Created by	MR
Modified by	MR
Modified at	2021-08-13
SVN Revision	9068



3

- 1V TP1 Testpoint 0.8mm
- VIN TP2 Testpoint 0.8mm
- 1.5V TP3 Testpoint 0.8mm
- 1.8V TP4 Testpoint 0.8mm
- VTT TP5 Testpoint 0.8mm
- VTTREF TP6 Testpoint 0.8mm
- 3.3VIN TP7 Testpoint 0.8mm
- VCCIO13 TP9 Testpoint 0.8mm
- VCCIO33 TP10 Testpoint 0.8mm
- VCCIO34 TP11 Testpoint 0.8mm
- VCCIO35 TP12 Testpoint 0.8mm
- AVCC TP13 Testpoint 0.8mm
- AVREF TP14 Testpoint 0.8mm
- AGND TP15 Testpoint 0.8mm
- GND TP16 Testpoint 0.8mm
- GND TP17 Testpoint 0.8mm
- GND TP18 Testpoint 0.8mm
- GND TP19 Testpoint 0.8mm
- GND TP20 Testpoint 0.8mm

Serial
Serial Number 6,3 x 6.3mm



Title: GigaZee - Power			
A4	Number: TE0720 61Q42GAY	Rev. 03	
Date: 2015-10-12	Copyright: 2013 Trenz Electronic GmbH	Page 1 of 15	
Drawn by: *	Filename: TE0720.SchDoc		

3

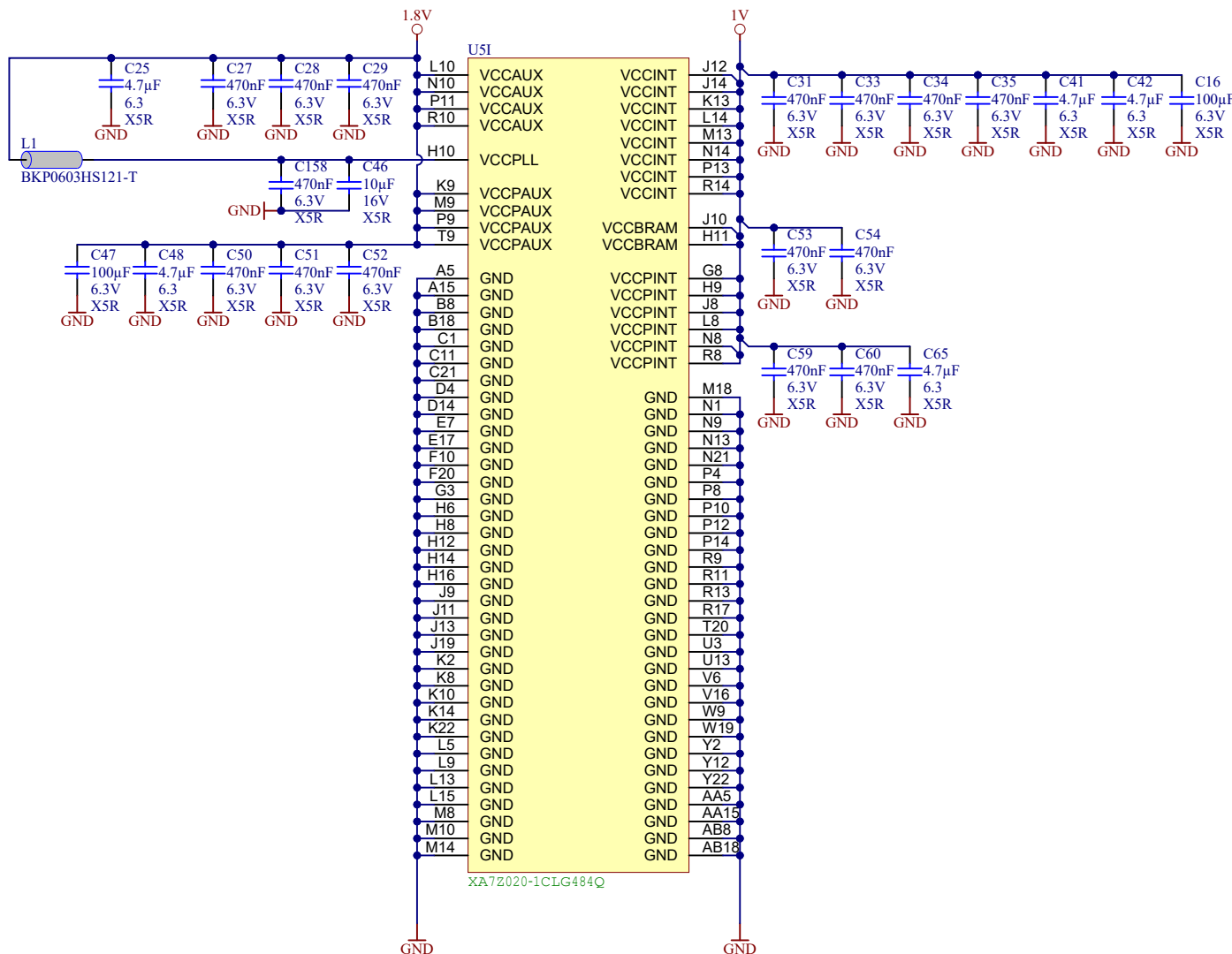
4

A

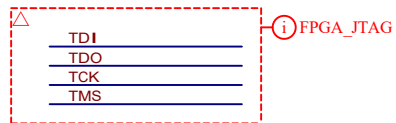
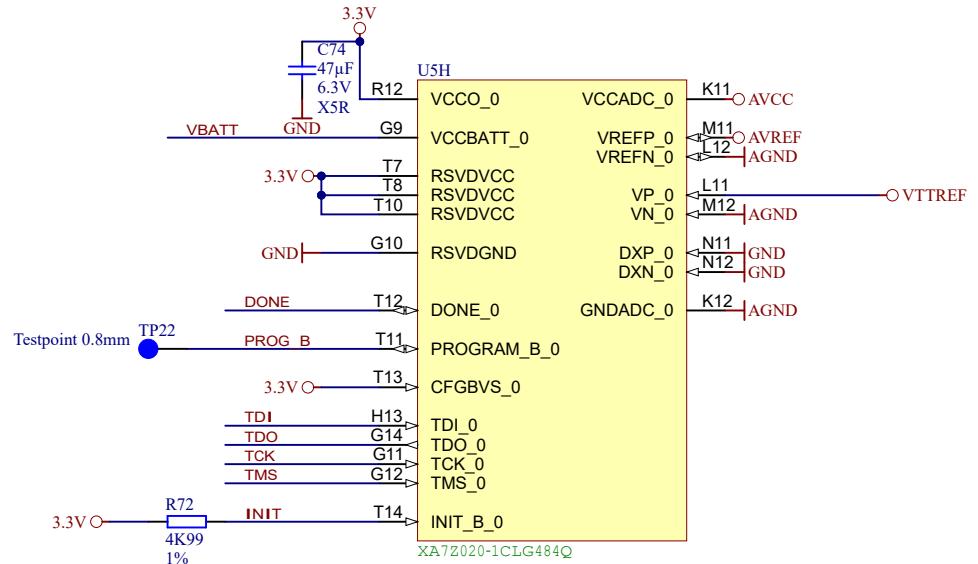
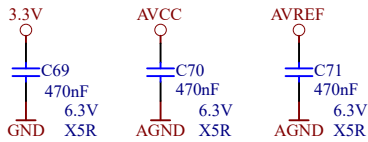
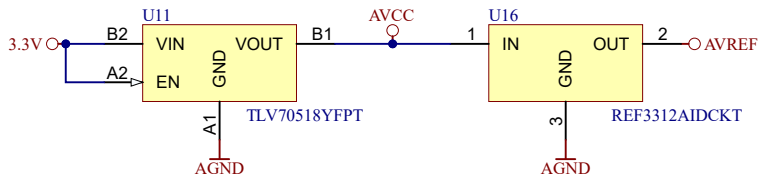
B

C

D



	Title: GigaZee - FPGA Power		
	A4	Number: TE0720 61Q42GAY	Rev. 03
	Date: 2015-10-12	Copyright: 2013 Trenz Electronic GmbH	Page2 of 15
	Filename: FPGA-PWR.SchDoc		



	Title: GigaZee - B0		
	A4	Number: TE0720 61Q42GAY	Rev. 03
	Date: 2015-10-12	Copyright: 2013 Trenz Electronic GmbH	Page3 of 15
	Filename: FPGA-MISC.SchDoc		

A

B

C

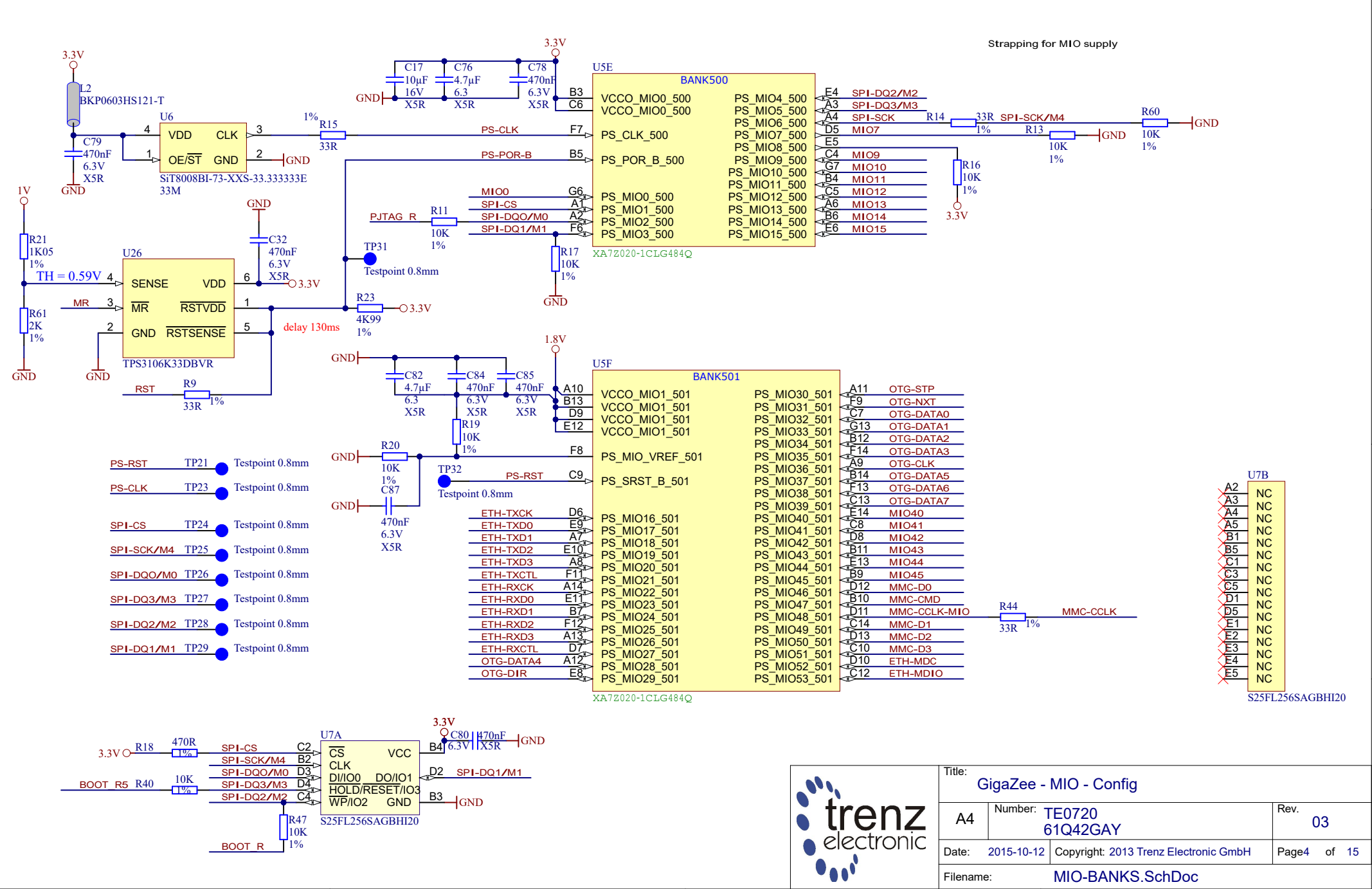
D

A

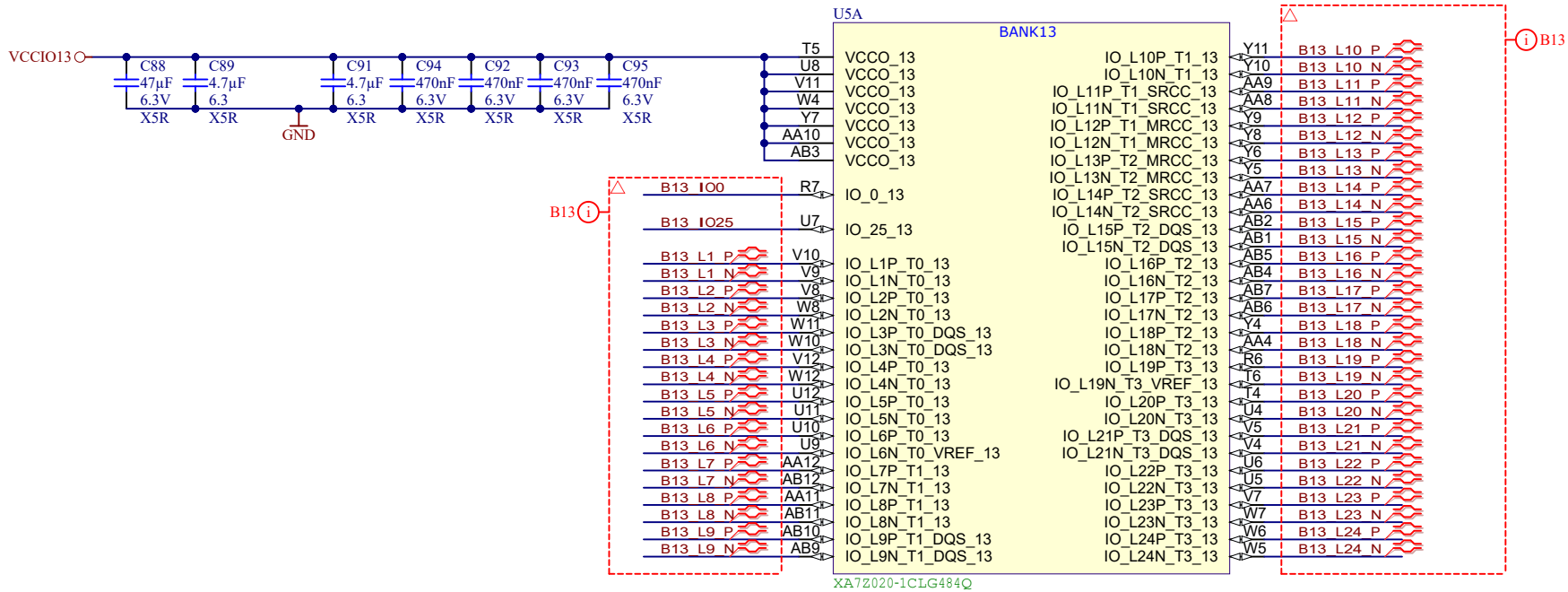
B

C

D



Title: GigaZee - MIO - Config		
A4	Number: TE0720 61Q42GAY	Rev. 03
Date: 2015-10-12	Copyright: 2013 Trenz Electronic GmbH	Page4 of 15
Filename: MIO-BANKS.SchDoc		



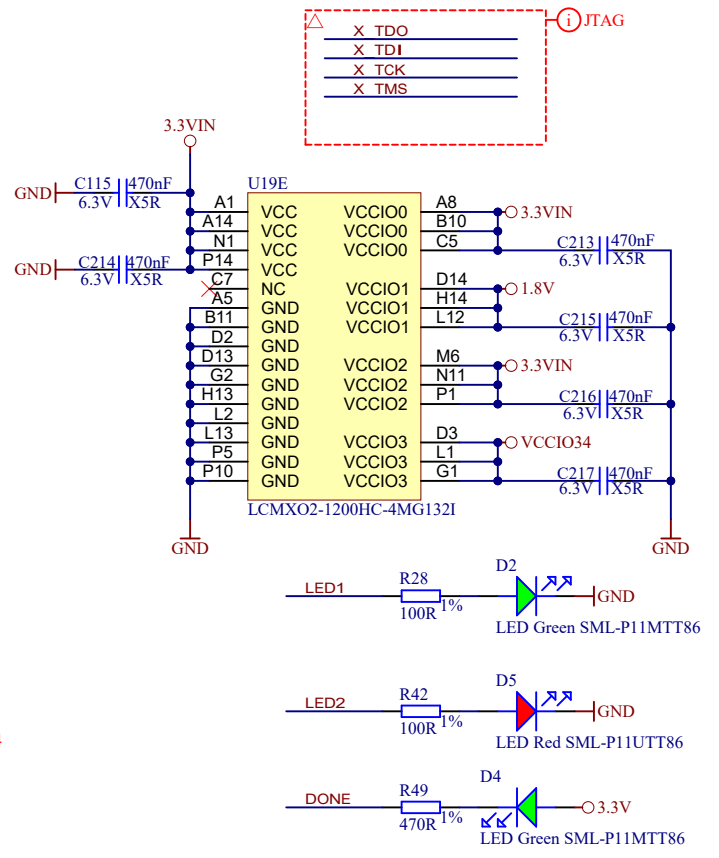
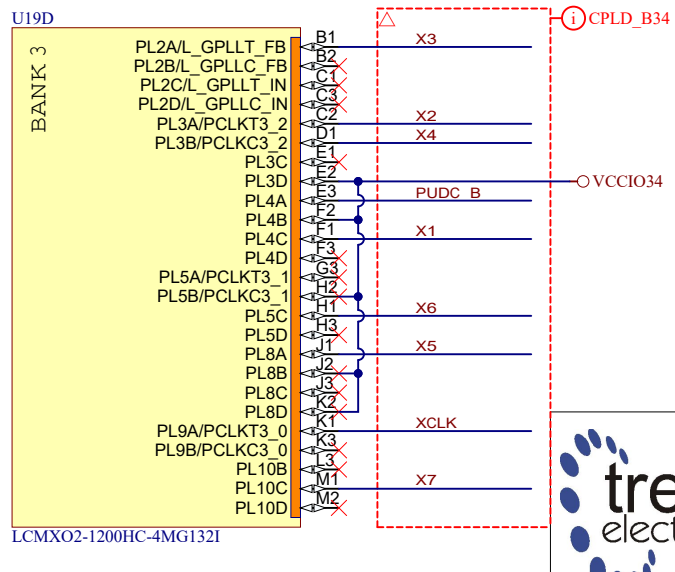
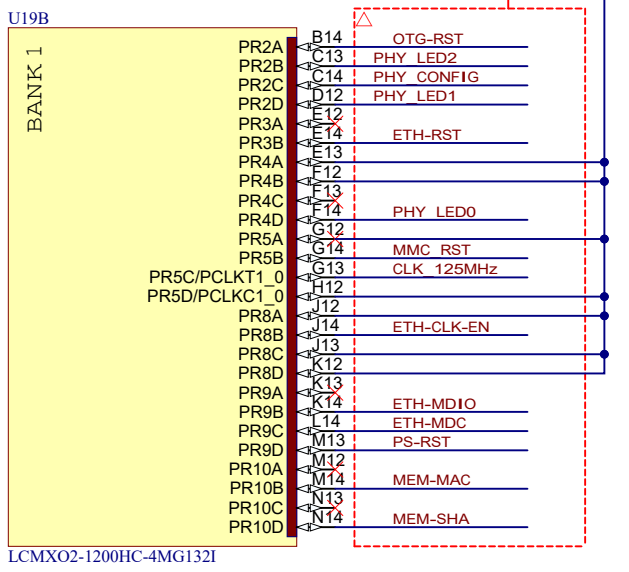
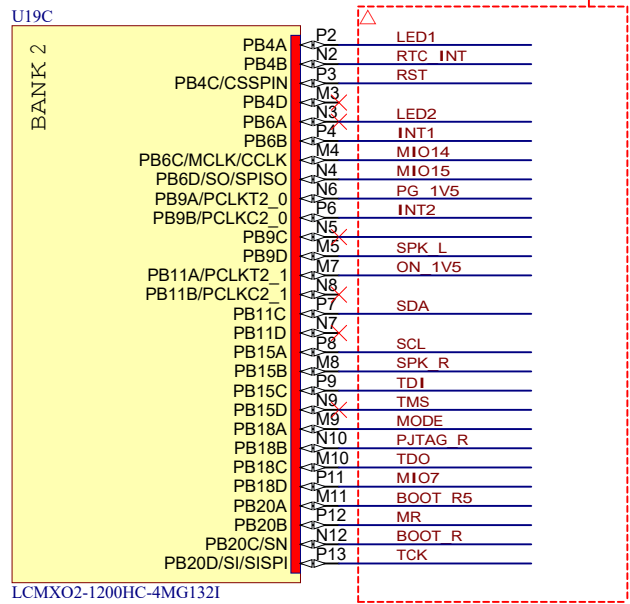
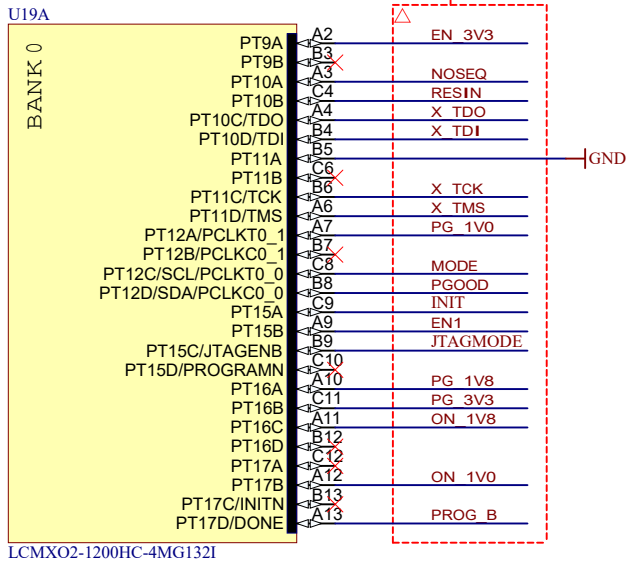
USA

BANK13

VCCO_13	IO_L10P_T1_13
VCCO_13	IO_L10N_T1_13
VCCO_13	IO_L11P_T1_SRCC_13
VCCO_13	IO_L11N_T1_SRCC_13
VCCO_13	IO_L12P_T1_MRCC_13
VCCO_13	IO_L12N_T1_MRCC_13
VCCO_13	IO_L13P_T2_MRCC_13
VCCO_13	IO_L13N_T2_MRCC_13
VCCO_13	IO_L14P_T2_SRCC_13
VCCO_13	IO_L14N_T2_SRCC_13
VCCO_13	IO_L15P_T2_DQS_13
VCCO_13	IO_L15N_T2_DQS_13
VCCO_13	IO_L16P_T2_13
VCCO_13	IO_L16N_T2_13
VCCO_13	IO_L17P_T2_13
VCCO_13	IO_L17N_T2_13
VCCO_13	IO_L18P_T2_13
VCCO_13	IO_L18N_T2_13
VCCO_13	IO_L19N_T3_13
VCCO_13	IO_L19N_T3_VREF_13
VCCO_13	IO_L20P_T3_13
VCCO_13	IO_L20N_T3_13
VCCO_13	IO_L21P_T3_DQS_13
VCCO_13	IO_L21N_T3_DQS_13
VCCO_13	IO_L22P_T3_13
VCCO_13	IO_L22N_T3_13
VCCO_13	IO_L23P_T3_13
VCCO_13	IO_L23N_T3_13
VCCO_13	IO_L24P_T3_13
VCCO_13	IO_L24N_T3_13



Title: GigaZee - B13		
A4	Number: TE0720 61Q42GAY	Rev. 03
Date: 2015-10-12	Copyright: 2013 Trenz Electronic GmbH	Page5 of 15
Filename: B13.SchDoc		



Title: GigaZee - System Controller		
A4	Number: TE0720 61Q42GAY	Rev. 03
Date: 2015-10-12	Copyright: 2013 Trenz Electronic GmbH	Page6 of 15
Filename: SystemController.SchDoc		

1

2

3

4

1

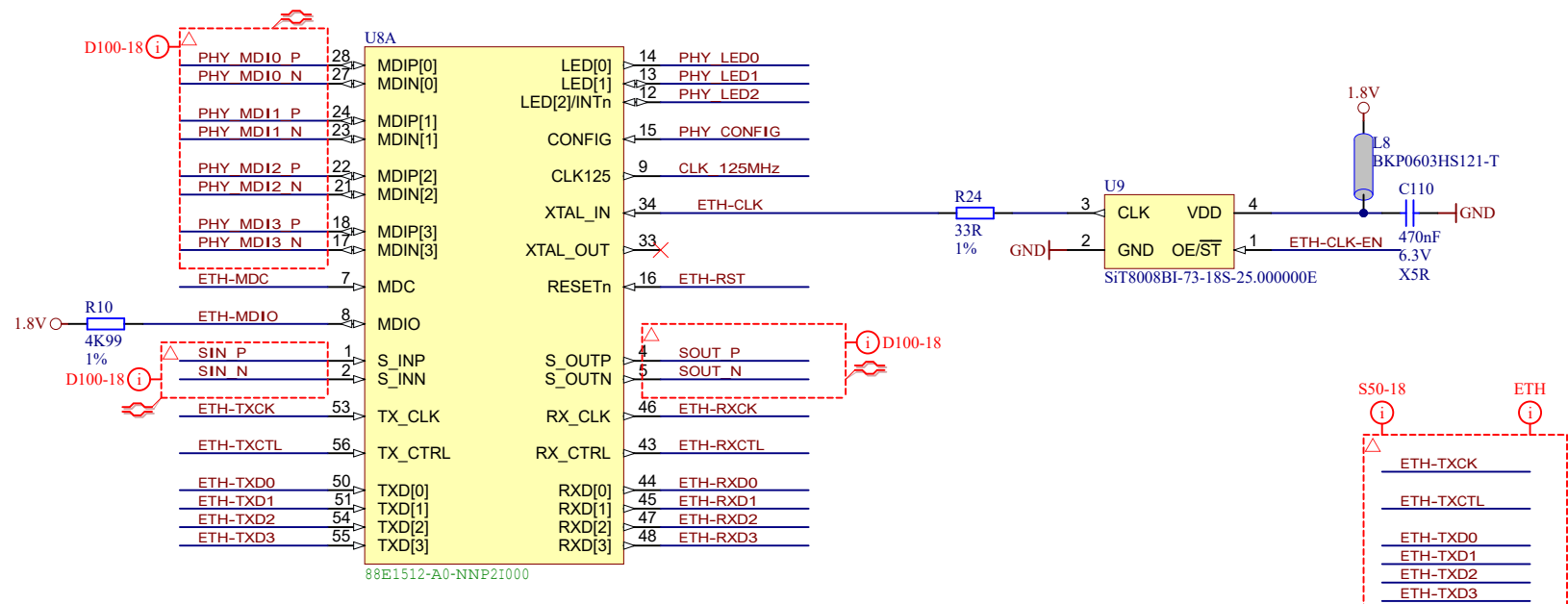
2

3

4

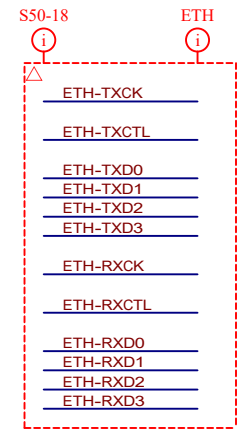
A

A



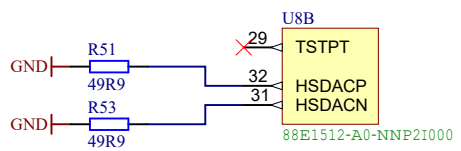
B

B




C

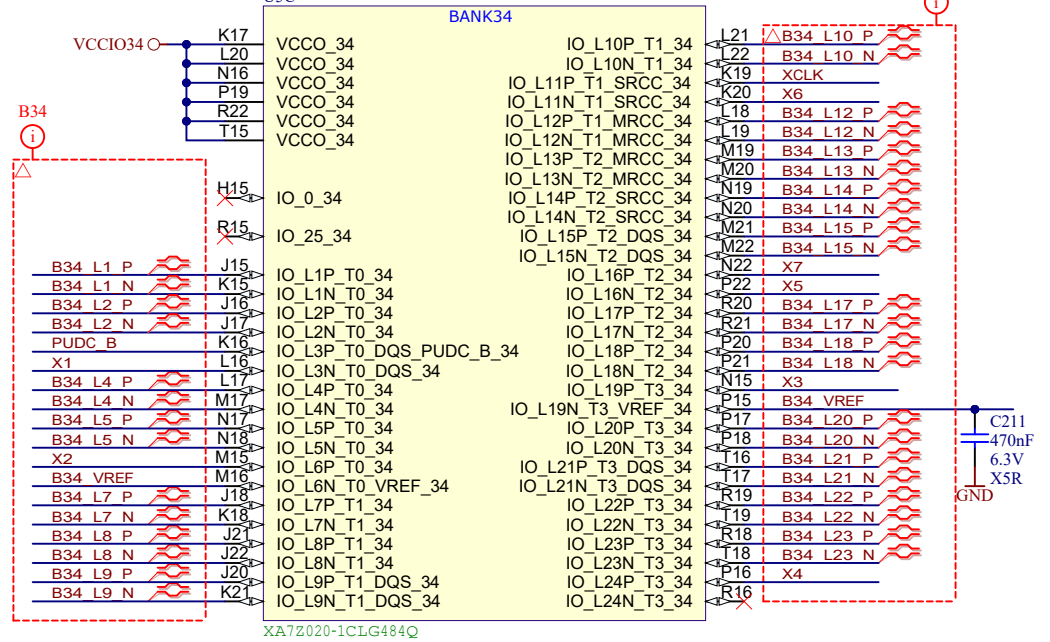
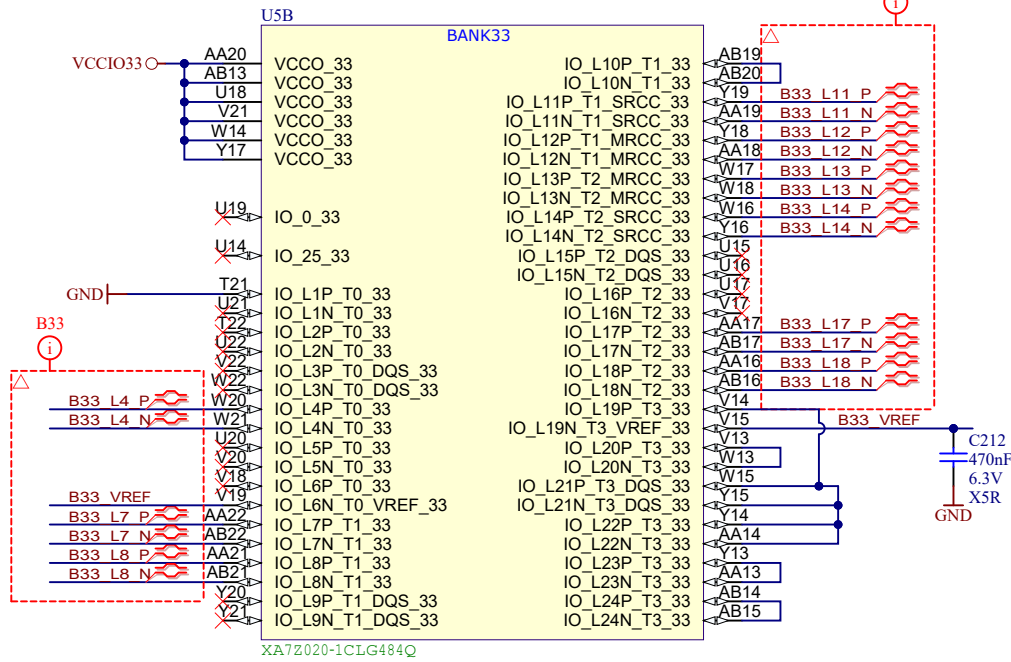
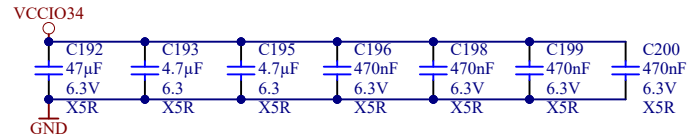
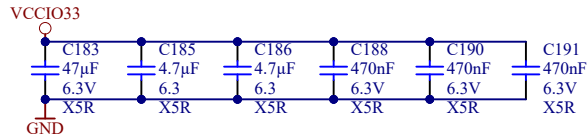
C



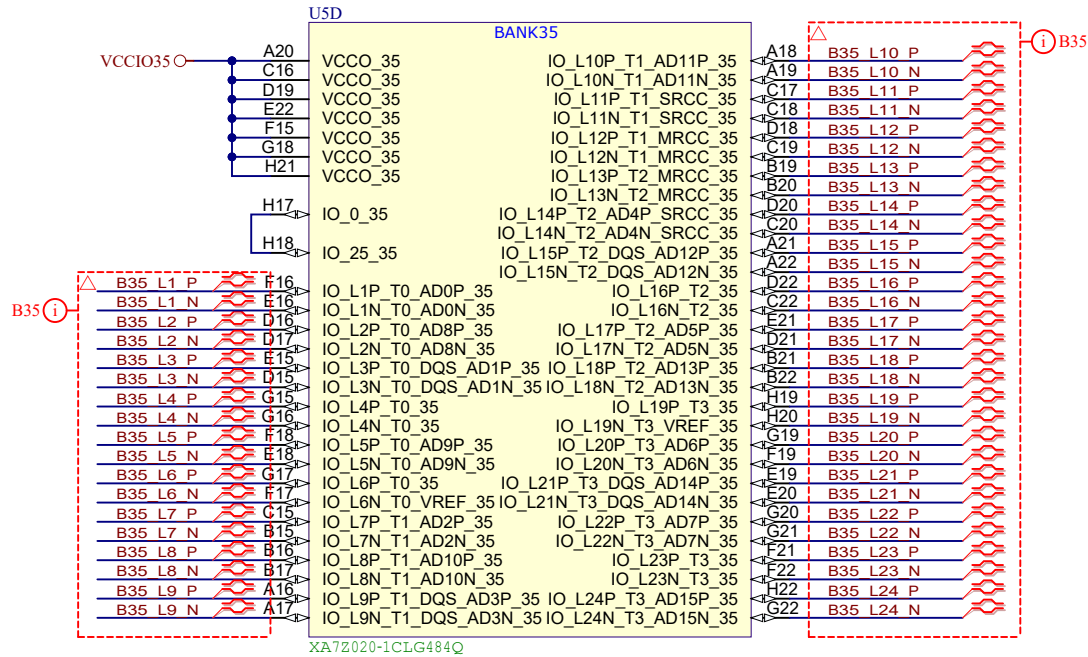
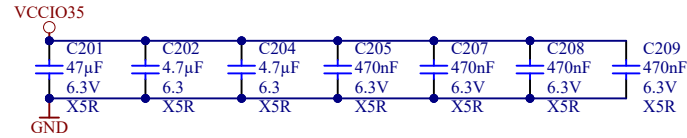

D

D

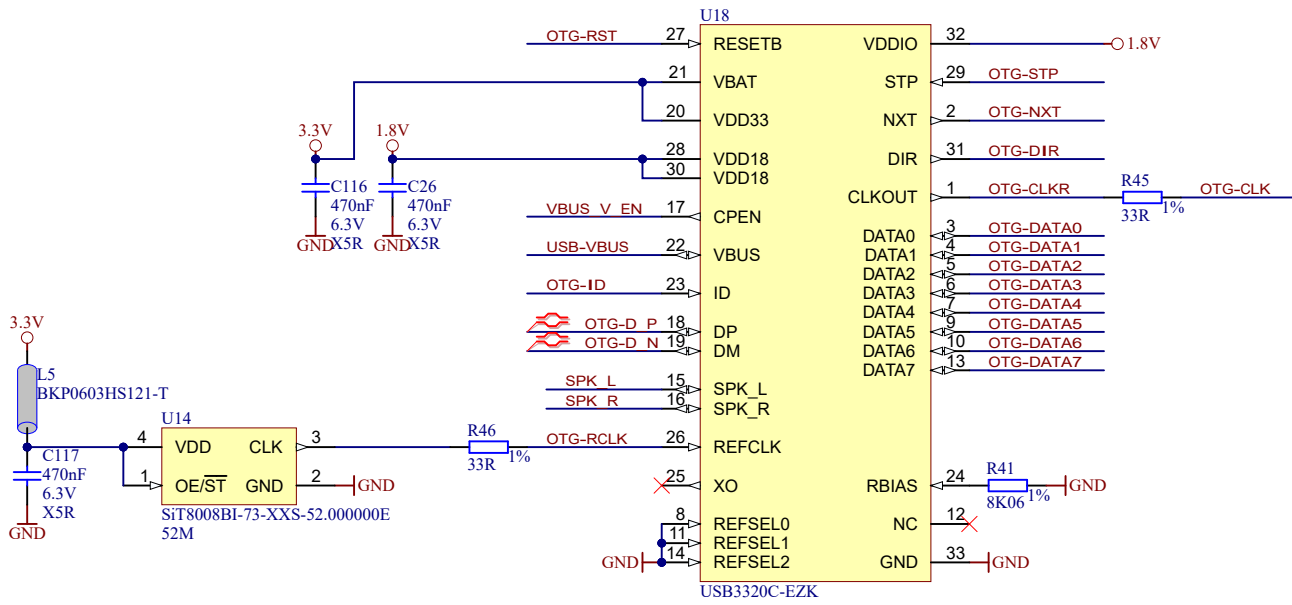
			Title: GigaZee - Ethernet	
			A4	Number: TE0720 61Q42GAY
Date: 2015-10-12		Copyright: 2013 Trenz Electronic GmbH		Page7 of 15
Filename: ETH-PHY.SchDoc				



Title: GigaZee - B33 - B34		
A4	Number: TE0720 61Q42GAY	Rev. 03
Date: 2015-10-12	Copyright: 2013 Trenz Electronic GmbH	Page8 of 15
Filename: B33-B34.SchDoc		

Title: GigaZee - B35		
A4	Number: TE0720 61Q42GAY	Rev. 03
Date: 2015-10-12	Copyright: 2013 Trenz Electronic GmbH	Page9 of 15
Filename: B35.SchDoc		

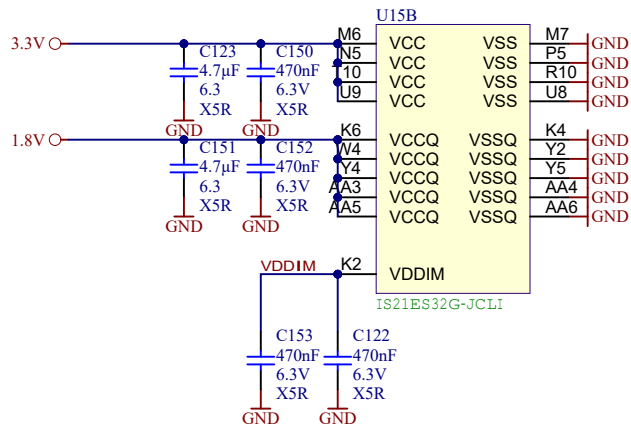
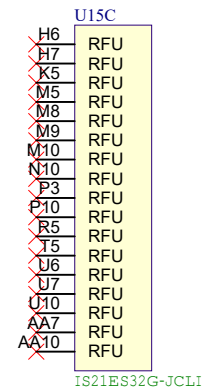
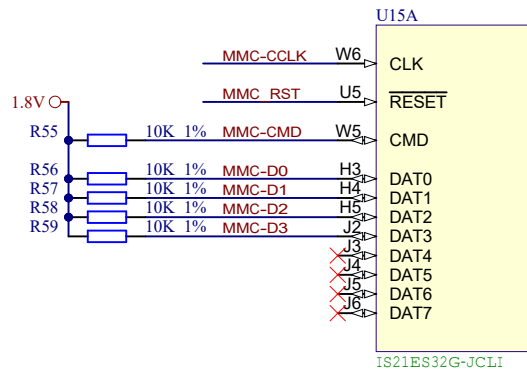


	Title: GigaZee - USB		
	A4	Number: TE0720 61Q42GAY	Rev. 03
	Date: 2015-10-12	Copyright: 2013 Trenz Electronic GmbH	
	Page 10 of 15		
Filename: USB-PHY.SchDoc			

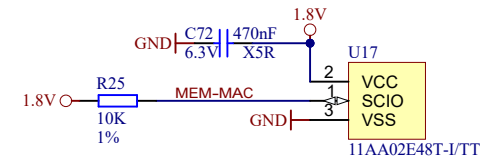
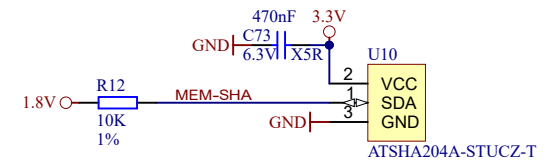
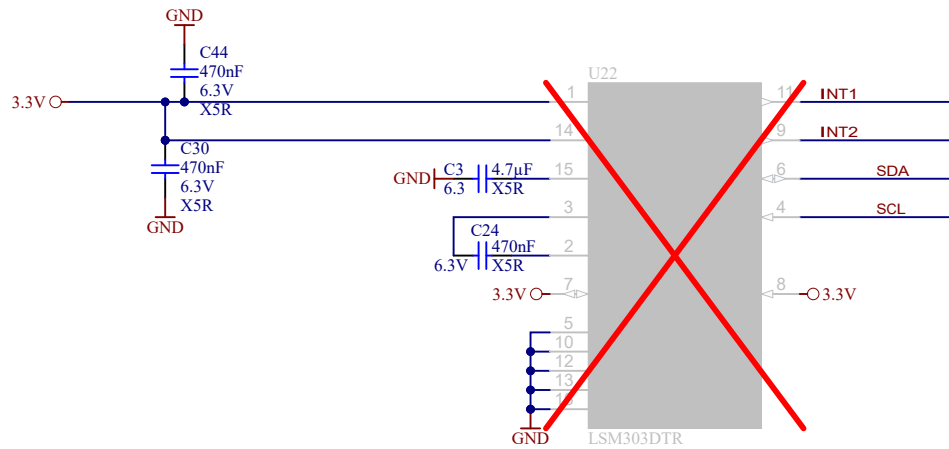
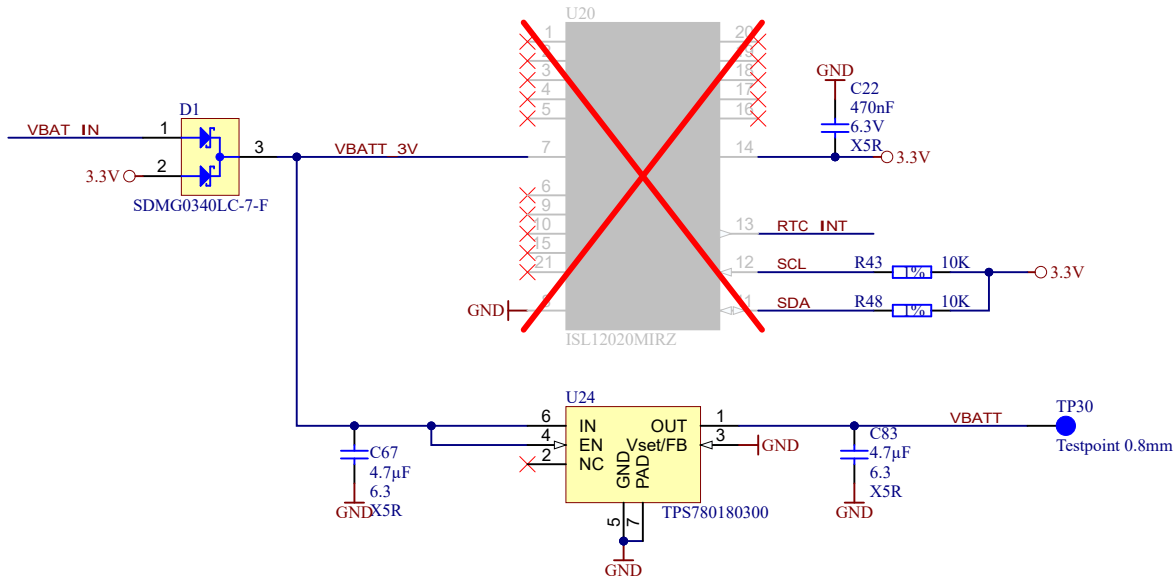
U15D

A4	NC	NC	R2
A6	NC	NC	R3
A9	NC	NC	R12
A11	NC	NC	R13
B2	NC	NC	R14
B13	NC	NC	T1
D1	NC	NC	T2
D14	NC	NC	T3
H1	NC	NC	T12
H2	NC	NC	T13
H8	NC	NC	T14
H9	NC	NC	U1
H10	NC	NC	U2
H11	NC	NC	U3
H12	NC	NC	U12
H13	NC	NC	U13
H14	NC	NC	U14
J1	NC	NC	V1
J7	NC	NC	V2
J8	NC	NC	V3
J9	NC	NC	V12
J10	NC	NC	V13
J11	NC	NC	V14
J12	NC	NC	W1
J13	NC	NC	W2
J14	NC	NC	W3
K1	NC	NC	W7
K3	NC	NC	W8
K7	NC	NC	W9
K8	NC	NC	W10
K9	NC	NC	W11
K10	NC	NC	W12
K11	NC	NC	W13
K12	NC	NC	W14
K13	NC	NC	Y1
K14	NC	NC	Y3
L1	NC	NC	Y6
L2	NC	NC	Y7
L3	NC	NC	Y8
L4	NC	NC	Y9
L12	NC	NC	Y10
L13	NC	NC	Y11
L14	NC	NC	Y12
M1	NC	NC	Y13
M2	NC	NC	Y14
M3	NC	NC	AA1
M12	NC	NC	AA2
M13	NC	NC	AA8
M14	NC	NC	AA9
N1	NC	NC	AA11
N2	NC	NC	AA12
N3	NC	NC	AA13
N12	NC	NC	AA14
N13	NC	NC	AE1
N14	NC	NC	AE14
P1	NC	NC	AG2
P2	NC	NC	AG13
P12	NC	NC	AH4
P13	NC	NC	AH6
P14	NC	NC	AH9
R1	NC	NC	AH11

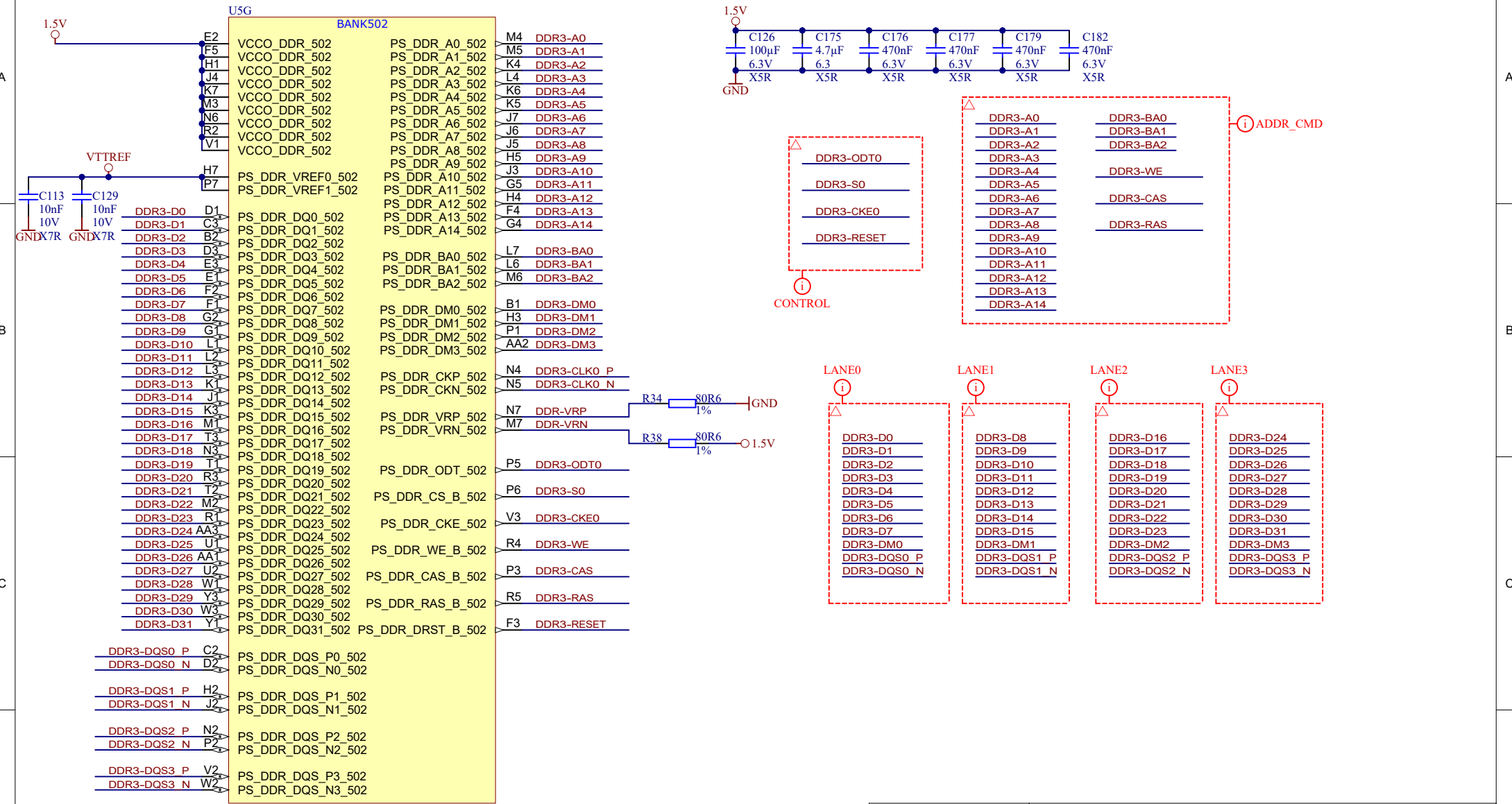
IS21ES32G-JCLI




Title: GigaZee - eNAND		
A4	Number: TE0720 61Q42GAY	Rev. 03
Date: 2015-10-12	Copyright: 2013 Trenz Electronic GmbH	Page 11 of 15
Filename: eMMC.SchDoc		



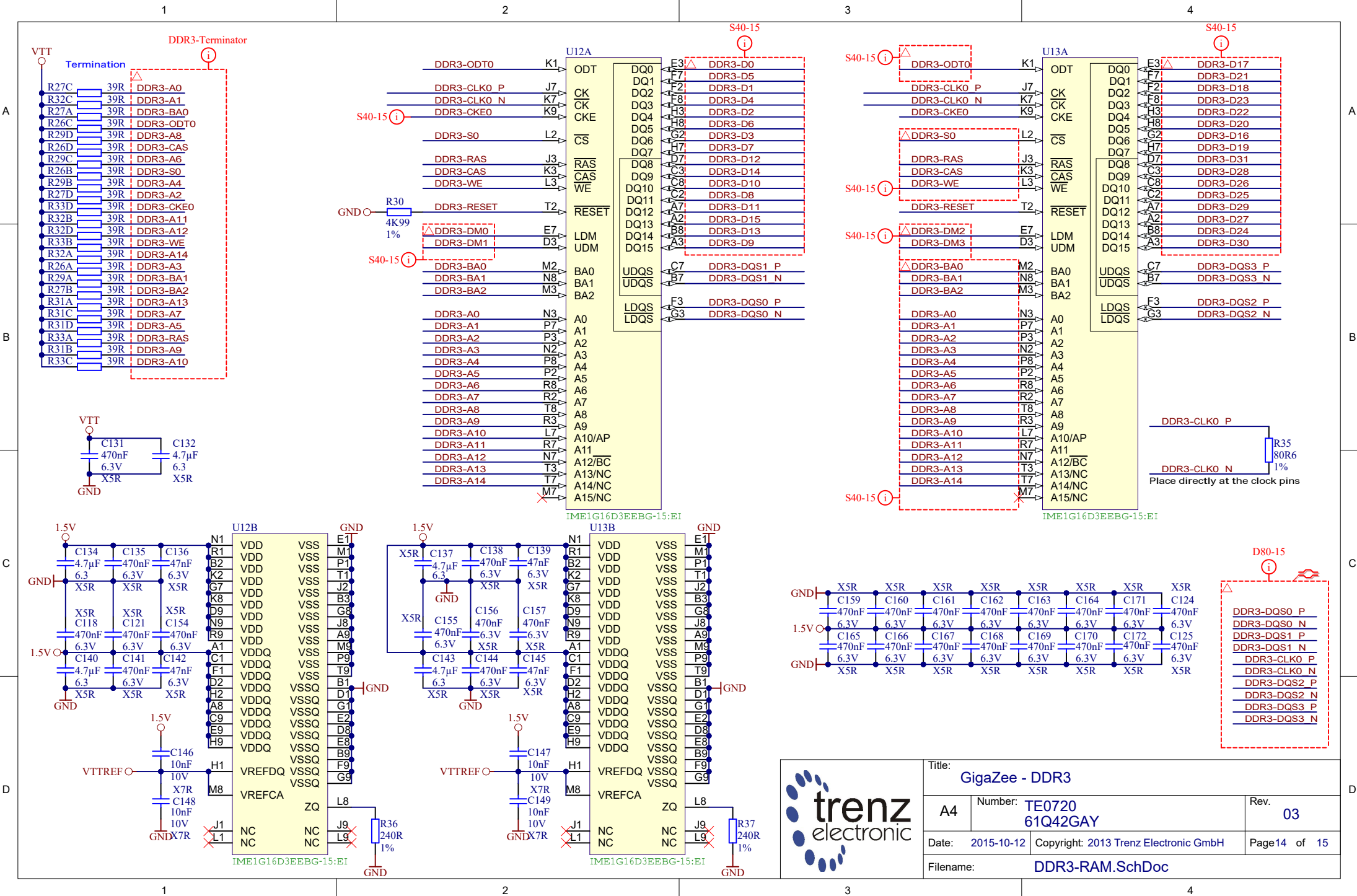
	Title: GigaZee - RTC, MEMS, SHA, MAC		
	A4	Number: TE0720 61Q42GAY	Rev. 03
	Date: 2015-10-12	Copyright: 2013 Trenz Electronic GmbH	Page 12 of 15
	Filename: SENSOR-RTC.SchDoc		



XA7Z020-1CLG484Q



Title: GigaZee - B502		
A4	Number: TE0720 61Q42GAY	Rev. 03
Date: 2015-10-12	Copyright: 2013 Trenz Electronic GmbH	Page13 of 15
Filename: PS-DDR.SchDoc		



1 2 3 4

A

B

C

D

DDR3-Terminator

S40-15

S40-15

U12A

U13A

IME1G16D3EEBG-15:EI

IME1G16D3EEBG-15:EI

D80-15

Title: GigaZee - DDR3		
A4	Number: TE0720 61Q42GAY	Rev. 03
Date: 2015-10-12	Copyright: 2013 Trenz Electronic GmbH	Page 14 of 15
Filename: DDR3-RAM.SchDoc		

1

2

3

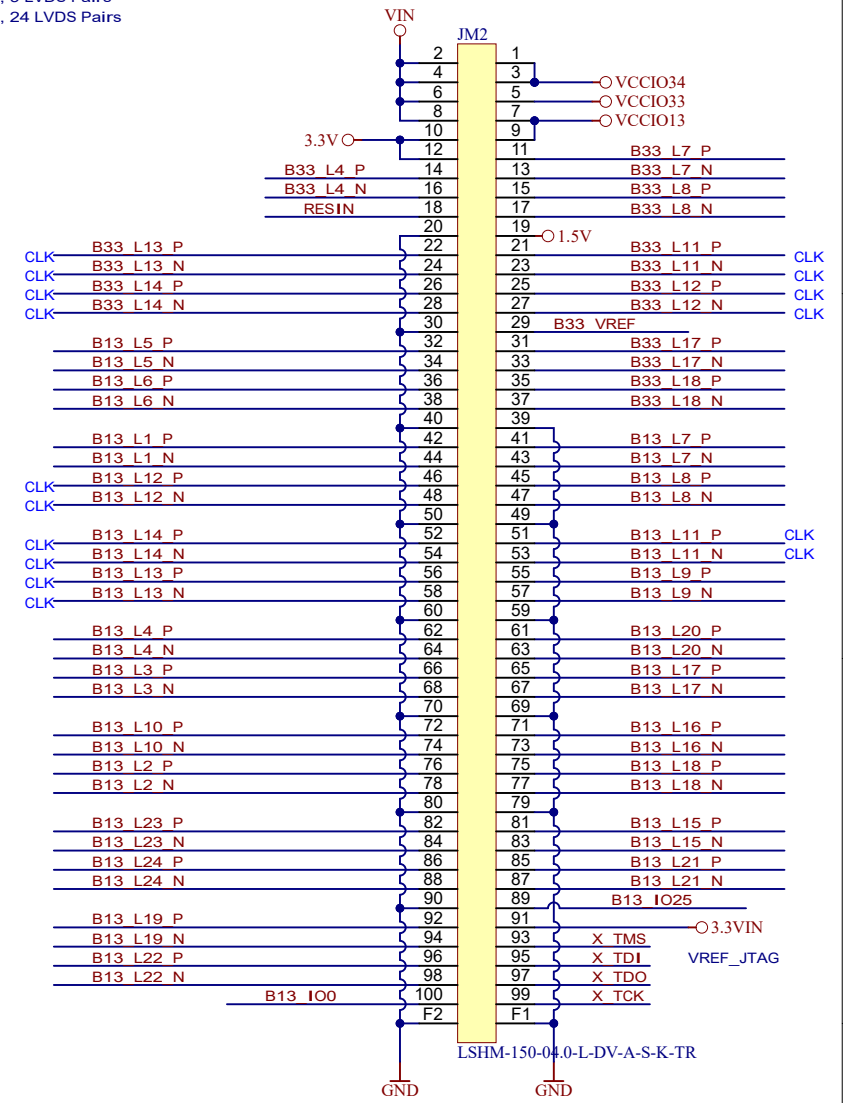
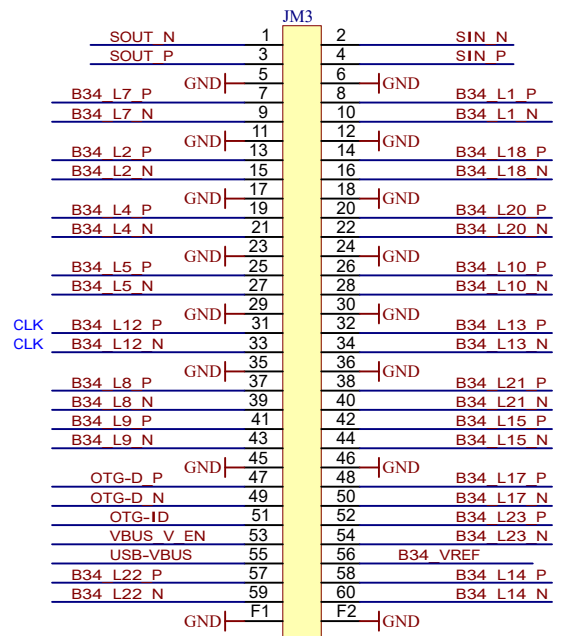
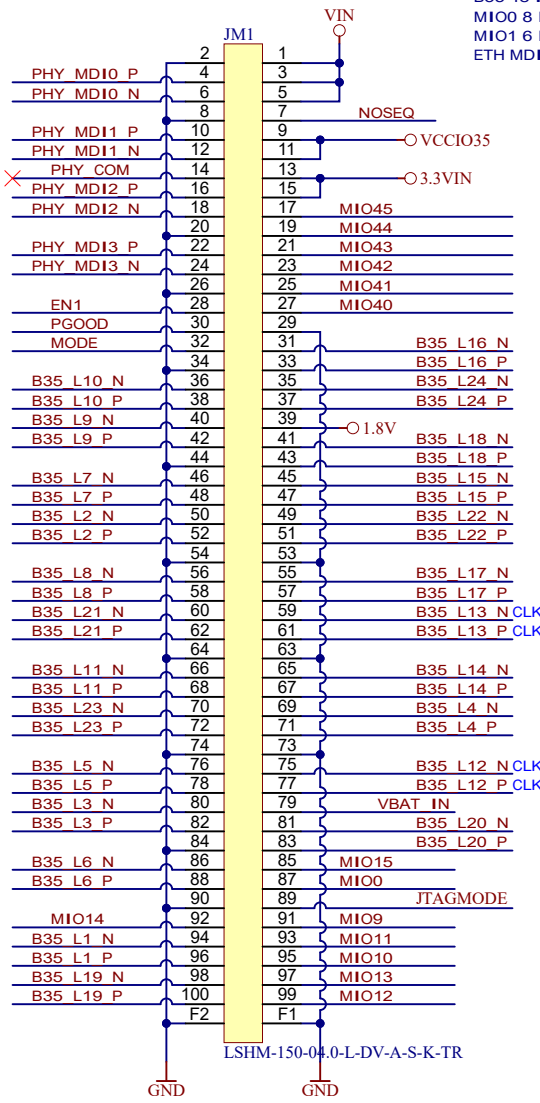
4



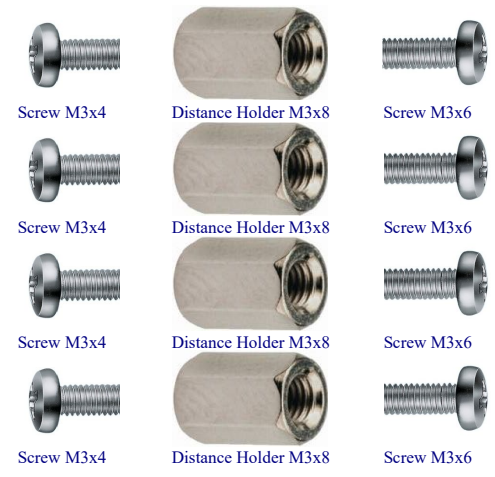
B35 48 IO, 24 LVDS Pairs
 MIO0 8 IO, 3.3V
 MIO1 6 IO 1.8V
 ETH MDI Copper

B34 36 IO, 18 LVDS Pairs
 USB OTG
 ETH SGMII

B33 18 IO, 9 LVDS Pairs
 B13 48 IO, 24 LVDS Pairs
 B13 2 IO



Top of Board



Title: GigaZee - B2B Connector		
A4	Number: TE0720 61Q42GAY	Rev. 03
Date: 2015-10-12	Copyright: 2013 Trenz Electronic GmbH	Page 15 of 15
Filename: B2B-Connectors.SchDoc		