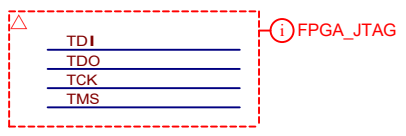
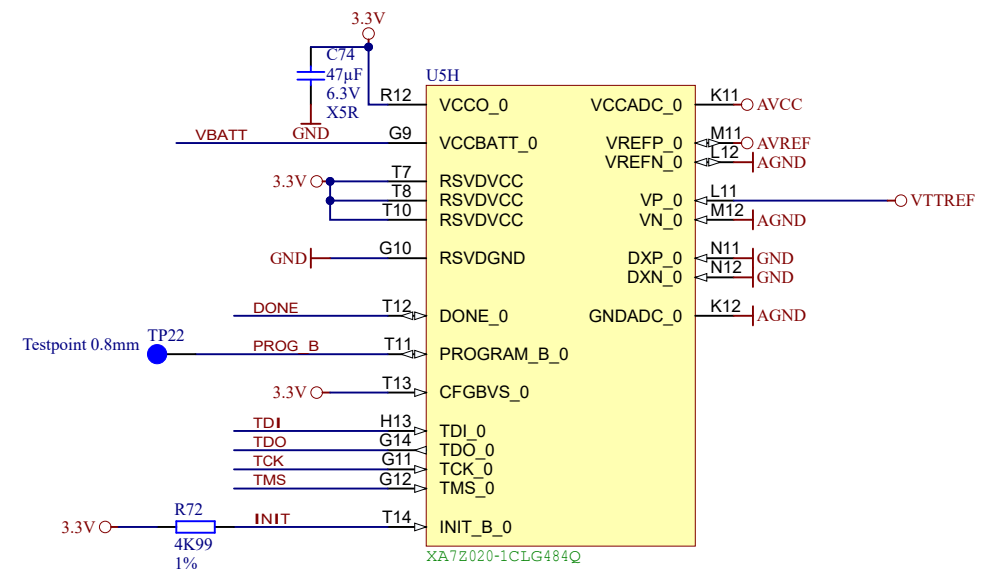
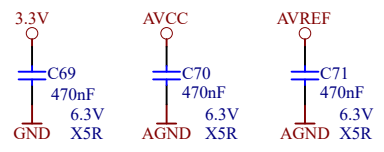
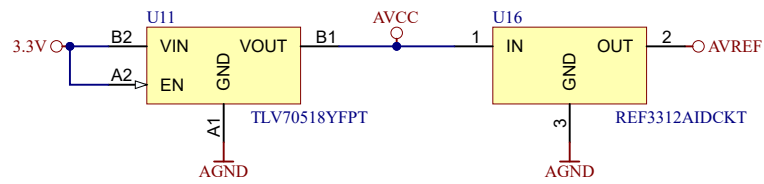
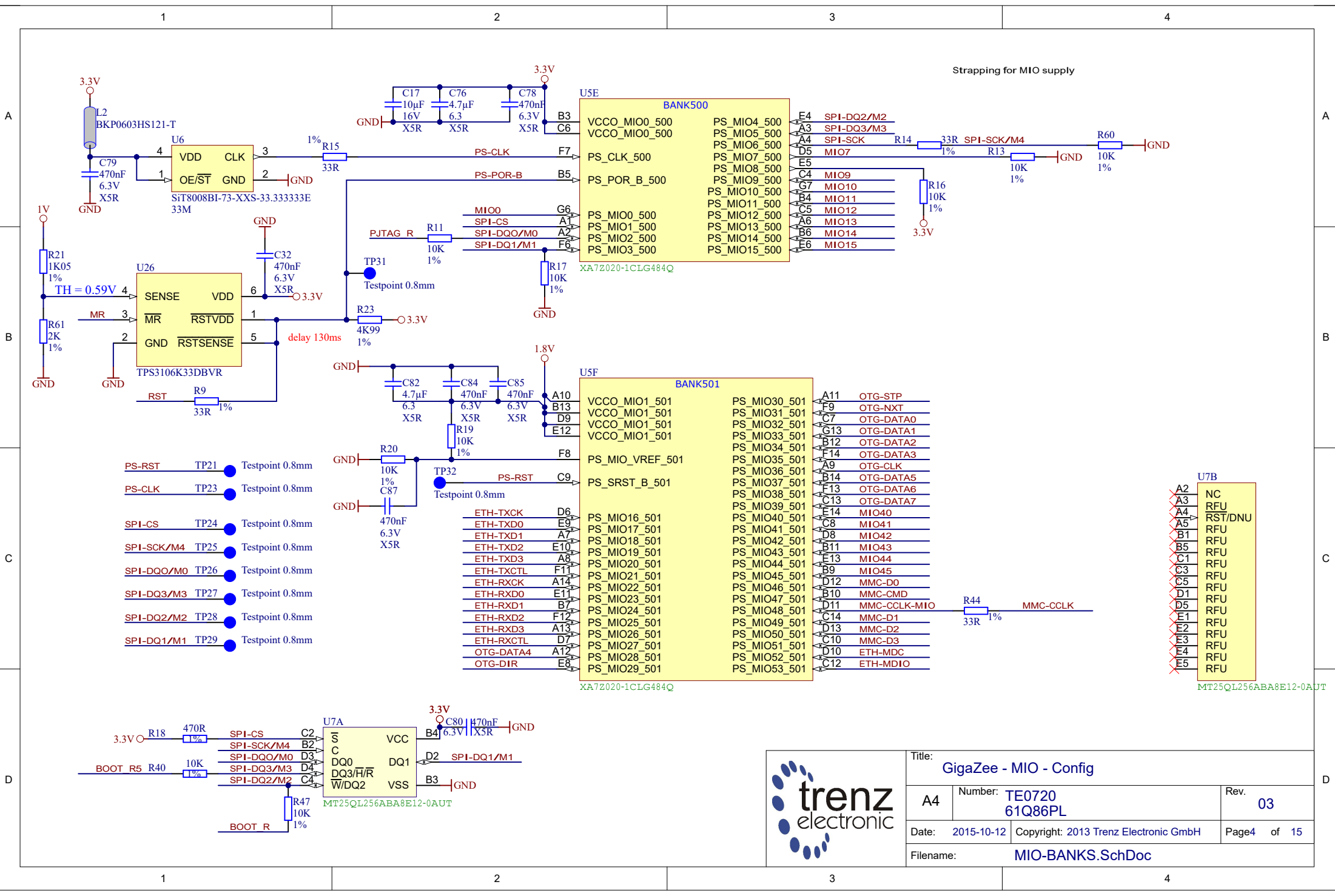


			Title: GigaZee - FPGA Power	
			A4	Number: TE0720 61Q86PL
Date: 2015-10-12		Copyright: 2013 Trenz Electronic GmbH		Page2 of 15
Filename: FPGA-PWR.SchDoc				



	Title: GigaZee - B0		
	A4	Number: TE0720 61Q86PL	Rev. 03
	Date: 2015-10-12	Copyright: 2013 Trenz Electronic GmbH	Page3 of 15
	Filename: FPGA-MISC.SchDoc		



Strapping for MIO supply

BANK500

VCCO_MIO0_500	PS_MIO4_500	E4	SPI-DQ2/M2
VCCO_MIO0_500	PS_MIO5_500	A3	SPI-DQ3/M3
PS_CLK_500	PS_MIO6_500	A4	SPI-SCK/M4
PS_POR_B_500	PS_MIO7_500	D5	MIO7
	PS_MIO8_500	E5	
	PS_MIO9_500	C4	MIO9
	PS_MIO10_500	G7	MIO10
	PS_MIO11_500	B4	MIO11
	PS_MIO12_500	C5	MIO12
	PS_MIO13_500	A6	MIO13
	PS_MIO14_500	B6	MIO14
	PS_MIO15_500	E6	MIO15

BANK501

VCCO_MIO1_501	PS_MIO30_501	A11	OTG-STP
VCCO_MIO1_501	PS_MIO31_501	F9	OTG-NXT
VCCO_MIO1_501	PS_MIO32_501	C7	OTG-DATA0
VCCO_MIO1_501	PS_MIO33_501	G13	OTG-DATA1
	PS_MIO34_501	B12	OTG-DATA2
	PS_MIO35_501	F14	OTG-DATA3
	PS_MIO36_501	A9	OTG-CLK
	PS_MIO37_501	B14	OTG-DATA5
	PS_MIO38_501	F13	OTG-DATA6
	PS_MIO39_501	C13	OTG-DATA7
	PS_MIO40_501	E14	MIO40
	PS_MIO41_501	C8	MIO41
	PS_MIO42_501	D8	MIO42
	PS_MIO43_501	B11	MIO43
	PS_MIO44_501	E13	MIO44
	PS_MIO45_501	B9	MIO45
	PS_MIO46_501	D12	MMC-D0
	PS_MIO47_501	B10	MMC-CMD
	PS_MIO48_501	D11	MMC-CCLK-MIO
	PS_MIO49_501	C14	MMC-D1
	PS_MIO50_501	D13	MMC-D2
	PS_MIO51_501	C10	MMC-D3
	PS_MIO52_501	D10	ETH-MDC
	PS_MIO53_501	C12	ETH-MDIO

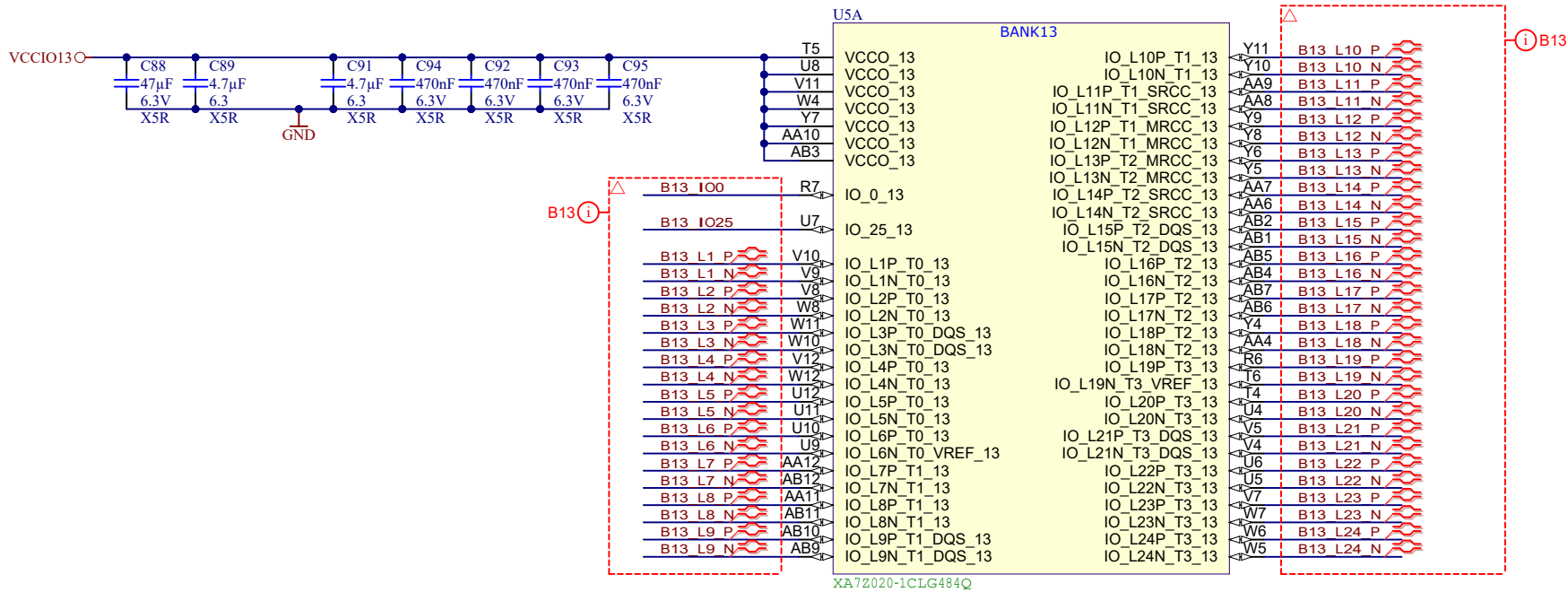
U7B

A2	NC
A3	RFU
A4	RFU
A5	RST/DNU
B1	RFU
B5	RFU
C1	RFU
C3	RFU
D1	RFU
D5	RFU
E1	RFU
E2	RFU
E3	RFU
E4	RFU
E5	RFU

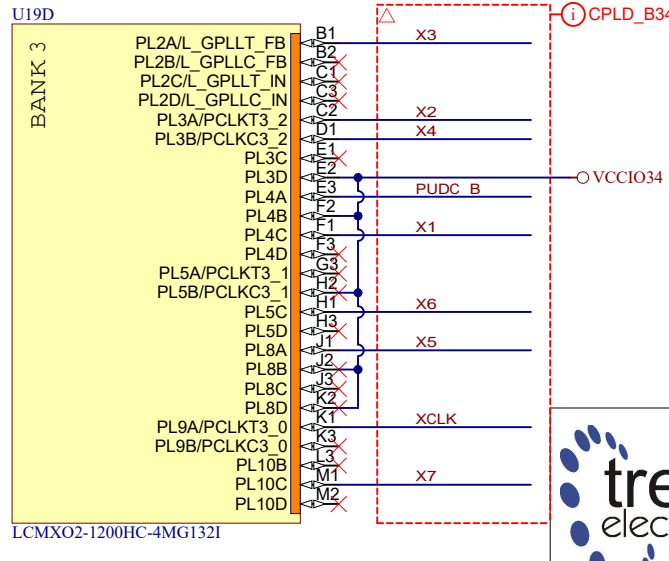
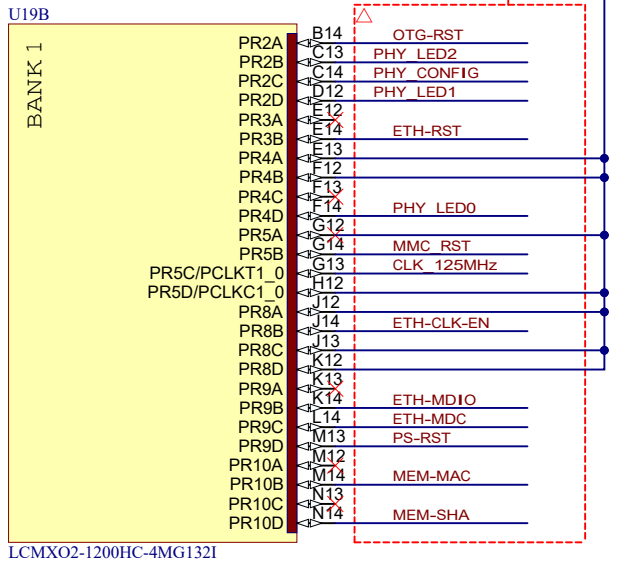
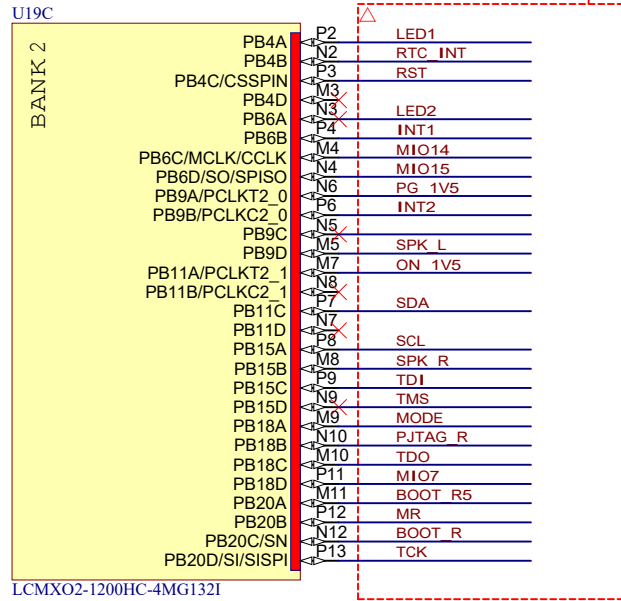
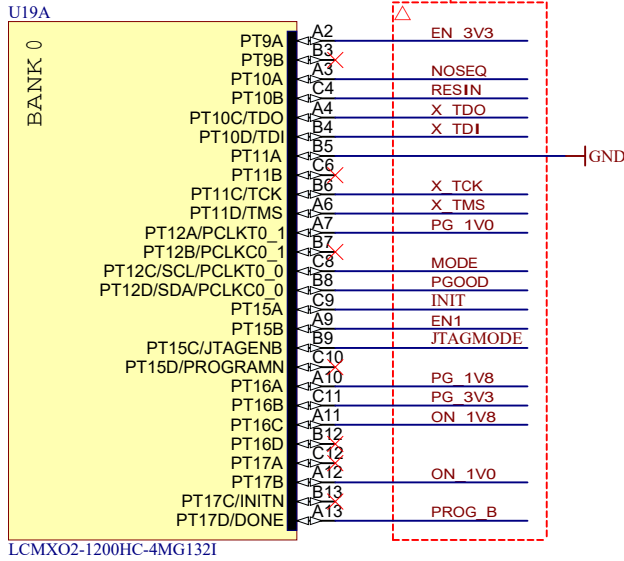
Title: GigaZee - MIO - Config		
A4	Number: TE0720 61Q86PL	Rev. 03
Date: 2015-10-12	Copyright: 2013 Trenz Electronic GmbH	Page4 of 15
Filename: MIO-BANKS.SchDoc		



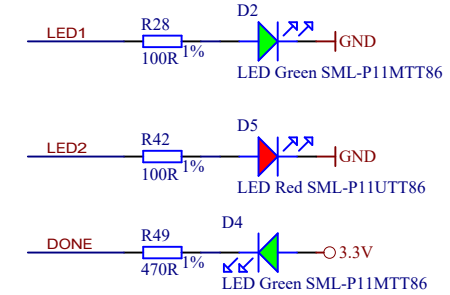
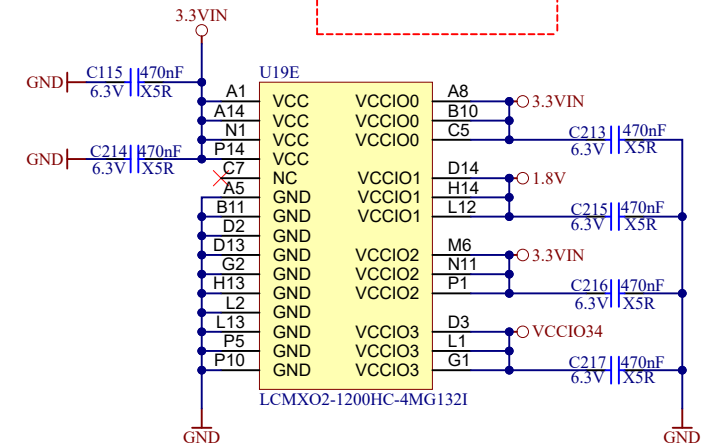
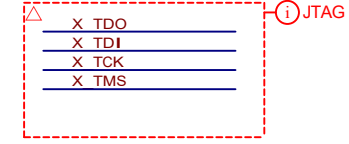
MT25QL256ABA8E12-0AUT



Title: GigaZee - B13		
A4	Number: TE0720 61Q86PL	Rev. 03
Date: 2015-10-12	Copyright: 2013 Trenz Electronic GmbH	Page5 of 15
Filename: B13.SchDoc		



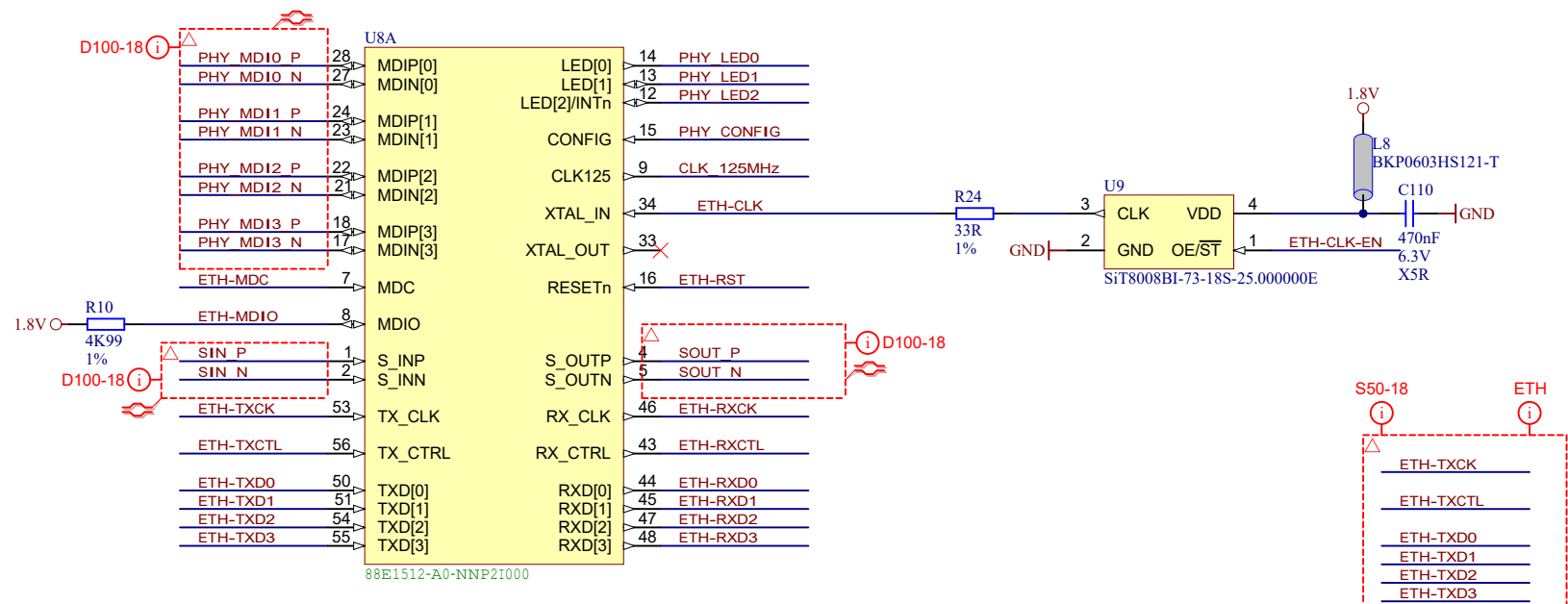
CPLD_3V3



Title: GigaZee - System Controller		
A4	Number: TE0720 61Q86PL	Rev. 03
Date: 2015-10-12	Copyright: 2013 Trenz Electronic GmbH	Page6 of 15
Filename: SystemController.SchDoc		

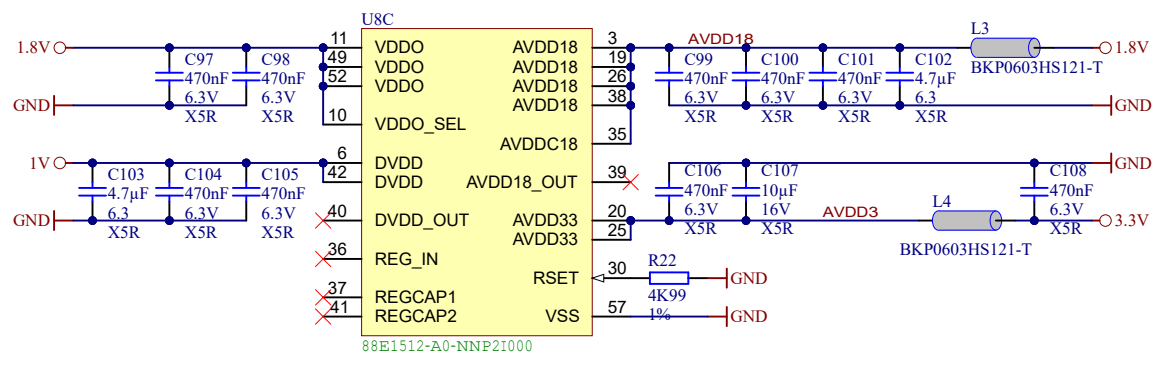
A

A



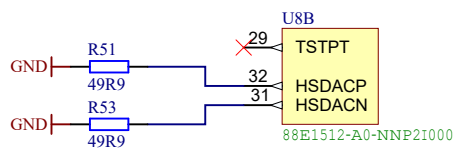
B

B




C

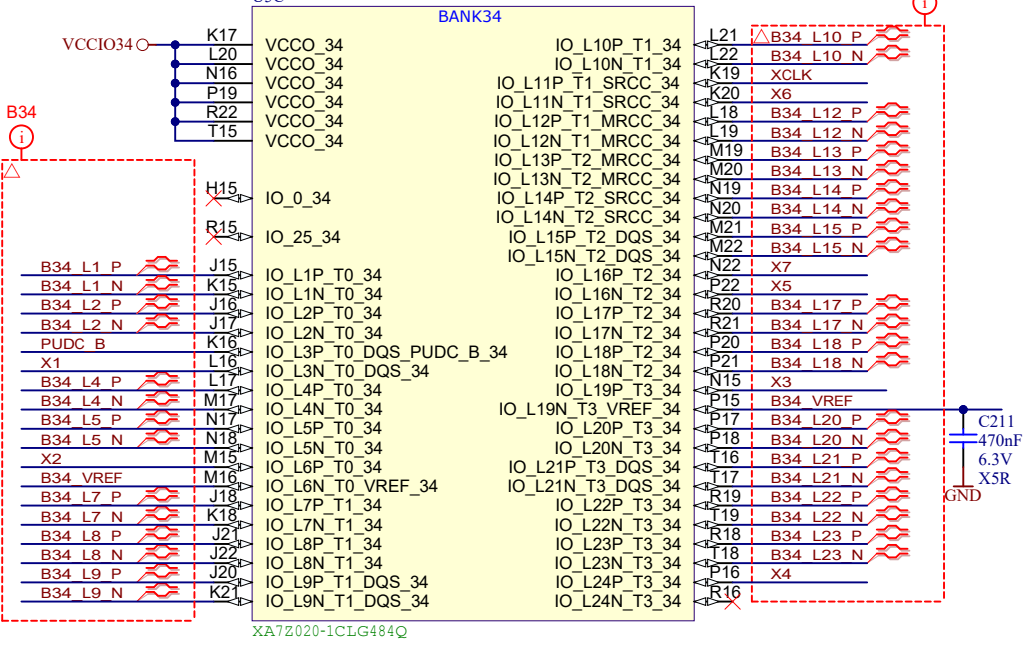
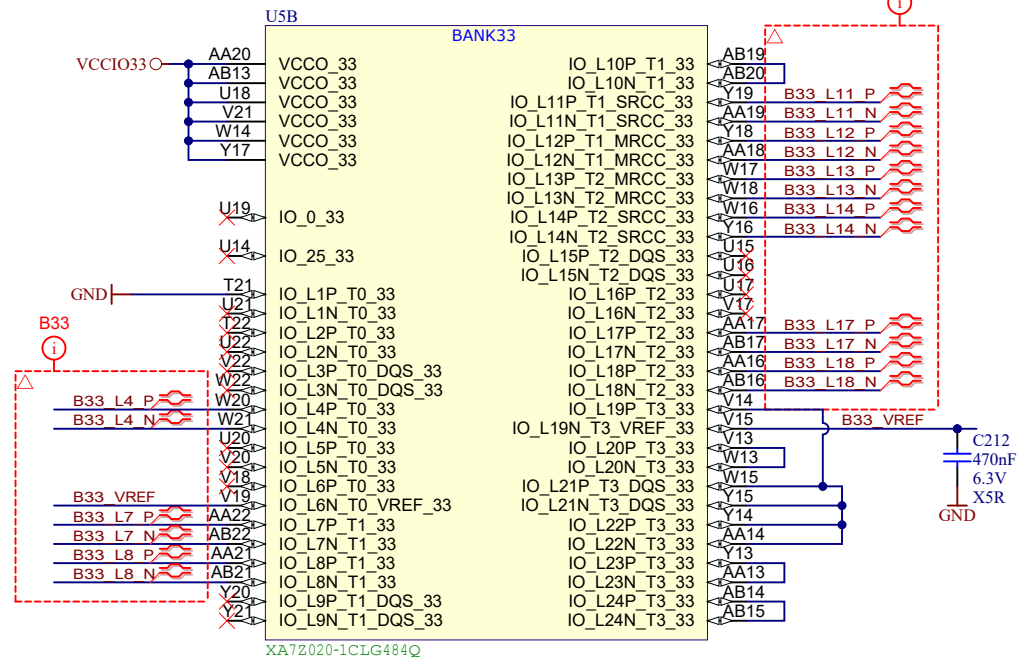
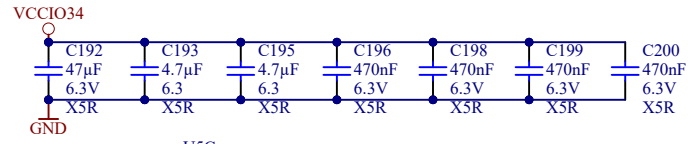
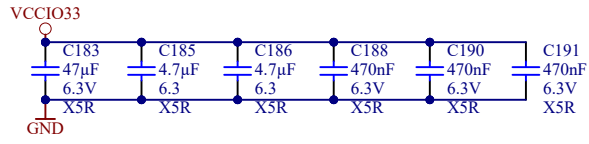
C



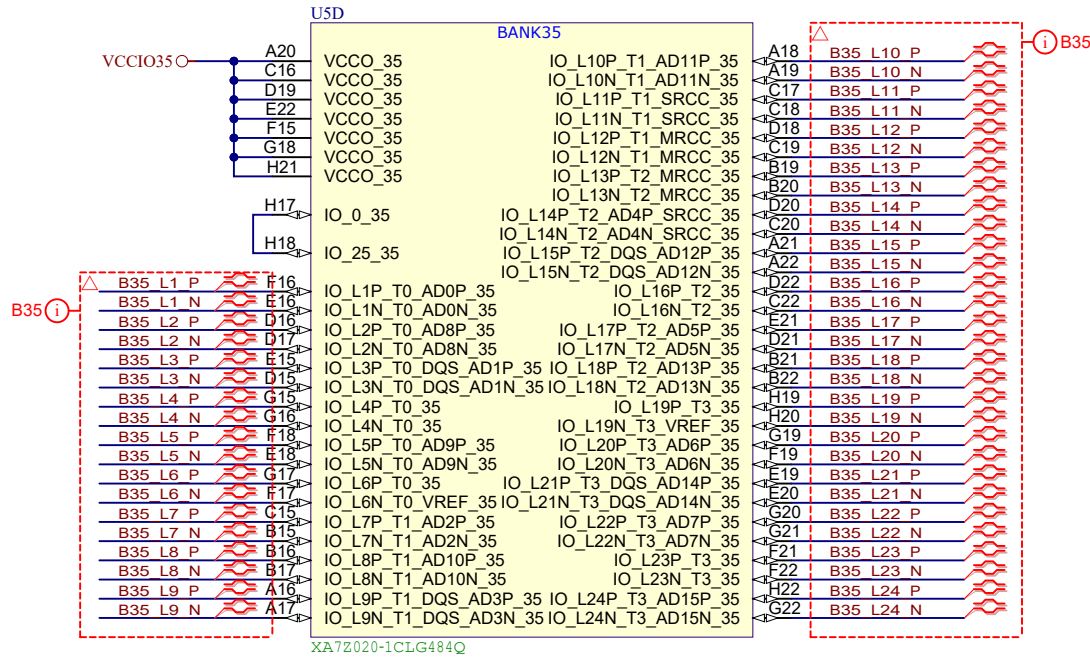
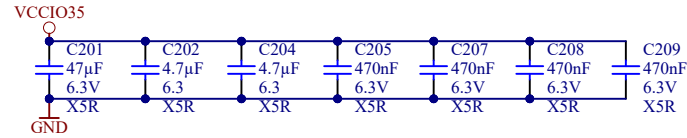
D

D

			Title: GigaZee - Ethernet	
			A4	Number: TE0720 61Q86PL
Date: 2015-10-12		Copyright: 2013 Trenz Electronic GmbH		Page 7 of 15
Filename: ETH-PHY.SchDoc				



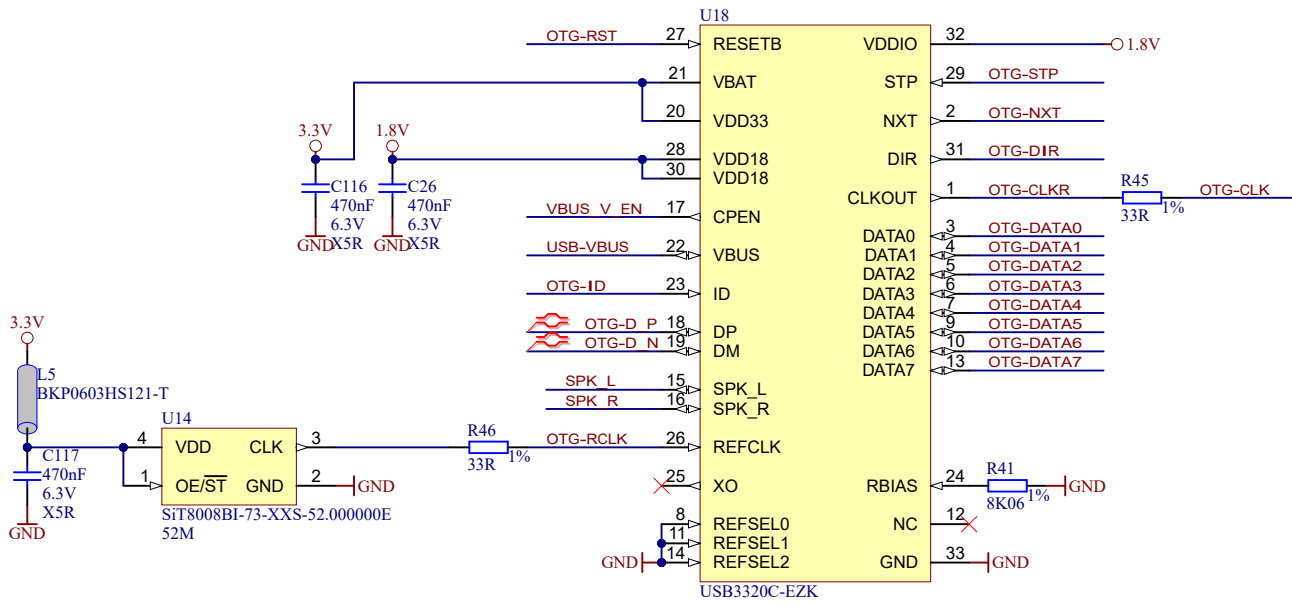
Title: GigaZee - B33 - B34		
A4	Number: TE0720 61Q86PL	Rev. 03
Date: 2015-10-12	Copyright: 2013 Trenz Electronic GmbH	Page8 of 15
Filename: B33-B34.SchDoc		



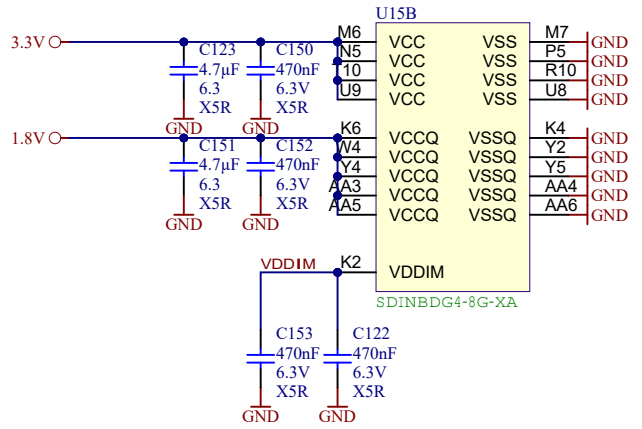
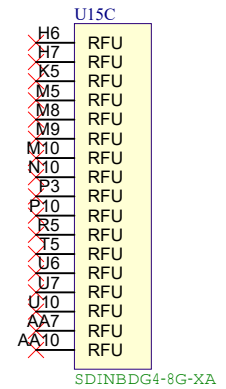
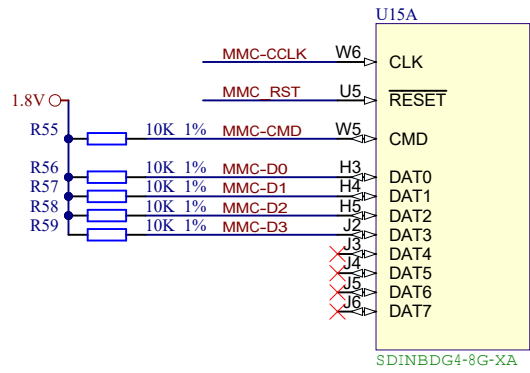
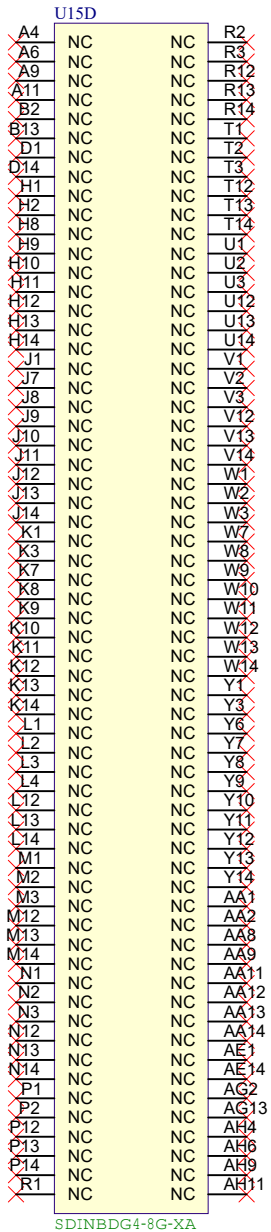
XA7Z020-1C1G484Q



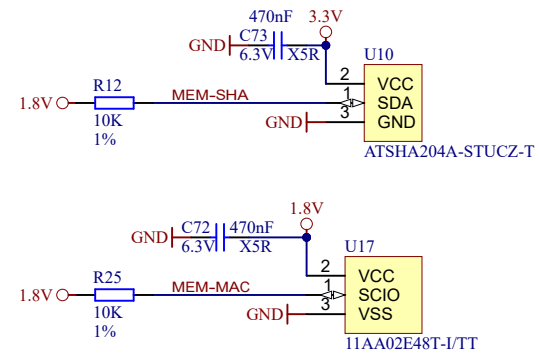
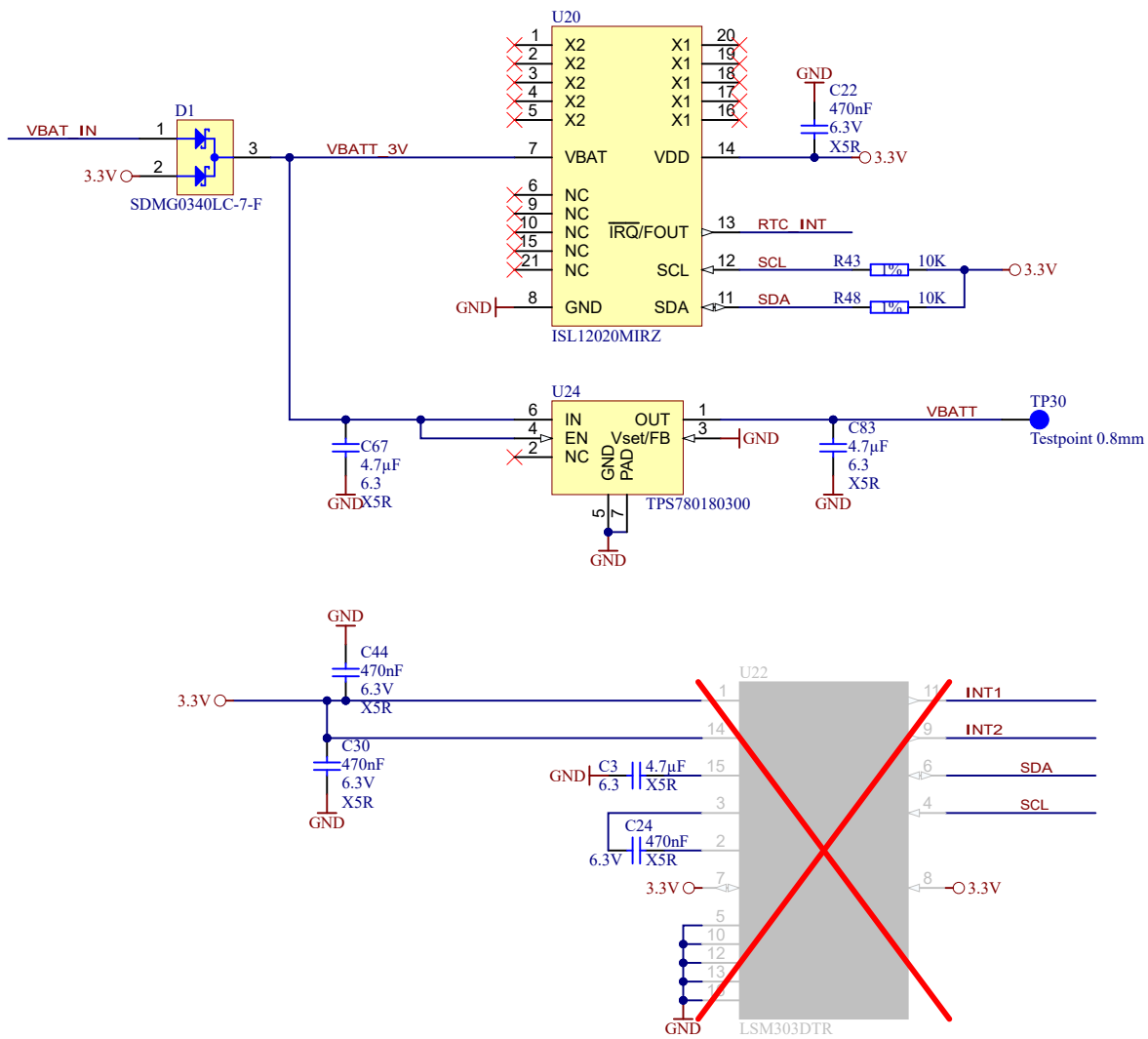
Title: GigaZee - B35		
A4	Number: TE0720 61Q86PL	Rev. 03
Date: 2015-10-12	Copyright: 2013 Trenz Electronic GmbH	Page9 of 15
Filename: B35.SchDoc		




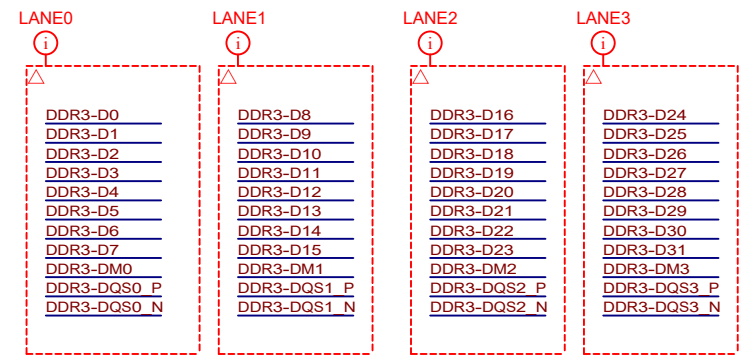
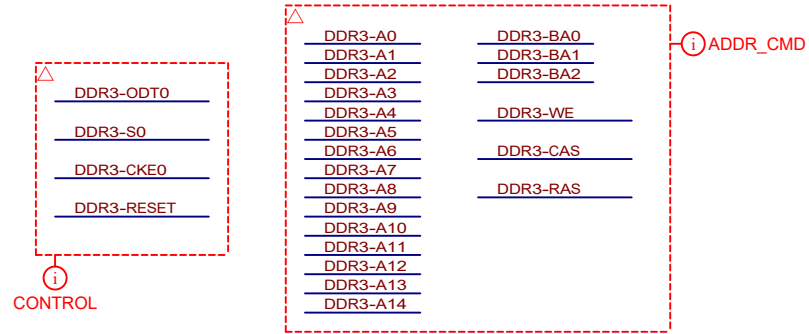
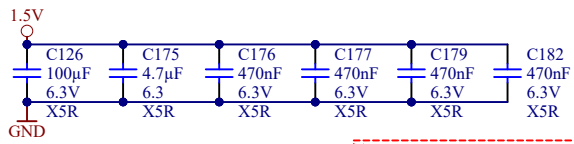
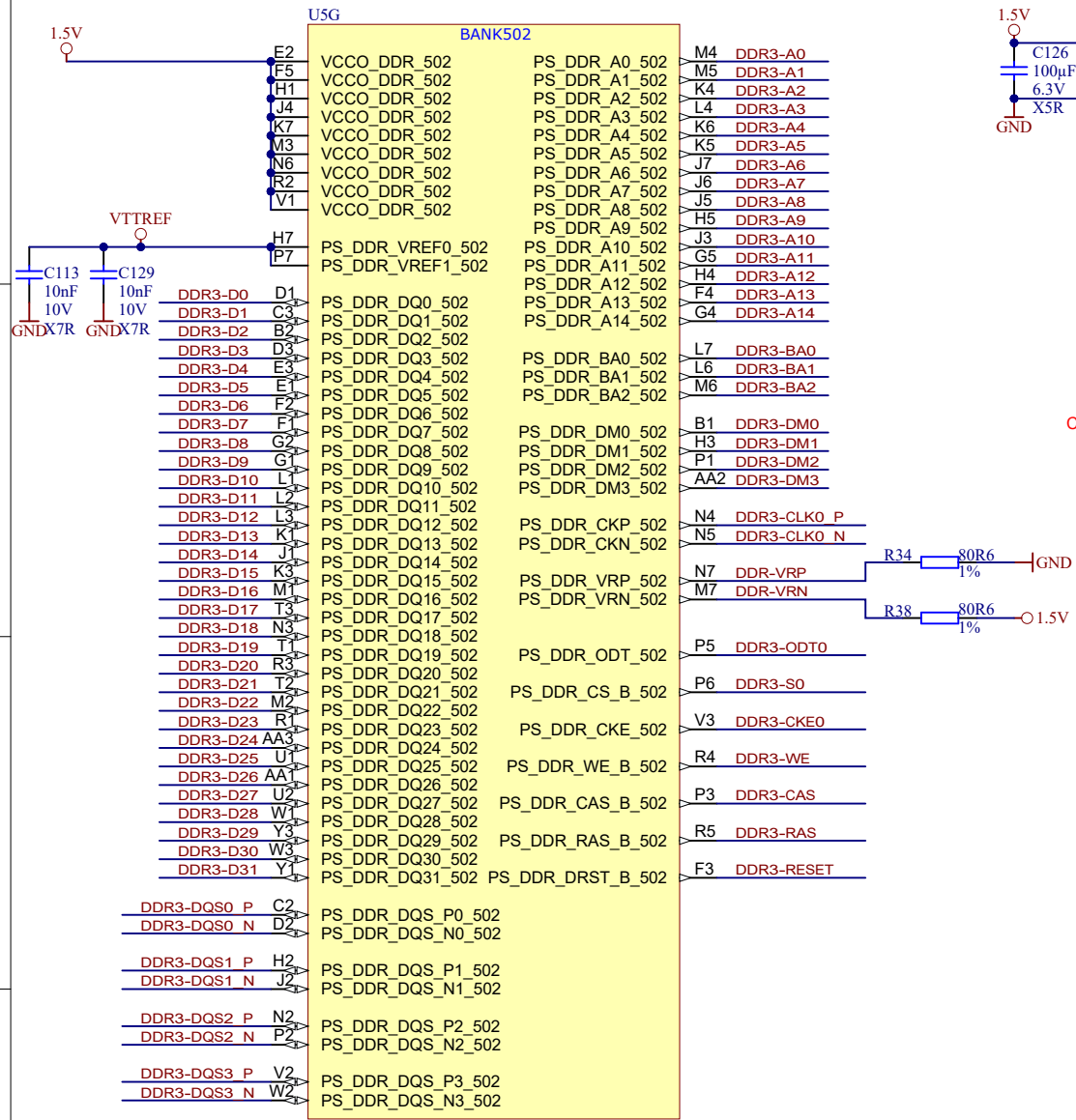
	Title: GigaZee - USB		
	A4	Number: TE0720 61Q86PL	Rev. 03
	Date: 2015-10-12	Copyright: 2013 Trenz Electronic GmbH	
	Page 10 of 15		
Filename: USB-PHY.SchDoc			



Title: GigaZee - eNAND		
A4	Number: TE0720 61Q86PL	Rev. 03
Date: 2015-10-12	Copyright: 2013 Trenz Electronic GmbH	Page 11 of 15
Filename: eMMC.SchDoc		



			Title: GigaZee - RTC, MEMS, SHA, MAC	
			A4	Number: TE0720 61Q86PL
Date: 2015-10-12		Copyright: 2013 Trenz Electronic GmbH		Page 12 of 15
Filename: SENSOR-RTC.SchDoc				



XA7Z020-1CLG484Q

trenz electronic

Title: GigaZee - B502

A4	Number: TE0720 61Q86PL	Rev. 03
Date: 2015-10-12	Copyright: 2013 Trenz Electronic GmbH	Page13 of 15
Filename: PS-DDR.SchDoc		

A

A

B

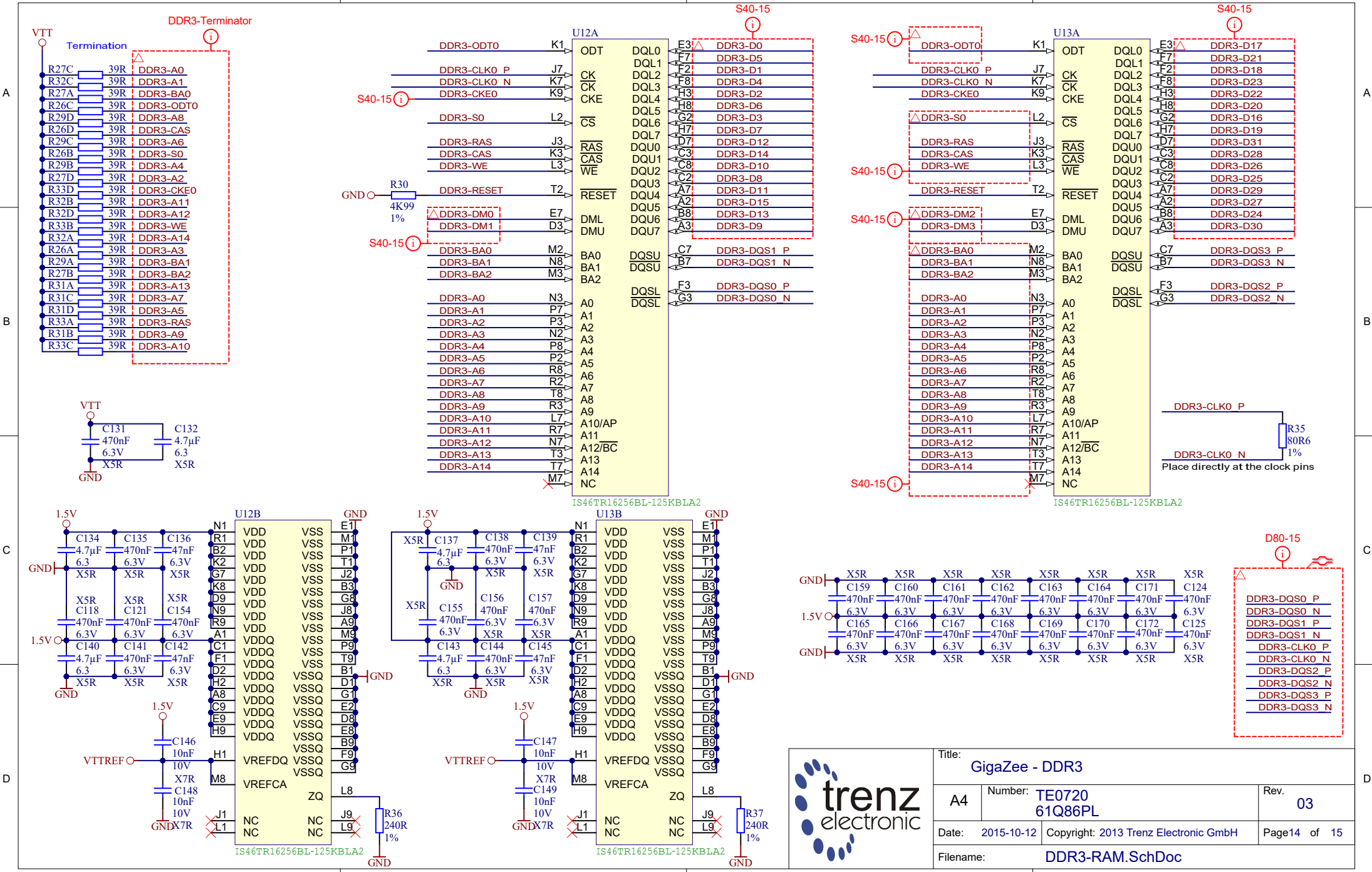
B

C

C

D

D



Title: GigaZee - DDR3		
A4	Number: TE0720 61Q86PL	Rev. 03
Date: 2015-10-12	Copyright: 2013 Trenz Electronic GmbH	Page 14 of 15
Filename: DDR3-RAM.SchDoc		

A

A

B

B

C

C

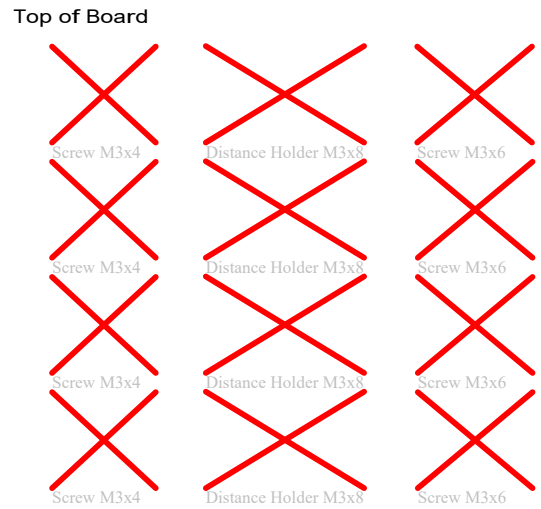
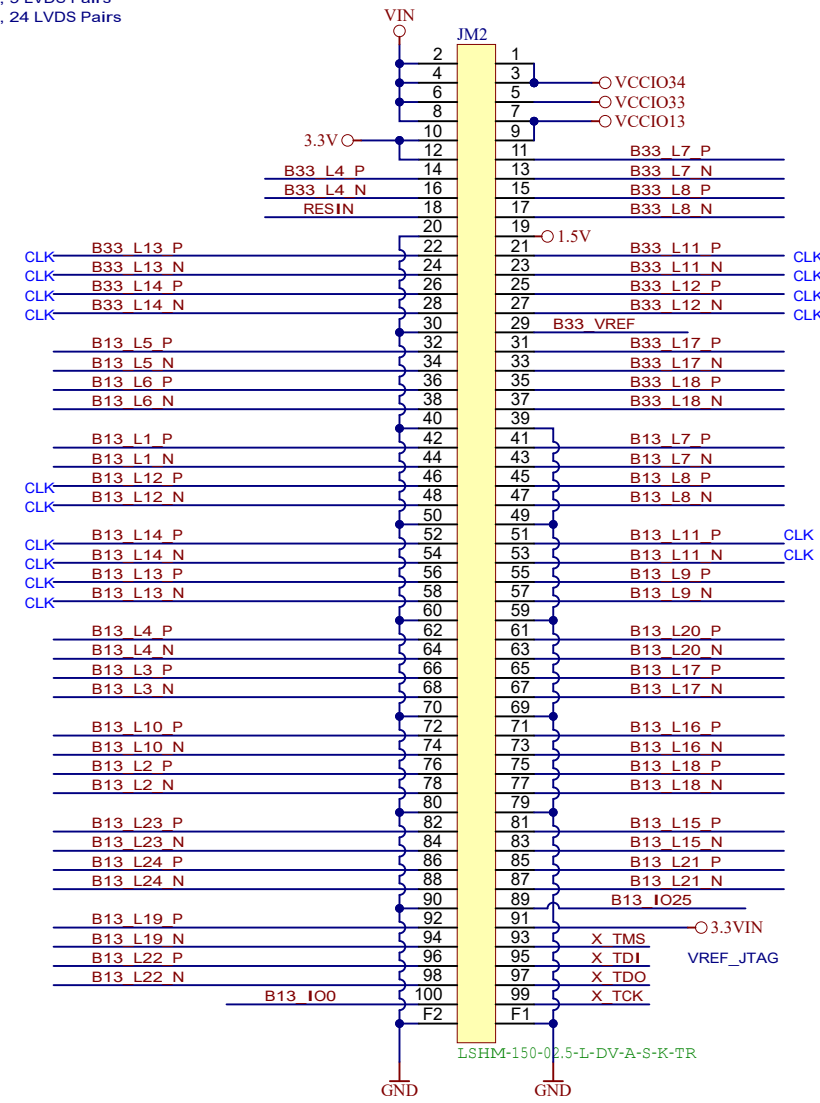
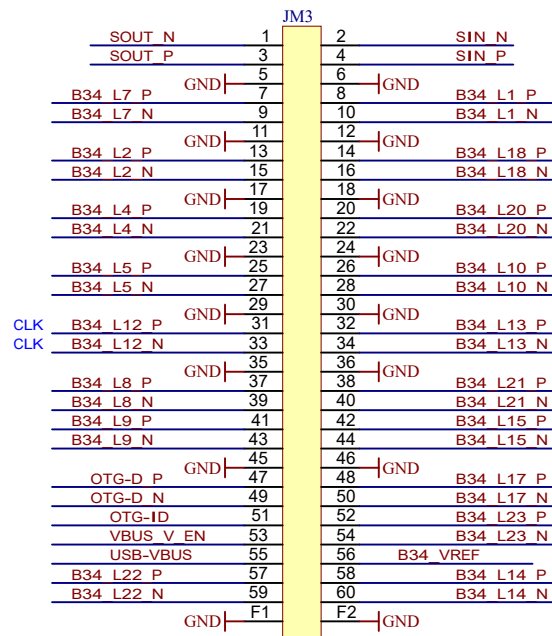
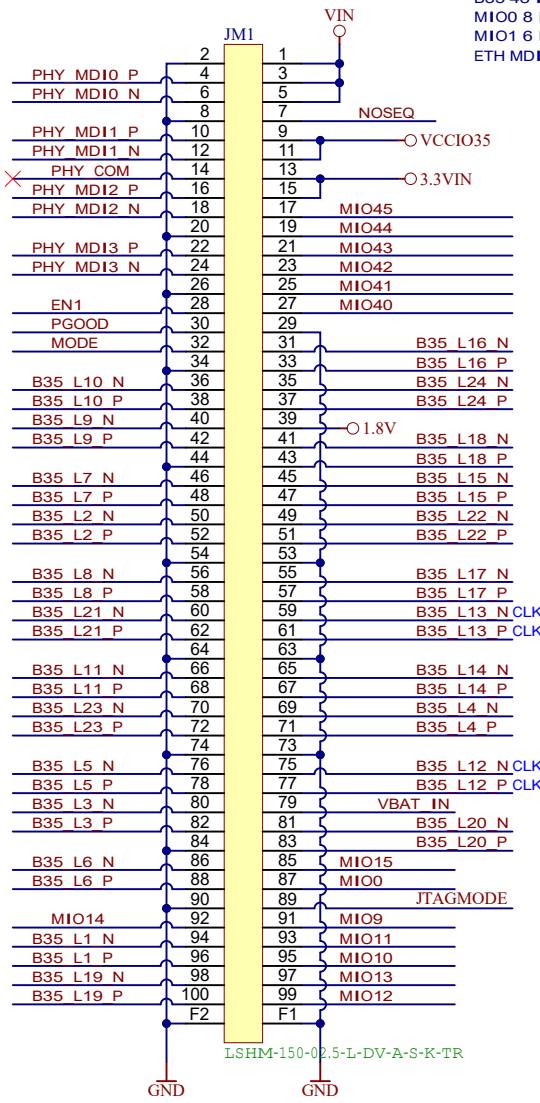
D

D

B35 48 IO, 24 LVDS Pairs
 MIO0 8 IO, 3.3V
 MIO1 6 IO 1.8V
 ETH MDI Copper

B34 36 IO, 18 LVDS Pairs
 USB OTG
 ETH SGMII

B33 18 IO, 9 LVDS Pairs
 B13 48 IO, 24 LVDS Pairs
 B13 2 IO



LSHM-150-02.5-L-DV-A-S-K-TR

LSHM-130-02.5-L-DV-A-S-K-TR

LSHM-150-02.5-L-DV-A-S-K-TR



Title: GigaZee - B2B Connector		
A4	Number: TE0720 61Q86PL	Rev. 03
Date: 2015-10-12	Copyright: 2013 Trenz Electronic GmbH	Page 15 of 15
Filename: B2B-Connectors.SchDoc		