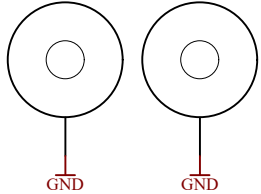
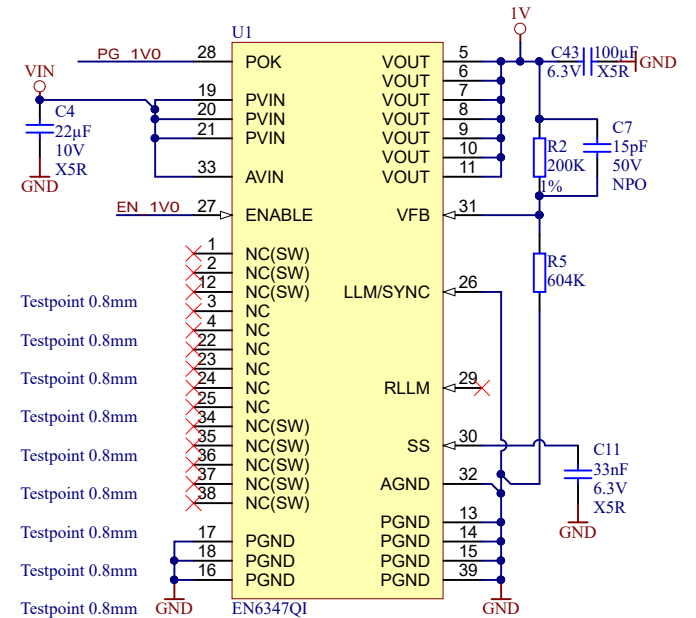
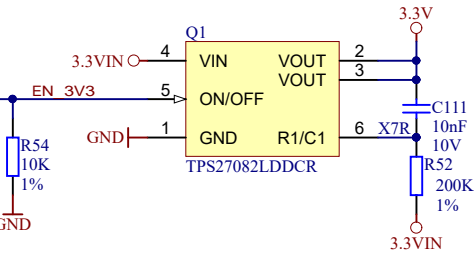
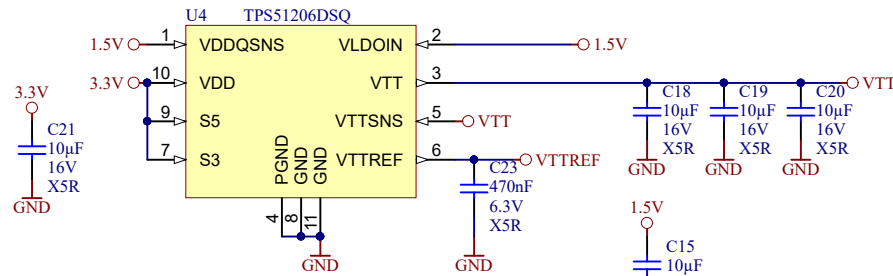
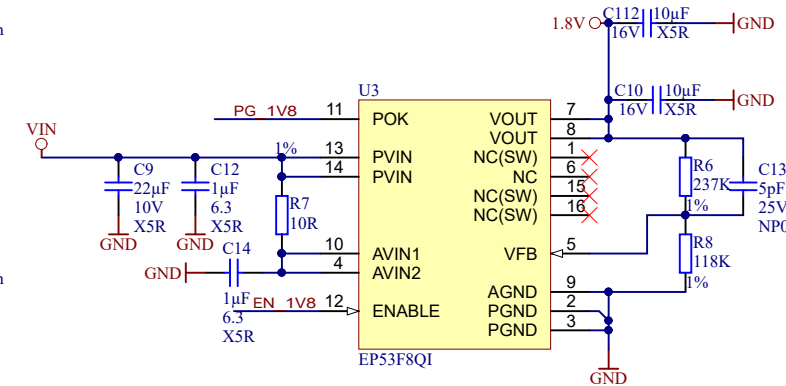
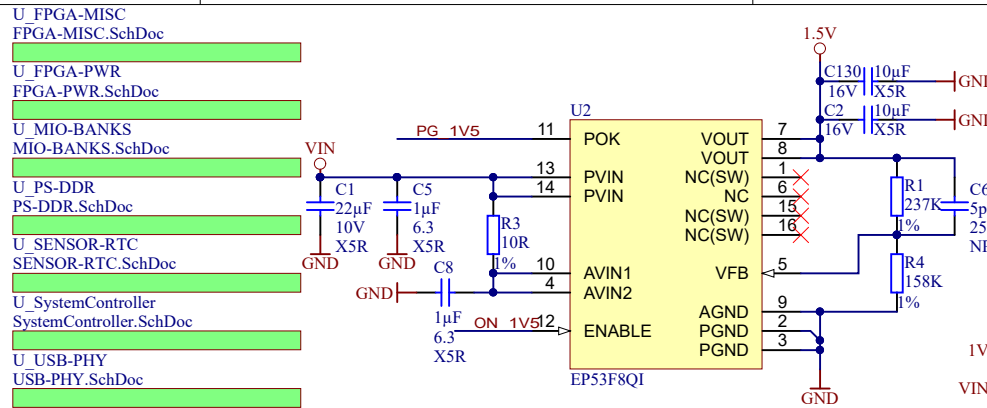
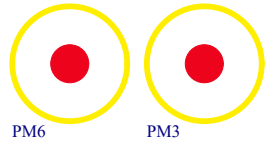
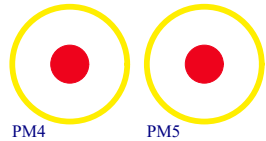
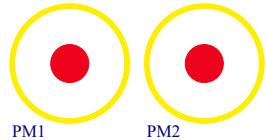
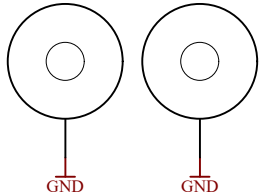


U_B2B-Connectors	U_FPGA-MISC
B2B-Connectors.SchDoc	FPGA-MISC.SchDoc
U_B13	U_FPGA-PWR
B13.SchDoc	FPGA-PWR.SchDoc
U_B33-B34	U_MIO-BANKS
B33-B34.SchDoc	MIO-BANKS.SchDoc
U_B35	U_PS-DDR
B35.SchDoc	PS-DDR.SchDoc
U_DDR3-RAM	U_SENSOR-RTC
DDR3-RAM.SchDoc	SENSOR-RTC.SchDoc
U_eMMC	U_SystemController
eMMC.SchDoc	SystemController.SchDoc
U_ETH-PHY	U_USB-PHY
ETH-PHY.SchDoc	USB-PHY.SchDoc

Mount.Hole 3.2mmMount.Hole 3.2mm

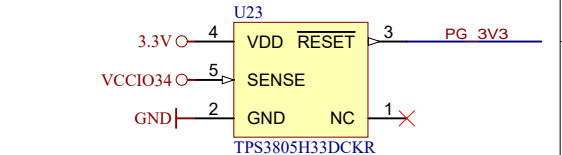
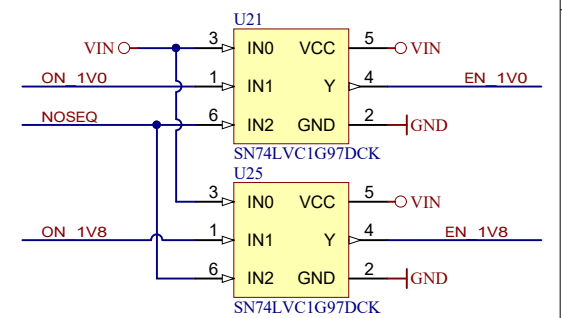


Mount.Hole 3.2mmMount.Hole 3.2mm



- 1V TP1 Testpoint 0.8mm
- VIN TP2 Testpoint 0.8mm
- 1.5V TP3 Testpoint 0.8mm
- 1.8V TP4 Testpoint 0.8mm
- VTT TP5 Testpoint 0.8mm
- VTTREF TP6 Testpoint 0.8mm
- 3.3V IN TP7 Testpoint 0.8mm
- VCCIO13 TP9 Testpoint 0.8mm
- VCCIO33 TP10 Testpoint 0.8mm
- VCCIO34 TP11 Testpoint 0.8mm
- VCCIO35 TP12 Testpoint 0.8mm
- AVCC TP13 Testpoint 0.8mm
- AVREF TP14 Testpoint 0.8mm
- AGND TP15 Testpoint 0.8mm
- GND TP16 Testpoint 0.8mm
- GND TP17 Testpoint 0.8mm
- GND TP18 Testpoint 0.8mm
- GND TP19 Testpoint 0.8mm
- GND TP20 Testpoint 0.8mm

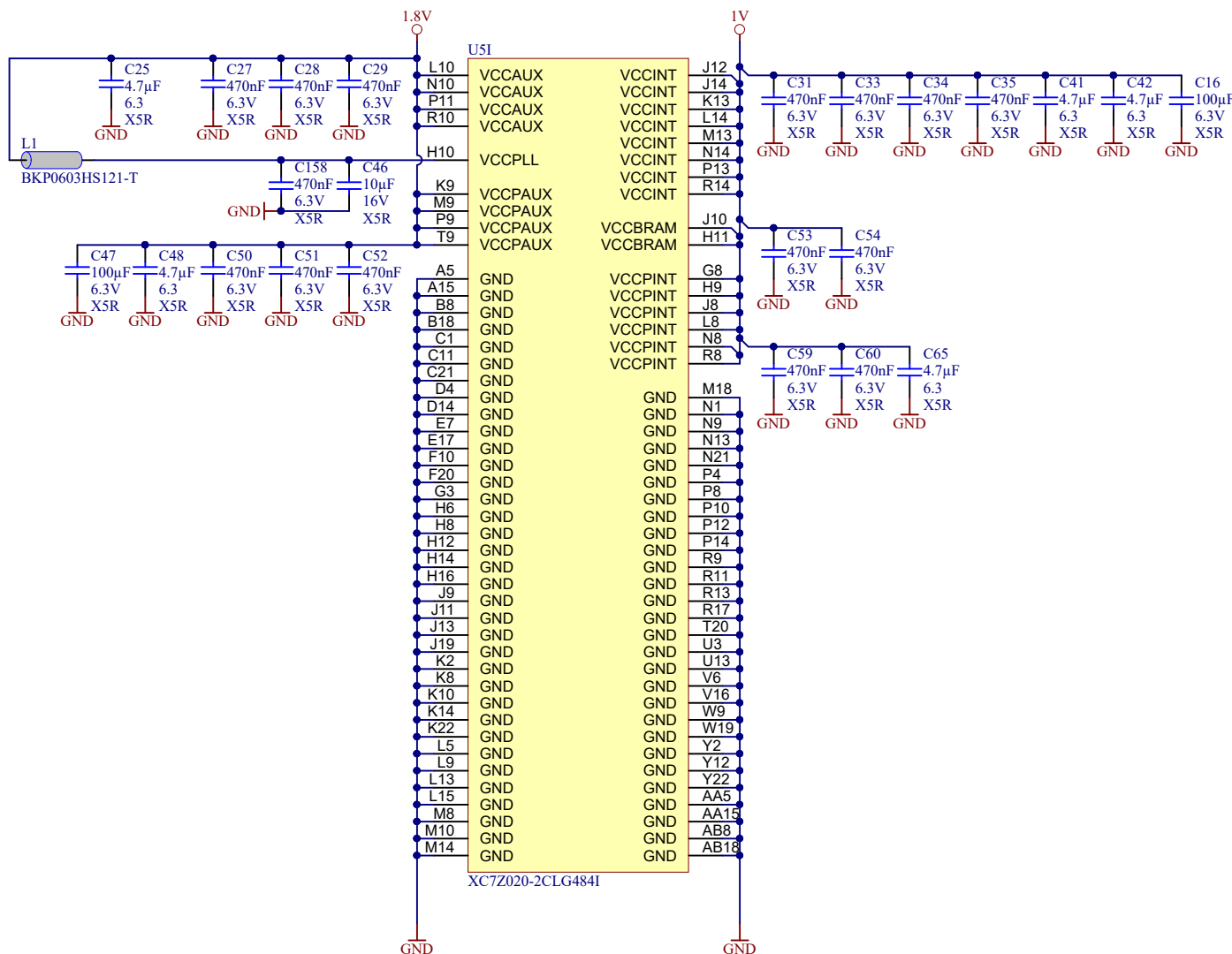
Serial
Serial
SerialNumber 6,3 x 6,3mm




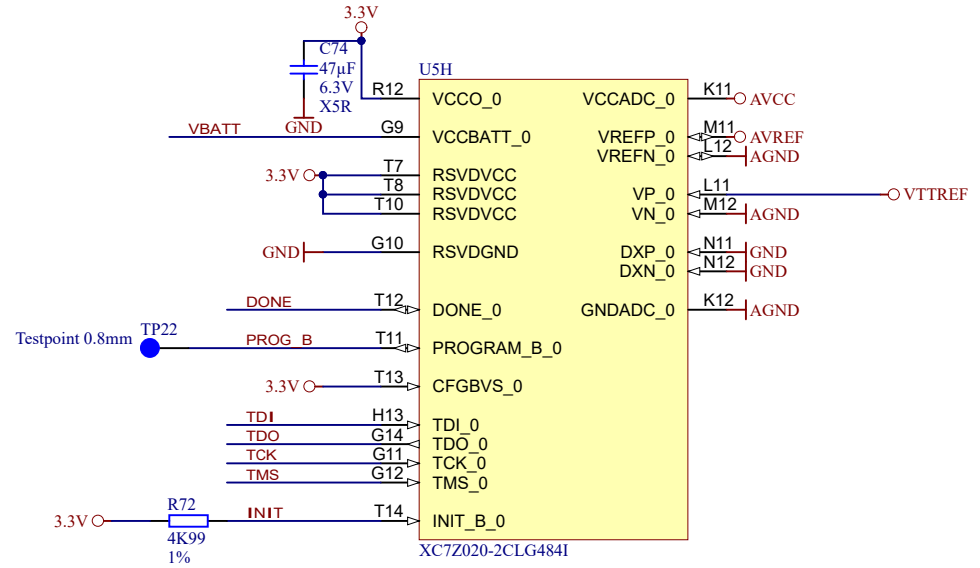
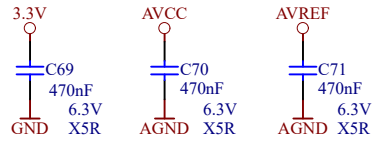
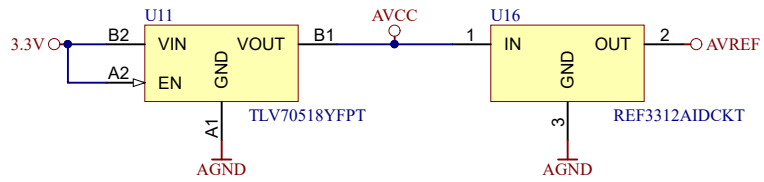
Assembly variant	62I320M
Created by	VY
Modified by	VY
Modified at	2020-11-19
SVN Revision	9068



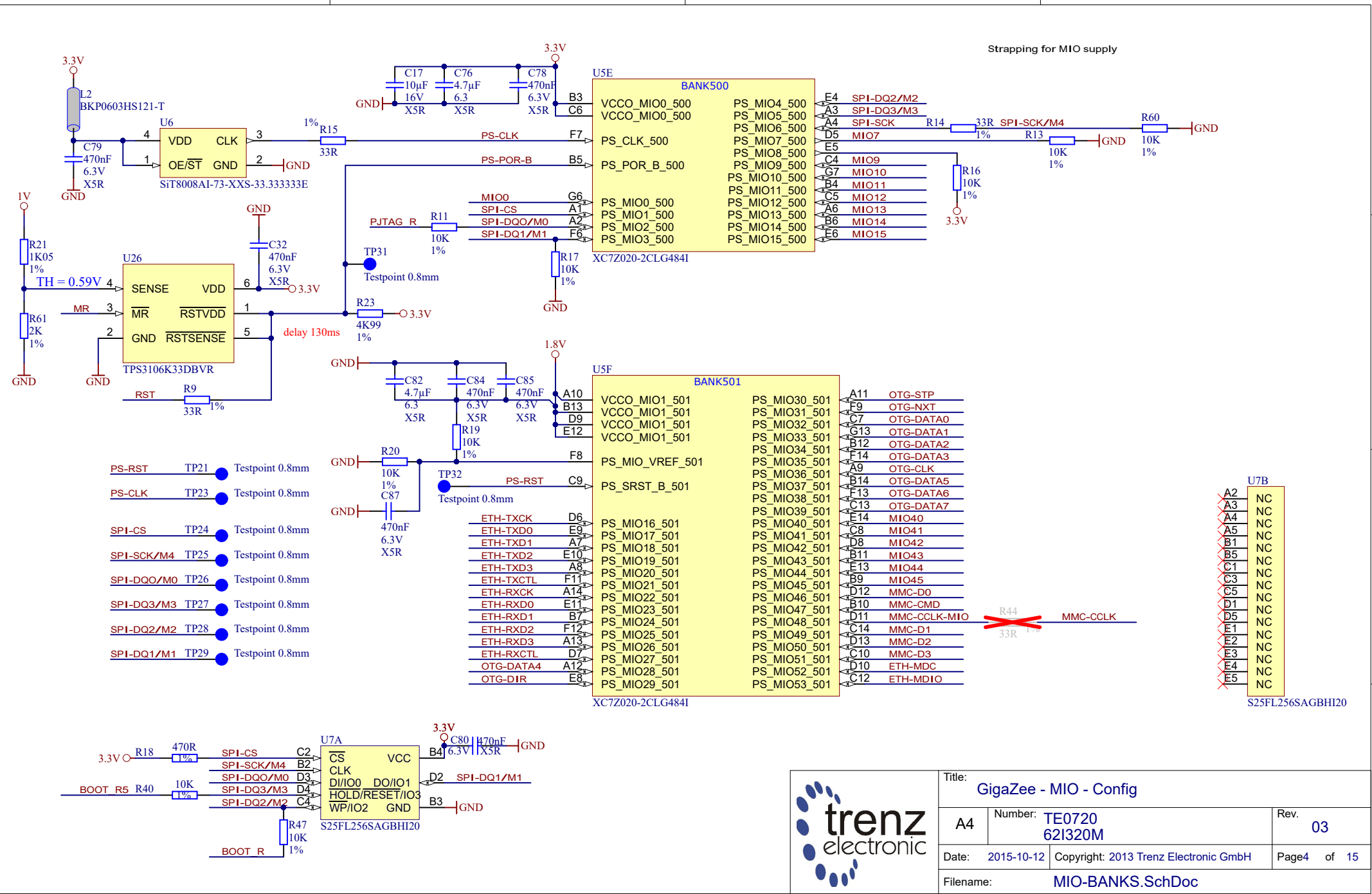
Title: GigaZee - Power		
A4	Number: TE0720 62I320M	Rev. 03
Date: 2015-10-12	Copyright: 2013 Trenz Electronic GmbH	Page 1 of 15
Drawn by: *	Filename: TE0720.SchDoc	



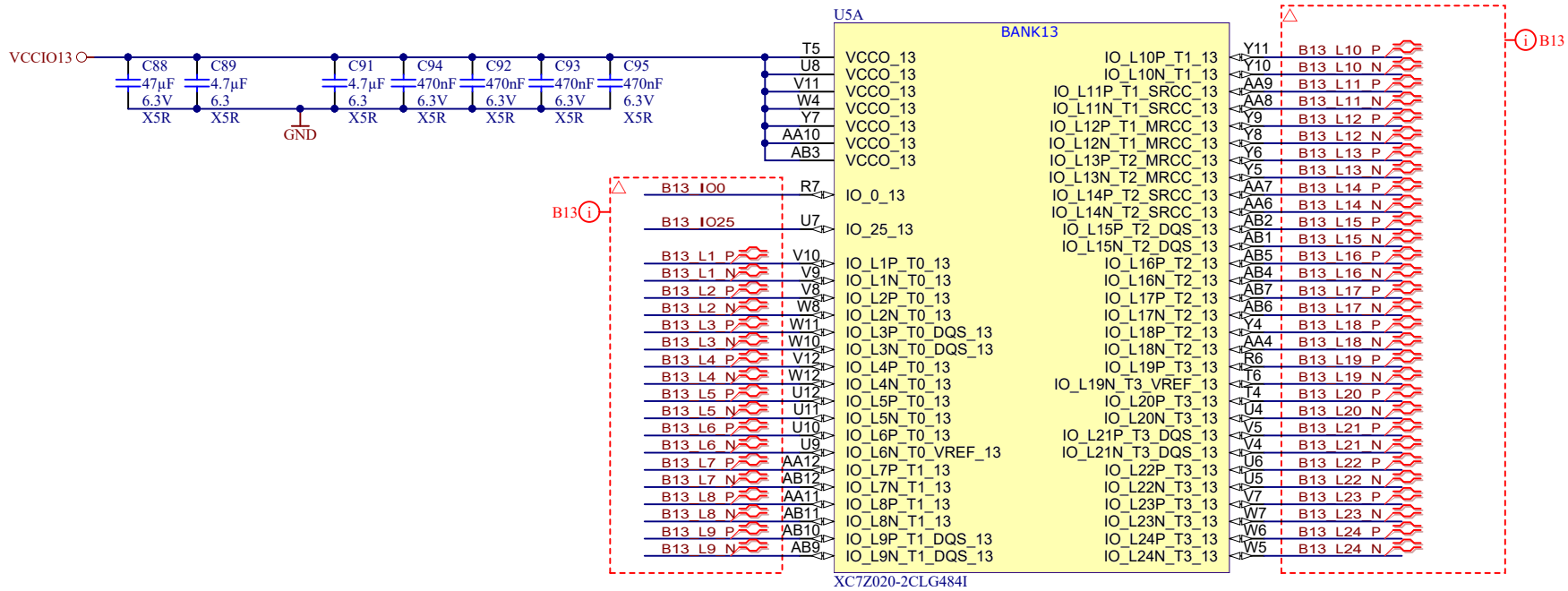
		Title: GigaZee - FPGA Power	
		A4	Number: TE0720 621320M
Date: 2015-10-12		Copyright: 2013 Trenz Electronic GmbH	
Page 2		of 15	
Filename: FPGA-PWR.SchDoc			



		Title: GigaZee - B0	
		A4	Number: TE0720 62I320M
Date: 2015-10-12		Copyright: 2013 Trenz Electronic GmbH	
Page 3		of 15	
Filename: FPGA-MISC.SchDoc			



Title: GigaZee - MIO - Config		
A4	Number: TE0720 621320M	Rev. 03
Date: 2015-10-12	Copyright: 2013 Trenz Electronic GmbH	Page4 of 15
Filename: MIO-BANKS.SchDoc		



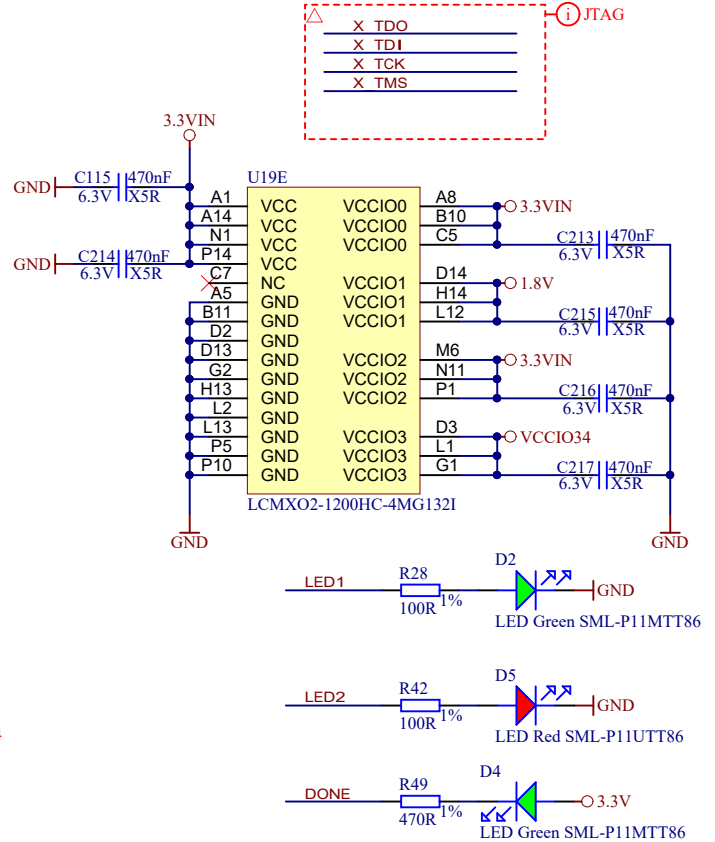
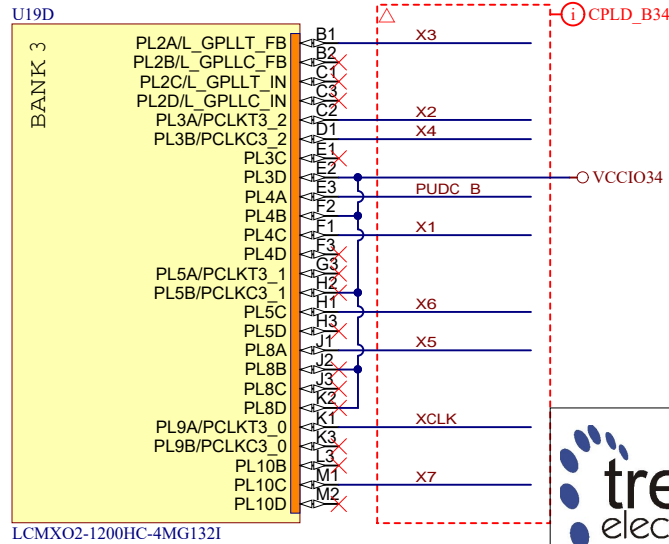
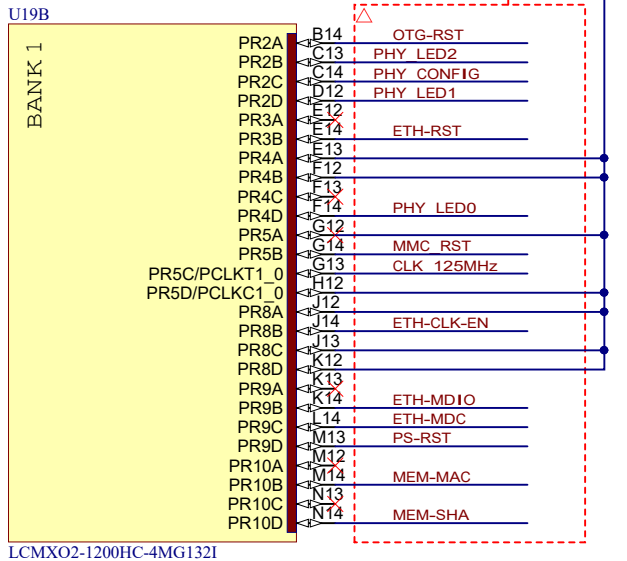
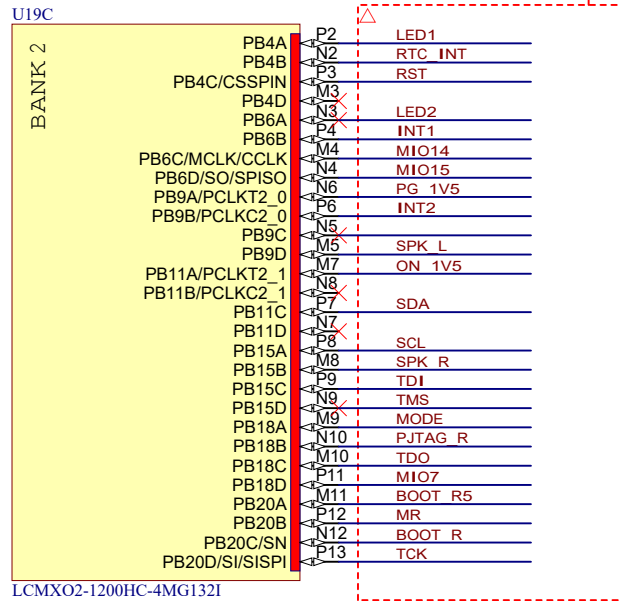
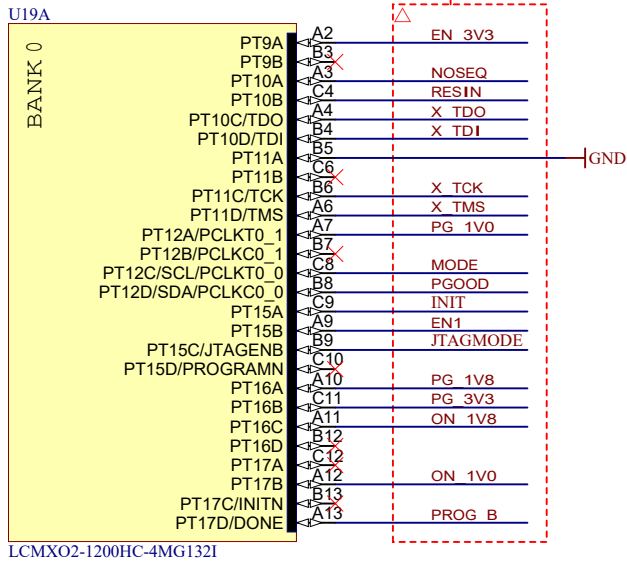
U5A

BANK13

XC7Z020-2CLG484I



Title: GigaZee - B13		
A4	Number: TE0720 62I320M	Rev. 03
Date: 2015-10-12	Copyright: 2013 Trenz Electronic GmbH	Page5 of 15
Filename: B13.SchDoc		



Title: GigaZee - System Controller		
A4	Number: TE0720 62I320M	Rev. 03
Date: 2015-10-12	Copyright: 2013 Trenz Electronic GmbH	Page6 of 15
Filename: SystemController.SchDoc		

A

B

C

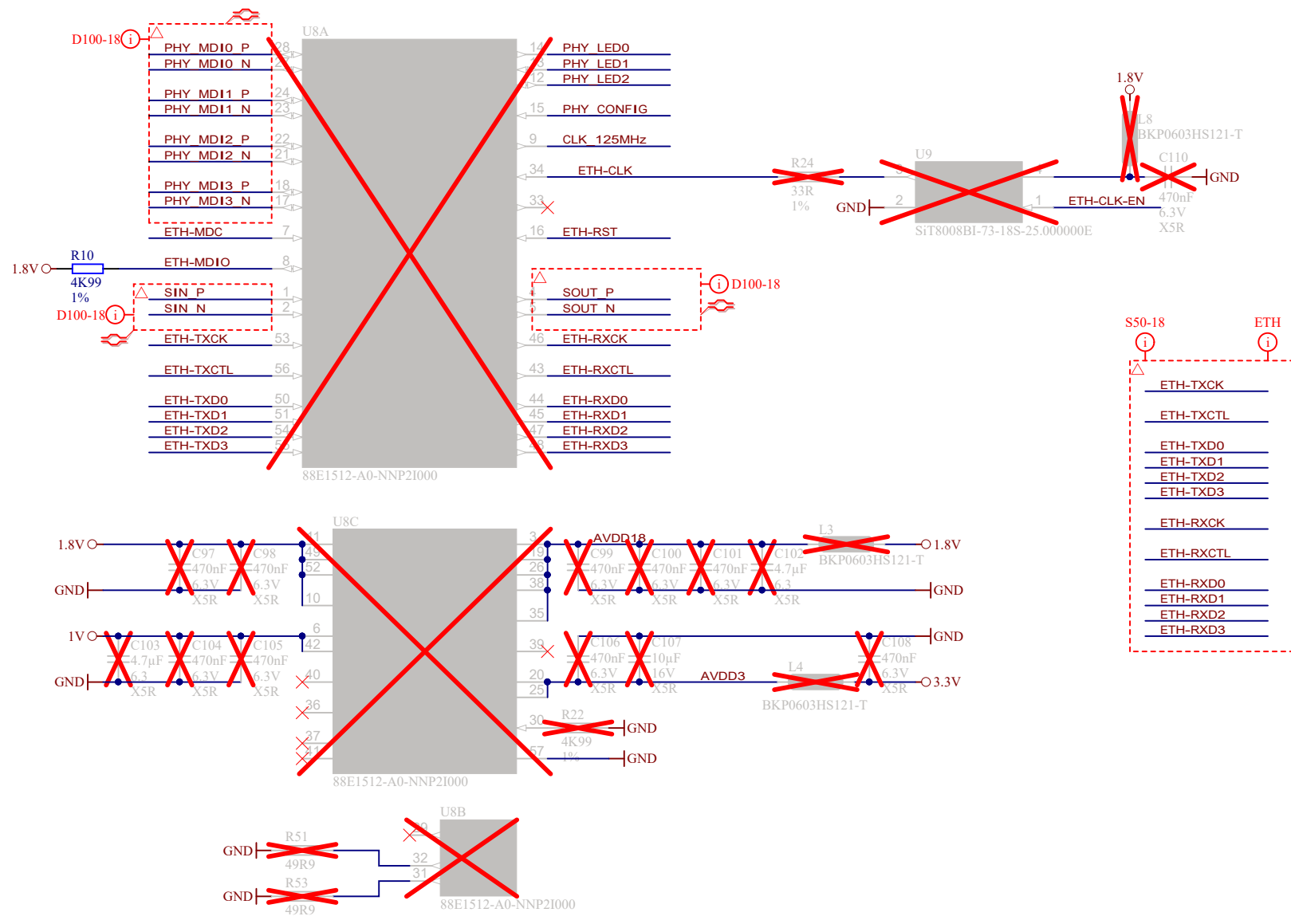
D


A

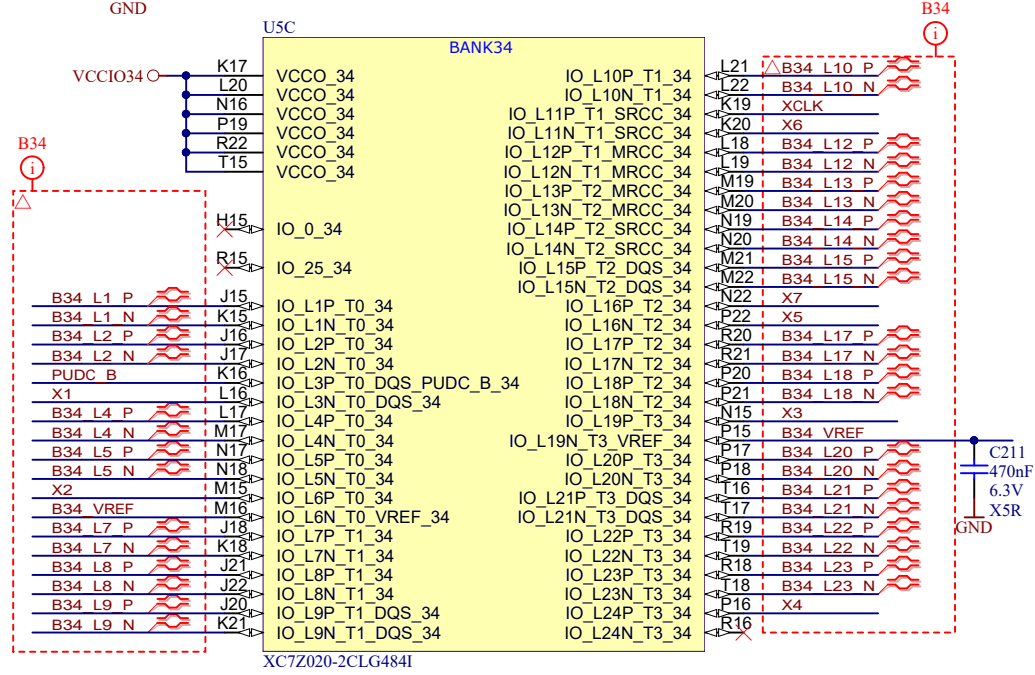
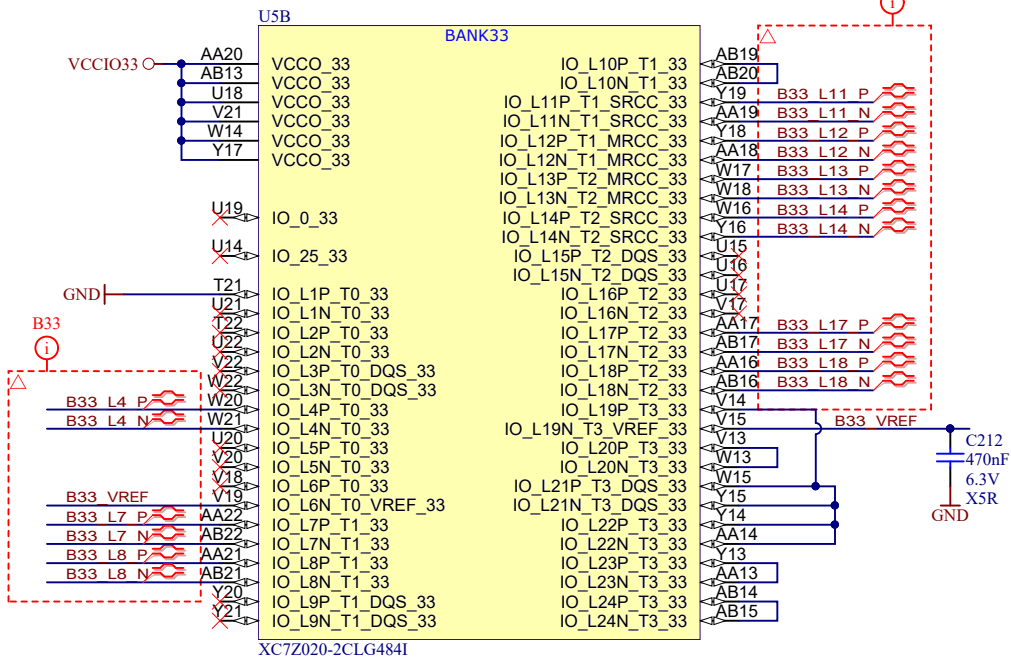
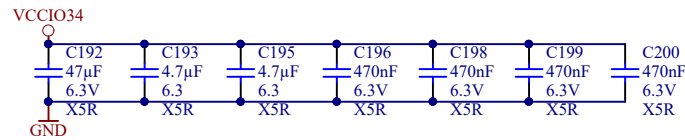
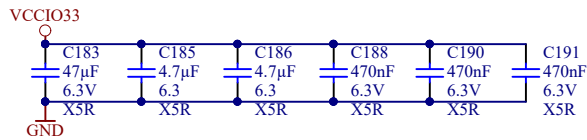
B

C

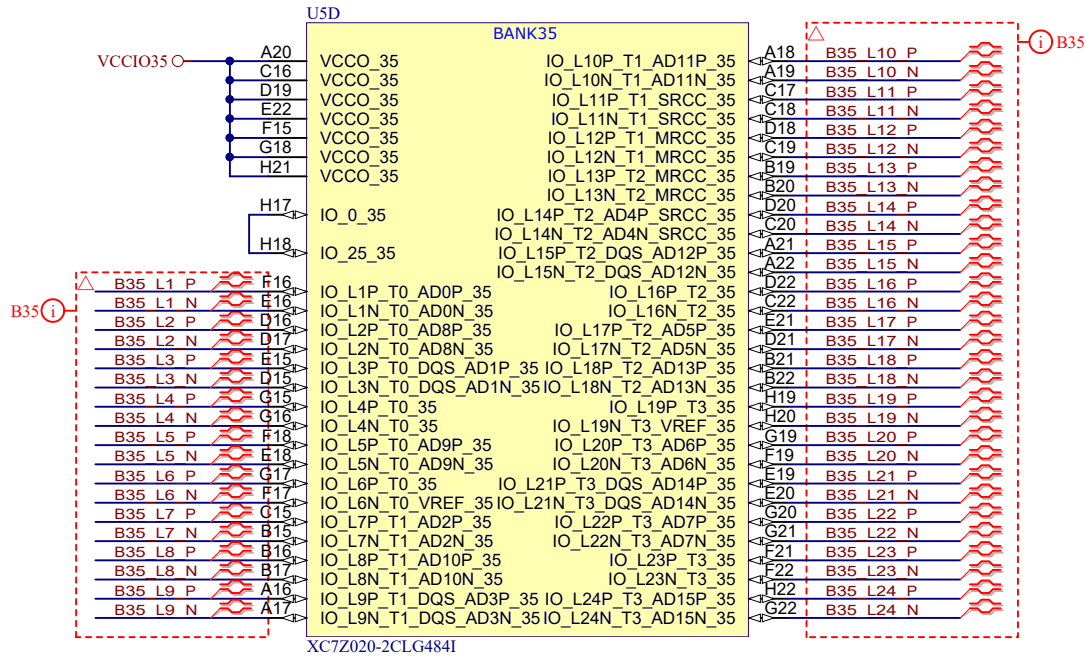
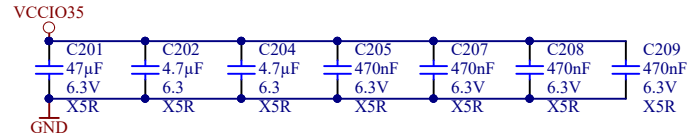
D



			Title: GigaZee - Ethernet	
			A4	Number: TE0720 621320M
Date: 2015-10-12		Copyright: 2013 Trenz Electronic GmbH		Page 7 of 15
Filename: ETH-PHY.SchDoc				



Title: GigaZee - B33 - B34		
A4	Number: TE0720 62I320M	Rev. 03
Date: 2015-10-12	Copyright: 2013 Trenz Electronic GmbH	Page8 of 15
Filename: B33-B34.SchDoc		



XC7Z020-2CLG484I



Title: GigaZee - B35		
A4	Number: TE0720 62I320M	Rev. 03
Date: 2015-10-12	Copyright: 2013 Trenz Electronic GmbH	Page9 of 15
Filename: B35.SchDoc		

1

2

3

4

A

A

B

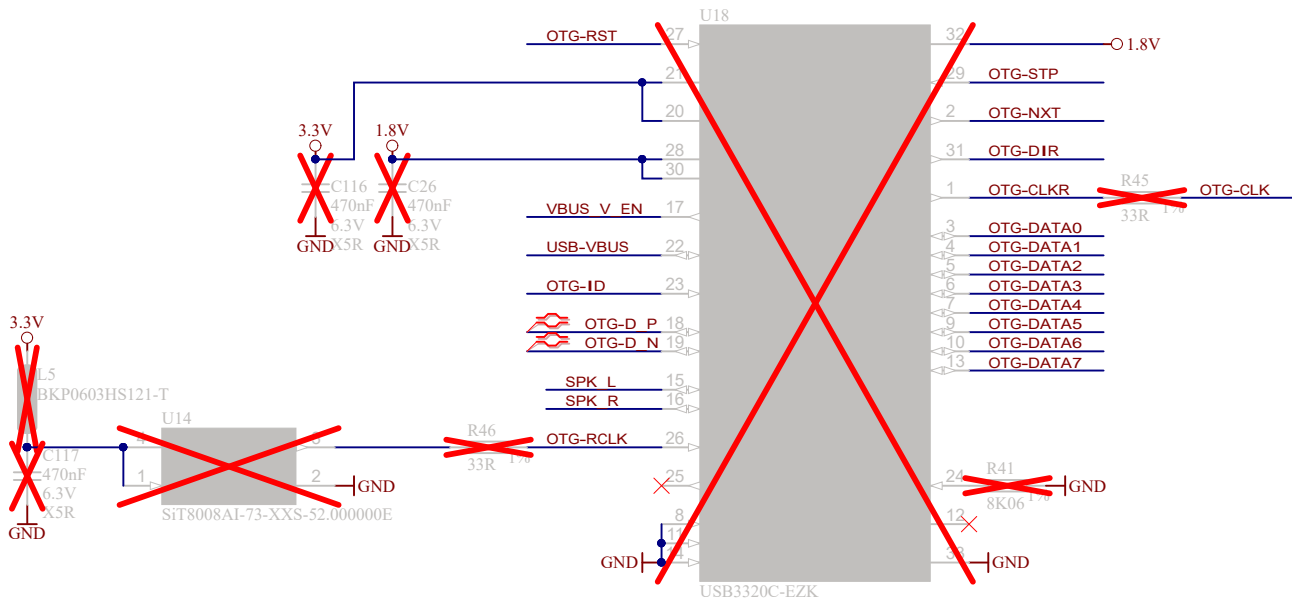
B

C

C

D

D



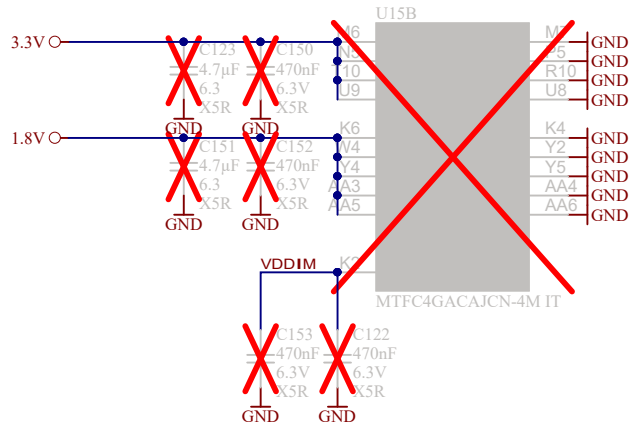
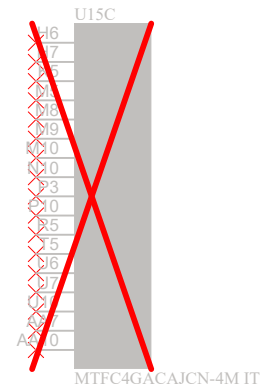
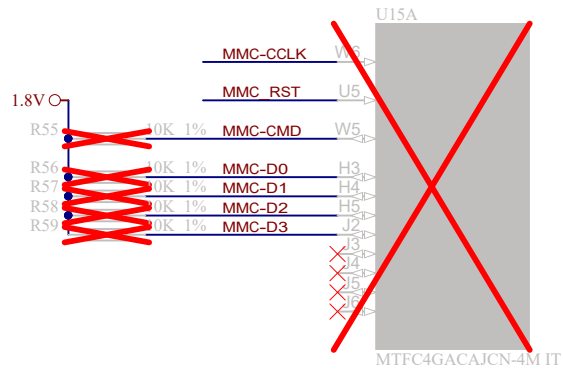
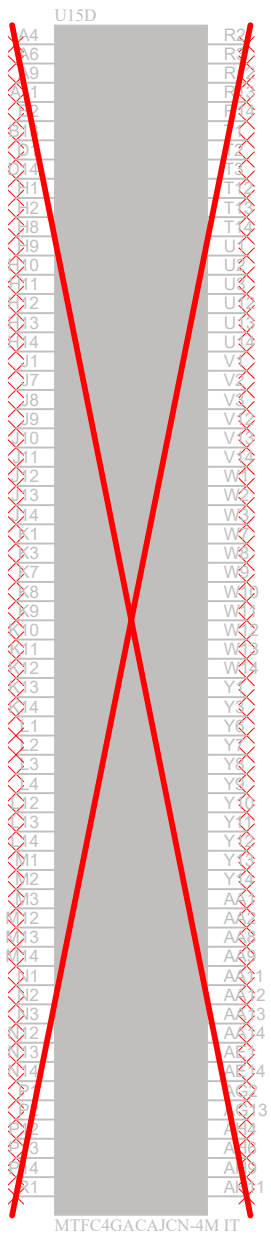
	Title: GigaZee - USB		
	A4	Number: TE0720 62I320M	Rev. 03
	Date: 2015-10-12	Copyright: 2013 Trenz Electronic GmbH	Page 10 of 15
	Filename: USB-PHY.SchDoc		

1

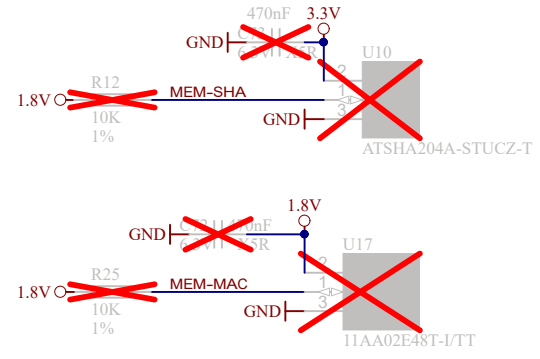
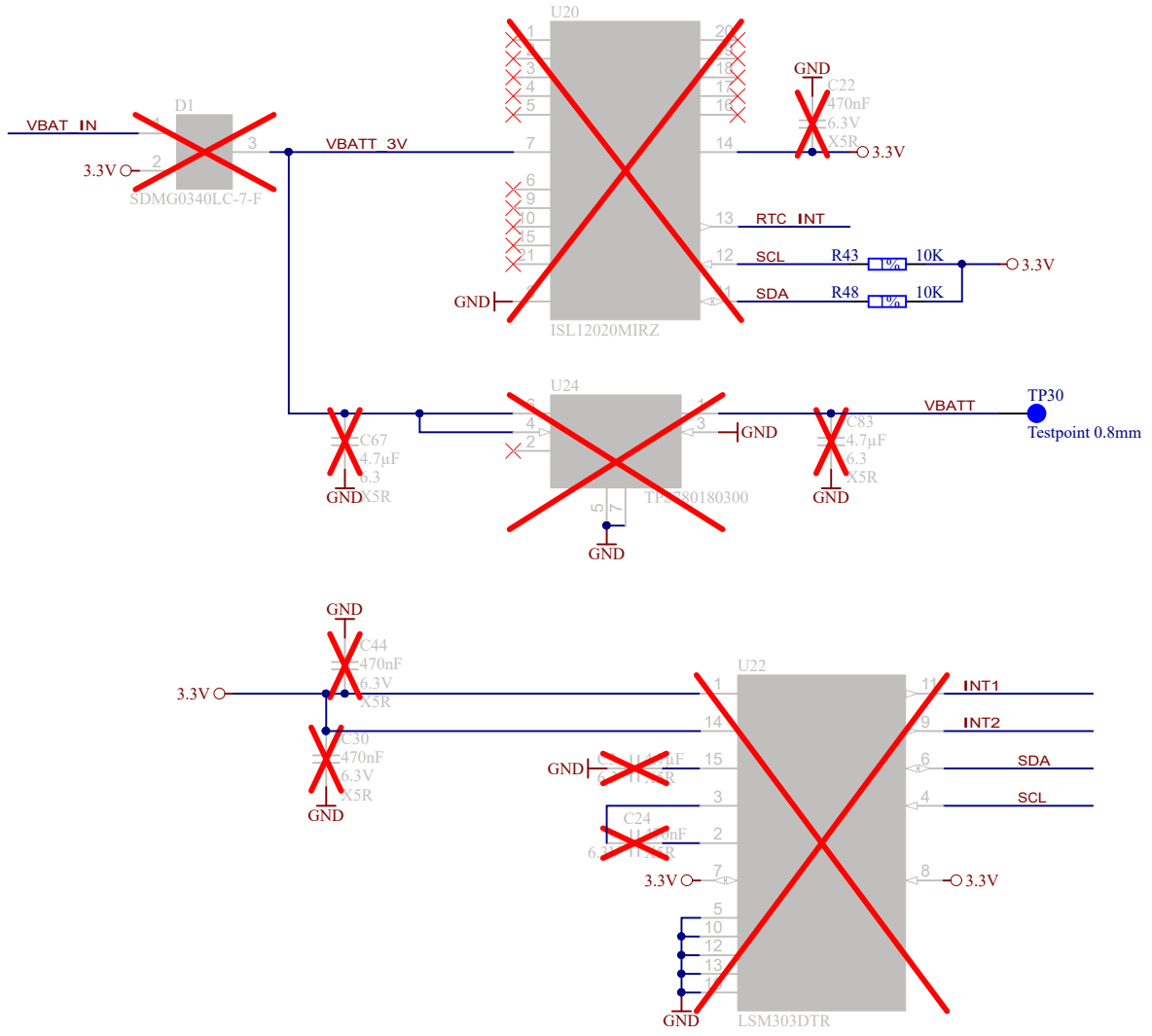
2


3

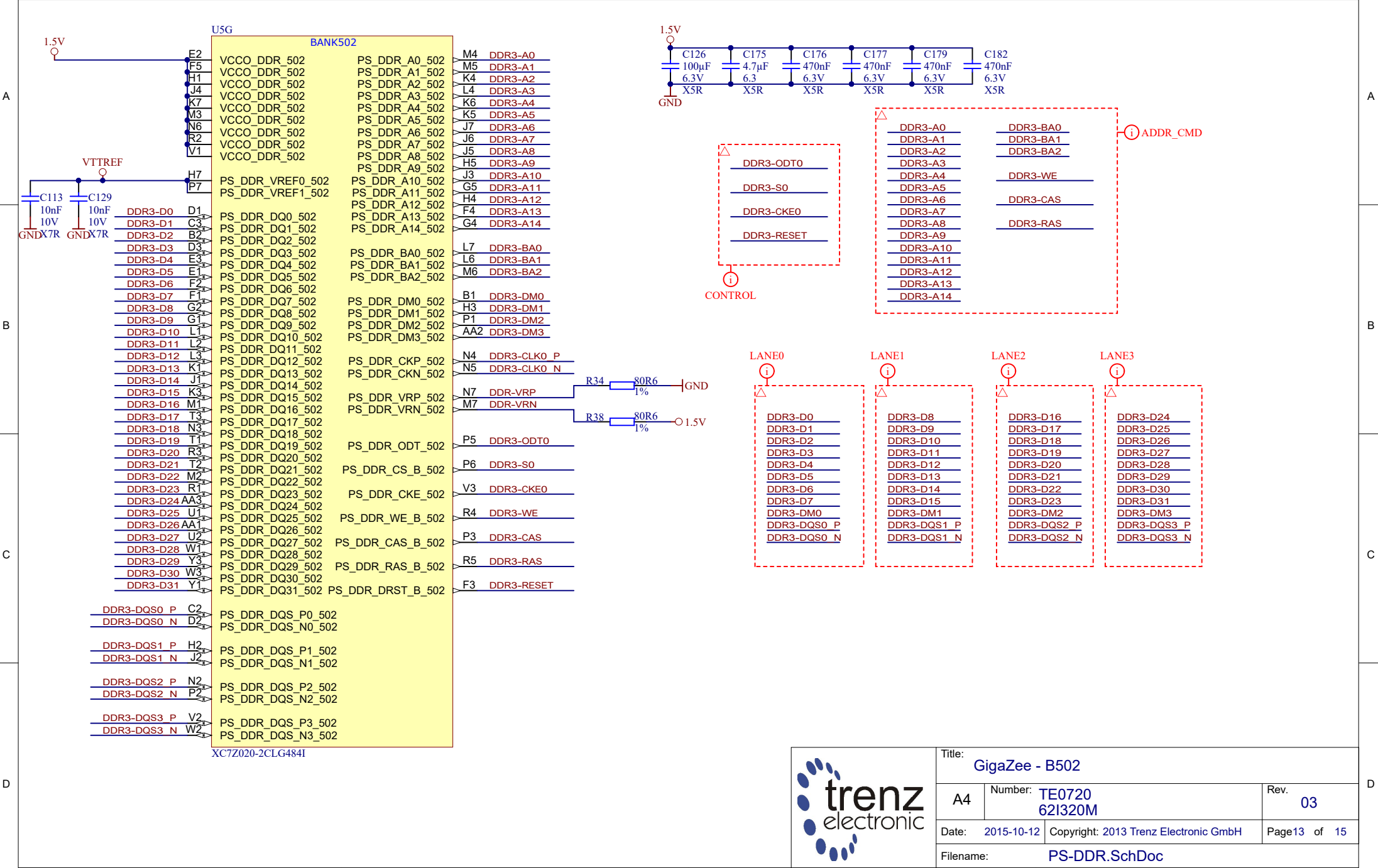
4



Title: GigaZee - eNAND		
A4	Number: TE0720 62I320M	Rev. 03
Date: 2015-10-12	Copyright: 2013 Trenz Electronic GmbH	Page 11 of 15
Filename: eMMC.SchDoc		

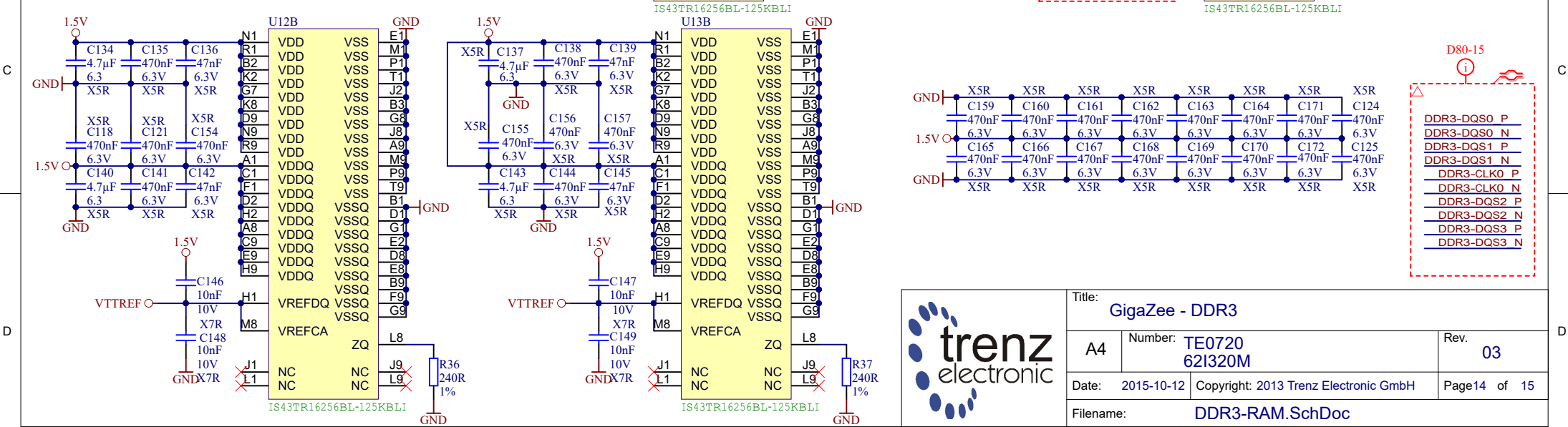
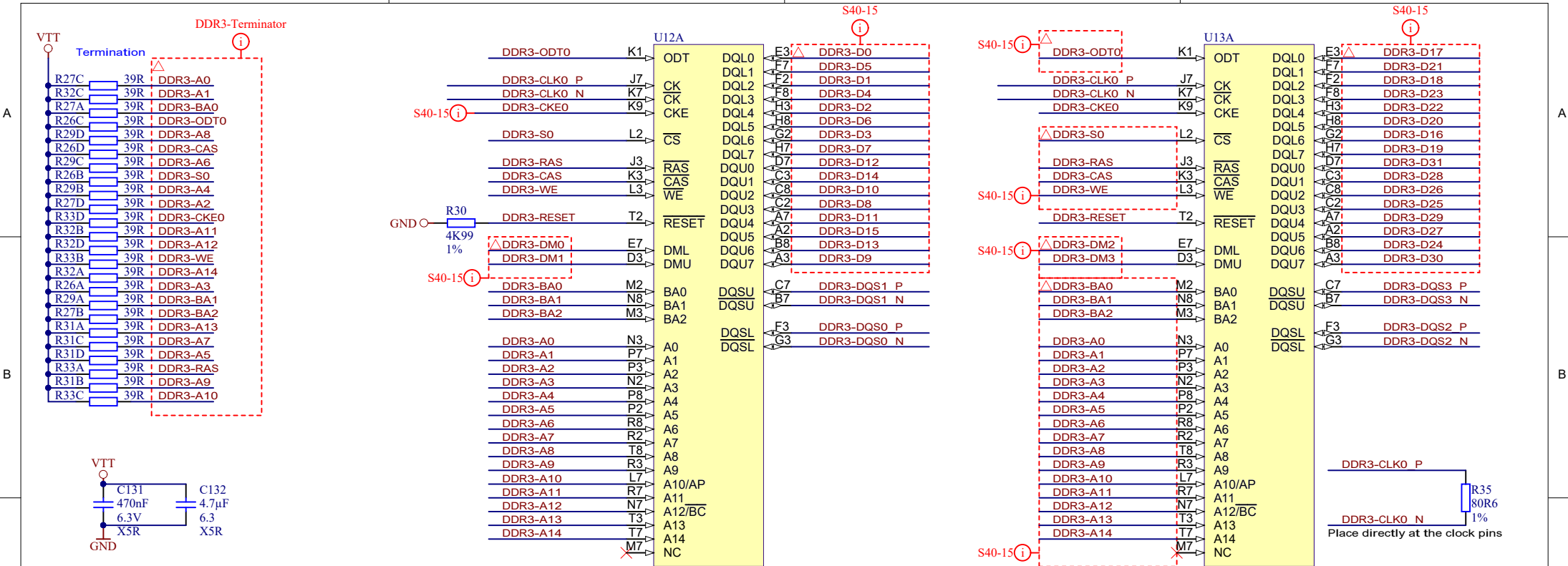


	Title: GigaZee - RTC, MEMS, SHA, MAC		
	A4	Number: TE0720 621320M	Rev. 03
	Date: 2015-10-12	Copyright: 2013 Trenz Electronic GmbH	Page 12 of 15
	Filename: SENSOR-RTC.SchDoc		



XC7Z020-2CLG484I

			Title: GigaZee - B502	
			A4	Number: TE0720 62I320M
Date: 2015-10-12		Copyright: 2013 Trenz Electronic GmbH		Page13 of 15
Filename: PS-DDR.SchDoc				

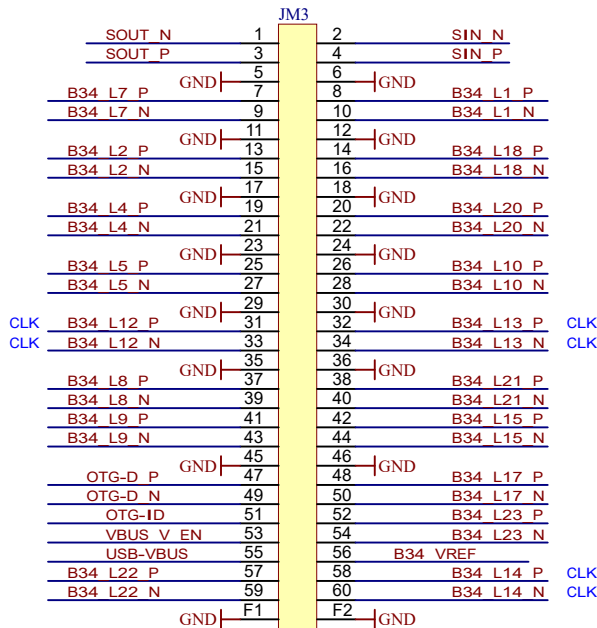
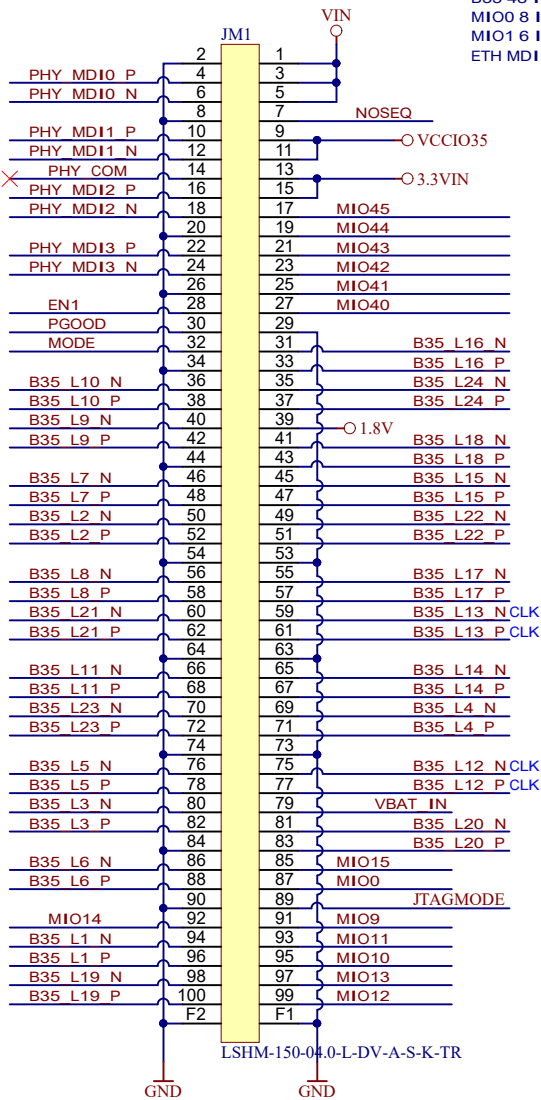


Title: GigaZee - DDR3		
A4	Number: TE0720 621320M	Rev. 03
Date: 2015-10-12	Copyright: 2013 Trenz Electronic GmbH	Page 14 of 15
Filename: DDR3-RAM.SchDoc		

B35 48 IO, 24 LVDS Pairs
 MIO0 8 IO, 3.3V
 MIO1 6 IO 1.8V
 ETH MD1 Copper

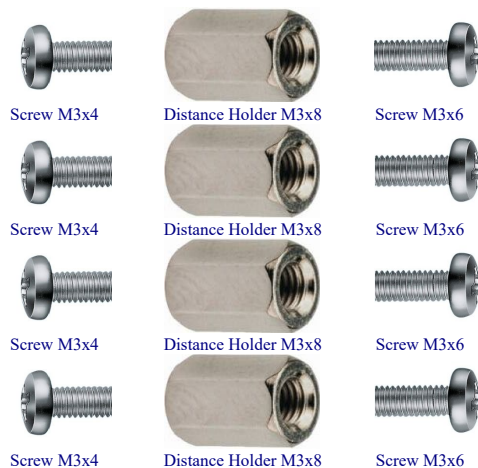
B34 36 IO, 18 LVDS Pairs
 USB OTG
 ETH SGMII

B33 18 IO, 9 LVDS Pairs
 B13 48 IO, 24 LVDS Pairs
 B13 2 IO



LSHM-130-04.0-L-DV-A-S-K-TR

Top of Board



Screw M3x4

Distance Holder M3x8

Screw M3x6

Screw M3x4

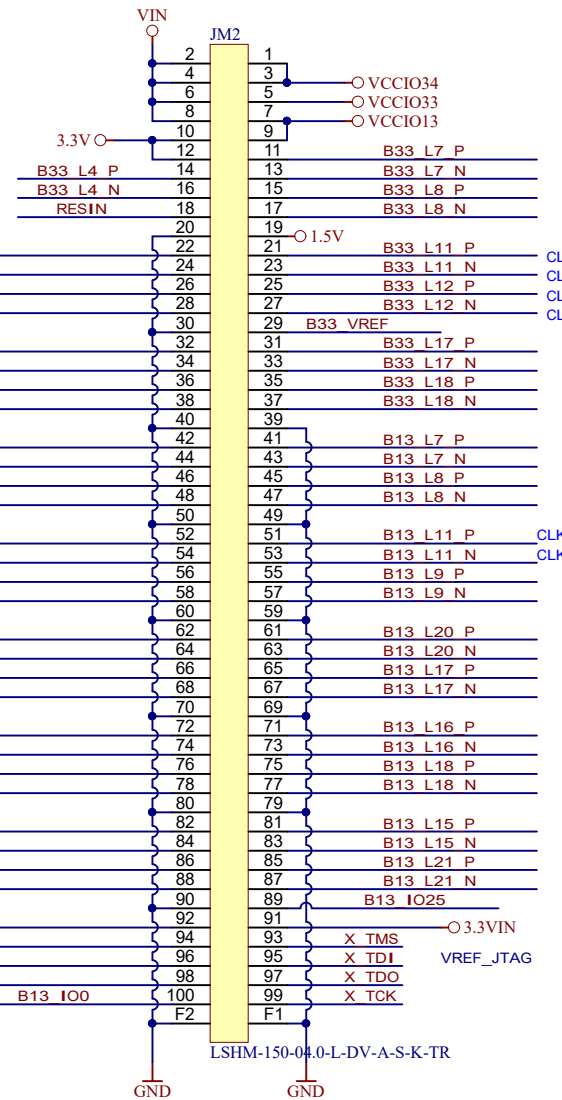
Distance Holder M3x8

Screw M3x6

Screw M3x4

Distance Holder M3x8

Screw M3x6



LSHM-150-04.0-L-DV-A-S-K-TR



Title: GigaZee - B2B Connector		
A4	Number: TE0720 621320M	Rev. 03
Date: 2015-10-12	Copyright: 2013 Trenz Electronic GmbH	Page 15 of 15
Filename: B2B-Connectors.SchDoc		