

U_B2B-Connectors
B2B-Connectors.SchDoc
U_B13
B13.SchDoc
U_B33-B34
B33-B34.SchDoc
U_B35
B35.SchDoc
U_DDR3-RAM
DDR3-RAM.SchDoc
U_eMMC
eMMC.SchDoc
U_ETH-PHY
ETH-PHY.SchDoc
U_FPGA-MISC
FPGA-MISC.SchDoc
U_FPGA-PWR
FPGA-PWR.SchDoc
U_MIO-BANKS
MIO-BANKS.SchDoc
U_PS-DDR
PS-DDR.SchDoc
U_SENSOR-RTC
SENSOR-RTC.SchDoc
U_SystemController
SystemController.SchDoc
U_USB-PHY
USB-PHY.SchDoc

U_B2B-Connectors
B2B-Connectors.SchDoc
U_B13
B13.SchDoc
U_B33-B34
B33-B34.SchDoc
U_B35
B35.SchDoc
U_DDR3-RAM
DDR3-RAM.SchDoc
U_eMMC
eMMC.SchDoc
U_ETH-PHY
ETH-PHY.SchDoc
U_FPGA-MISC
FPGA-MISC.SchDoc
U_FPGA-PWR
FPGA-PWR.SchDoc
U_MIO-BANKS
MIO-BANKS.SchDoc
U_PS-DDR
PS-DDR.SchDoc
U_SENSOR-RTC
SENSOR-RTC.SchDoc
U_SystemController
SystemController.SchDoc
U_USB-PHY
USB-PHY.SchDoc

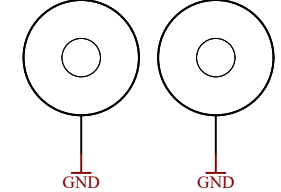
A

B

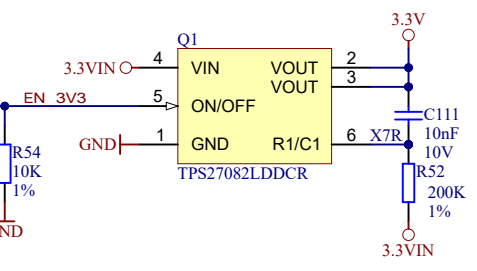
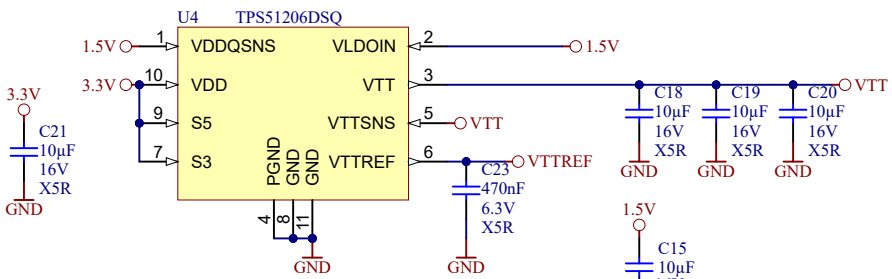
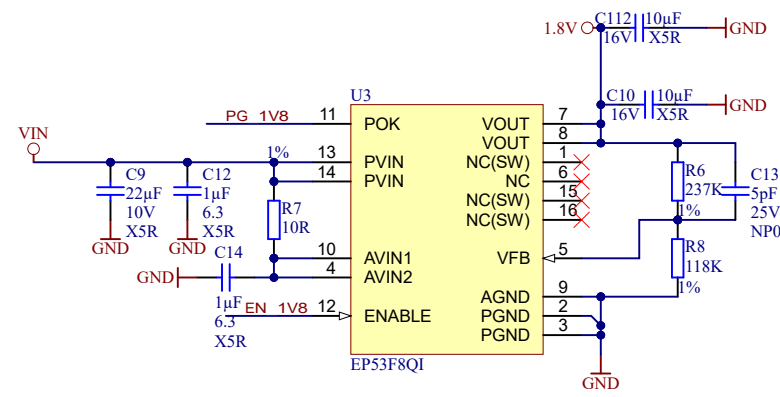
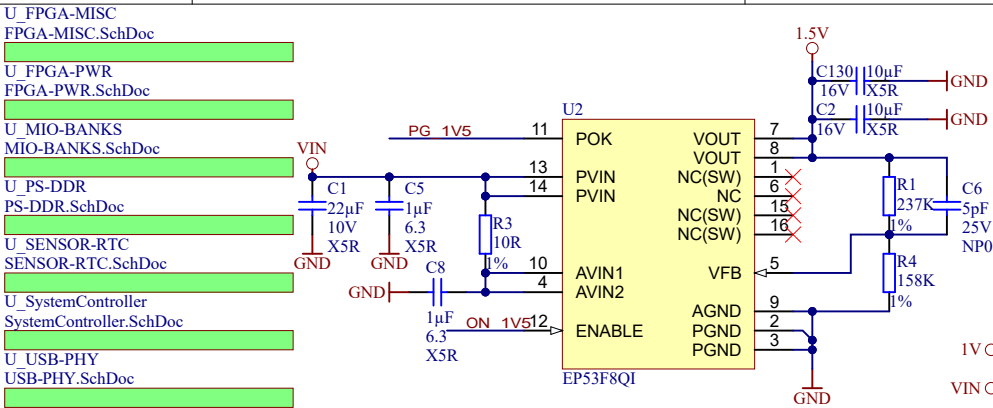
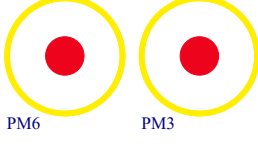
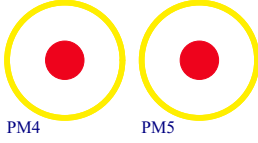
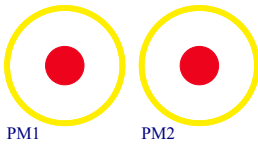
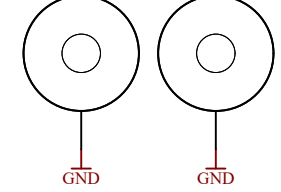
C

D

Mount.Hole 3.2mm Mount.Hole 3.2mm

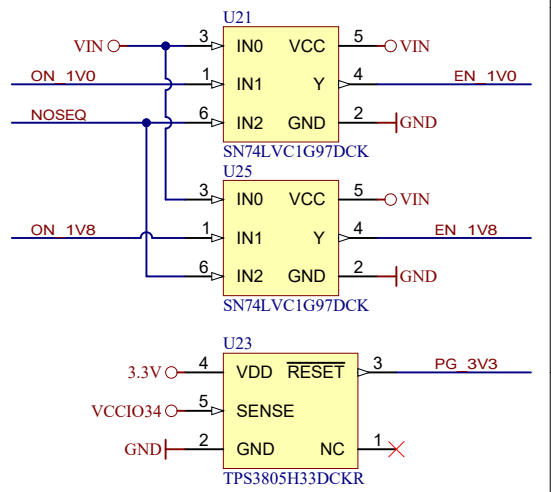
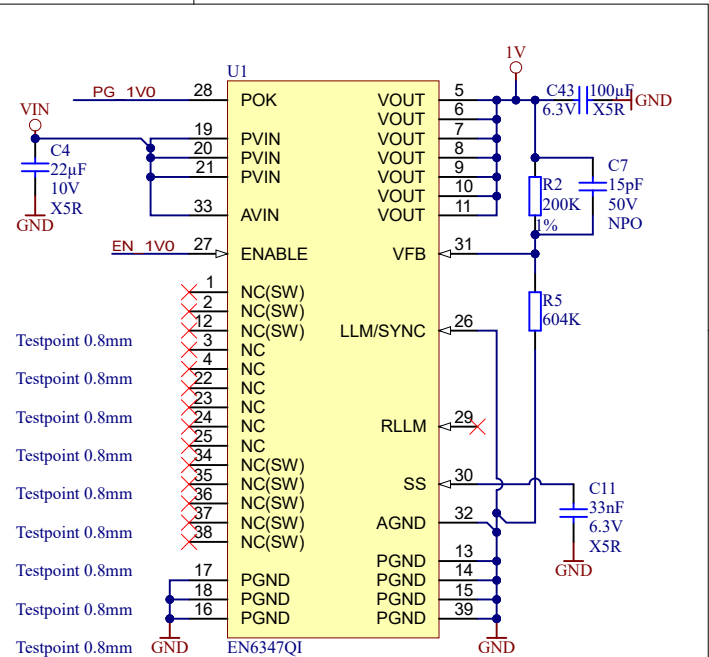


Mount.Hole 3.2mm Mount.Hole 3.2mm



- 1V TP1 Testpoint 0.8mm
- VIN TP2 Testpoint 0.8mm
- 1.5V TP3 Testpoint 0.8mm
- 1.8V TP4 Testpoint 0.8mm
- VTT TP5 Testpoint 0.8mm
- VTTREF TP6 Testpoint 0.8mm
- 3.3VIN TP7 Testpoint 0.8mm
- 3.3V TP8 Testpoint 0.8mm
- VCCIO13 TP9 Testpoint 0.8mm
- VCCIO33 TP10 Testpoint 0.8mm
- VCCIO34 TP11 Testpoint 0.8mm
- VCCIO35 TP12 Testpoint 0.8mm
- AVCC TP13 Testpoint 0.8mm
- AVREF TP14 Testpoint 0.8mm
- AGND TP15 Testpoint 0.8mm
- GND TP16 Testpoint 0.8mm
- GND TP17 Testpoint 0.8mm
- GND TP18 Testpoint 0.8mm
- GND TP19 Testpoint 0.8mm
- GND TP20 Testpoint 0.8mm

Serial
Serial Number 6,3 x 6,3mm



Assembly variant	62I33MA
Created by	MR
Modified by	MR
Modified at	2021-07-06
SVN Revision	9068



Title: GigaZee - Power		
A4	Number: TE0720 62I33MA	Rev. 03
Date: 2015-10-12	Copyright: 2013 Trenz Electronic GmbH	Page 1 of 15
Drawn by: *	Filename: TE0720.SchDoc	

1

2

3

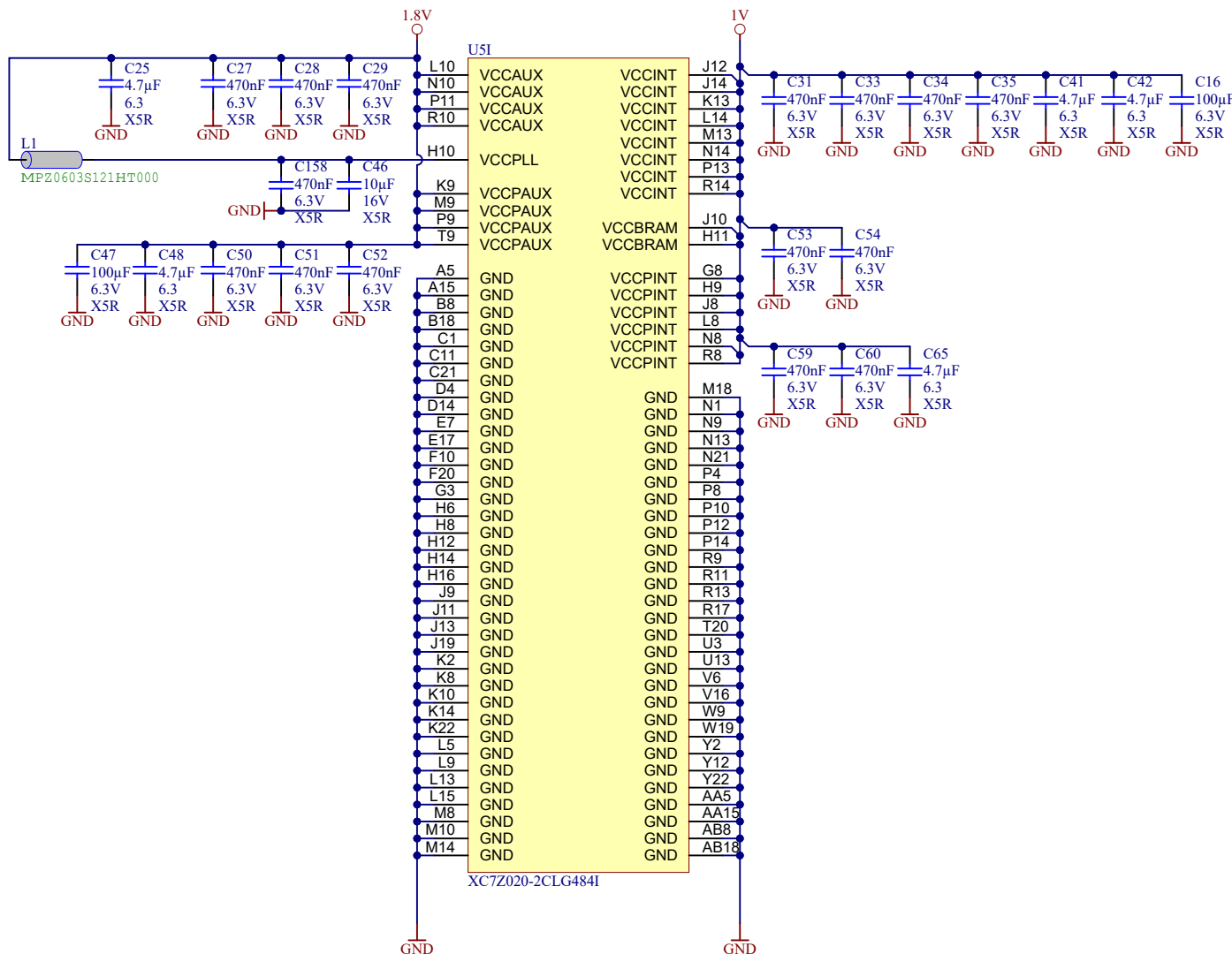
4

A

B

C

D



	Title: GigaZee - FPGA Power		
	A4	Number: TE0720 62I33MA	Rev. 03
	Date: 2015-10-12	Copyright: 2013 Trenz Electronic GmbH	Page2 of 15
	Filename: FPGA-PWR.SchDoc		

1

2

3

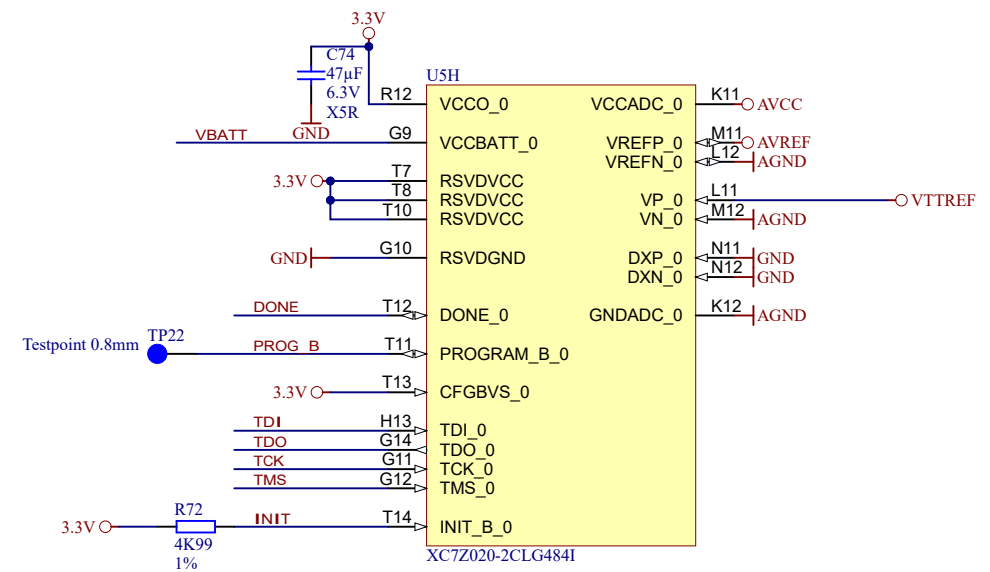
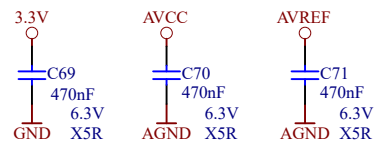
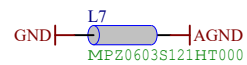
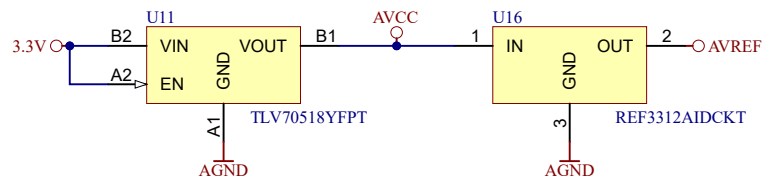
4

1

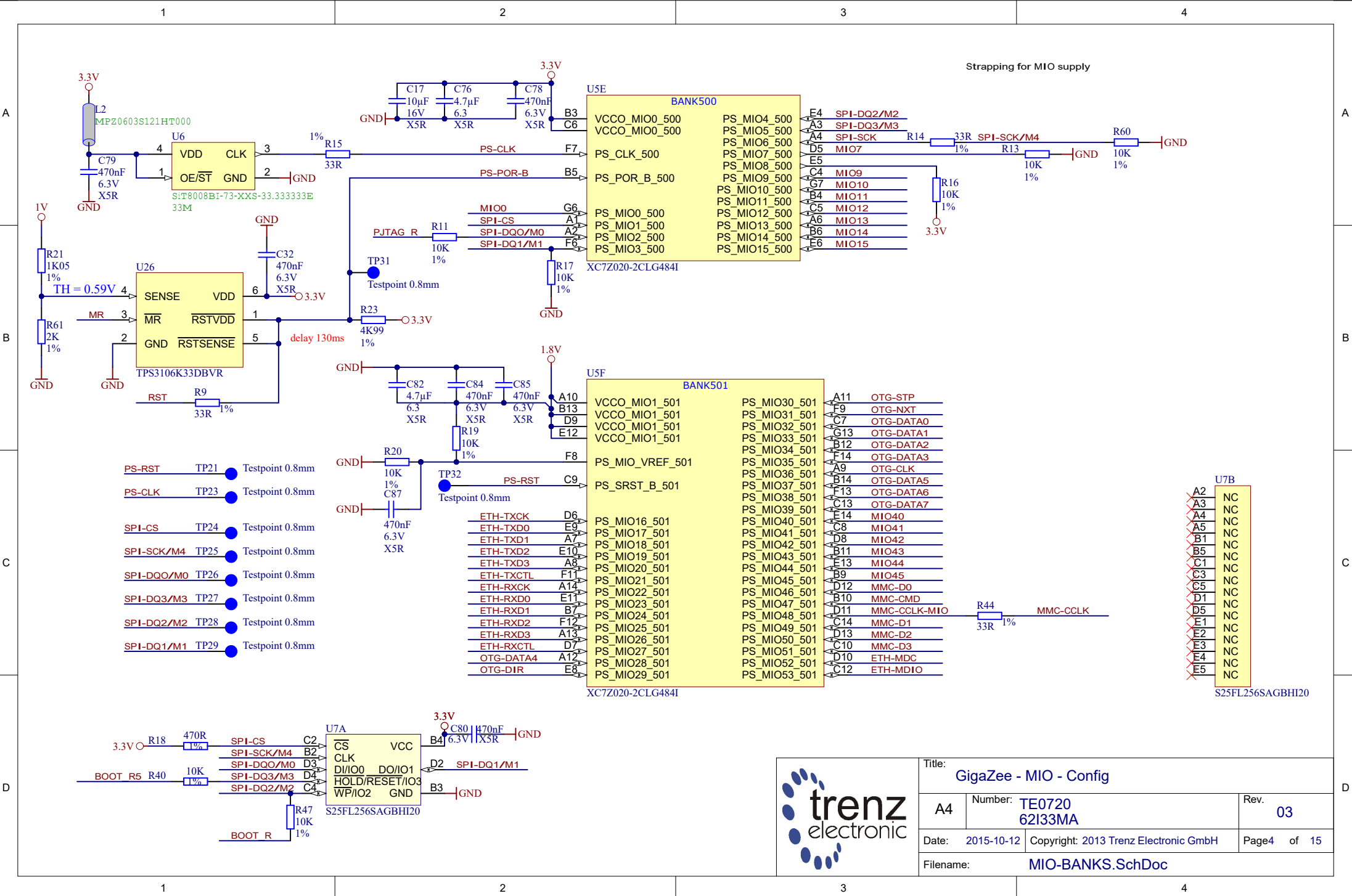
2

3

4



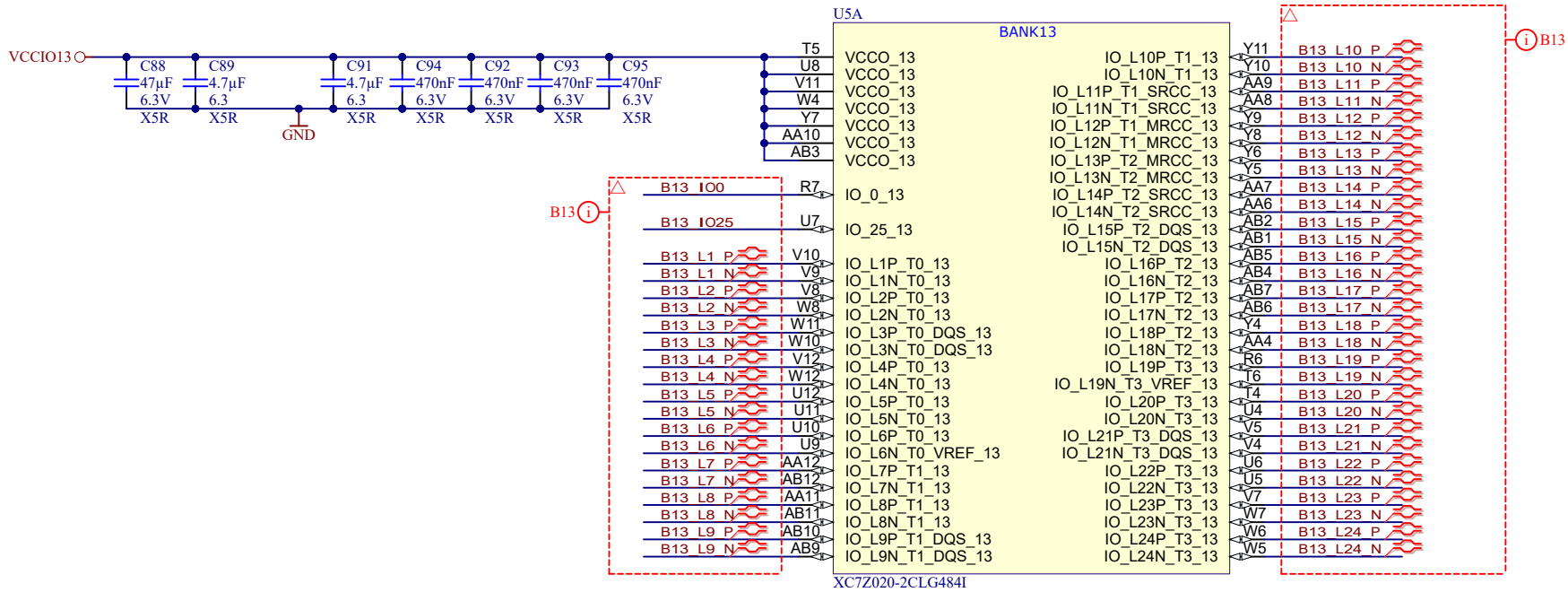
	Title: GigaZee - B0		
	A4	Number: TE0720 62133MA	Rev. 03
	Date: 2015-10-12	Copyright: 2013 Trenz Electronic GmbH	Page3 of 15
	Filename: FPGA-MISC.SchDoc		



- PS-RST TP21 Testpoint 0.8mm
- PS-CLK TP23 Testpoint 0.8mm
- SPI-CS TP24 Testpoint 0.8mm
- SPI-SCK/M4 TP25 Testpoint 0.8mm
- SPI-DQO/M0 TP26 Testpoint 0.8mm
- SPI-DQ3/M3 TP27 Testpoint 0.8mm
- SPI-DQ2/M2 TP28 Testpoint 0.8mm
- SPI-DQ1/M1 TP29 Testpoint 0.8mm

Title: GigaZee - MIO - Config		
A4	Number: TE0720 62133MA	Rev. 03
Date: 2015-10-12	Copyright: 2013 Trenz Electronic GmbH	Page4 of 15
Filename: MIO-BANKS.SchDoc		





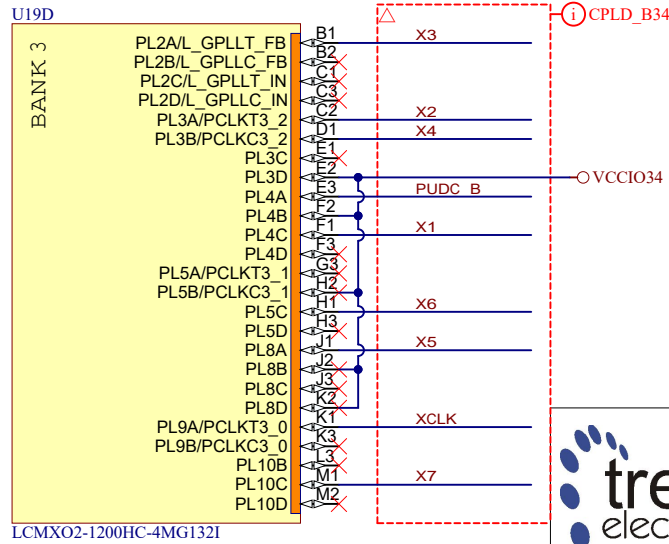
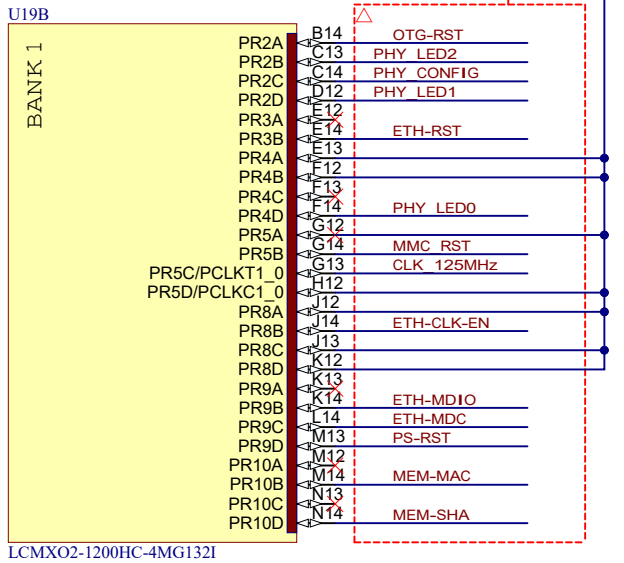
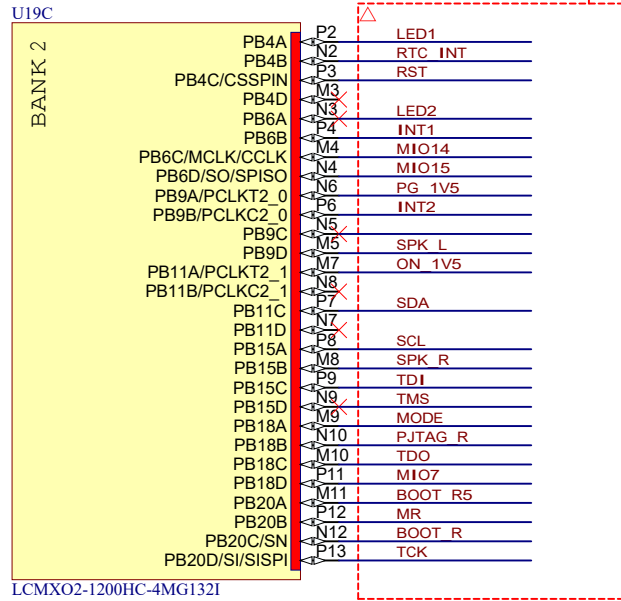
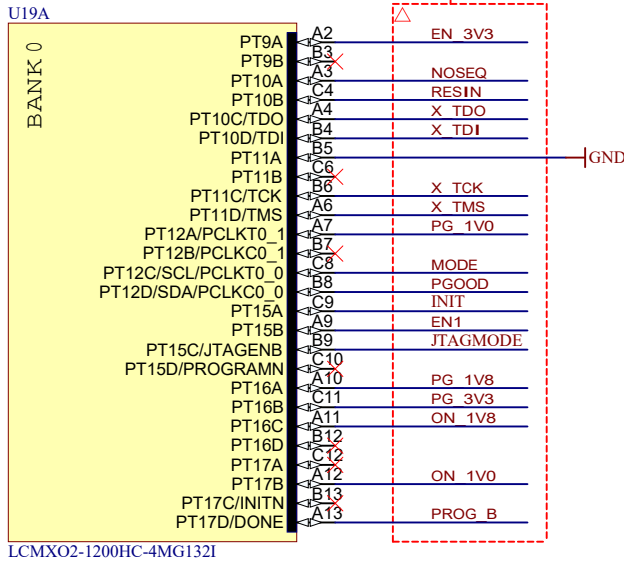
USA

BANK13

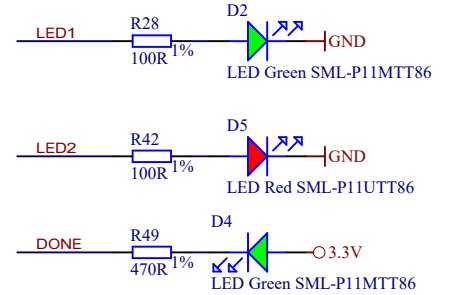
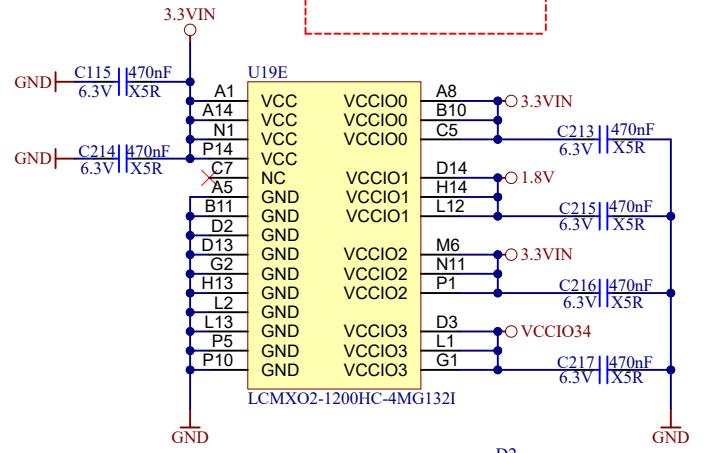
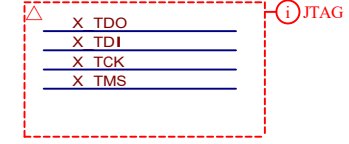
XC7Z020-2CLG484I



Title: GigaZee - B13		
A4	Number: TE0720 62I33MA	Rev. 03
Date: 2015-10-12	Copyright: 2013 Trenz Electronic GmbH	Page5 of 15
Filename: B13.SchDoc		



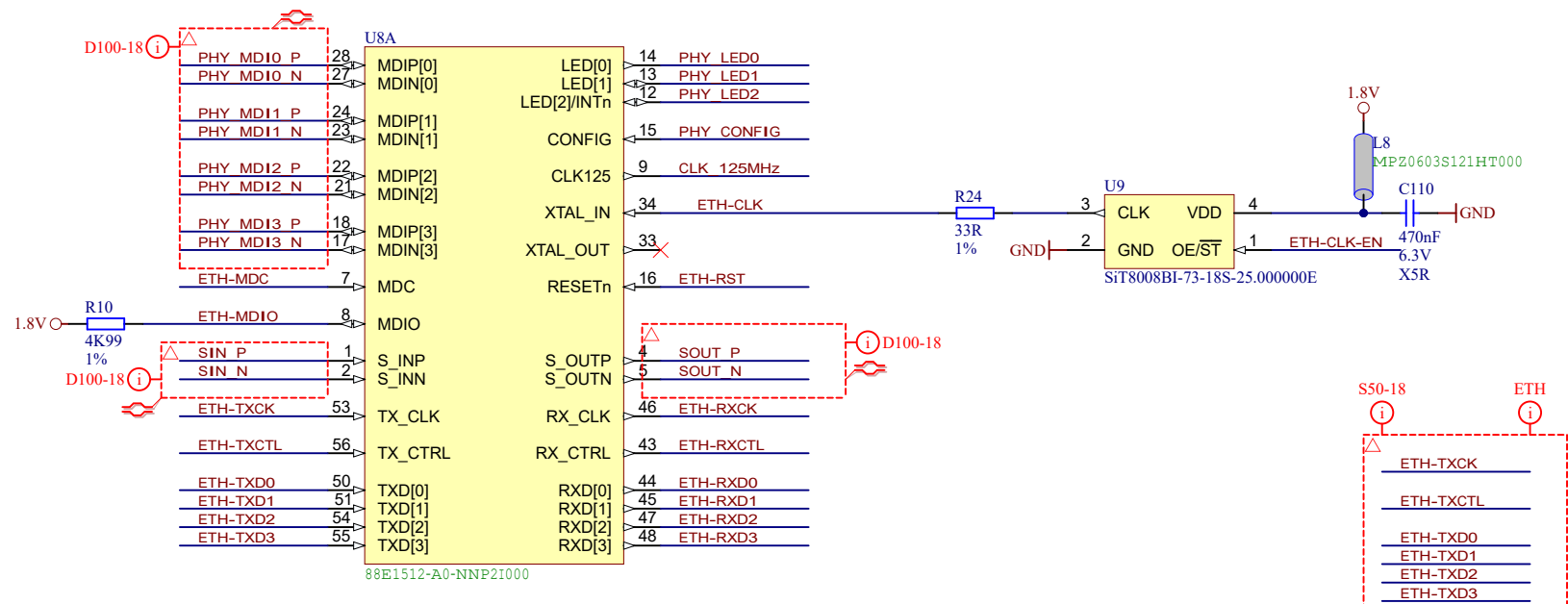
CPLD_3V3



Title: GigaZee - System Controller		
A4	Number: TE0720 62133MA	Rev. 03
Date: 2015-10-12	Copyright: 2013 Trenz Electronic GmbH	Page6 of 15
Filename: SystemController.SchDoc		

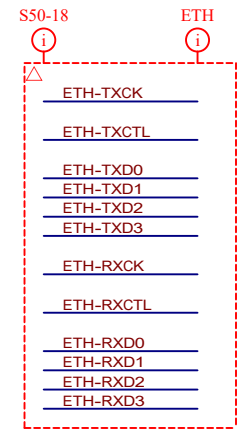
A

A



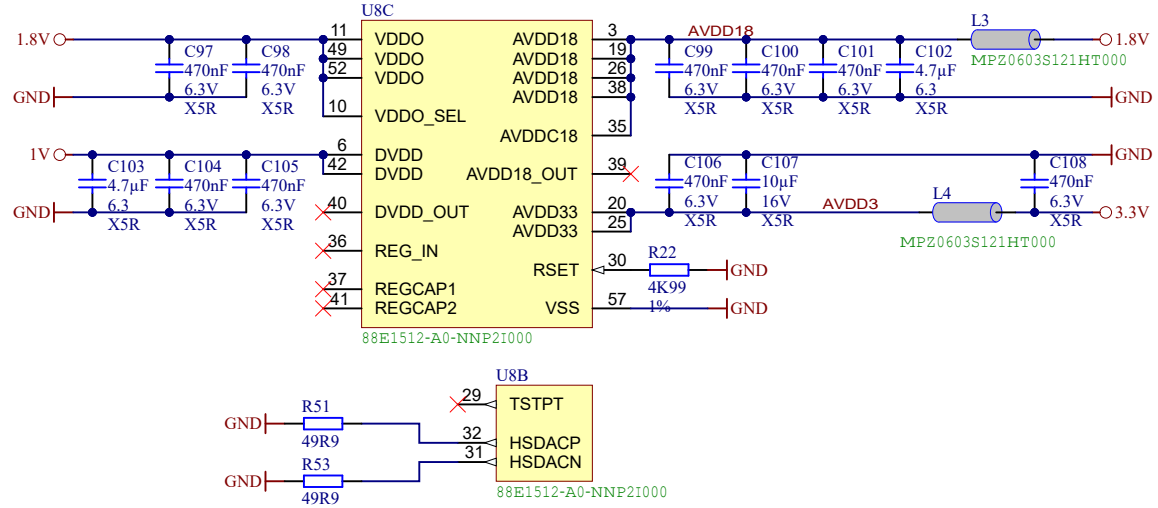
B

B




C

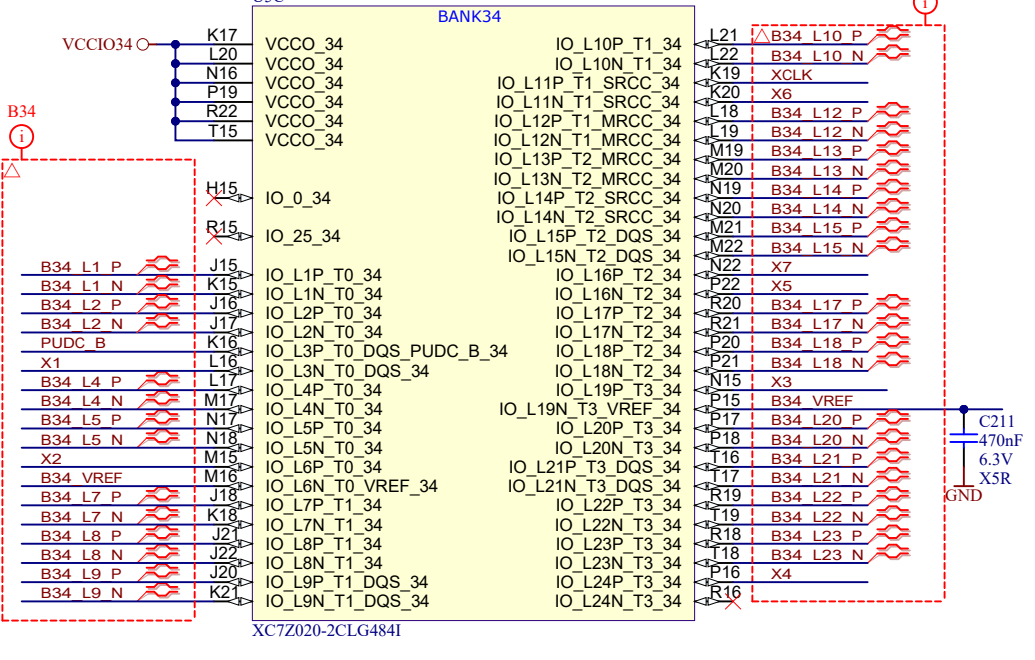
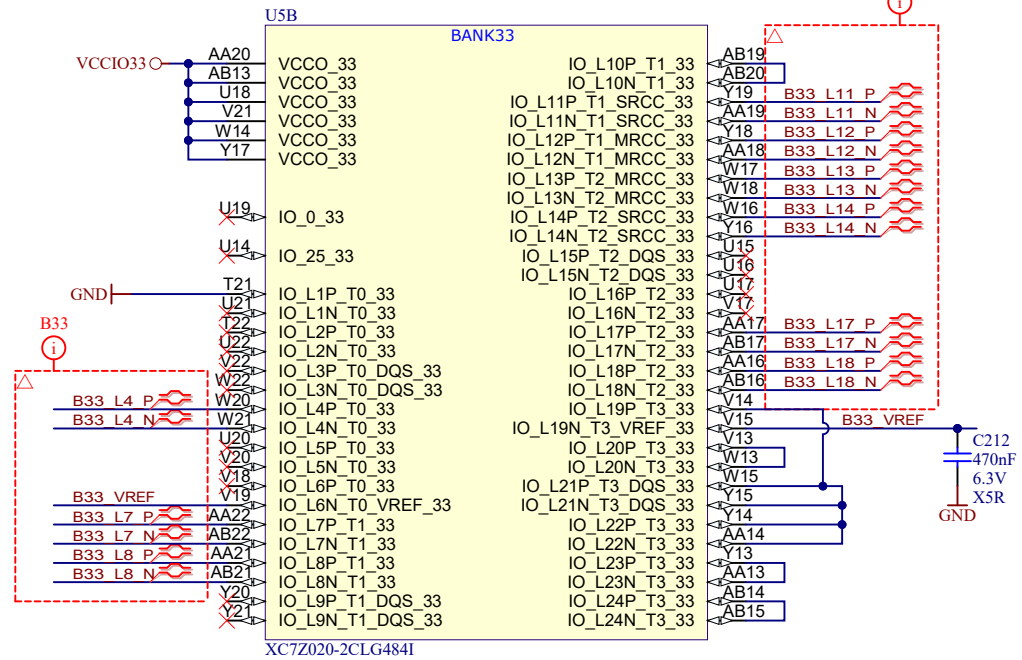
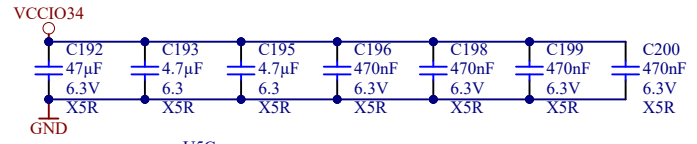
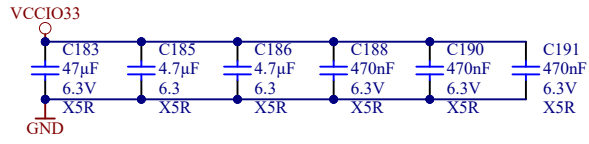
C



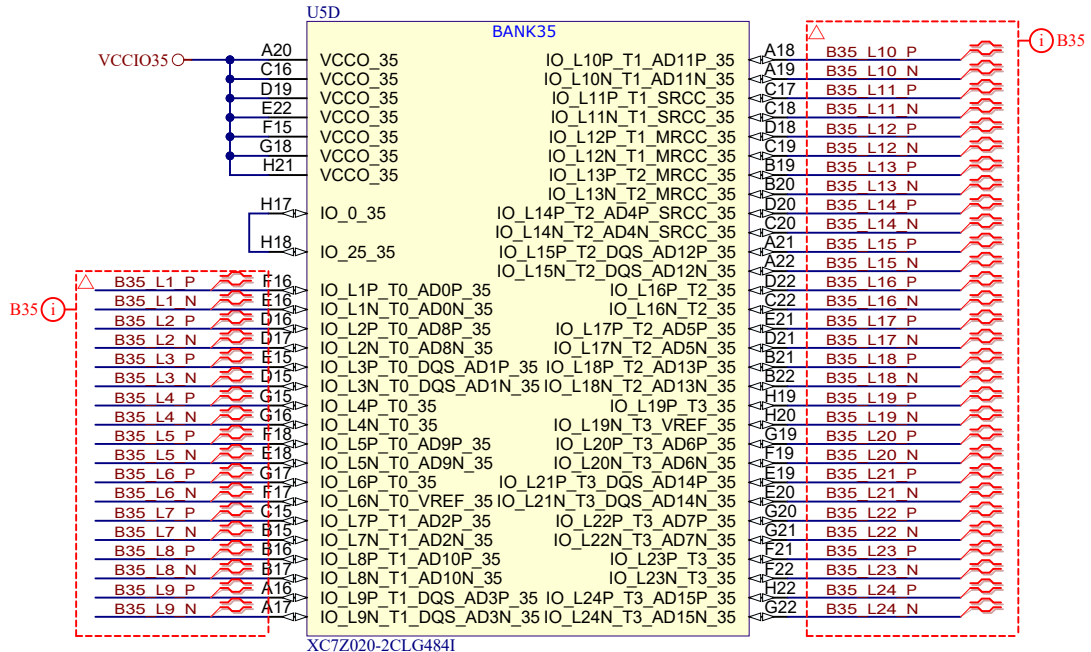
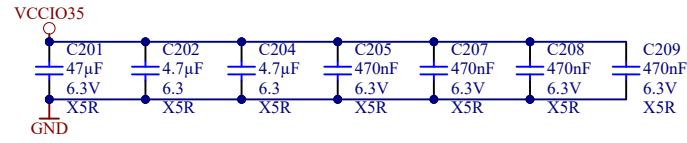
D

D


			Title: GigaZee - Ethernet	
			A4	Number: TE0720 62I33MA
Date: 2015-10-12		Copyright: 2013 Trenz Electronic GmbH		Page 7 of 15
Filename: ETH-PHY.SchDoc				



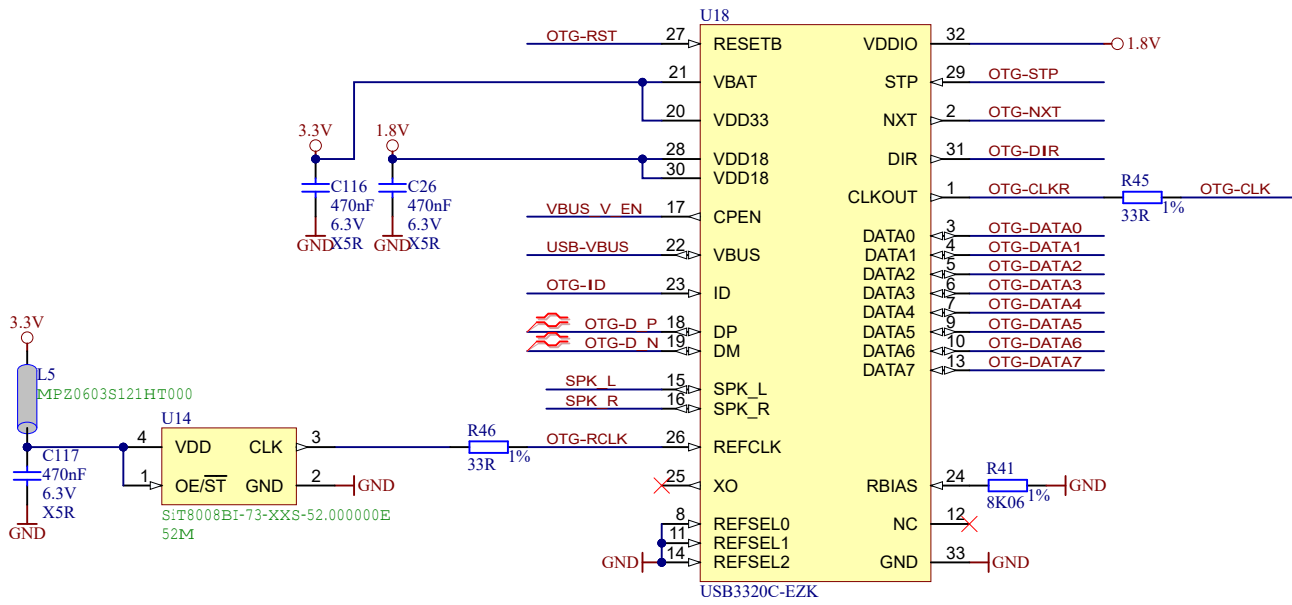
Title: GigaZee - B33 - B34		
A4	Number: TE0720 62I33MA	Rev. 03
Date: 2015-10-12	Copyright: 2013 Trenz Electronic GmbH	Page8 of 15
Filename: B33-B34.SchDoc		



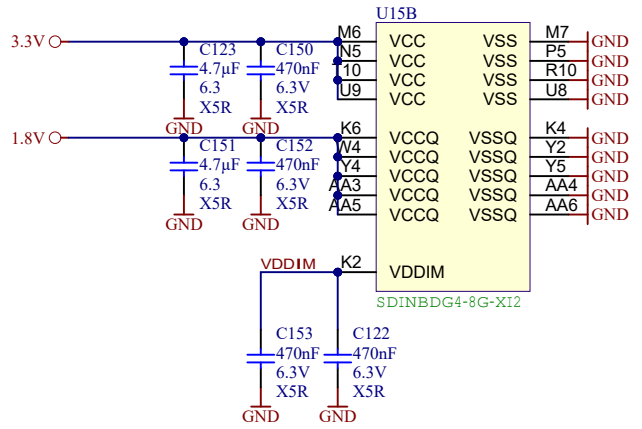
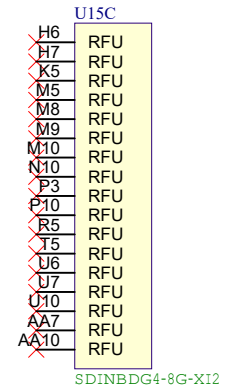
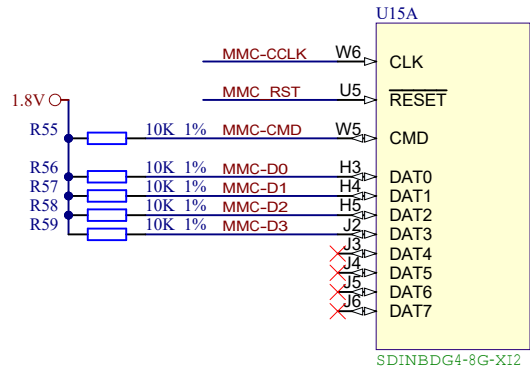
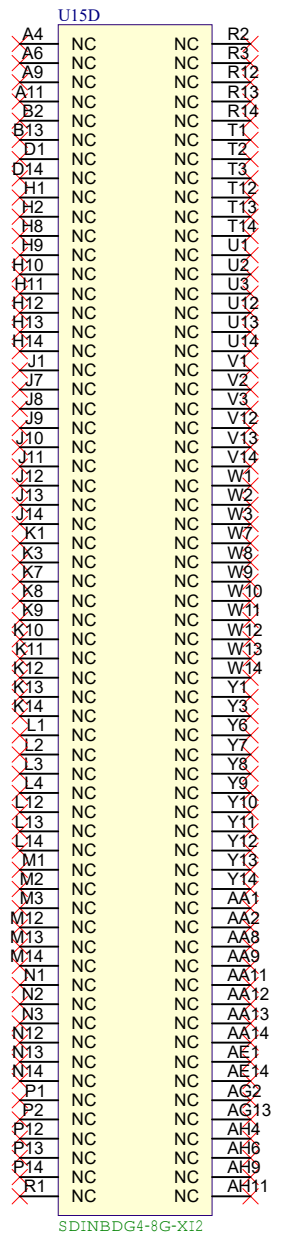
XC7Z020-2CLG484I



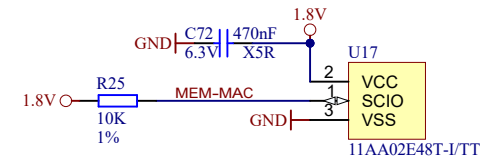
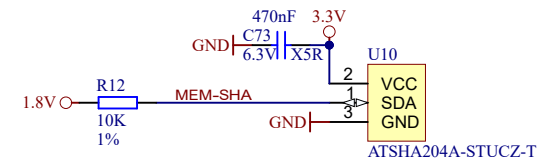
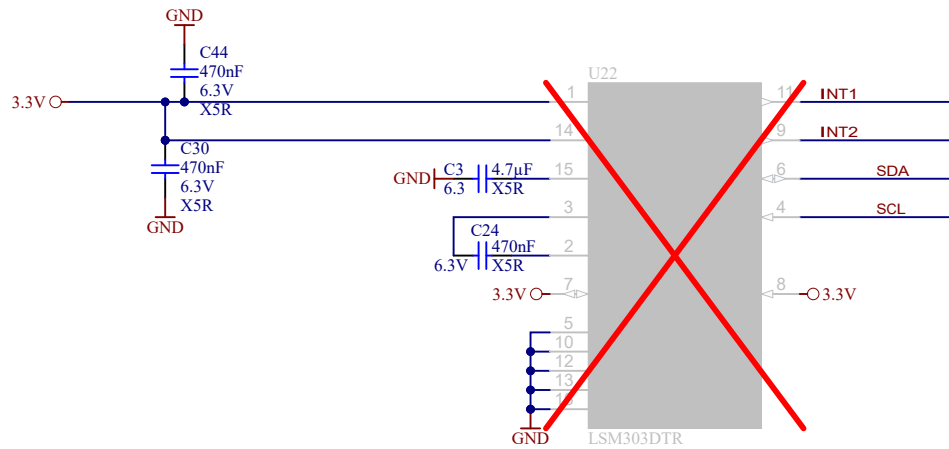
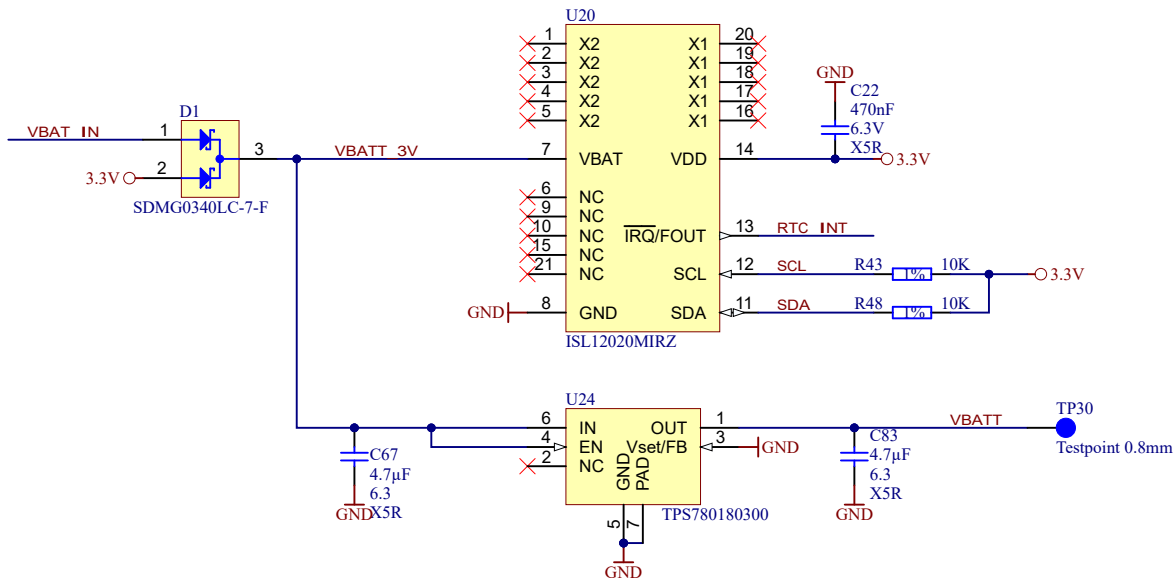
Title: GigaZee - B35		
A4	Number: TE0720 62I33MA	Rev. 03
Date: 2015-10-12	Copyright: 2013 Trenz Electronic GmbH	Page9 of 15
Filename: B35.SchDoc		




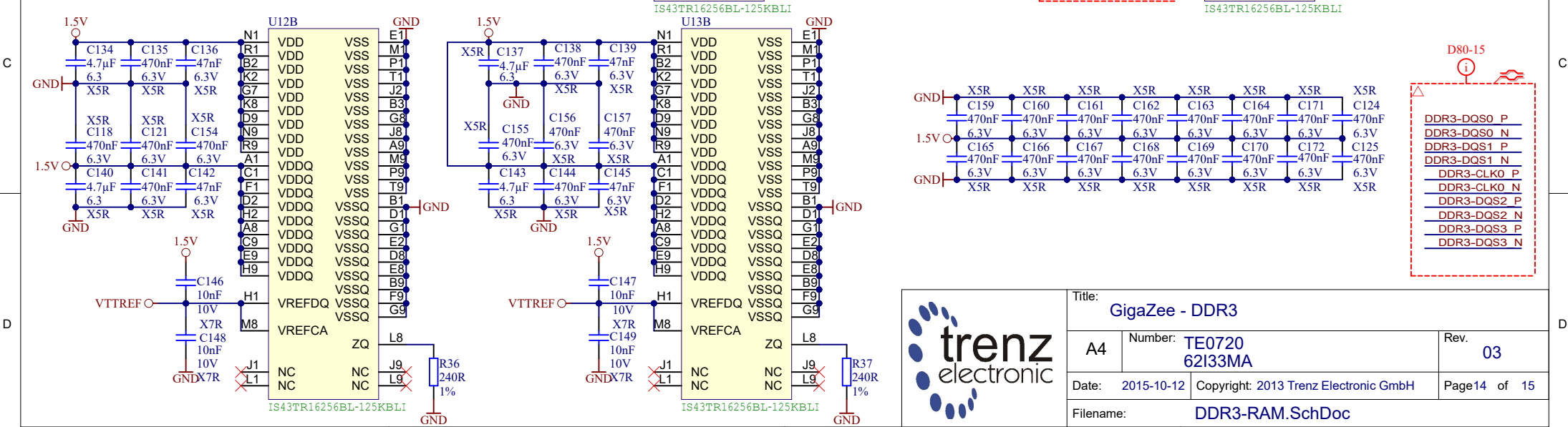
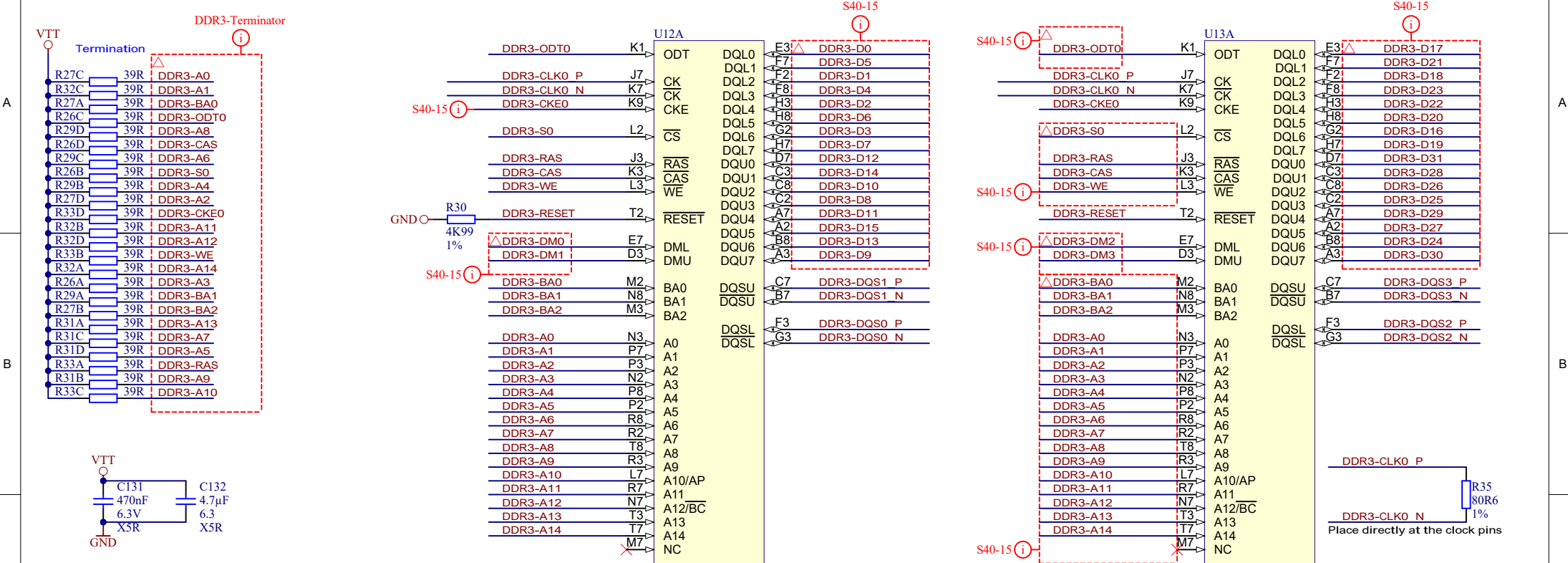
	Title: GigaZee - USB		
	A4	Number: TE0720 62I33MA	Rev. 03
	Date: 2015-10-12	Copyright: 2013 Trenz Electronic GmbH	Page 10 of 15
	Filename: USB-PHY.SchDoc		



Title: GigaZee - eNAND		
A4	Number: TE0720 62I33MA	Rev. 03
Date: 2015-10-12	Copyright: 2013 Trenz Electronic GmbH	Page 11 of 15
Filename: eMMC.SchDoc		



		Title: GigaZee - RTC, MEMS, SHA, MAC	
		A4	Number: TE0720 62133MA
Date: 2015-10-12		Copyright: 2013 Trenz Electronic GmbH	
Filename: SENSOR-RTC.SchDoc		Page 12 of 15	



trenz electronic

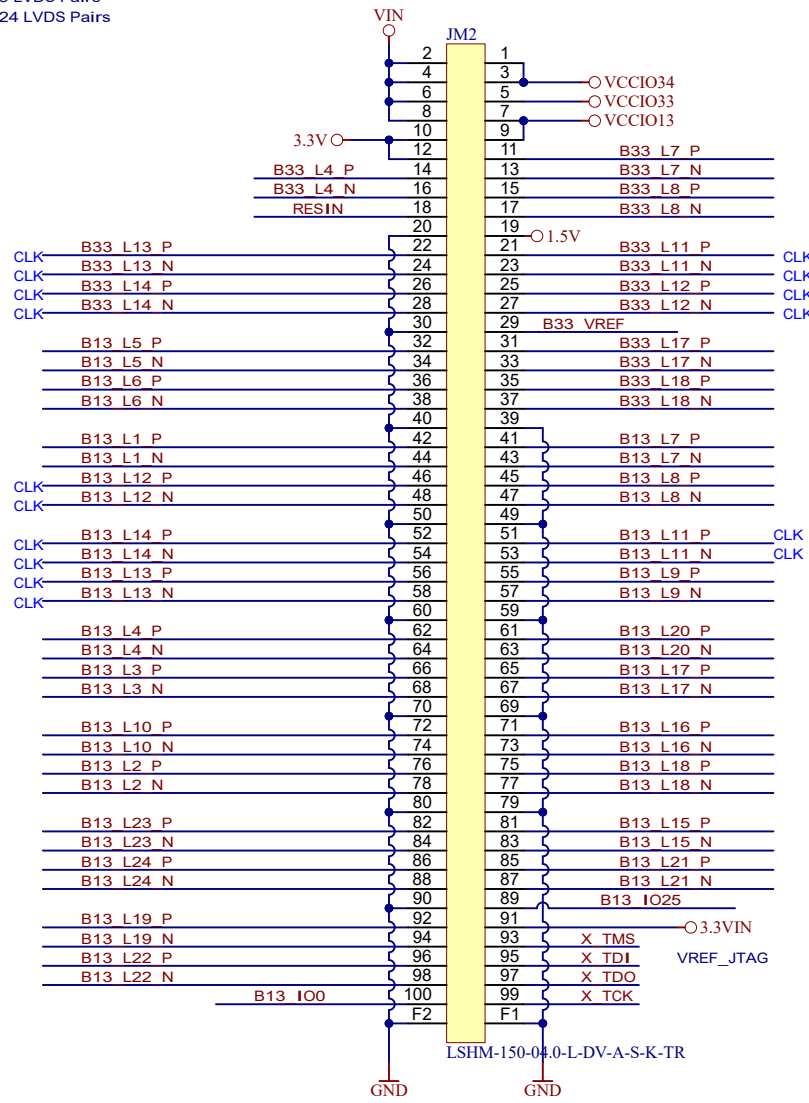
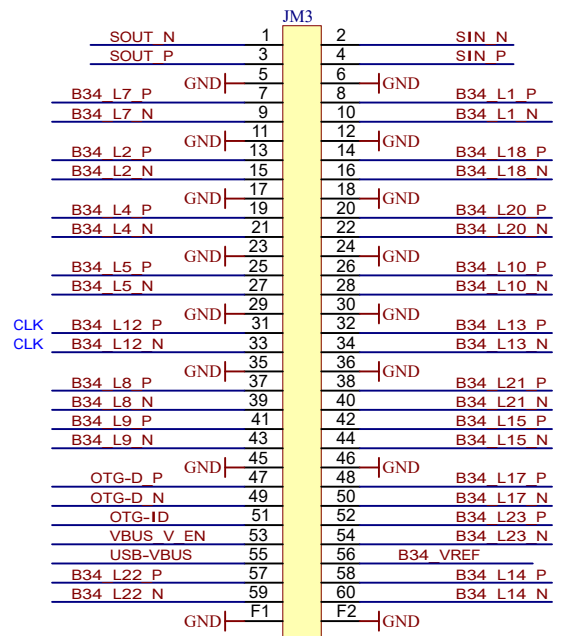
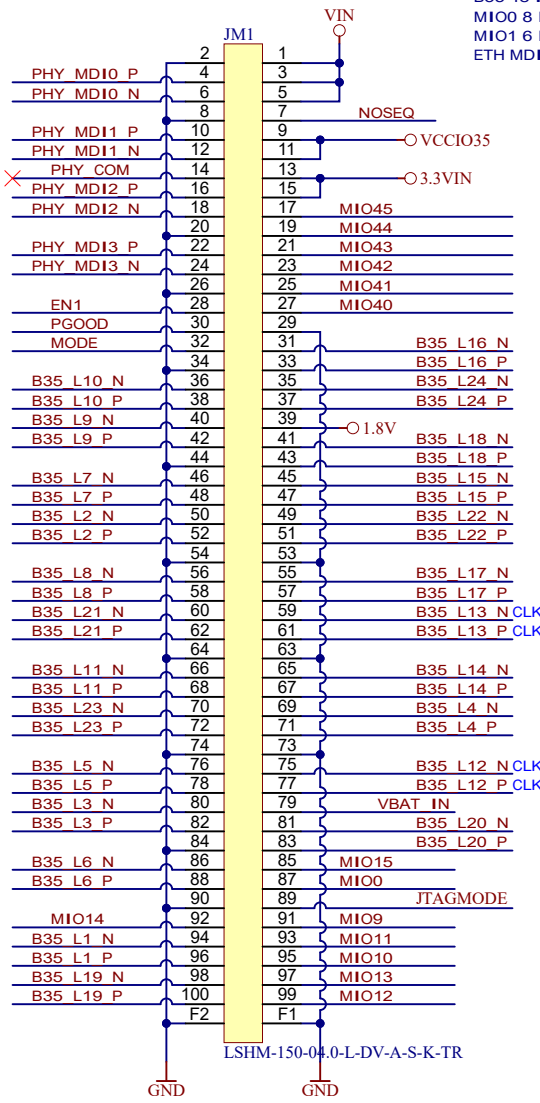
Title: **GigaZee - DDR3**

A4	Number: TE0720 62I33MA	Rev. 03
Date: 2015-10-12	Copyright: 2013 Trenz Electronic GmbH	Page 14 of 15
Filename: DDR3-RAM.SchDoc		

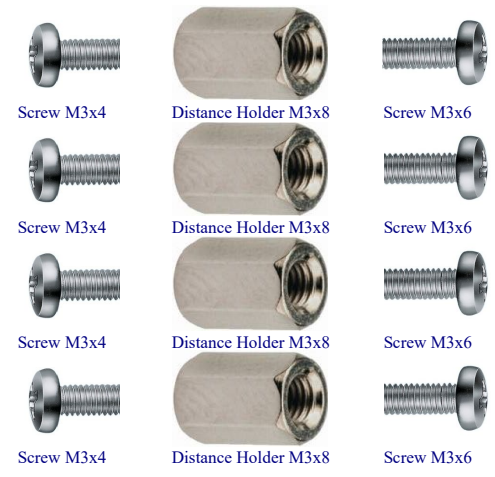
B35 48 IO, 24 LVDS Pairs
 MIO0 8 IO, 3.3V
 MIO1 6 IO 1.8V
 ETH MDI Copper

B34 36 IO, 18 LVDS Pairs
 USB OTG
 ETH SGMII

B33 18 IO, 9 LVDS Pairs
 B13 48 IO, 24 LVDS Pairs
 B13 2 IO



Top of Board



Title: GigaZee - B2B Connector		
A4	Number: TE0720 62133MA	Rev. 03
Date: 2015-10-12	Copyright: 2013 Trenz Electronic GmbH	Page 15 of 15
Filename: B2B-Connectors.SchDoc		