

U_B2B-Connectors
B2B-Connectors.SchDoc
U_B13
B13.SchDoc
U_B33-B34
B33-B34.SchDoc
U_B35
B35.SchDoc
U_DDR3-RAM
DDR3-RAM.SchDoc
U_eMMC
eMMC.SchDoc
U_ETH-PHY
ETH-PHY.SchDoc
U_FPGA-MISC
FPGA-MISC.SchDoc
U_FPGA-PWR
FPGA-PWR.SchDoc
U_MIO-BANKS
MIO-BANKS.SchDoc
U_PS-DDR
PS-DDR.SchDoc
U_SENSOR-RTC
SENSOR-RTC.SchDoc
U_SystemController
SystemController.SchDoc
U_USB-PHY
USB-PHY.SchDoc

U_B2B-Connectors
B2B-Connectors.SchDoc
U_B13
B13.SchDoc
U_B33-B34
B33-B34.SchDoc
U_B35
B35.SchDoc
U_DDR3-RAM
DDR3-RAM.SchDoc
U_eMMC
eMMC.SchDoc
U_ETH-PHY
ETH-PHY.SchDoc
U_FPGA-MISC
FPGA-MISC.SchDoc
U_FPGA-PWR
FPGA-PWR.SchDoc
U_MIO-BANKS
MIO-BANKS.SchDoc
U_PS-DDR
PS-DDR.SchDoc
U_SENSOR-RTC
SENSOR-RTC.SchDoc
U_SystemController
SystemController.SchDoc
U_USB-PHY
USB-PHY.SchDoc

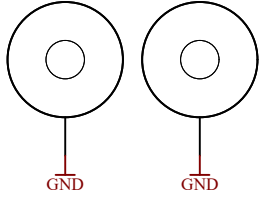
A

B

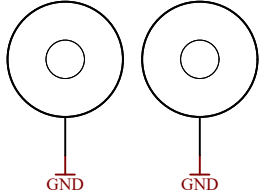
C

D

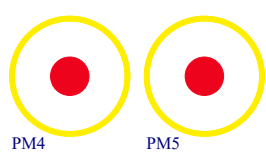
Mount.Hole 3.2mm Mount.Hole 3.2mm



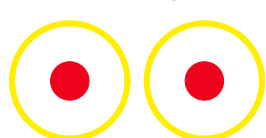
Mount.Hole 3.2mm Mount.Hole 3.2mm



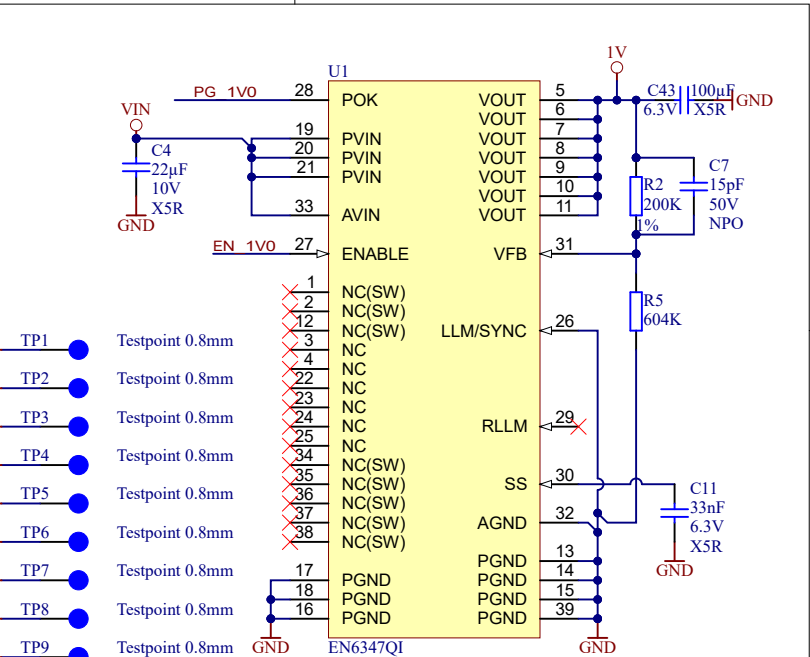
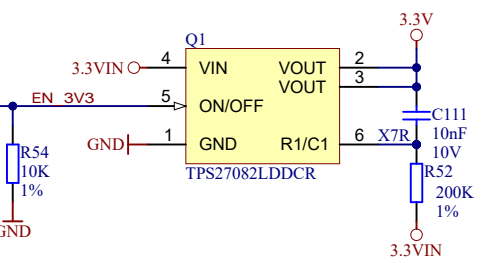
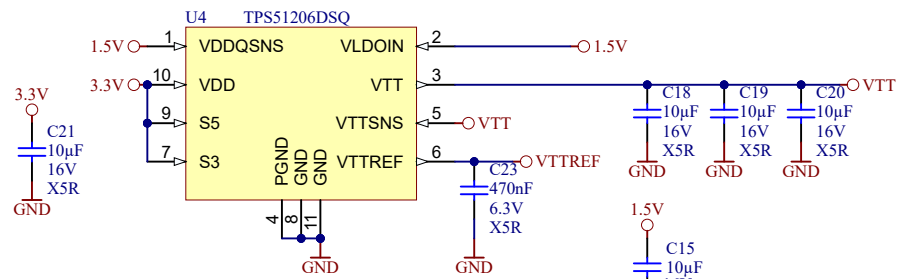
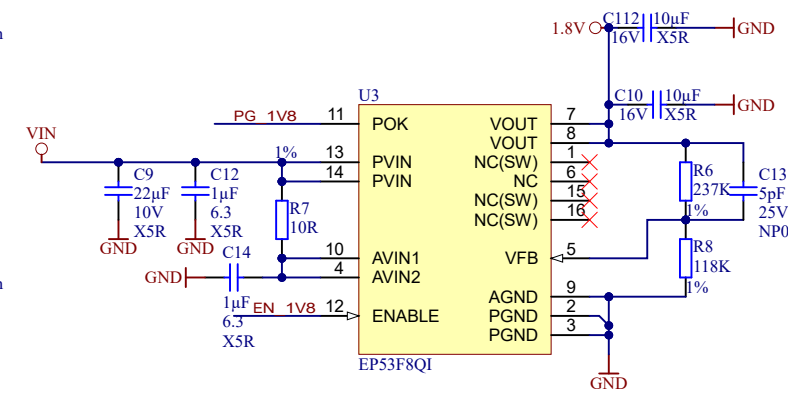
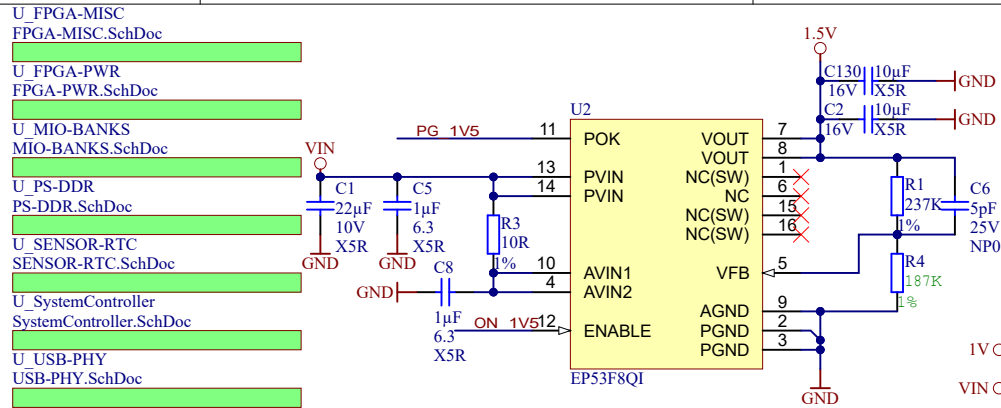
PM1 PM2



PM4 PM5



PM6 PM3



- 1V TP1 Testpoint 0.8mm
- VIN TP2 Testpoint 0.8mm
- 1.5V TP3 Testpoint 0.8mm
- 1.8V TP4 Testpoint 0.8mm
- VTT TP5 Testpoint 0.8mm
- VTTREF TP6 Testpoint 0.8mm
- 3.3VIN TP7 Testpoint 0.8mm
- 3.3V TP8 Testpoint 0.8mm
- VCCIO13 TP9 Testpoint 0.8mm
- VCCIO33 TP10 Testpoint 0.8mm
- VCCIO34 TP11 Testpoint 0.8mm
- VCCIO35 TP12 Testpoint 0.8mm
- AVCC TP13 Testpoint 0.8mm
- AVREF TP14 Testpoint 0.8mm
- AGND TP15 Testpoint 0.8mm
- GND TP16 Testpoint 0.8mm
- GND TP17 Testpoint 0.8mm
- GND TP18 Testpoint 0.8mm
- GND TP19 Testpoint 0.8mm
- GND TP20 Testpoint 0.8mm

Serial  
Serial Number 6,3 x 6,3mm

Assembly variant	64I63MA
Created by	MR
Modified by	MR
Modified at	2021-07-06
SVN Revision	9068



Title: GigaZee - Power		
A4	Number: TE0720 64I63MA	Rev. 03
Date: 2015-10-12	Copyright: 2013 Trenz Electronic GmbH	Page 1 of 15
Drawn by: *	Filename: TE0720.SchDoc	

1

2

3

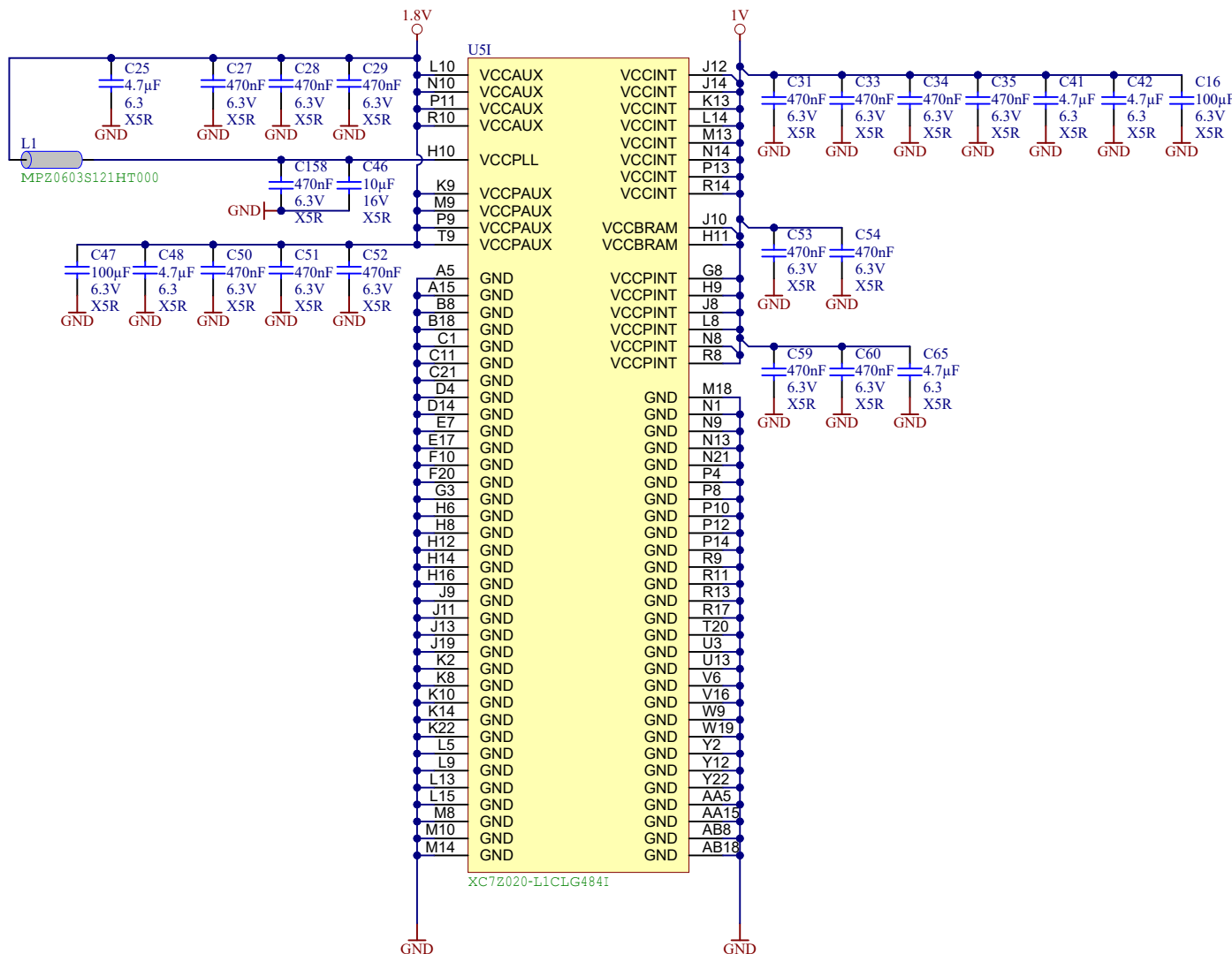
4

A

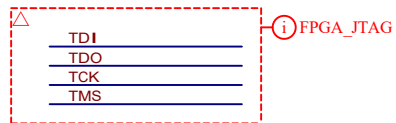
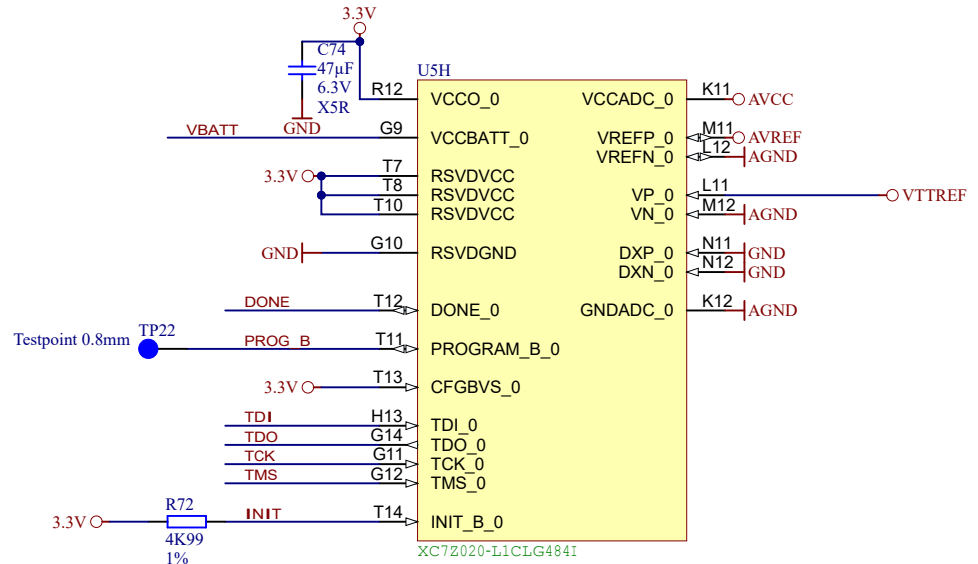
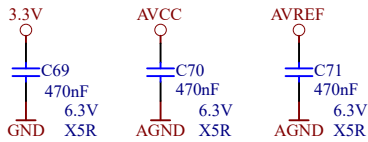
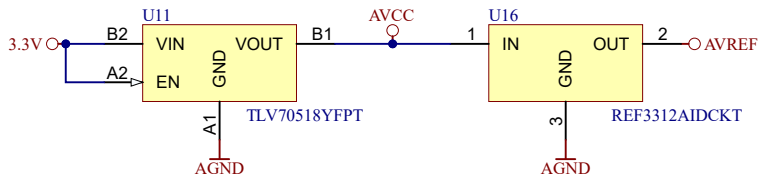
B

C

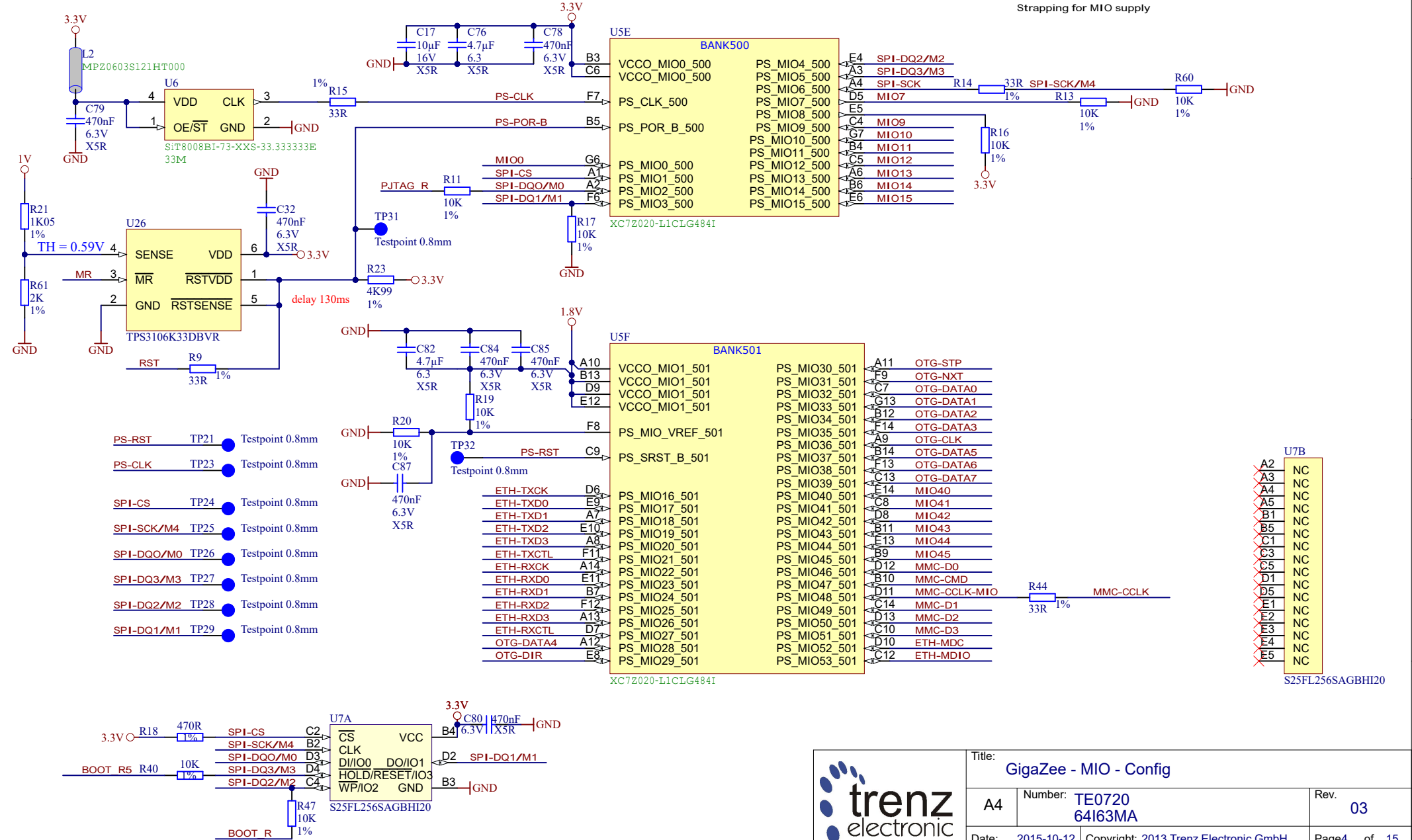
D



	Title: GigaZee - FPGA Power		
	A4	Number: TE0720 64I63MA	Rev. 03
	Date: 2015-10-12	Copyright: 2013 Trenz Electronic GmbH	Page2 of 15
	Filename: FPGA-PWR.SchDoc		



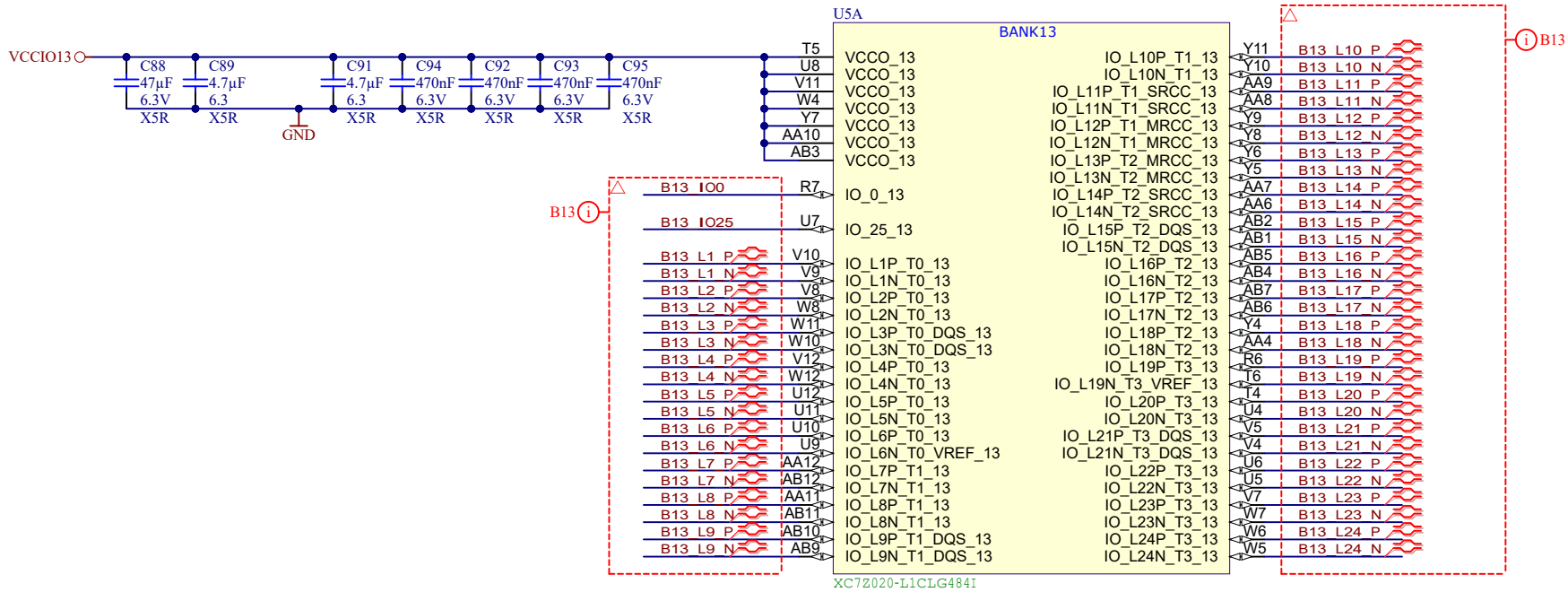
	Title: GigaZee - B0		
	A4	Number: TE0720 64I63MA	Rev. 03
	Date: 2015-10-12	Copyright: 2013 Trenz Electronic GmbH	Page3 of 15
	Filename: FPGA-MISC.SchDoc		




Strapping for MIO supply

Title: GigaZee - MIO - Config		
A4	Number: TE0720 64I63MA	Rev. 03
Date: 2015-10-12	Copyright: 2013 Trenz Electronic GmbH	Page4 of 15
Filename: MIO-BANKS.SchDoc		





	Title: <b>GigaZee - B13</b>		
	A4	Number: <b>TE0720 64I63MA</b>	Rev. <b>03</b>
	Date: <b>2015-10-12</b>	Copyright: <b>2013 Trenz Electronic GmbH</b>	Page <b>5</b> of <b>15</b>
	Filename: <b>B13.SchDoc</b>		

1

2

3

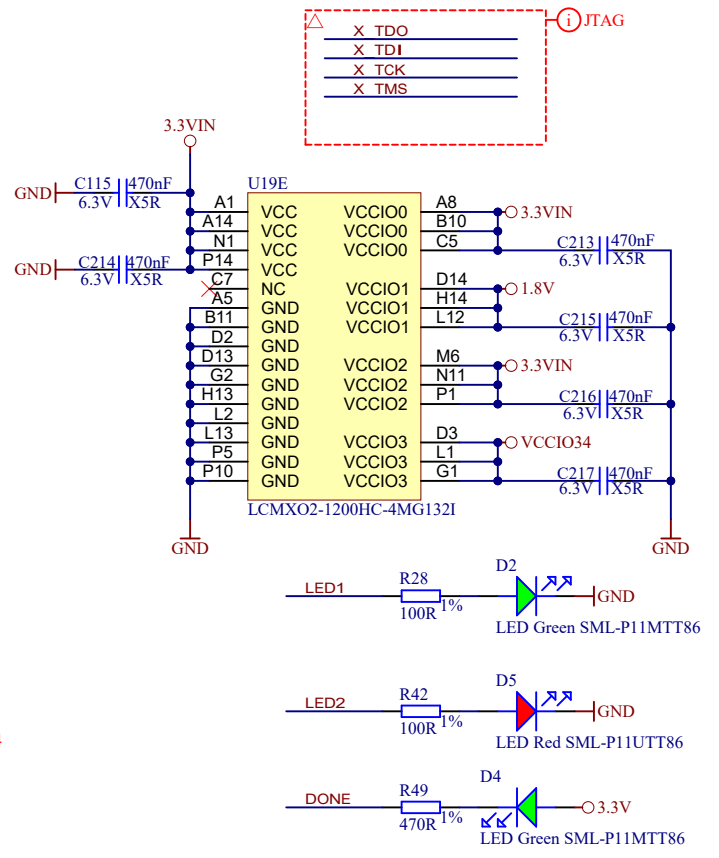
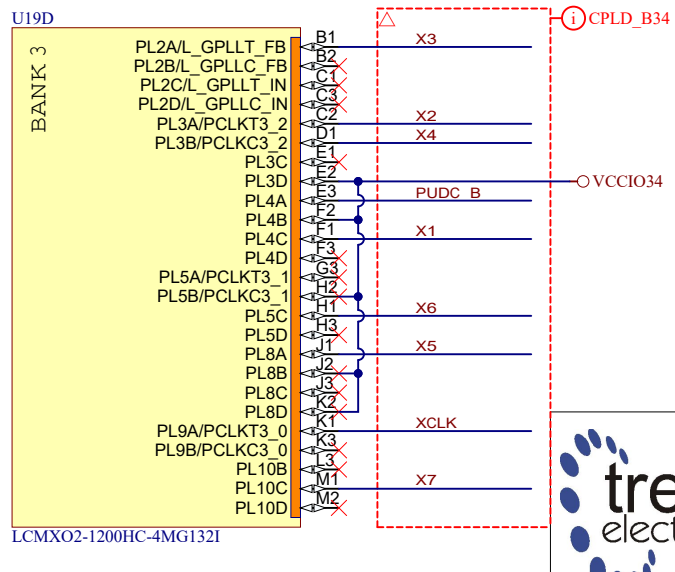
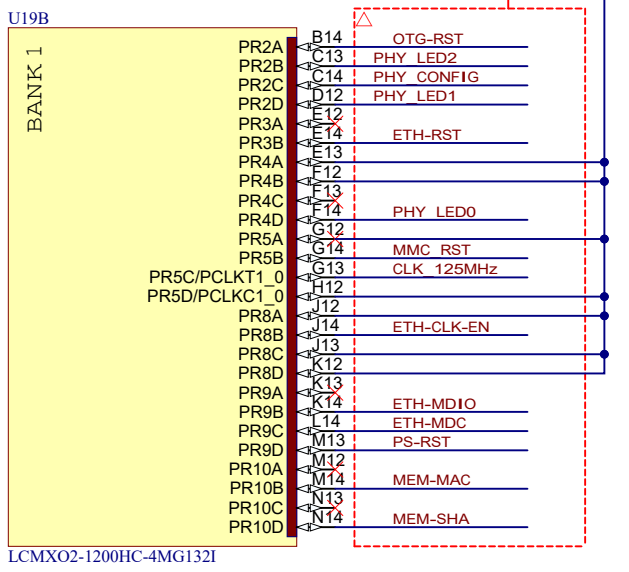
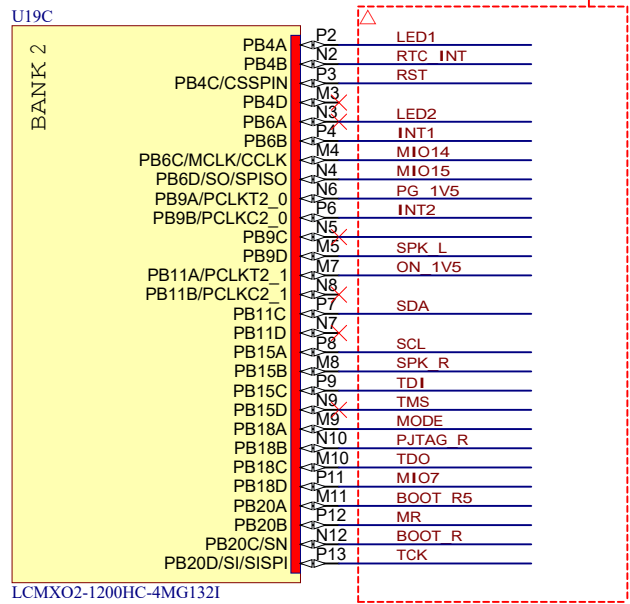
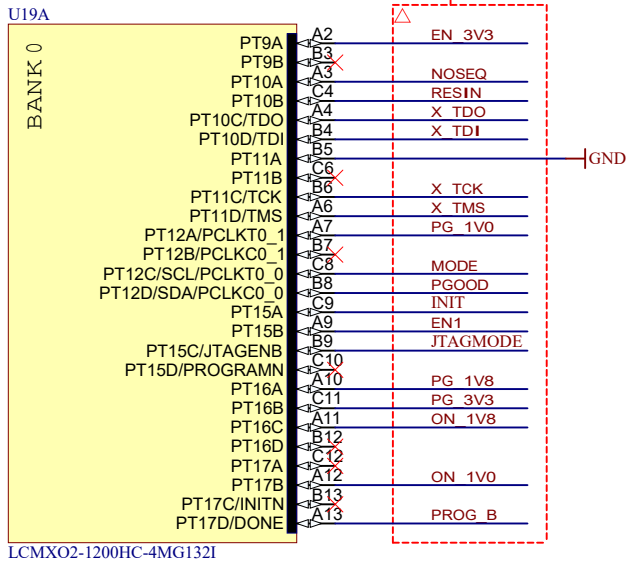
4

1

2

3

4



Title: GigaZee - System Controller		
A4	Number: TE0720 64I63MA	Rev. 03
Date: 2015-10-12	Copyright: 2013 Trenz Electronic GmbH	Page 6 of 15
Filename: SystemController.SchDoc		

1

2

3

4

1

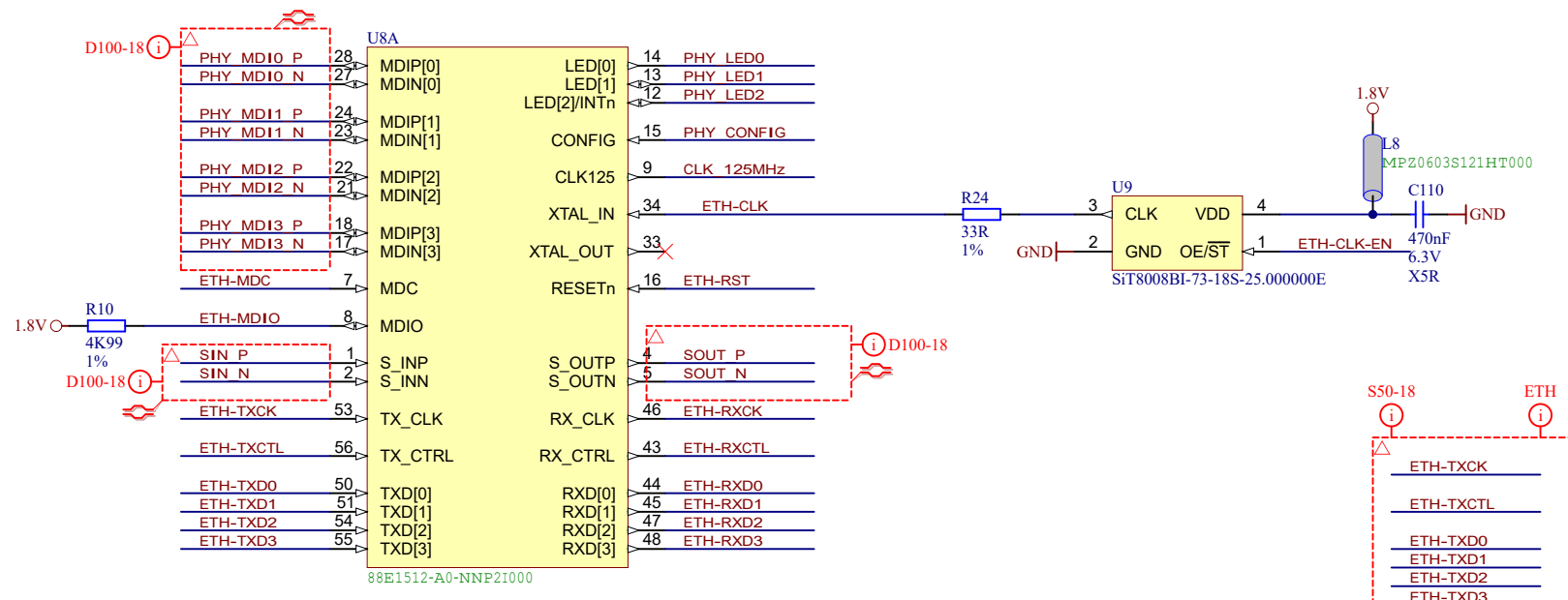
2

3

4

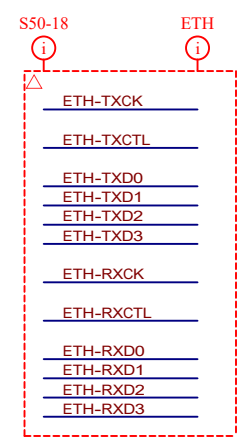
A

A



B

B



C

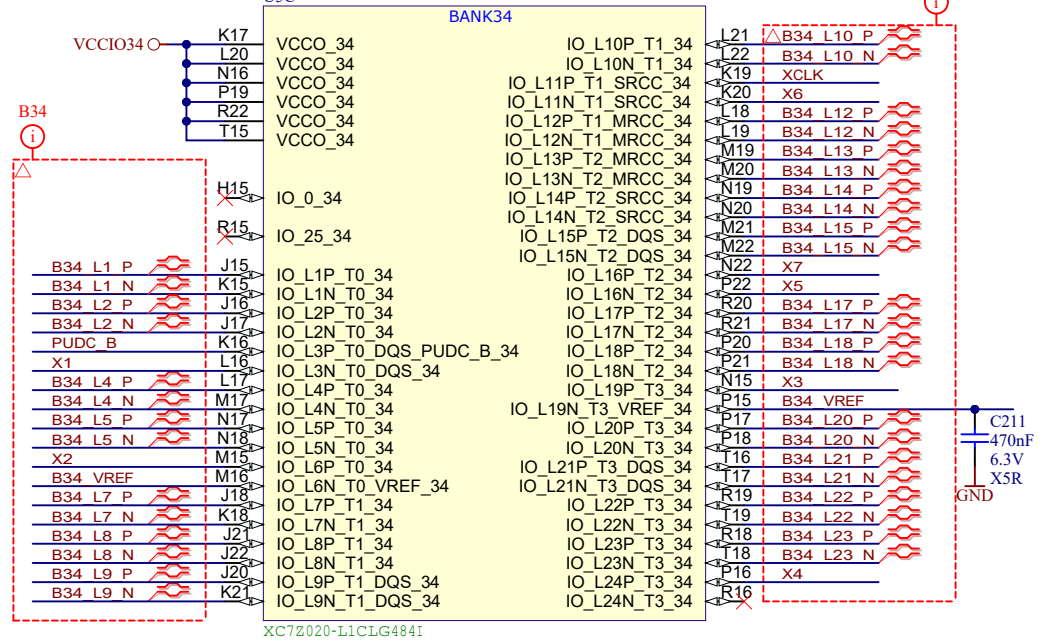
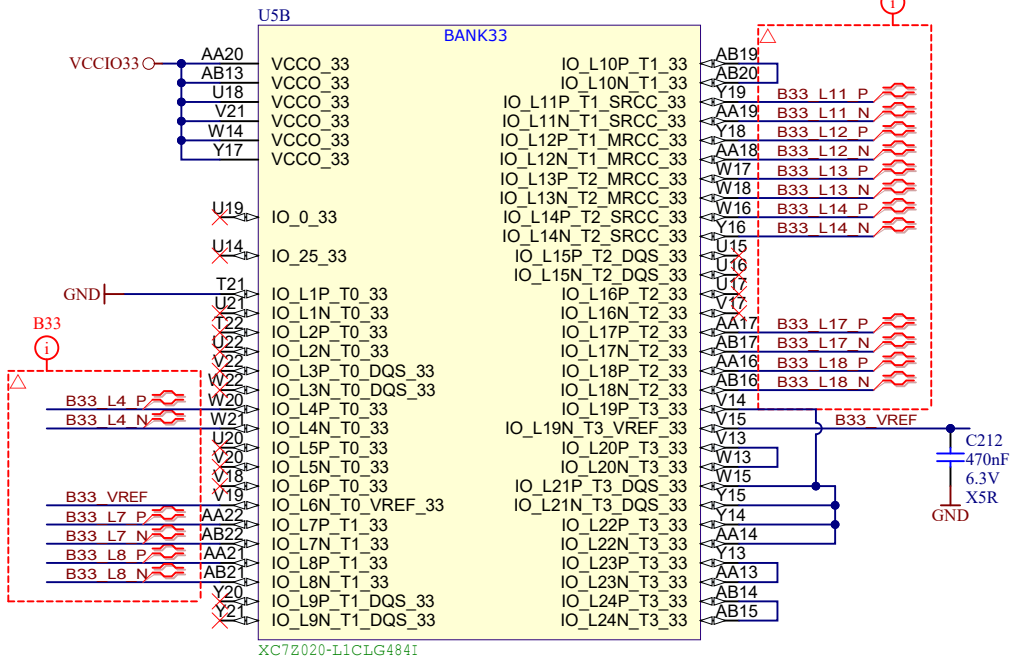
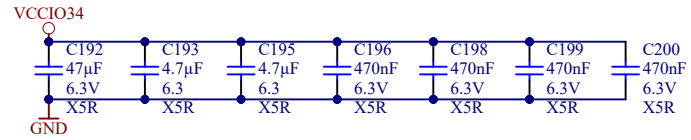
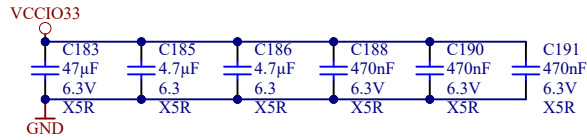
C

			Title: <b>GigaZee - Ethernet</b>	
			A4	Number: <b>TE0720 64I63MA</b>
Date: 2015-10-12		Copyright: 2013 Trenz Electronic GmbH		Page 7 of 15
Filename: <b>ETH-PHY.SchDoc</b>				

D

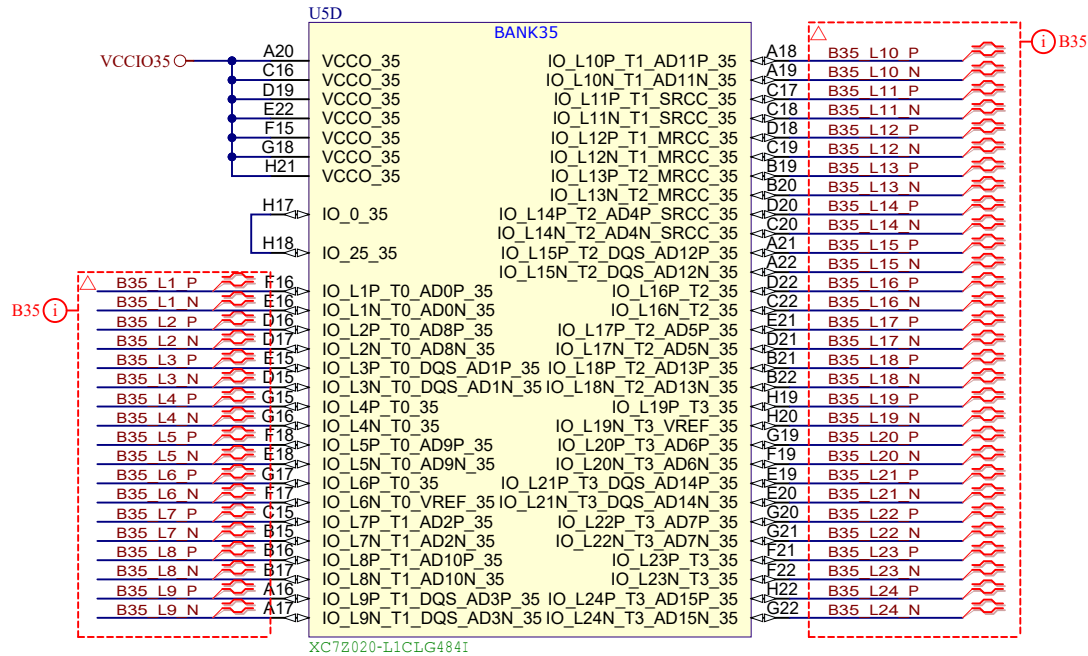
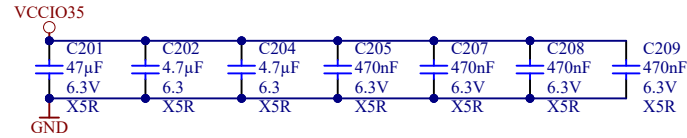
D





Title: GigaZee - B33 - B34		
A4	Number: TE0720 64I63MA	Rev. 03
Date: 2015-10-12	Copyright: 2013 Trenz Electronic GmbH	Page8 of 15
Filename: B33-B34.SchDoc		

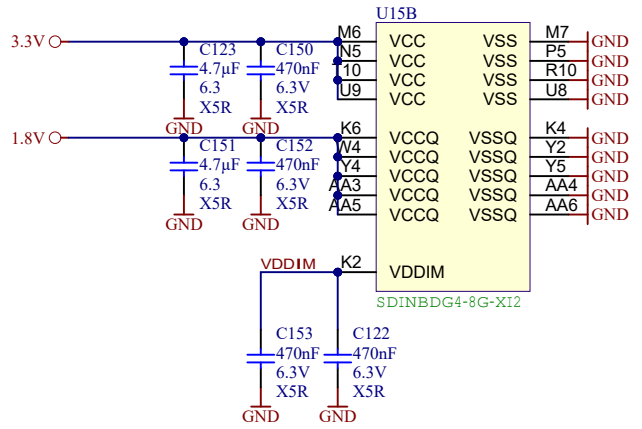
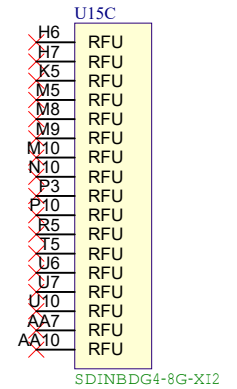
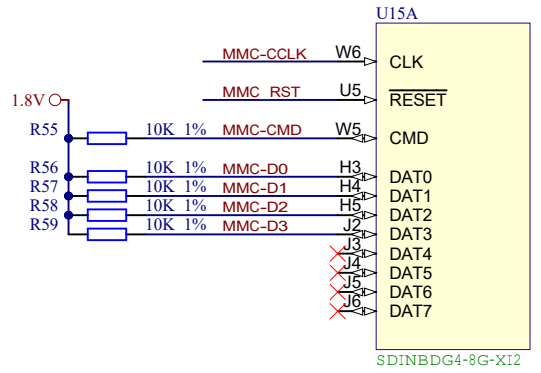
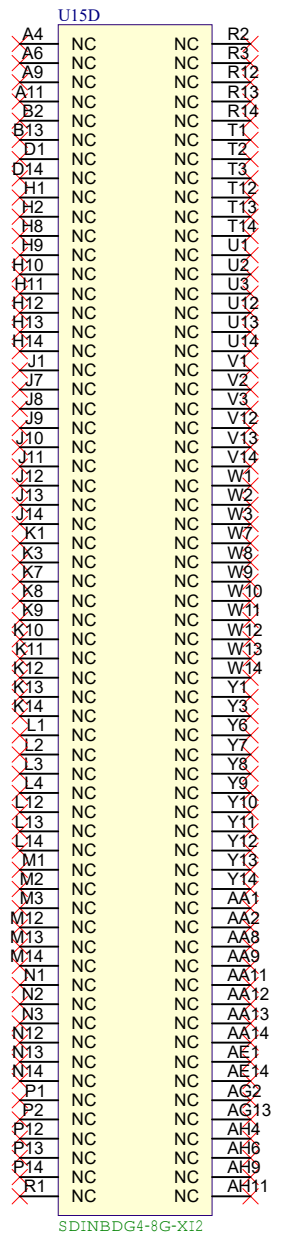




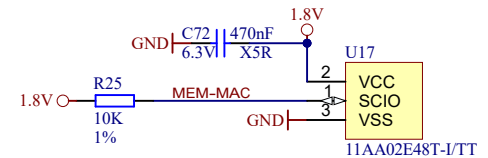
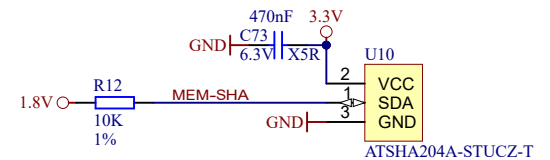
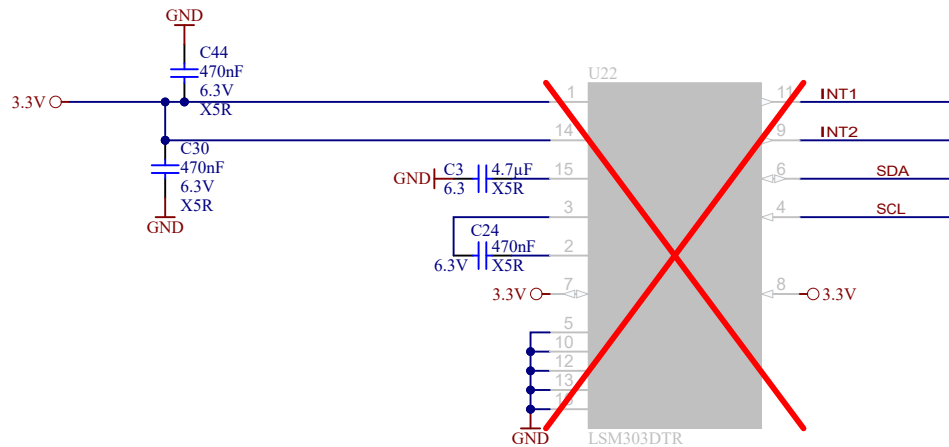
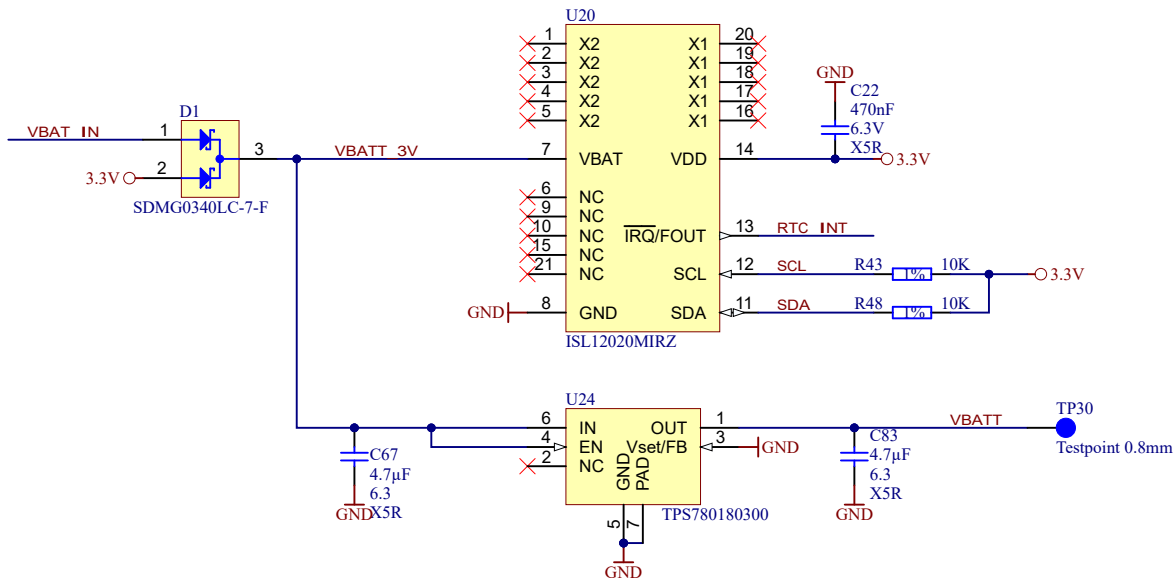
XC72020-L1CLG4841


	Title: GigaZee - B35	
	A4	Number: TE0720 64I63MA
	Date: 2015-10-12	Copyright: 2013 Trenz Electronic GmbH
	Rev. 03	Page9 of 15
Filename: B35.SchDoc		





Title: GigaZee - eNAND		
A4	Number: TE0720 64I63MA	Rev. 03
Date: 2015-10-12	Copyright: 2013 Trenz Electronic GmbH	Page 11 of 15
Filename: eMMC.SchDoc		



			Title: GigaZee - RTC, MEMS, SHA, MAC	
			A4	Number: TE0720 64I63MA
Date: 2015-10-12		Copyright: 2013 Trenz Electronic GmbH		Page 12 of 15
Filename: SENSOR-RTC.SchDoc				





