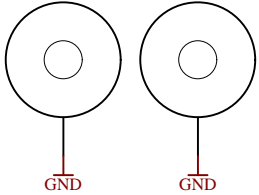
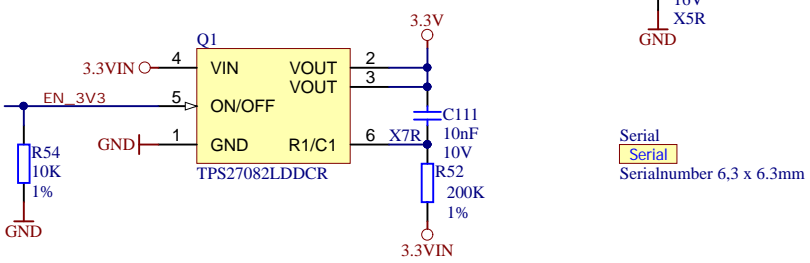
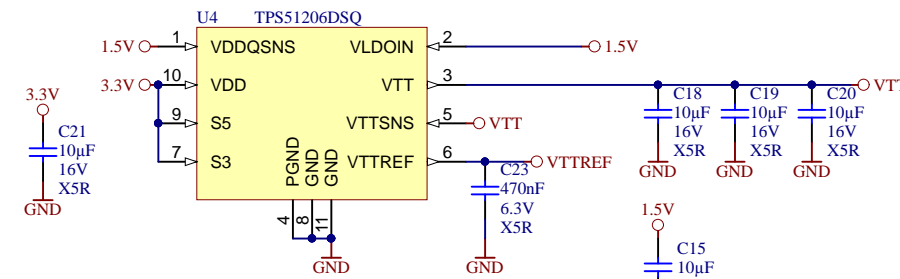
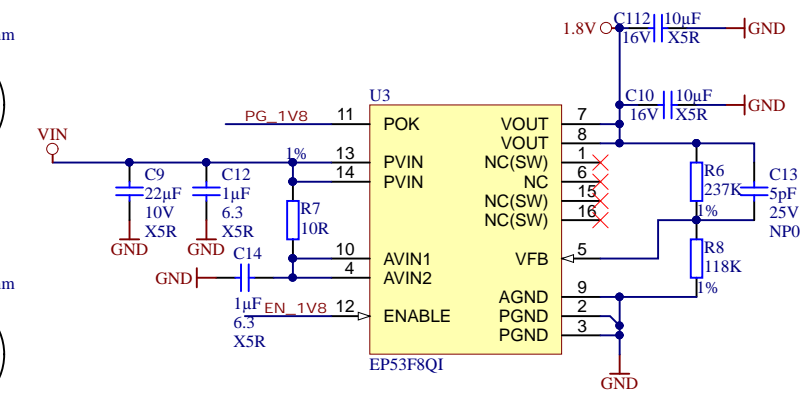
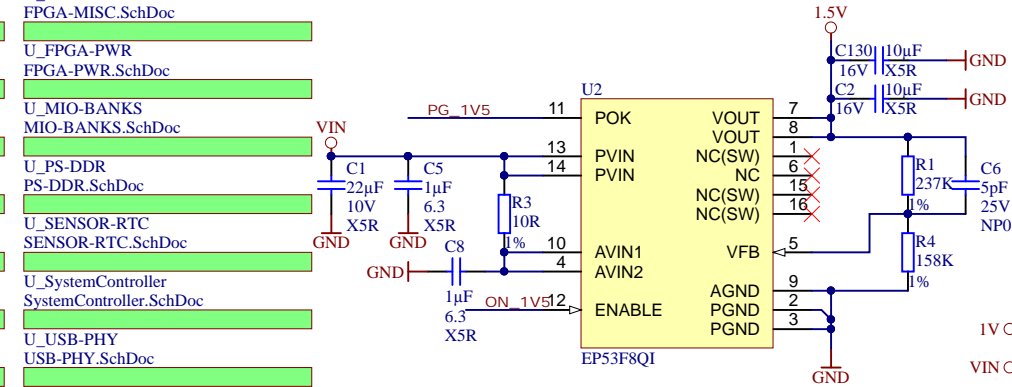
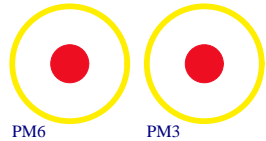
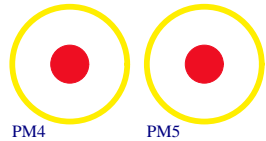
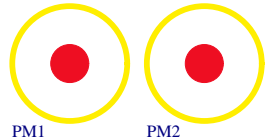
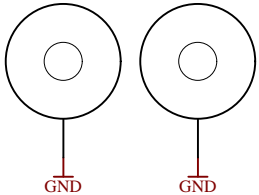


U_B2B-Connectors B2B-Connectors.SchDoc	U_FPGA-MISC FPGA-MISC.SchDoc
U_B13 B13.SchDoc	U_FPGA-PWR FPGA-PWR.SchDoc
U_B33-B34 B33-B34.SchDoc	U_MIO-BANKS MIO-BANKS.SchDoc
U_B35 B35.SchDoc	U_PS-DDR PS-DDR.SchDoc
U_DDR3-RAM DDR3-RAM.SchDoc	U_SENSOR-RTC SENSOR-RTC.SchDoc
U_eMMC eMMC.SchDoc	U_SystemController SystemController.SchDoc
U_ETH-PHY ETH-PHY.SchDoc	U_USB-PHY USB-PHY.SchDoc

Mount.Hole 3.2mm Mount.Hole 3.2mm

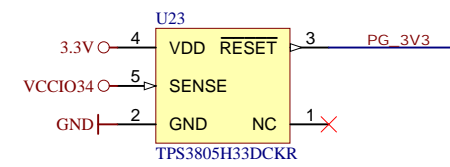
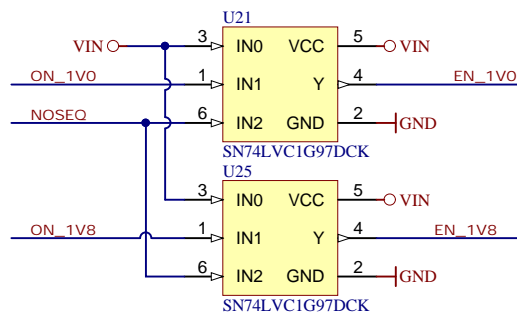
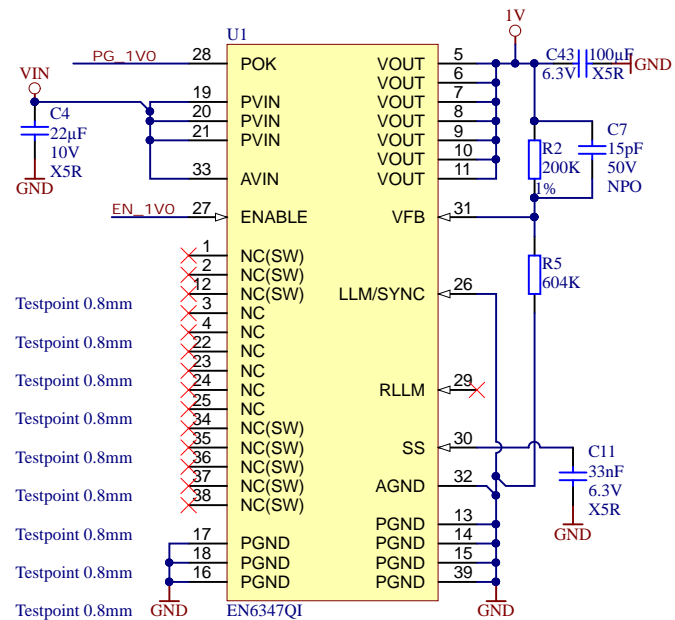


Mount.Hole 3.2mm Mount.Hole 3.2mm

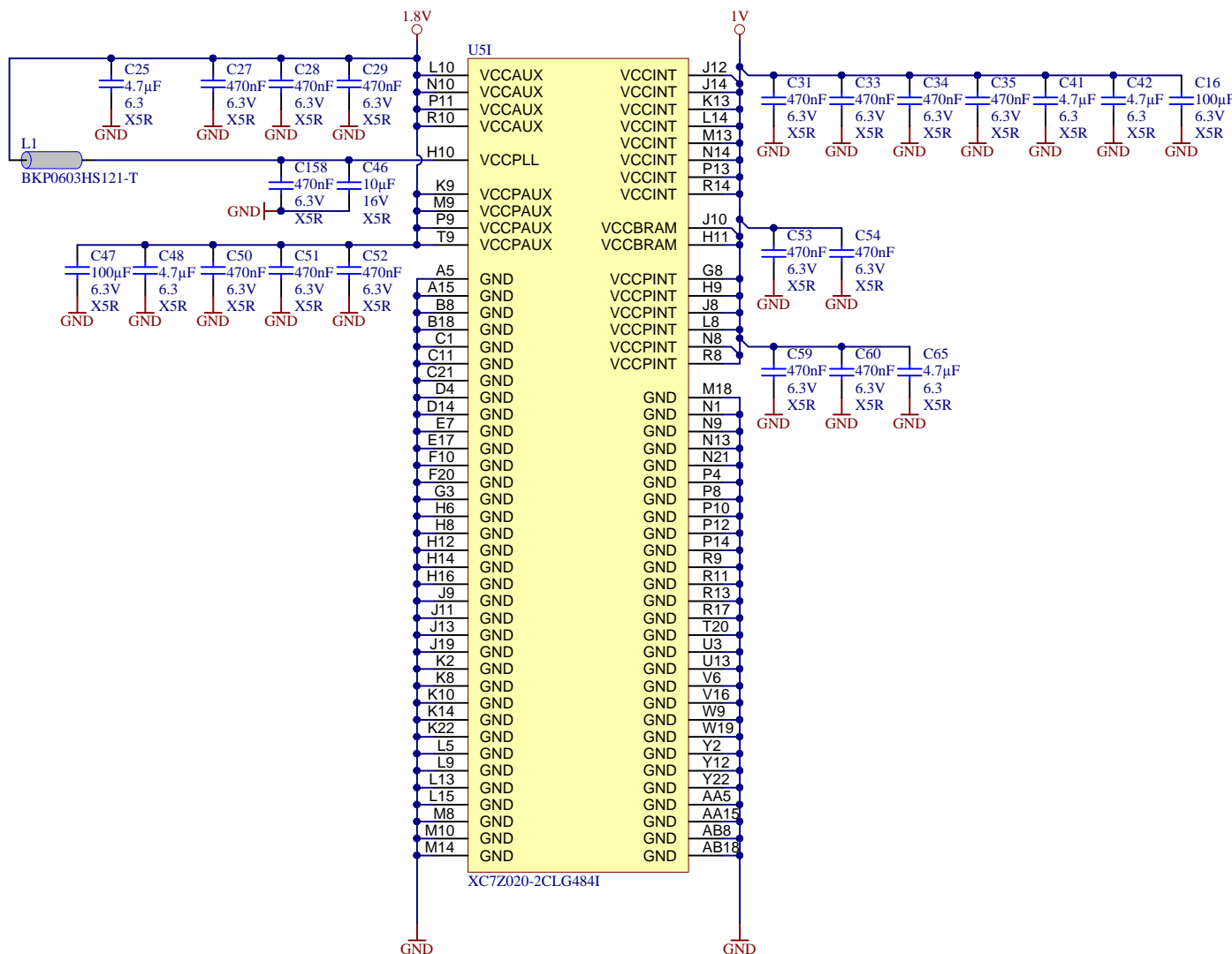



Serial
Serial
Serialnumber 6,3 x 6,3mm

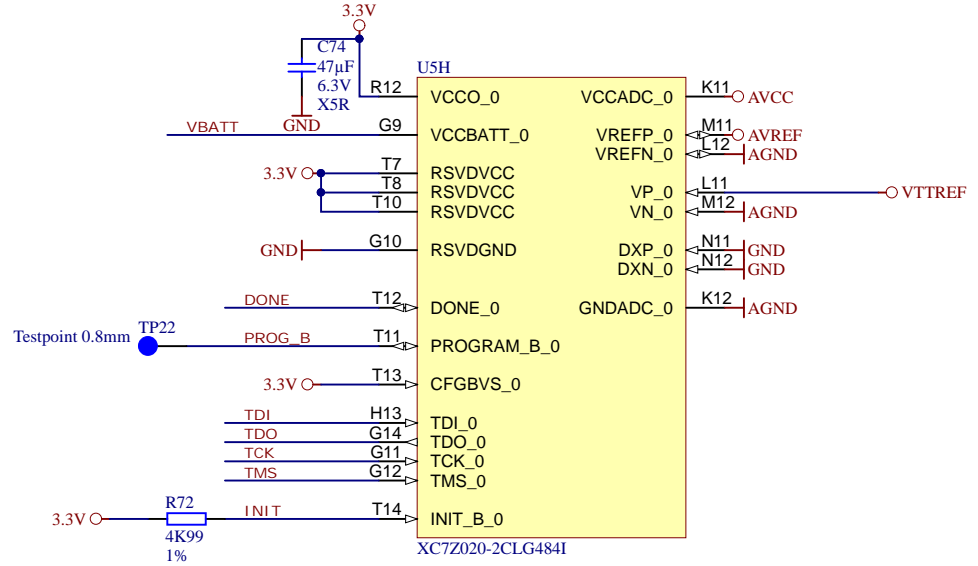
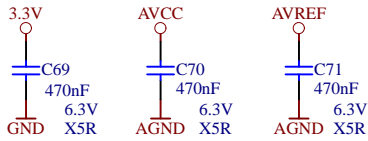
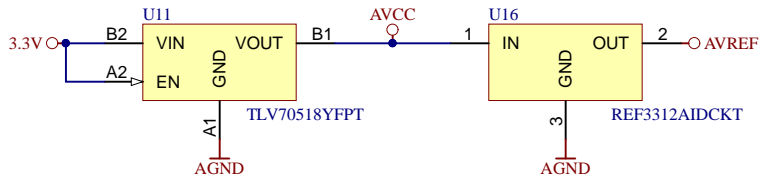
- 1V TP1 Testpoint 0.8mm
- VIN TP2 Testpoint 0.8mm
- 1.5V TP3 Testpoint 0.8mm
- 1.8V TP4 Testpoint 0.8mm
- VTT TP5 Testpoint 0.8mm
- VTTREF TP6 Testpoint 0.8mm
- 3.3V IN TP7 Testpoint 0.8mm
- VCCIO13 TP9 Testpoint 0.8mm
- VCCIO33 TP10 Testpoint 0.8mm
- VCCIO34 TP11 Testpoint 0.8mm
- VCCIO35 TP12 Testpoint 0.8mm
- AVCC TP13 Testpoint 0.8mm
- AVREF TP14 Testpoint 0.8mm
- AGND TP15 Testpoint 0.8mm
- GND TP16 Testpoint 0.8mm
- GND TP17 Testpoint 0.8mm
- GND TP18 Testpoint 0.8mm
- GND TP19 Testpoint 0.8mm
- GND TP20 Testpoint 0.8mm



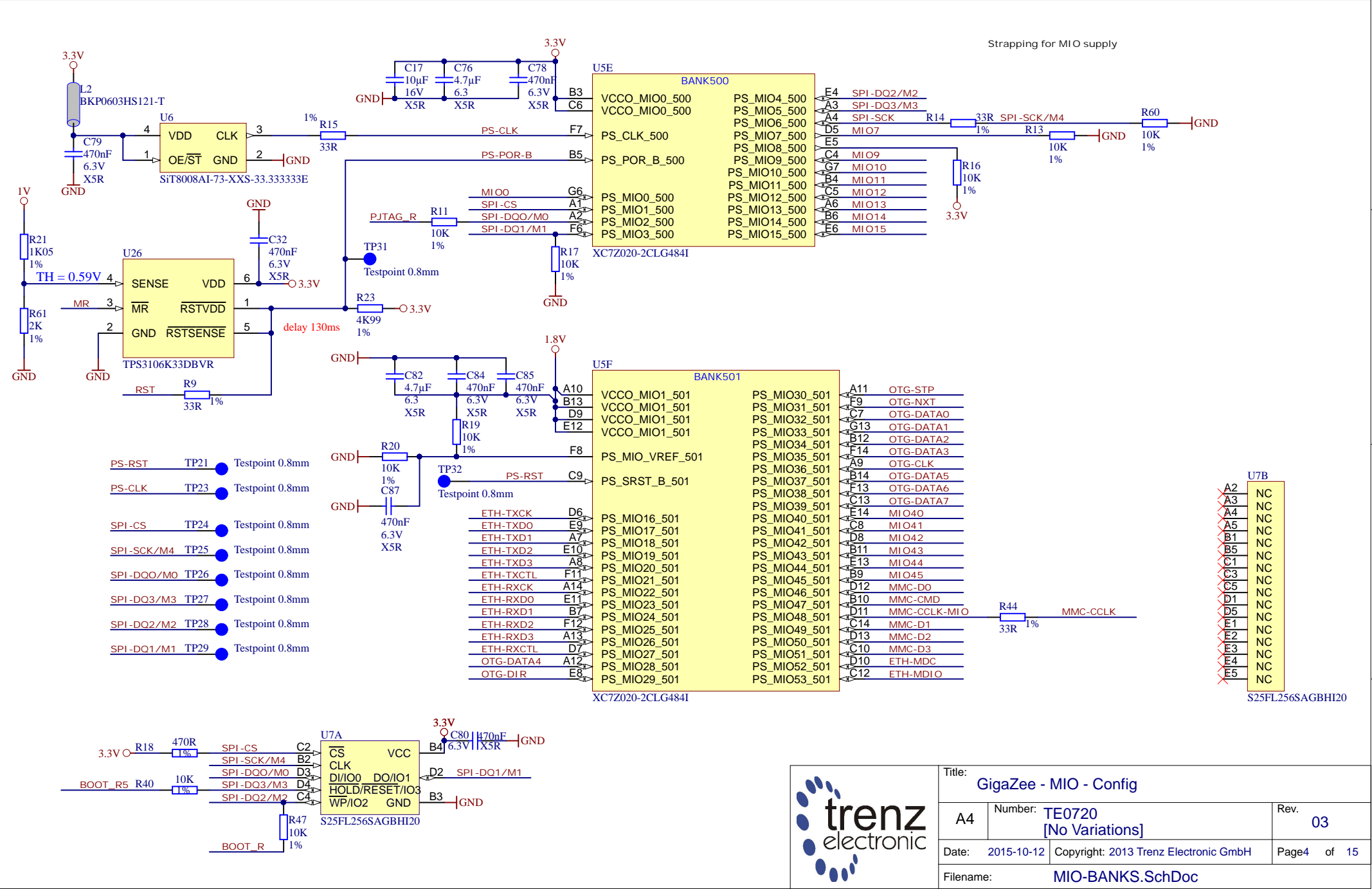
Title: GigaZee - Power		
A4	Number: TE0720 [No Variations]	Rev. 03
Date: 2015-10-12	Copyright: 2013 Trenz Electronic GmbH	Page1 of 15
Filename: TE0720.SchDoc		

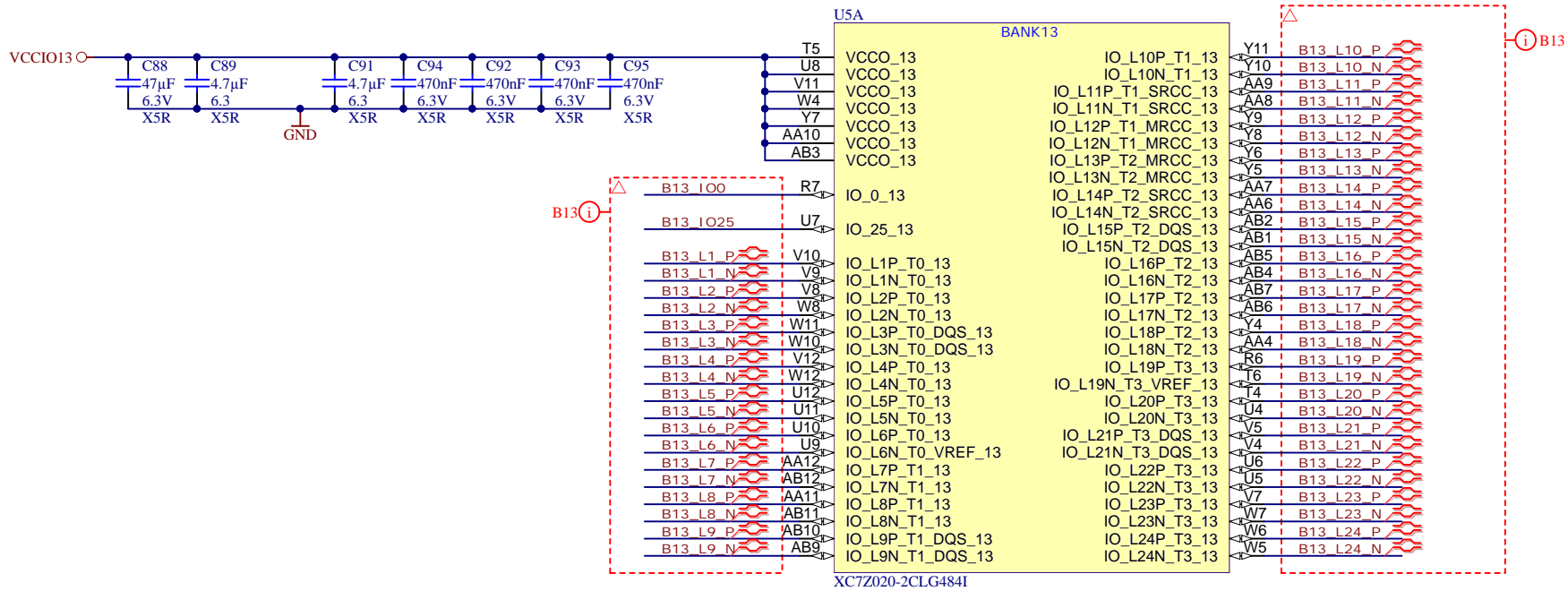
Title: GigaZee - FPGA Power		
A4	Number: TE0720 [No Variations]	Rev. 03
Date: 2015-10-12	Copyright: 2013 Trenz Electronic GmbH	Page2 of 15
Filename: FPGA-PWR.SchDoc		



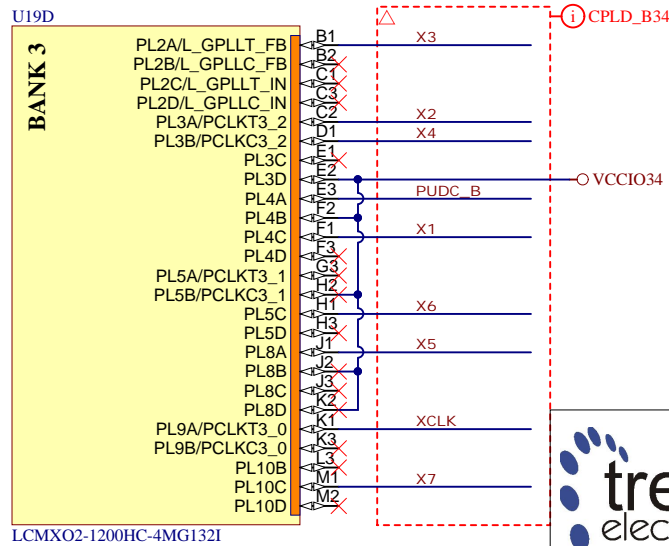
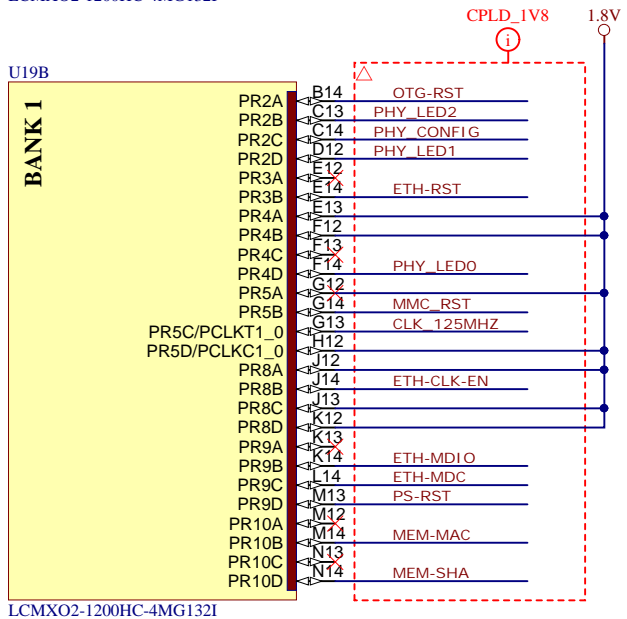
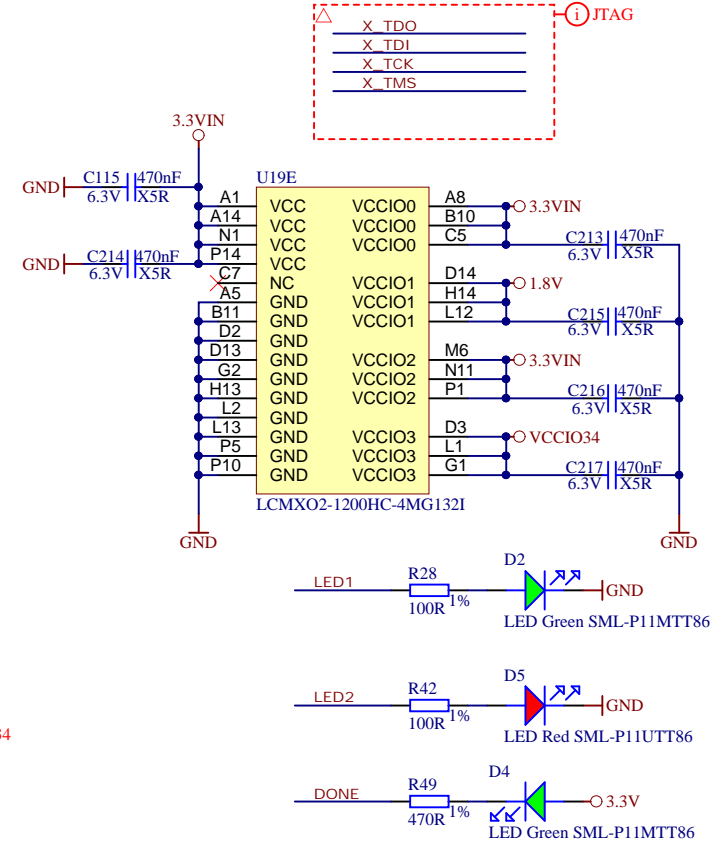
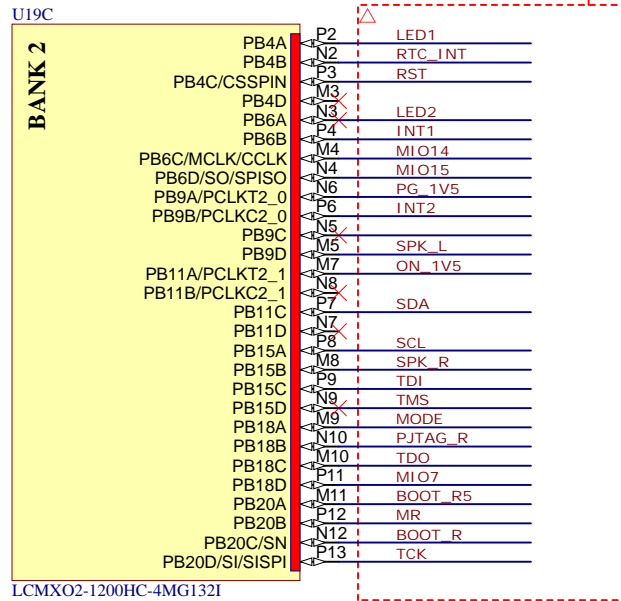
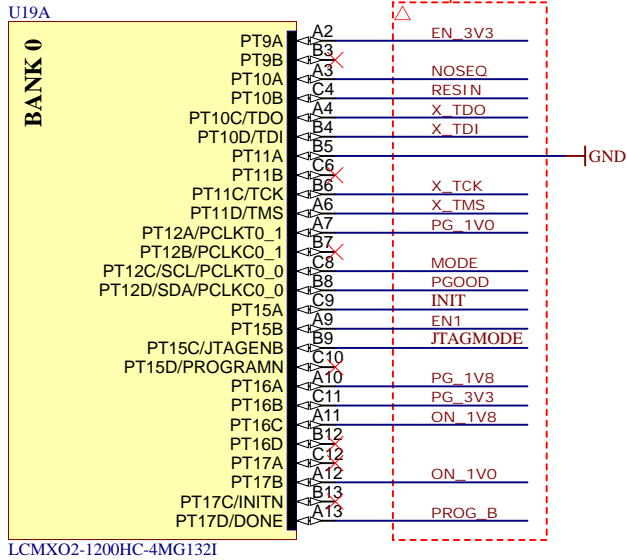
	Title: GigaZee - B0		
	A4	Number: TE0720 [No Variations]	Rev. 03
	Date: 2015-10-12	Copyright: 2013 Trenz Electronic GmbH	Page3 of 15
	Filename: FPGA-MISC.SchDoc		



Title: GigaZee - MIO - Config		
A4	Number: TE0720 [No Variations]	Rev. 03
Date: 2015-10-12	Copyright: 2013 Trenz Electronic GmbH	Page4 of 15
Filename: MIO-BANKS.SchDoc		



Title: GigaZee - B13		
A4	Number: TE0720 [No Variations]	Rev. 03
Date: 2015-10-12	Copyright: 2013 Trenz Electronic GmbH	Page5 of 15
Filename: B13.SchDoc		



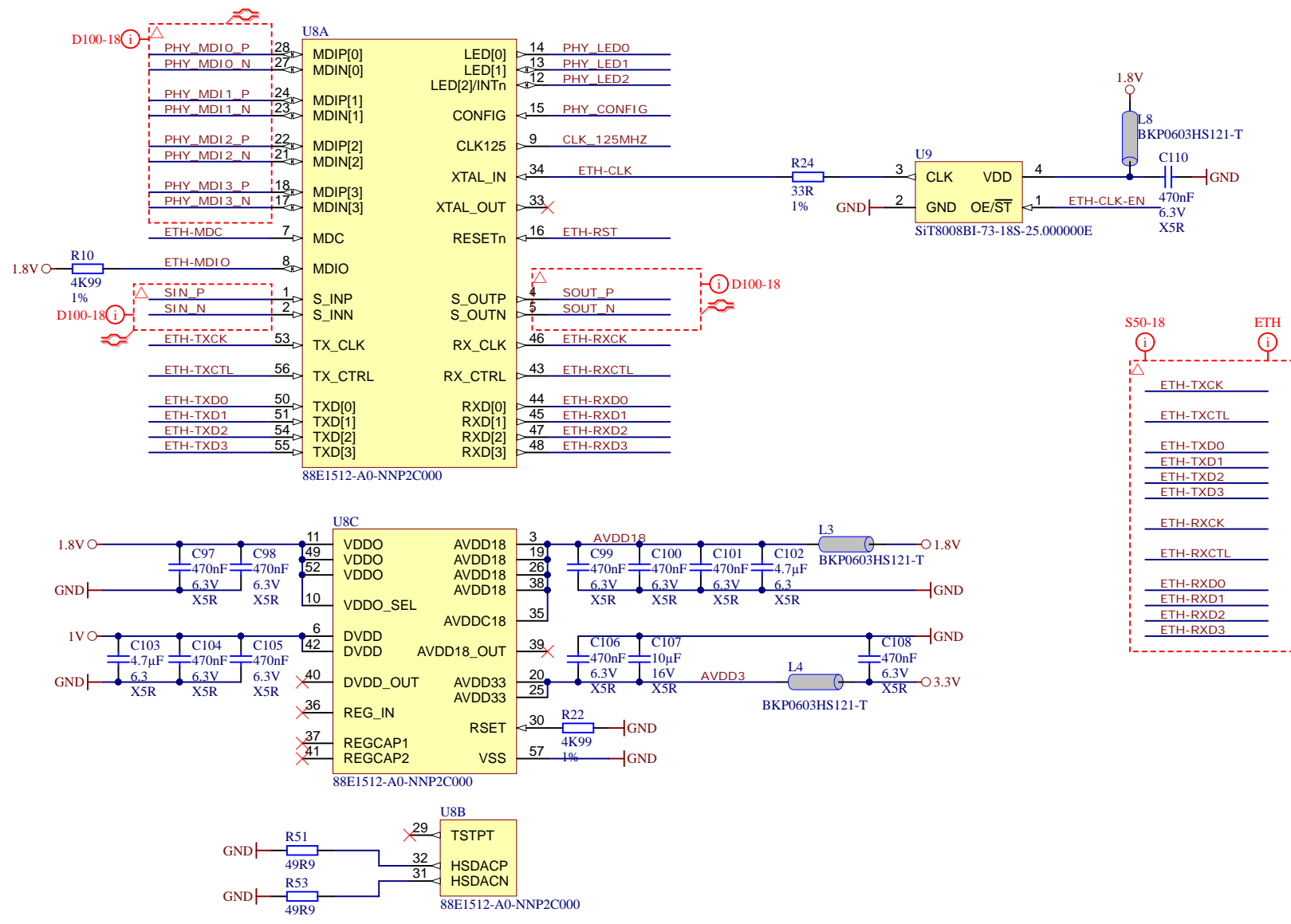
Title: GigaZee - System Controller		
A4	Number: TE0720 [No Variations]	Rev. 03
Date: 2015-10-12	Copyright: 2013 Trenz Electronic GmbH	Page6 of 15
Filename: SystemController.SchDoc		


A

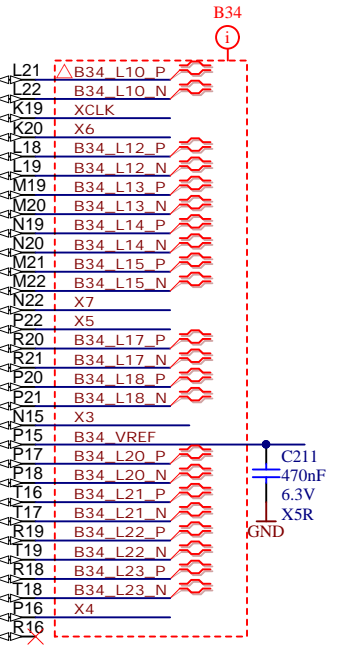
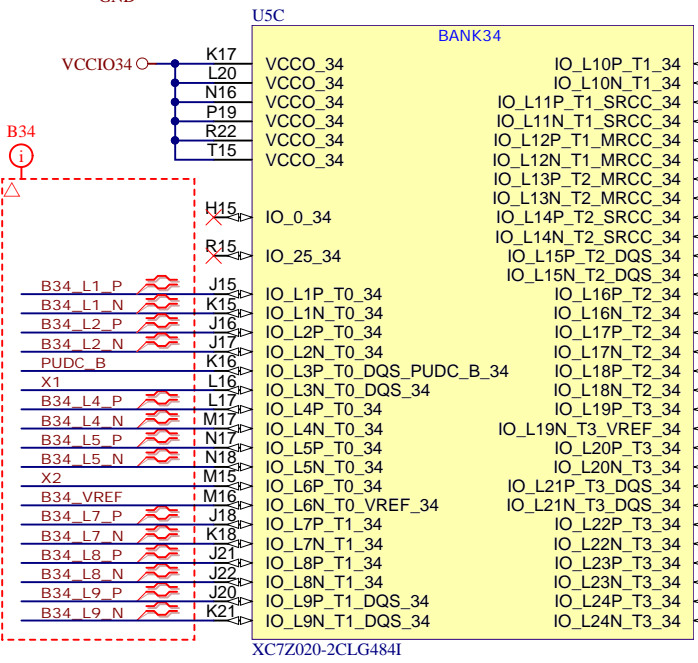
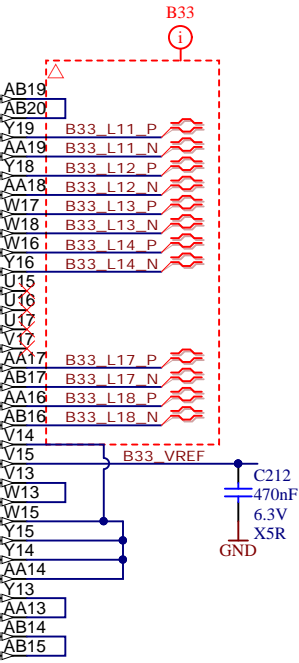
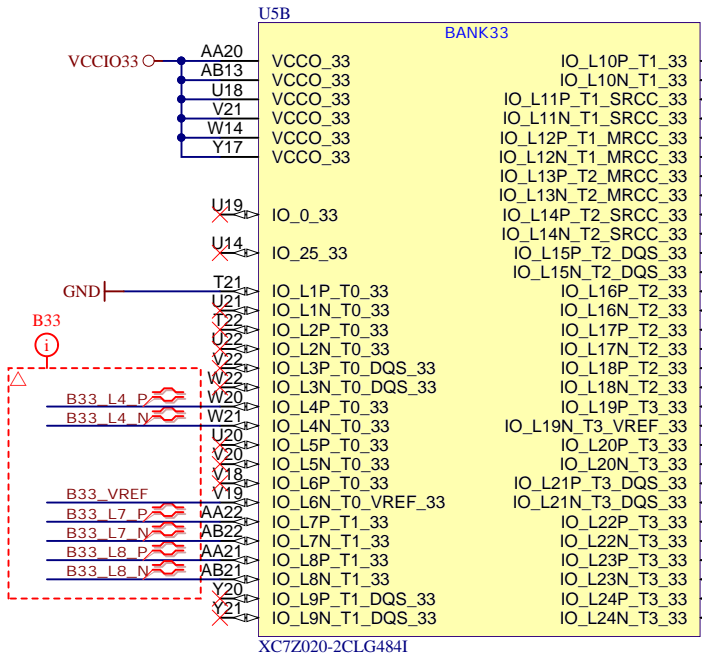
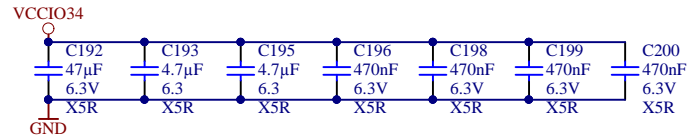
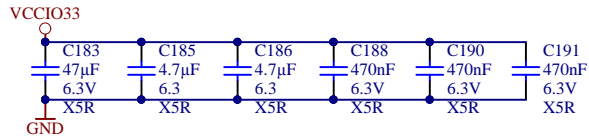
B

C

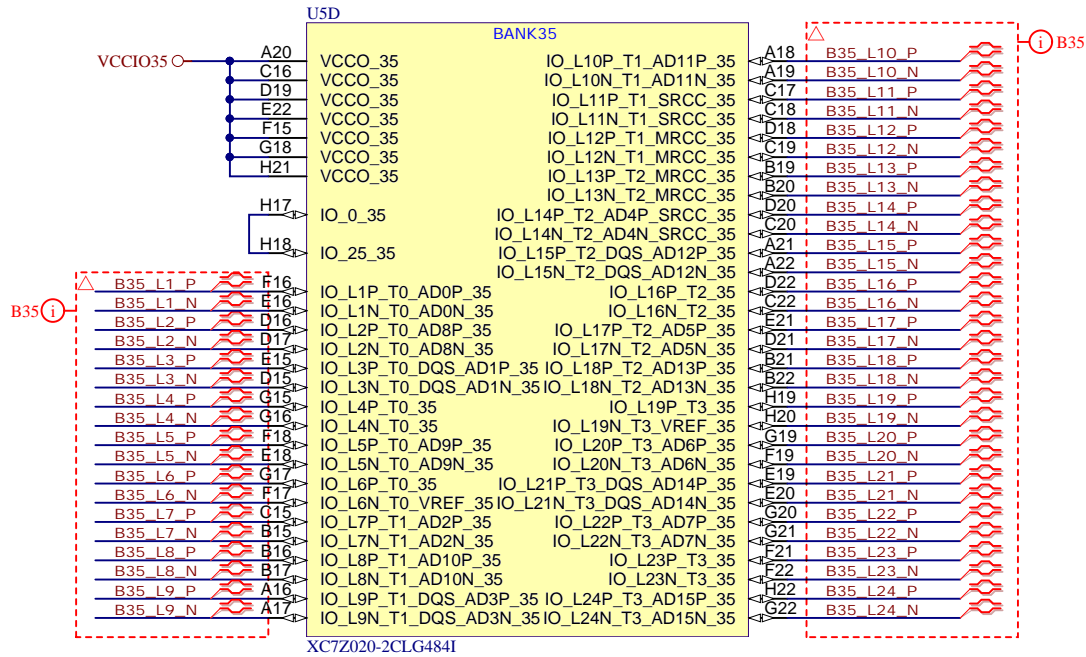
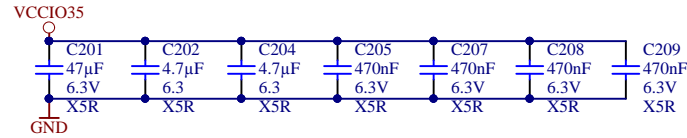
D



			Title: GigaZee - Ethernet	
			A4	Number: TE0720 [No Variations]
Date: 2015-10-12		Copyright: 2013 Trenz Electronic GmbH		Page 7 of 15
Filename: ETH-PHY.SchDoc				



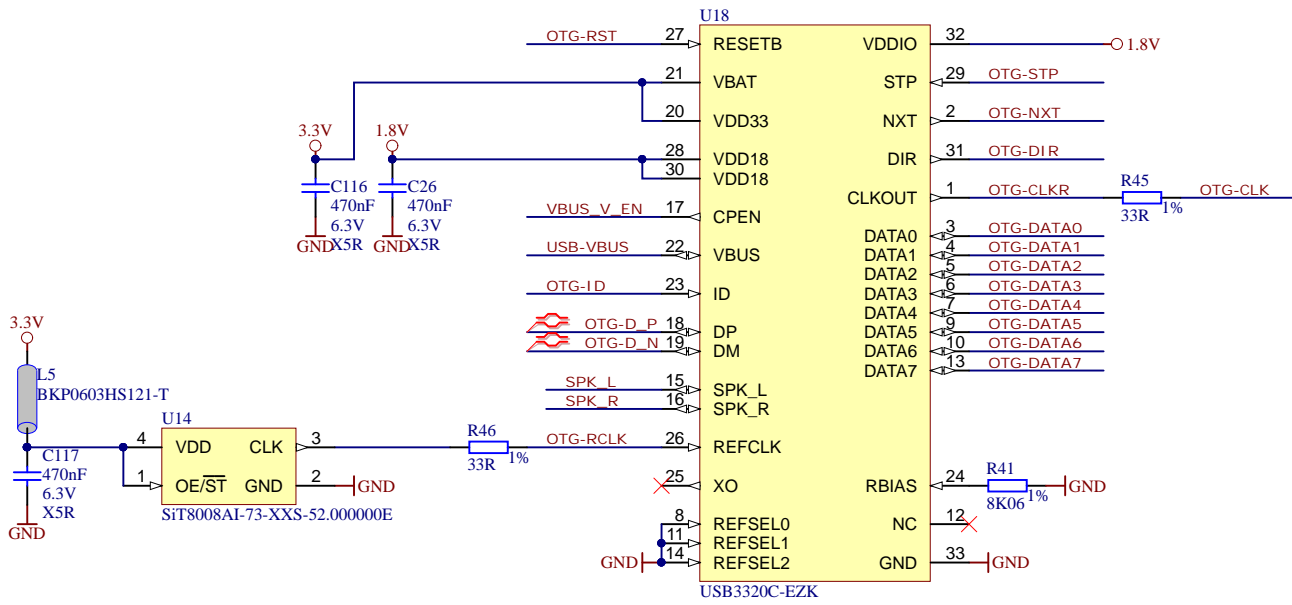
Title: GigaZee - B33 - B34		
A4	Number: TE0720 [No Variations]	Rev. 03
Date: 2015-10-12	Copyright: 2013 Trenz Electronic GmbH	Page8 of 15
Filename: B33-B34.SchDoc		



XC7Z020-2CLG484I



Title: GigaZee - B35		
A4	Number: TE0720 [No Variations]	Rev. 03
Date: 2015-10-12	Copyright: 2013 Trenz Electronic GmbH	Page9 of 15
Filename: B35.SchDoc		



	Title: GigaZee - USB		
	A4	Number: TE0720 [No Variations]	Rev. 03
	Date: 2015-10-12	Copyright: 2013 Trenz Electronic GmbH	Page 10 of 15
	Filename: USB-PHY.SchDoc		

A

B

C

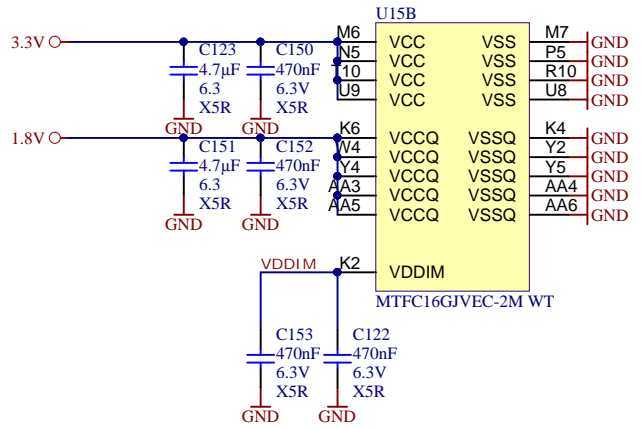
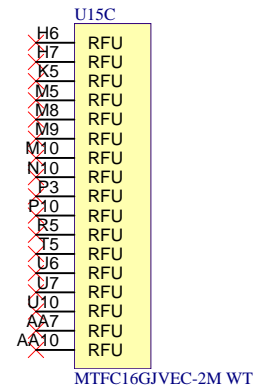
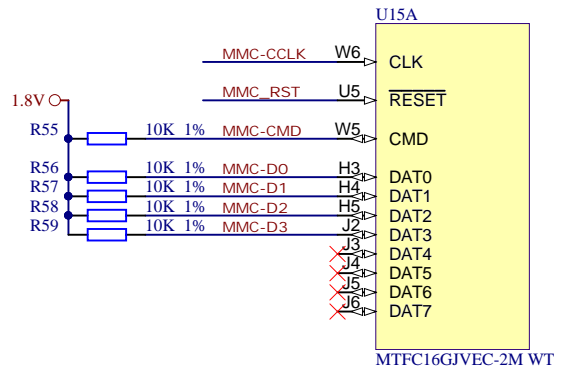
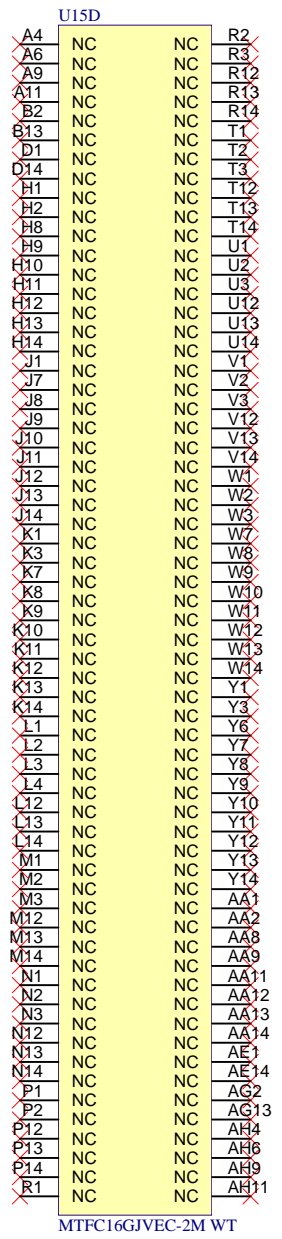
D

A

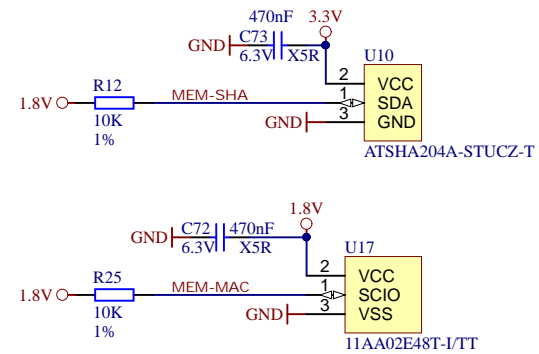
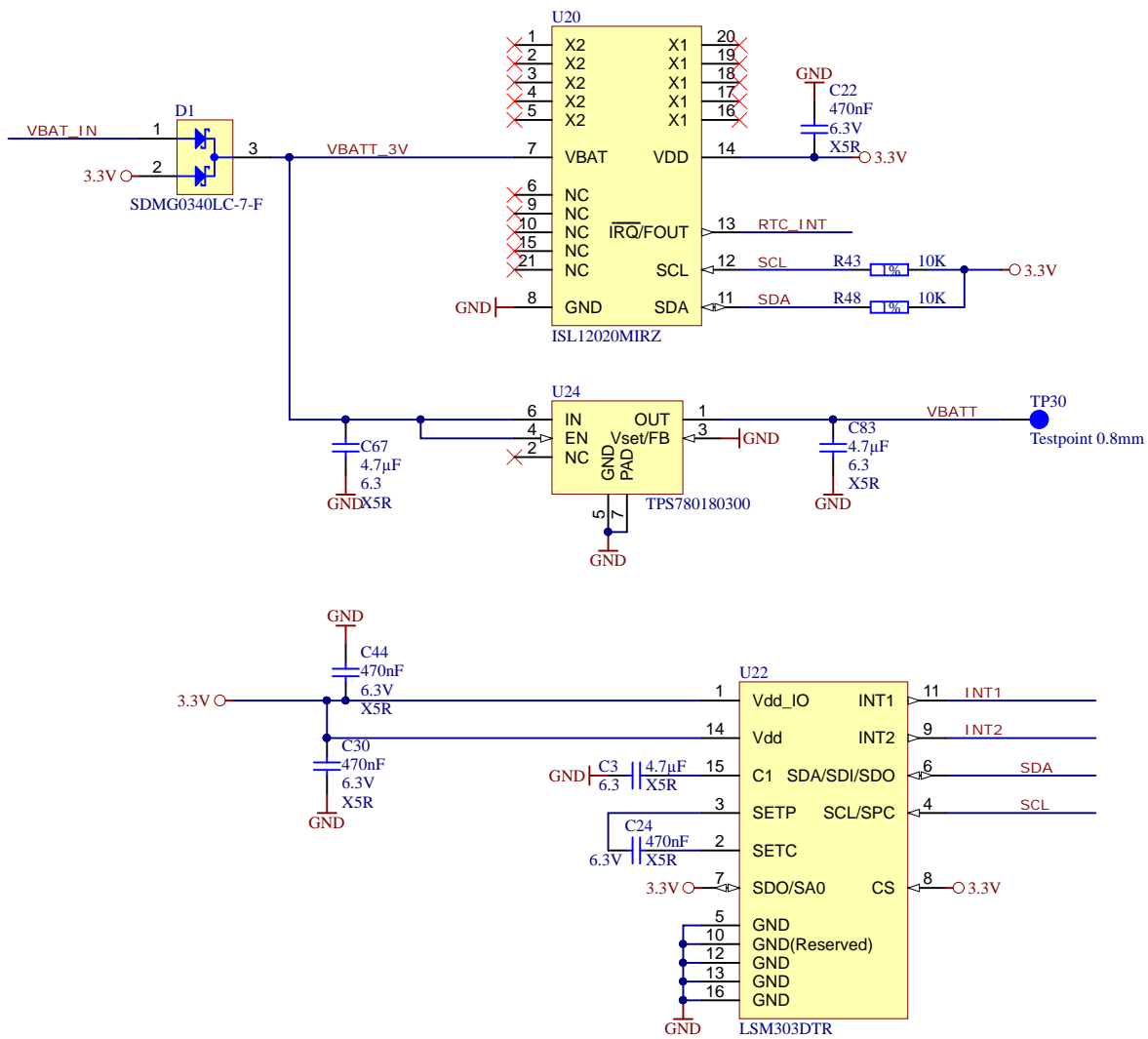
B

C

D



Title: GigaZee - eNAND		
A4	Number: TE0720 [No Variations]	Rev. 03
Date: 2015-10-12	Copyright: 2013 Trenz Electronic GmbH	Page 11 of 15
Filename: eMMC.SchDoc		



Title: GigaZee - RTC, MEMS, SHA, MAC		
A4	Number: TE0720 [No Variations]	Rev. 03
Date: 2015-10-12	Copyright: 2013 Trenz Electronic GmbH	Page 12 of 15
Filename: SENSOR-RTC.SchDoc		

A

A

B

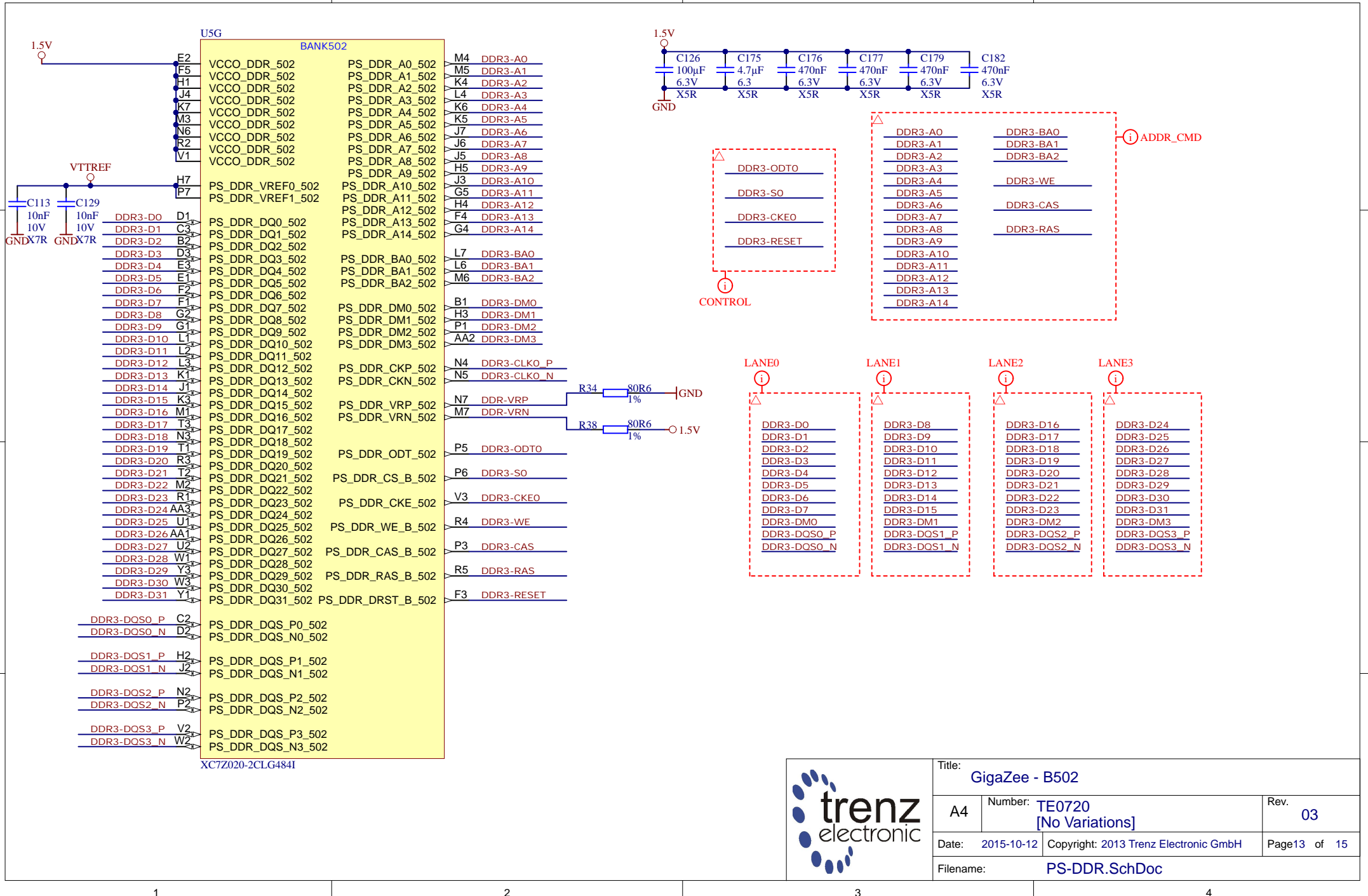
B

C

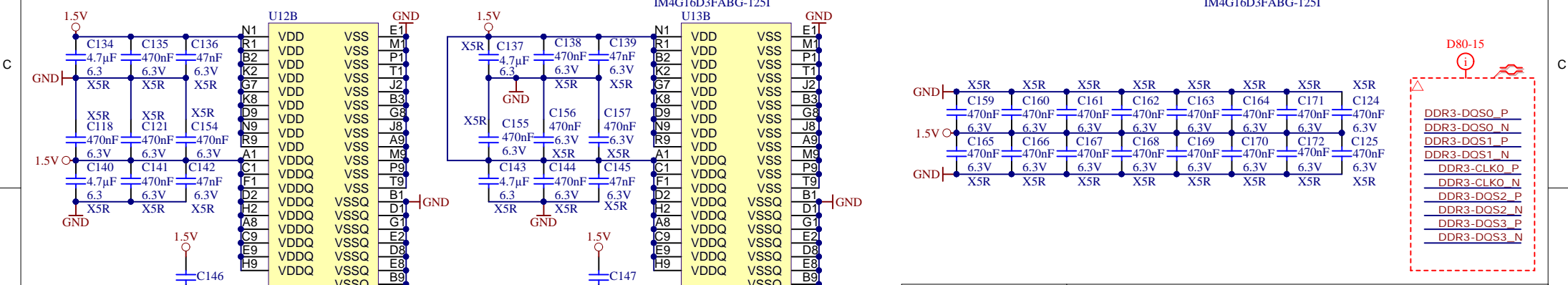
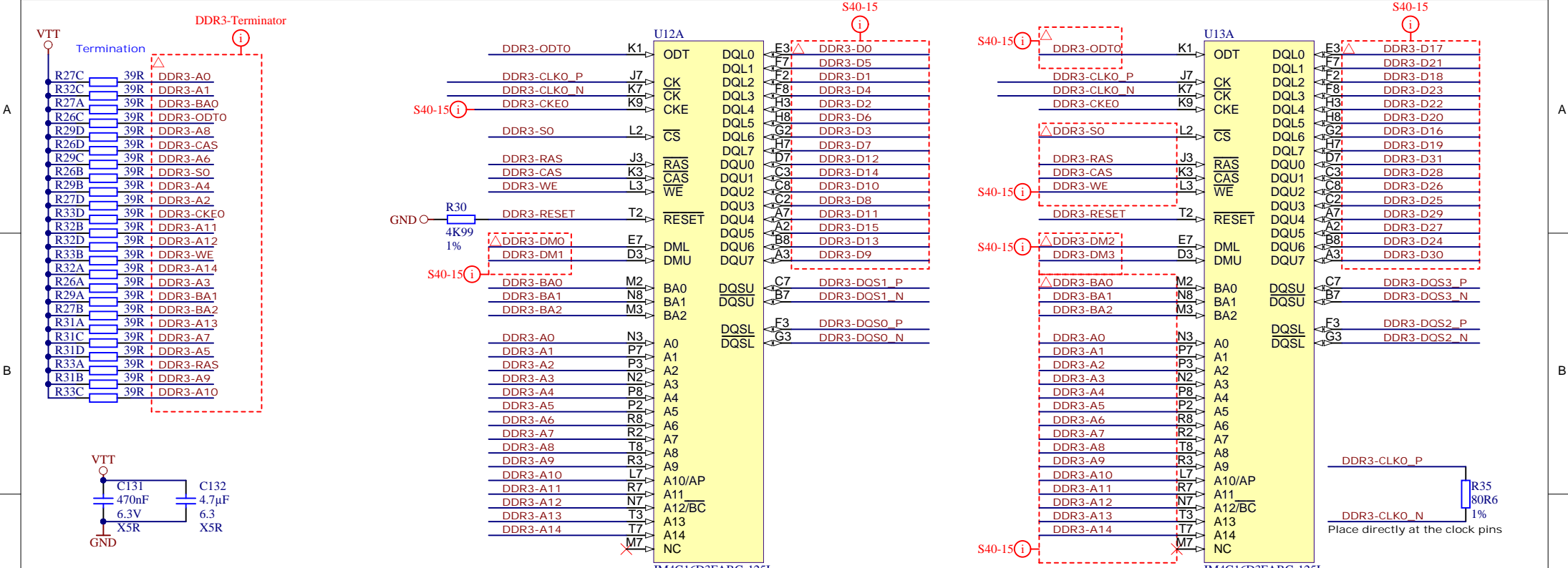
C

D

D



Title: GigaZee - B502		
A4	Number: TE0720 [No Variations]	Rev. 03
Date: 2015-10-12	Copyright: 2013 Trenz Electronic GmbH	Page 13 of 15
Filename: PS-DDR.SchDoc		



Title: GigaZee - DDR3		
A4	Number: TE0720 [No Variations]	Rev. 03
Date: 2015-10-12	Copyright: 2013 Trenz Electronic GmbH	Page 14 of 15
Filename: DDR3-RAM.SchDoc		

A

B

C

D

A

B

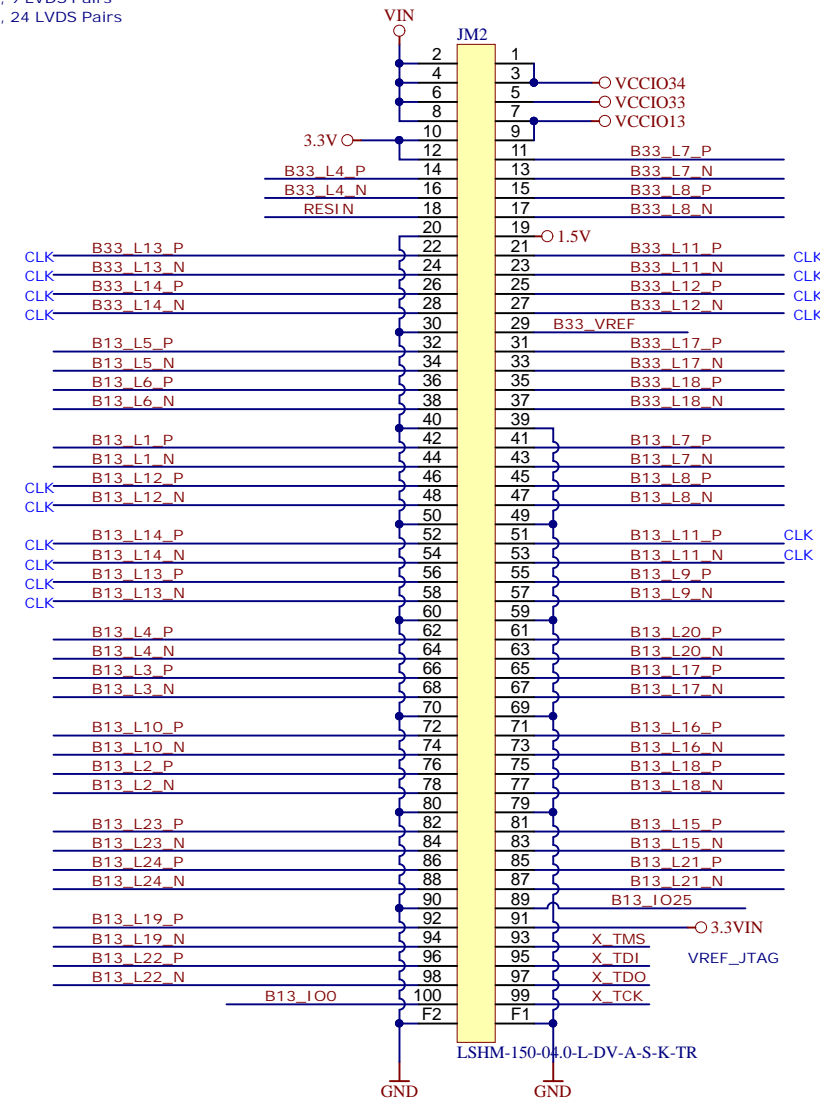
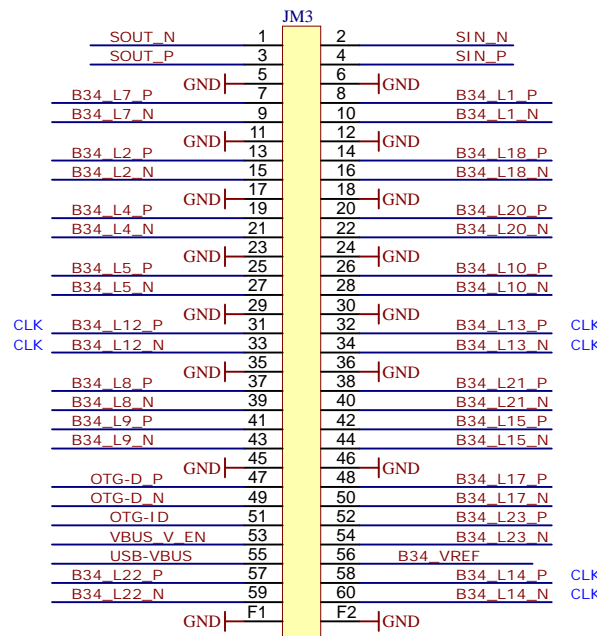
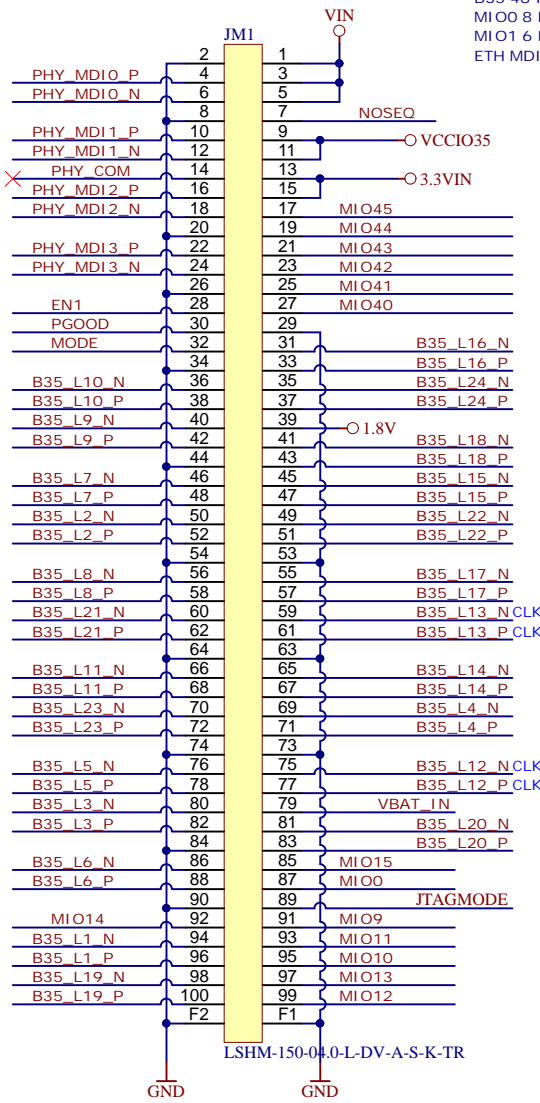
C

D

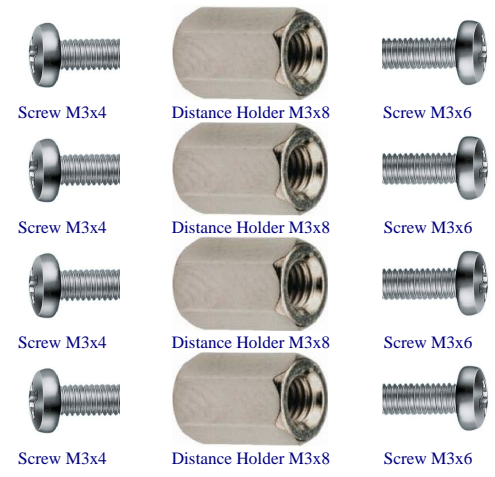
B35 48 IO, 24 LVDS Pairs
MIO0 8 IO, 3.3V
MIO1 6 IO 1.8V
ETH MDI Copper

B34 36 IO, 18 LVDS Pairs
USB OTG
ETH SGMII

B33 18 IO, 9 LVDS Pairs
B13 48 IO, 24 LVDS Pairs
B13 2 IO



Top of Board



Title: GigaZee - B2B Connector		
A4	Number: TE0720 [No Variations]	Rev. 03
Date: 2015-10-12	Copyright: 2013 Trenz Electronic GmbH	Page 15 of 15
Filename: B2B-Connectors.SchDoc		