

U_B12	BI2.SchDoc
U_B13	BI3.SchDoc
U_B14	BI4.SchDoc
U_B15	BI5.SchDoc
U_B16	BI6.SchDoc
U_B34	B34.SchDoc

U_FPGA-MGT	FPGA-MGT.SchDoc
U_FPGA-CFG	FPGA-CFG.SchDoc
U_FPGA-MISC	FPGA-MISC.SchDoc
U_FPGA-PWR	FPGA-PWR.SchDoc

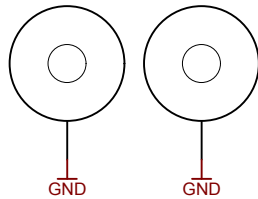
U_PWR1	PWR1.SchDoc
U_PWR2	PWR2.SchDoc

U_Clock	Clock.SchDoc
---------	--------------

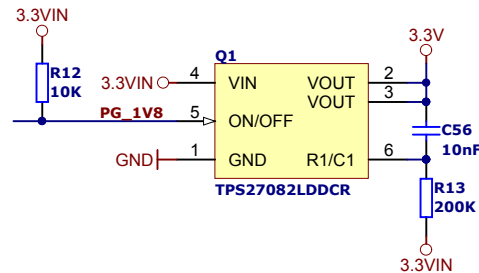
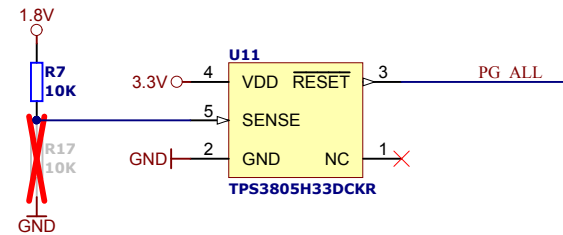
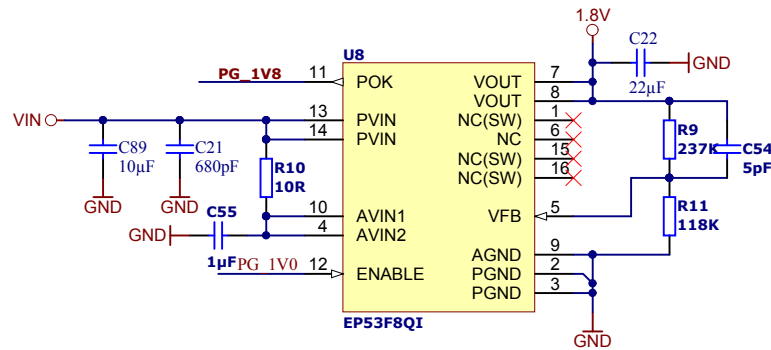
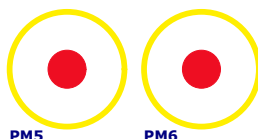
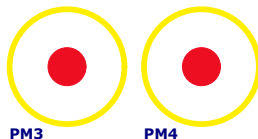
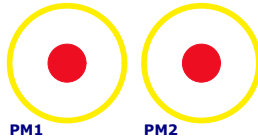
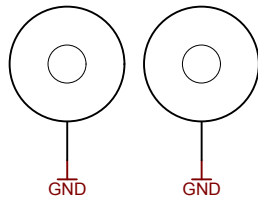
U_B2B-Connectors	B2B-Connectors.SchDoc
------------------	-----------------------

U_B33	B33.SchDoc
-------	------------

Mount.Hole 3.2mm Mount.Hole 3.2mm



Mount.Hole 3.2mm Mount.Hole 3.2mm

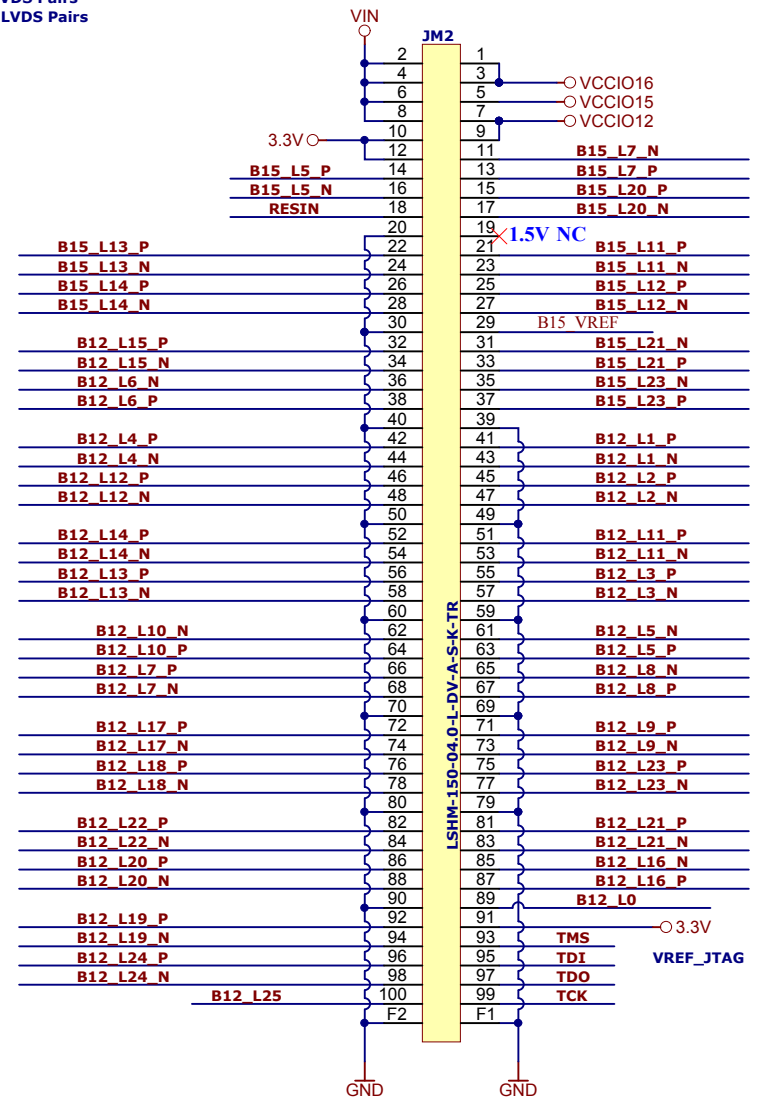
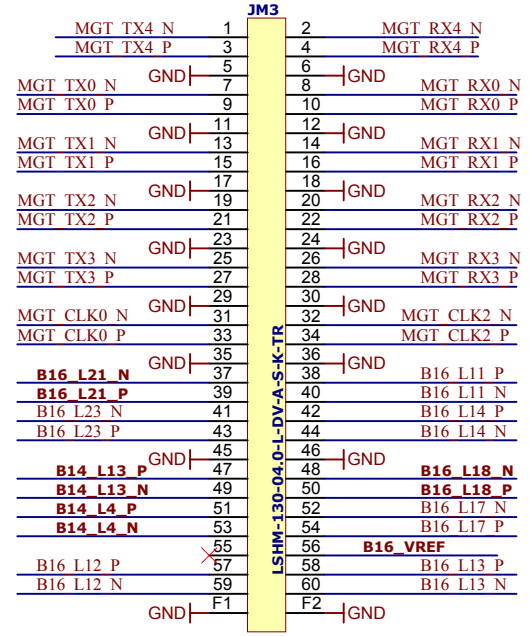
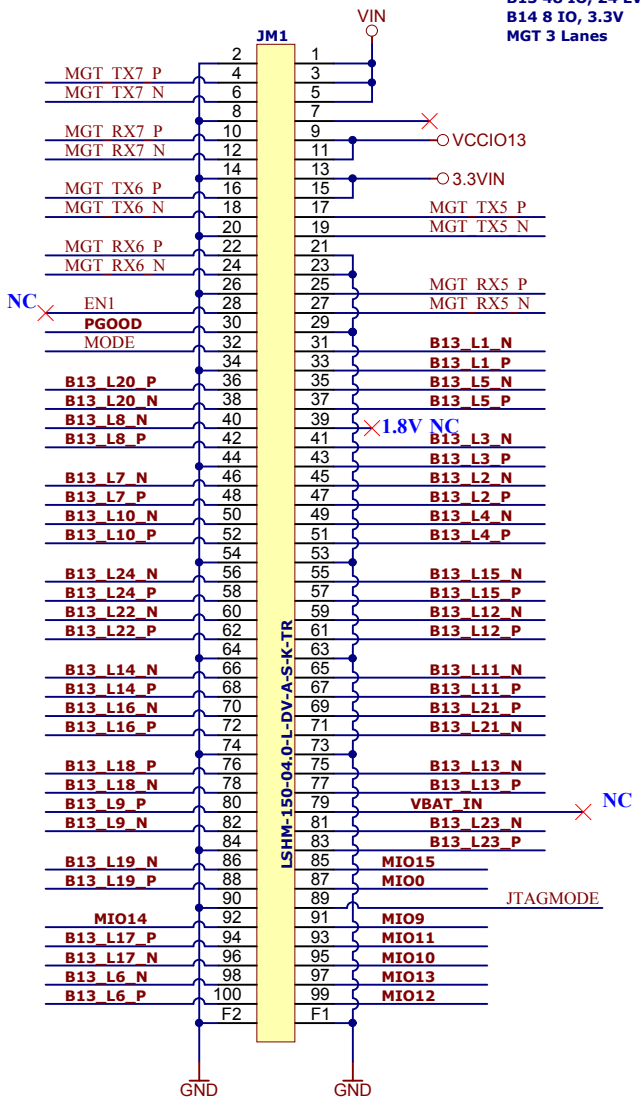


Title: TE0741		
A4	Number: TE0741 TE0741-00-325-2CF	Rev. 01
Date: 2013-11-06	Copyright: 2013 Trenz Electronic GmbH	Page1 of 15
Filename: TE0741.SchDoc		

B13 48 IO, 24 LVDS Pairs
B14 8 IO, 3.3V
MGT 3 Lanes

B16 16 IO, 8 LVDS Pairs
MGT 4 + 1 Lanes
B14 4 IO, 3.3V

B15 18 IO, 9 LVDS Pairs
B12 48 IO, 24 LVDS Pairs
B12 2 IO



TE0720 Compatibility

MIO0 8 pins => 8 IO B14
 USB D+,D-, vbusen,otg_id => 4 IO B14
 SGMII => MGT
 MIO1(SDCARD) => MGT
 ETH MDI => MGT
 B34 => B16, MGT
 B35 => B13
 B13 => B12
 B33 => B15

Clock Capable I/O
 All pins named
 Bxx_11_X
 Bxx_12_X
 Bxx_13_X
 Bxx_14_X
 Are Clock Capable I/O's

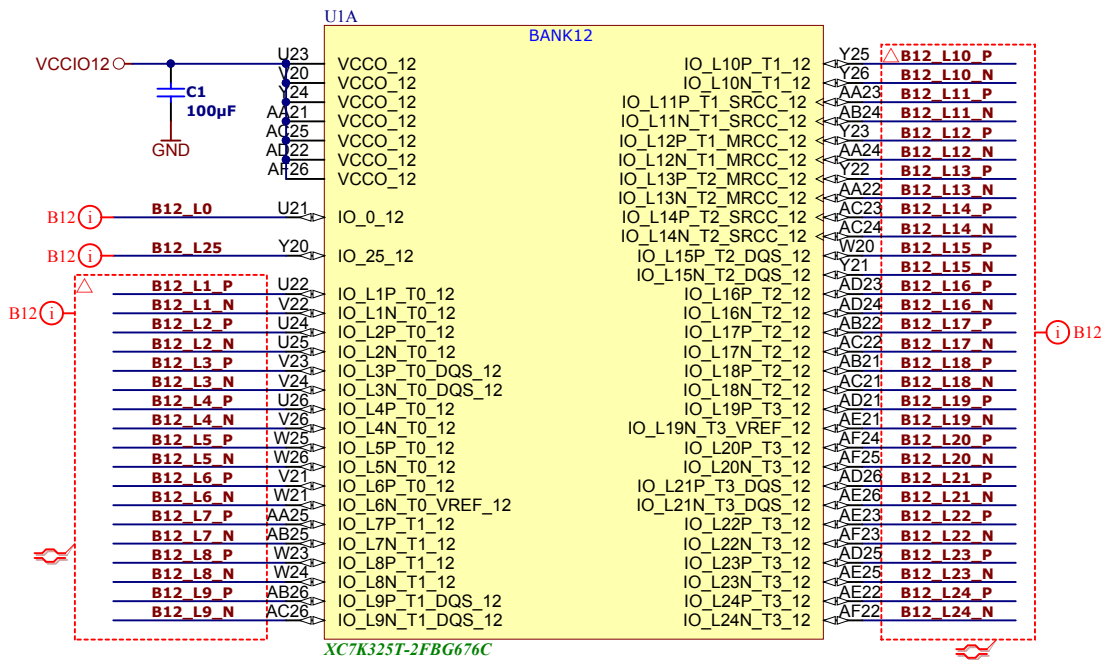


Title: TE0741		
A4	Number: TE0741 TE0741-00-325-2CF	Rev. 01
Date: 2013-11-06	Copyright: 2013 Trenz Electronic GmbH	Page2 of 15
Filename: B2B-Connectors.SchDoc		

B12_FIXED (i) △

B12 L11 P
B12 L11 N
B12 L12 P
B12 L12 N
B12 L13 P
B12 L13 N
B12 L14 P
B12 L14 N
B12 L19 P
B12 L19 N
B12 L6 P
B12 L6 N

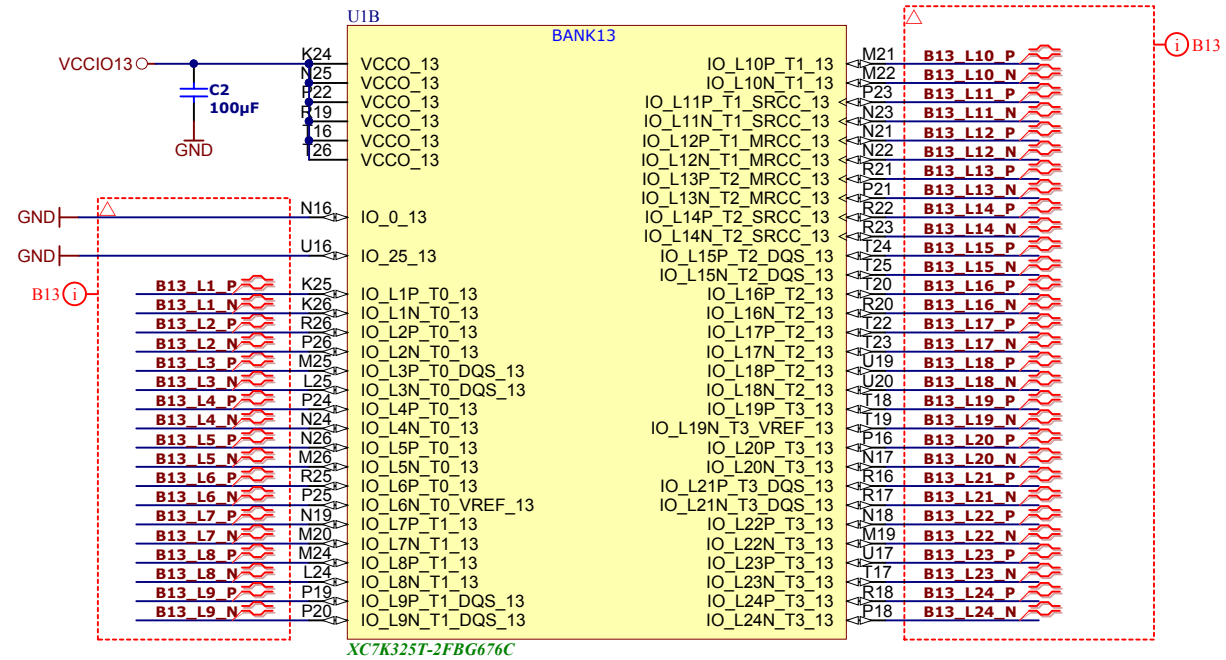
K70T version does not have this bank!



	Title: TE0741		
	A4	Number: TE0741 TE0741-00-325-2CF	Rev. 01
	Date: 2013-11-06	Copyright: 2013 Trenz Electronic GmbH	Page3 of 15
	Filename: B12.SchDoc		

B13_FIXED (i)

- B13_L11_P
- B13_L11_N
- B13_L12_P
- B13_L12_N
- B13_L13_P
- B13_L13_N
- B13_L14_P
- B13_L14_N
- B13_L6_P
- B13_L6_N
- B13_L19_P
- B13_L19_N



	Title: TE0741		
	A4	Number: TE0741 TE0741-00-325-2CF	Rev. 01
	Date: 2013-11-06	Copyright: 2013 Trenz Electronic GmbH	Page 4 of 15
	Filename: B13.SchDoc		

1

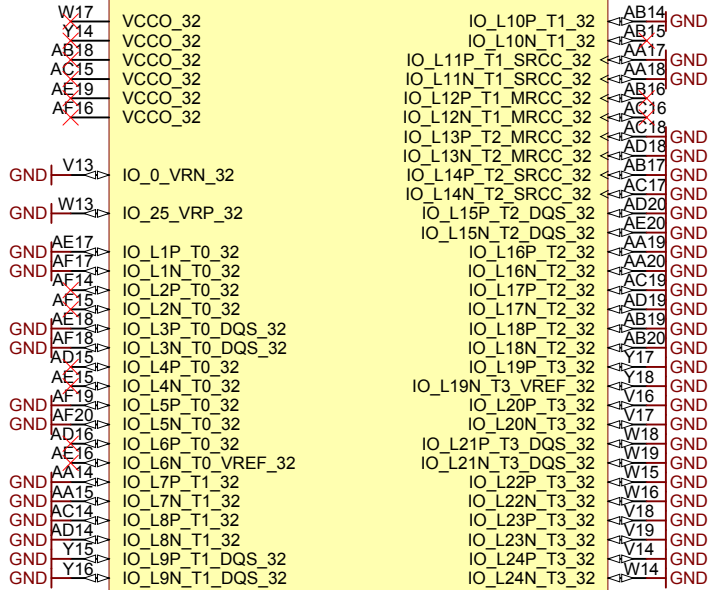
2

3

4

UIF

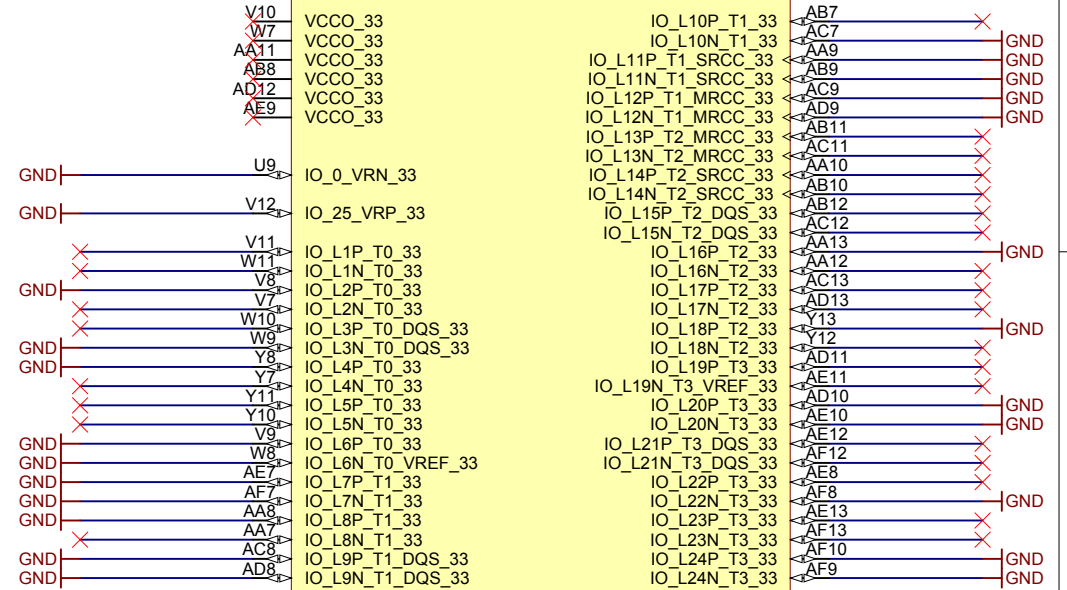
BANK32




XC7K325T-2FBG676C

UIG

BANK33



XC7K325T-2FBG676C



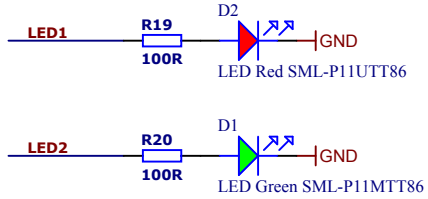
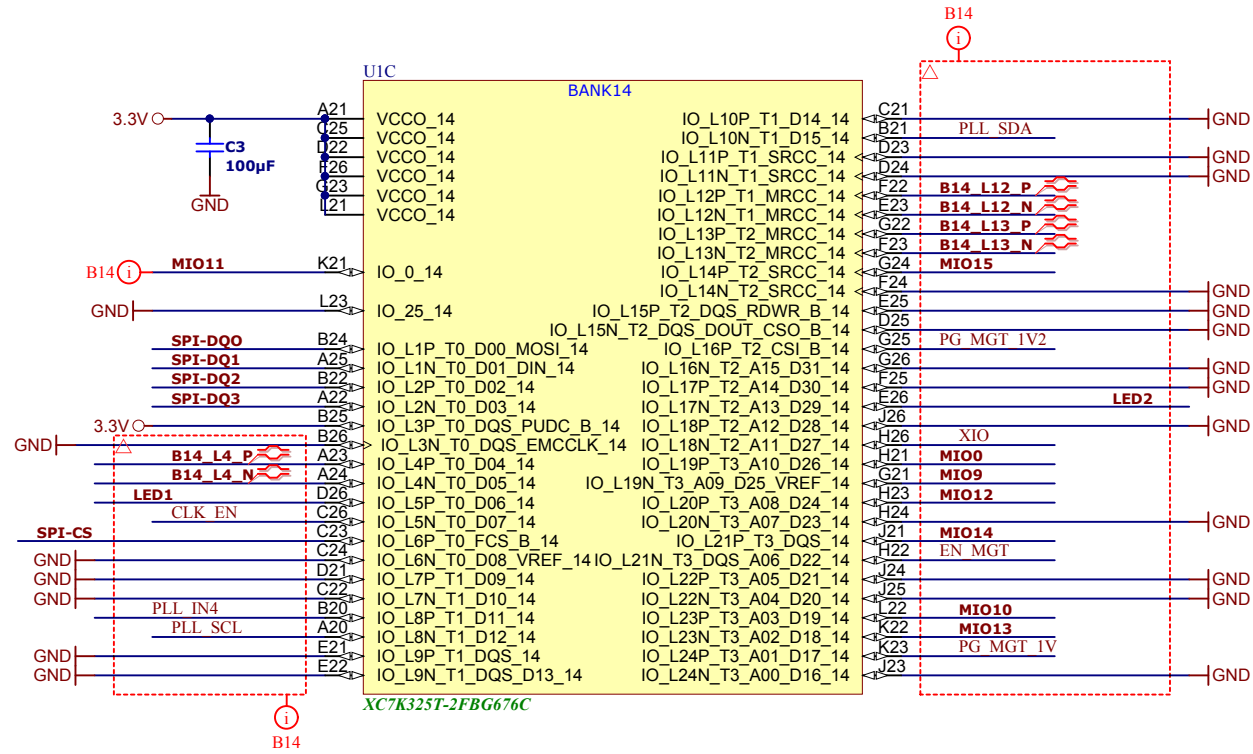
Title: TE0741		
A4	Number: TE0741 TE0741-00-325-2CF	Rev. 01
Date: 2013-11-06	Copyright: 2013 Trenz Electronic GmbH	Page5 of 15
Filename: B33.SchDoc		

1

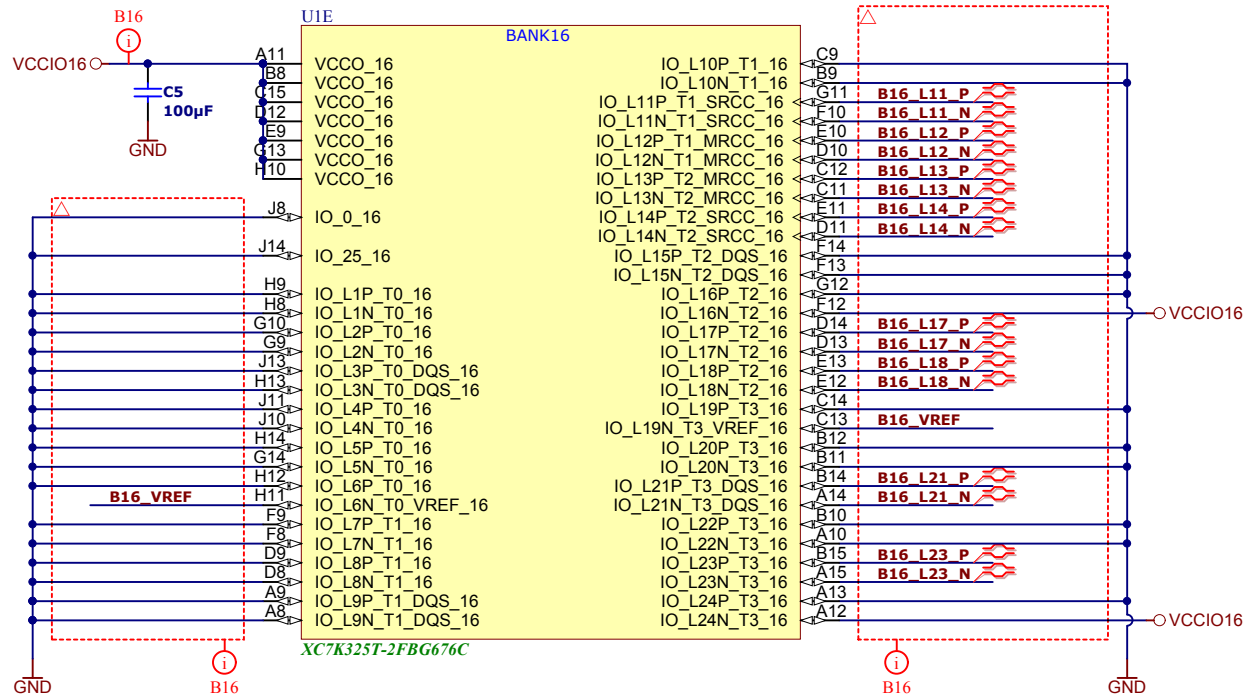
2

3

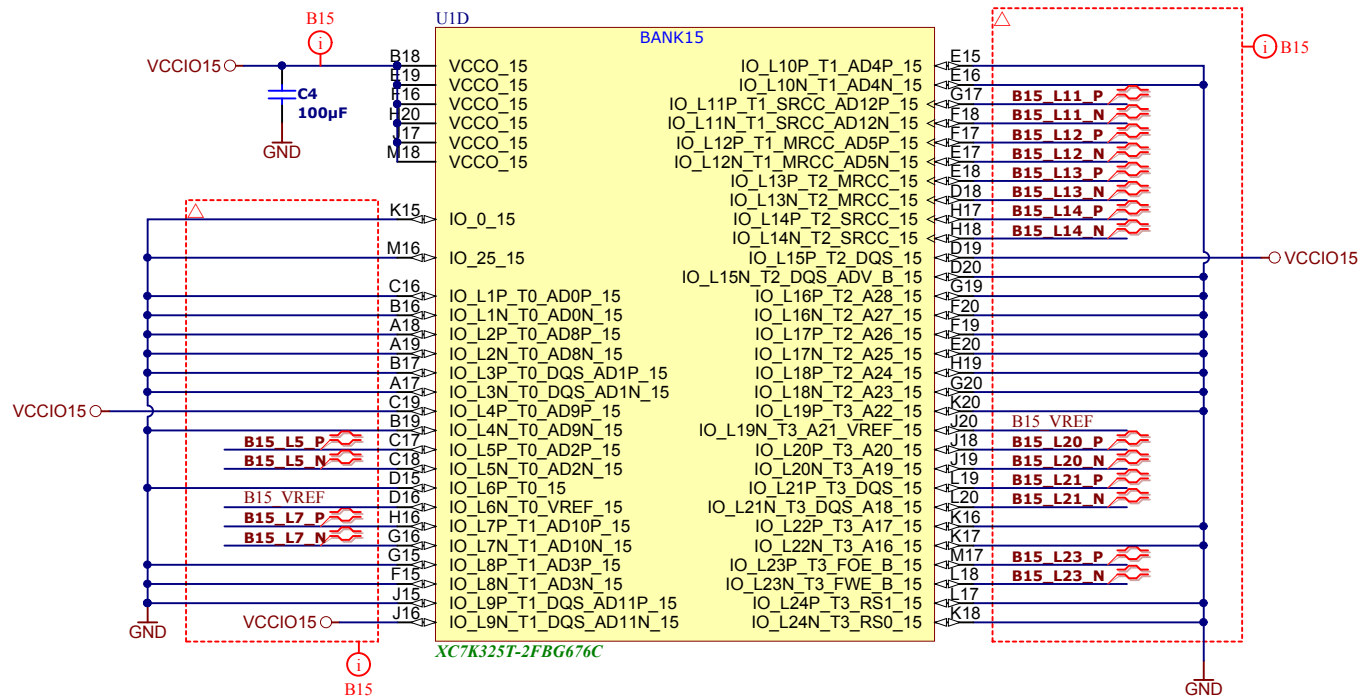
4



		Title: TE0741	
		A4	Number: TE0741 TE0741-00-325-2CF
Date: 2013-11-06		Copyright: 2013 Trenz Electronic GmbH	
Page 5 of 15		Filename: B14.SchDoc	

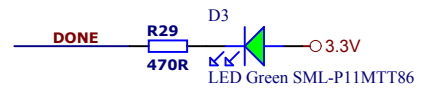
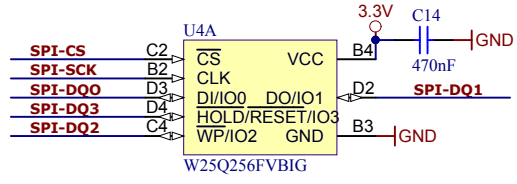
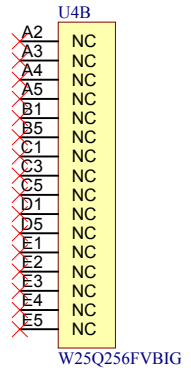
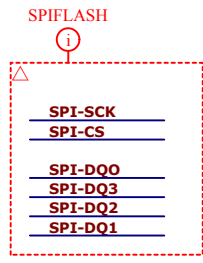
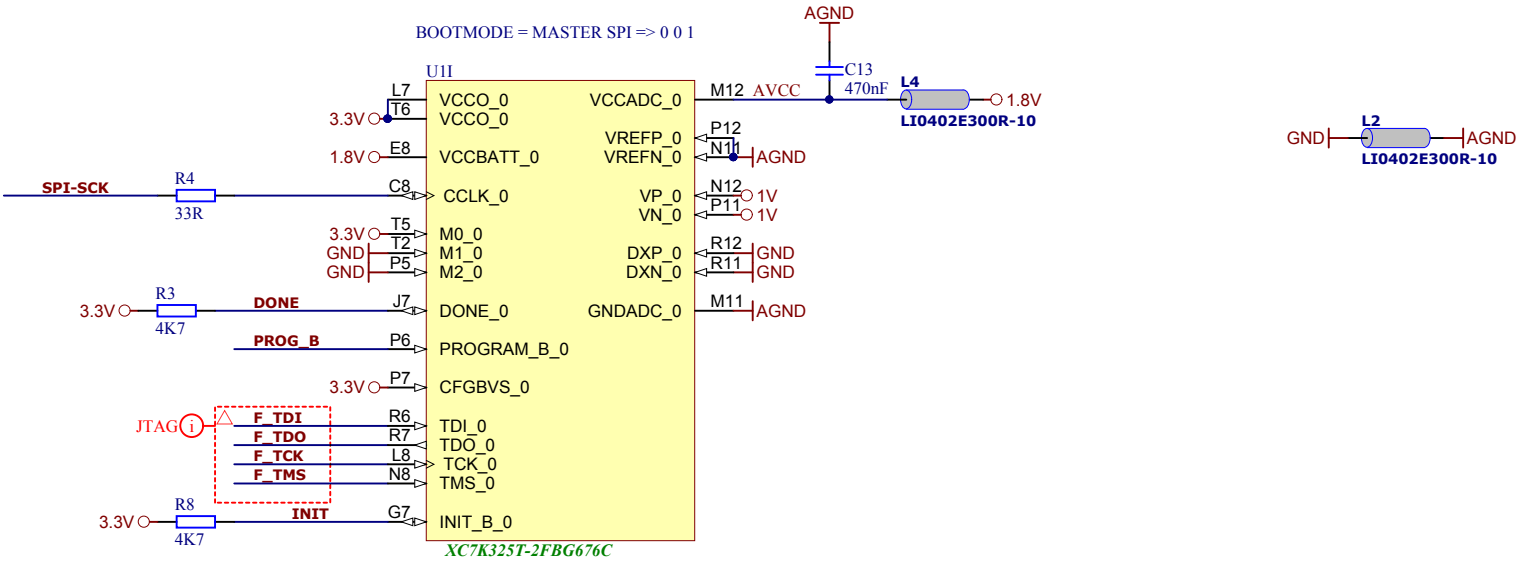


	Title: TE0741		
	A4	Number: TE0741 TE0741-00-325-2CF	Rev. 01
	Date: 2013-11-06	Copyright: 2013 Trenz Electronic GmbH	Page 6 of 15
	Filename: B16.SchDoc		

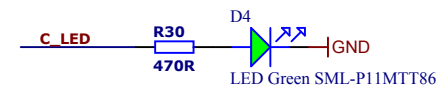
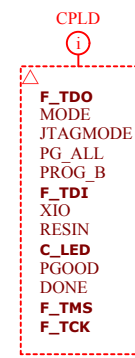
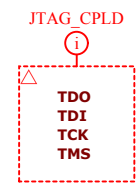
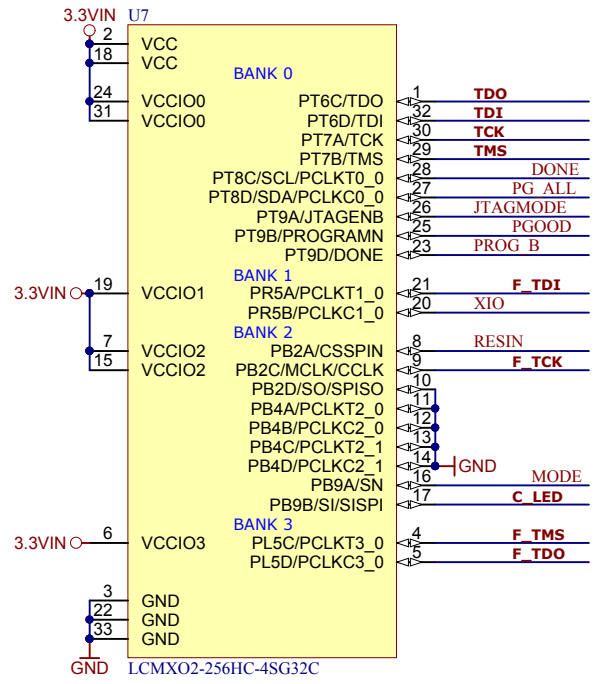


	Title: TE0741	
	A4	Number: TE0741 TE0741-00-325-2CF
	Date: 2013-11-06	Copyright: 2013 Trenz Electronic GmbH
	Page 7	of 15
Filename: B15.SchDoc		Rev. 01

BOOTMODE = MASTER SPI => 0 0 1



Title: TE0741		
A4	Number: TE0741 TE0741-00-325-2CF	Rev. 01
Date: 2013-11-06	Copyright: 2013 Trenz Electronic GmbH	Page 10 of 15
Filename: FPGA-CFG.SchDoc		



	Title: TE0741		
	A4	Number: TE0741 TE0741-00-325-2CF	Rev. 01
	Date: 2013-11-06	Copyright: 2013 Trenz Electronic GmbH	Page 12 of 15
	Filename: FPGA-MISC.SchDoc		

1

2

3

4

A

A

B

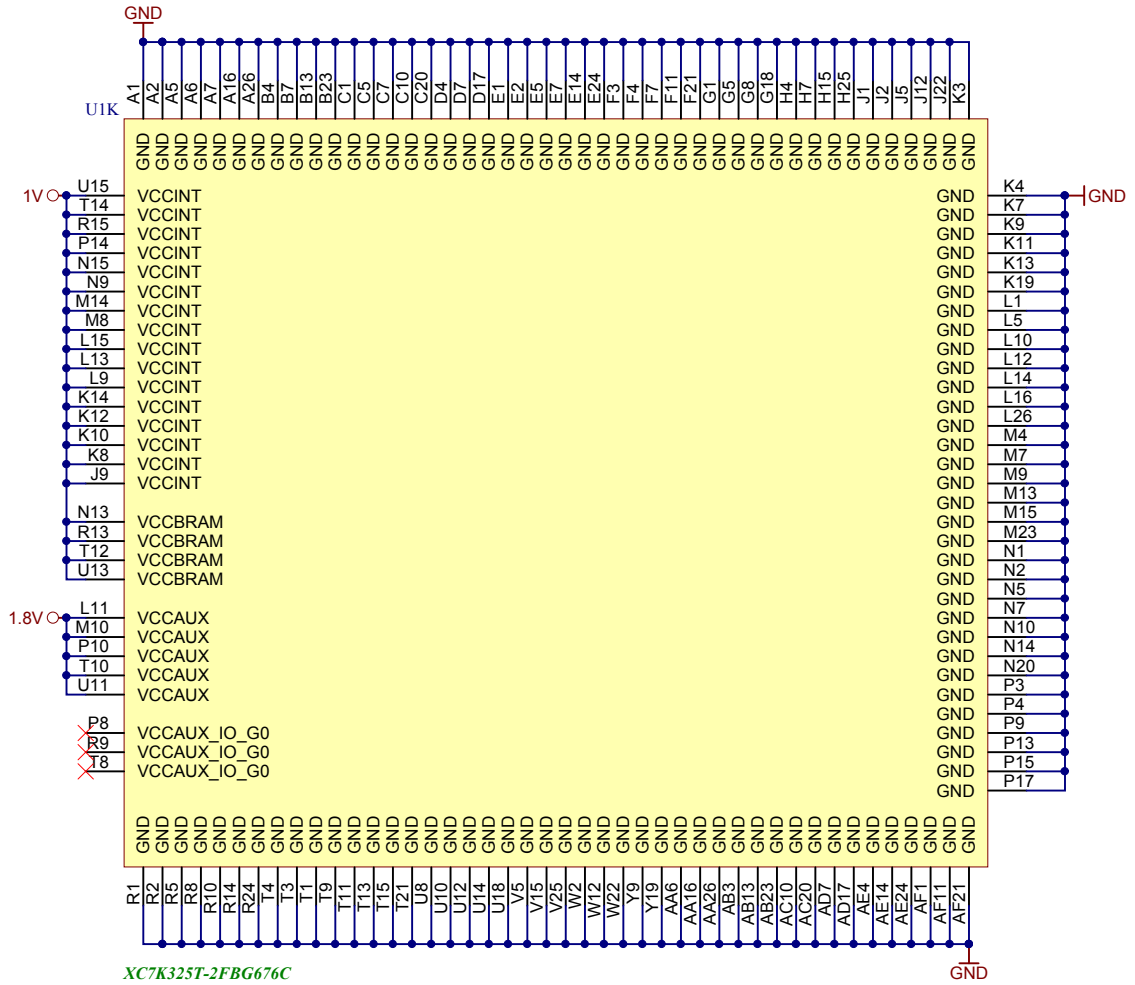
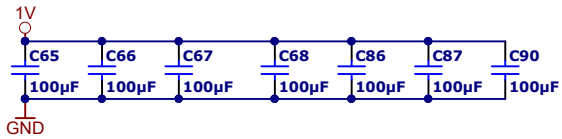
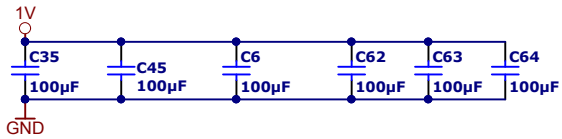
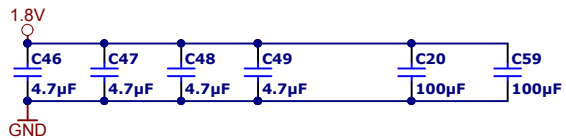
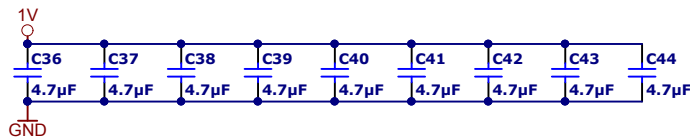
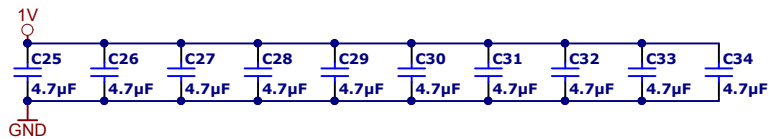
B

C

C

D

D



XC7K325T-2FBG676C



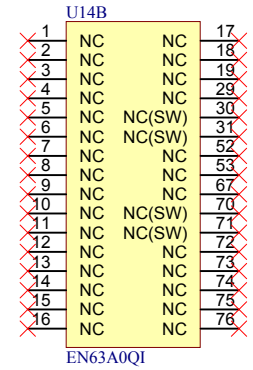
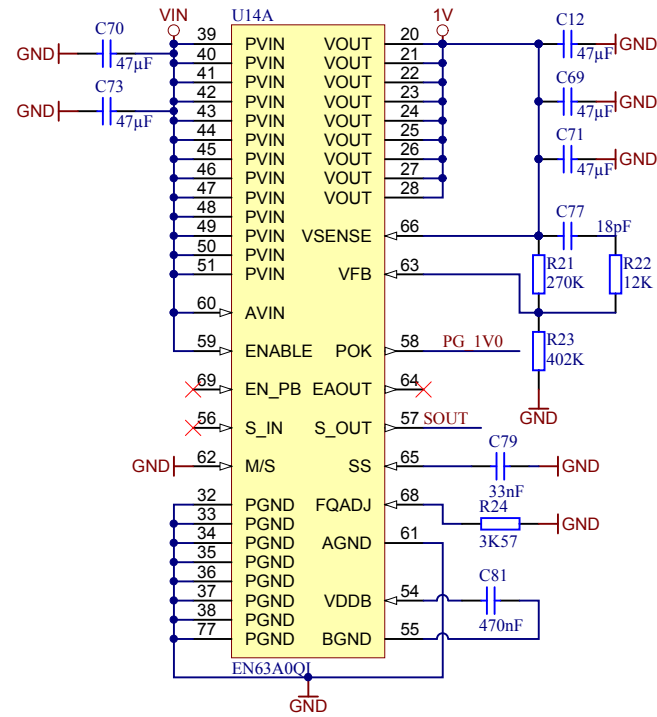
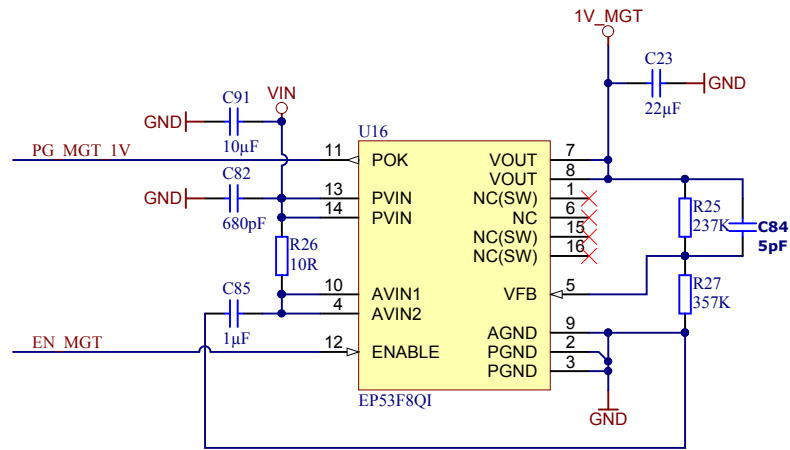
Title: TE0741		
A4	Number: TE0741 TE0741-00-325-2CF	Rev. 01
Date: 2013-11-06	Copyright: 2013 Trenz Electronic GmbH	Page 13 of 15
Filename: FPGA-PWR.SchDoc		

1

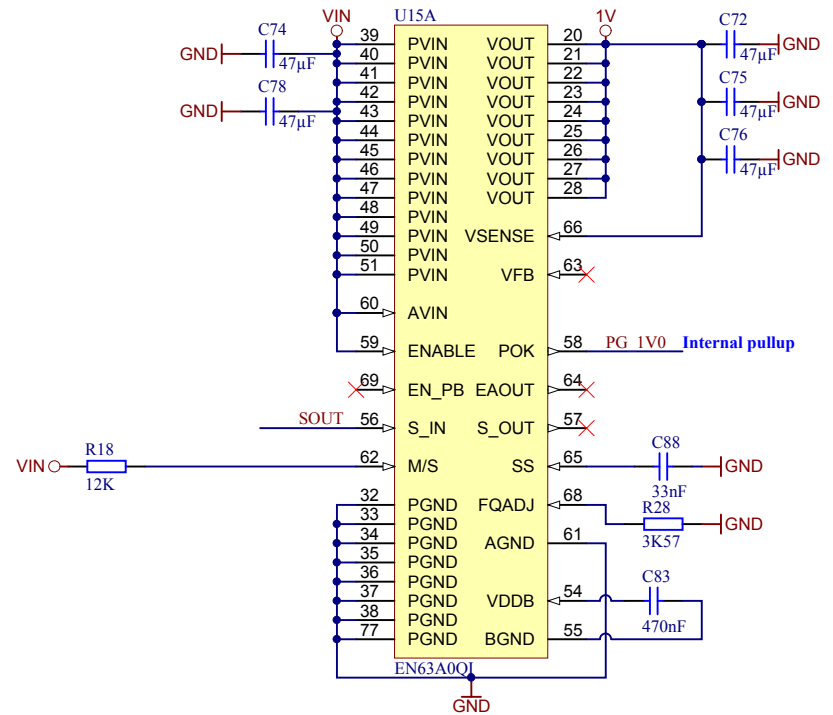
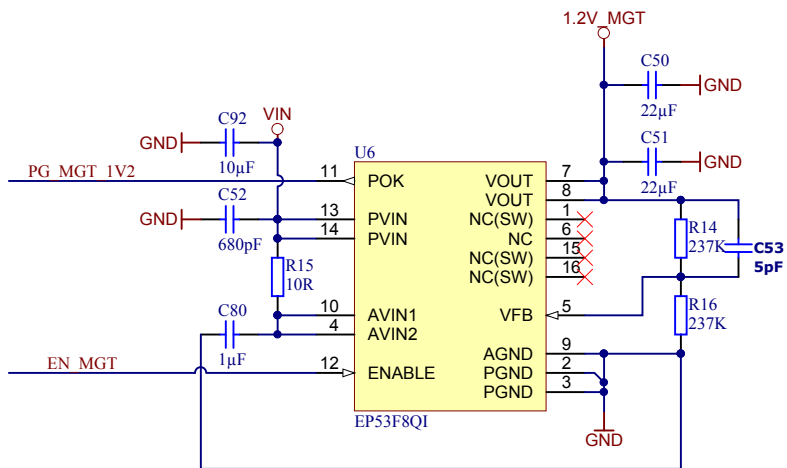
2

3

4




	Title: TE0741		
	A4	Number: TE0741 TE0741-00-325-2CF	Rev. 01
	Date: 2013-11-06	Copyright: 2013 Trenz Electronic GmbH	Page 14 of 15
	Filename: PWR1.SchDoc		



U15B: EN63A0Q1

1	NC	NC	17
2	NC	NC	18
3	NC	NC	19
4	NC	NC	29
5	NC	NC	30
6	NC(SW)	NC(SW)	31
7	NC	NC(SW)	52
8	NC	NC	53
9	NC	NC	67
10	NC	NC	70
11	NC	NC(SW)	71
12	NC	NC(SW)	72
13	NC	NC	73
14	NC	NC	74
15	NC	NC	75
16	NC	NC	76



Title: TE0741

A4	Number: TE0741 TE0741-00-325-2CF	Rev. 01
Date: 2013-11-06	Copyright: 2013 Trenz Electronic GmbH	Page 15 of 15
Filename: PWR2.SchDoc		