

- U\_B12  
B12.SchDoc
- U\_B13  
B13.SchDoc
- U\_B14  
B14.SchDoc
- U\_B15  
B15.SchDoc
- U\_B16  
B16.SchDoc
- U\_B34  
B34.SchDoc

- U\_FPGA-MGT  
FPGA-MGT.SchDoc
- U\_FPGA-CFG  
FPGA-CFG.SchDoc
- U\_FPGA-MISC  
FPGA-MISC.SchDoc
- U\_FPGA-PWR  
FPGA-PWR.SchDoc

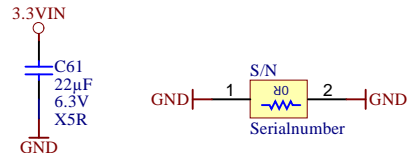
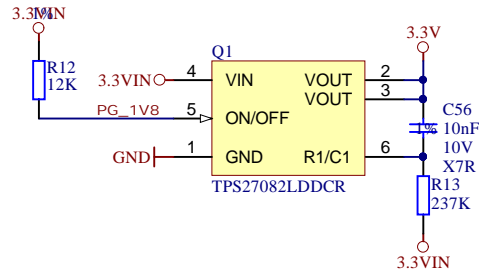
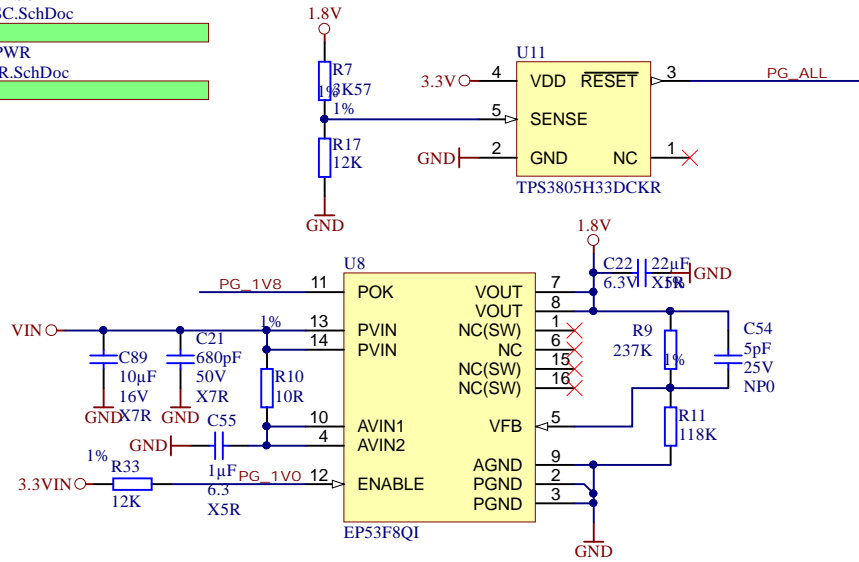
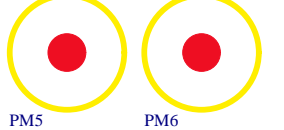
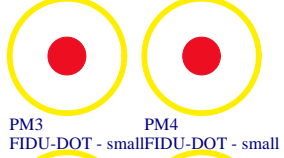
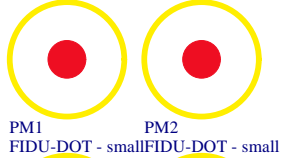
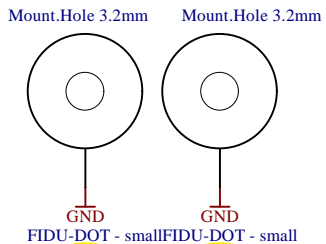
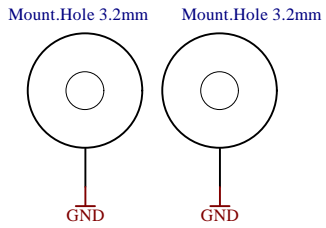
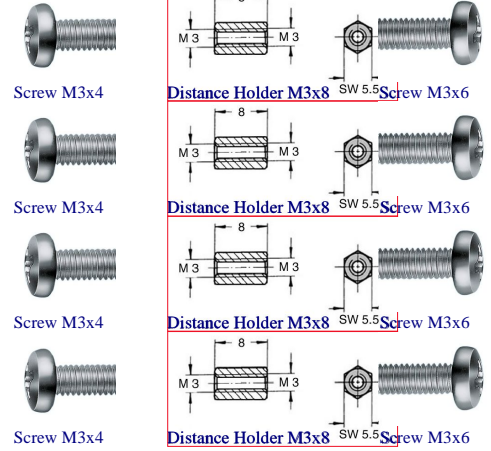
- U\_PWR1  
PWR1.SchDoc
- U\_PWR2  
PWR2.SchDoc

- U\_Clock  
Clock.SchDoc

- U\_B2B-Connectors  
B2B-Connectors.SchDoc

- U\_B33  
B33.SchDoc

Top of Board



Serial  
Serial  
Serialnumber 6,3 x 6,3mm

Assembly variant	325-2CB1
Created by	VT
Modified by	VT
Modified at	2017-01-23
SVN Revision	5578

Title: TE0741		
A4	Number: TE0741 325-2CB1	Rev. 03
Date: 2016-10-25	Copyright: 2013 Trenz Electronic GmbH	Page1 of 17
Filename: TE0741.SchDoc		

1

2

3

4

B13 48 IO, 24 LVDS Pairs  
 B14 8 IO, 3.3V  
 MGT 3 Lanes

B16 16 IO, 8 LVDS Pairs  
 MGT 4 + 1 Lanes  
 B14 4 IO, 3.3V

B15 18 IO, 9 LVDS Pairs  
 B12 48 IO, 24 LVDS Pairs  
 B12 2 IO

A

A

B

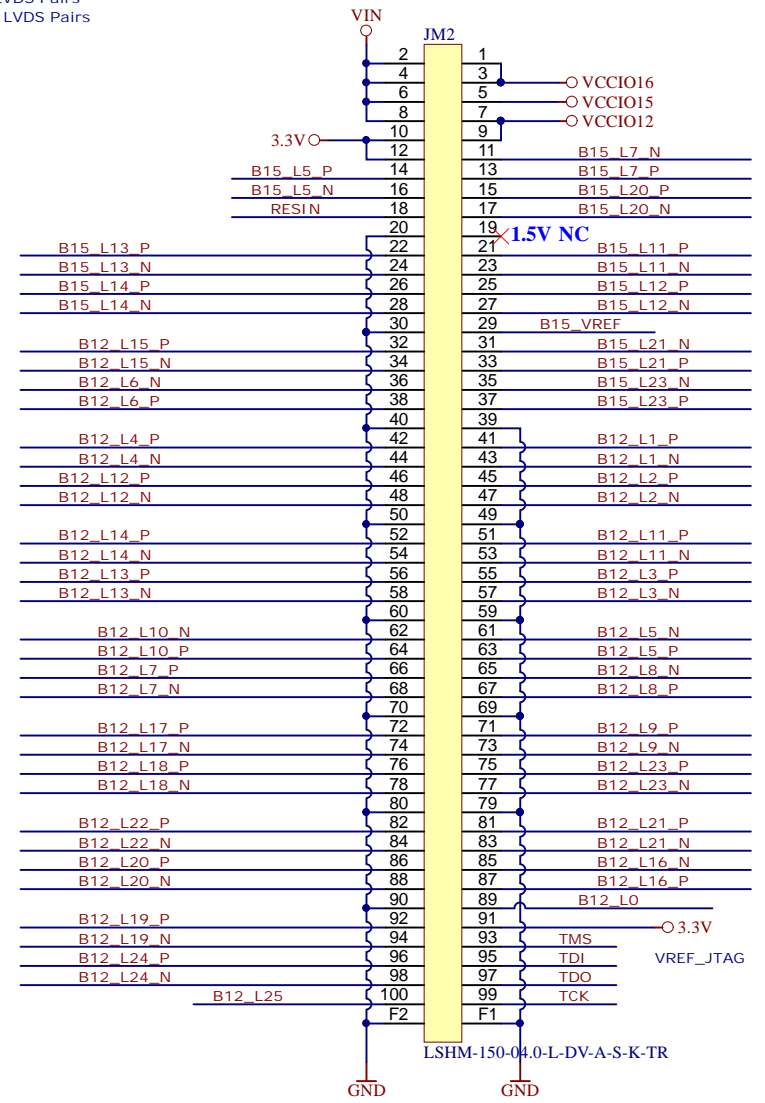
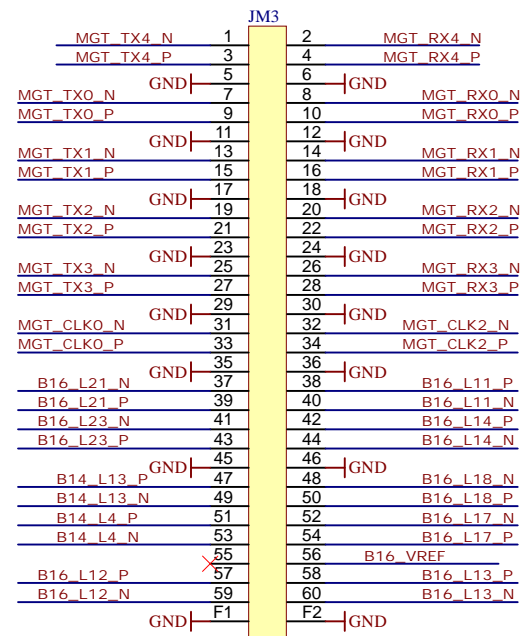
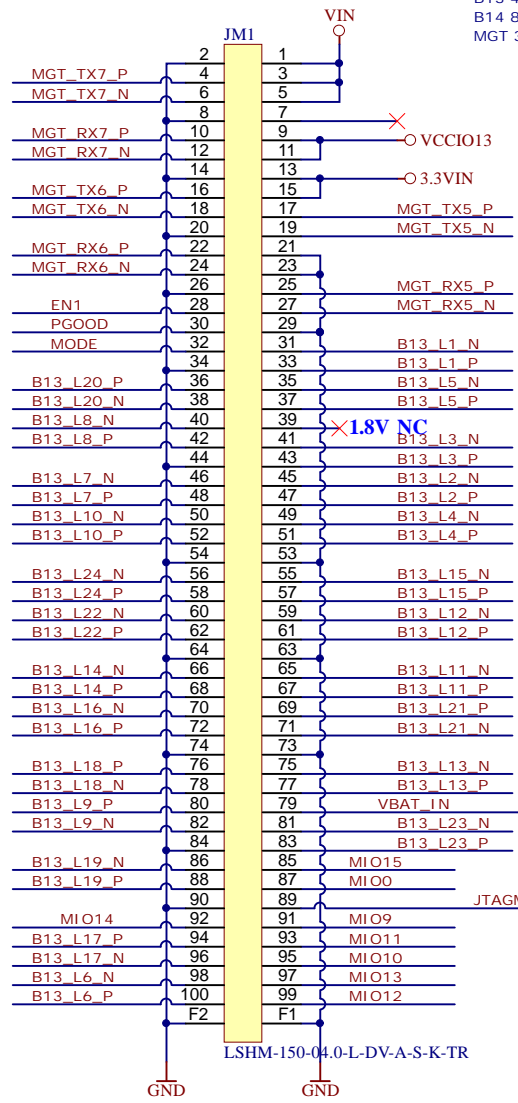
B

C

C

D

D



TE0720 Compatibility

MIO0 8 pins => 8 IO B14  
 USB D+,D-, vbusen,otg\_id => 4 IO B14  
 SGMII => MGT  
 MIO1(SDCARD) => MGT  
 ETH MD1 => MGT  
 B34 => B16, MGT  
 B35 => B13  
 B13 => B12  
 B33 => B15

Clock Capable I/O  
 All pins named  
 Bxx\_11\_X  
 Bxx\_12\_X  
 Bxx\_13\_X  
 Bxx\_14\_X  
 Are Clock Capable I/O's



Title: TE0741		
A4	Number: TE0741 325-2CB1	Rev. 03
Date: 2016-10-25	Copyright: 2013 Trenz Electronic GmbH	Page2 of 17
Filename: B2B-Connectors.SchDoc		

1

2

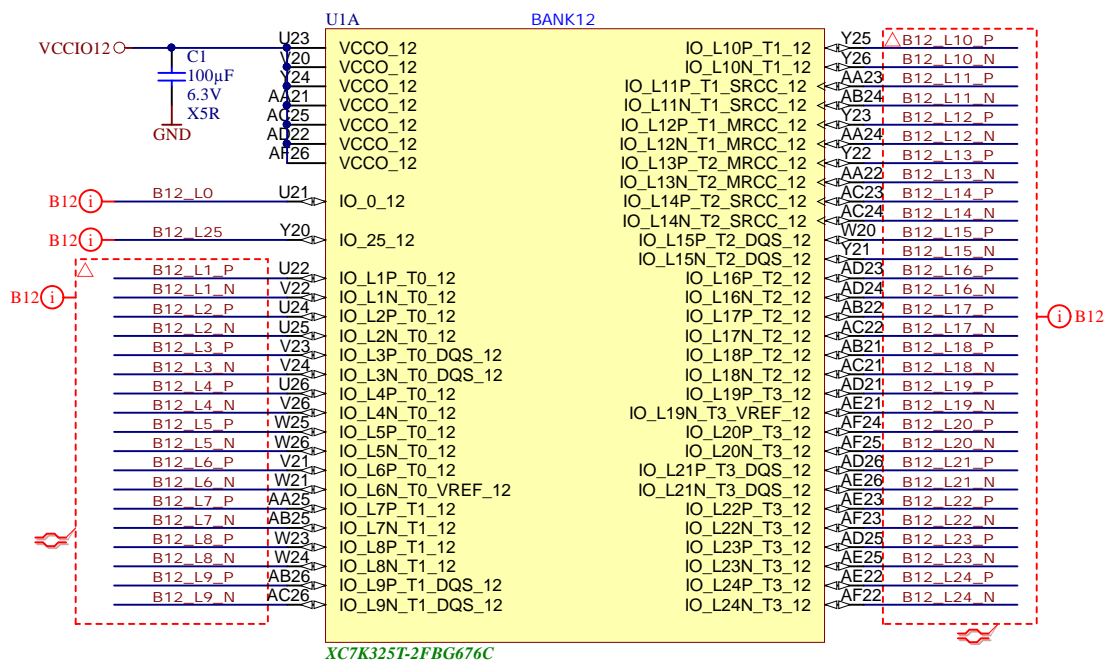
3

4

B12\_FIXED (i) △

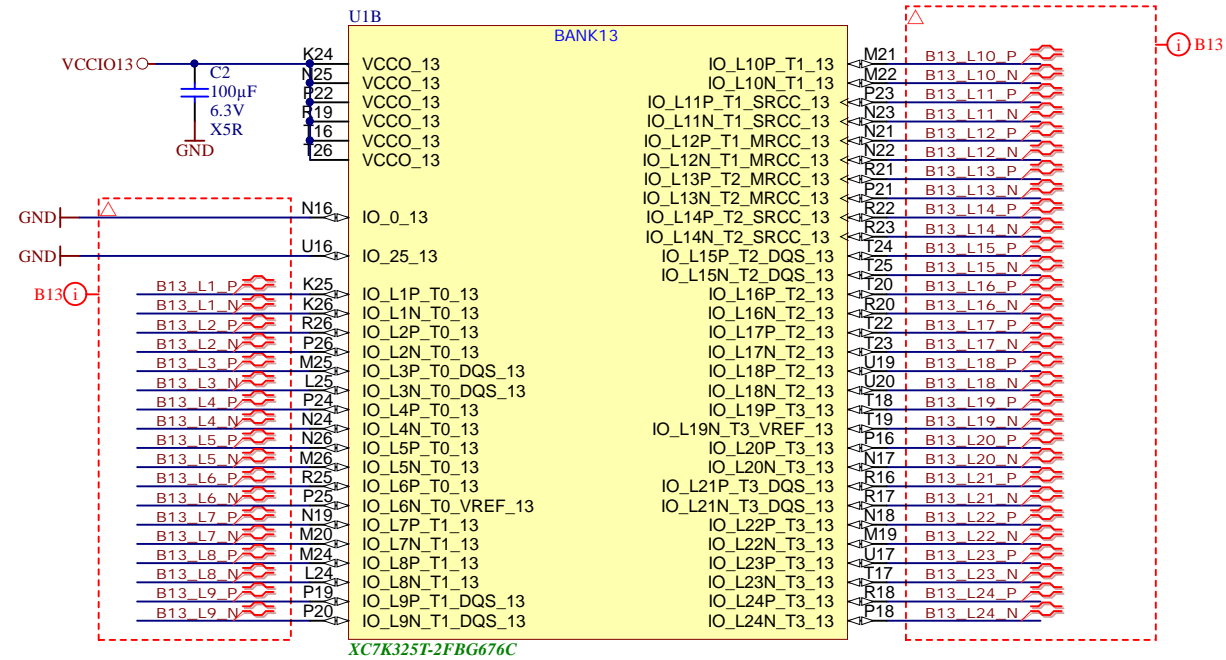
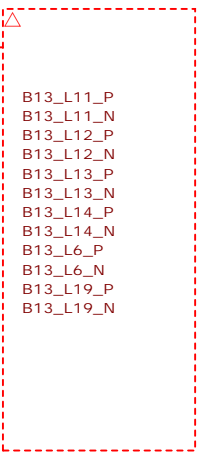
B12_L11_P
B12_L11_N
B12_L12_P
B12_L12_N
B12_L13_P
B12_L13_N
B12_L14_P
B12_L14_N
B12_L19_P
B12_L19_N
B12_L6_P
B12_L6_N

**K70T version does not have this bank!**



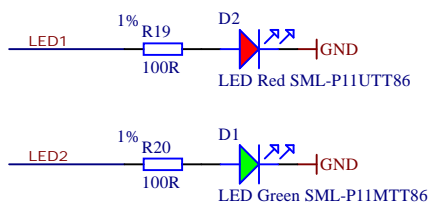
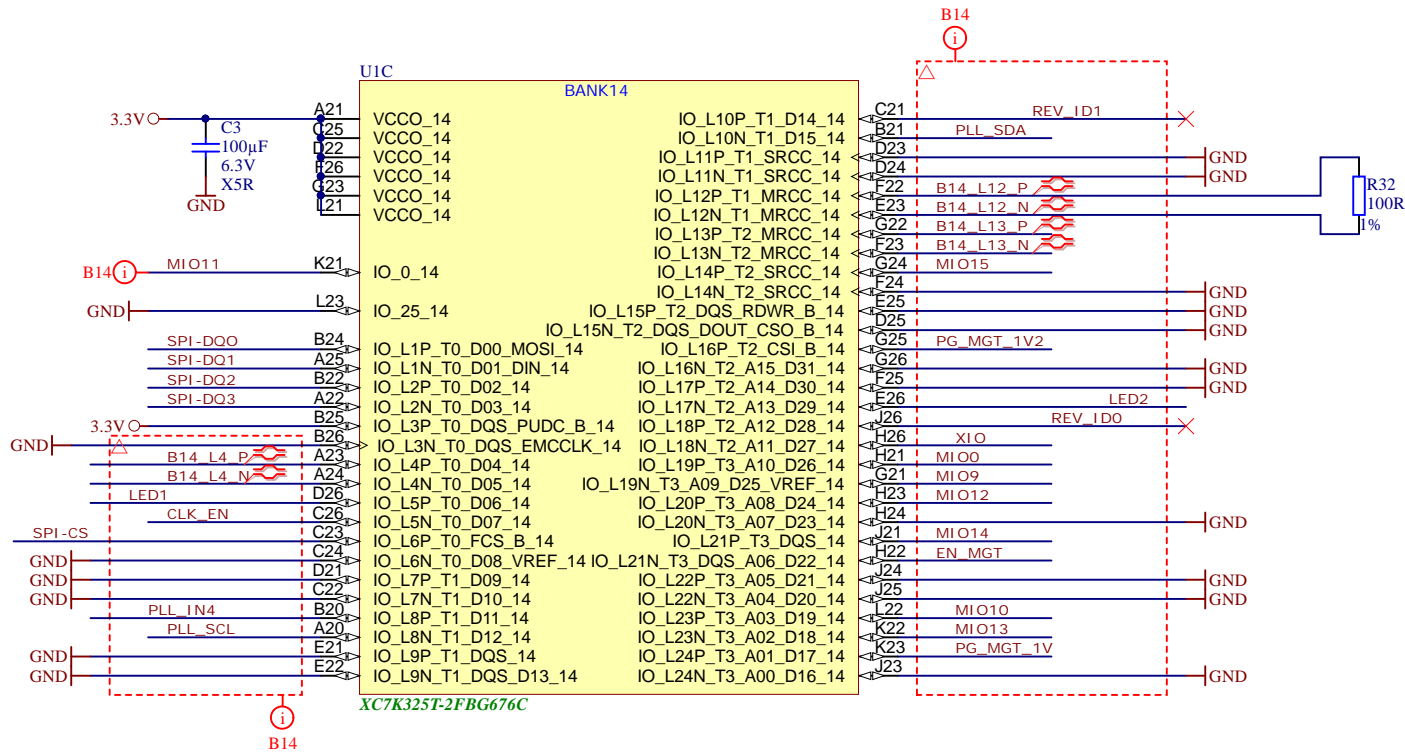

Title: TE0741		
A4	Number: TE0741 325-2CB1	Rev. 03
Date: 2016-10-25	Copyright: 2013 Trenz Electronic GmbH	Page3 of 17
Filename: B12.SchDoc		

B13\_FIXED

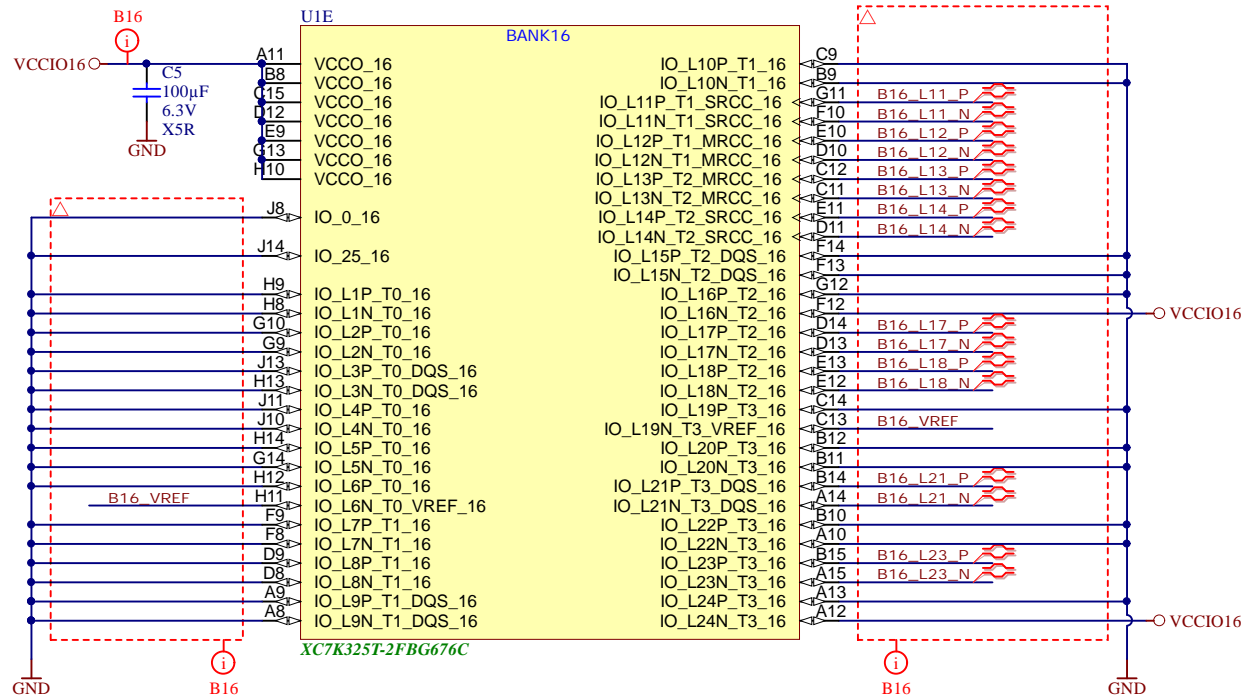



XC7K325T-2FBG676C

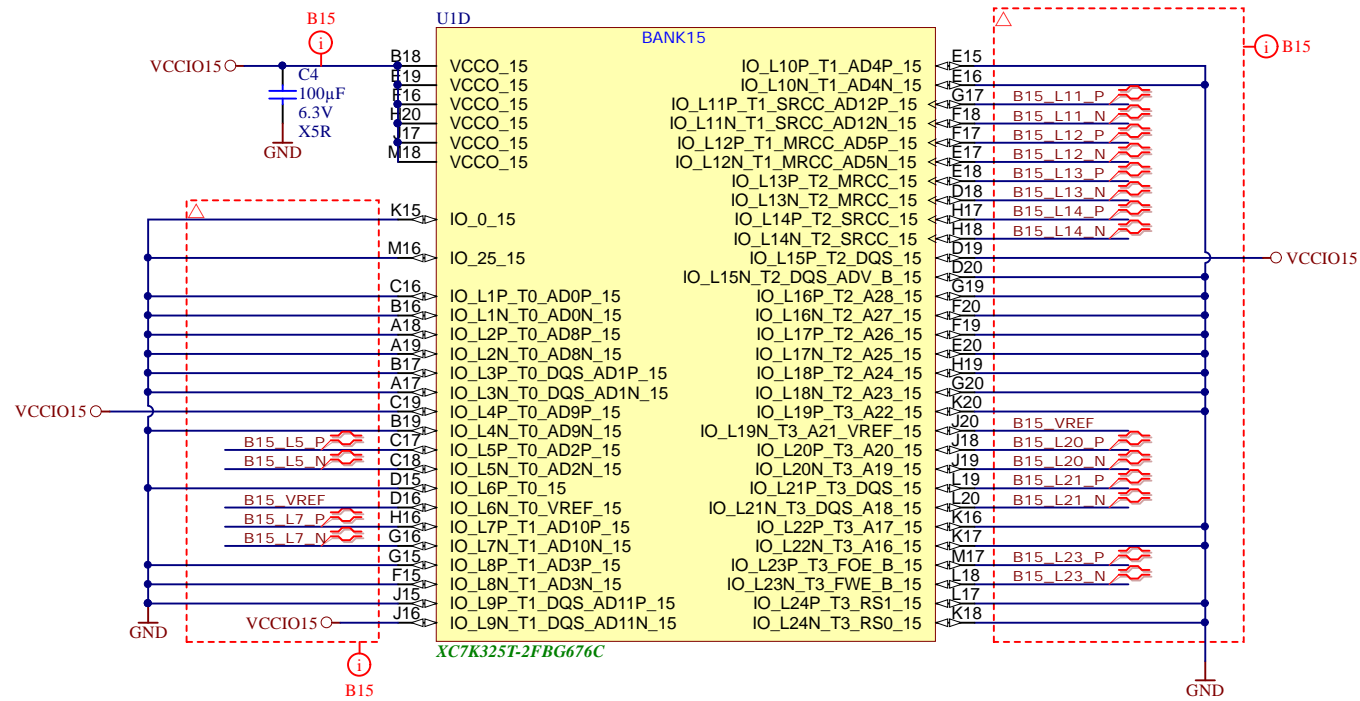
	Title: TE0741		
	A4	Number: TE0741 325-2CB1	Rev. 03
	Date: 2016-10-25	Copyright: 2013 Trenz Electronic GmbH	Page 4 of 17
	Filename: B13.SchDoc		

Title: <b>TE0741</b>		
A4	Number: <b>TE0741 325-2CB1</b>	Rev. <b>03</b>
Date: <b>2016-10-25</b>	Copyright: <b>2013 Trenz Electronic GmbH</b>	Page <b>5</b> of <b>17</b>
Filename: <b>B14.SchDoc</b>		



	Title: <b>TE0741</b>		
	A4	Number: <b>TE0741 325-2CB1</b>	Rev. <b>03</b>
	Date: <b>2016-10-25</b>	Copyright: <b>2013 Trenz Electronic GmbH</b>	Page <b>6</b> of <b>17</b>
	Filename: <b>B16.SchDoc</b>		



Title: TE0741		
A4	Number: TE0741 325-2CB1	Rev. 03
Date: 2016-10-25	Copyright: 2013 Trenz Electronic GmbH	Page 7 of 17
Filename: B15.SchDoc		

1

2

3

4

A

A

B

B

C

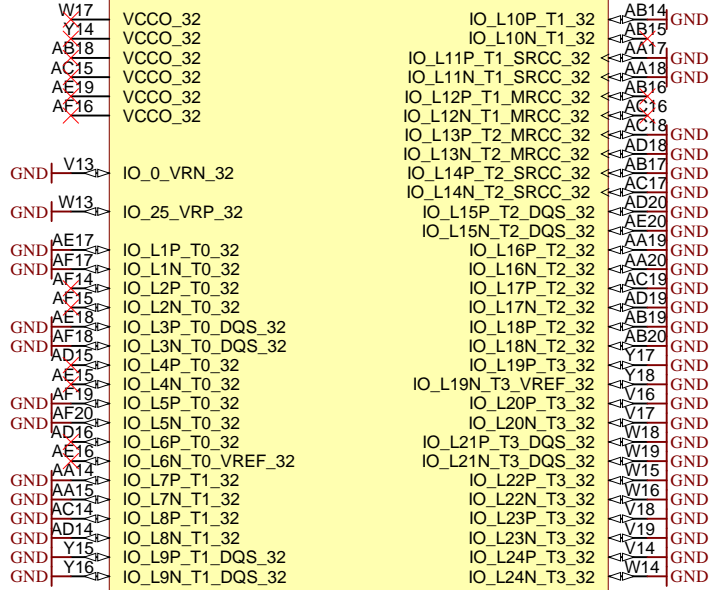
C

D

D

UIF

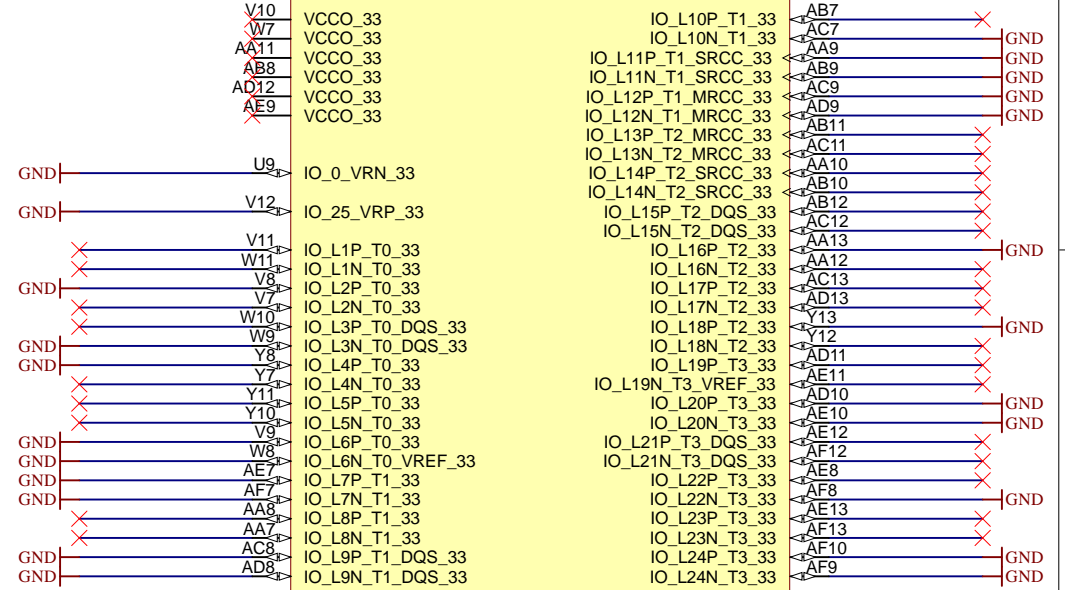
BANK32



XC7K325T-2FBG676C

UIG

BANK33



XC7K325T-2FBG676C



Title: TE0741		
A4	Number: TE0741 325-2CB1	Rev. 03
Date: 2016-10-25	Copyright: 2013 Trenz Electronic GmbH	Page8 of 17
Filename: B33.SchDoc		

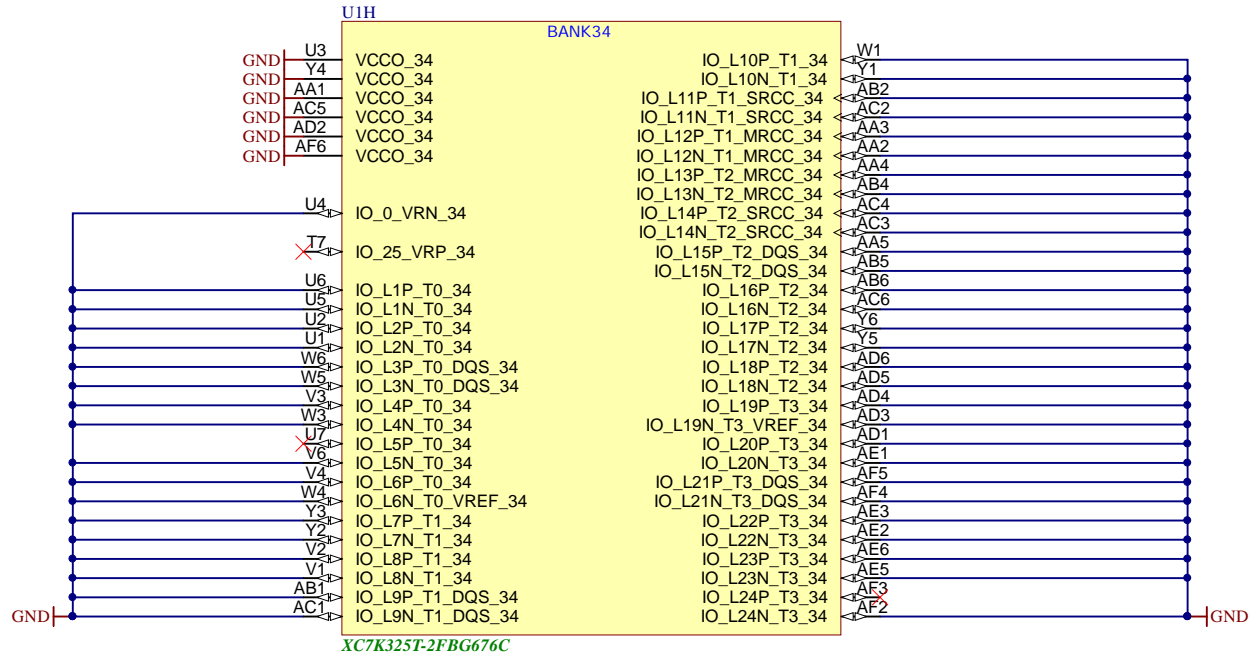

1

2

3

4



Title: <b>TE0741</b>		
A4	Number: <b>TE0741 325-2CB1</b>	Rev. <b>03</b>
Date: <b>2016-10-25</b>	Copyright: <b>2013 Trenz Electronic GmbH</b>	Page <b>9</b> of <b>17</b>
Filename: <b>B34.SchDoc</b>		

1

2

3

4

A

A

B

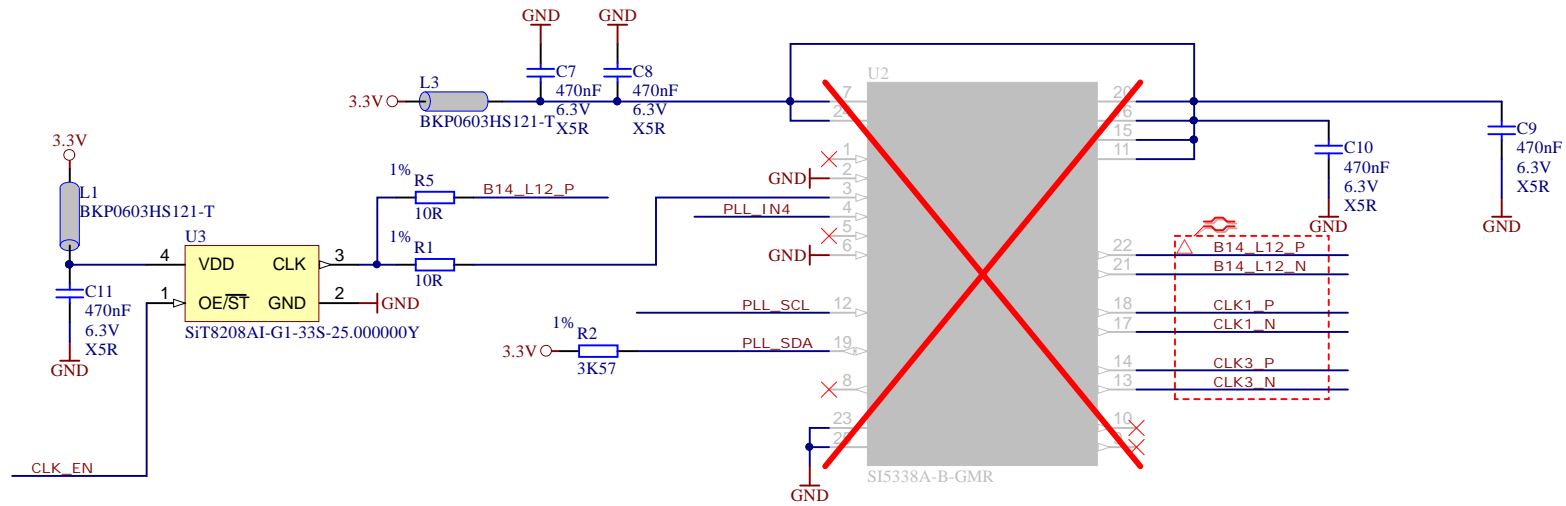
B

C

C

D

D



			Title: TE0741	
			A4	Number: TE0741 325-2CB1
Date: 2016-10-25		Copyright: 2013 Trenz Electronic GmbH		Page 10 of 17
Filename: Clock.SchDoc				

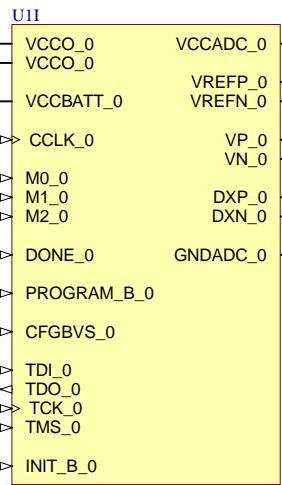
1

2

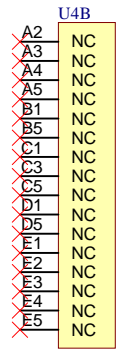
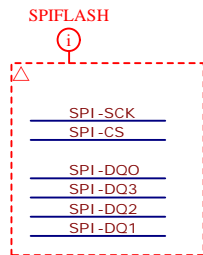
3

4

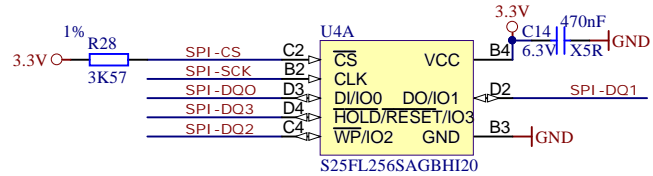
BOOTMODE = MASTER SPI => 0 0 1



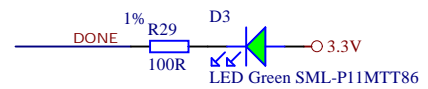
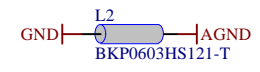
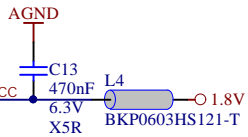
XC7K325T-2FBG676C



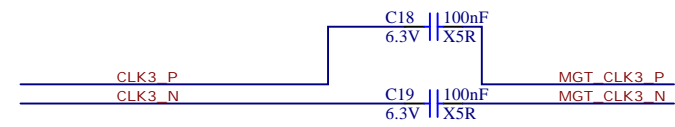
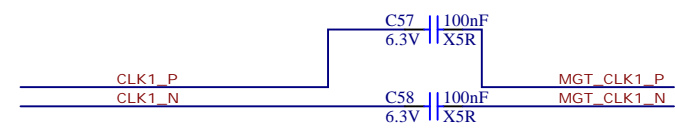
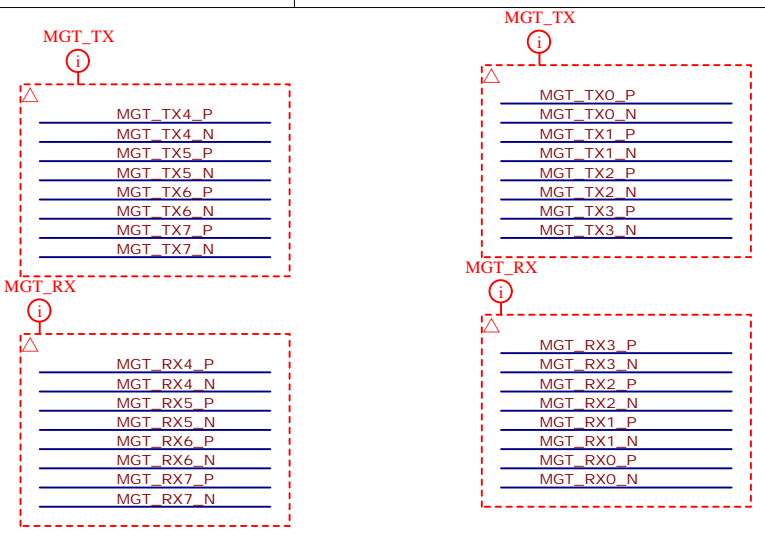
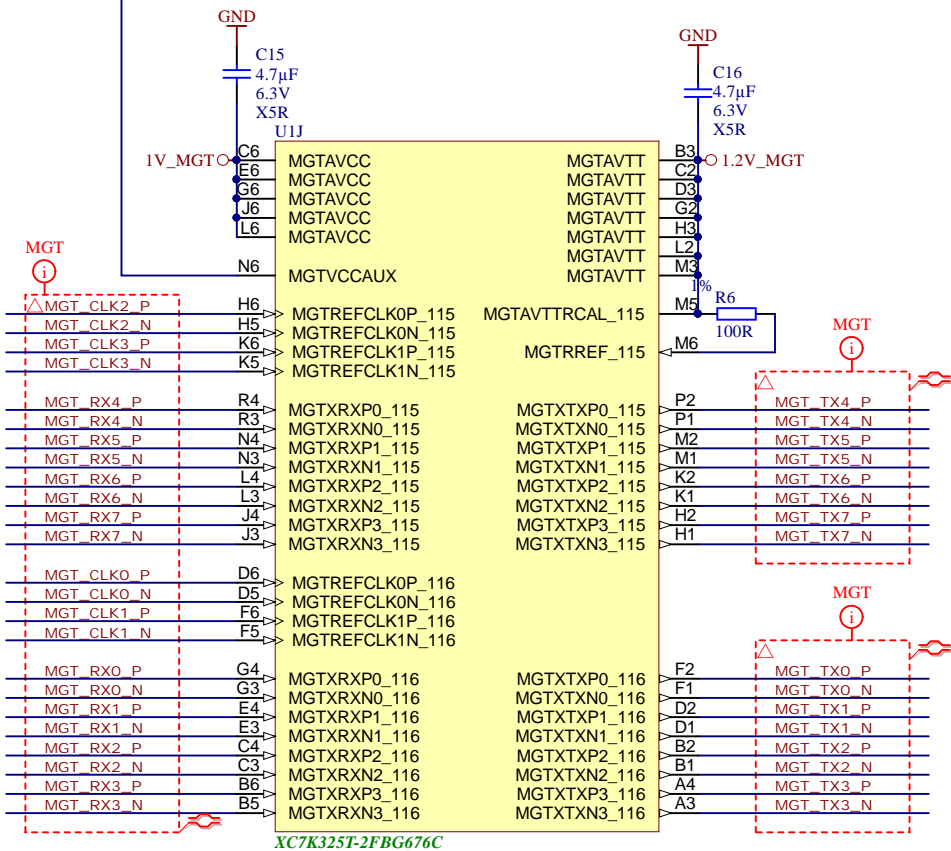
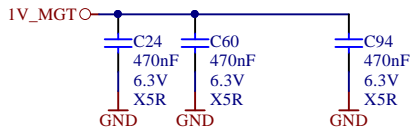
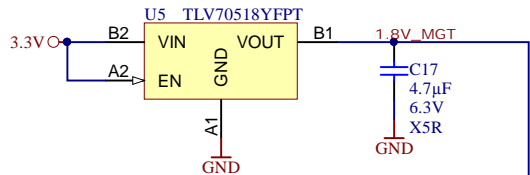
S25FL256SAGBH120




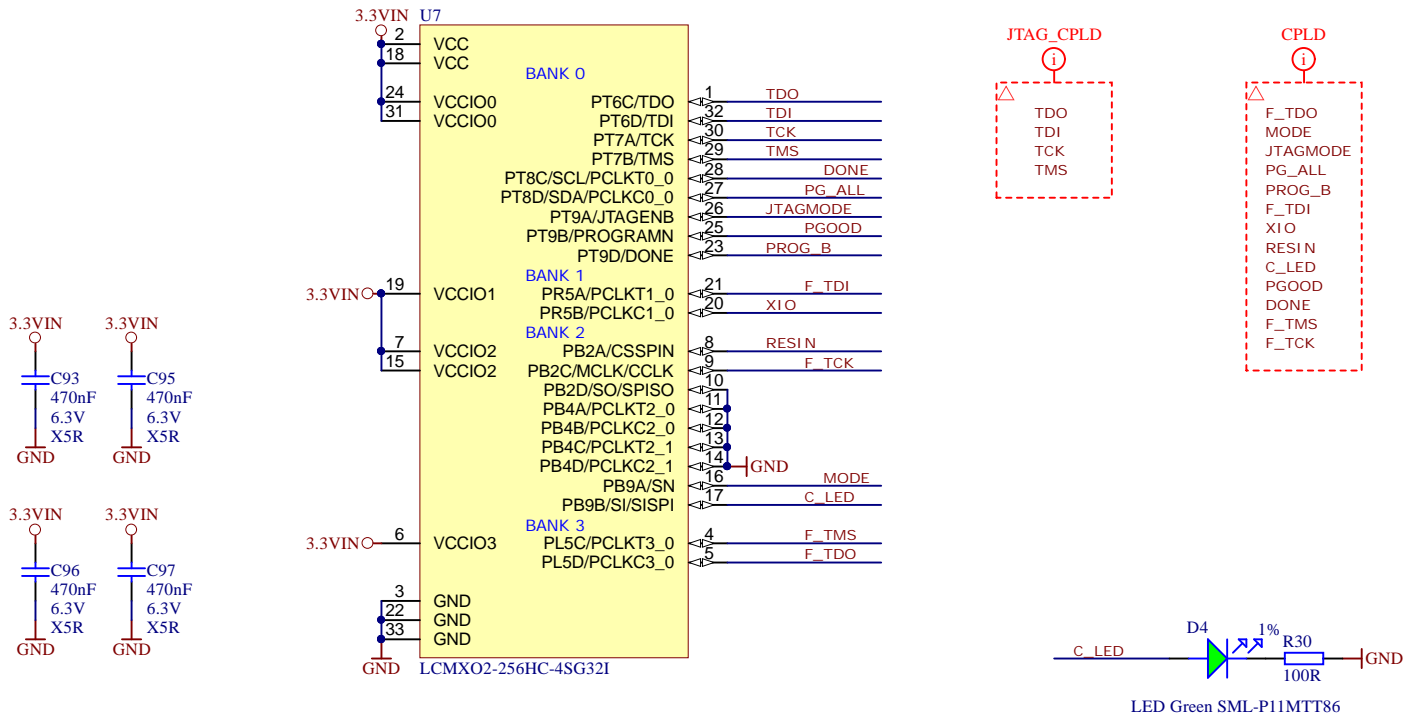
S25FL256SAGBH120




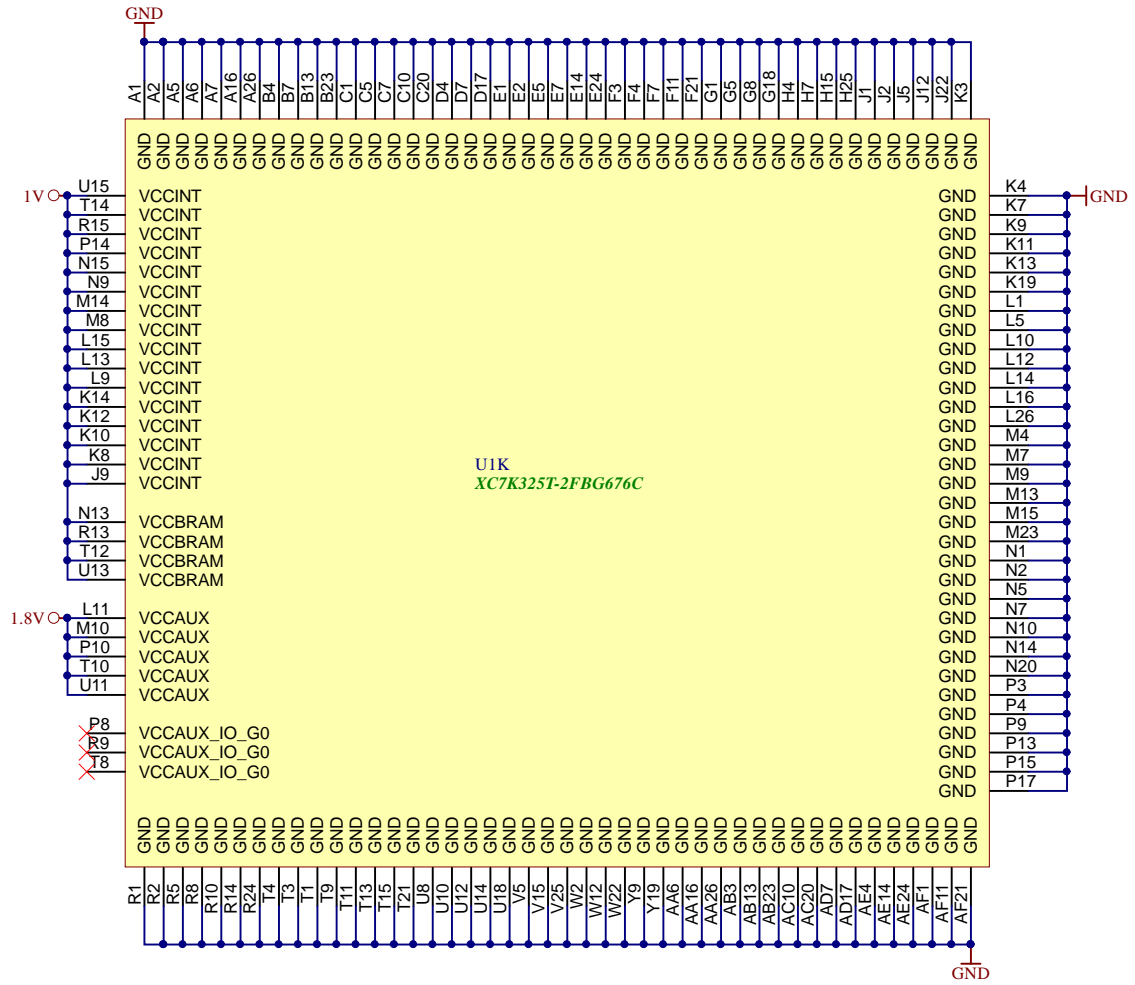
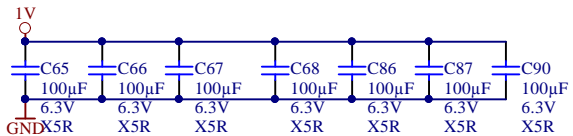
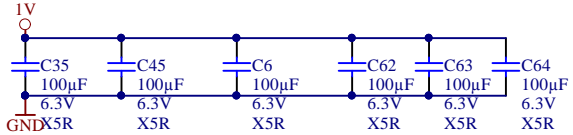
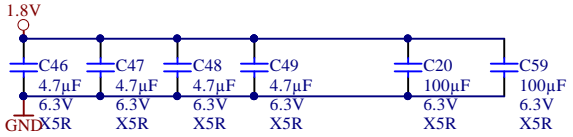
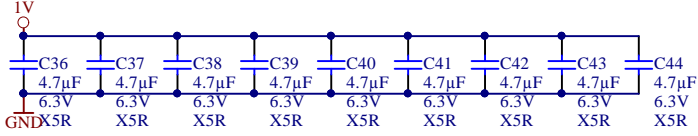
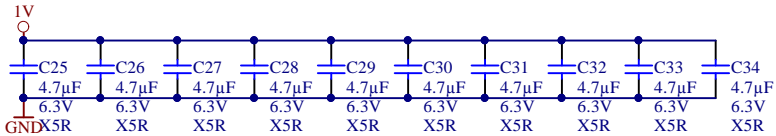
Title: TE0741		
A4	Number: TE0741 325-2CB1	Rev. 03
Date: 2016-10-25	Copyright: 2013 Trenz Electronic GmbH	Page 11 of 17
Filename: FPGA-CFG.SchDoc		



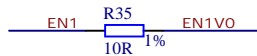
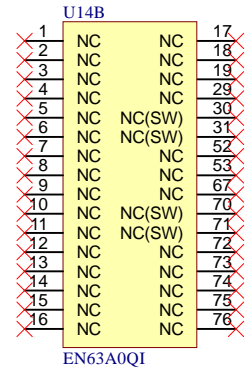
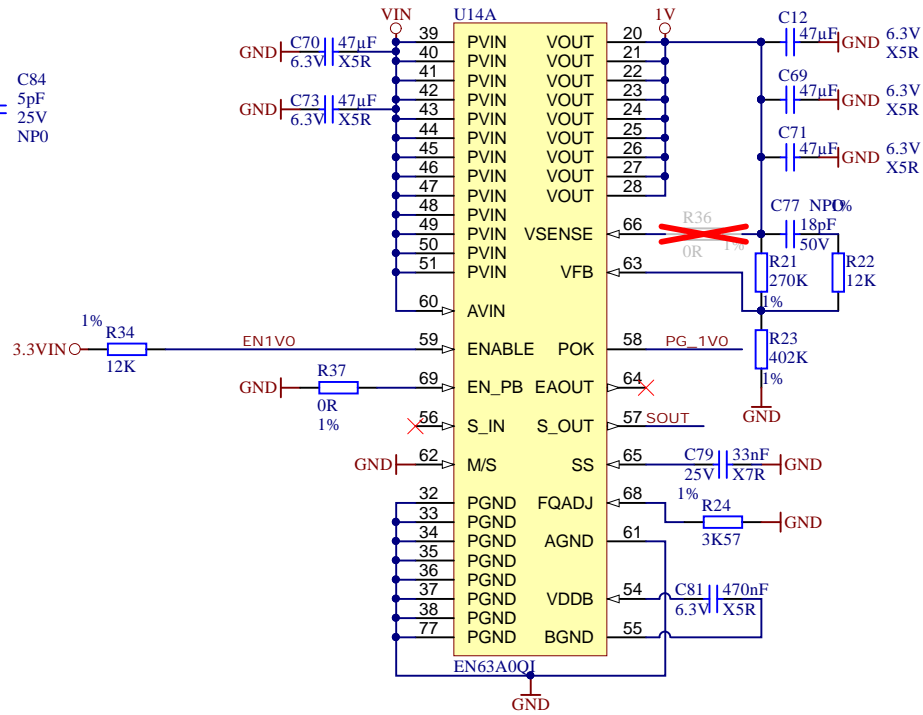
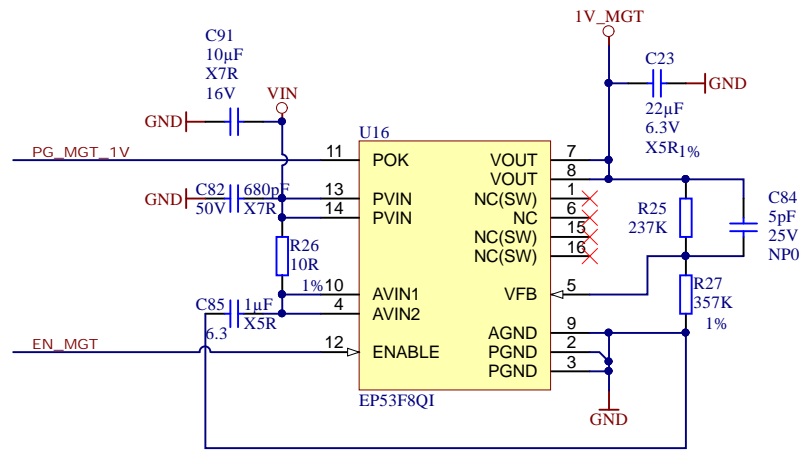
			Title: TE0741	
A4	Number: TE0741 325-2CB1	Rev. 03		
Date: 2016-10-25	Copyright: 2013 Trenz Electronic GmbH	Page 12 of 17		
Filename: FPGA-MGT.SchDoc				



	Title: <b>TE0741</b>		
	A4	Number: <b>TE0741 325-2CB1</b>	Rev. <b>03</b>
	Date: <b>2016-10-25</b>	Copyright: <b>2013 Trenz Electronic GmbH</b>	Page <b>13</b> of <b>17</b>
	Filename: <b>FPGA-MISC.SchDoc</b>		



Title: <b>TE0741</b>		
A4	Number: <b>TE0741 325-2CB1</b>	Rev. <b>03</b>
Date: 2016-10-25	Copyright: 2013 Trenz Electronic GmbH	Page 14 of 17
Filename: <b>FPGA-PWR.SchDoc</b>		

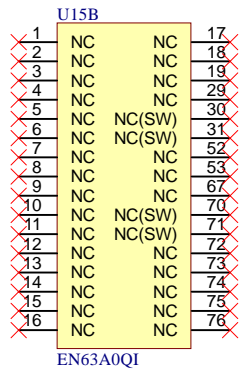
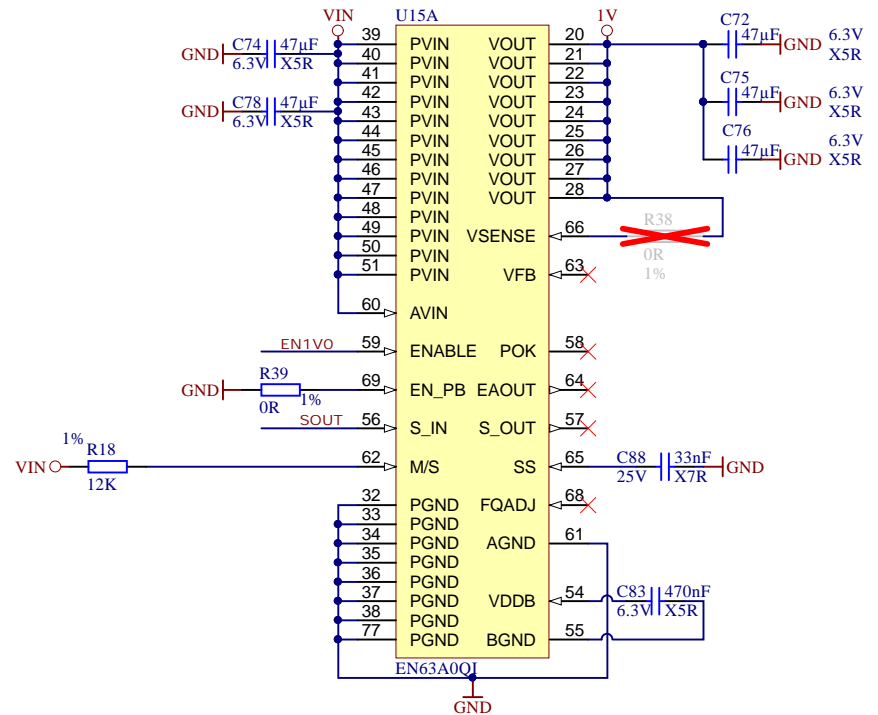
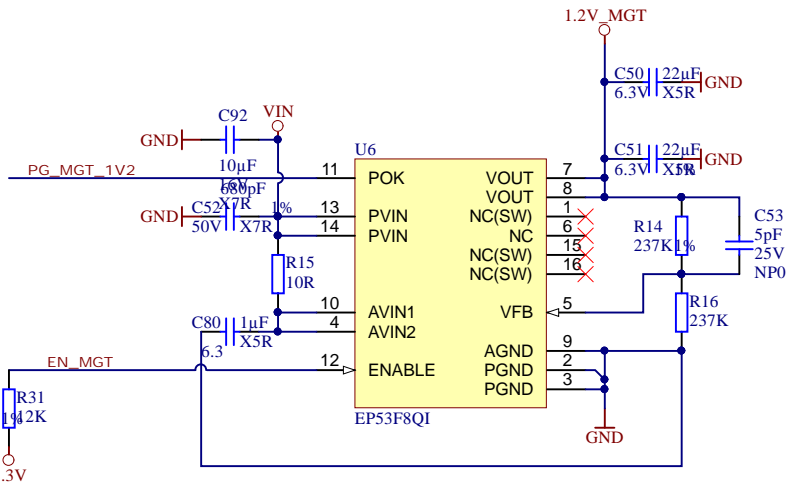


**A** Not mount if baseboard EN1 circuit cause problems

Pre-bias feature is not available for parallel operations

R36 R37 MODE EN63A0QI  
 -----  
 OK X | enable pre-bias start-up (available when U14 or U15 as DNP )  
 X OK | disable pre-bias start-up

	Title: TE0741	
	A4	Number: TE0741 325-2CB1
	Date: 2016-10-25	Copyright: 2013 Trenz Electronic GmbH
	Page 15 of 17	Rev. 03
Filename: PWR1.SchDoc		



Pre-bias feature is not available for parallel operations

R38	R39	MODE	EN63A0QI
OK	X		enable pre-bias start-up (available when U14 or U15 as DNP )
X	OK		disable pre-bias start-up

	Title: <b>TE0741</b>		
	A4	Number: <b>TE0741 325-2CB1</b>	Rev. <b>03</b>
	Date: <b>2016-10-25</b>	Copyright: <b>2013 Trenz Electronic GmbH</b>	Page <b>16</b> of <b>17</b>
	Filename: <b>PWR2.SchDoc</b>		



1

2

3

4

CHANGES REV02 to REV03

- 1) fixed connection DCDC for parallel operations
- 2) update Razorbeam Connectors, full update lib
- 3) added serial number (traceability pad)
- 4) changed ferrite beads L1..L4 size 0402 on BKP0603HS121-T
- 5) added thermal vias to mounting holes

A

A

B


B

C

C

D

D

	Title: TE0741 - Changes list		
	A4	Number: TE0741 325-2CB1	Rev. 03
	Date: 2016-10-25	Copyright: Trenz Electronic GmbH	Page 17 of 17
	Filename: Revision_Changes.SchDoc		

1

2

3

4