

1

2

3

4

U\_B12  
B12.SchDoc

U\_B13  
B13.SchDoc

U\_B14  
B14.SchDoc

U\_B15  
B15.SchDoc

U\_B16  
B16.SchDoc

U\_B34  
B34.SchDoc

U\_FPGA-MGT  
FPGA-MGT.SchDoc

U\_FPGA-CFG  
FPGA-CFG.SchDoc

U\_FPGA-MISC  
FPGA-MISC.SchDoc

U\_FPGA-PWR  
FPGA-PWR.SchDoc

U\_PWR1  
PWR1.SchDoc

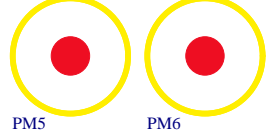
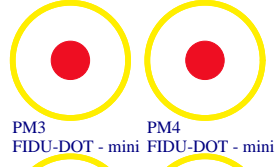
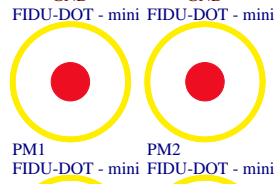
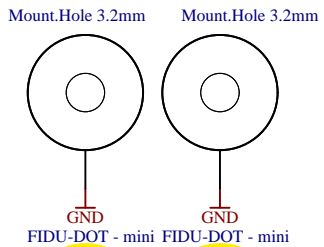
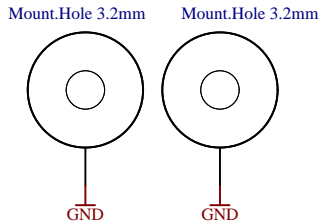
U\_PWR2  
PWR2.SchDoc

U\_Clock  
Clock.SchDoc

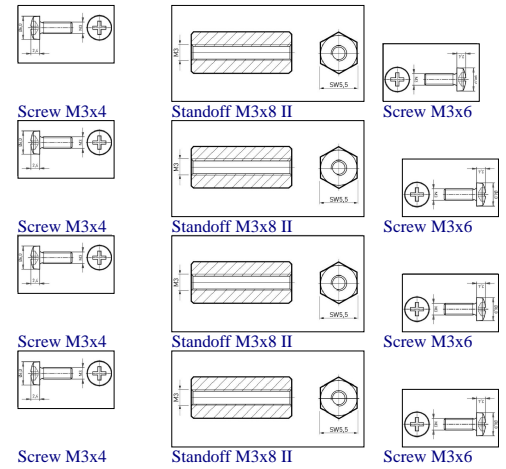
U\_B2B-Connectors  
B2B-Connectors.SchDoc

U\_B33  
B33.SchDoc

Serial  
Serialnumber 6,3 x 6.3mm



Top of Board



Assembly variant	D2C-1-A
Created by	VT
Modified by	VT
Modified at	2017-01-23
SVN Revision	12616



Title: TE0741		
A4	Number: TE0741 D2C-1-A	Rev. 04
Date: 2016-10-25	Copyright: 2013 Trenz Electronic GmbH	Page1 of 17
Filename: TE0741.SchDoc		

1

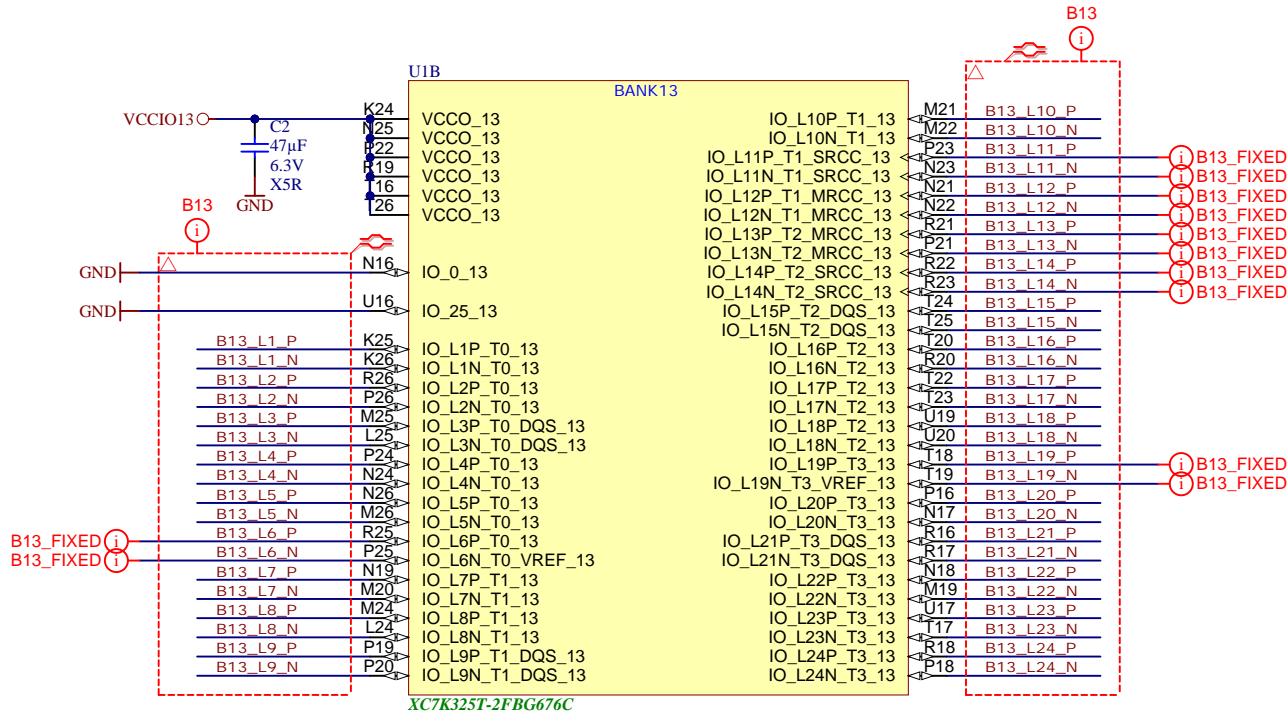
2

3

4



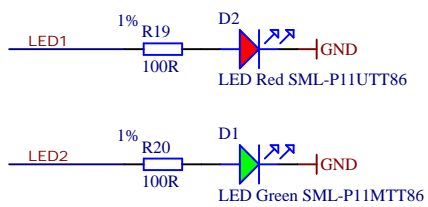
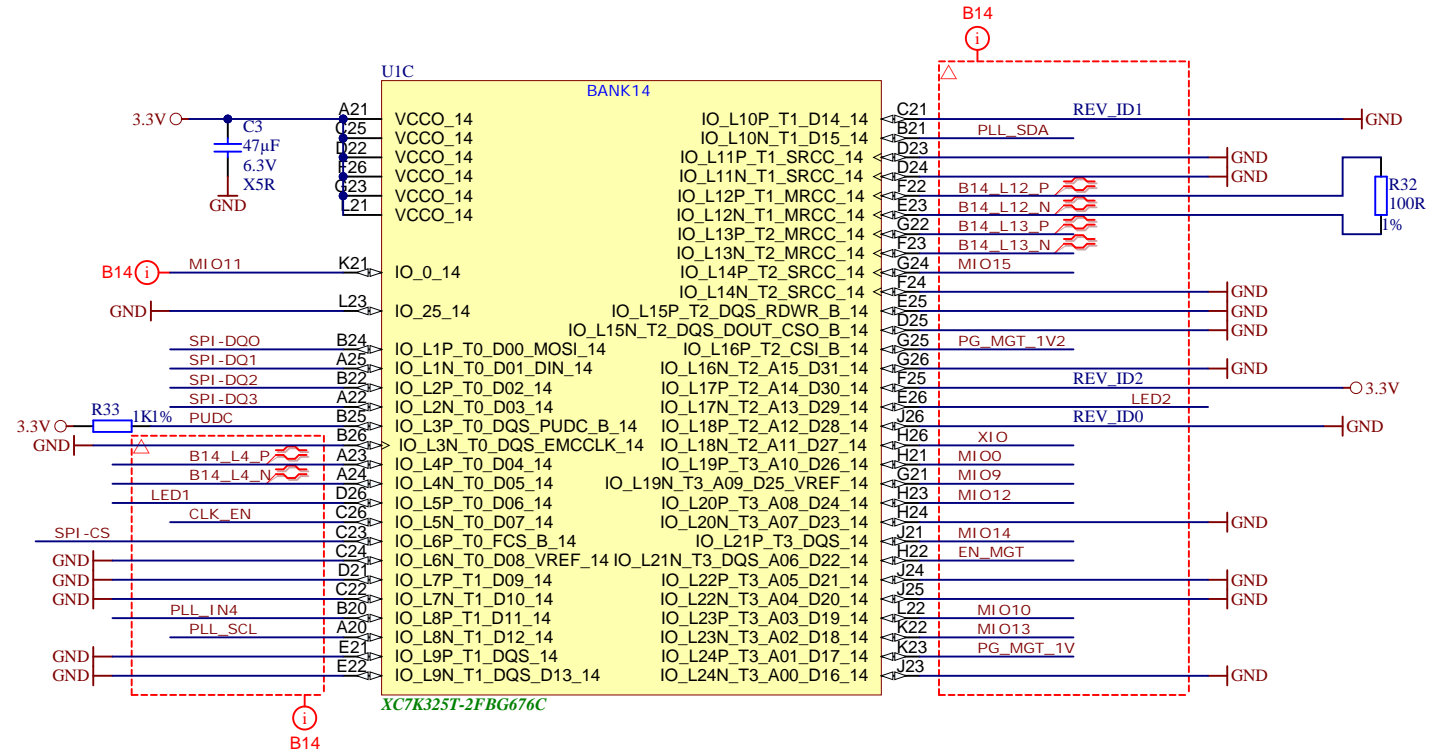




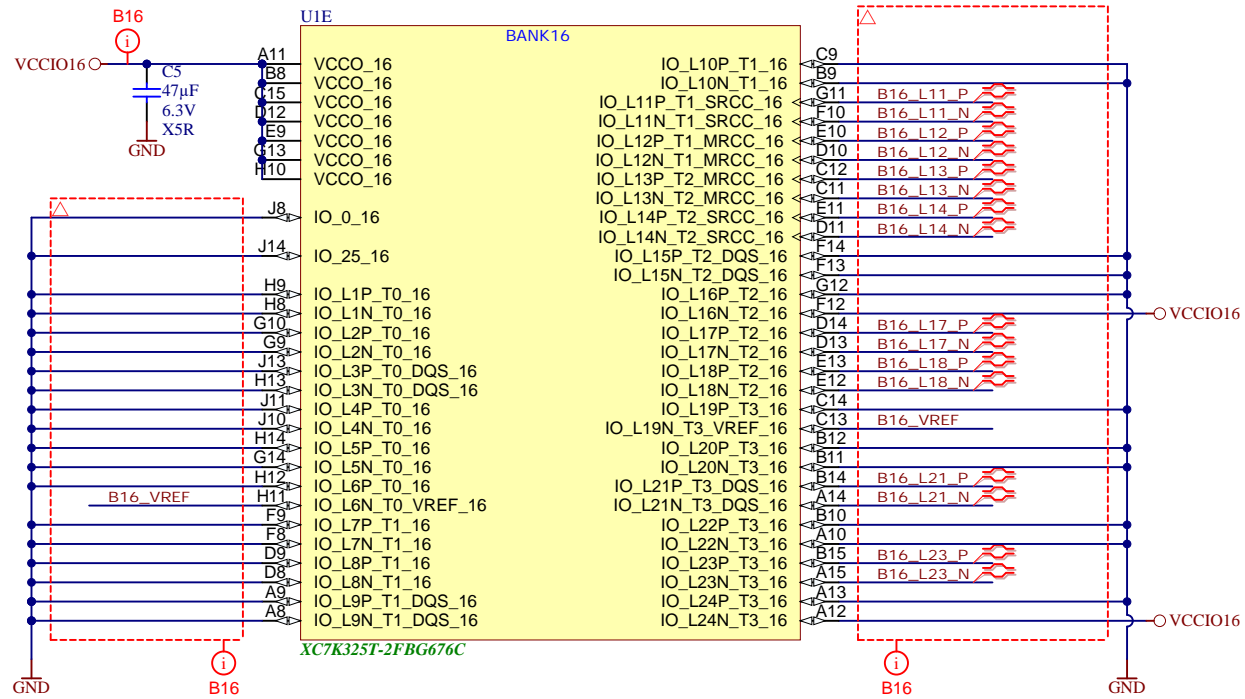
	Title: <b>TE0741</b>		
	A4	Number: <b>TE0741 D2C-1-A</b>	Rev. <b>04</b>
	Date: <b>2016-10-25</b>	Copyright: <b>2013 Trenz Electronic GmbH</b>	Page <b>4</b> of <b>17</b>
	Filename: <b>B13.SchDoc</b>		

Revision PCB Board:

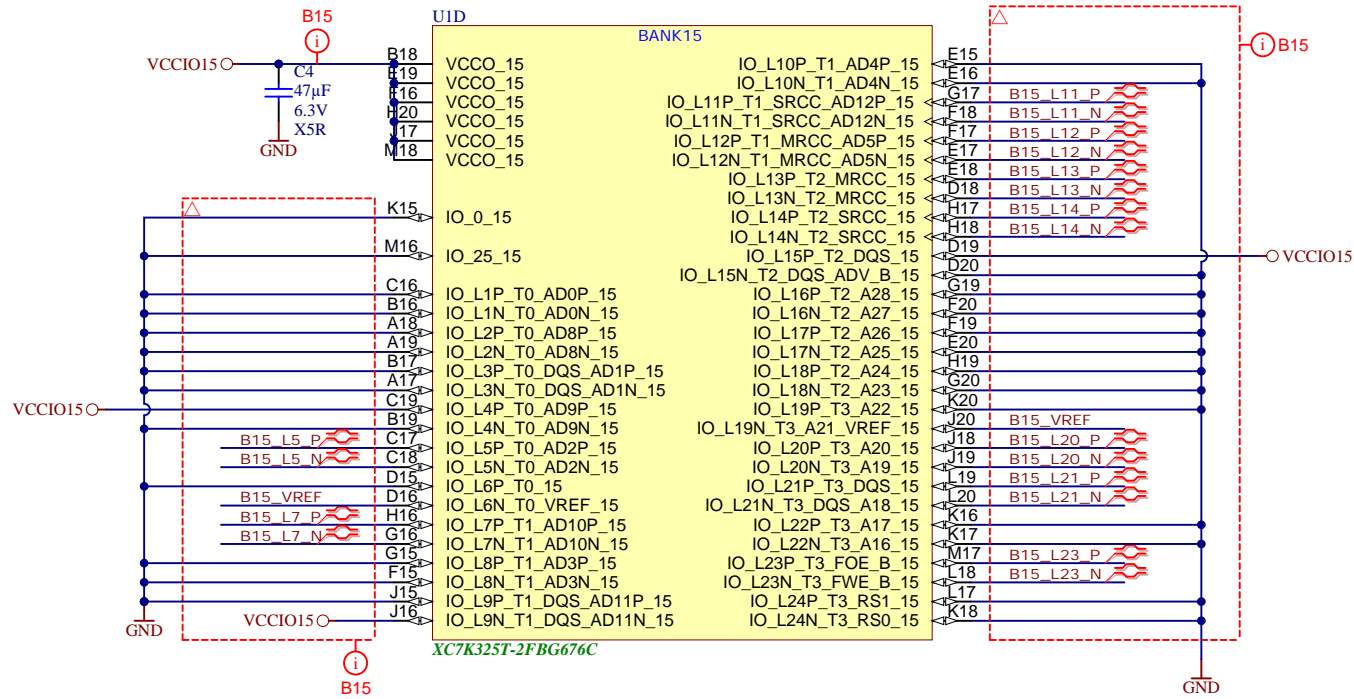

	"0"	"1"	"2"	"3"	"4"
REV_ID0	0	1	0	1	0
REV_ID1	0	0	1	1	0
REV_ID2	0	0	0	0	1



Title: TE0741		
A4	Number: TE0741 D2C-1-A	Rev. 04
Date: 2016-10-25	Copyright: 2013 Trenz Electronic GmbH	Page5 of 17
Filename: B14.SchDoc		



Title: TE0741		
A4	Number: TE0741 D2C-1-A	Rev. 04
Date: 2016-10-25	Copyright: 2013 Trenz Electronic GmbH	Page 6 of 17
Filename: B16.SchDoc		

Title: TE0741		
A4	Number: TE0741 D2C-1-A	Rev. 04
Date: 2016-10-25	Copyright: 2013 Trenz Electronic GmbH	Page 7 of 17
Filename: B15.SchDoc		

1

2

3

4

A

A

B

B

C

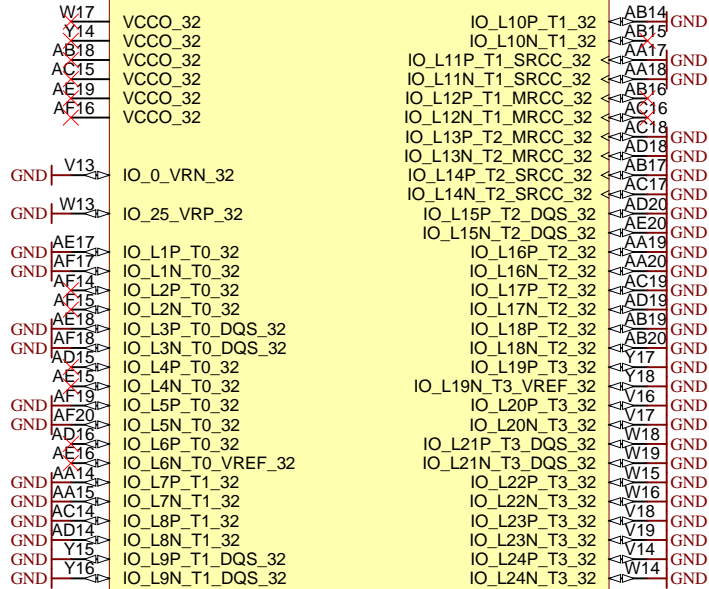
C

D

D

UIF

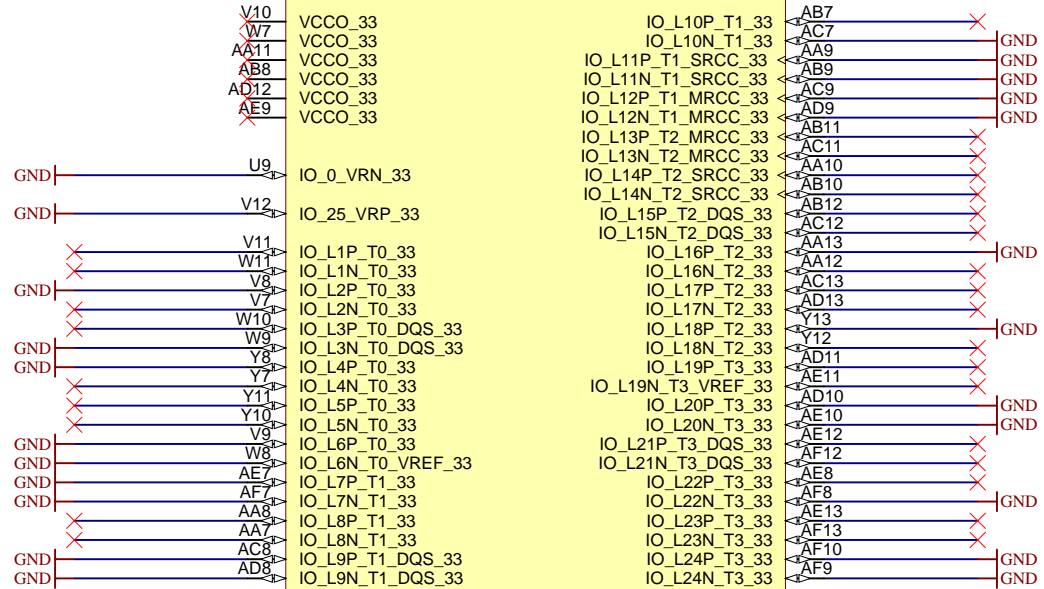
BANK32



XC7K325T-2FBG676C

UIG

BANK33



XC7K325T-2FBG676C



Title: TE0741		
A4	Number: TE0741 D2C-1-A	Rev. 04
Date: 2016-10-25	Copyright: 2013 Trenz Electronic GmbH	Page8 of 17
Filename: B33.SchDoc		

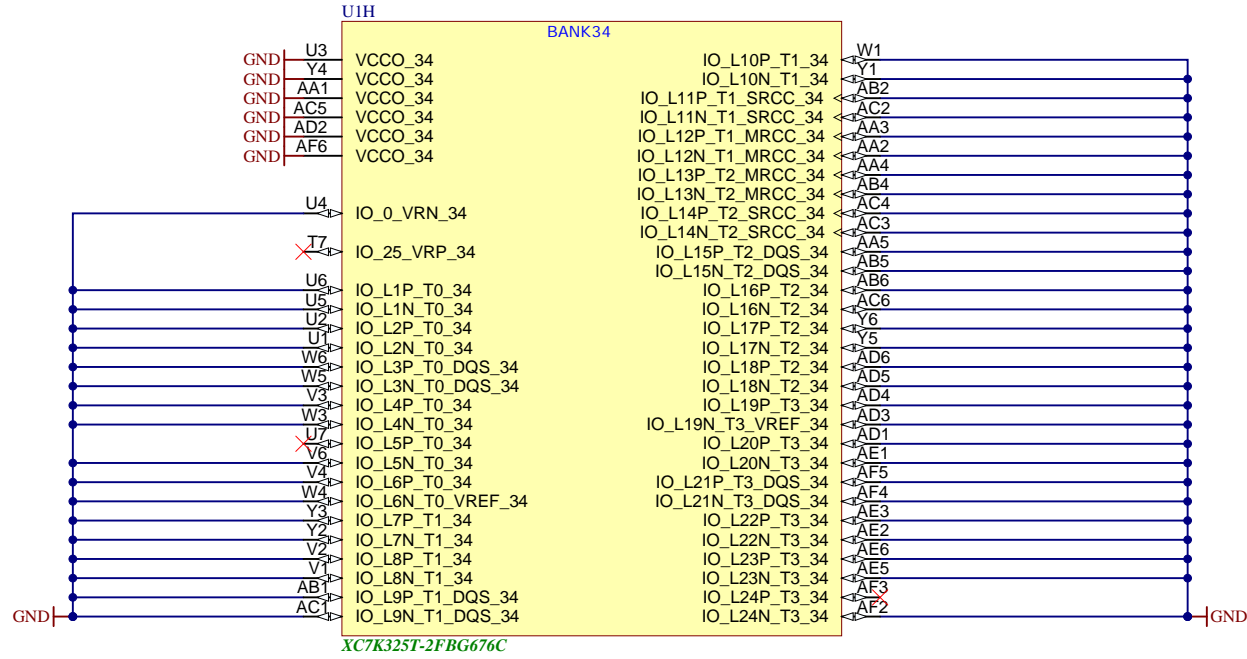
1


2

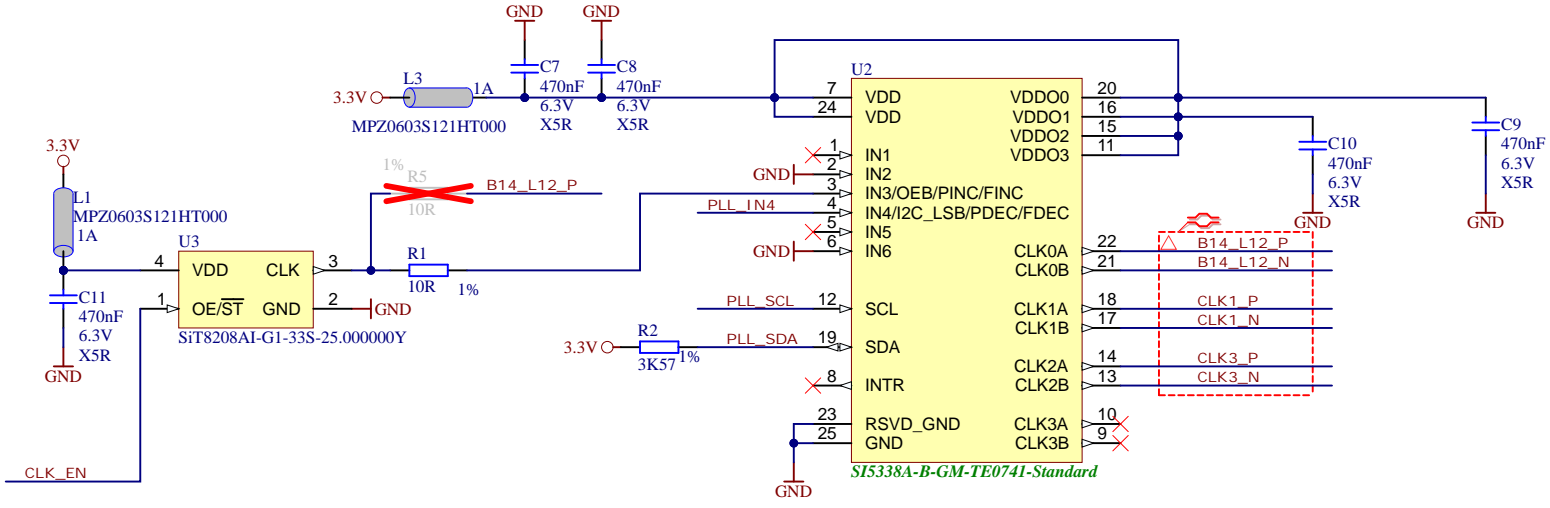
3


4

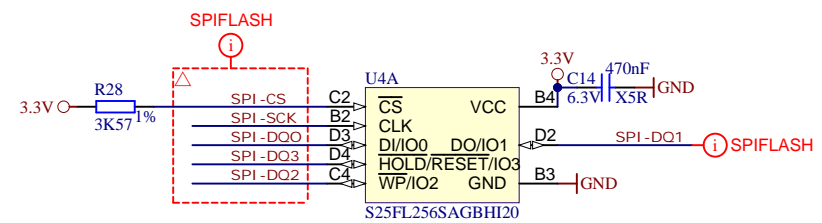
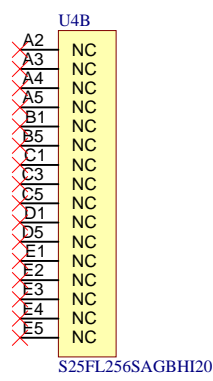
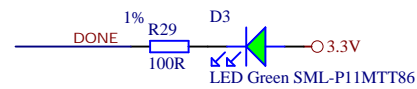
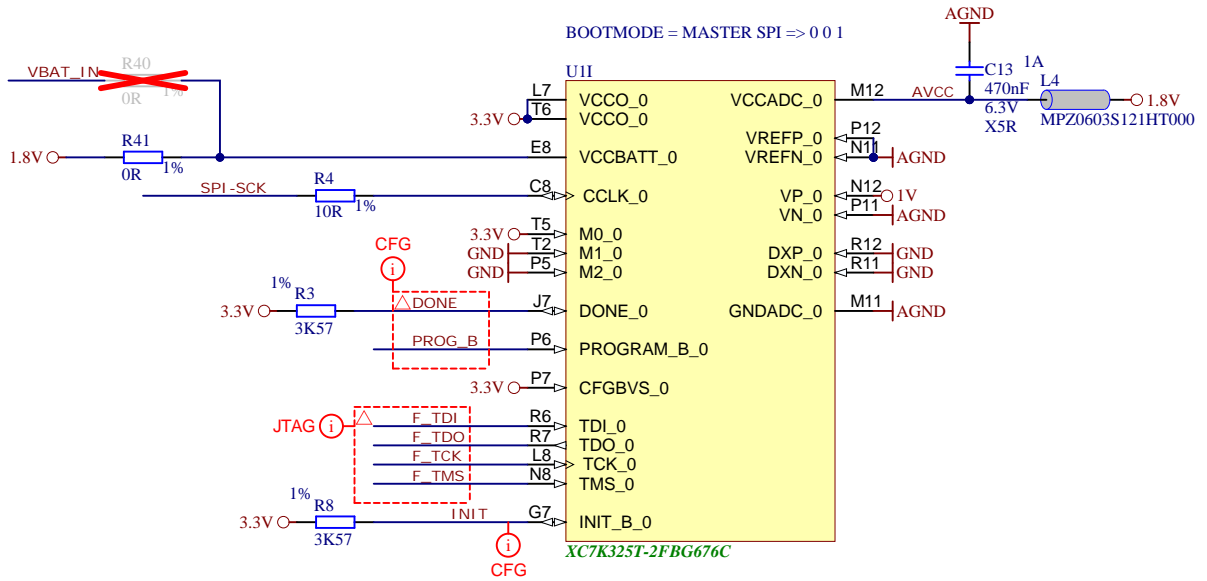





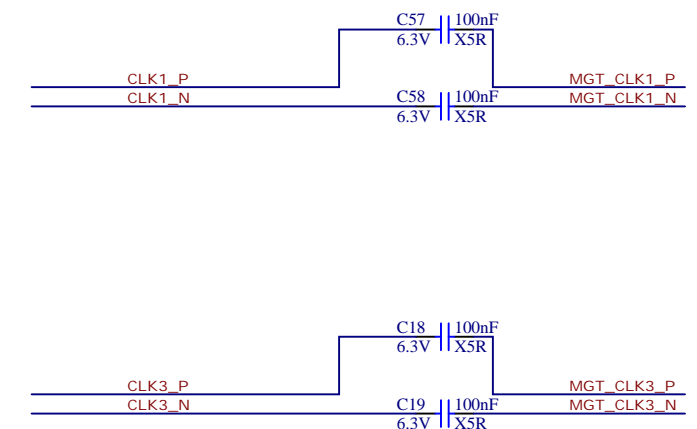
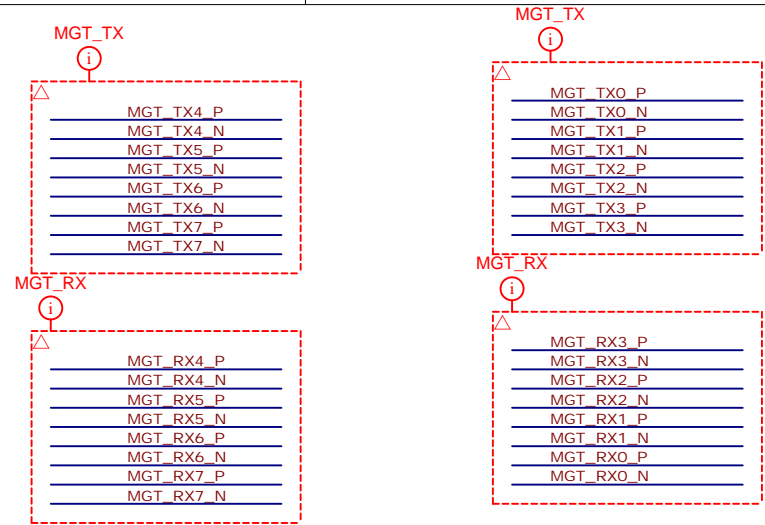
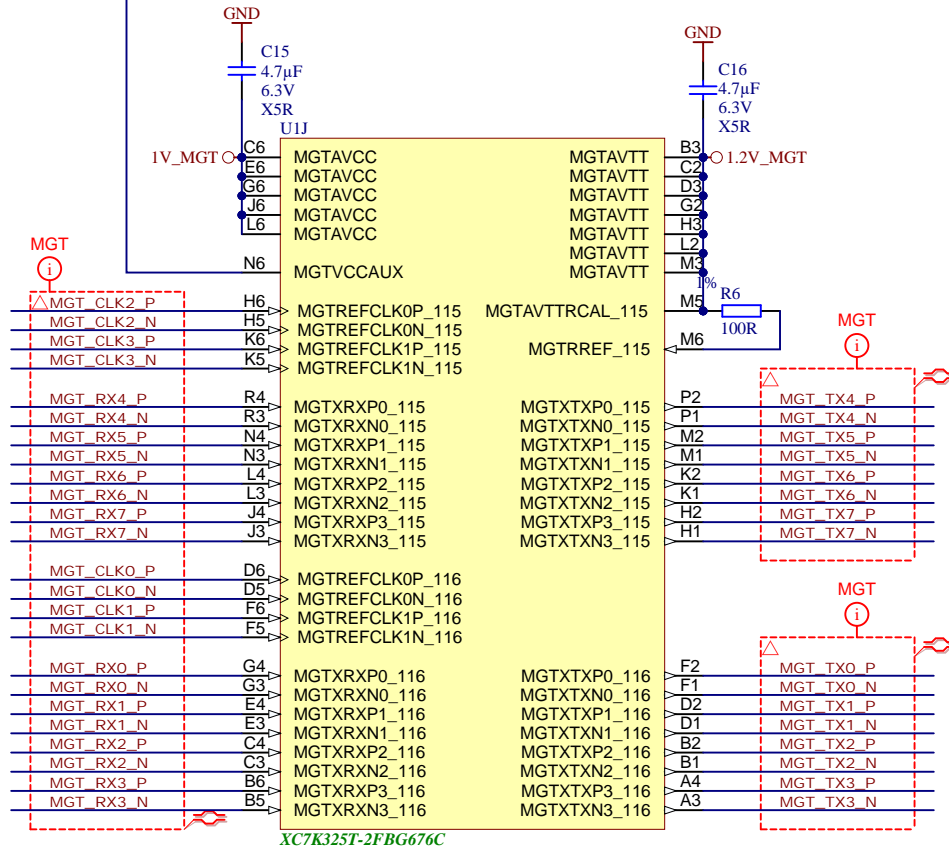
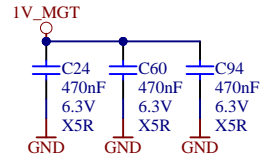
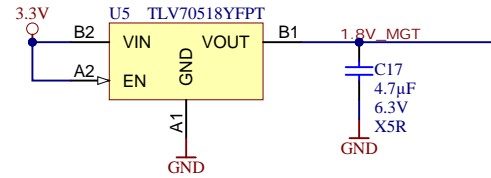

		Title: <b>TE0741</b>	
		A4	Number: <b>TE0741</b> <b>D2C-1-A</b>
Date: <b>2016-10-25</b>		Copyright: 2013 Trenz Electronic GmbH	
Page <b>9</b> of <b>17</b>		Filename: <b>B34.SchDoc</b>	



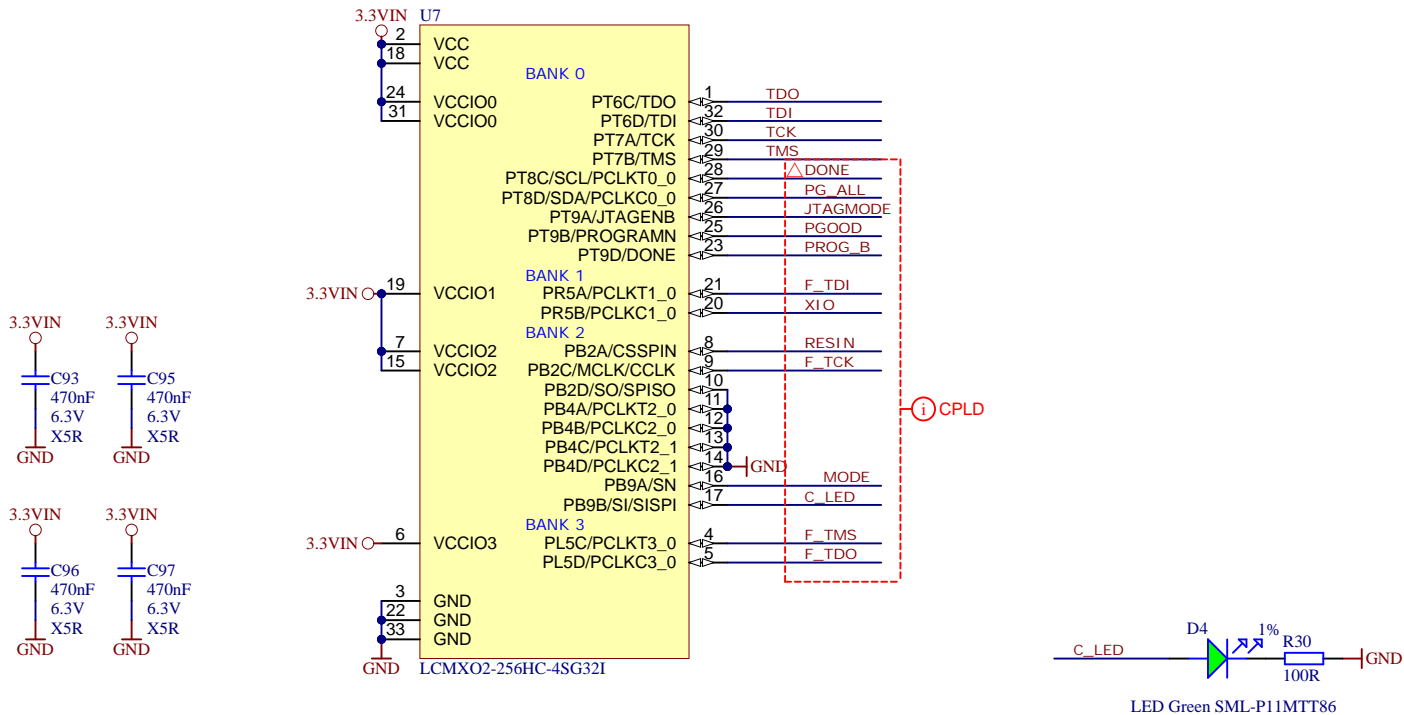
	Title: <b>TE0741</b>		
	A4	Number: <b>TE0741 D2C-1-A</b>	Rev. <b>04</b>
	Date: <b>2016-10-25</b>	Copyright: <b>2013 Trenz Electronic GmbH</b>	Page <b>10</b> of <b>17</b>
	Filename: <b>Clock.SchDoc</b>		



			Title: TE0741	
			A4	Number: TE0741 D2C-1-A
Date: 2016-10-25		Copyright: 2013 Trenz Electronic GmbH		Page 11 of 17
Filename: FPGA-CFG.SchDoc				

Title: TE0741		
A4	Number: TE0741 D2C-1-A	Rev. 04
Date: 2016-10-25	Copyright: 2013 Trenz Electronic GmbH	Page 12 of 17
Filename: FPGA-MGT.SchDoc		



	Title: <b>TE0741</b>	
	A4	Number: <b>TE0741 D2C-1-A</b>
	Date: <b>2016-10-25</b>	Copyright: <b>2013 Trenz Electronic GmbH</b>
	Rev. <b>04</b>	Page <b>13</b> of <b>17</b>
Filename: <b>FPGA-MISC.SchDoc</b>		

1

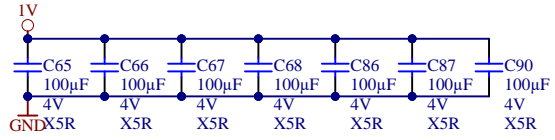
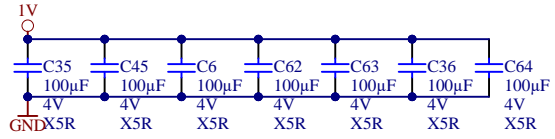
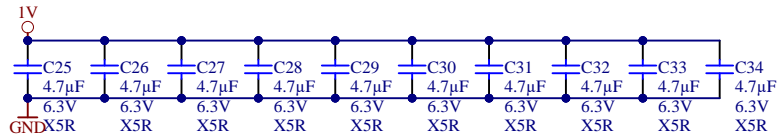
2

3

4

A

A



B

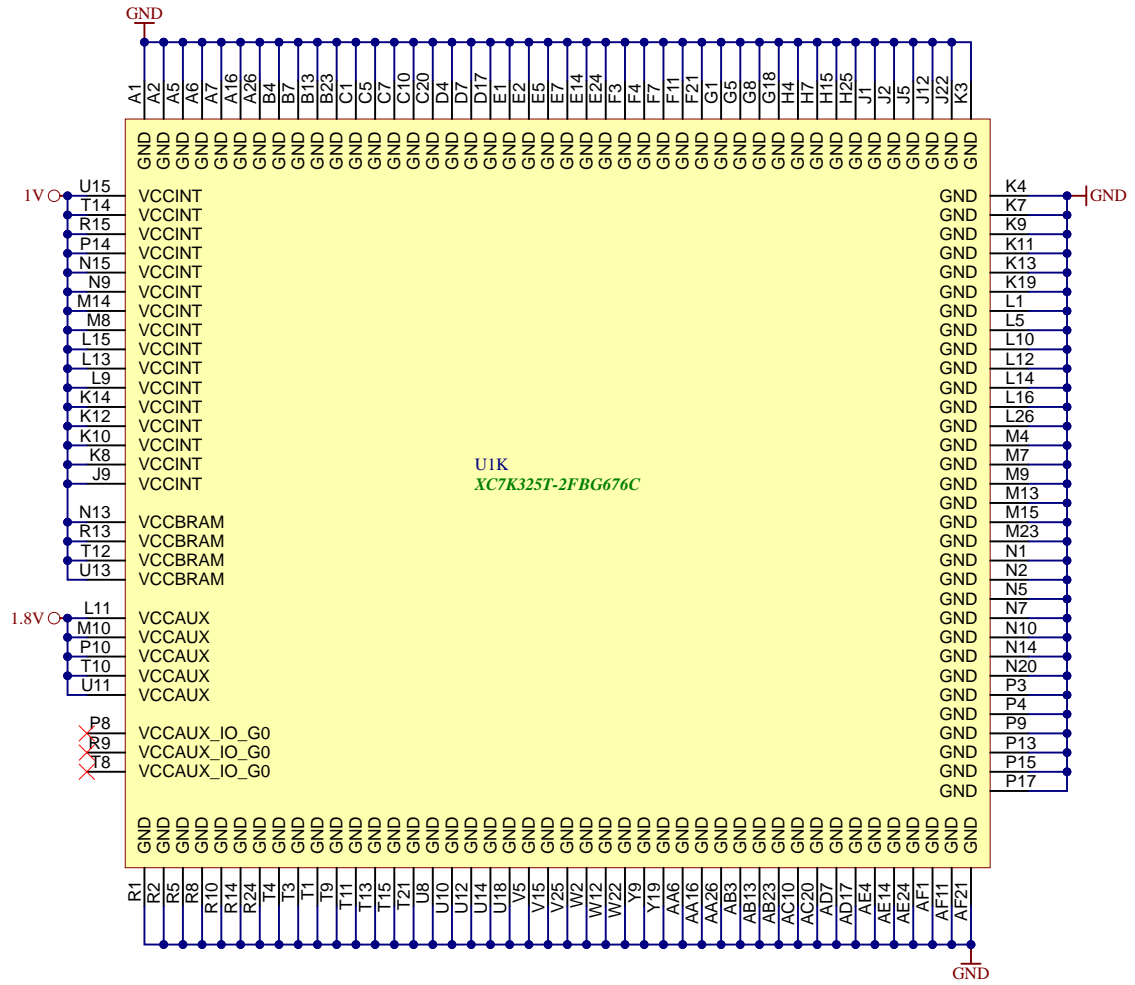
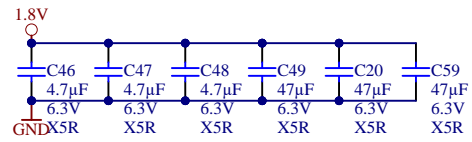
B

C

C

D

D



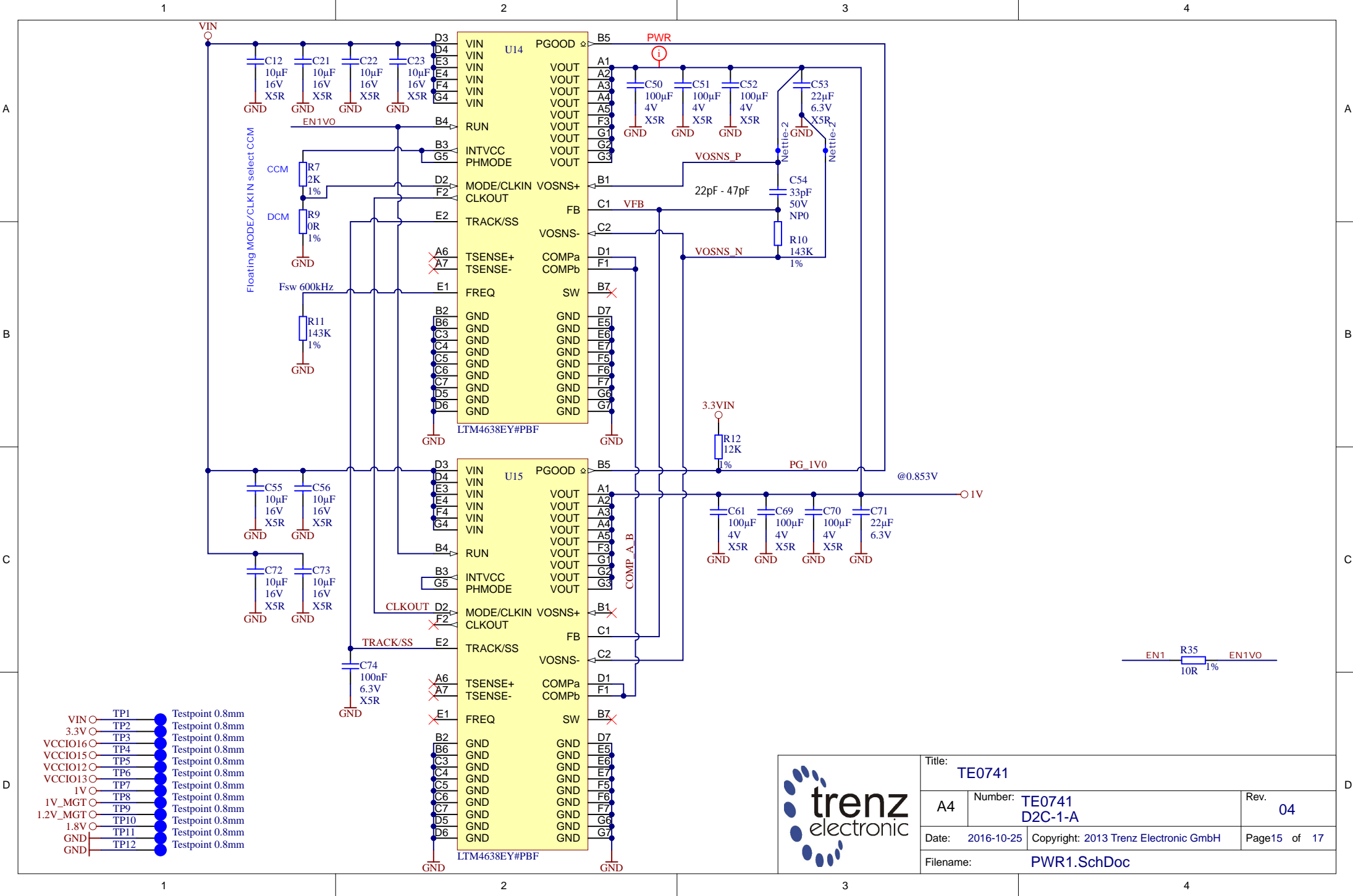
Title: TE0741		
A4	Number: TE0741 D2C-1-A	Rev. 04
Date: 2016-10-25	Copyright: 2013 Trenz Electronic GmbH	Page 14 of 17
Filename: FPGA-PWR.SchDoc		

1

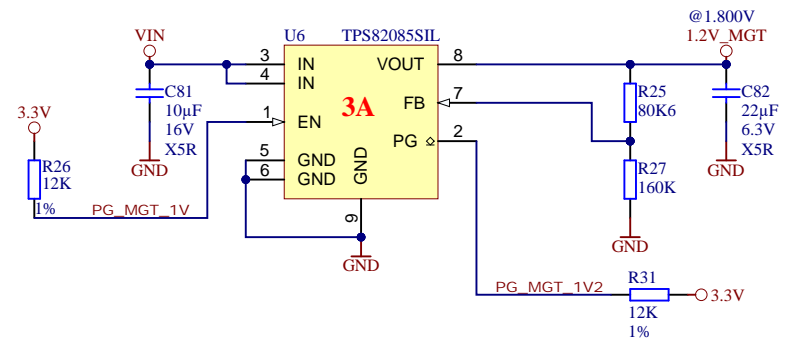
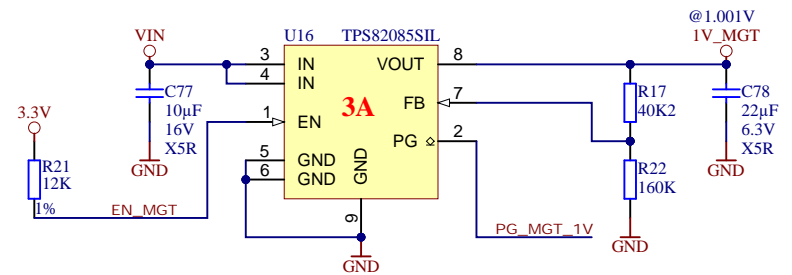
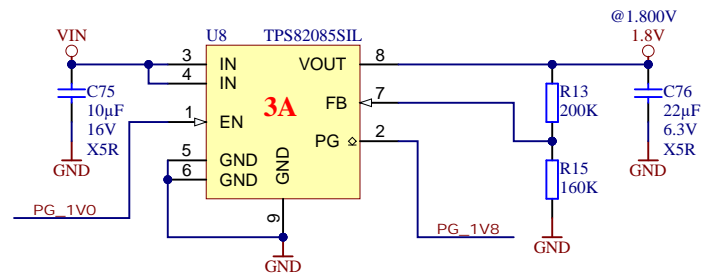
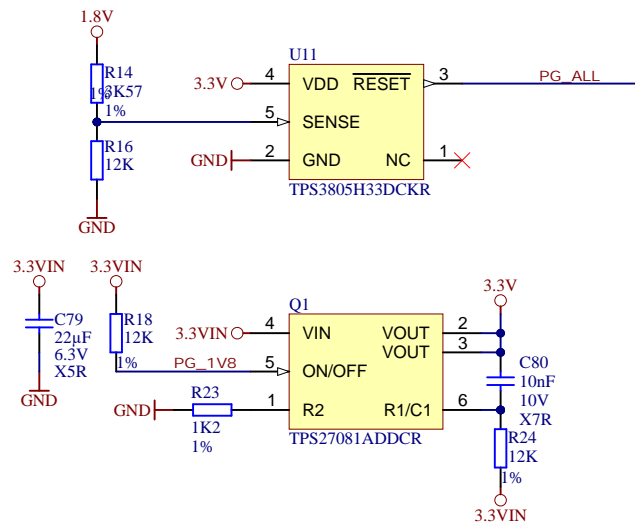
2

3

4



Title: TE0741		
A4	Number: TE0741 D2C-1-A	Rev. 04
Date: 2016-10-25	Copyright: 2013 Trenz Electronic GmbH	Page 15 of 17
Filename: PWR1.SchDoc		



Title: TE0741		
A4	Number: TE0741 D2C-1-A	Rev. 04
Date: 2016-10-25	Copyright: 2013 Trenz Electronic GmbH	Page 16 of 17
Filename: PWR2.SchDoc		



1

2

3

4

CHANGES REV02 to REV03

- 1) fixed connection DCDC for parallel operations
- 2) update Razorbeam Connectors, full update lib
- 3) added serial number (traceability pad)
- 4) changed ferrite beads L1..L4 size 0402 on BKP0603HS121-T
- 5) added thermal vias to mounting holes

Changes REV03 to REV04 (VT:10.2021):

- 1) replaced all DCDC (reason: not recommended use Enpirion DCDC)
- 2) remove Traceability Pad (reason: EOL)
- 3) added additional resistor for VBAT (reason: possibility using external VBAT from Carrier Board)
- 4) full upd LIB components
- 5) optimization PCB routing

A

A

B


B

C

C

D

D

		Title: TE0741 - Changes list	
		A4	Number: TE0741 D2C-1-A
Date: 2016-10-25		Copyright: Trenz Electronic GmbH	
Filename: Revision_Changes.SchDoc		Page 17 of 17	

1

2

3

4