



Photo Shows Similar Product

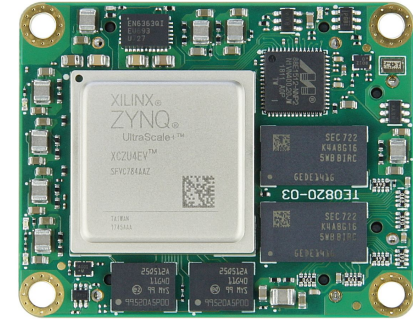


Photo Shows Similar Product

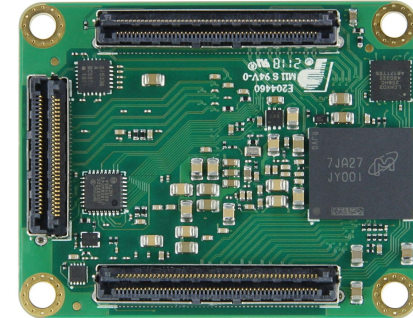


Photo Shows Similar Product

Regarding the usage of our schematics and alike documentation for Trenz module TE0820.

Project is protected under copyright and we strongly and strictly prohibit the reverse engineering or recreation, even if the design is just adapted or modified. TE0820 is protected under such right and in case of plagiarism we will have to do anything necessary in order to protect our assets.

Schematics and other handouts serve for informational purposes only!

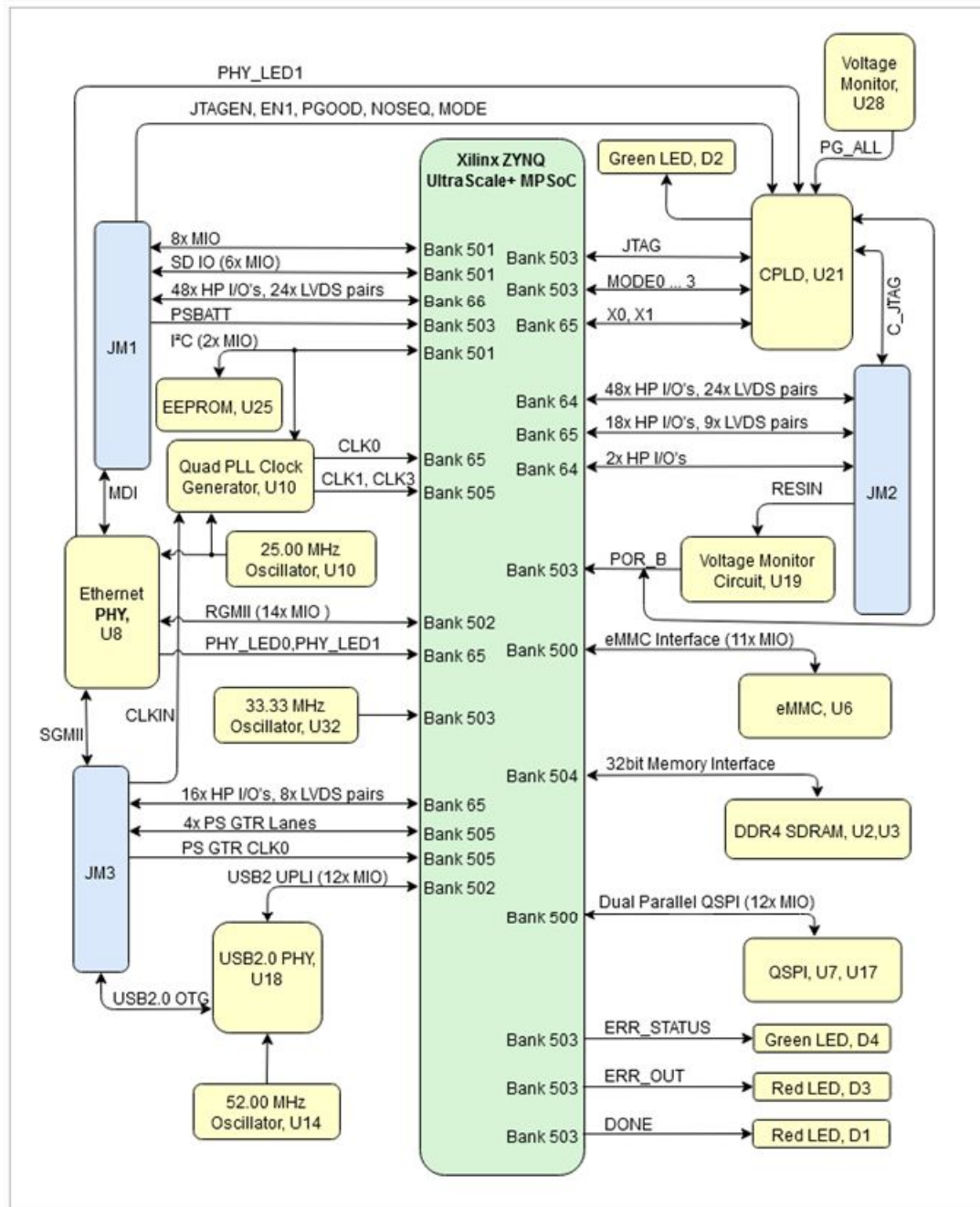


Title: TE0820 - Legal Notices		
A4	Number: TE0820 2BI81MA	Rev. 05
Date: 2022-05-10	Copyright: Trenz Electronic GmbH	Page 1 of 24
Filename: Legal Notices Modules.SchDoc		

REV	Description	
-01	Initial revision	VT
-02	<ul style="list-style-type: none"> 1) Added MAC EEPROM (slave address:) 2) LIB components update 3) Fixed SD Card connection 4) Fixed sense connection from DCDC 5) Made correct power connection for VCU (removed DCDC, added resistors and caps like as Xilinx recommended) 6) Added resistors for variants (ZU+ with/without VCU) 7) Added termination resistors (240R) to VRP pins fro all HP-banks 	VT
-03	<ul style="list-style-type: none"> 1) Fixed VCU connection: add additional DCDC (0.9V) 2) LIB components update 3) Change package 1K resistors (0402 -> 0201) 4) Added LEDs (1x user LED, 1x LED for ERR_STATUS, 1xLED for ERR_OUT) 5) Change obsolete 2xSPI Flash (256MBit) -> 2xSPI Flash (512MBit) 6) Added additional DCDCs (PL_VCCINT_IO, PS_FP0V85) 7) Changed DCDC (U5) 6A (optional 4A) 	VT
-04	<ul style="list-style-type: none"> 1) Fixed DDR4 connection (BG1), support B-die DDR4 Industrial grade chips 2) Added R93, changed value C62, change obsolete U28 3) Added R89 (10R) 4) Added additional caps 4.7uF to PS_AVTT/PS_AVCC (Xilinx doc UG583) 5) Changed R51 20k ->10K (PS_AVCC = 0.85V, Xilinx doc DS925 v1.17) 6) Fixed DDR4 connection (Alert) 7) Added 3.3V signal to CPLD 8) Added testpoints 9) LIB components update 	VT
-04A	<ul style="list-style-type: none"> 1) Added block diagram, updated module pictures 	VY
-05	<ul style="list-style-type: none"> 1) Changed EOL Ferrite Beads L1..5,L7,L9..12 2) Changed EOL DCDC U5 (EN6363QI -> MPM3860GQW-Z) 3) Changed EOL Load Switch U28 (TPS27082LDDCR -> MP5077GG-Z) 4) Added additional Decoupling Capacitors and changed caps 4.7uF to 10uF (Xilinx doc UG583 v1.23) 5) Added pull-down and testpoint to TEN DDR4 signal 6) Changed EOL Transistor T1 (AO7800 -> BSD840NH6327XTSA1) 7) Added Voltage Detector U30 (BD39040MUF-CE2) 8) Changed EOL eMMC U6 (MTFC4GACAJCN-4M -> SDINBDG4-8G-XI2) 9) Changed EOL MEMS U14 (SiT8008AI-73-XXS-52.000000E -> SiT8008BI-73-XXS-52.000000E) 10) Added signal PG_ALL (U30) to CPLD (pin5) 11) Added option (depends assembly variants, for all assembly variants R128 set as populated, instead special inquiry) signal POR_B through R128, T2 to CPLD (pin27) 12) Added option (depends assembly variants, for all assembly variants R95 set as DNP, instead special inquiry) signal EN1 through R95 to DCDC U5 13) Added option (depends assembly variants, for all assembly variants U29 and R129 set as populated, instead special inquiry) signal PHY_LED1 through Level Translator U29 to FPGA (U1.K7) 14) Added Resistors R130 & R131 (select Power-on delay override, for all assembly variants R130 set as DNP -> Standard PL Power-on delay time) 15) Added Diode D5 16) Added Power Diagram Sheet 17) LIB components update 	VT



Title: TE0820 - Revision Changes		
A4	Number: TE0820 2BI81MA	Rev. 05
Date: 2022-05-10	Copyright: Trenz Electronic GmbH	Page2 of 24
Filename: Revision Changes.SchDoc		



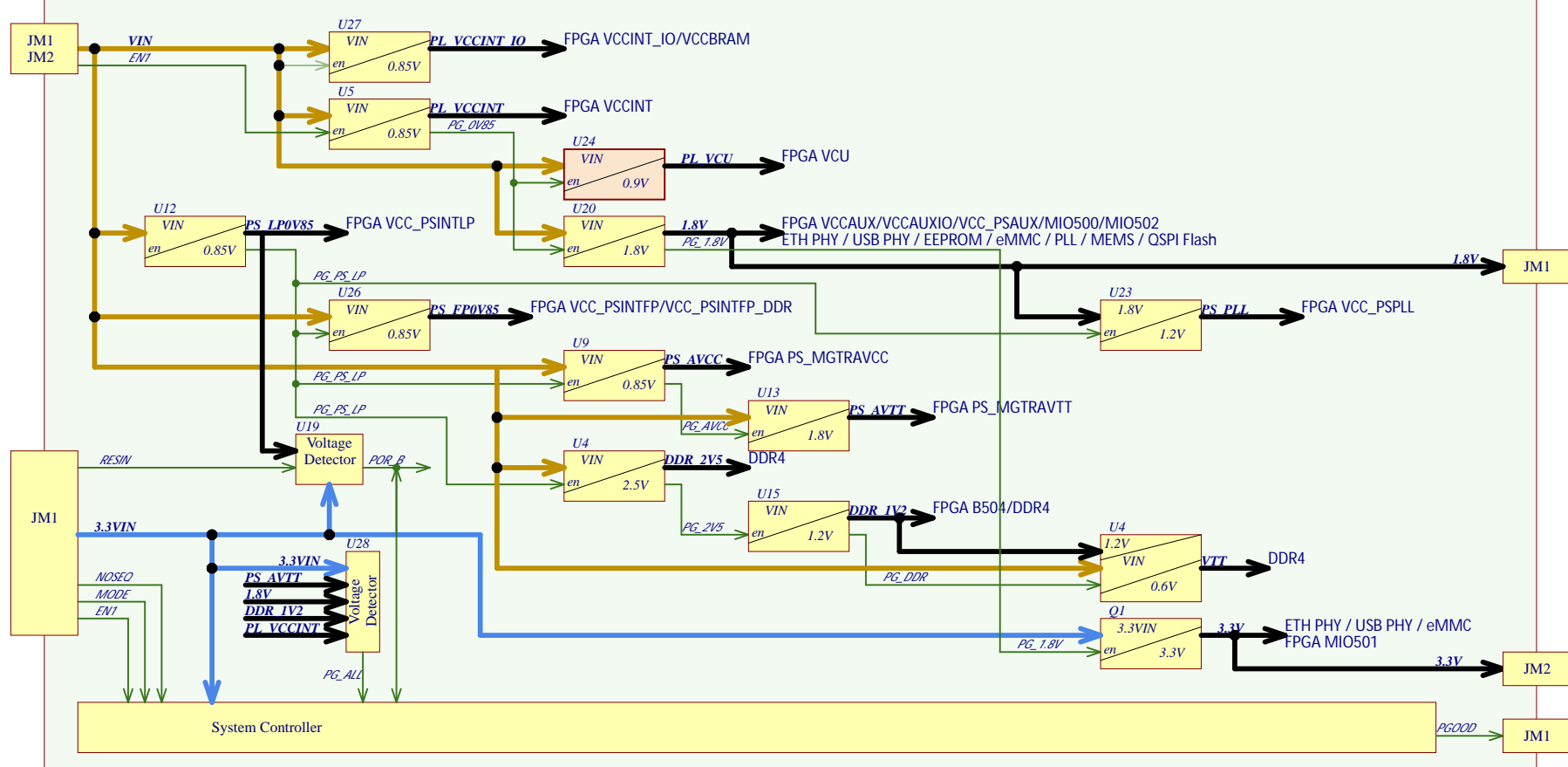
TE0820 List of Web Documentation

Web Document Name	Link	QR-code
TE0820 Resources	URL	
TE0820 TRM	URL	
TE0820 Reference Designs	URL	
TE0820 CPLD Firmware	URL	
TE0820 Product Change Notifications	URL	
TE0820 Design and Advisory Notes	URL	



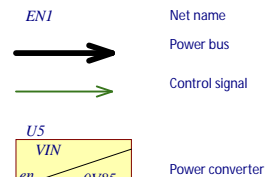
Title: TE0820 - System Overview		
A4	Number: TE0820 2BI81MA	Rev. 05
Date: 2022-05-10	Copyright: Trenz Electronic GmbH	
Filename: Overview.SchDoc		Page 3 of 24

Power-on sequencing:



Supported Voltage Ranges:

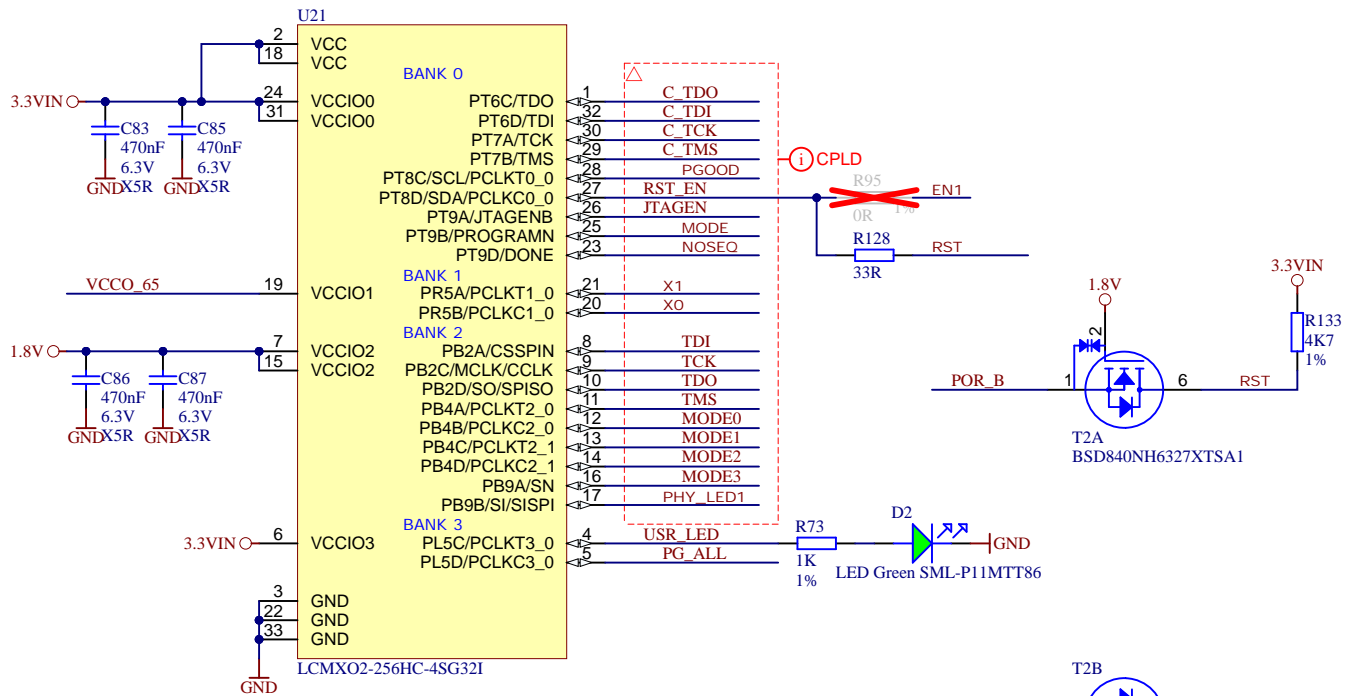
Power Rail	Direction	Range	Tolerance	Description	Note
VIN	IN	3.3 - 5V	+/-5%	Micromodule Power	-
3.3VIN	IN	3.3V	+/-5%	Micromodule Power	-
VCCO64	IN	1.2 - 1.8V	+/-3%	HP IO Bank64	-
VCCO65	IN	1.2 - 1.8V	+/-3%	HP IO Bank65	-
VCCO66	IN	1.2 - 1.8V	+/-3%	HP IO Bank66	-
PSBATT	IN	1.2 - 1.5V	+/-3%	PS battery-backed RAM and battery RTC	-
1.8V	OUT	1.8V	+/-3%	Power for Carrier	-
3.3V	OUT	3.3V	+/-3%	Power for Carrier	-



Title: TE0820 - Power Diagram		
A4	Number: TE0820 2BI81MA	Rev. 05
Date: 30.06.2022	Copyright: Trenz Electronic GmbH	Page 4 of 24
Filename: Power_Diagram.SchDoc		

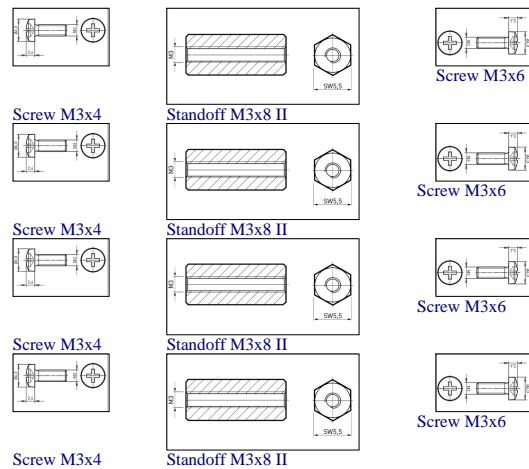
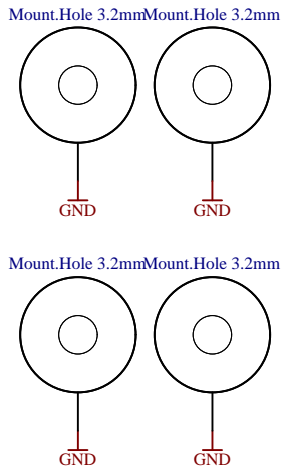
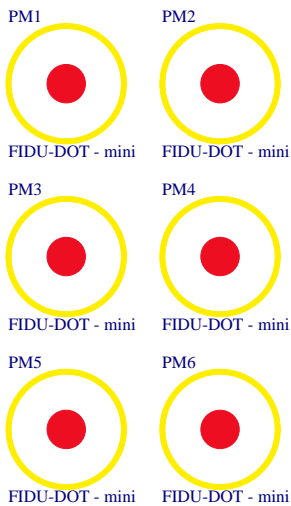
U_USB-PHY
USB-PHY.SchDoc
U_ETH-PHY
ETH-PHY.SchDoc
U_B_HD
B_HD.SchDoc
U_B64
B64.SchDoc
U_B65
B65.SchDoc
U_B66
B66.SchDoc
U_CONFIG
CONFIG.SchDoc
U_B_MIO
B_MIO.SchDoc
U_B_PS_GT
B_PS_GT.SchDoc
U_CLK
CLK.SchDoc

U_B2B-Connectors
B2B-Connectors.SchDoc
U_eMMC
eMMC.SchDoc
U_PS_DDR
PS_DDR.SchDoc
U_ZU_POWER
ZU_POWER.SchDoc
U_ZU_PS_POWER
ZU_PS_POWER.SchDoc
U_DDR4-RAM_2
DDR4-RAM_2.SchDoc
U_DDR4-RAM
DDR4-RAM.SchDoc
U_POWER
POWER.SchDoc
U_POWER_1
POWER_1.SchDoc



Special notes:

Serial
Serial
Serialnumber 6,3 x 6,3mm



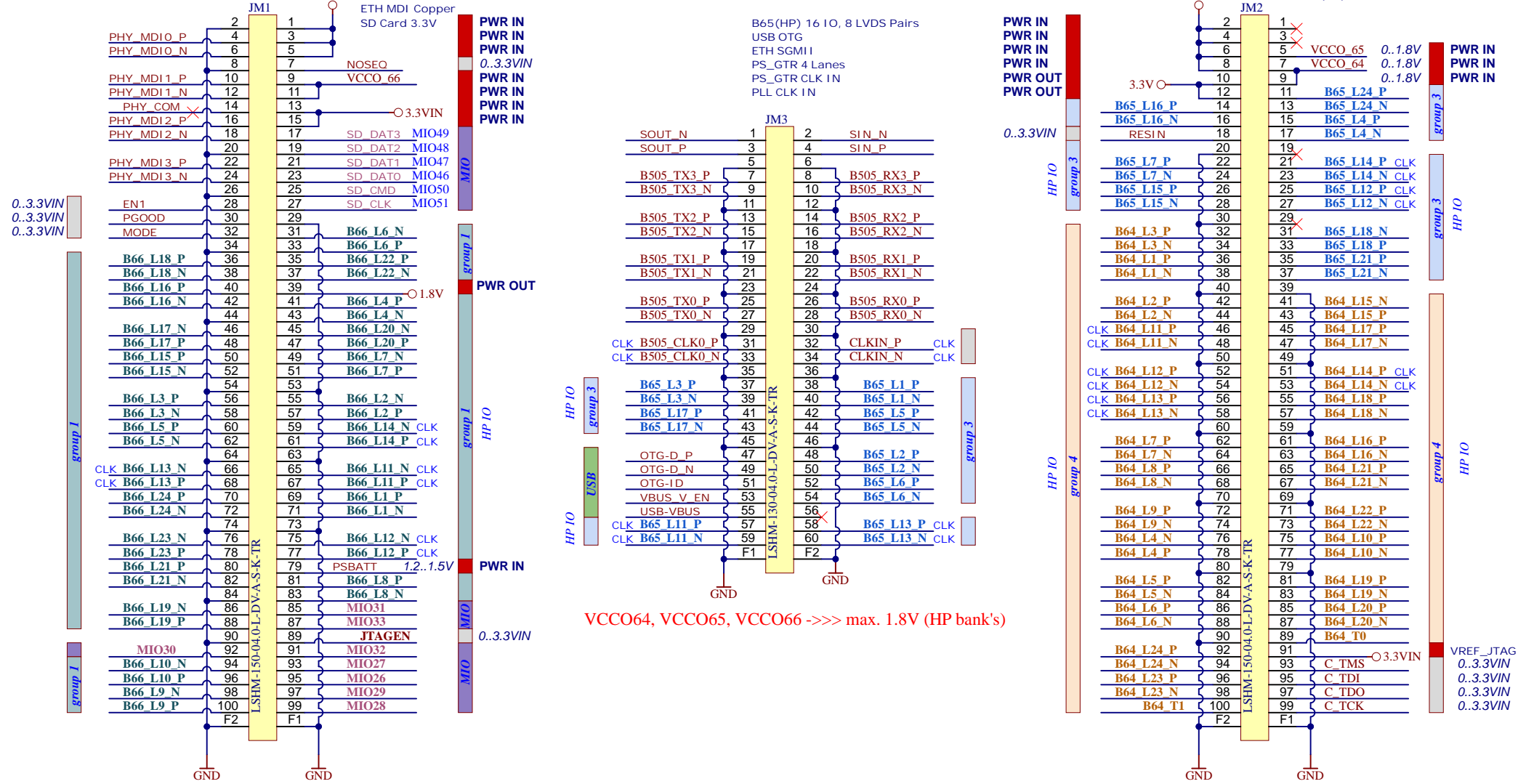
Assembly variant	2BI81MA
Created by	ED
Modified by	ED
Modified at	2022-07-26
SVN Revision	13497

Title: TE0820		
A4	Number: TE0820 2BI81MA	Rev. 05
Date: 2022-05-10	Copyright: Trenz Electronic GmbH	Page 5 of 24
Filename: TE0820.SchDoc		

B66(HP) 48 IO, 24 LVDS Pairs
 MIO501 8 IO, 3.3V
 ETH MDI Copper
 SD Card 3.3V

B65(HP) 16 IO, 8 LVDS Pairs
 USB OTG
 ETH SGMII
 PS_GTR 4 Lanes
 PS_GTR CLK IN
 PLL CLK IN

B65(HP) 18 IO, 9 LVDS Pairs
 B64(HP) 50 IO, 24 LVDS Pairs



0..3.3VIN
 0..3.3VIN
 0..3.3VIN

0..3.3VIN

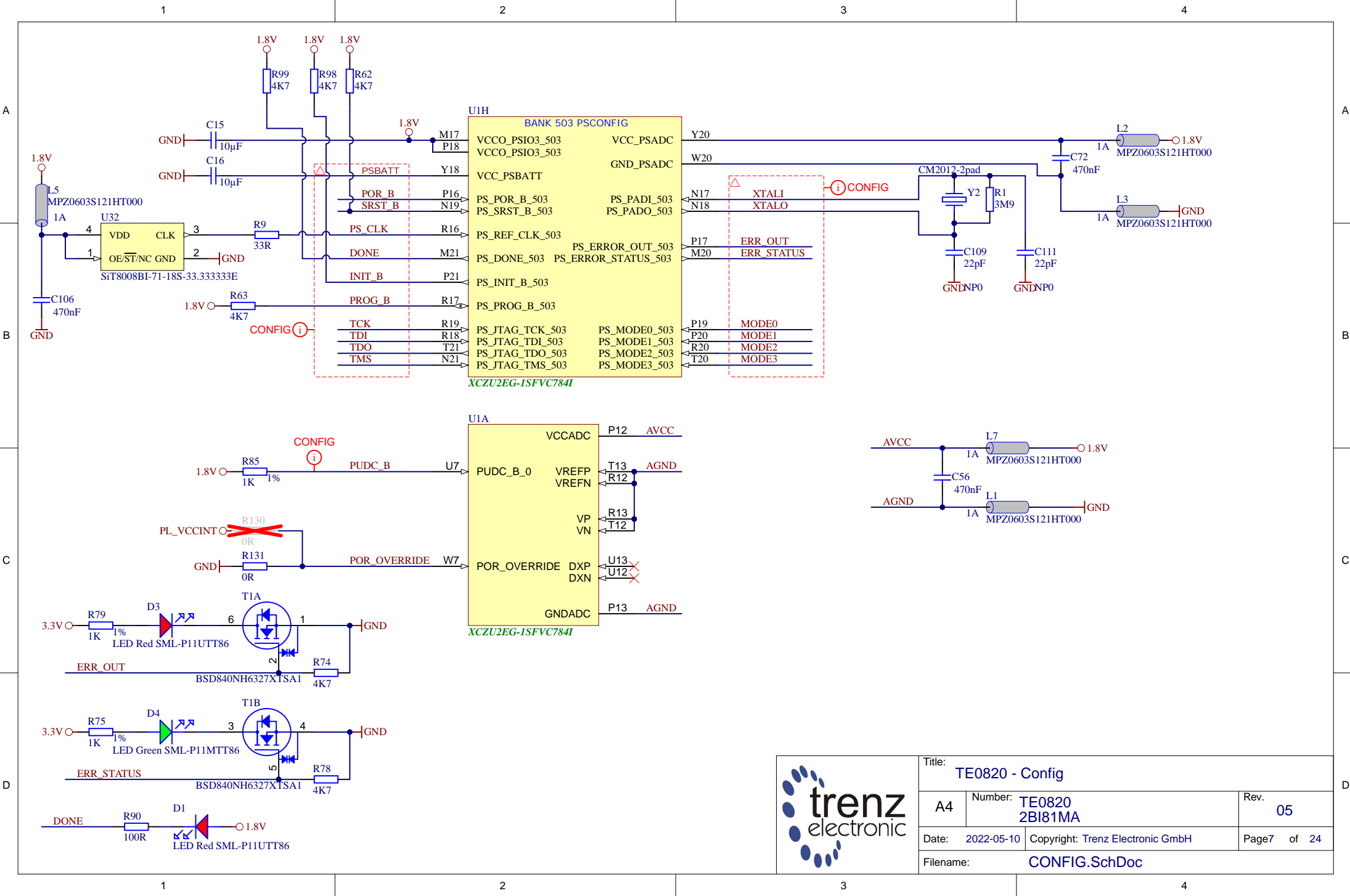
VCCO64, VCCO65, VCCO66 ->>> max. 1.8V (HP bank's)

MIO[29..26] ->PJTAG1

- VCCO_64 0.1.8V
- VCCO_65 0.1.8V
- VCCO_66 0.1.8V
- MIO 0..3.3V
- group 1 0..VCCO_66
- group 3 0..VCCO_65
- group 4 0..VCCO_64



Title: TE0820 - B2B Connectors		
A4	Number: TE0820 2BI81MA	Rev. 05
Date: 2022-05-10	Copyright: Trenz Electronic GmbH	Page6 of 24
Filename: B2B-Connectors.SchDoc		



Title: TE0820 - Config		
A4	Number: TE0820 2BI81MA	Rev. 05
Date: 2022-05-10	Copyright: Trenz Electronic GmbH	Page7 of 24
Filename: CONFIG.SchDoc		

UIC

F14	VCCO_26	BANK 26 HD (ZU4/5 BANK 46 HD)	
C15	VCCO_26		
B15	IO_L1P_AD11P_26	IO_L7P_HDGC_AD5P_26	G13
A15	IO_L1N_AD11N_26	IO_L7N_HDGC_AD5N_26	F13
B14	IO_L2P_AD10P_26	IO_L8P_HDGC_AD4P_26	F15
A14	IO_L2N_AD10N_26	IO_L8N_HDGC_AD4N_26	E15
B13	IO_L3P_AD9P_26	IO_L9P_AD3P_26	G15
A13	IO_L3N_AD9N_26	IO_L9N_AD3N_26	G14
C13	IO_L4P_AD8P_26	IO_L10P_AD2P_26	H14
C12	IO_L4N_AD8N_26	IO_L10N_AD2N_26	H13
D15	IO_L5P_HDGC_AD7P_26	IO_L11P_AD1P_26	K14
D14	IO_L5N_HDGC_AD7N_26	IO_L11N_AD1N_26	J14
E14	IO_L6P_HDGC_AD6P_26	IO_L12P_AD0P_26	L14
E13	IO_L6N_HDGC_AD6N_26	IO_L12N_AD0N_26	L13

BANK 44 HD (ZU4/5 BANK 43 HD)

AC10	VCCO_44		
AG12	VCCO_44		
AG10	IO_L1P_AD11P_44	IO_L7P_HDGC_AD5P_44	AD11
AH10	IO_L1N_AD11N_44	IO_L7N_HDGC_AD5N_44	AD10
AF14	IO_L2P_AD10P_44	IO_L8P_HDGC_AD4P_44	AB11
AG11	IO_L2N_AD10N_44	IO_L8N_HDGC_AD4N_44	AC11
AH13	IO_L3P_AD9P_44	IO_L9P_AD3P_44	AA11
AH12	IO_L3N_AD9N_44	IO_L9N_AD3N_44	AA10
AE10	IO_L4P_AD8P_44	IO_L10P_AD2P_44	W10
AF10	IO_L4N_AD8N_44	IO_L10N_AD2N_44	Y10
AE12	IO_L5P_HDGC_AD7P_44	IO_L11P_AD1P_44	Y9
AF12	IO_L5N_HDGC_AD7N_44	IO_L11N_AD1N_44	AA8
AC12	IO_L6P_HDGC_AD6P_44	IO_L12P_AD0P_44	AB10
AD12	IO_L6N_HDGC_AD6N_44	IO_L12N_AD0N_44	AB9

UIB


XCZU2EG-1SFVC784I

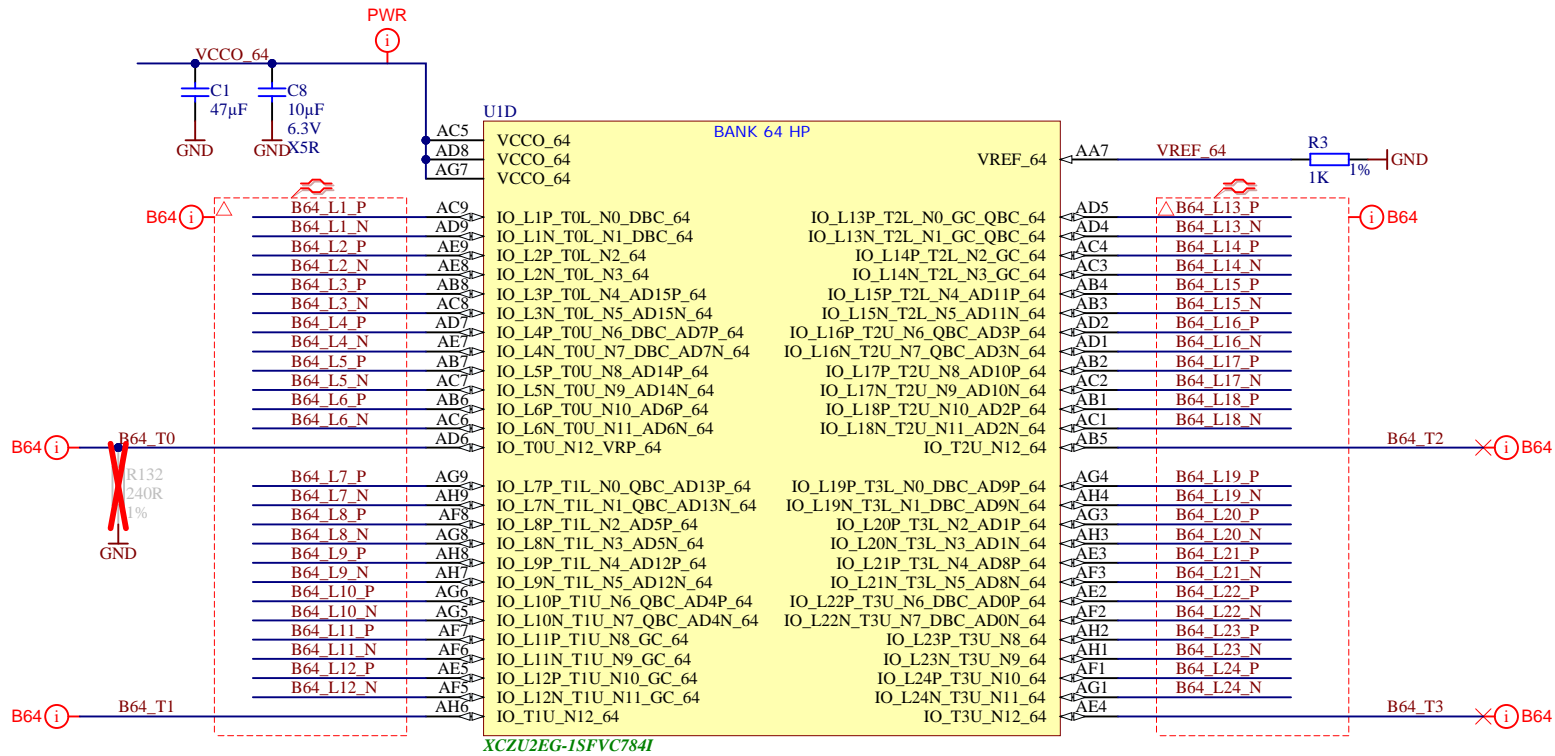
AA14	VCCO_24	BANK 24 HD (ZU4/5 BANK 44 HD)	
AD13	VCCO_24		
AE15	IO_L1P_AD15P_24	IO_L7P_HDGC_24	AA13
AE14	IO_L1N_AD15N_24	IO_L7N_HDGC_24	AB13
AG14	IO_L2P_AD14P_24	IO_L8P_HDGC_24	AB15
AH14	IO_L2N_AD14N_24	IO_L8N_HDGC_24	AB14
AG13	IO_L3P_AD13P_24	IO_L9P_AD11P_24	W14
AH13	IO_L3N_AD13N_24	IO_L9N_AD11N_24	W13
AE13	IO_L4P_AD12P_24	IO_L10P_AD10P_24	Y14
AF13	IO_L4N_AD12N_24	IO_L10N_AD10N_24	Y13
AD13	IO_L5P_HDGC_24	IO_L11P_AD9P_24	W12
AD14	IO_L5N_HDGC_24	IO_L11N_AD9N_24	W11
AC14	IO_L6P_HDGC_24	IO_L12P_AD8P_24	Y12
AC13	IO_L6N_HDGC_24	IO_L12N_AD8N_24	AA12

BANK 25 HD (ZU4/5 BANK 45 HD)

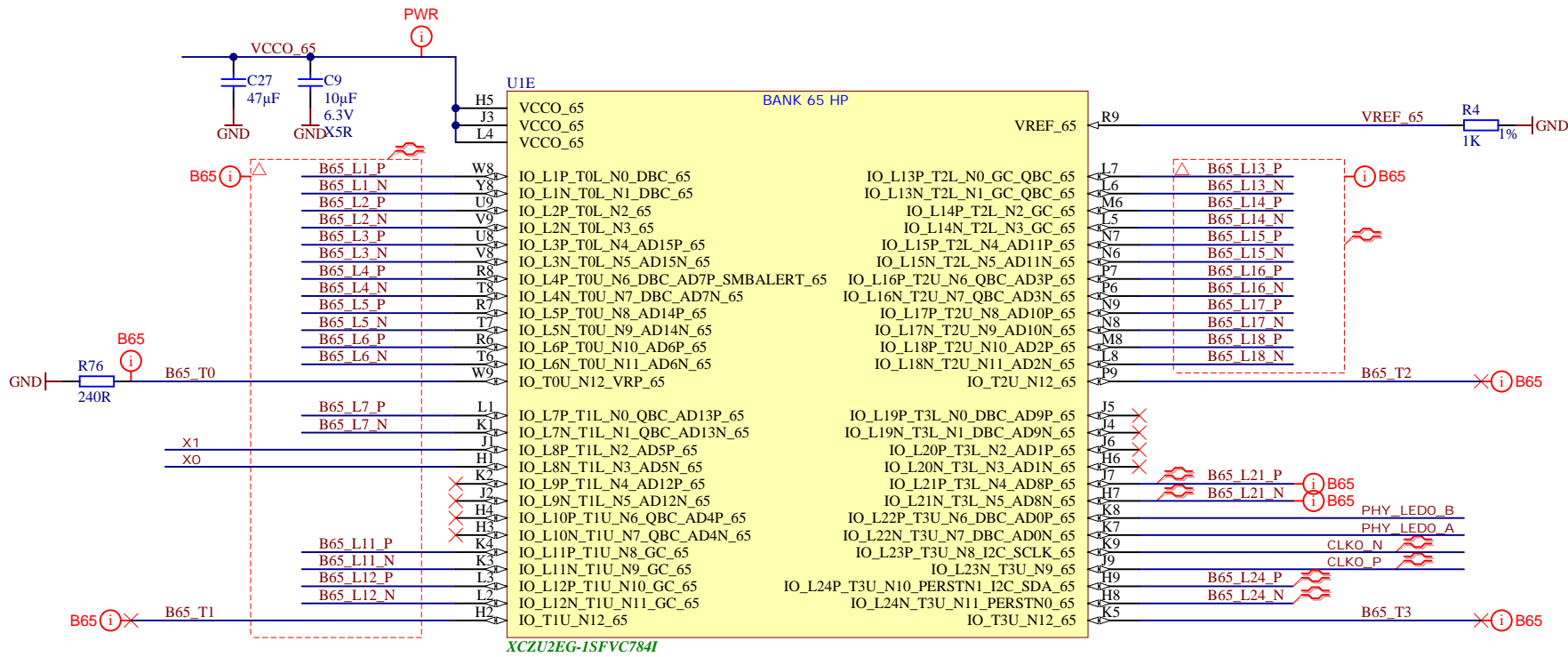
B12	VCCO_25		
E11	VCCO_25		
J11	IO_L1P_AD15P_25	IO_L7P_HDGC_25	E10
J10	IO_L1N_AD15N_25	IO_L7N_HDGC_25	D10
K13	IO_L2P_AD14P_25	IO_L8P_HDGC_25	E12
K12	IO_L2N_AD14N_25	IO_L8N_HDGC_25	D11
H14	IO_L3P_AD13P_25	IO_L9P_AD11P_25	C11
G10	IO_L3N_AD13N_25	IO_L9N_AD11N_25	B10
J12	IO_L4P_AD12P_25	IO_L10P_AD10P_25	B11
H13	IO_L4N_AD12N_25	IO_L10N_AD10N_25	A10
G11	IO_L5P_HDGC_25	IO_L11P_AD9P_25	A12
F10	IO_L5N_HDGC_25	IO_L11N_AD9N_25	A11
D12	IO_L6P_HDGC_25	IO_L12P_AD8P_25	D12
F11	IO_L6N_HDGC_25	IO_L12N_AD8N_25	C12

XCZU2EG-1SFVC784I

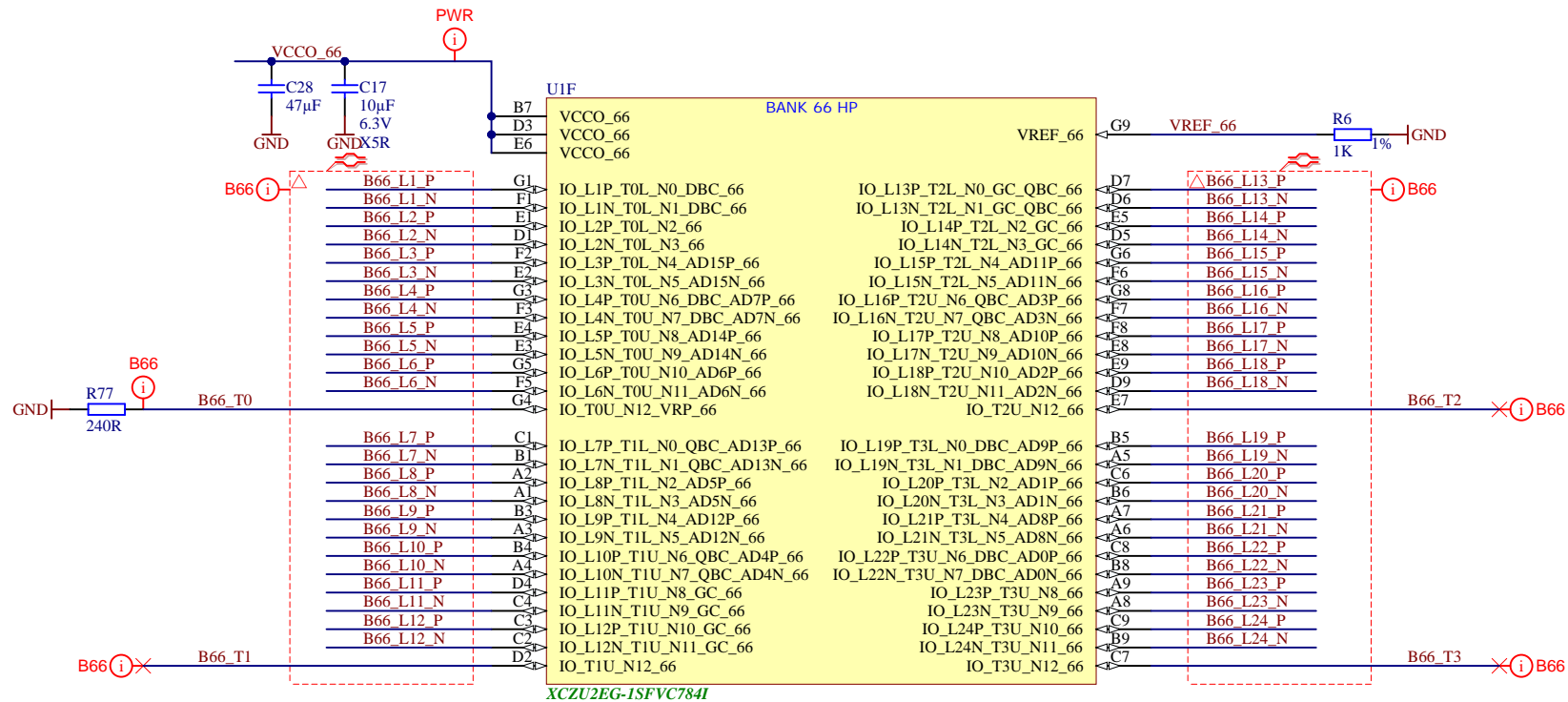
	Title: TE0820 - HD Banks		
	A4	Number: TE0820 2BI81MA	Rev. 05
	Date: 2022-05-10	Copyright: Trenz Electronic GmbH	Page8 of 24
	Filename: B_HD.SchDoc		



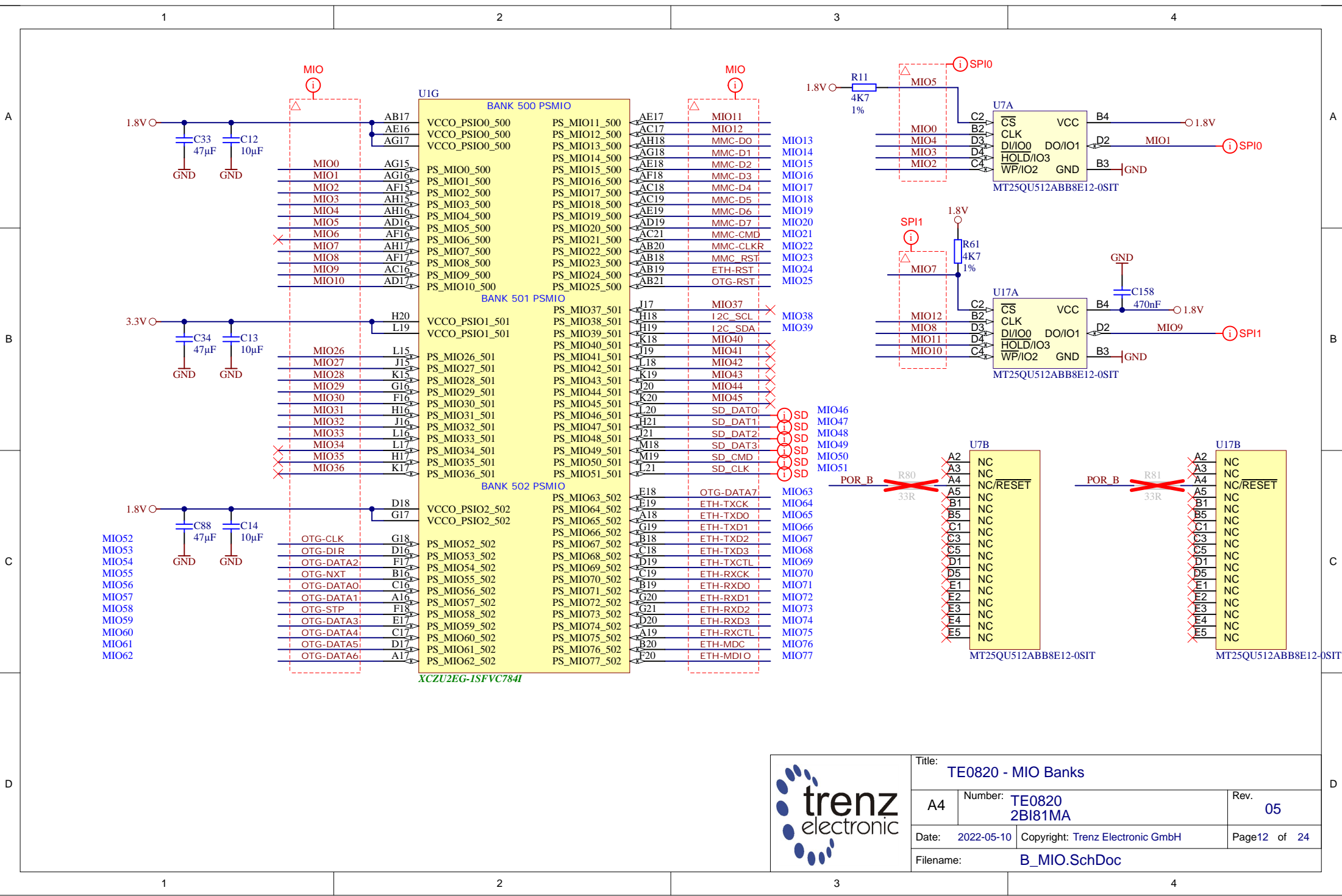
Title: TE0820 - B64		
A4	Number: TE0820 2BI81MA	Rev. 05
Date: 2022-05-10	Copyright: Trenz Electronic GmbH	Page9 of 24
Filename: B64.SchDoc		



Title: TE0820 - B65		
A4	Number: TE0820 2BI81MA	Rev. 05
Date: 2022-05-10	Copyright: Trenz Electronic GmbH	Page 10 of 24
Filename: B65.SchDoc		



Title: TE0820 - B66		
A4	Number: TE0820 2BI81MA	Rev. 05
Date: 2022-05-10	Copyright: Trenz Electronic GmbH	Page 11 of 24
Filename: B66.SchDoc		



trenz electronic

Title: **TE0820 - MIO Banks**

A4	Number: TE0820 2BI81MA	Rev. 05
Date: 2022-05-10	Copyright: Trenz Electronic GmbH	
Filename: B_MIO.SchDoc	Page 12 of 24	

A

B

C

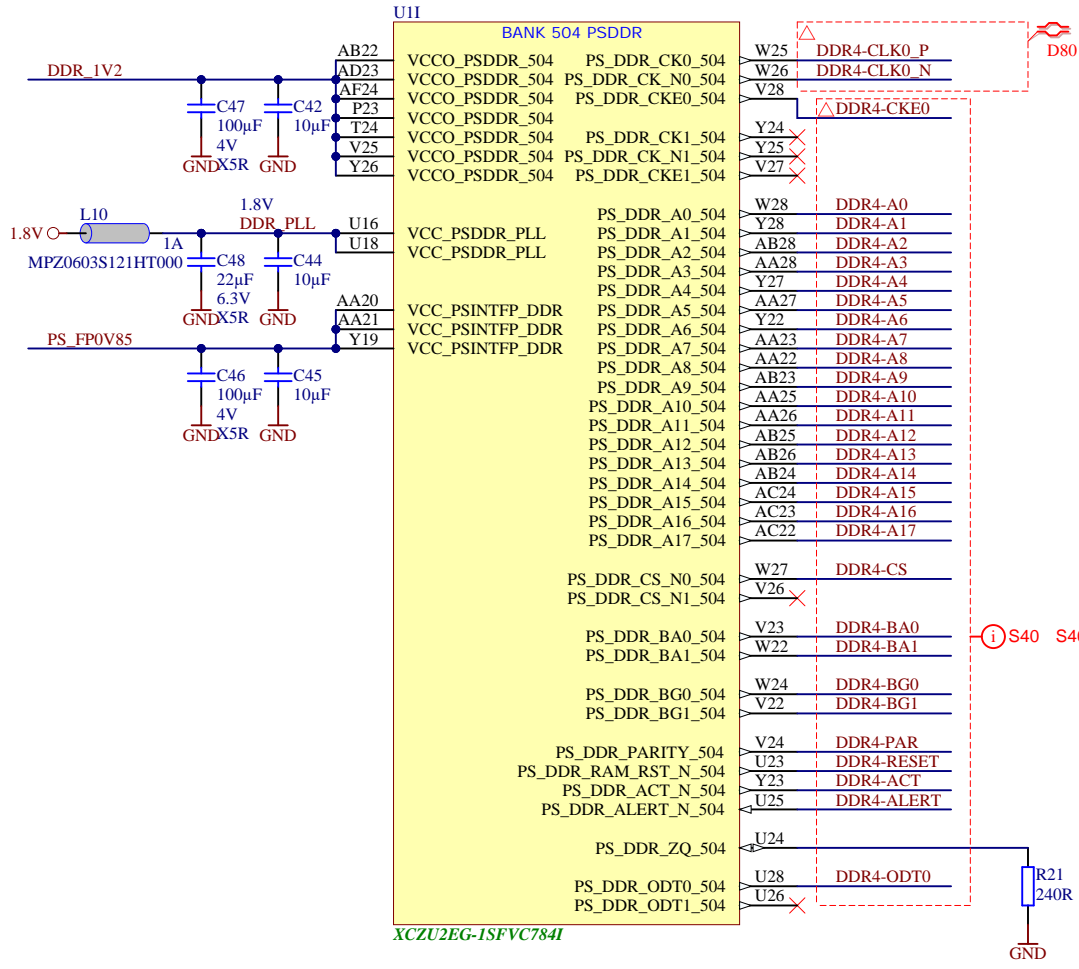
D

A

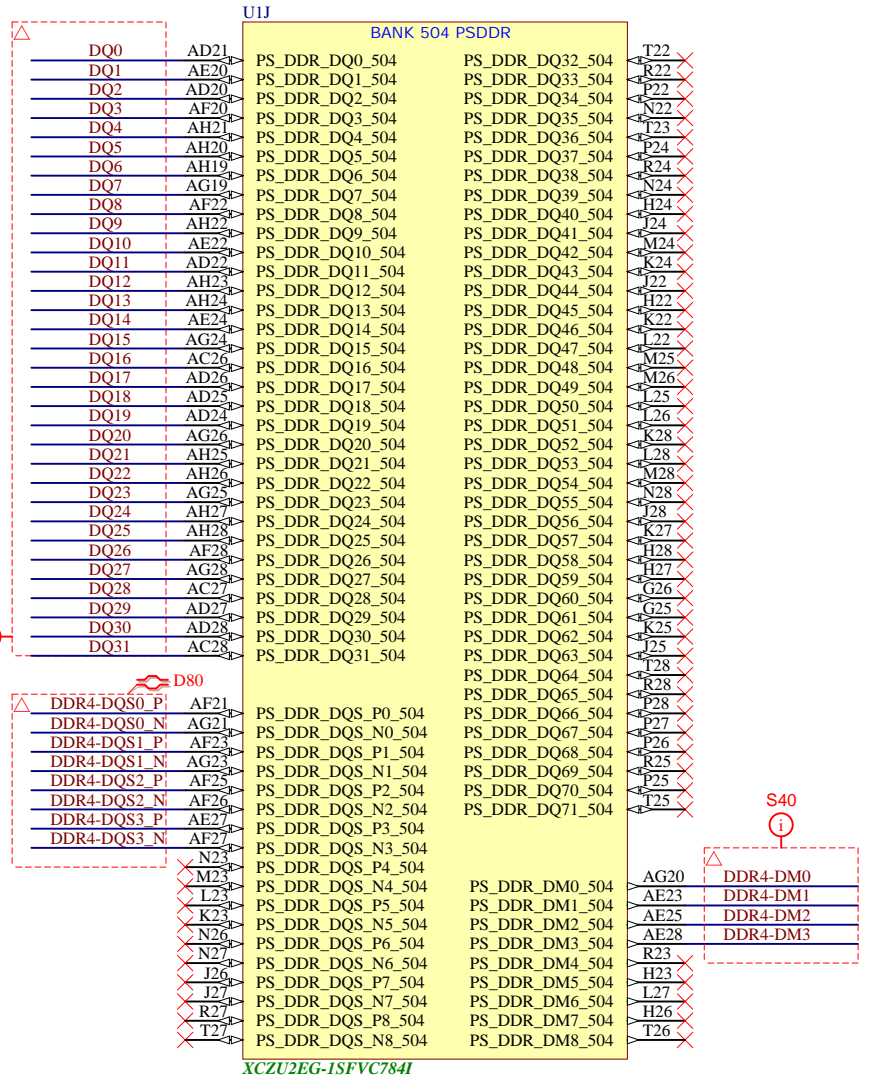
B

C

D



XCZU2EG-1SFVC784I



XCZU2EG-1SFVC784I



Title: TE0820 - PS_DDR		
A4	Number: TE0820 2BI81MA	Rev. 05
Date: 2022-05-10	Copyright: Trenz Electronic GmbH	Page 13 of 24
Filename: PS_DDR.SchDoc		

1

2

3

4

A

A

B

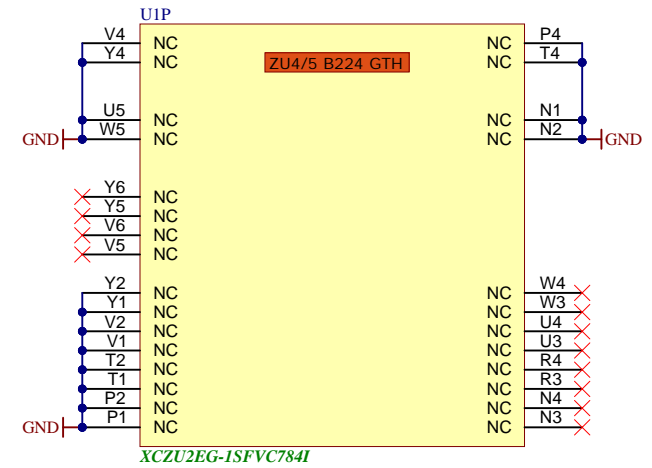
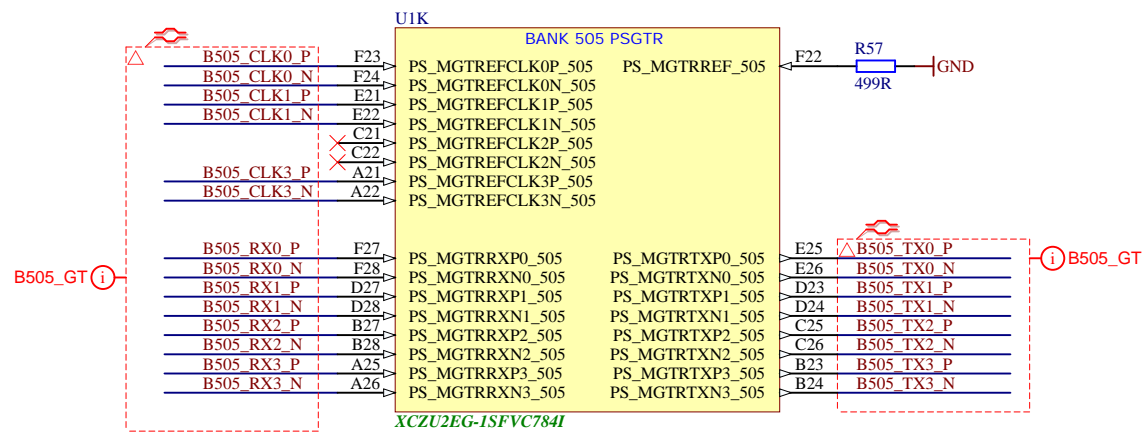
B

C

C

D

D



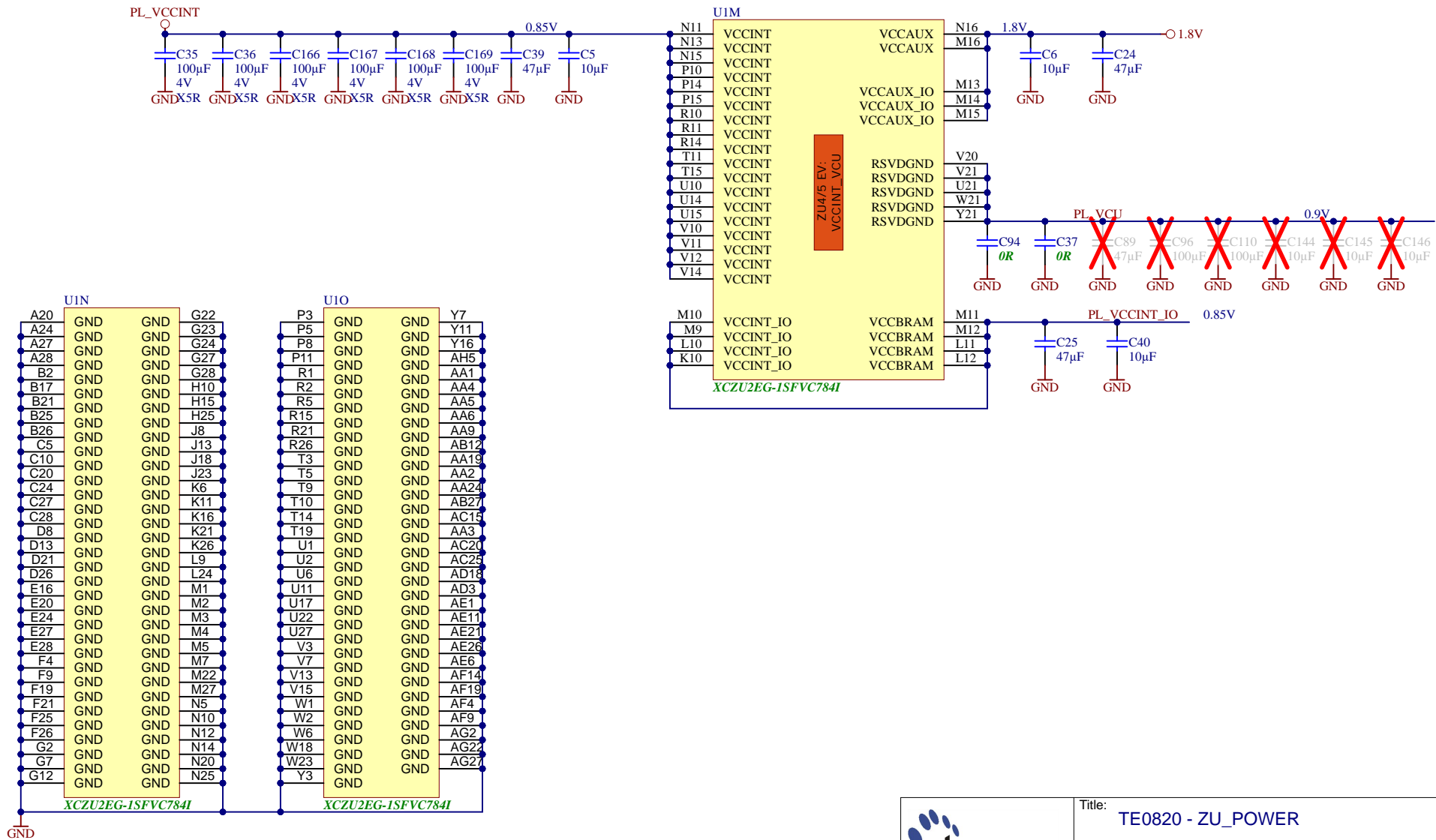
Title: TE0820 - PS_GT		
A4	Number: TE0820 2BI81MA	Rev. 05
Date: 2022-05-10	Copyright: Trenz Electronic GmbH	Page 14 of 24
Filename: B_PS_GT.SchDoc		

1

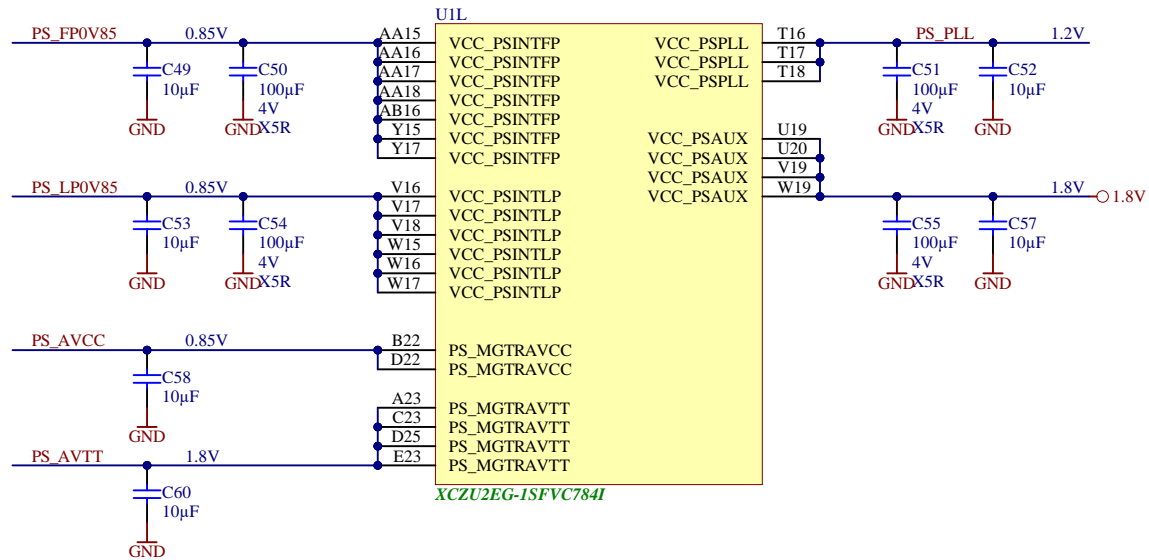
2


3

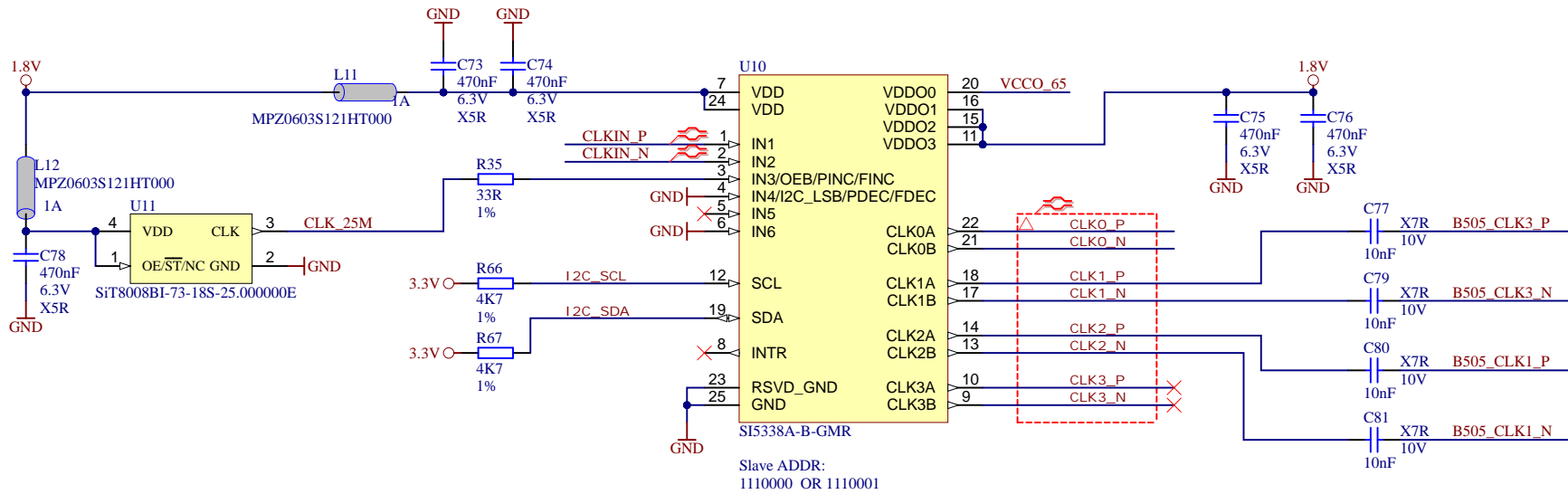
4




Title: TE0820 - ZU_POWER		
A4	Number: TE0820 2BI81MA	Rev. 05
Date: 2022-05-10	Copyright: Trenz Electronic GmbH	Page 15 of 24
Filename: ZU_POWER.SchDoc		



	Title: TE0820 - ZU_PS_POWER	
	A4	Number: TE0820 2BI81MA
	Date: 2022-05-10	Copyright: Trenz Electronic GmbH
	Filename: ZU_PS_POWER.SchDoc	
	Rev. 05	Page 16 of 24



		Title: TE0820 - CLK	
		A4	Number: TE0820 2BI81MA
Date: 2022-05-10		Copyright: Trenz Electronic GmbH	
Filename: CLK.SchDoc		Page 17 of 24	

A

B

C

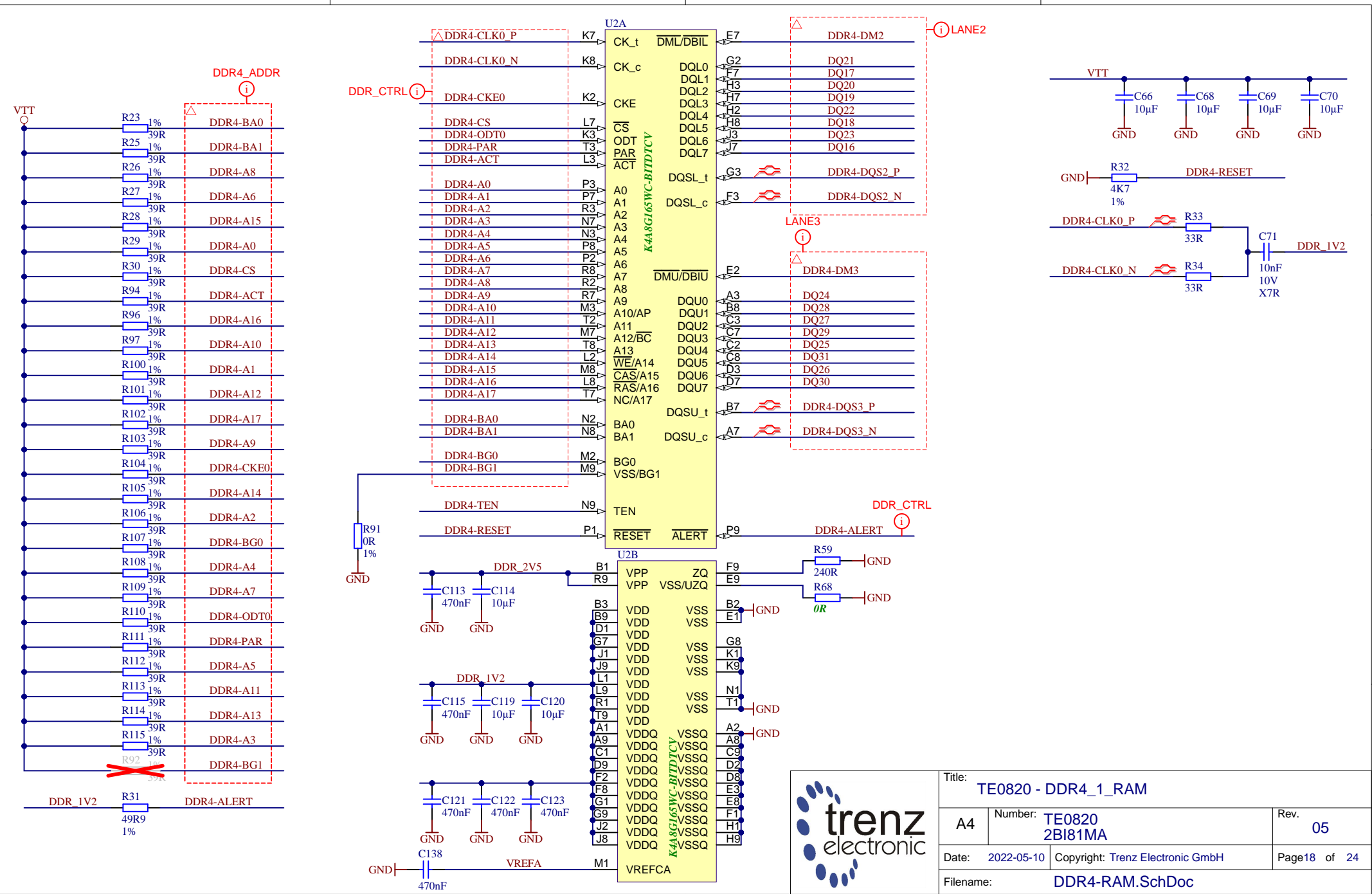
D

A

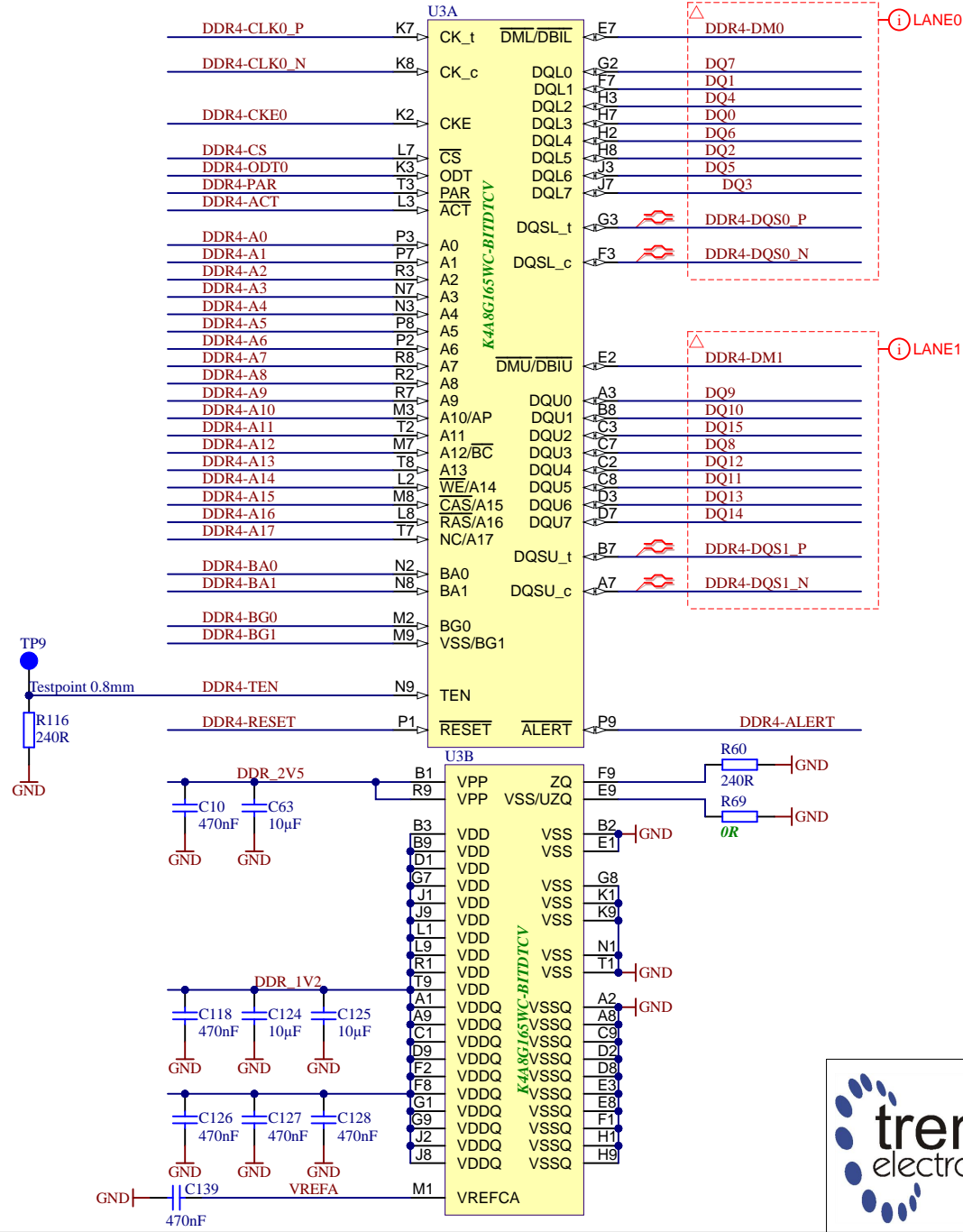
B

C

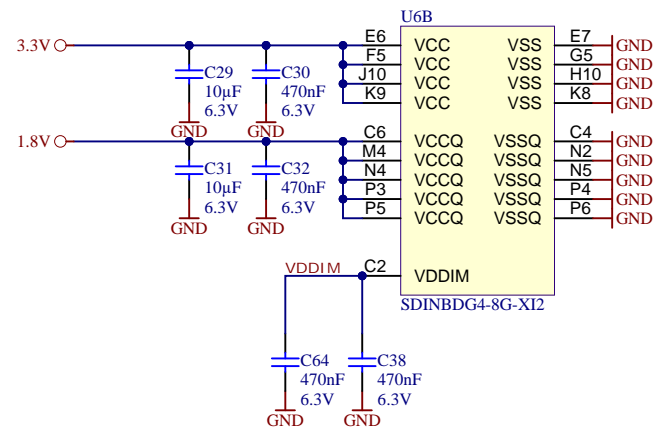
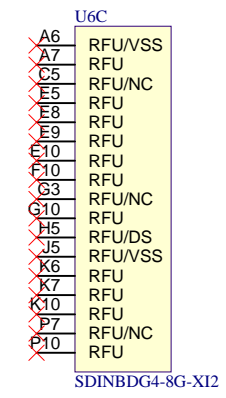
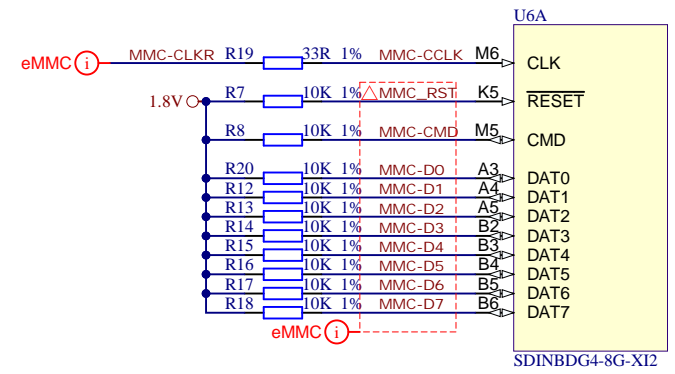
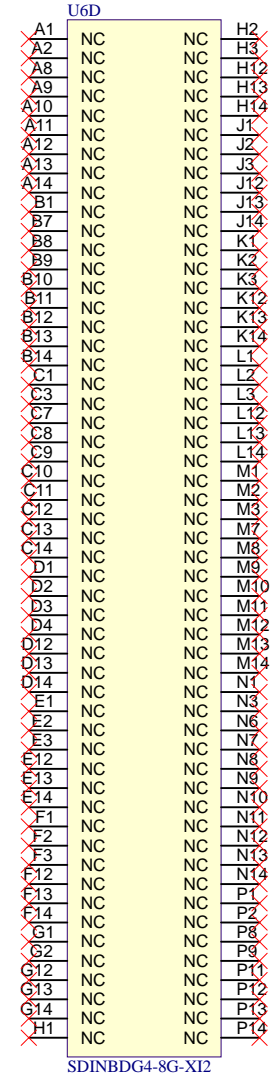
D



Title: TE0820 - DDR4_1_RAM		
A4	Number: TE0820 2BI81MA	Rev. 05
Date: 2022-05-10	Copyright: Trenz Electronic GmbH	Page 18 of 24
Filename: DDR4-RAM.SchDoc		



Title: TE0820 - DDR4_2_RAM		
A4	Number: TE0820 2BI81MA	Rev. 05
Date: 2022-05-10	Copyright: Trenz Electronic GmbH	Page 19 of 24
Filename: DDR4-RAM_2.SchDoc		



Title: TE0820 - eMMC		
A4	Number: TE0820 2BI81MA	Rev. 05
Date: 2022-05-10	Copyright: Trenz Electronic GmbH	Page20 of 24
Filename: eMMC.SchDoc		

1

2

3

4

A

A

B

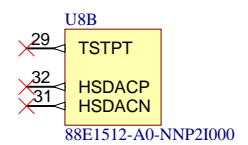
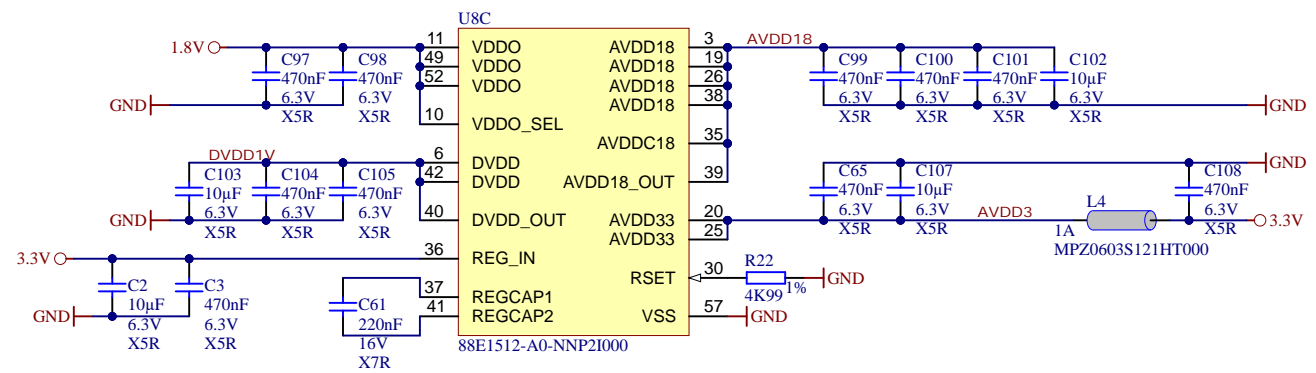
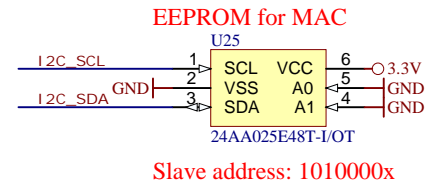
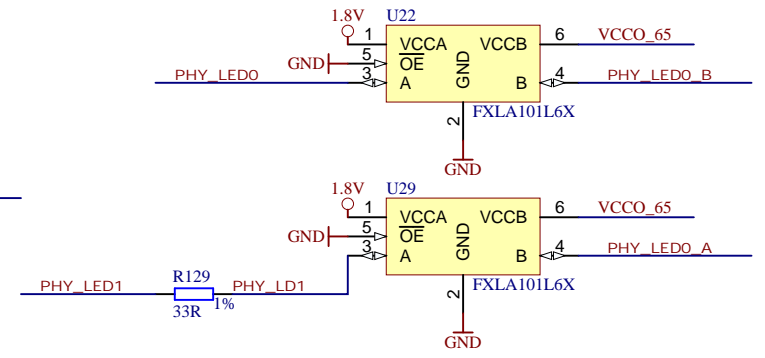
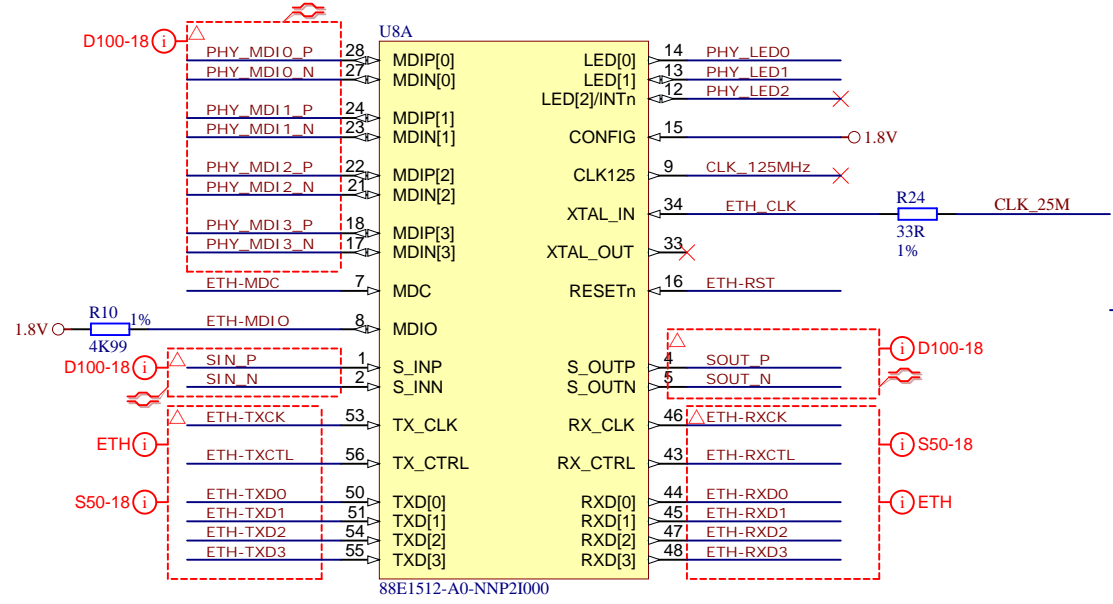
B

C

C

D

D



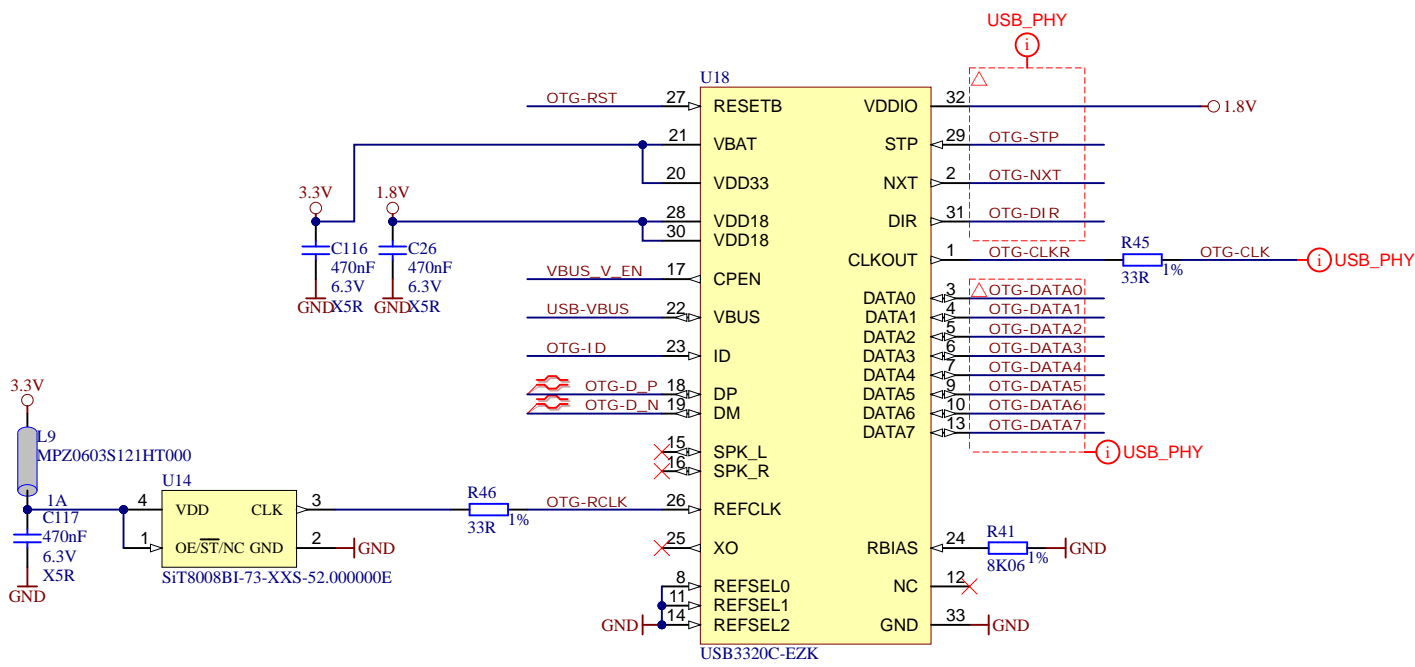
Title: TE0820 - Eth_PHY		
A4	Number: TE0820 2BI81MA	Rev. 05
Date: 2022-05-10	Copyright: Trenz Electronic GmbH	Page21 of 24
Filename: ETH-PHY.SchDoc		


1

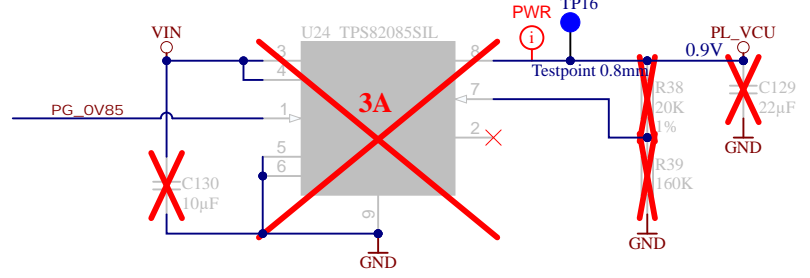
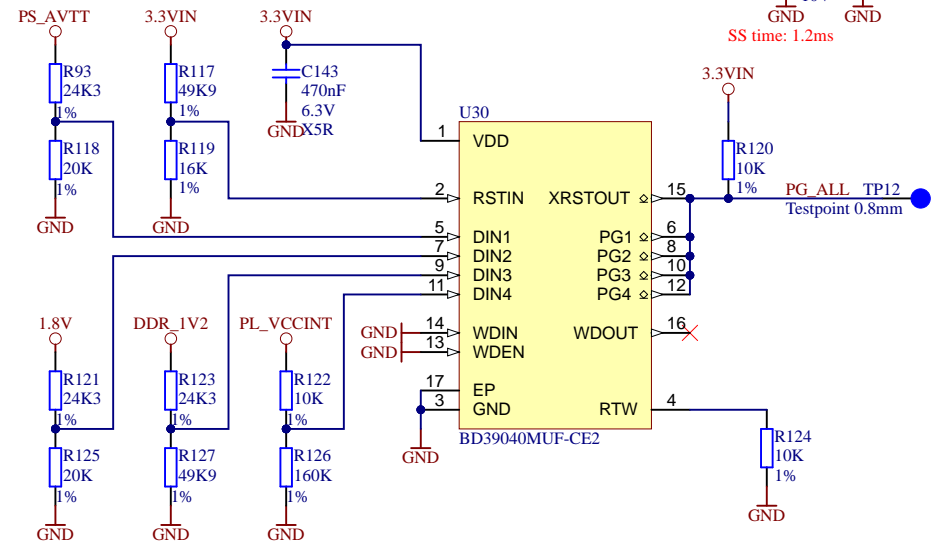
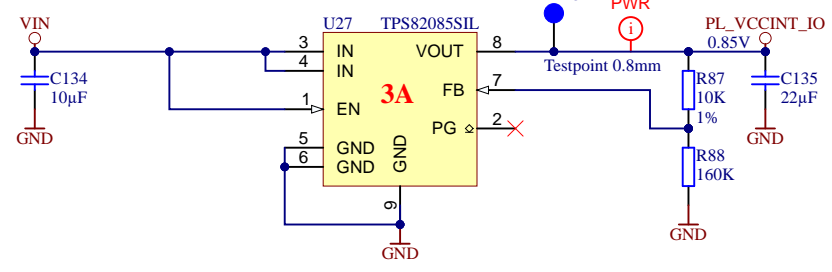
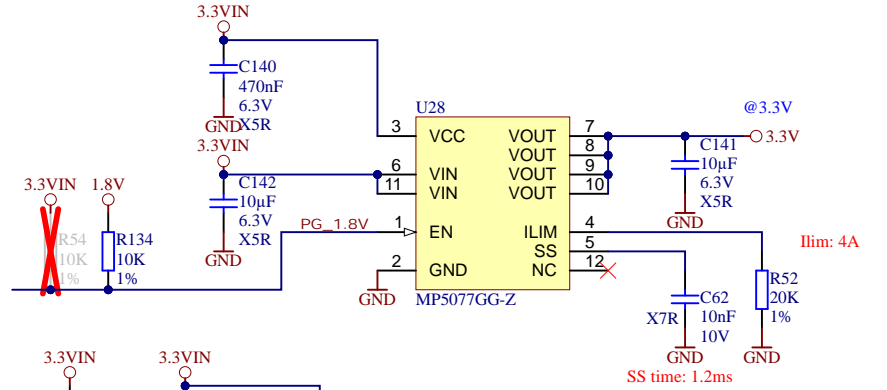
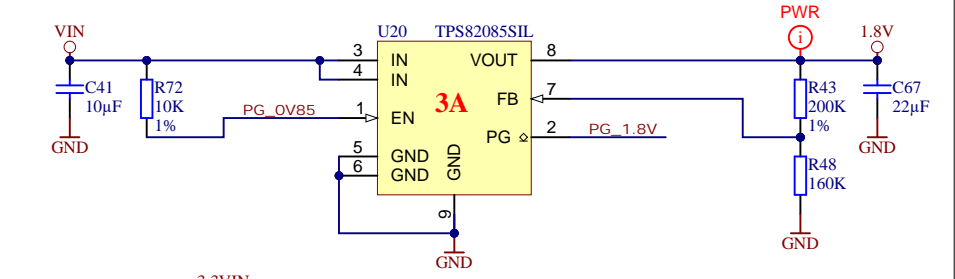
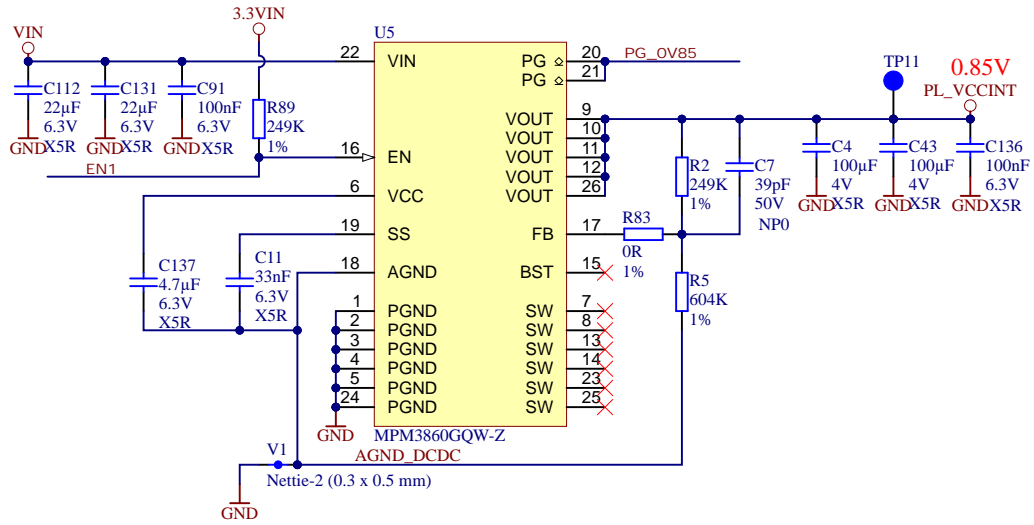
2

3

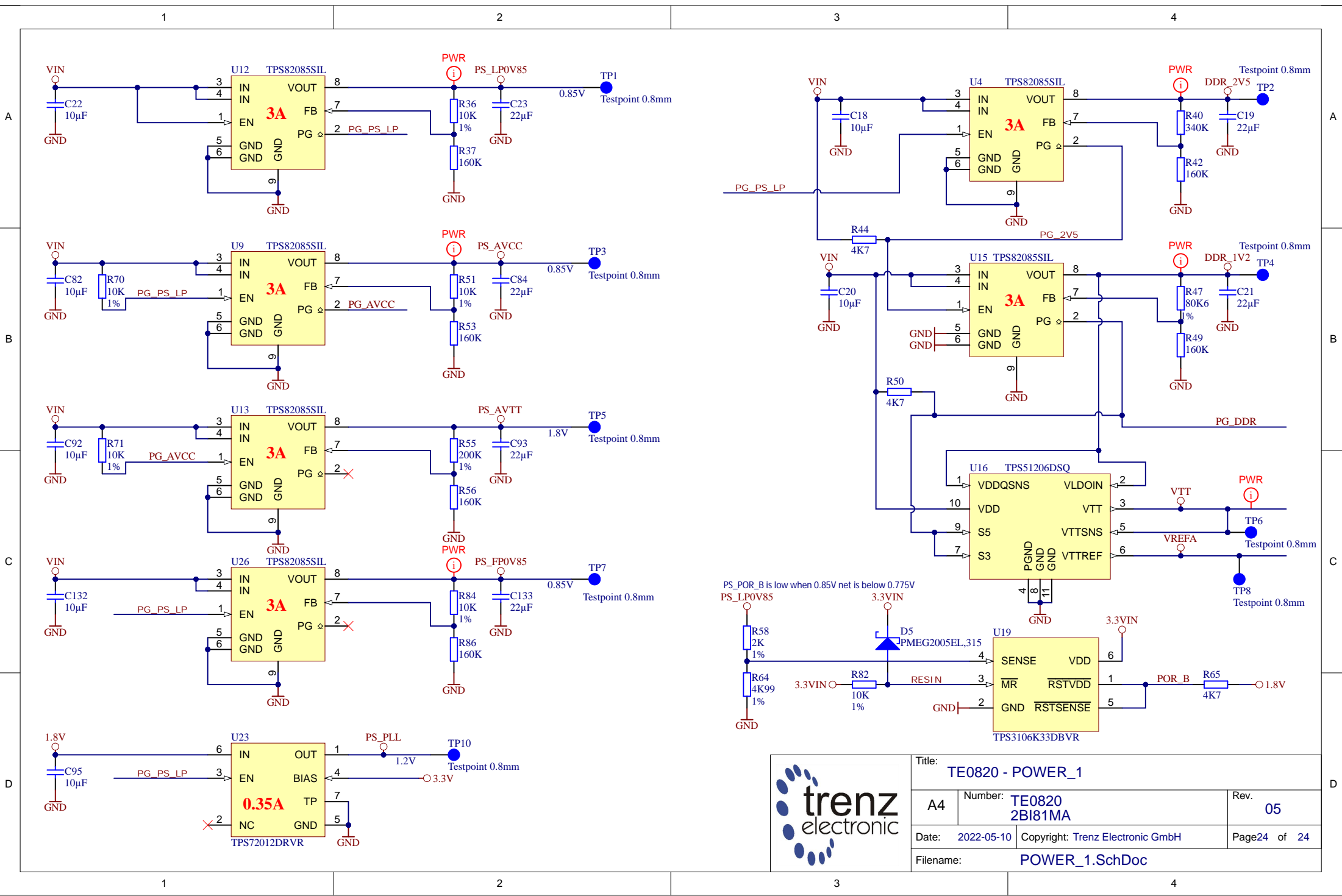
4



			Title: TE0820 - USB_PHY	
			A4	Number: TE0820 2BI81MA
Date: 2022-05-10		Copyright: Trenz Electronic GmbH		Page 22 of 24
Filename: USB-PHY.SchDoc				



Title: TE0820 - POWER		
A4	Number: TE0820 2BI81MA	Rev. 05
Date: 2022-05-10	Copyright: Trenz Electronic GmbH	Page 23 of 24
Filename: POWER.SchDoc		



Title: TE0820 - POWER_1		
A4	Number: TE0820 2BI81MA	Rev. 05
Date: 2022-05-10	Copyright: Trenz Electronic GmbH	Page24 of 24
Filename: POWER_1.SchDoc		