



Photo Shows Similar Product

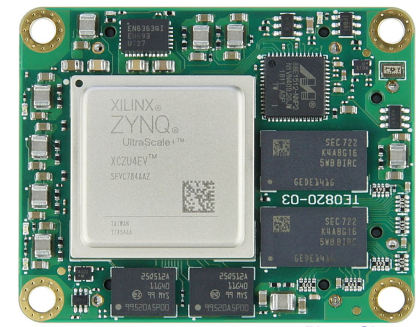


Photo Shows Similar Product

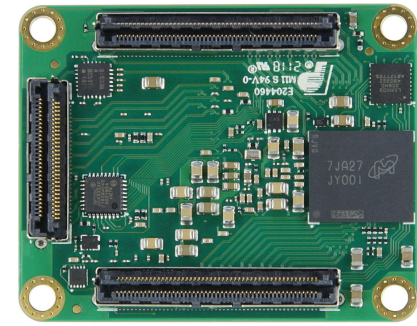


Photo Shows Similar Product

Regarding the usage of our schematics and alike documentation for Trenz module TE0820.

Project is protected under copyright and we strongly and strictly prohibit the reverse engineering or recreation, even if the design is just adapted or modified. TE0820 is protected under such right and in case of plagiarism we will have to do anything necessary in order to protect our assets.

Schematics and other handouts serve for informational purposes only!

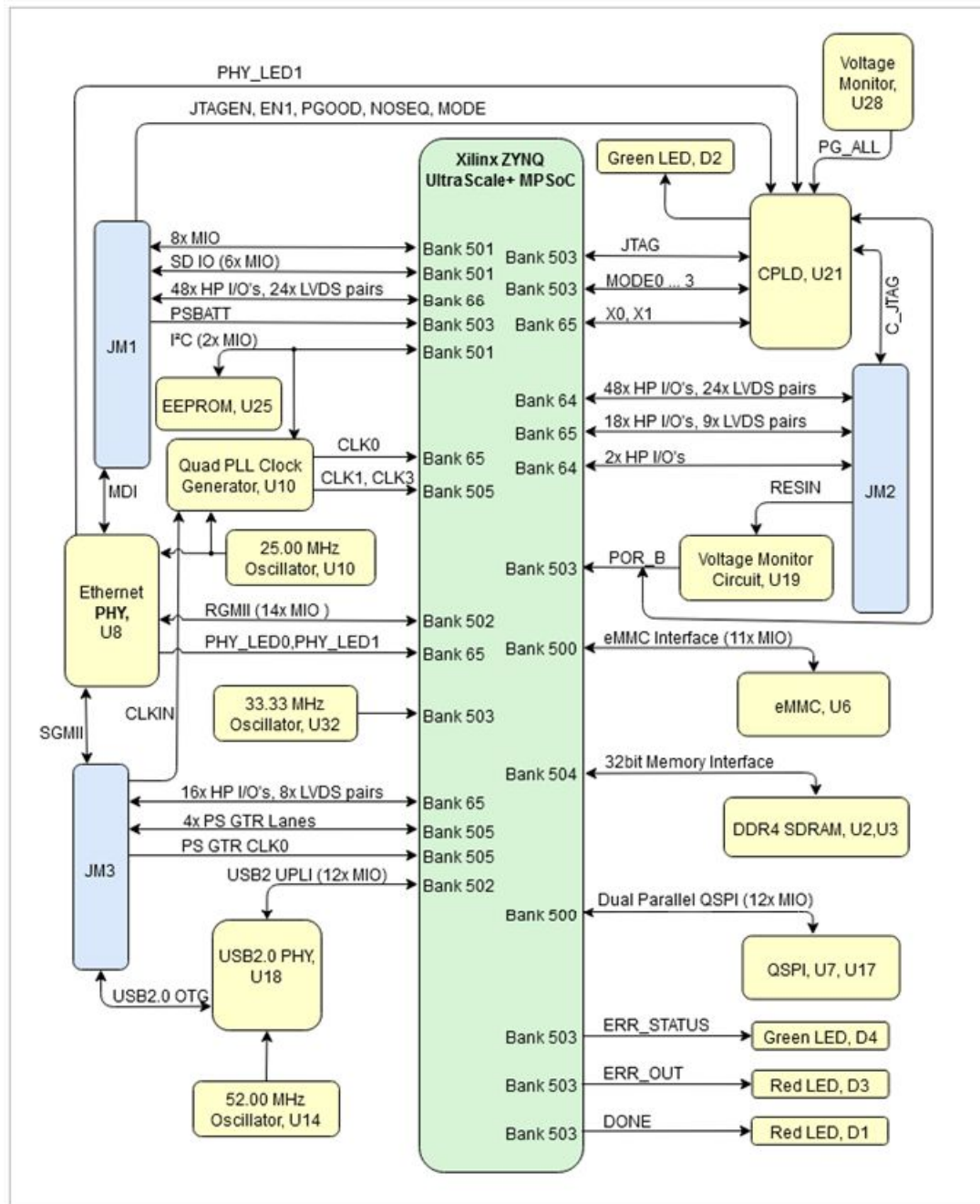


| | | |
|---|---|----------------------------|
| Title: TE0820 - Legal Notices | | |
| A4 | Number: TE0820 4BI21KLZ | Rev. 05 |
| Date: 2022-05-10 | Copyright: Trenz Electronic GmbH | Page 1 of 24 |
| Filename: Legal Notices Modules.SchDoc | | |

| REV | Description | |
|------|--|----|
| -01 | Initial revision | VT |
| -02 | <ul style="list-style-type: none"> 1) Added MAC EEPROM (slave address:) 2) LIB components update 3) Fixed SD Card connection 4) Fixed sense connection from DCDC 5) Made correct power connection for VCU (removed DCDC, added resistors and caps like as Xilinx recommended) 6) Added resistors for variants (ZU+ with/without VCU) 7) Added termination resistors (240R) to VRP pins fro all HP-banks | VT |
| -03 | <ul style="list-style-type: none"> 1) Fixed VCU connection: add additional DCDC (0.9V) 2) LIB components update 3) Change package 1K resistors (0402 -> 0201) 4) Added LEDs (1x user LED, 1x LED for ERR_STATUS, 1xLED for ERR_OUT) 5) Change obsolete 2xSPI Flash (256MBit) -> 2xSPI Flash (512MBit) 6) Added additional DCDCs (PL_VCCINT_IO, PS_FP0V85) 7) Changed DCDC (U5) 6A (optional 4A) | VT |
| -04 | <ul style="list-style-type: none"> 1) Fixed DDR4 connection (BG1), support B-die DDR4 Industrial grade chips 2) Added R93, changed value C62, change obsolete U28 3) Added R89 (10R) 4) Added additional caps 4.7uF to PS_AVTT/PS_AVCC (Xilinx doc UG583) 5) Changed R51 20k ->10K (PS_AVCC = 0.85V, Xilinx doc DS925 v1.17) 6) Fixed DDR4 connection (Alert) 7) Added 3.3V signal to CPLD 8) Added testpoints 9) LIB components update | VT |
| -04A | <ul style="list-style-type: none"> 1) Added block diagram, updated module pictures | VY |
| -05 | <ul style="list-style-type: none"> 1) Changed EOL Ferrite Beads L1..5,L7,L9..12 2) Changed EOL DCDC U5 (EN6363QI -> MPM3860GQW-Z) 3) Changed EOL Load Switch U28 (TPS27082LDDCR -> MP5077GG-Z) 4) Added additional Decoupling Capacitors and changed caps 4.7uF to 10uF (Xilinx doc UG583 v1.23) 5) Added pull-down and testpoint to TEN DDR4 signal 6) Changed EOL Transistor T1 (AO7800 -> BSD840NH6327XTSA1) 7) Added Voltage Detector U30 (BD39040MUF-CE2) 8) Changed EOL eMMC U6 (MTFC4GACAJCN-4M -> SDINBDG4-8G-XI2) 9) Changed EOL MEMS U14 (SiT8008AI-73-XXS-52.000000E -> SiT8008BI-73-XXS-52.000000E) 10) Added signal PG_ALL (U30) to CPLD (pin5) 11) Added option (depends assembly variants, for all assembly variants R128 set as populated, instead special inquiry) signal POR_B through R128, T2 to CPLD (pin27) 12) Added option (depends assembly variants, for all assembly variants R95 set as DNP, instead special inquiry) signal EN1 through R95 to DCDC U5 13) Added option (depends assembly variants, for all assembly variants U29 and R129 set as populated, instead special inquiry) signal PHY_LED1 through Level Translator U29 to FPGA (U1.K7) 14) Added Resistors R130 & R131 (select Power-on delay override, for all assembly variants R130 set as DNP -> Standard PL Power-on delay time) 15) Added Diode D5 16) Added Power Diagram Sheet 17) LIB components update | VT |



| | | |
|--|---|----------------|
| Title: TE0820 - Revision Changes | | |
| A4 | Number: TE0820 4BI21KLZ | Rev. 05 |
| Date: 2022-05-10 | Copyright: Trenz Electronic GmbH | Page2 of 24 |
| Filename: Revision Changes.SchDoc | | |



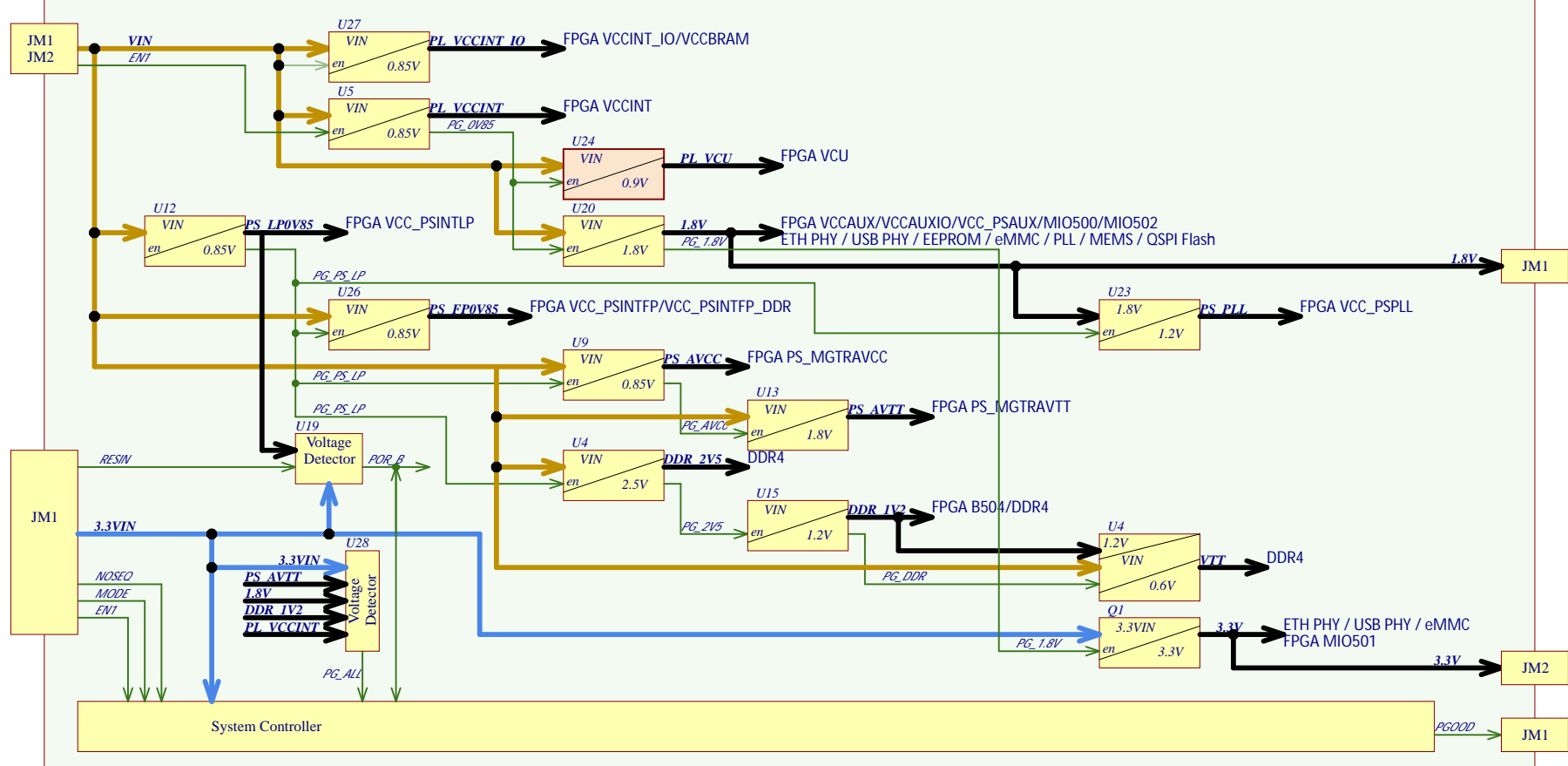
TE0820 List of Web Documentation

| Web Document Name | Link | QR-code |
|-------------------------------------|---------------------|---------|
| TE0820 Resources | URL | |
| TE0820 TRM | URL | |
| TE0820 Reference Designs | URL | |
| TE0820 CPLD Firmware | URL | |
| TE0820 Product Change Notifications | URL | |
| TE0820 Design and Advisory Notes | URL | |



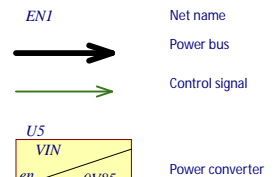
| | | |
|--|---|----------------|
| Title: TE0820 - System Overview | | |
| A4 | Number: TE0820 4BI21KLZ | Rev. 05 |
| Date: 2022-05-10 | Copyright: Trenz Electronic GmbH | |
| Page 3 of 24 | | |
| Filename: Overview.SchDoc | | |

Power-on sequencing:



Supported Voltage Ranges:

| Power Rail | Direction | Range | Tolerance | Description | Note |
|------------|-----------|------------|-----------|---------------------------------------|------|
| VIN | IN | 3.3 - 5V | +/-5% | Micromodule Power | - |
| 3.3VIN | IN | 3.3V | +/-5% | Micromodule Power | - |
| VCCO64 | IN | 1.2 - 1.8V | +/-3% | HP IO Bank64 | - |
| VCCO65 | IN | 1.2 - 1.8V | +/-3% | HP IO Bank65 | - |
| VCCO66 | IN | 1.2 - 1.8V | +/-3% | HP IO Bank66 | - |
| PSBATT | IN | 1.2 - 1.5V | +/-3% | PS battery-backed RAM and battery RTC | - |
| 1.8V | OUT | 1.8V | +/-3% | Power for Carrier | - |
| 3.3V | OUT | 3.3V | +/-3% | Power for Carrier | - |



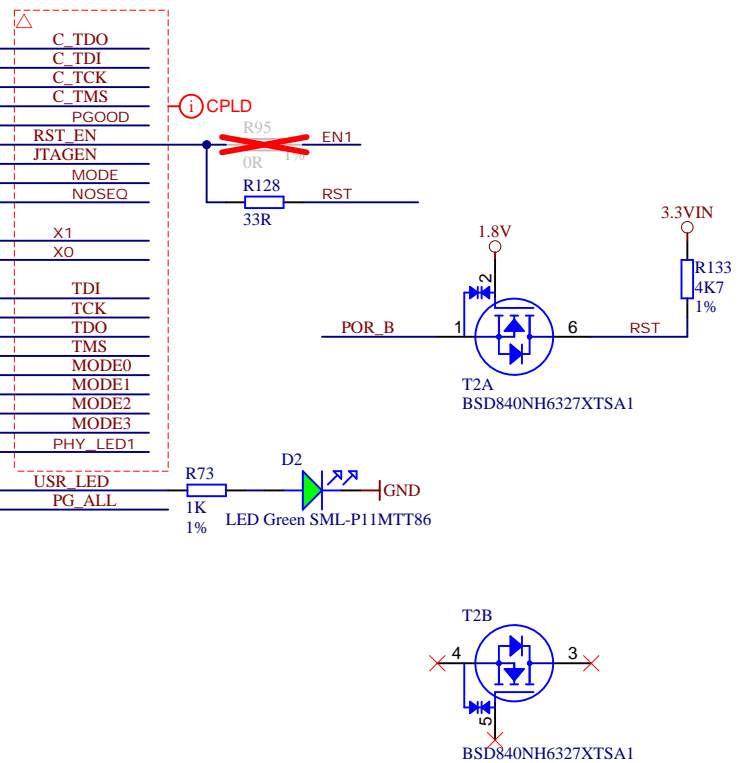
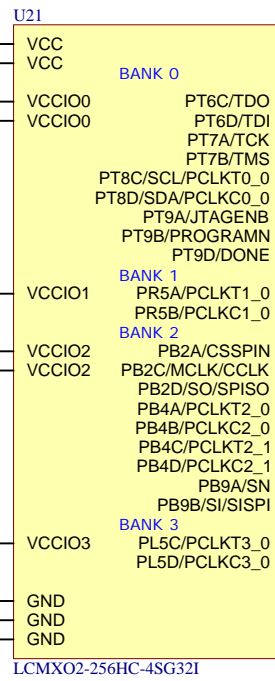
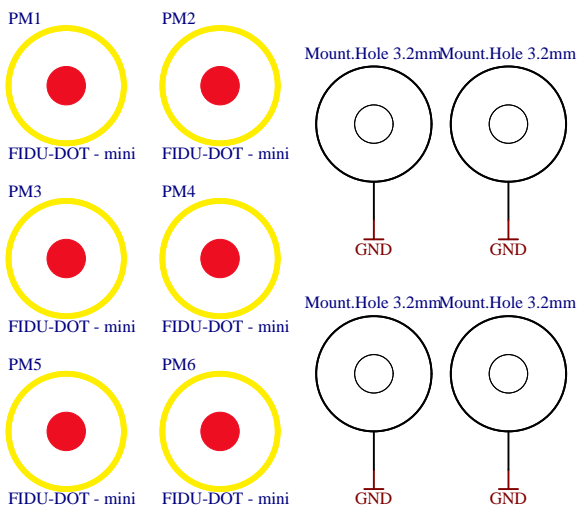
| | | |
|--------------------------------|----------------------------------|--------------|
| Title: TE0820 - Power Diagram | | |
| A4 | Number: TE0820 4BI21KLZ | Rev. 05 |
| Date: 30.06.2022 | Copyright: Trenz Electronic GmbH | Page 4 of 24 |
| Filename: Power_Diagram.SchDoc | | |

| | |
|-----------|----------------|
| U_USB-PHY | USB-PHY.SchDoc |
| U_ETH-PHY | ETH-PHY.SchDoc |
| U_B_HD | B_HD.SchDoc |
| U_B64 | B64.SchDoc |
| U_B65 | B65.SchDoc |
| U_B66 | B66.SchDoc |
| U_CONFIG | CONFIG.SchDoc |
| U_B_MIO | B_MIO.SchDoc |
| U_B_PS_GT | B_PS_GT.SchDoc |
| U_CLK | CLK.SchDoc |

| | |
|------------------|-----------------------|
| U_B2B-Connectors | B2B-Connectors.SchDoc |
| U_eMMC | eMMC.SchDoc |
| U_PS_DDR | PS_DDR.SchDoc |
| U_ZU_POWER | ZU_POWER.SchDoc |
| U_ZU_PS_POWER | ZU_PS_POWER.SchDoc |
| U_DDR4-RAM_2 | DDR4-RAM_2.SchDoc |
| U_POWER | POWER.SchDoc |
| U_POWER_1 | POWER_1.SchDoc |

Special notes:

Serial
Serialnumber 6,3 x 6,3mm



| | |
|------------------|------------|
| Assembly variant | 4BI21KLZ |
| Created by | VT |
| Modified by | VT |
| Modified at | 2022-05-31 |
| SVN Revision | 13497 |



| | | |
|-------------------------|----------------------------------|--------------|
| Title: TE0820 | | |
| A4 | Number: TE0820 4BI21KLZ | Rev. 05 |
| Date: 2022-05-10 | Copyright: Trenz Electronic GmbH | Page 5 of 24 |
| Filename: TE0820.SchDoc | | |

A

A

B

B

C

C

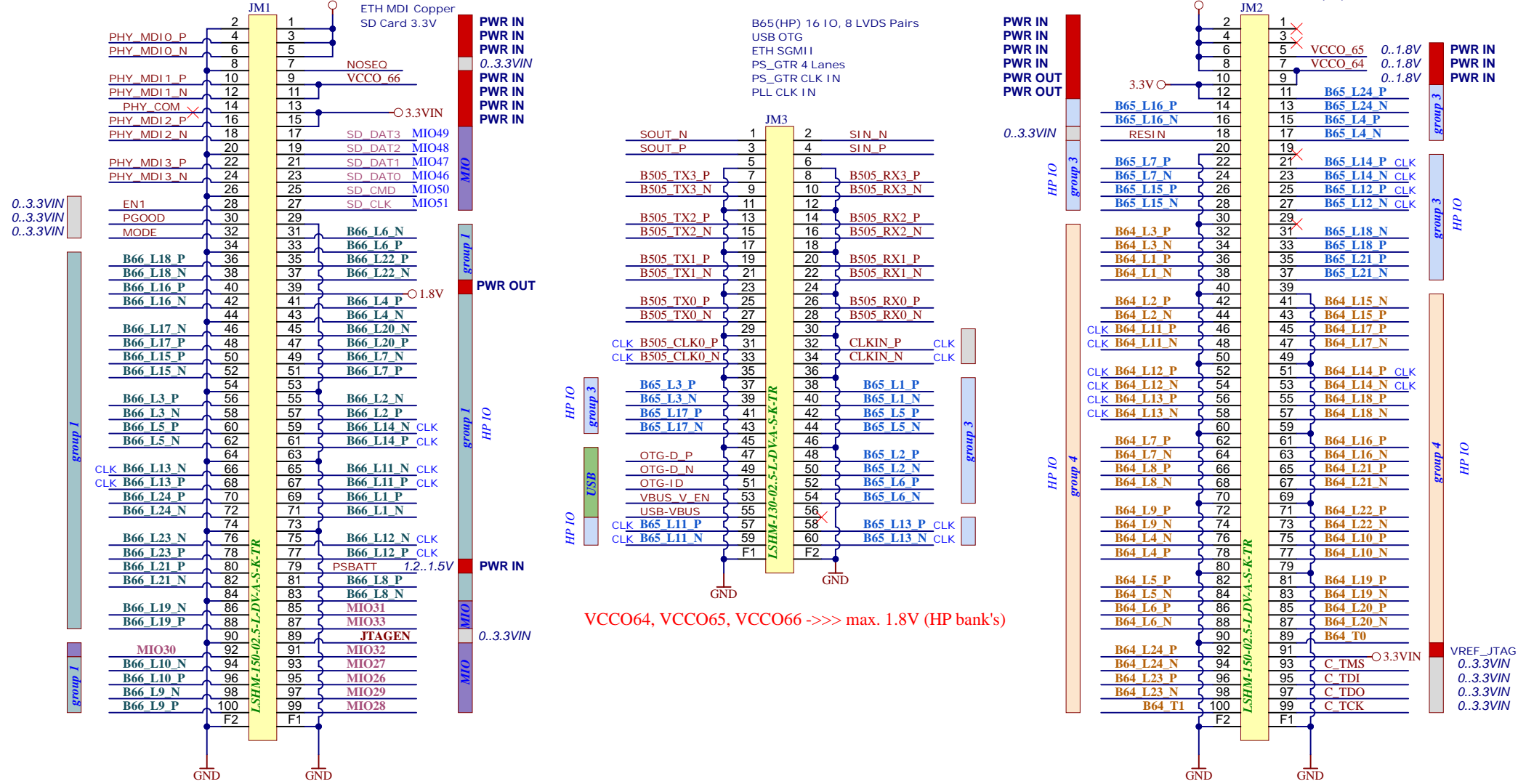
D

D

B66(HP) 48 IO, 24 LVDS Pairs
 MIO501 8 IO, 3.3V
 ETH MDI Copper
 SD Card 3.3V

B65(HP) 16 IO, 8 LVDS Pairs
 USB OTG
 ETH SGMII
 PS_GTR 4 Lanes
 PS_GTR CLK IN
 PLL CLK IN

B65(HP) 18 IO, 9 LVDS Pairs
 B64(HP) 50 IO, 24 LVDS Pairs



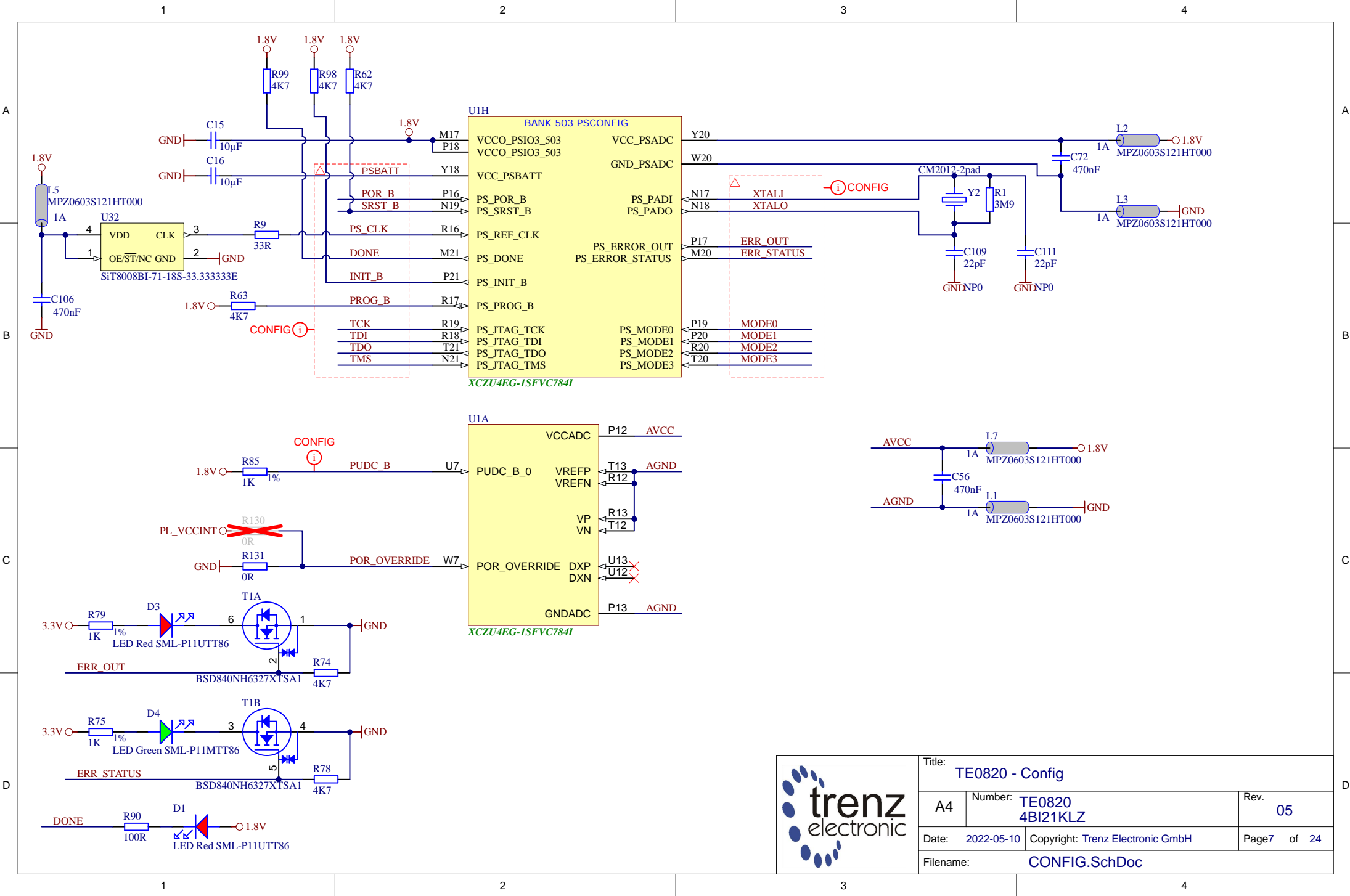
MIO[29..26] ->PJTAG1

VCCO64, VCCO65, VCCO66 ->>> max. 1.8V (HP bank's)

- VCCO_64 0.1.8V
- VCCO_65 0.1.8V
- VCCO_66 0.1.8V
- MIO 0.3.3V
- group 1 0..VCCO_66
- group 3 0..VCCO_65
- group 4 0..VCCO_64



| | | |
|---------------------------------|----------------------------------|-------------|
| Title: TE0820 - B2B Connectors | | |
| A4 | Number: TE0820 4BI21KLZ | Rev. 05 |
| Date: 2022-05-10 | Copyright: Trenz Electronic GmbH | Page6 of 24 |
| Filename: B2B-Connectors.SchDoc | | |



| | | |
|-------------------------|----------------------------------|-------------|
| Title: TE0820 - Config | | |
| A4 | Number: TE0820 4BI21KLZ | Rev. 05 |
| Date: 2022-05-10 | Copyright: Trenz Electronic GmbH | Page7 of 24 |
| Filename: CONFIG.SchDoc | | |

UIC

| | | | |
|----------------|---------------------|-------------------------------|----------------|
| F14 | VCCO_46 | BANK 46 HD (ZU2/3 BANK 26 HD) | |
| C15 | VCCO_46 | | |
| B15 | IO_L1P_AD11P_46 | IO_L7P_HDGC_AD5P_46 | G13 |
| A15 | IO_L1N_AD11N_46 | IO_L7N_HDGC_AD5N_46 | F13 |
| B14 | IO_L2P_AD10P_46 | IO_L8P_HDGC_AD4P_46 | F15 |
| A14 | IO_L2N_AD10N_46 | IO_L8N_HDGC_AD4N_46 | E15 |
| B13 | IO_L3P_AD9P_46 | IO_L9P_AD3P_46 | G15 |
| A13 | IO_L3N_AD9N_46 | IO_L9N_AD3N_46 | G14 |
| C13 | IO_L4P_AD8P_46 | IO_L10P_AD2P_46 | H14 |
| C13 | IO_L4N_AD8N_46 | IO_L10N_AD2N_46 | H13 |
| D15 | IO_L5P_HDGC_AD7P_46 | IO_L11P_AD1P_46 | K14 |
| D14 | IO_L5N_HDGC_AD7N_46 | IO_L11N_AD1N_46 | J14 |
| E14 | IO_L6P_HDGC_AD6P_46 | IO_L12P_AD0P_46 | L14 |
| E13 | IO_L6N_HDGC_AD6N_46 | IO_L12N_AD0N_46 | L13 |

BANK 43 HD (ZU2/3 BANK 44 HD)

| | | | |
|-----------------|---------------------|---------------------|-----------------|
| AC10 | VCCO_43 | | |
| AG12 | VCCO_43 | | |
| AG10 | IO_L1P_AD11P_43 | IO_L7P_HDGC_AD5P_43 | AD11 |
| AH10 | IO_L1N_AD11N_43 | IO_L7N_HDGC_AD5N_43 | AD10 |
| AF11 | IO_L2P_AD10P_43 | IO_L8P_HDGC_AD4P_43 | AB11 |
| AG11 | IO_L2N_AD10N_43 | IO_L8N_HDGC_AD4N_43 | AC11 |
| AH13 | IO_L3P_AD9P_43 | IO_L9P_AD3P_43 | AA11 |
| AH13 | IO_L3N_AD9N_43 | IO_L9N_AD3N_43 | AA10 |
| AE10 | IO_L4P_AD8P_43 | IO_L10P_AD2P_43 | W10 |
| AF10 | IO_L4N_AD8N_43 | IO_L10N_AD2N_43 | Y10 |
| AE12 | IO_L5P_HDGC_AD7P_43 | IO_L11P_AD1P_43 | Y9 |
| AF12 | IO_L5N_HDGC_AD7N_43 | IO_L11N_AD1N_43 | AA8 |
| AC12 | IO_L6P_HDGC_AD6P_43 | IO_L12P_AD0P_43 | AB10 |
| AD12 | IO_L6N_HDGC_AD6N_43 | IO_L12N_AD0N_43 | AB9 |

UIB


XCZU4EG-1SFVC784I

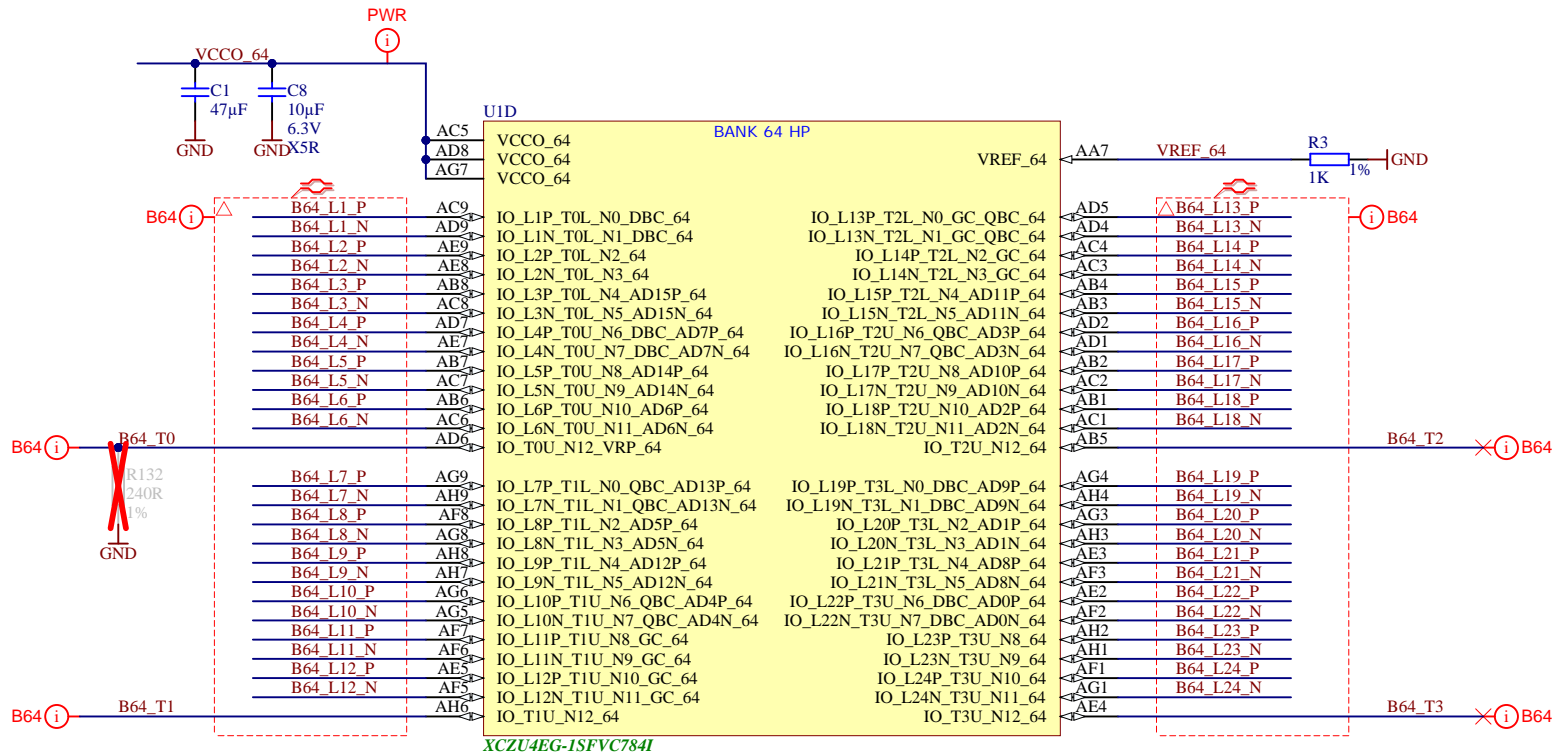
| | | | |
|-----------------|-----------------|-------------------------------|-----------------|
| AA14 | VCCO_44 | BANK 44 HD (ZU2/3 BANK 24 HD) | |
| AD13 | VCCO_44 | | |
| AE15 | IO_L1P_AD15P_44 | IO_L7P_HDGC_44 | AA13 |
| AE14 | IO_L1N_AD15N_44 | IO_L7N_HDGC_44 | AB13 |
| AG14 | IO_L2P_AD14P_44 | IO_L8P_HDGC_44 | AB15 |
| AH14 | IO_L2N_AD14N_44 | IO_L8N_HDGC_44 | AB14 |
| AG13 | IO_L3P_AD13P_44 | IO_L9P_AD11P_44 | W14 |
| AH13 | IO_L3N_AD13N_44 | IO_L9N_AD11N_44 | W13 |
| AE13 | IO_L4P_AD12P_44 | IO_L10P_AD10P_44 | Y14 |
| AF13 | IO_L4N_AD12N_44 | IO_L10N_AD10N_44 | Y13 |
| AD13 | IO_L5P_HDGC_44 | IO_L11P_AD9P_44 | W12 |
| AD14 | IO_L5N_HDGC_44 | IO_L11N_AD9N_44 | W11 |
| AC14 | IO_L6P_HDGC_44 | IO_L12P_AD8P_44 | Y12 |
| AC13 | IO_L6N_HDGC_44 | IO_L12N_AD8N_44 | AA12 |

BANK 45 HD (ZU2/3 BANK 25 HD)

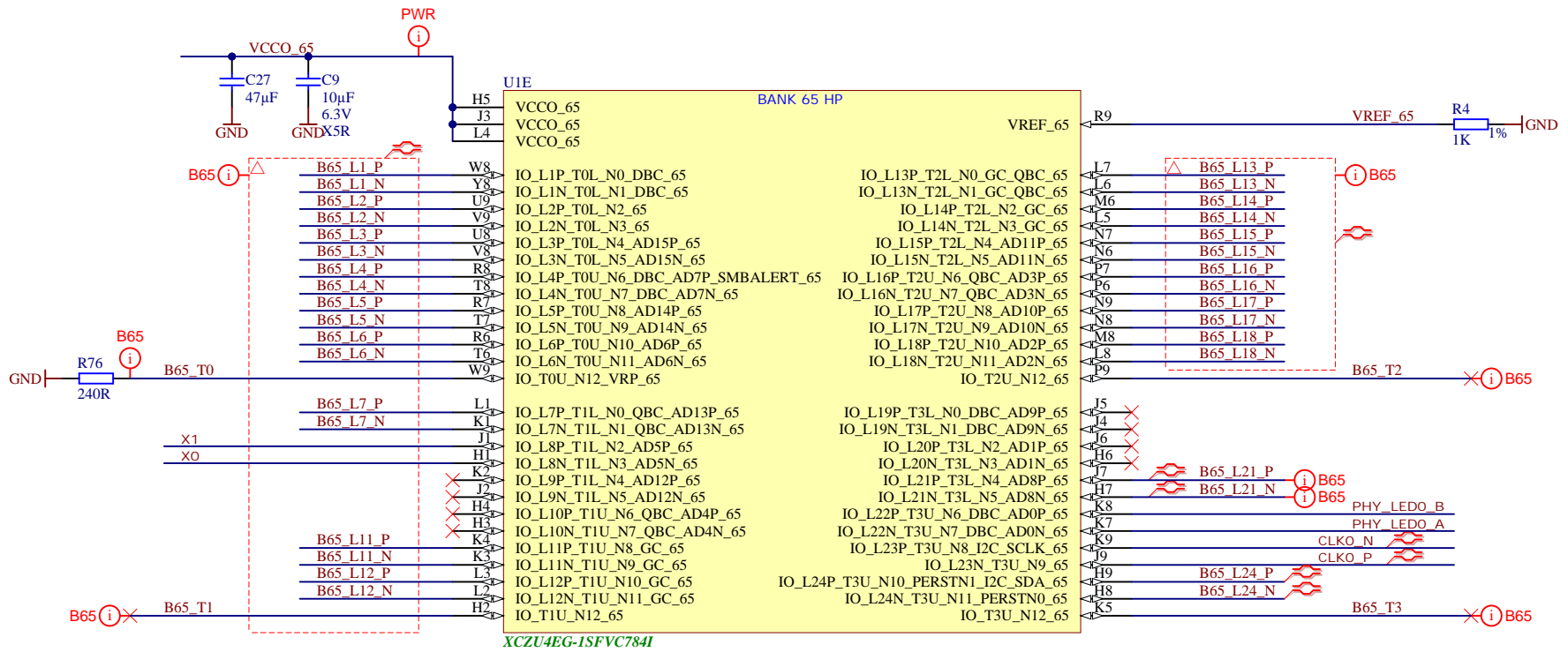
| | | | |
|----------------|-----------------|------------------|----------------|
| B12 | VCCO_45 | | |
| E11 | VCCO_45 | | |
| J11 | IO_L1P_AD15P_45 | IO_L7P_HDGC_45 | E10 |
| J10 | IO_L1N_AD15N_45 | IO_L7N_HDGC_45 | D10 |
| K13 | IO_L2P_AD14P_45 | IO_L8P_HDGC_45 | E12 |
| K12 | IO_L2N_AD14N_45 | IO_L8N_HDGC_45 | D11 |
| H11 | IO_L3P_AD13P_45 | IO_L9P_AD11P_45 | C11 |
| G10 | IO_L3N_AD13N_45 | IO_L9N_AD11N_45 | B10 |
| J12 | IO_L4P_AD12P_45 | IO_L10P_AD10P_45 | B11 |
| H12 | IO_L4N_AD12N_45 | IO_L10N_AD10N_45 | A10 |
| G11 | IO_L5P_HDGC_45 | IO_L11P_AD9P_45 | A12 |
| F10 | IO_L5N_HDGC_45 | IO_L11N_AD9N_45 | A11 |
| F12 | IO_L6P_HDGC_45 | IO_L12P_AD8P_45 | D12 |
| F11 | IO_L6N_HDGC_45 | IO_L12N_AD8N_45 | C12 |

XCZU4EG-1SFVC784I

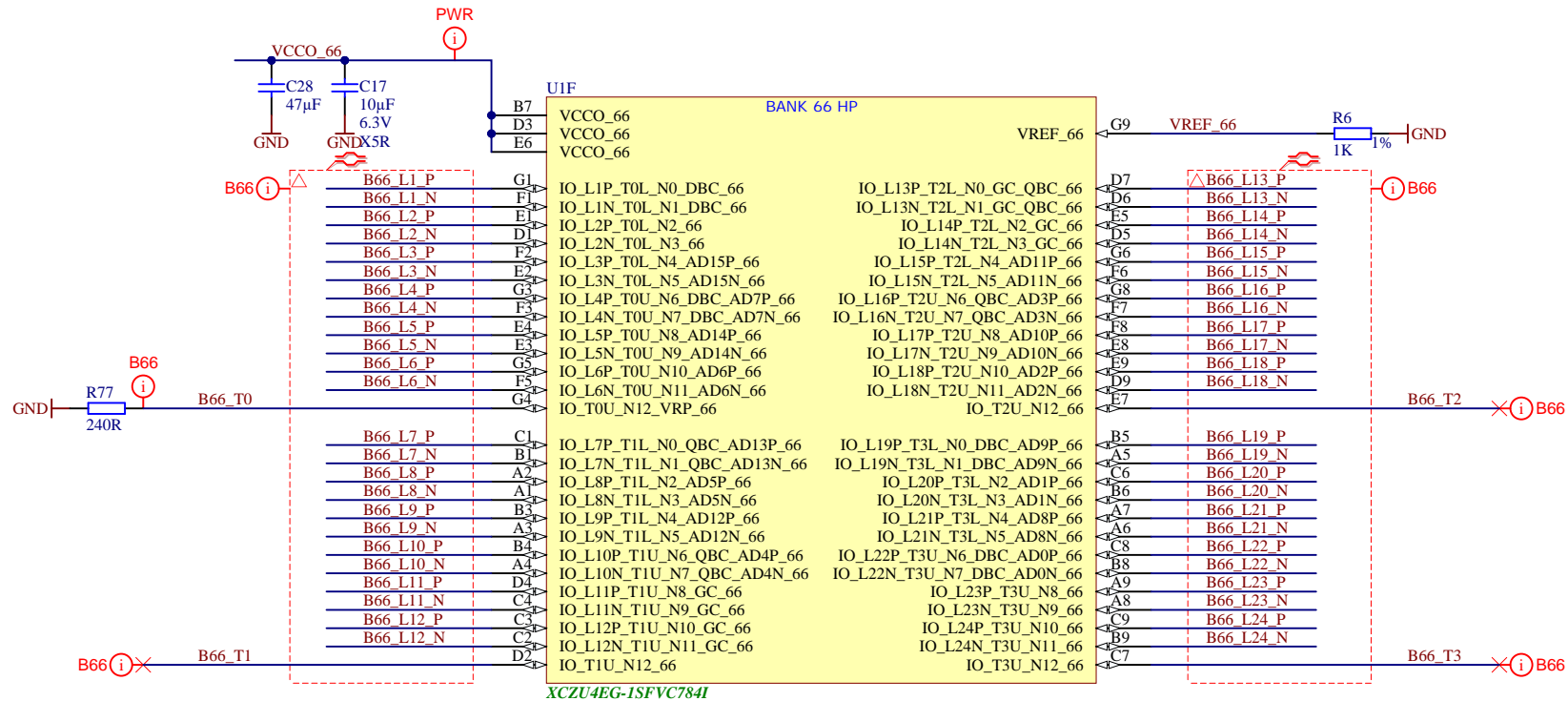
| | | | |
|---|--------------------------|----------------------------------|-------------|
|  | Title: TE0820 - HD Banks | | |
| | A4 | Number: TE0820 4BI21KLZ | Rev. 05 |
| | Date: 2022-05-10 | Copyright: Trenz Electronic GmbH | Page8 of 24 |
| | Filename: B_HD.SchDoc | | |



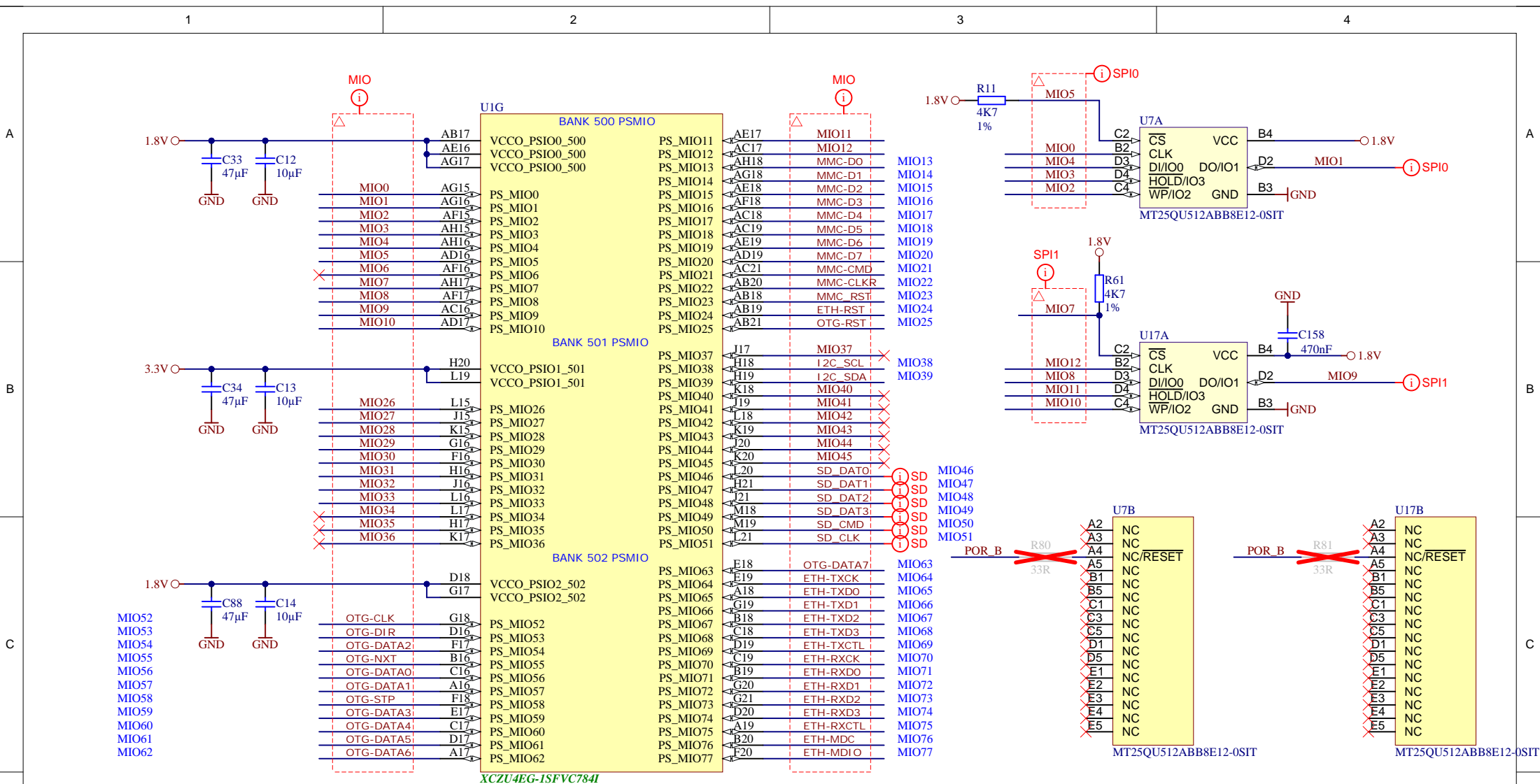
| | | |
|----------------------|----------------------------------|-------------|
| Title: TE0820 - B64 | | |
| A4 | Number: TE0820 4BI21KLZ | Rev. 05 |
| Date: 2022-05-10 | Copyright: Trenz Electronic GmbH | Page9 of 24 |
| Filename: B64.SchDoc | | |




| | | |
|----------------------|----------------------------------|---------------|
| Title: TE0820 - B65 | | |
| A4 | Number: TE0820 4BI21KLZ | Rev. 05 |
| Date: 2022-05-10 | Copyright: Trenz Electronic GmbH | Page 10 of 24 |
| Filename: B65.SchDoc | | |



| | | |
|----------------------|----------------------------------|---------------|
| Title: TE0820 - B66 | | |
| A4 | Number: TE0820 4BI21KLZ | Rev. 05 |
| Date: 2022-05-10 | Copyright: Trenz Electronic GmbH | Page 11 of 24 |
| Filename: B66.SchDoc | | |



| | | | | |
|---|--|----------------------------------|---------------------------|----------------------------|
|  | | | Title: TE0820 - MIO Banks | |
| | | | A4 | Number: TE0820 4BI21KLZ |
| Date: 2022-05-10 | | Copyright: Trenz Electronic GmbH | | Page 12 of 24 |
| Filename: B_MIO.SchDoc | | | | |

1

2

3

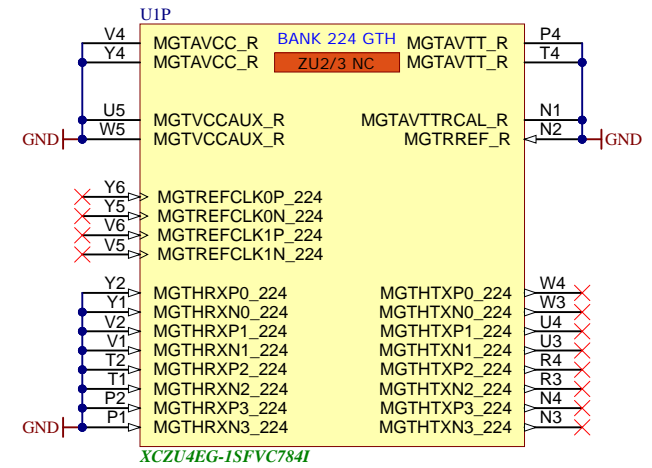
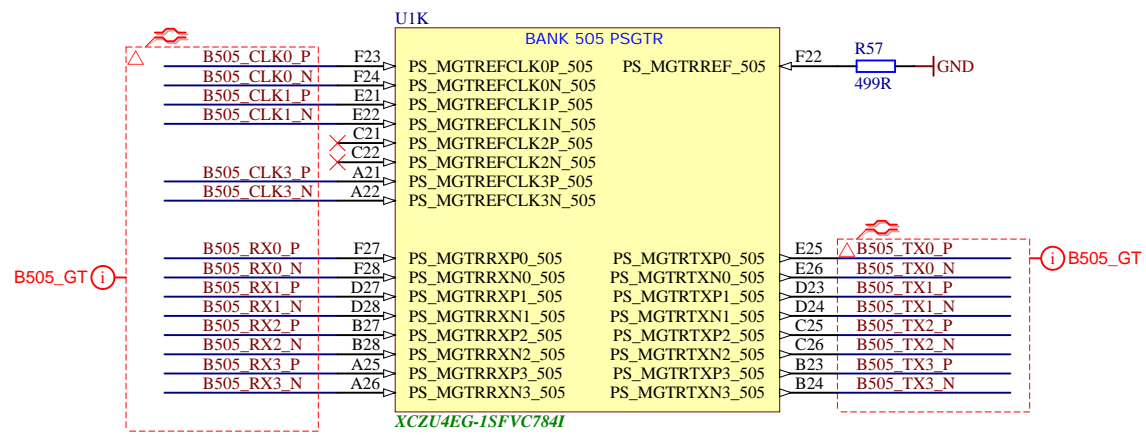
4

1

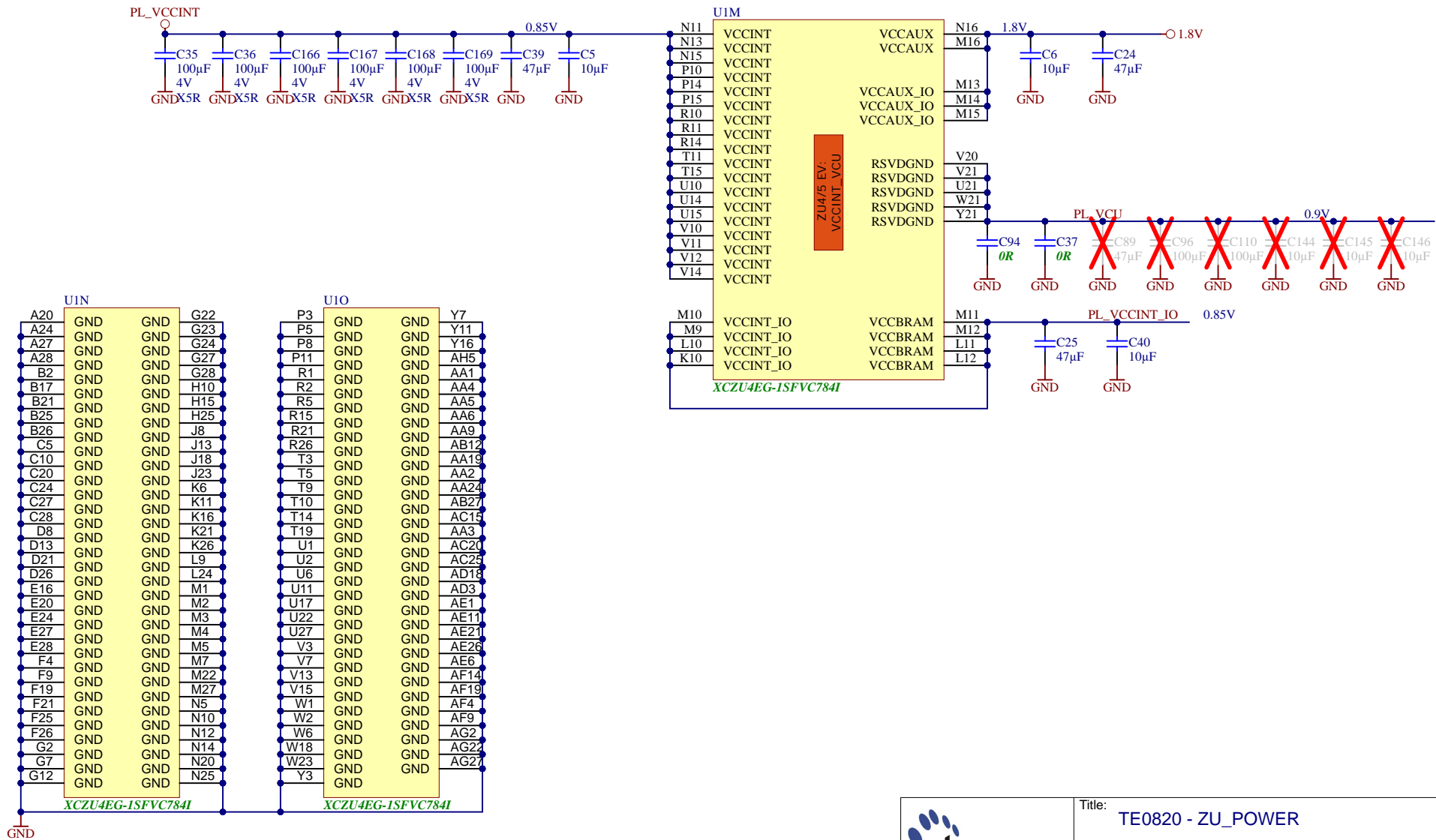
2

3

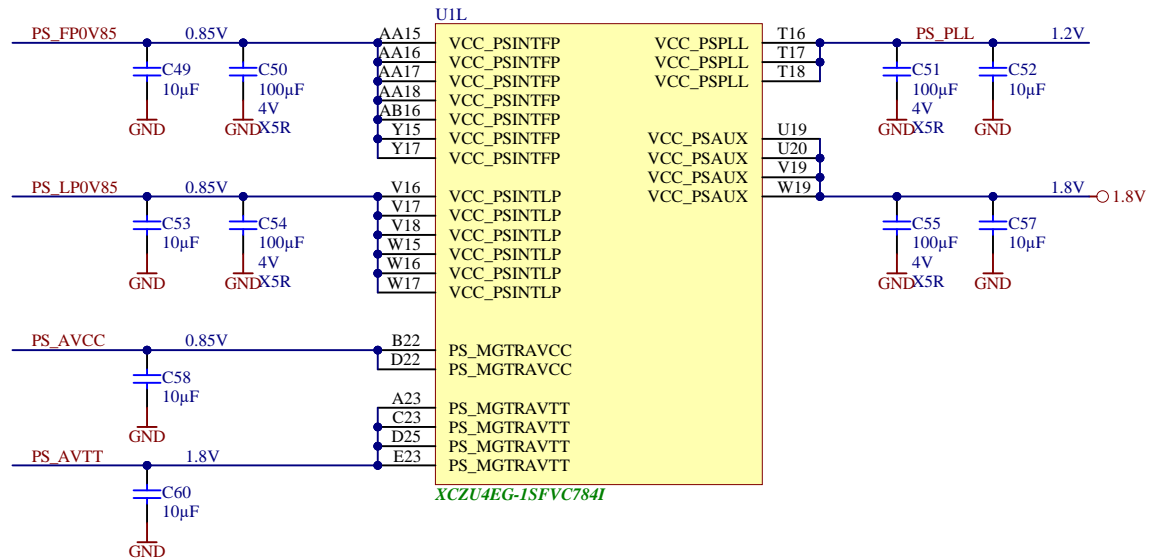
4




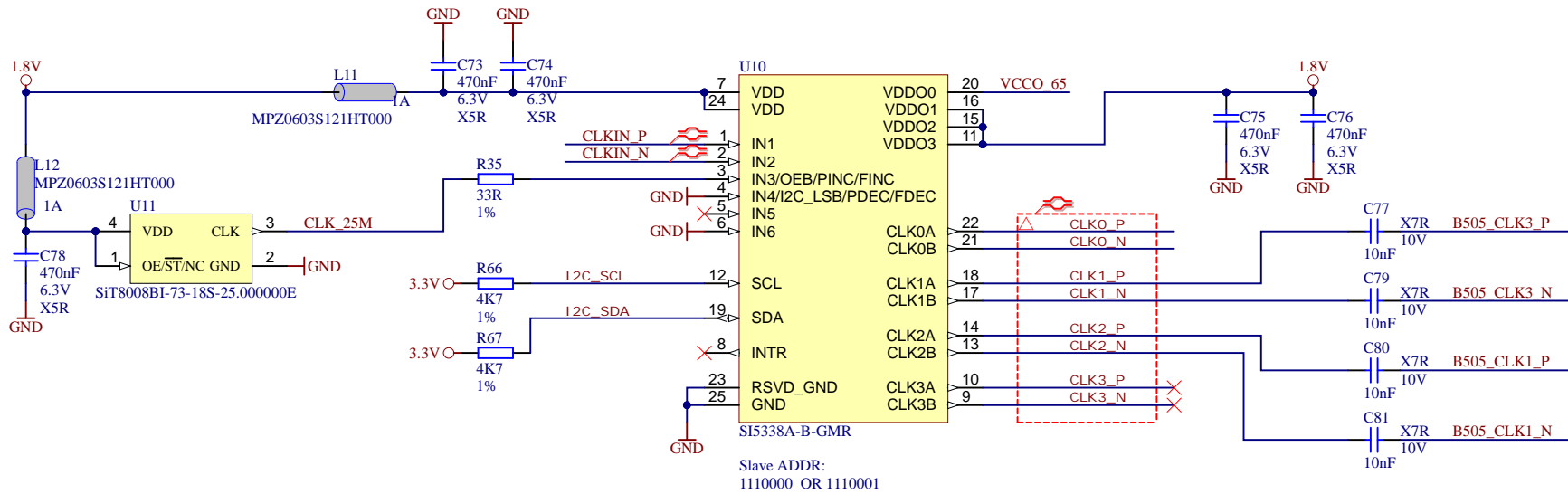
| | | |
|--------------------------|----------------------------------|---------------|
| Title: TE0820 - PS_GT | | |
| A4 | Number: TE0820 4BI21KLZ | Rev. 05 |
| Date: 2022-05-10 | Copyright: Trenz Electronic GmbH | Page 14 of 24 |
| Filename: B_PS_GT.SchDoc | | |




| | | |
|---------------------------|----------------------------------|---------------|
| Title: TE0820 - ZU_POWER | | |
| A4 | Number: TE0820 4BI21KLZ | Rev. 05 |
| Date: 2022-05-10 | Copyright: Trenz Electronic GmbH | Page 15 of 24 |
| Filename: ZU_POWER.SchDoc | | |



| | | | |
|---|------------------------------|----------------------------------|---------------|
|  | Title: TE0820 - ZU_PS_POWER | | |
| | A4 | Number: TE0820 4BI21KLZ | Rev. 05 |
| | Date: 2022-05-10 | Copyright: Trenz Electronic GmbH | Page 16 of 24 |
| | Filename: ZU_PS_POWER.SchDoc | | |



| | | | |
|---|--|----------------------------------|----------------------------|
|  | | Title: TE0820 - CLK | |
| | | A4 | Number: TE0820 4BI21KLZ |
| Date: 2022-05-10 | | Copyright: Trenz Electronic GmbH | |
| Filename: CLK.SchDoc | | Page 17 of 24 | |

A

B

C

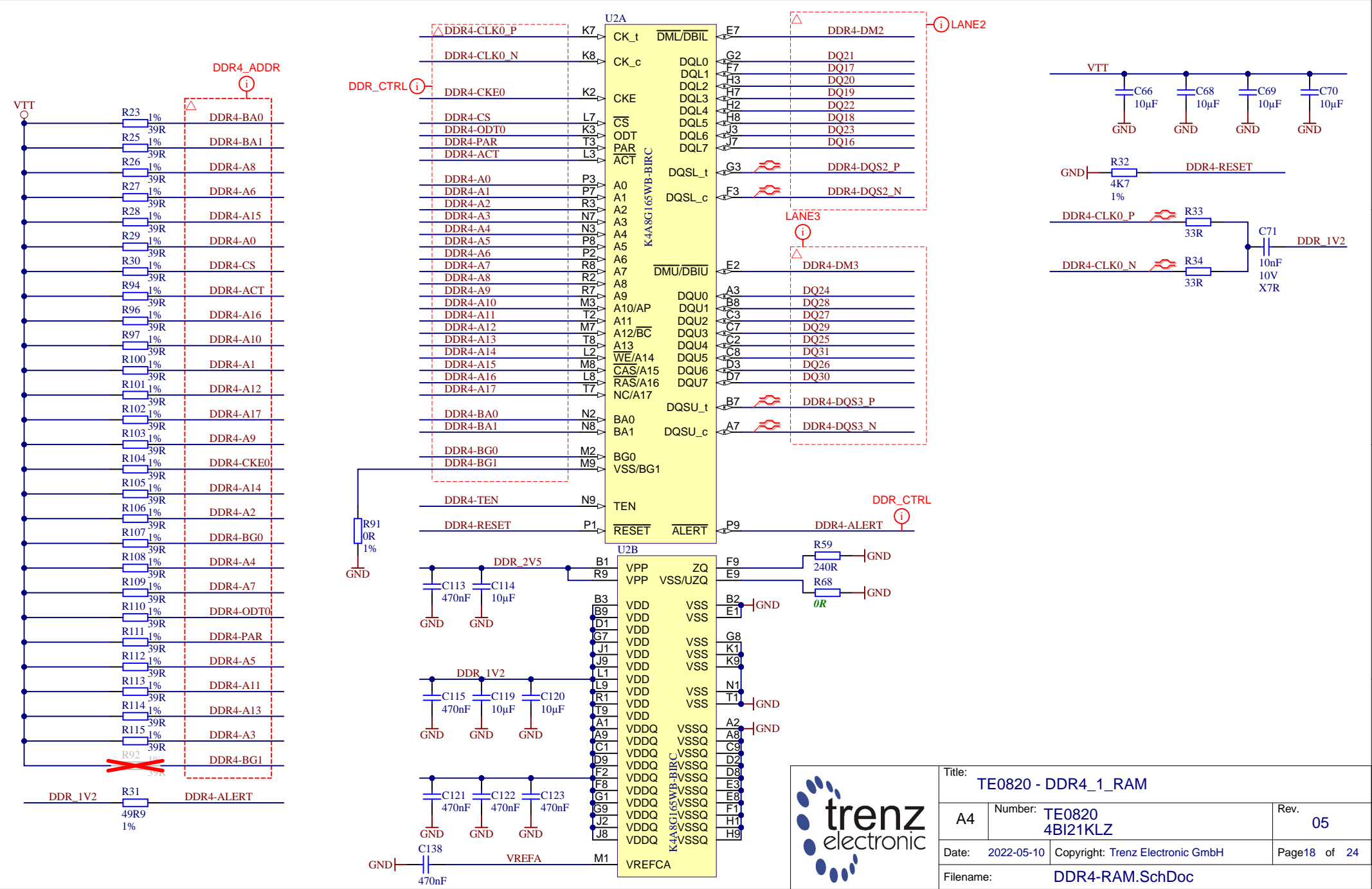
D

A

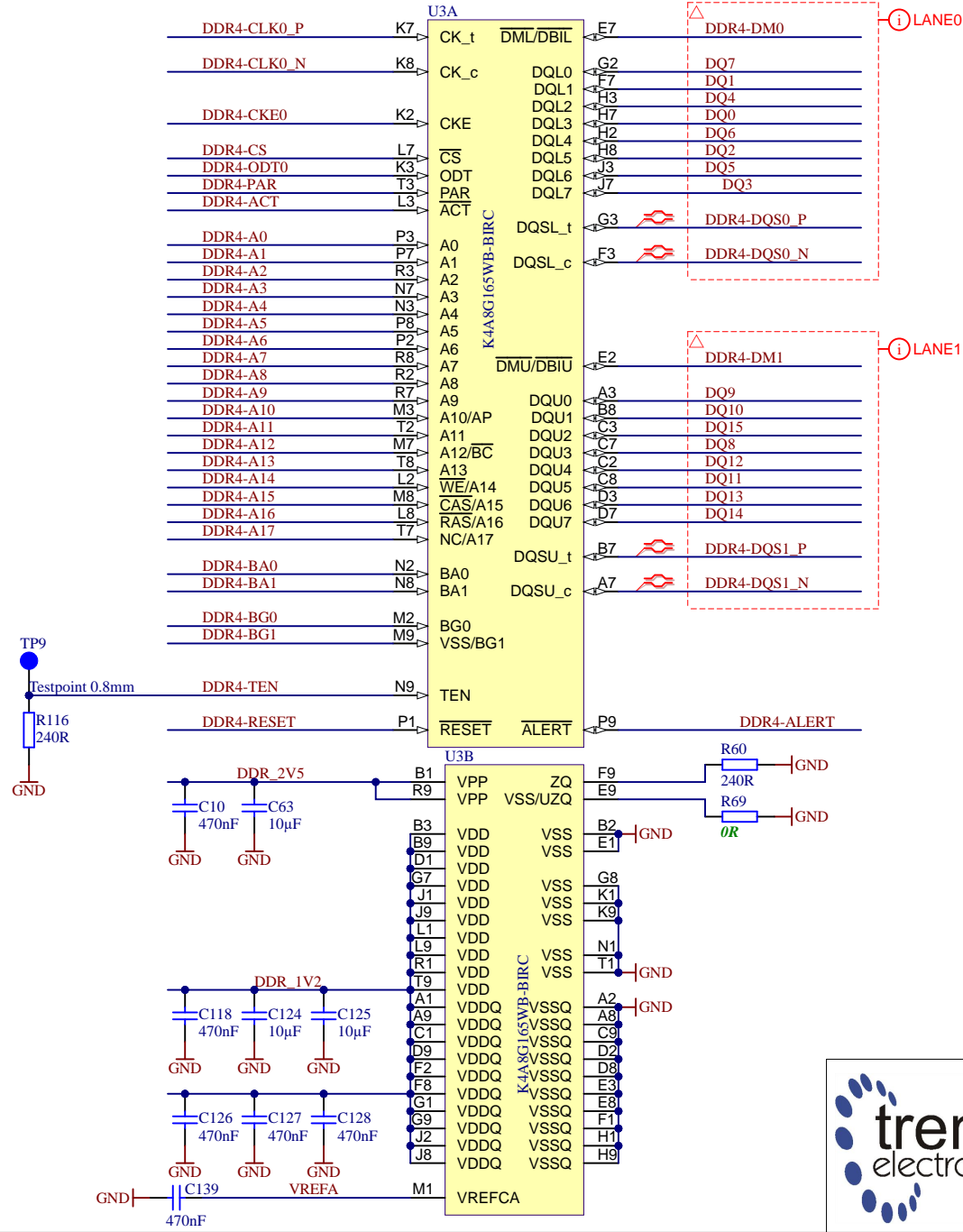
B

C

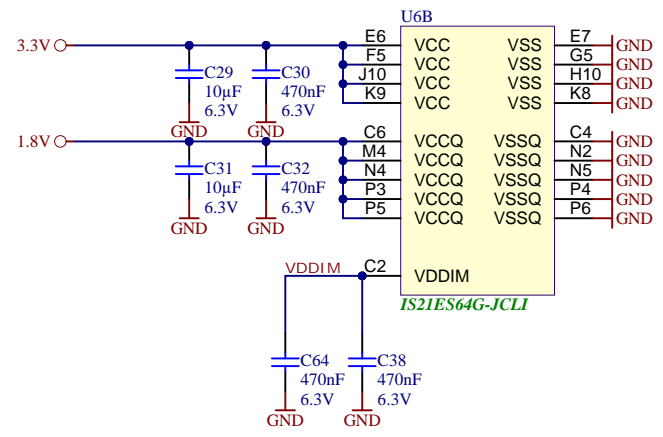
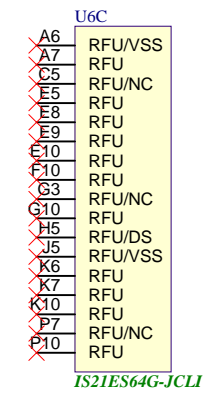
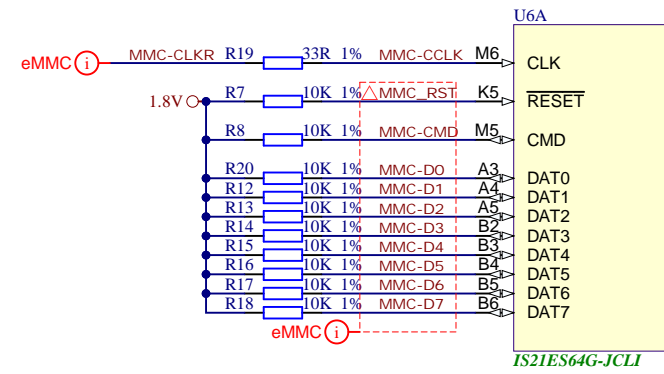
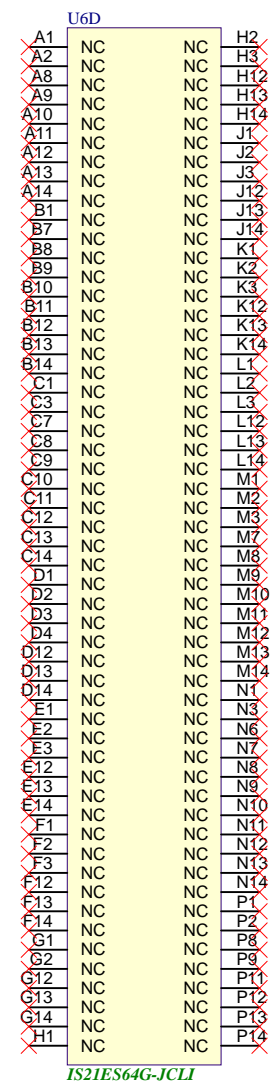
D



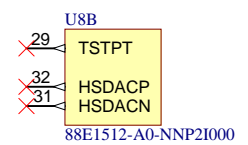
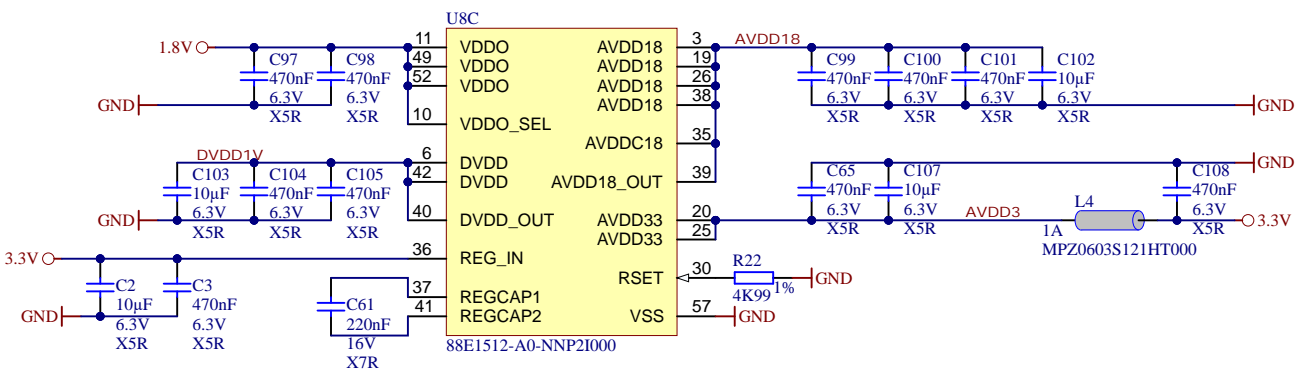
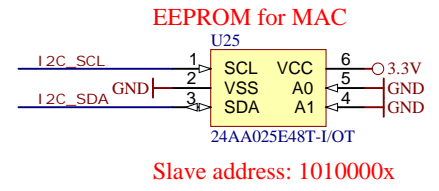
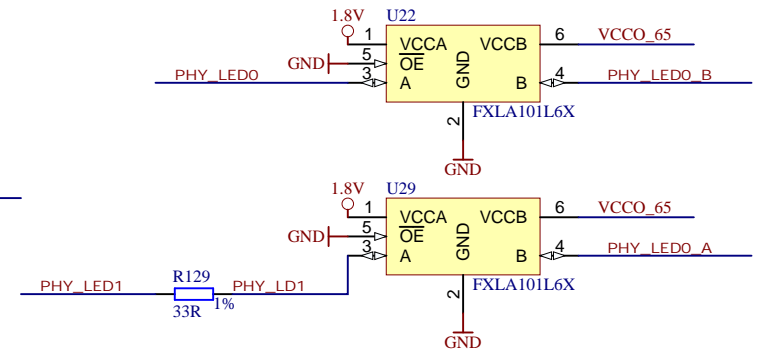
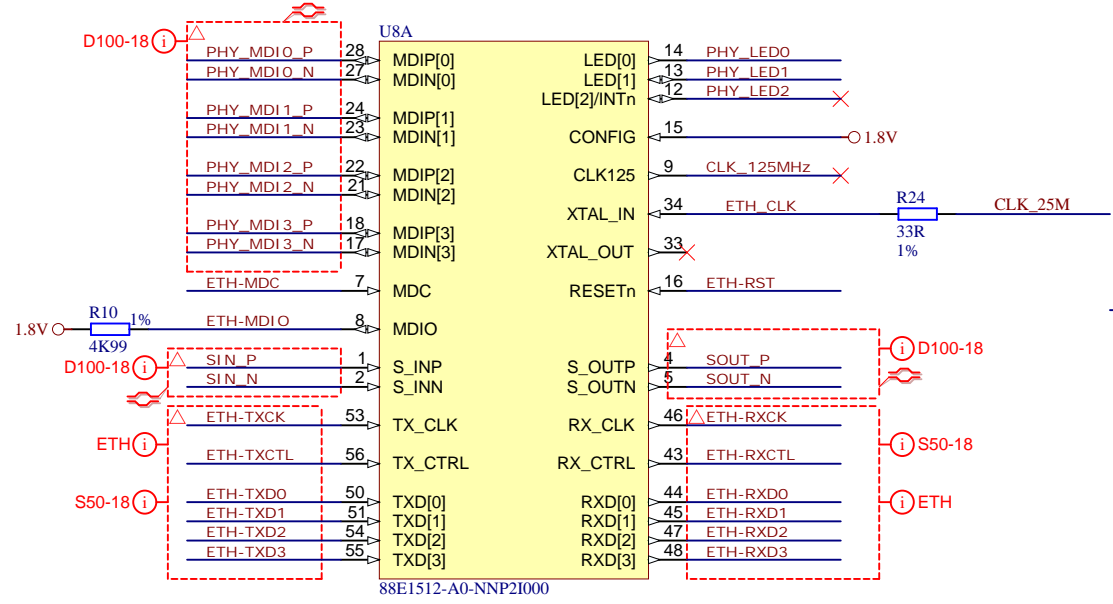
| | | |
|----------------------------|----------------------------------|---------------|
| Title: TE0820 - DDR4_1_RAM | | |
| A4 | Number: TE0820 4BI21KLZ | Rev. 05 |
| Date: 2022-05-10 | Copyright: Trenz Electronic GmbH | Page 18 of 24 |
| Filename: DDR4-RAM.SchDoc | | |



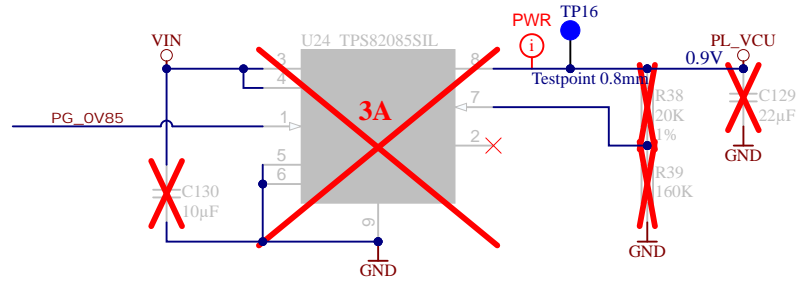
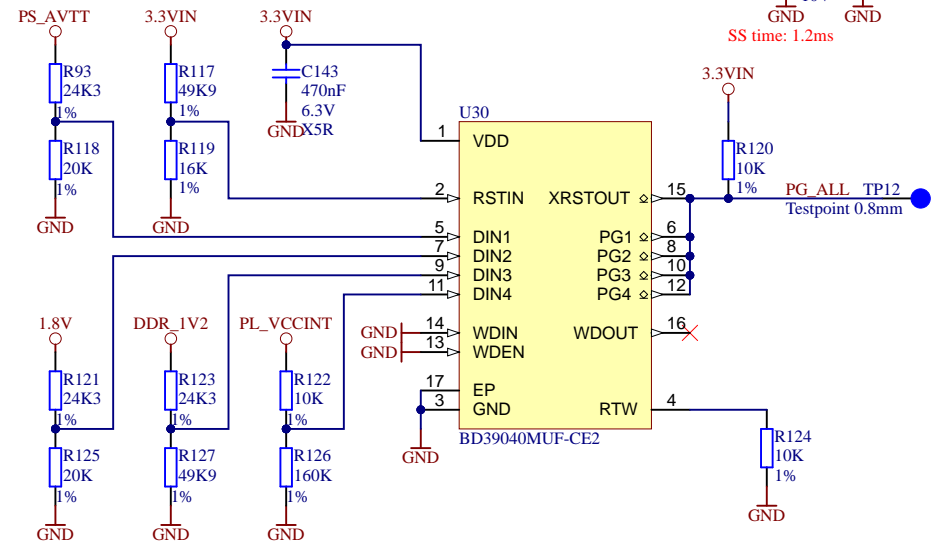
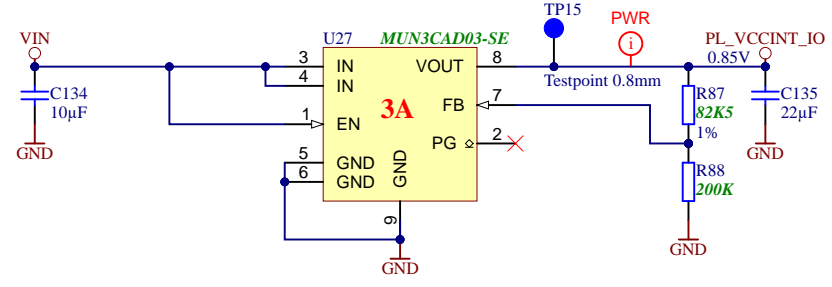
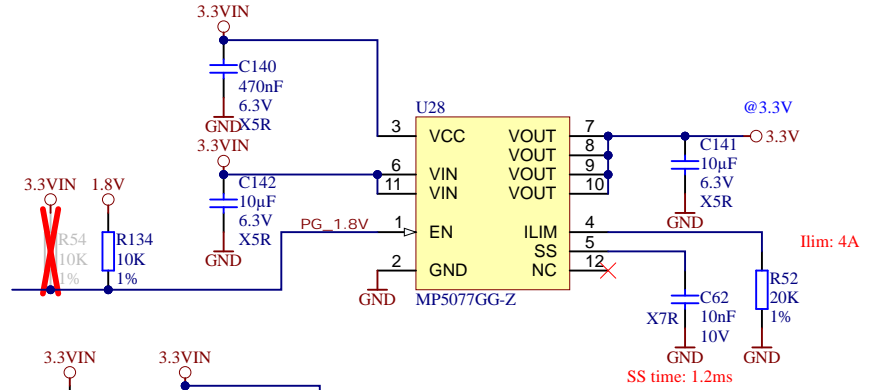
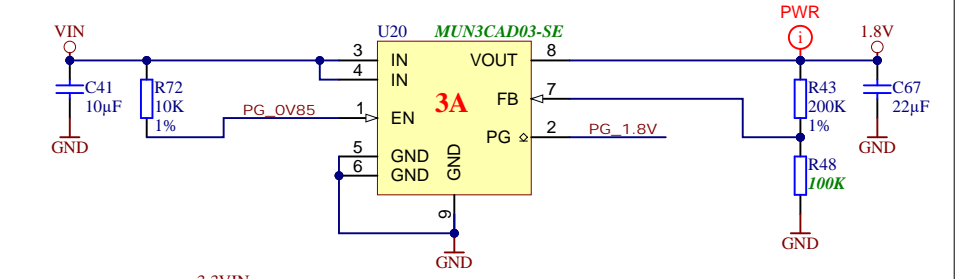
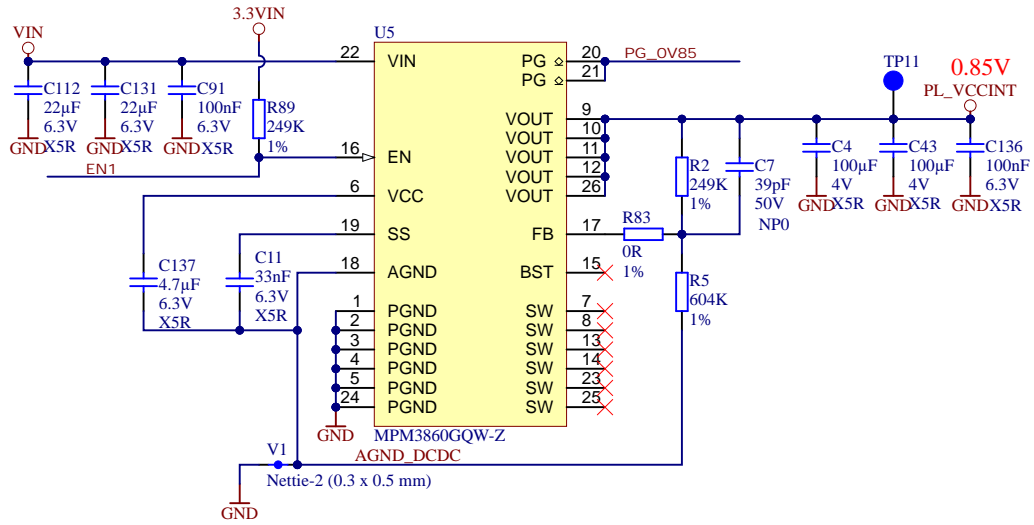
| | | |
|-----------------------------|----------------------------------|---------------|
| Title: TE0820 - DDR4_2_RAM | | |
| A4 | Number: TE0820 4BI21KLZ | Rev. 05 |
| Date: 2022-05-10 | Copyright: Trenz Electronic GmbH | Page 19 of 24 |
| Filename: DDR4-RAM_2.SchDoc | | |



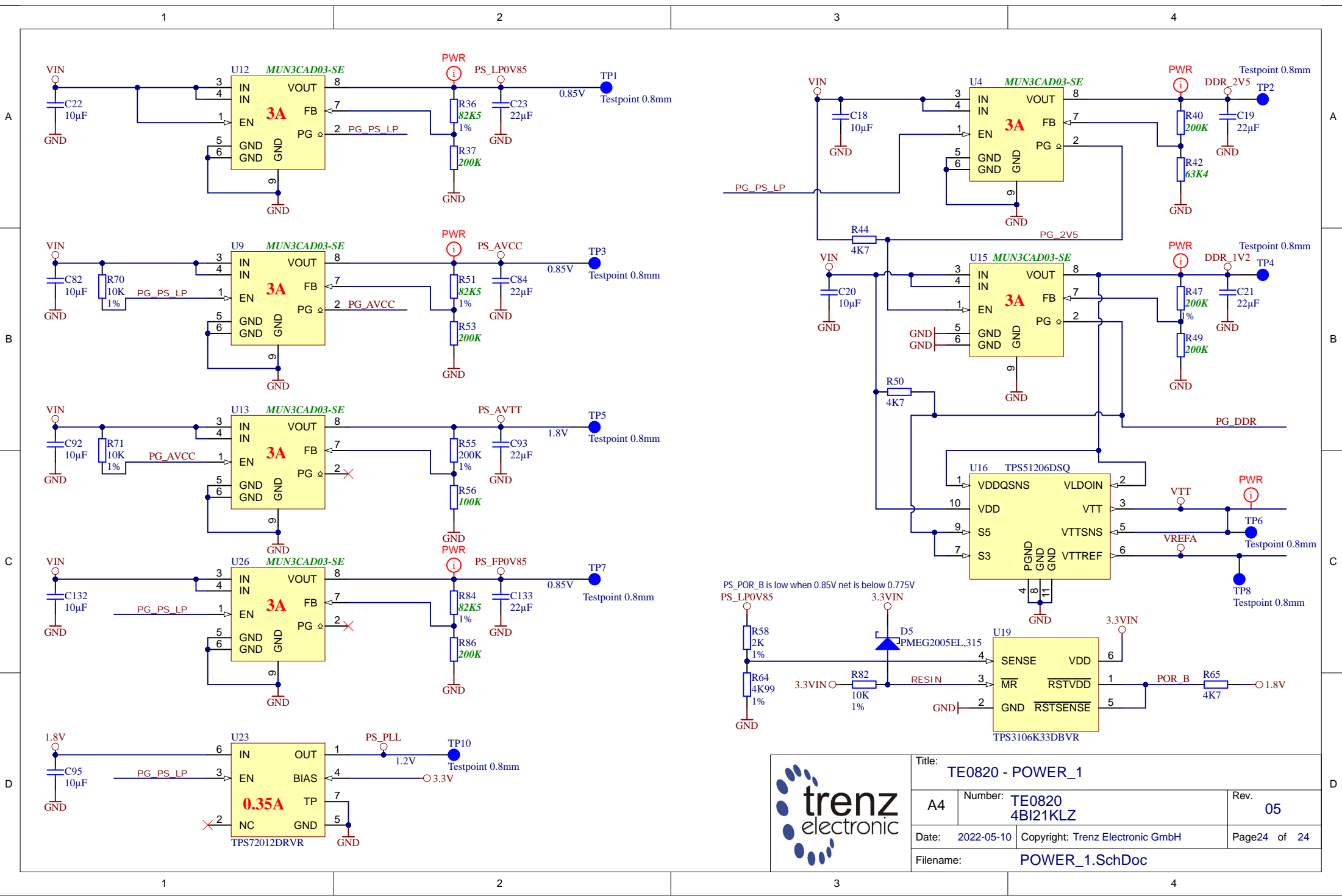
| | | |
|-----------------------|----------------------------------|--------------|
| Title: TE0820 - eMMC | | |
| A4 | Number: TE0820 4BI21KLZ | Rev. 05 |
| Date: 2022-05-10 | Copyright: Trenz Electronic GmbH | Page20 of 24 |
| Filename: eMMC.SchDoc | | |



| | | |
|--------------------------|----------------------------------|--------------|
| Title: TE0820 - Eth_PHY | | |
| A4 | Number: TE0820 4BI21KLZ | Rev. 05 |
| Date: 2022-05-10 | Copyright: Trenz Electronic GmbH | Page21 of 24 |
| Filename: ETH-PHY.SchDoc | | |



| | | |
|------------------------|----------------------------------|---------------|
| Title: TE0820 - POWER | | |
| A4 | Number: TE0820 4BI21KLZ | Rev. 05 |
| Date: 2022-05-10 | Copyright: Trenz Electronic GmbH | Page 23 of 24 |
| Filename: POWER.SchDoc | | |



| | | |
|--------------------------|----------------------------------|--------------|
| Title: TE0820 - POWER_1 | | |
| A4 | Number: TE0820 4BI21KLZ | Rev. 05 |
| Date: 2022-05-10 | Copyright: Trenz Electronic GmbH | Page24 of 24 |
| Filename: POWER_1.SchDoc | | |