

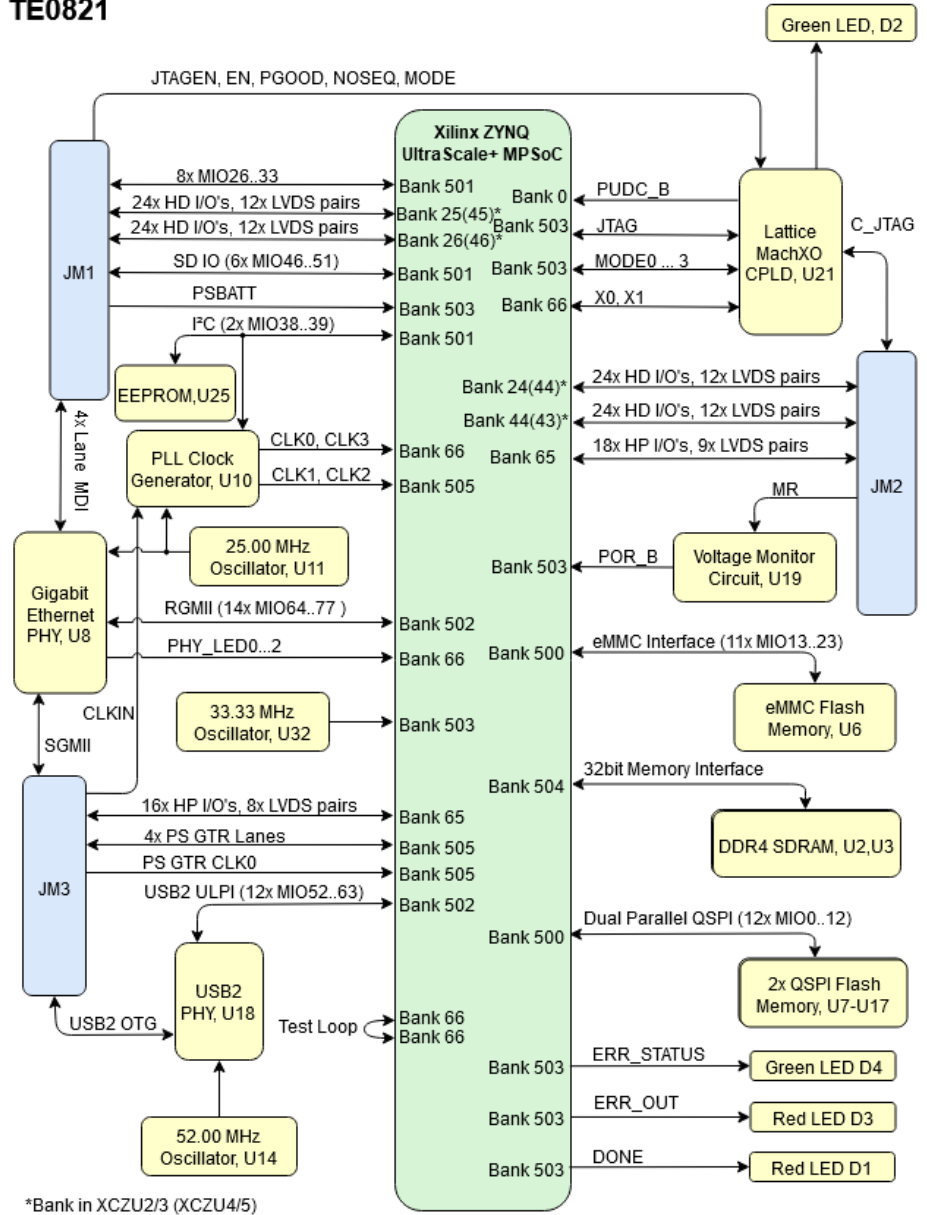
Regarding the usage of our schematics and alike documentation for Trenz module TE0821.


Project is protected under copyright and we strongly and strictly prohibit the reverse engineering or recreation, even if the design is just adapted or modified. TE0821 is protected under such right and in case of plagiarism we will have to do anything necessary in order to protect our assets.

Schematics and other handouts serve for informational purposes only!

	Title: Module TE0821		
	A4	Number: TE0821 3BI21ML	Rev. 01
	Date: 14.08.2020	Copyright: Trenz Electronic GmbH / TT	Page 1 of 24
	Filename: Legal Notices Modules.SchDoc		

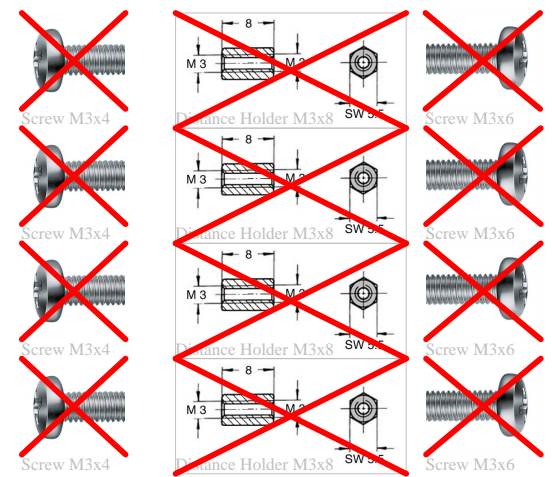
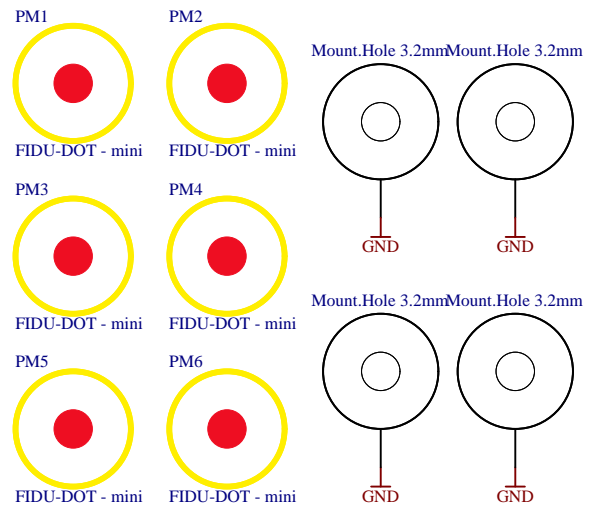
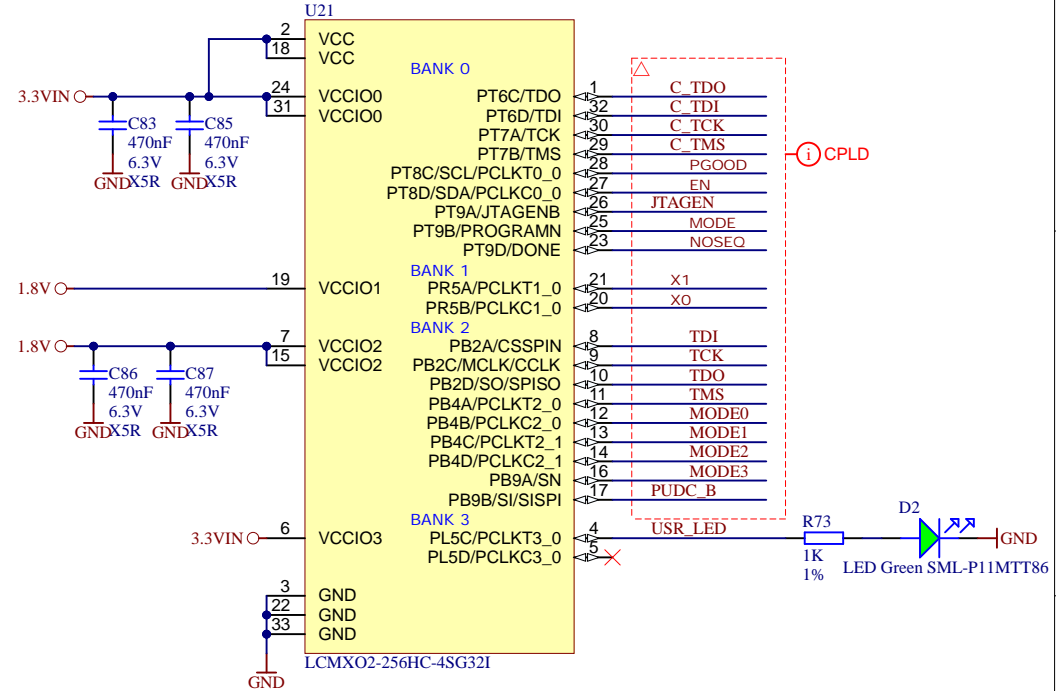
TE0821



		Title: Module TE0821 - System Overview	
		A4	Number: TE0821 3BI21ML Date: 18.01.2022 Filename: TE0821-Overview.SchDoc

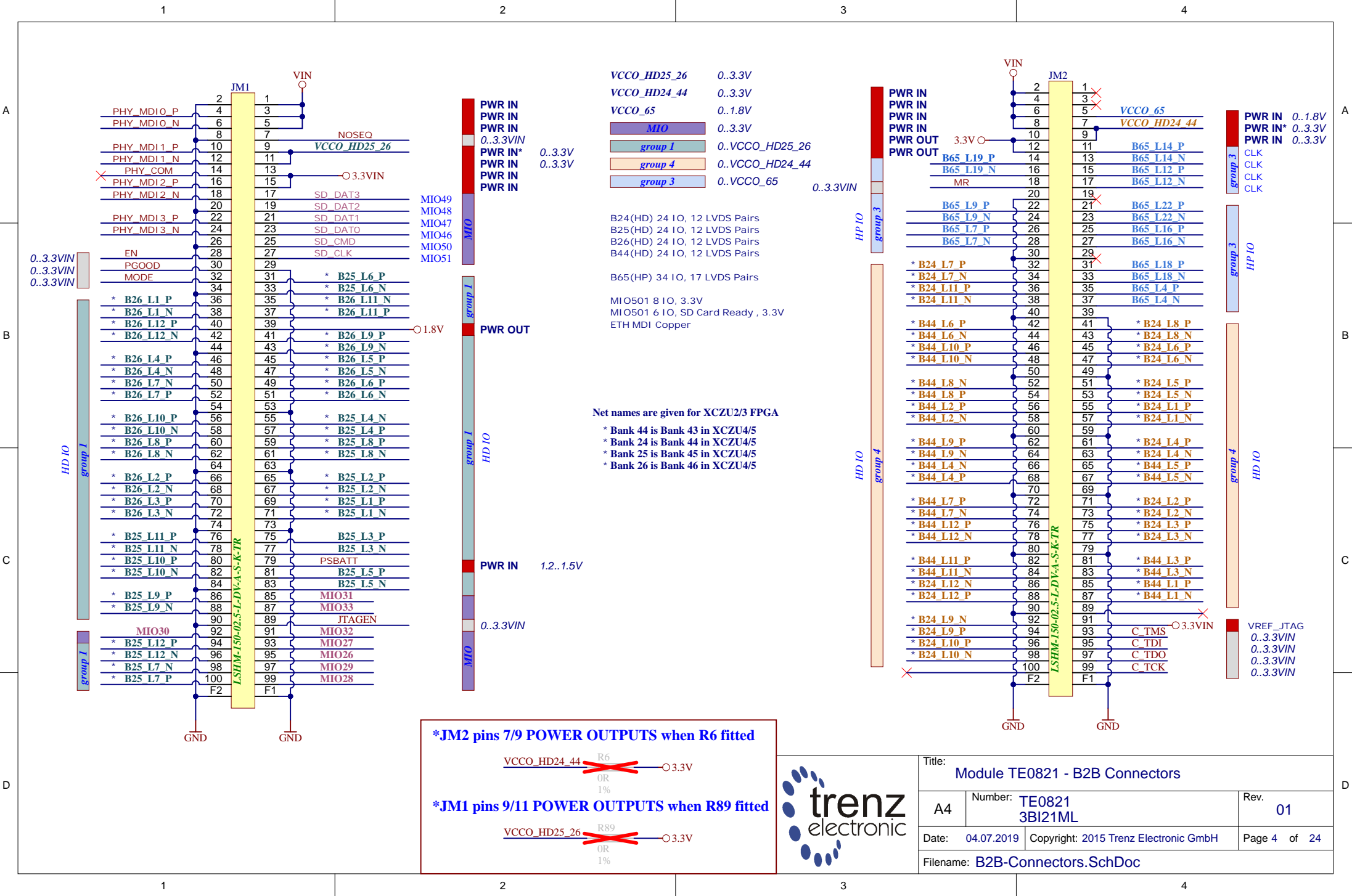
U_USB-PHY USB-PHY.SchDoc
U_ETH-PHY ETH-PHY.SchDoc
U_B_HD B_HD.SchDoc
U_B64 B64.SchDoc
U_B65 B65.SchDoc
U_B66 B66.SchDoc
U_CONFIG CONFIG.SchDoc
U_B_MIO B_MIO.SchDoc
U_B_PS_GT B_PS_GT.SchDoc
U_CLK CLK.SchDoc
U_Overview TE0821-Overview.SchDoc
U_LN Legal Notices Modules.SchDoc

U_B2B-Connectors B2B-Connectors.SchDoc
U_B2B-Connectors_2 B2B-Connectors_2.SchDoc
U_eMMC eMMC.SchDoc
U_PS_DDR PS_DDR.SchDoc
U_ZU_POWER ZU_POWER.SchDoc
U_ZU_PS_POWER ZU_PS_POWER.SchDoc
U_DDR4-RAM_2 DDR4-RAM_2.SchDoc
U_DDR4-RAM DDR4-RAM.SchDoc
U_POWER POWER.SchDoc
U_POWER_1 POWER_1.SchDoc
U_Revision_changes Revision Changes.SchDoc



Special notes:
Component RC0201FR-0710KL removed

	Title: Module TE0821		
	A4	Number: TE0821 3BI21ML	Rev. 01
	Date: 20.02.2019	Copyright: 2015 Trenz Electronic GmbH	Page 3 of 24
	Filename: TE0821.SchDoc		



***JM2 pins 7/9 POWER OUTPUTS when R6 fitted**

VCCO_HD24_44 ~~R6~~ 0.3.3V
OR
1%

***JM1 pins 9/11 POWER OUTPUTS when R89 fitted**

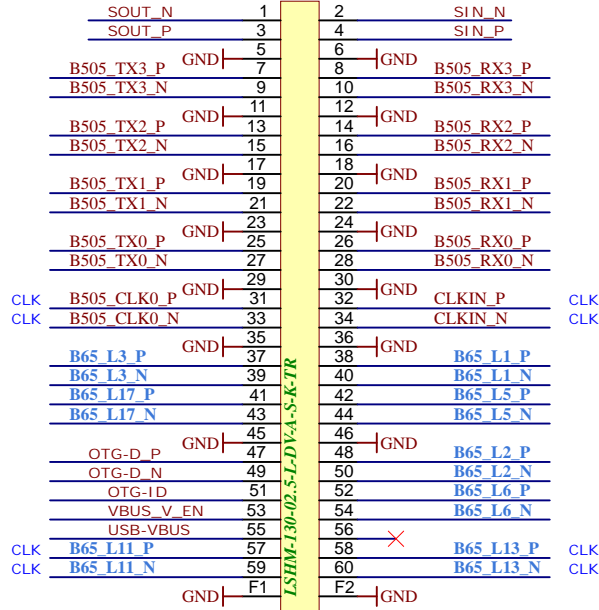
VCCO_HD25_26 ~~R89~~ 0.3.3V
OR
1%



Title: Module TE0821 - B2B Connectors		
A4	Number: TE0821 3BI21ML	Rev. 01
Date: 04.07.2019	Copyright: 2015 Trenz Electronic GmbH	Page 4 of 24
Filename: B2B-Connectors.SchDoc		

USB OTG
 ETH SGMII
 PS_GTR 4 Lanes
 PS_GTR CLK IN
 PLL CLK IN

JM3



HP IO
 group 3
 USB
 HP IO

group 3
 group 3
 group 3

LSHM-130-02.5-L-DVA-S-K-TR

X

X



Title: Module TE0821 - B2B Connectors		
A4	Number: TE0821 3BI21ML	Rev. 01
Date: 20.02.2019	Copyright: 2015 Trenz Electronic GmbH	Page 5 of 24
Filename: B2B-Connectors_2.SchDoc		

A

A

B

B

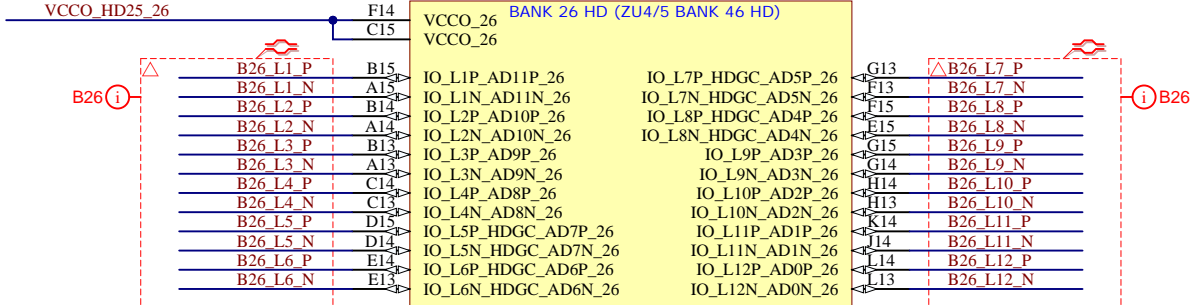
C

C

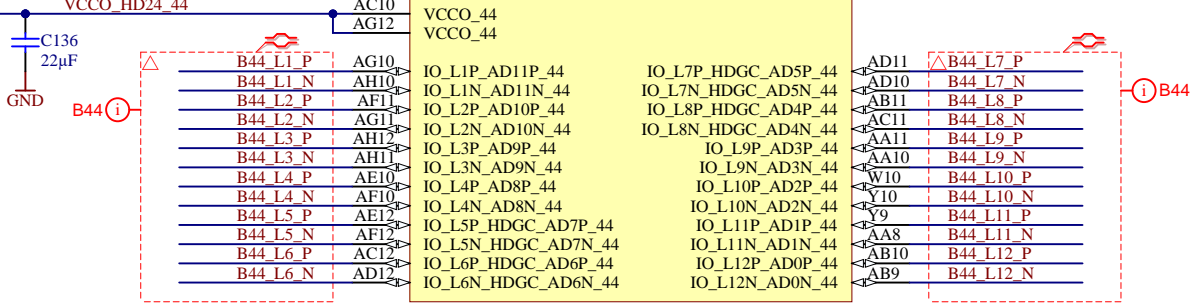
D

D

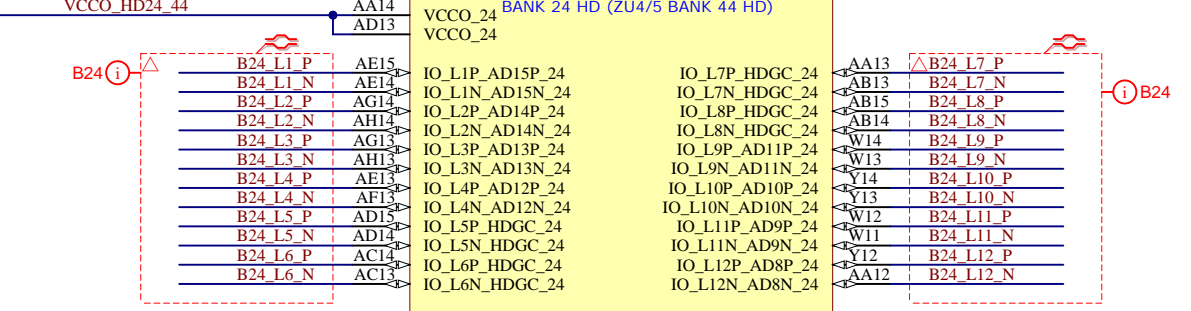
UIC



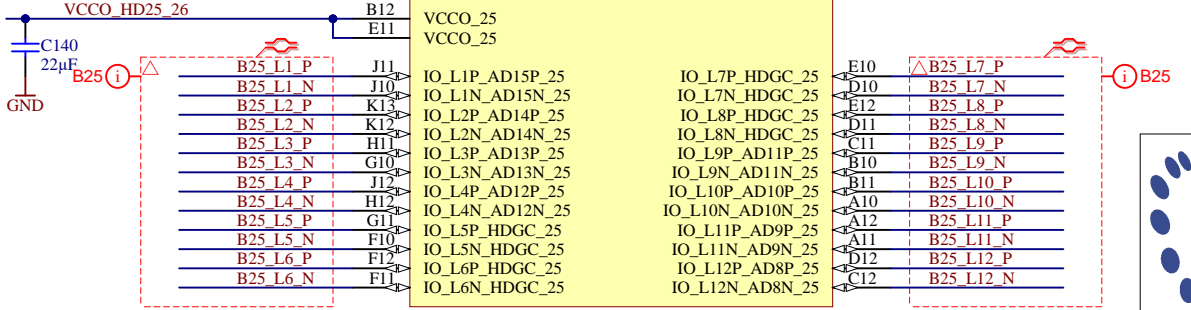
BANK 44 HD (ZU4/5 BANK 43 HD)



UIB XCZU3EG-1SFVC784I



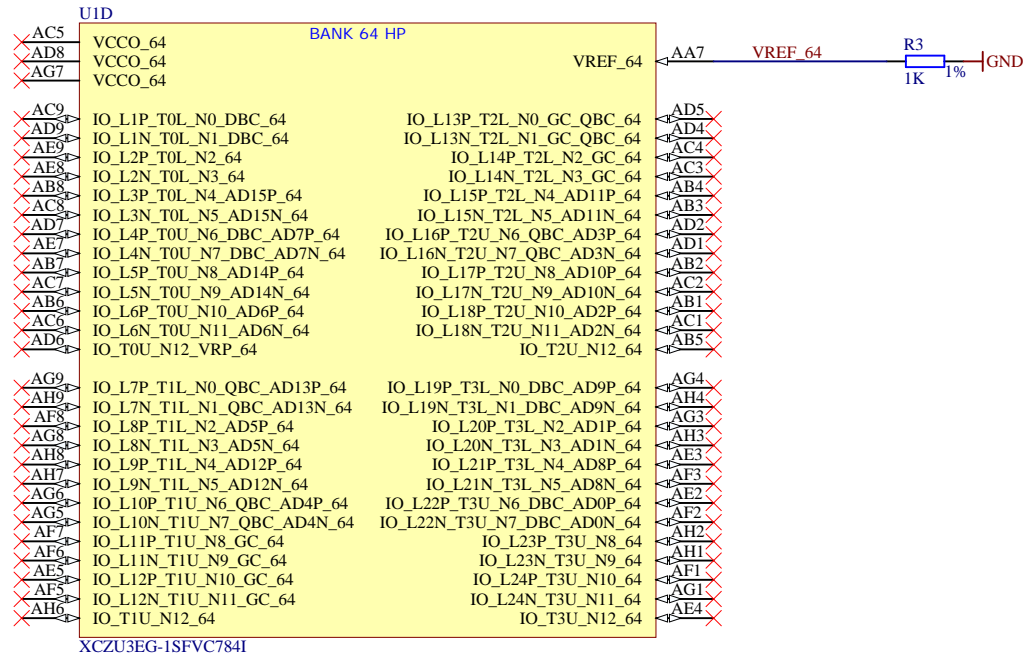

BANK 25 HD (ZU4/5 BANK 45 HD)



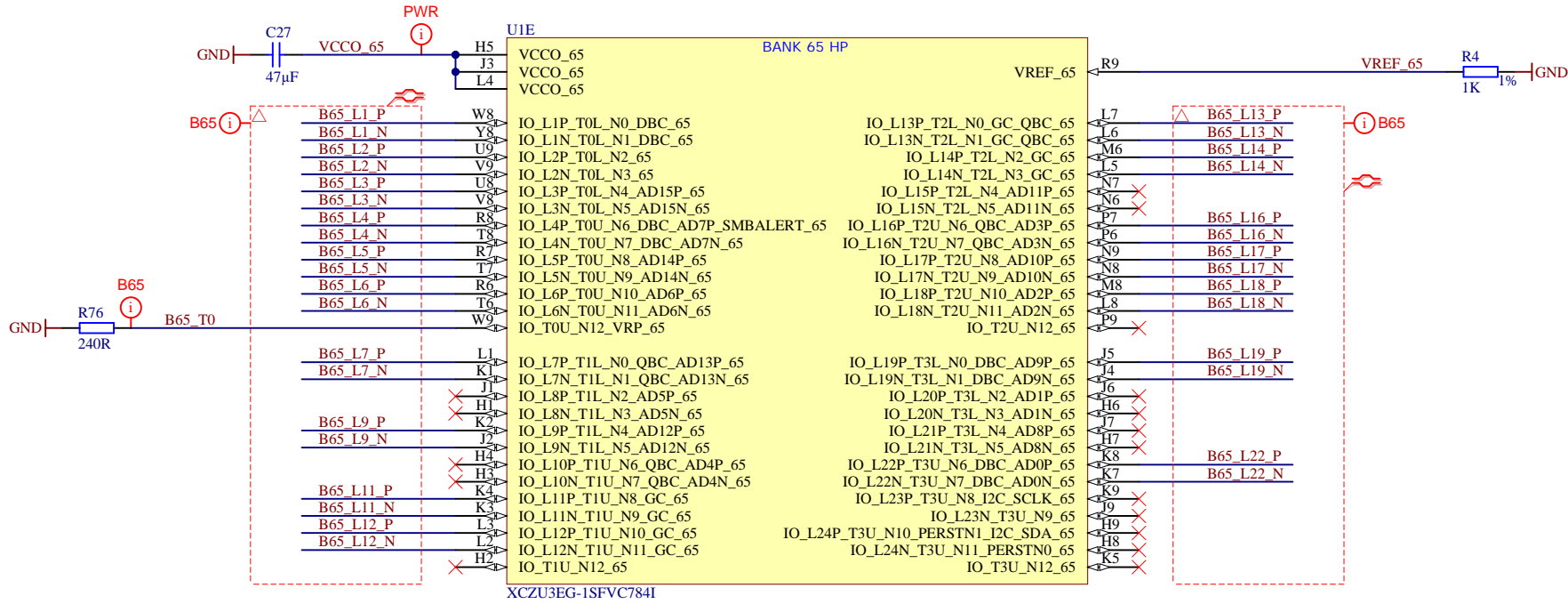
XCZU3EG-1SFVC784I



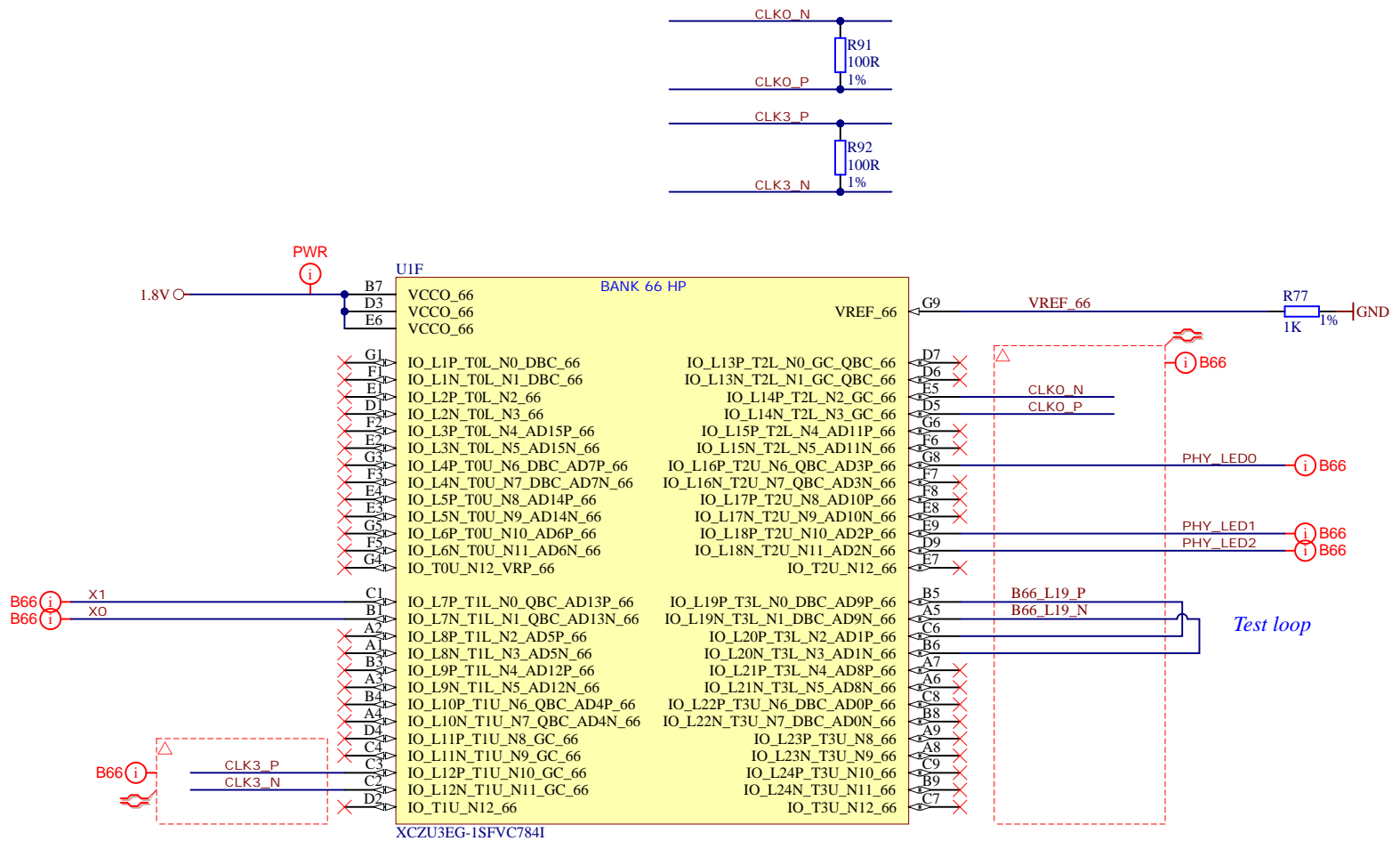
Title: Module TE0821 - HD Banks		
A4	Number: TE0821 3BI21ML	Rev. 01
Date: 20.02.2019	Copyright: Trenz Electronic GmbH / TT	Page 7 of 24
Filename: B_HD.SchDoc		

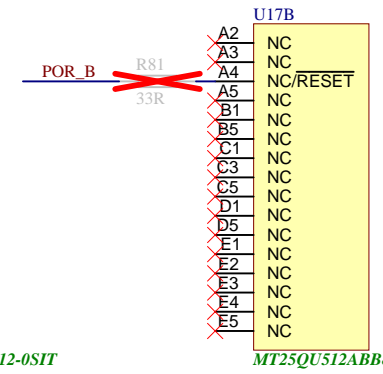
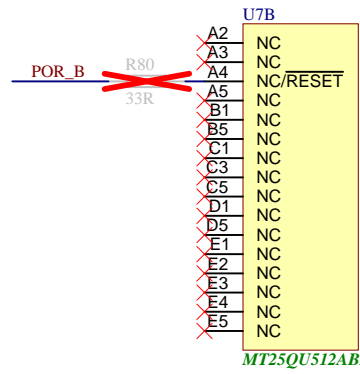
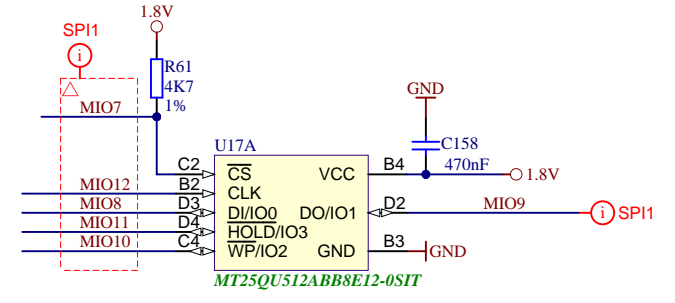
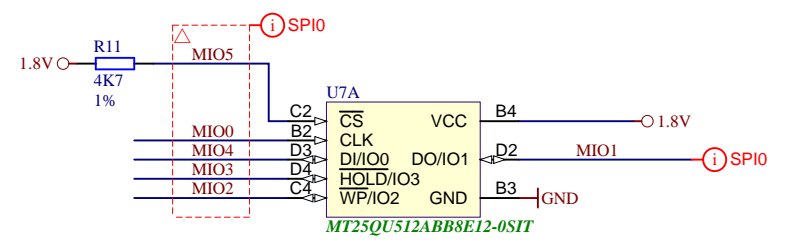
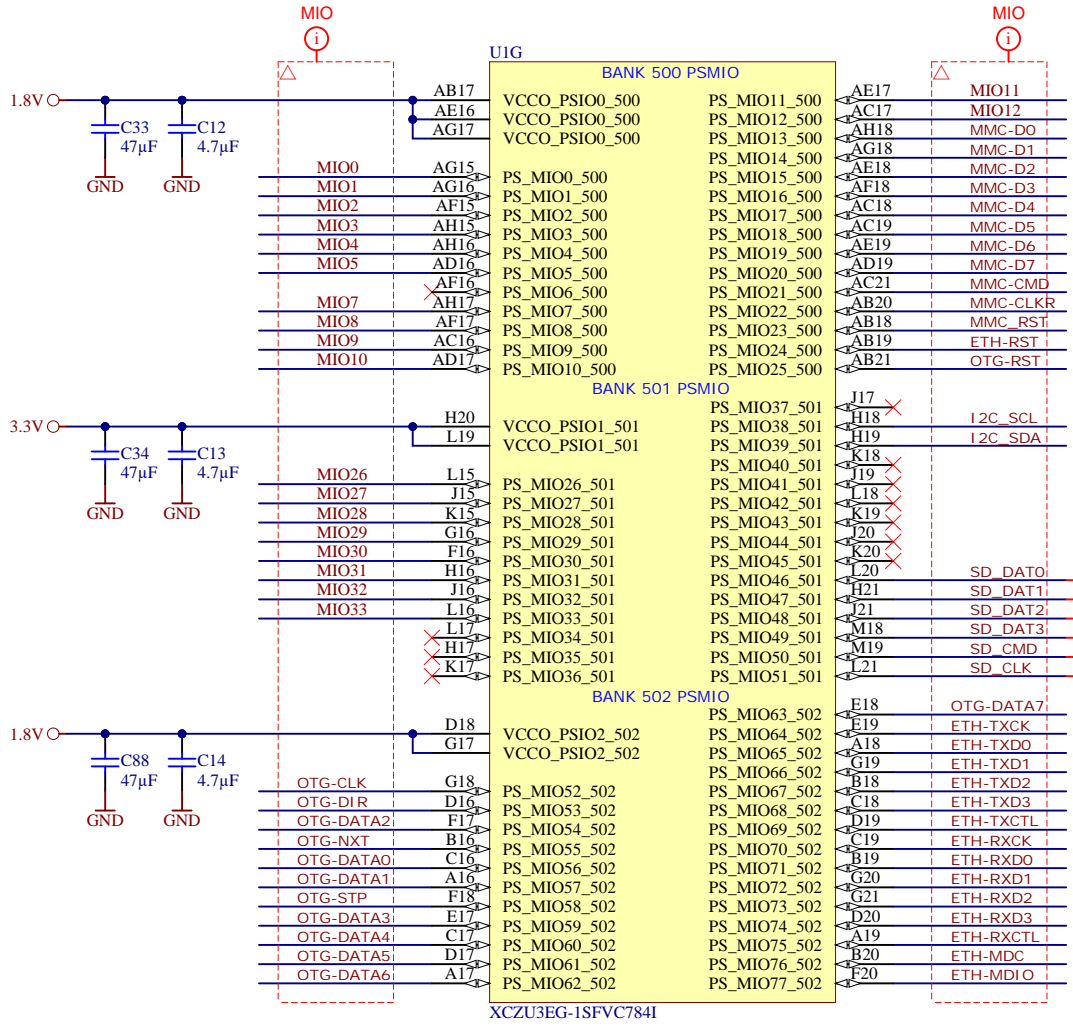
Title: Module TE0821 - B64		
A4	Number: TE0821 3BI21ML	Rev. 01
Date: 20.02.2019	Copyright: Trenz Electronic GmbH / TT	Page 8 of 24
Filename: B64.SchDoc		



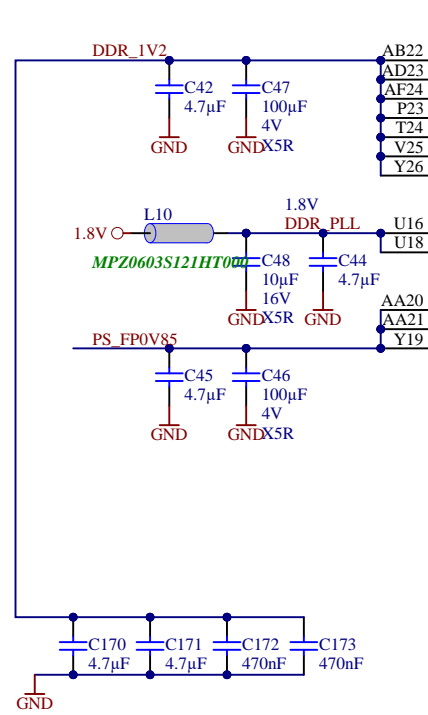
Title: Module TE0821 - B65		
A4	Number: TE0821 3BI21ML	Rev. 01
Date: 20.02.2019	Copyright: Trenz Electronic GmbH / TT	Page 9 of 24
Filename: B65.SchDoc		



Title: Module TE0821 - B66		
A4	Number: TE0821 3BI21ML	Rev. 01
Date: 20.02.2019	Copyright: Trenz Electronic GmbH / TT	Page 10 of 24
Filename: B66.SchDoc		



		Title: Module TE0821 - MIO Banks	
		A4	Number: TE0821 3BI21ML Date: 20.02.2019 Filename: B_MIO.SchDoc



U11

BANK 504 PSDDR

VCCO_PSDDR_504	PS_DDR_CK0_504	W25	DDR4-CLK0 P
VCCO_PSDDR_504	PS_DDR_CK_N0_504	W26	DDR4-CLK0 N
VCCO_PSDDR_504	PS_DDR_CKE0_504	V28	DDR4-CKE0
VCCO_PSDDR_504	PS_DDR_CK1_504	Y24	
VCCO_PSDDR_504	PS_DDR_CK_N1_504	Y25	
VCCO_PSDDR_504	PS_DDR_CKE1_504	V27	
VCC_PSDDR_PLL	PS_DDR_A0_504	W28	DDR4-A0
VCC_PSDDR_PLL	PS_DDR_A1_504	Y28	DDR4-A1
VCC_PSDDR_PLL	PS_DDR_A2_504	AB28	DDR4-A2
VCC_PSDDR_PLL	PS_DDR_A3_504	AA28	DDR4-A3
VCC_PSDDR_PLL	PS_DDR_A4_504	Y27	DDR4-A4
VCC_PSDDR_PLL	PS_DDR_A5_504	AA27	DDR4-A5
VCC_PSDDR_PLL	PS_DDR_A6_504	Y22	DDR4-A6
VCC_PSDDR_PLL	PS_DDR_A7_504	AA23	DDR4-A7
VCC_PSDDR_PLL	PS_DDR_A8_504	AA22	DDR4-A8
VCC_PSDDR_PLL	PS_DDR_A9_504	AB23	DDR4-A9
VCC_PSDDR_PLL	PS_DDR_A10_504	AA25	DDR4-A10
VCC_PSDDR_PLL	PS_DDR_A11_504	AA26	DDR4-A11
VCC_PSDDR_PLL	PS_DDR_A12_504	AB25	DDR4-A12
VCC_PSDDR_PLL	PS_DDR_A13_504	AB26	DDR4-A13
VCC_PSDDR_PLL	PS_DDR_A14_504	AB24	DDR4-A14
VCC_PSDDR_PLL	PS_DDR_A15_504	AC24	DDR4-A15
VCC_PSDDR_PLL	PS_DDR_A16_504	AC23	DDR4-A16
VCC_PSDDR_PLL	PS_DDR_A17_504	AC22	DDR4-A17
PS_DDR_CS_N0_504		W27	DDR4-CS
PS_DDR_CS_N1_504		V26	
PS_DDR_BA0_504		V23	DDR4-BA0
PS_DDR_BA1_504		W22	DDR4-BA1
PS_DDR_BG0_504		W24	DDR4-BG0
PS_DDR_BG1_504		V22	DDR4-BG1
PS_DDR_PARITY_504		V24	DDR4-PAR
PS_DDR_RAM_RST_N_504		U23	DDR4-RESET
PS_DDR_ACT_N_504		Y23	DDR4-ACT
PS_DDR_ALERT_N_504		U25	DDR4-ALERT
PS_DDR_ZQ_504		U24	
PS_DDR_ODT0_504		U28	DDR4-ODT0
PS_DDR_ODT1_504		U26	

XCZU3EG-1SFVC784I

U1J

BANK 504 PSDDR

DQ0	AD21	PS_DDR_DQ0_504	PS_DDR_DQ32_504	T22
DQ1	AE20	PS_DDR_DQ1_504	PS_DDR_DQ33_504	R22
DQ2	AD20	PS_DDR_DQ2_504	PS_DDR_DQ34_504	P22
DQ3	AF20	PS_DDR_DQ3_504	PS_DDR_DQ35_504	N22
DQ4	AH21	PS_DDR_DQ4_504	PS_DDR_DQ36_504	T23
DQ5	AH20	PS_DDR_DQ5_504	PS_DDR_DQ37_504	P24
DQ6	AH19	PS_DDR_DQ6_504	PS_DDR_DQ38_504	R24
DQ7	AG19	PS_DDR_DQ7_504	PS_DDR_DQ39_504	N24
DQ8	AF22	PS_DDR_DQ8_504	PS_DDR_DQ40_504	H24
DQ9	AH22	PS_DDR_DQ9_504	PS_DDR_DQ41_504	J24
DQ10	AE22	PS_DDR_DQ10_504	PS_DDR_DQ42_504	M24
DQ11	AD23	PS_DDR_DQ11_504	PS_DDR_DQ43_504	K24
DQ12	AH23	PS_DDR_DQ12_504	PS_DDR_DQ44_504	J22
DQ13	AH24	PS_DDR_DQ13_504	PS_DDR_DQ45_504	H22
DQ14	AE24	PS_DDR_DQ14_504	PS_DDR_DQ46_504	K22
DQ15	AG24	PS_DDR_DQ15_504	PS_DDR_DQ47_504	J22
DQ16	AC26	PS_DDR_DQ16_504	PS_DDR_DQ48_504	M25
DQ17	AD26	PS_DDR_DQ17_504	PS_DDR_DQ49_504	M26
DQ18	AD25	PS_DDR_DQ18_504	PS_DDR_DQ50_504	L25
DQ19	AD24	PS_DDR_DQ19_504	PS_DDR_DQ51_504	L26
DQ20	AG26	PS_DDR_DQ20_504	PS_DDR_DQ52_504	K28
DQ21	AH25	PS_DDR_DQ21_504	PS_DDR_DQ53_504	L28
DQ22	AH26	PS_DDR_DQ22_504	PS_DDR_DQ54_504	M28
DQ23	AG25	PS_DDR_DQ23_504	PS_DDR_DQ55_504	N28
DQ24	AH27	PS_DDR_DQ24_504	PS_DDR_DQ56_504	J28
DQ25	AH28	PS_DDR_DQ25_504	PS_DDR_DQ57_504	K27
DQ26	AF28	PS_DDR_DQ26_504	PS_DDR_DQ58_504	H28
DQ27	AG28	PS_DDR_DQ27_504	PS_DDR_DQ59_504	H27
DQ28	AC27	PS_DDR_DQ28_504	PS_DDR_DQ60_504	G26
DQ29	AD27	PS_DDR_DQ29_504	PS_DDR_DQ61_504	G25
DQ30	AD28	PS_DDR_DQ30_504	PS_DDR_DQ62_504	K25
DQ31	AC28	PS_DDR_DQ31_504	PS_DDR_DQ63_504	J25
DDR4-DQS0 P	AF21	PS_DDR_DQS_P0_504	PS_DDR_DQ64_504	T28
DDR4-DQS0 N	AG21	PS_DDR_DQS_N0_504	PS_DDR_DQ65_504	R28
DDR4-DQS1 P	AF23	PS_DDR_DQS_P1_504	PS_DDR_DQ66_504	P28
DDR4-DQS1 N	AG23	PS_DDR_DQS_N1_504	PS_DDR_DQ67_504	P27
DDR4-DQS2 P	AF25	PS_DDR_DQS_P2_504	PS_DDR_DQ68_504	P26
DDR4-DQS2 N	AF26	PS_DDR_DQS_N2_504	PS_DDR_DQ69_504	R25
DDR4-DQS3 P	AE27	PS_DDR_DQS_P3_504	PS_DDR_DQ70_504	P25
DDR4-DQS3 N	AE27	PS_DDR_DQS_N3_504	PS_DDR_DQ71_504	T25
PS_DDR_DQS_P4_504	N23	PS_DDR_DM0_504	AG20	DDR4-DM0
PS_DDR_DQS_N4_504	M23	PS_DDR_DM1_504	AE23	DDR4-DM1
PS_DDR_DQS_P5_504	L23	PS_DDR_DM2_504	AE25	DDR4-DM2
PS_DDR_DQS_N5_504	K23	PS_DDR_DM3_504	AE28	DDR4-DM3
PS_DDR_DQS_P6_504	N26	PS_DDR_DM4_504	R23	
PS_DDR_DQS_N6_504	N27	PS_DDR_DM5_504	H23	
PS_DDR_DQS_P7_504	J26	PS_DDR_DM6_504	L27	
PS_DDR_DQS_N7_504	J27	PS_DDR_DM7_504	H26	
PS_DDR_DQS_P8_504	R27	PS_DDR_DM8_504	T26	
PS_DDR_DQS_N8_504	T27			

XCZU3EG-1SFVC784I



Title: Module TE0821 - PS DDR		
A4	Number: TE0821 3BI21ML	Rev. 01
Date: 20.02.2019	Copyright: Trenz Electronic GmbH / TT	Page 12 of 24
Filename: PS_DDR.SchDoc		

1

2

3

4

A

A

B

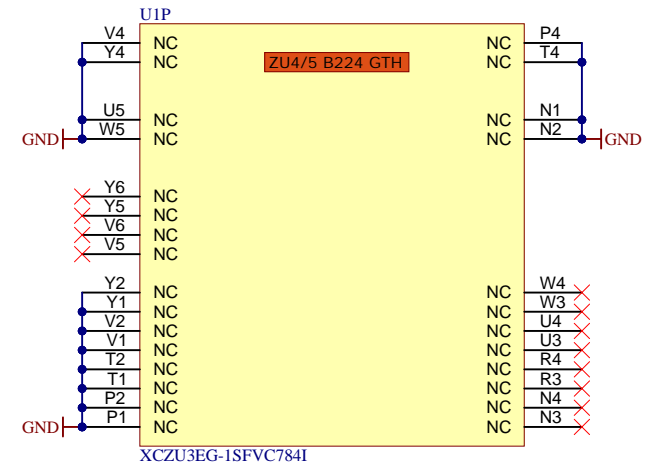
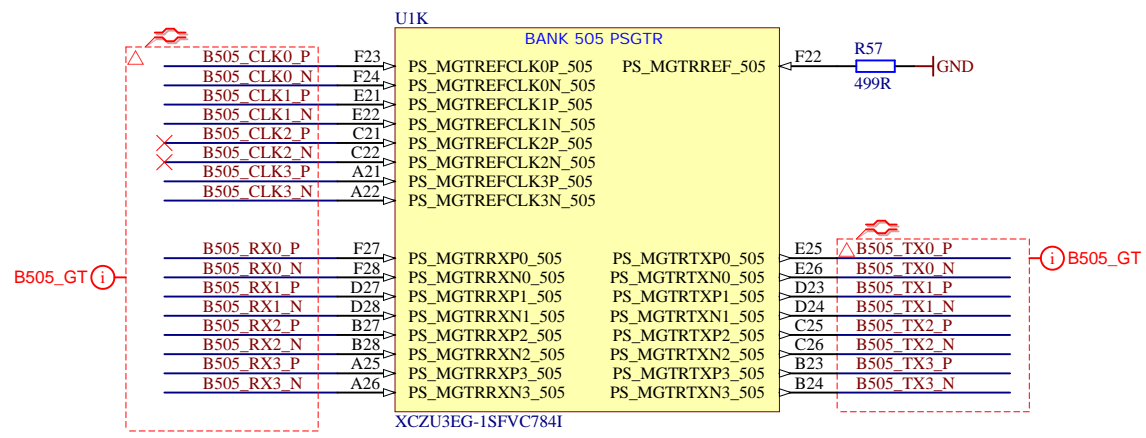

B

C

C

D

D

Title: Module TE0821 - PS MGT		
A4	Number: TE0821 3BI21ML	Rev. 01
Date: 20.02.2019	Copyright: Trenz Electronic GmbH / TT	Page 13 of 24
Filename: B_PS_GT.SchDoc		

1

2

3

4

1

2

3

4

A

A

B

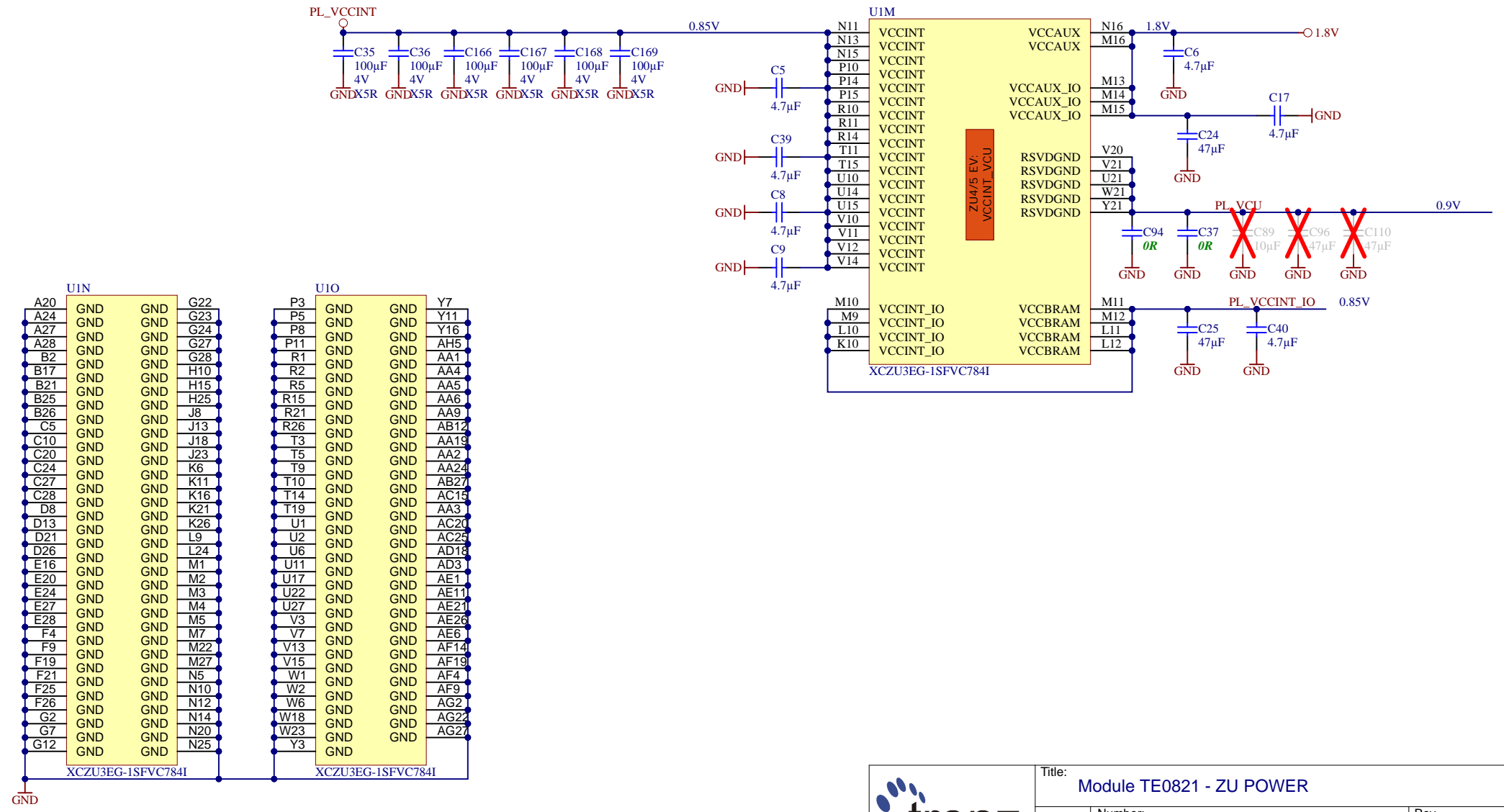
B

C

C

D

D



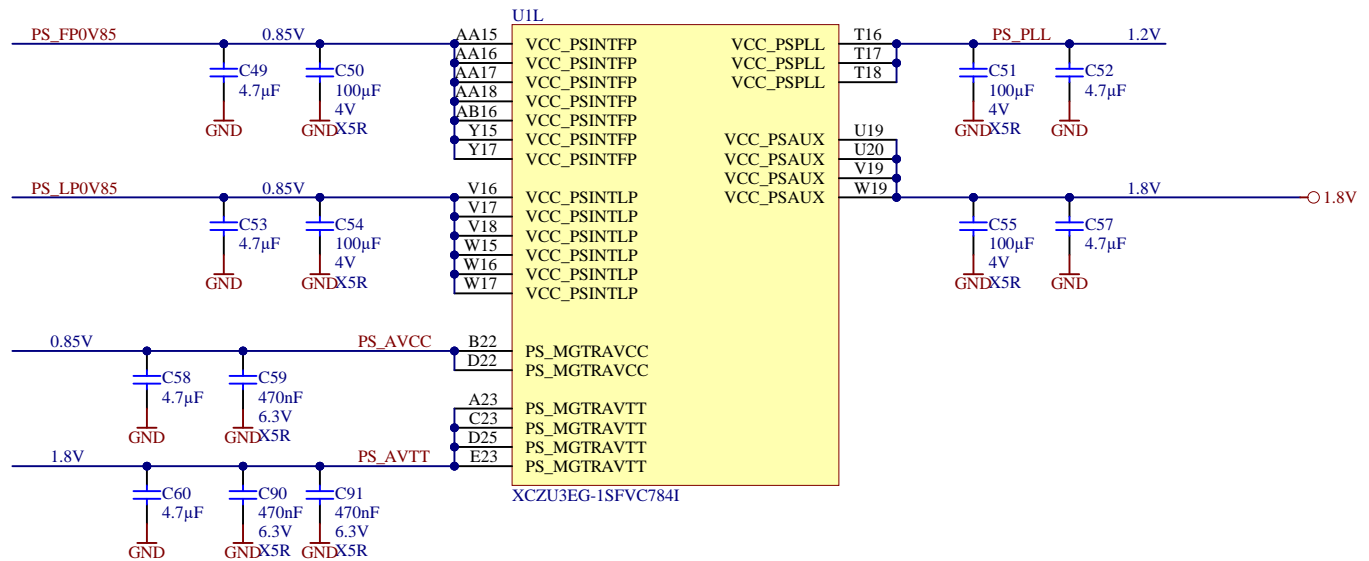
Title: Module TE0821 - ZU POWER		
A4	Number: TE0821 3BI21ML	Rev. 01
Date: 20.02.2019	Copyright: Trenz Electronic GmbH / TT	Page 14 of 24
Filename: ZU_POWER.SchDoc		


1

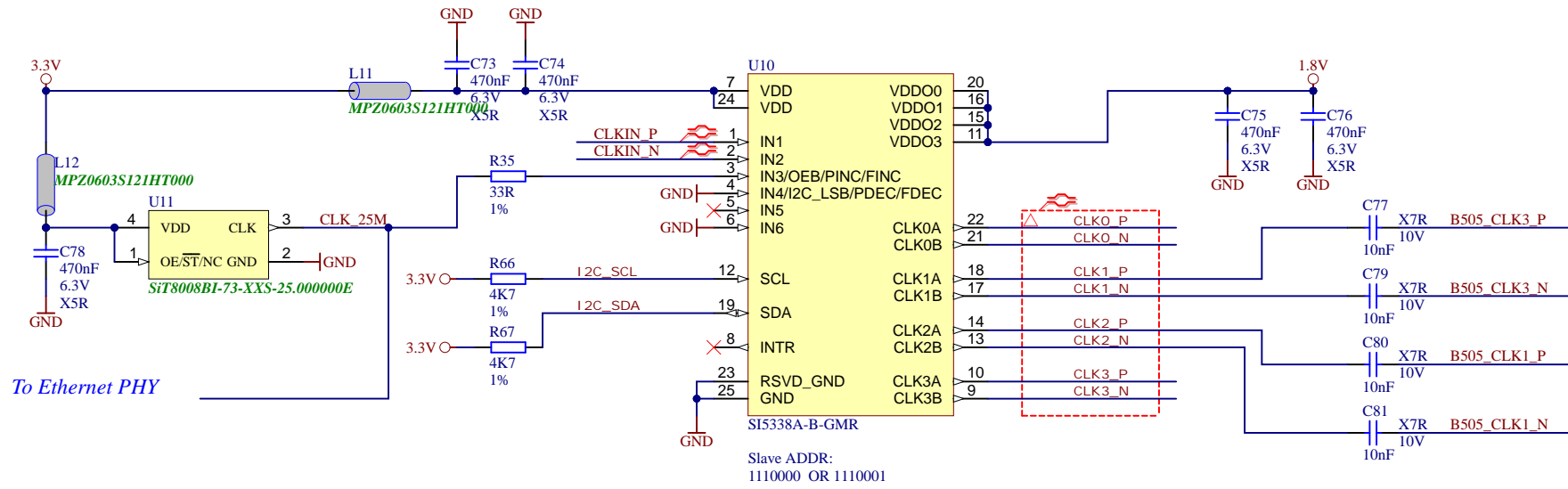
2

3

4




	Title: Module TE0821 - ZU PS POWER		
	A4	Number: TE0821 3BI21ML	Rev. 01
	Date: 20.02.2019	Copyright: Trenz Electronic GmbH / TT	Page 15 of 24
	Filename: ZU_PS_POWER.SchDoc		



To Ethernet PHY

Slave ADDR:
1110000 OR 1110001

		Title: Module TE0821 - CLK	
		A4	Number: TE0821 3BI21ML
Date: 20.02.2019		Copyright: 2015 Trenz Electronic GmbH	
Filename: CLK.SchDoc		Page 16 of 24	

A

B

C

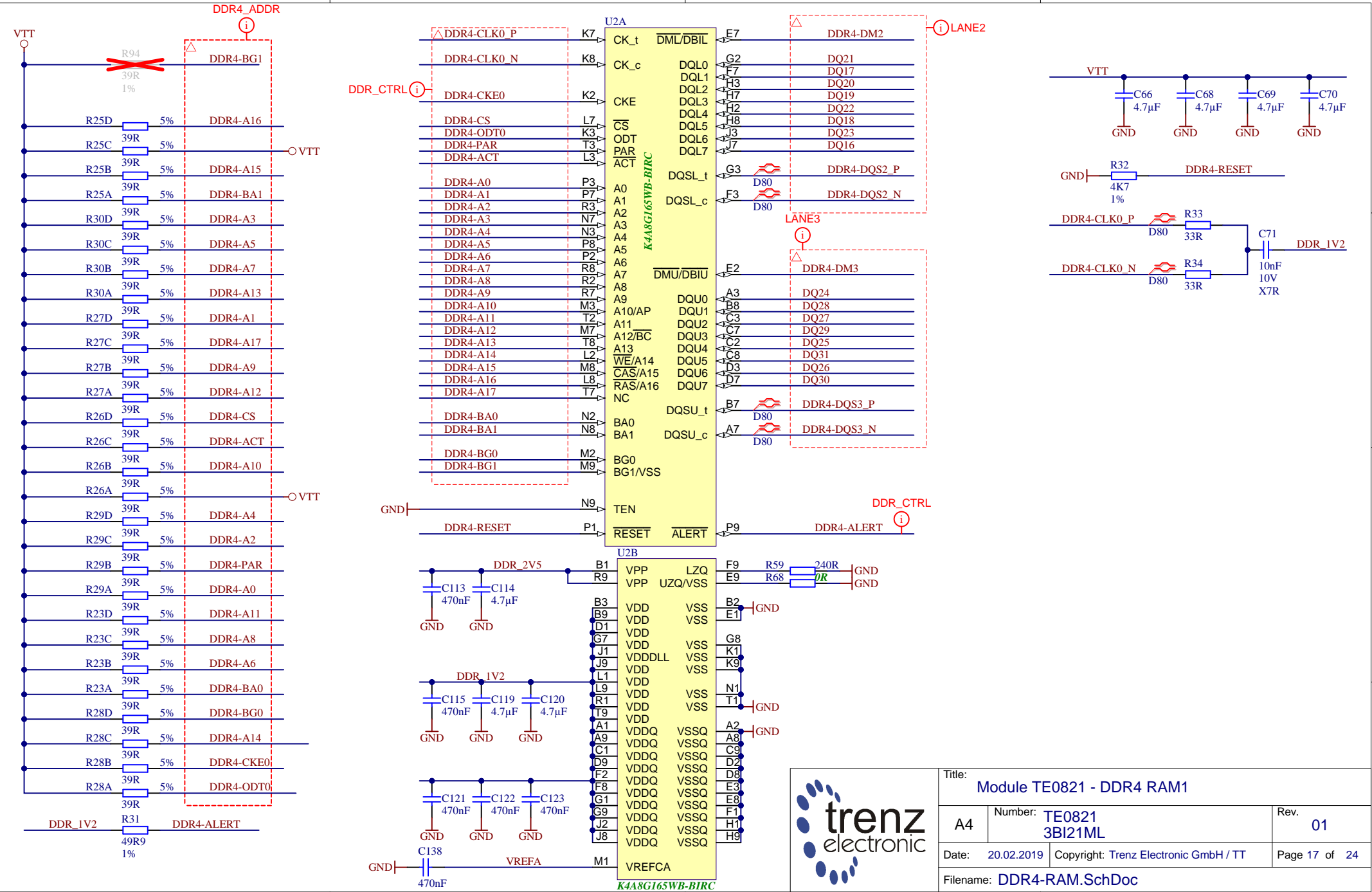
D

A

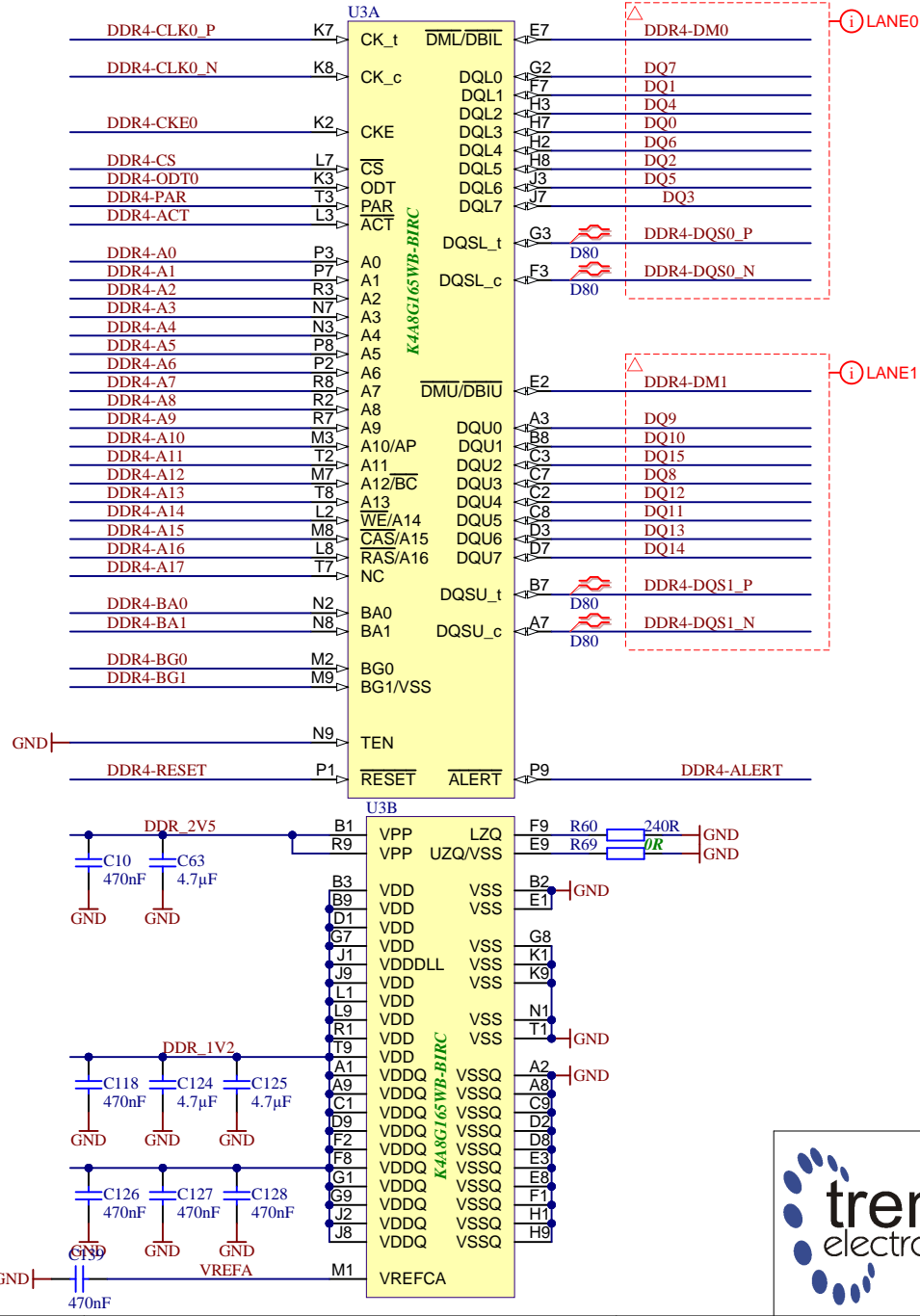

B

C

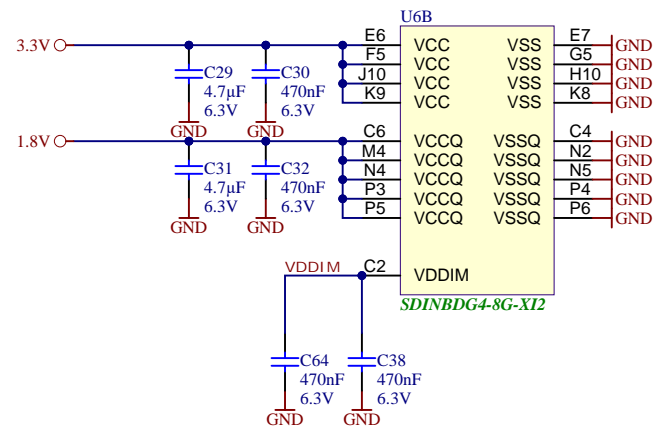
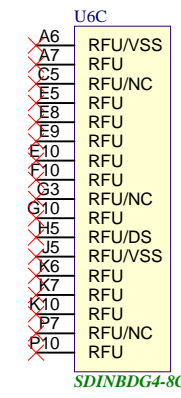
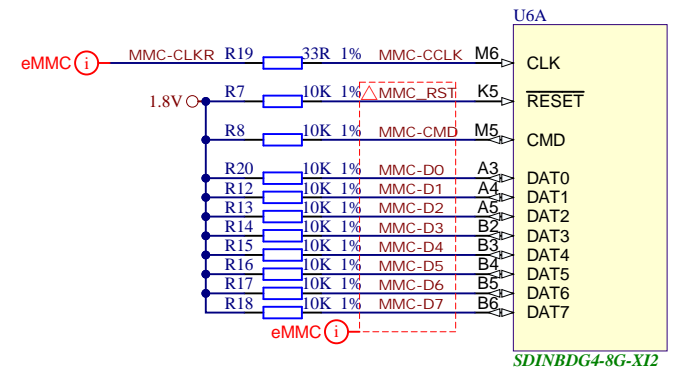
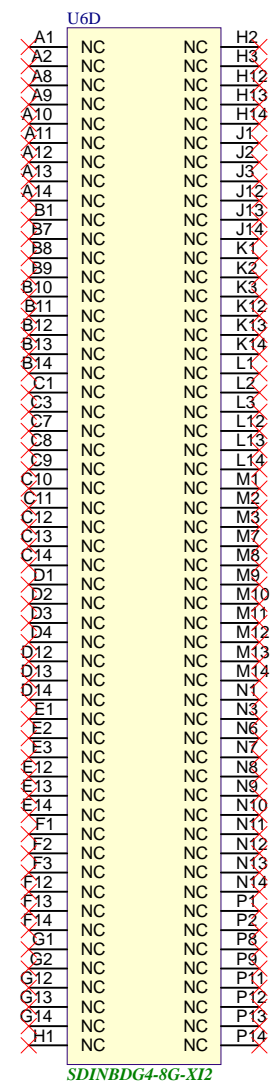

D



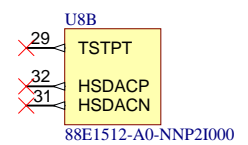
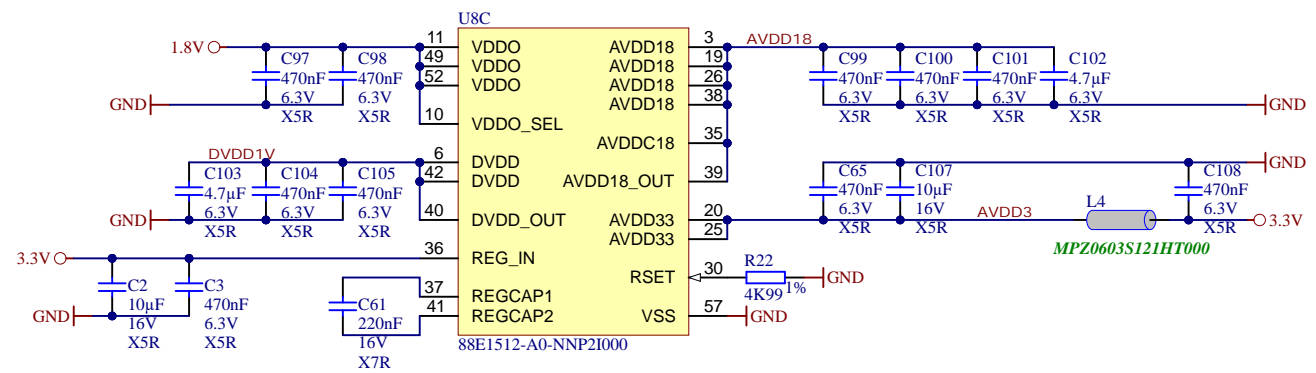
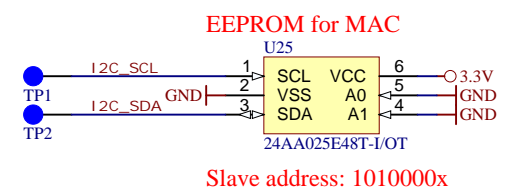
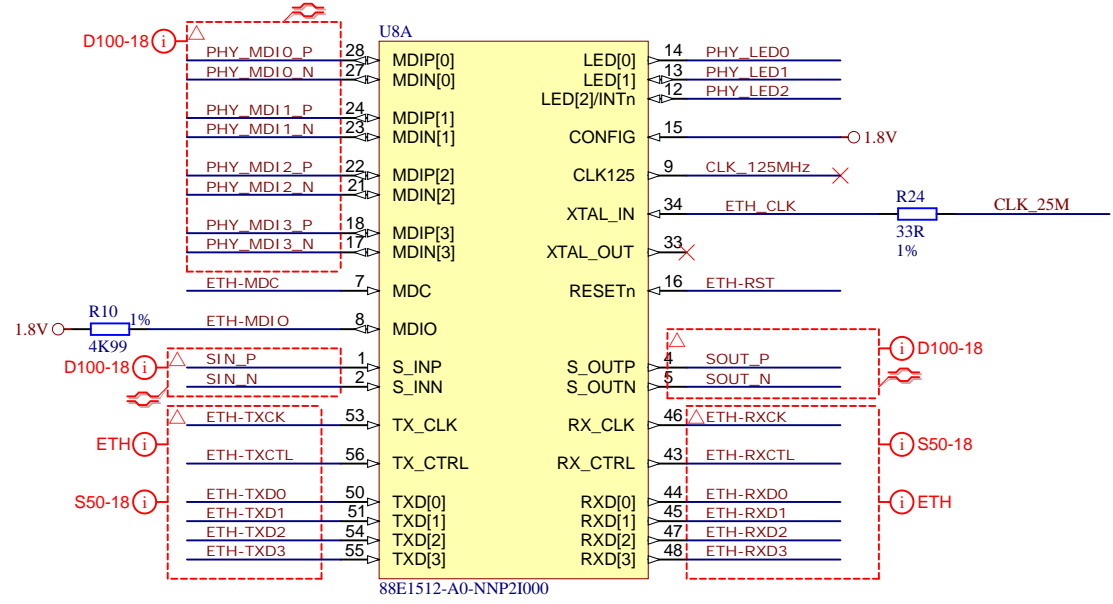
Title: Module TE0821 - DDR4 RAM1		
A4	Number: TE0821 3BI21ML	Rev. 01
Date: 20.02.2019	Copyright: Trenz Electronic GmbH / TT	Page 17 of 24
Filename: DDR4-RAM.SchDoc		

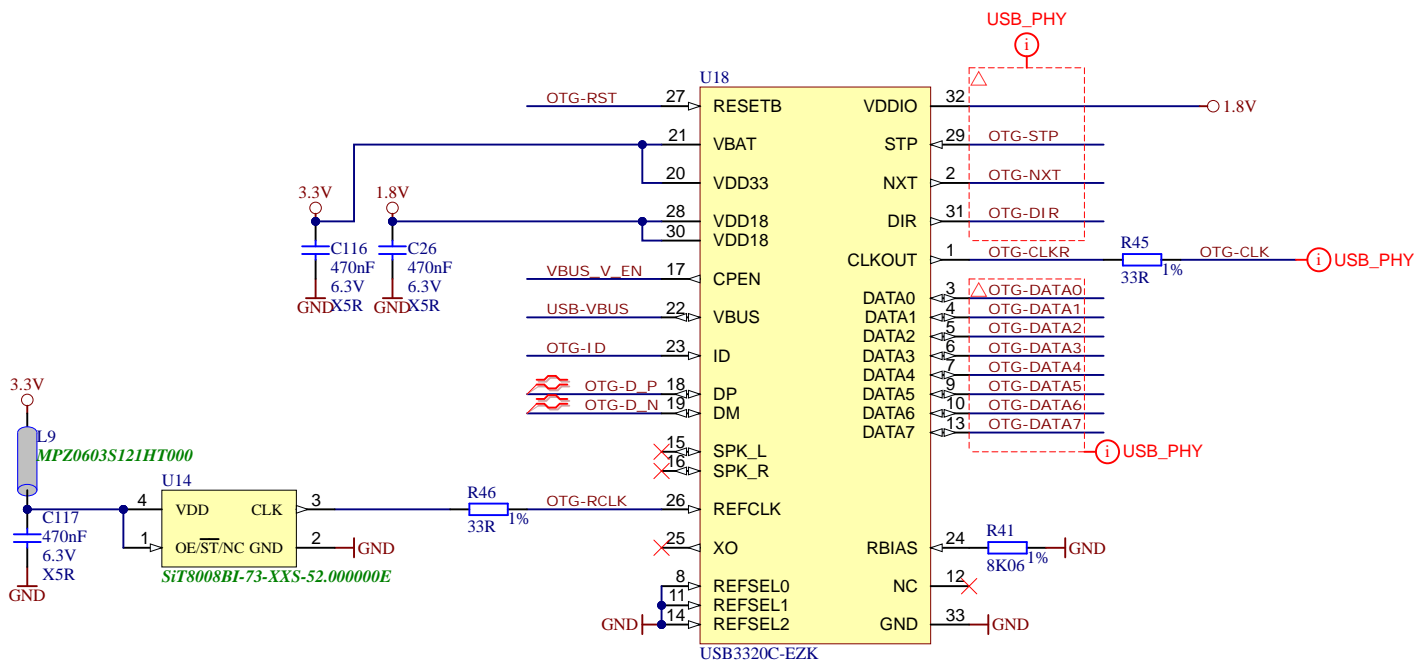
Title: Module TE0821 - DDR4 RAM2		
A4	Number: TE0821 3BI21ML	Rev. 01
Date: 20.02.2019	Copyright: Trenz Electronic GmbH / TT	Page 18 of 24
Filename: DDR4-RAM_2.SchDoc		





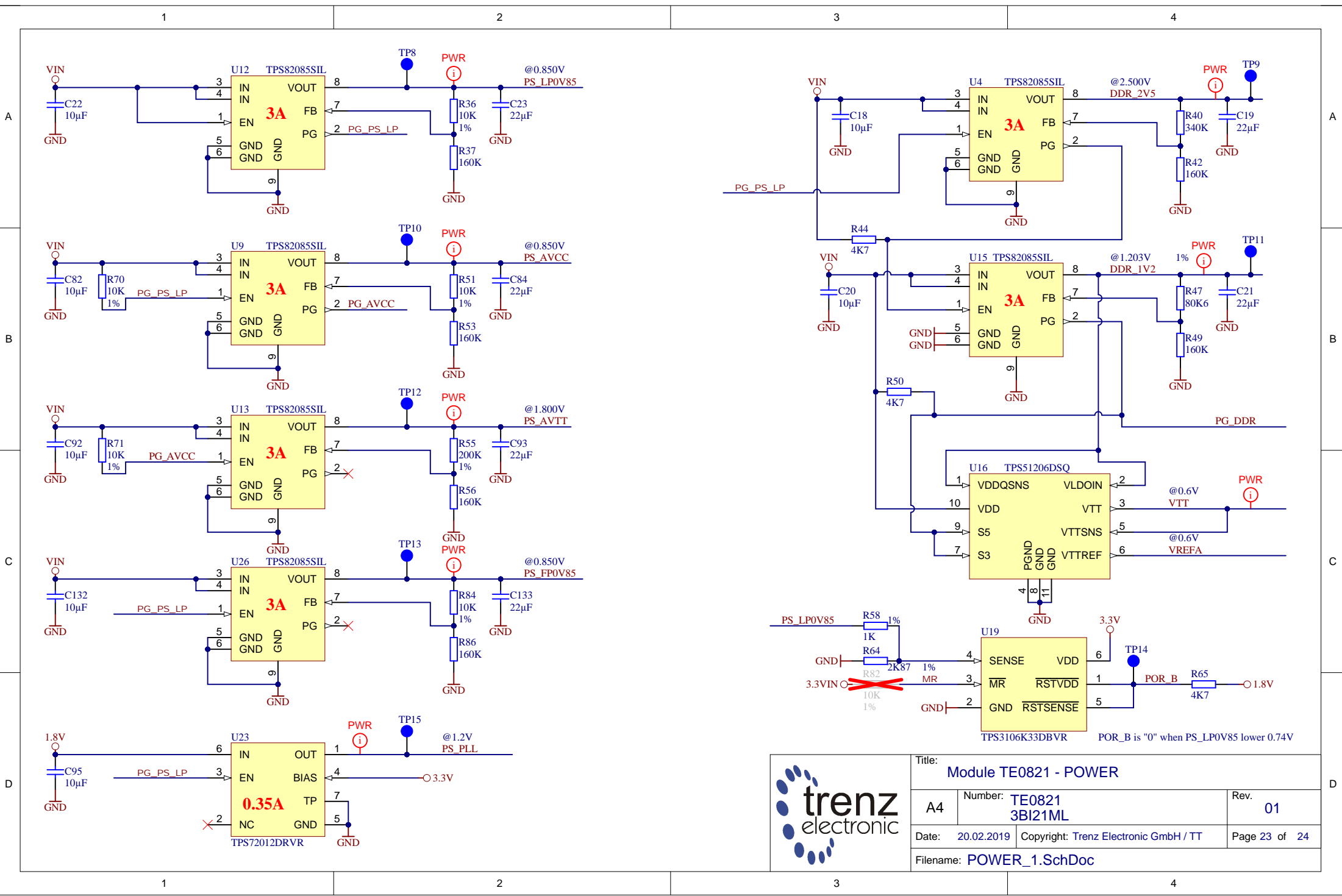
Title: Module TE0821 - eMMC		
A4	Number: TE0821 3BI21ML	Rev. 01
Date: 20.02.2019	Copyright: Trenz Electronic GmbH / TT	Page 19 of 24
Filename: eMMC.SchDoc		



Title: Module TE0821 - Ethernet PHY		
A4	Number: TE0821 3BI21ML	Rev. 01
Date: 20.02.2019	Copyright: 2015 Trenz Electronic GmbH	Page 20 of 24
Filename: ETH-PHY.SchDoc		



			Title: Module TE0821 - USB PHY	
			A4	Number: TE0821 3BI21ML
Date: 20.02.2019		Copyright: 2015 Trenz Electronic GmbH		Page 21 of 24
Filename: USB-PHY.SchDoc				



Title: Module TE0821 - POWER		
A4	Number: TE0821 3BI21ML	Rev. 01
Date: 20.02.2019	Copyright: Trenz Electronic GmbH / TT	
Filename: POWER_1.SchDoc		Page 23 of 24

1

2

3

4

Revision 01a (01.07.2020):

1. VY: R38 value was changed to 20K (was: 40K2) to set VCU 0.9V

Revision 01b (29.10.2020):

1. VY: Updated Block diagram

(07.02.2024):

2. OT: R82 set to not fitted

A

A

B


B

C

C

D

D

	Title: Module TE0821 - Revision Changes		
	A4	Number: TE0821 3BI21ML	Rev. 01
	Date: 20.02.2019	Copyright: Trenz Electronic GmbH / TT	Page 24 of 24
	Filename: Revision Changes.SchDoc		

1

2

3

4