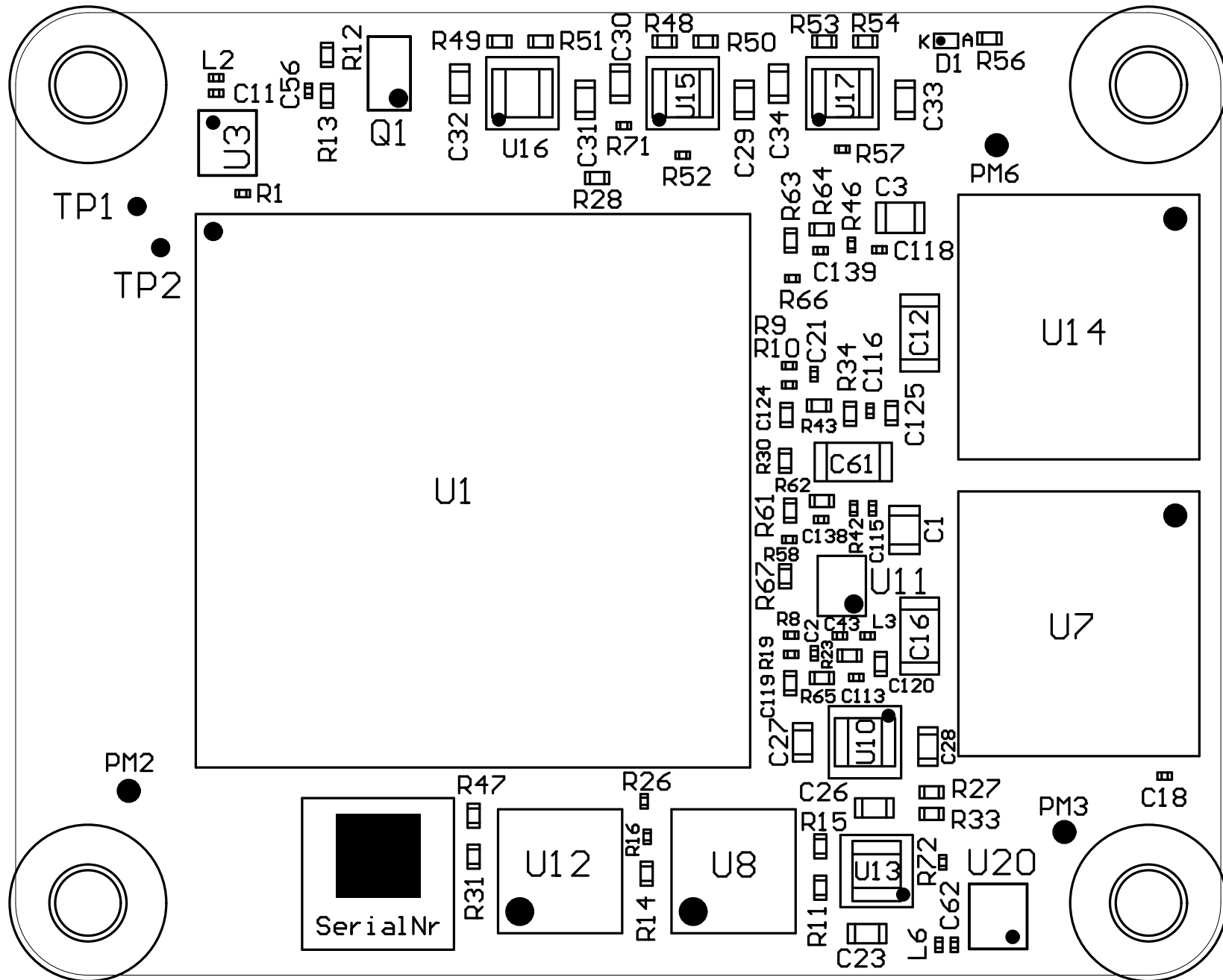


Variant name: TE0841-02-31121-A

Top View



Variant name: TE0841-02-31I21-A

Bottom View

