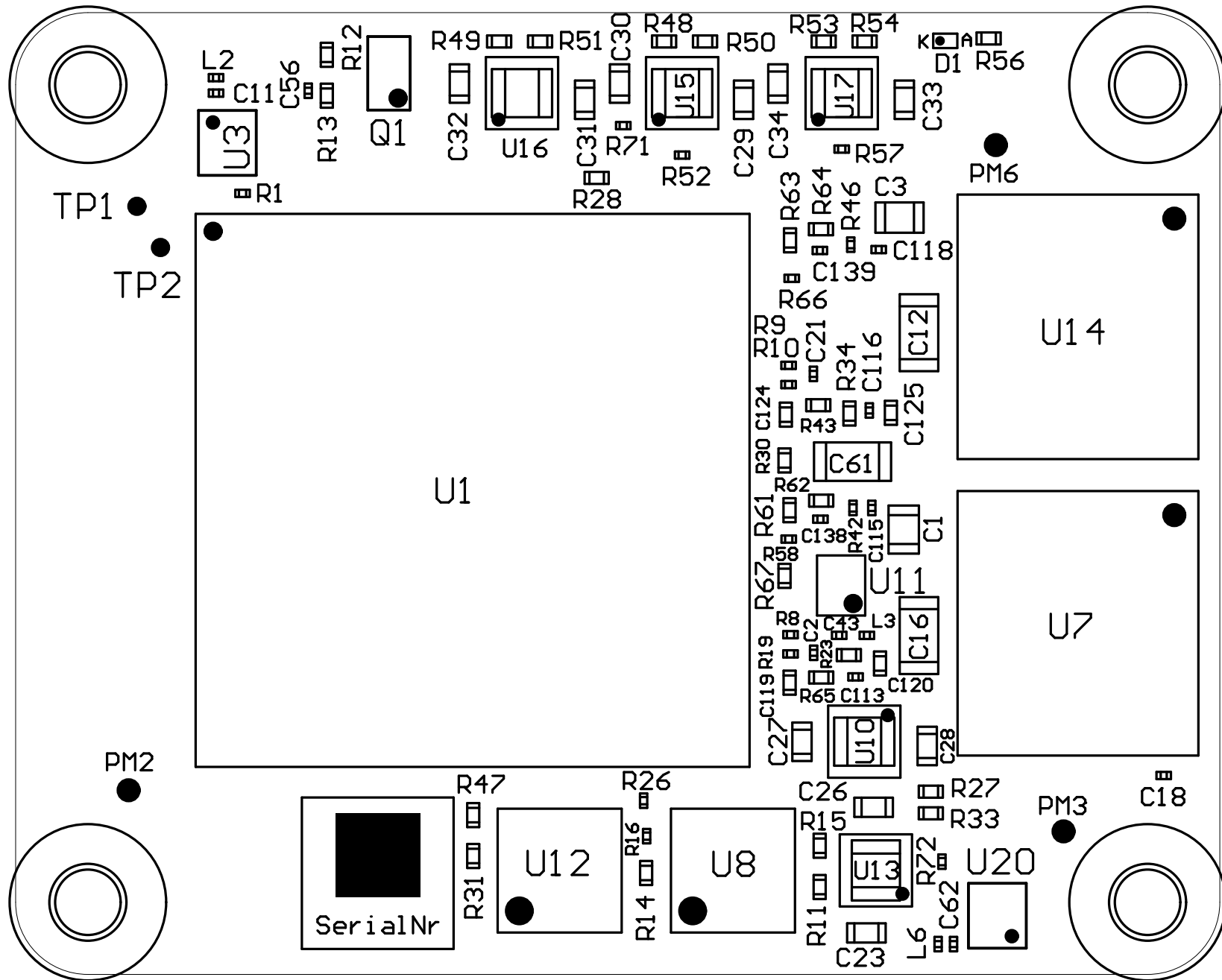


Variant name: TE0841-02-41C21-A

Top View



Variant name: TE0841-02-41C21-A

Bottom View

