

U\_FPGA-MGT  
FPGA-MGT.SchDoc

U\_FPGA-MISC  
FPGA-MISC.SchDoc

U\_FPGA-PWR  
FPGA-PWR.SchDoc

U\_FPGA-B44  
FPGA-B44.SchDoc

U\_FPGA-B45  
FPGA-B45.SchDoc

U\_FPGA-B46  
FPGA-B46.SchDoc

U\_FPGA-B47  
FPGA-B47.SchDoc

U\_FPGA-B64  
FPGA-B64.SchDoc

U\_FPGA-B65  
FPGA-B65.SchDoc

U\_FPGA-B66  
FPGA-B66.SchDoc

U\_FPGA-B67  
FPGA-B67.SchDoc

U\_FPGA-B68  
FPGA-B68.SchDoc

U\_DDR4-RAM  
DDR4-RAM.SchDoc

U\_DDR4-RAM\_2  
DDR4-RAM\_2.SchDoc

U\_B2B-Connectors  
B2B-Connectors.SchDoc

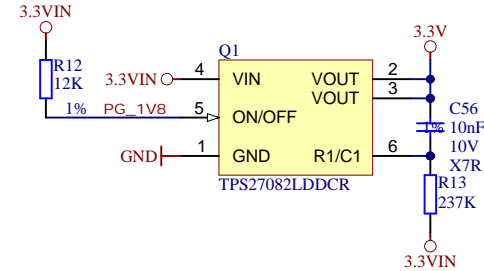
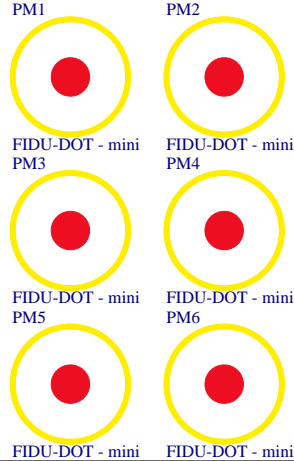
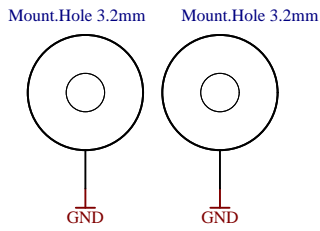
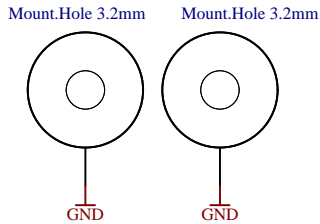
U\_CPLD  
CPLD.SchDoc

U\_Clock  
Clock.SchDoc

U\_PWR1  
PWR1.SchDoc

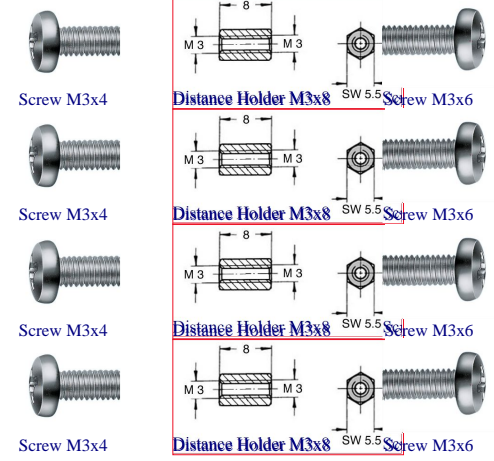
U\_PWR2  
PWR2.SchDoc

U\_POWER\_2  
POWER\_2.SchDoc



Serial  
Serialnumber 6,3 x 6.3mm

Top of Board



Assembly variant	31121-A
Created by	VY
Modified by	VY
Modified at	2019-07-10
SVN Revision	8580



Title: TE0841		
A4	Number: TE0841 31121-A	Rev. 02
Date: 2018-03-14	Copyright: Trenz Electronic GmbH / TT	Page1 of 21
Filename: TE0841.SchDoc		

1

2

3

4

B64 HR 48 IO, 24 LVDS Pairs  
 B65 HR 8 IO, 3.3V  
 MGT 3 Lanes

B66 16 HP IO, 8 LVDS Pairs  
 MGT 4 + 1 Lanes  
 B65 4 IO, 3.3V

B68 HP 18 IO, 9 LVDS Pairs  
 B67 HP 48 IO, 24 LVDS Pairs  
 B67 HP 2 IO

A

A

B

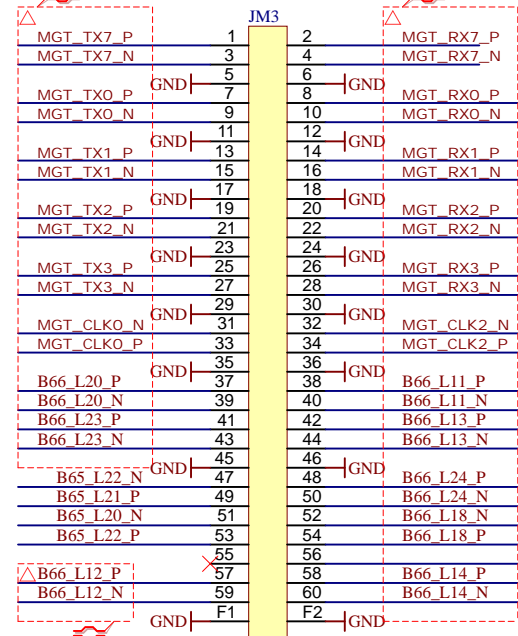
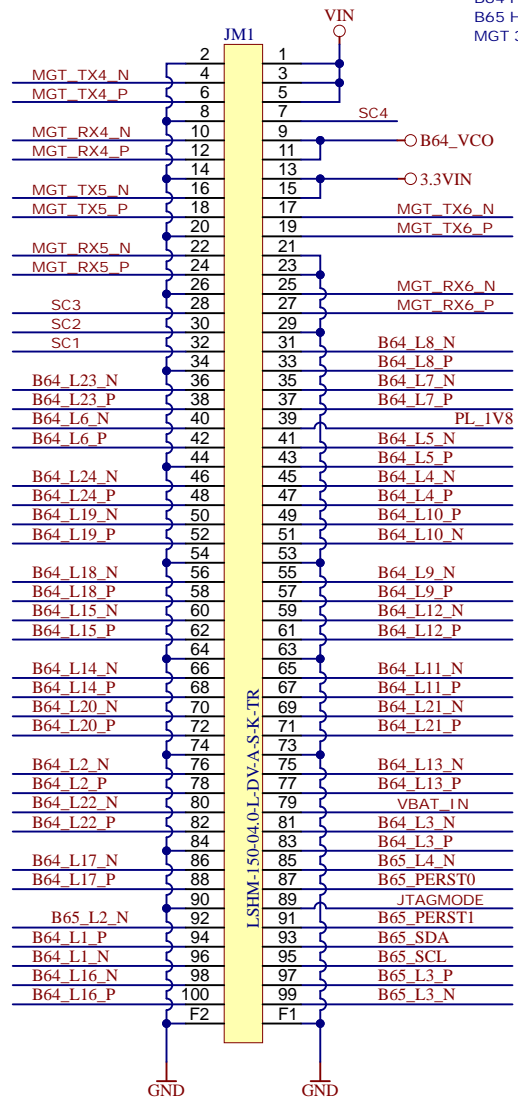
B

C

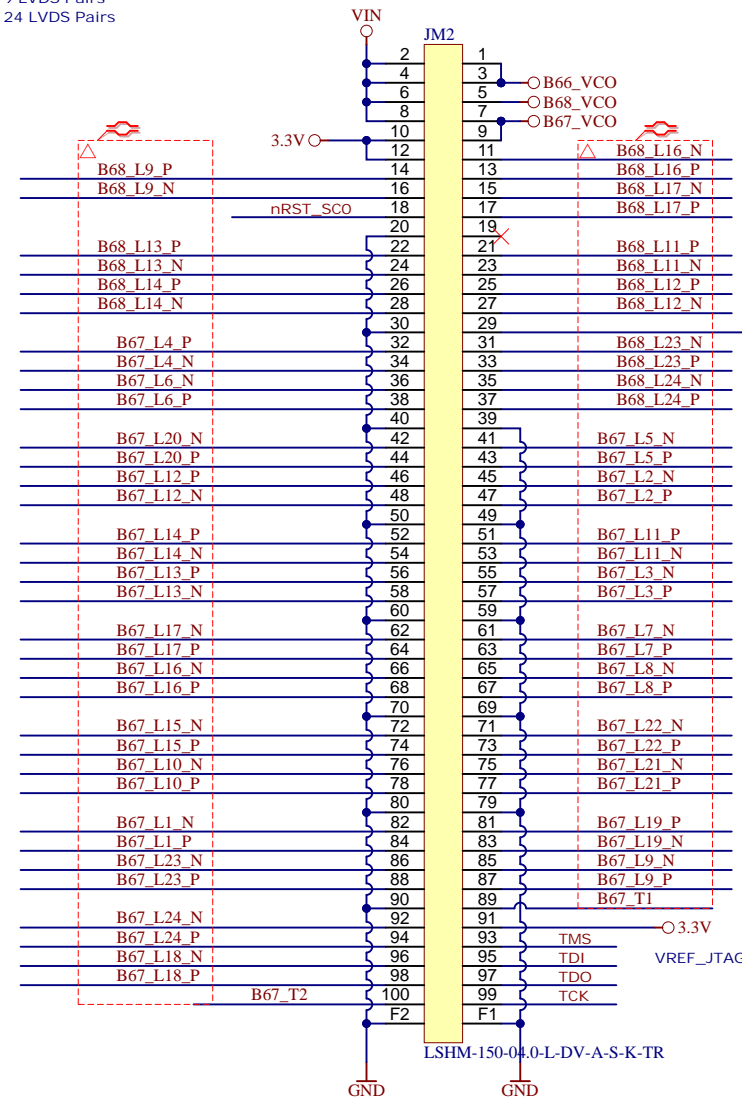
C

D

D



LSHM-130-04-0-L-DV-A-S-K-TR



LSHM-150-04-0-L-DV-A-S-K-TR



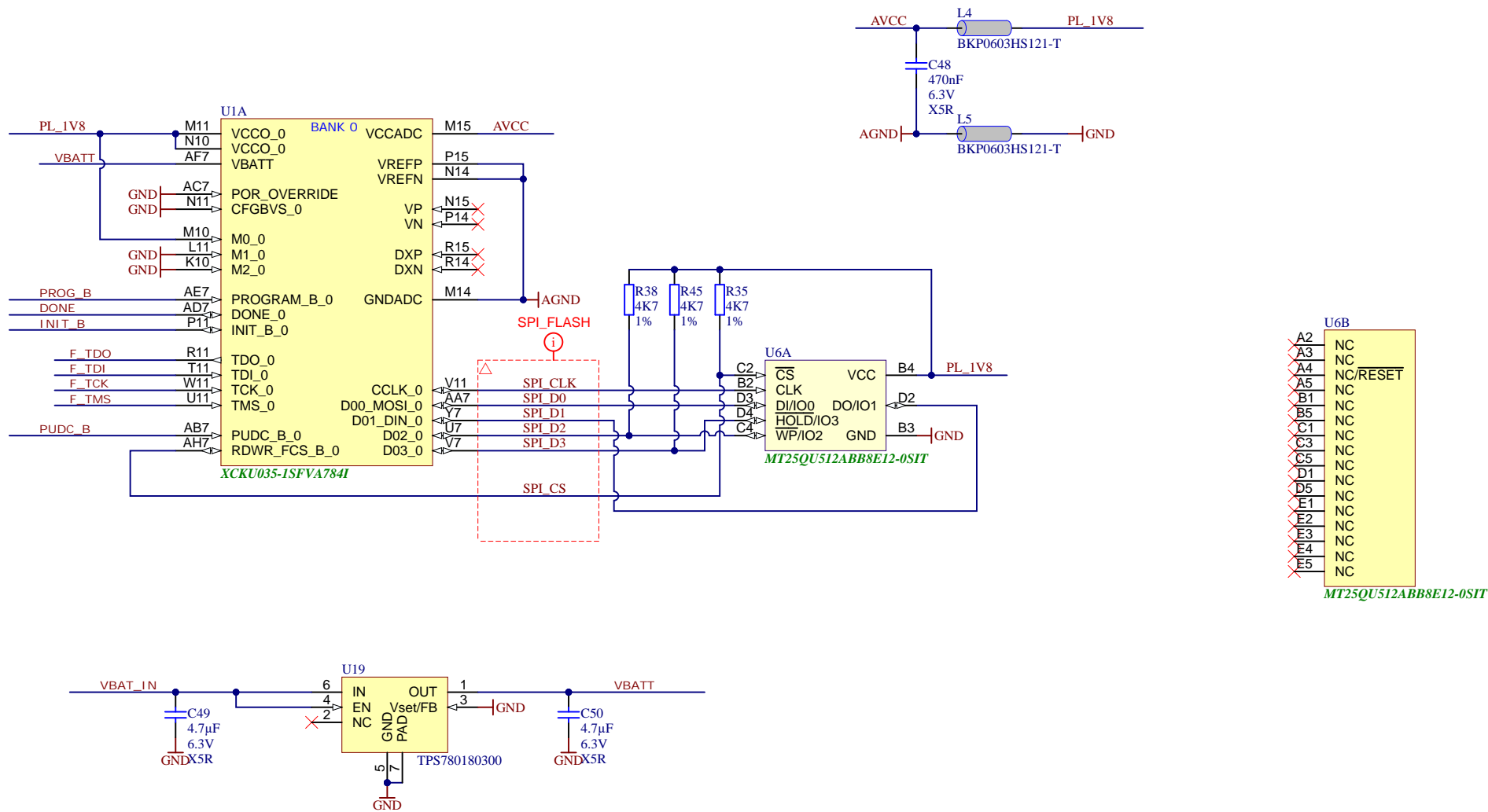
Title: TE0841		
A4	Number: TE0841 31121-A	Rev. 02
Date: 2018-03-14	Copyright: Trenz Electronic GmbH / TT	Page2 of 21
Filename: B2B-Connectors.SchDoc		

1

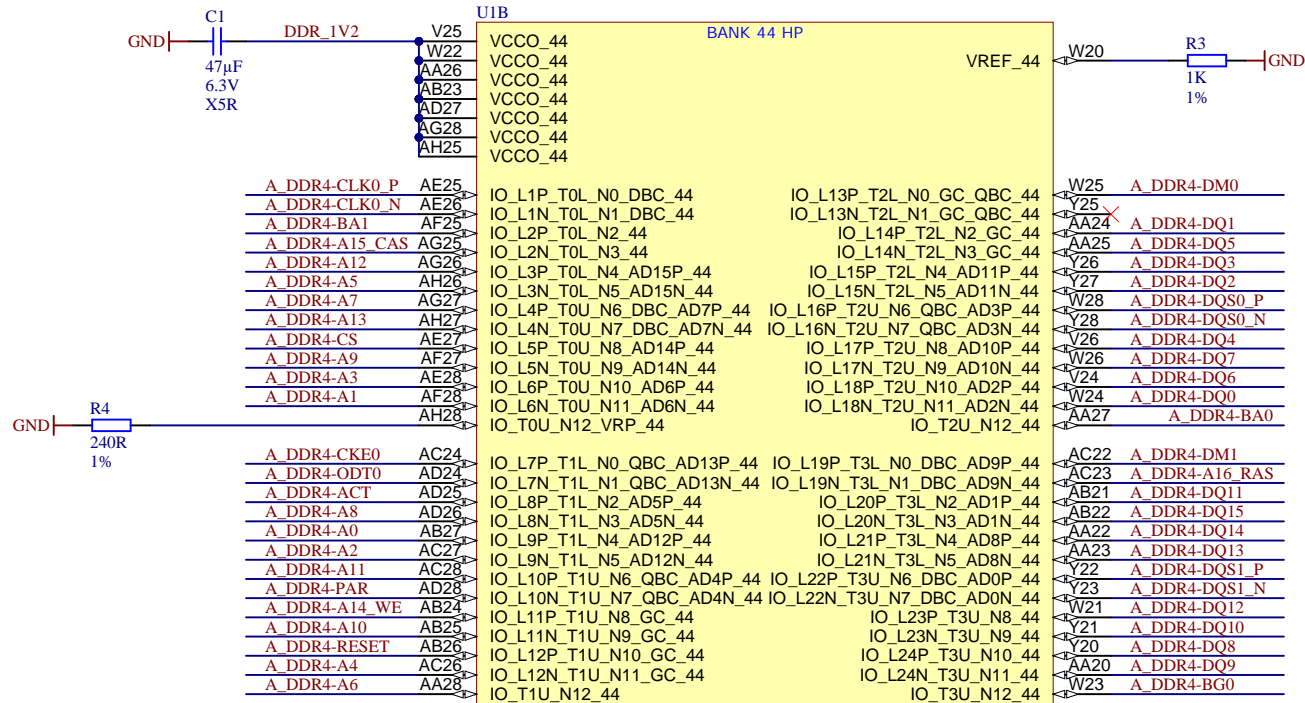
2

3

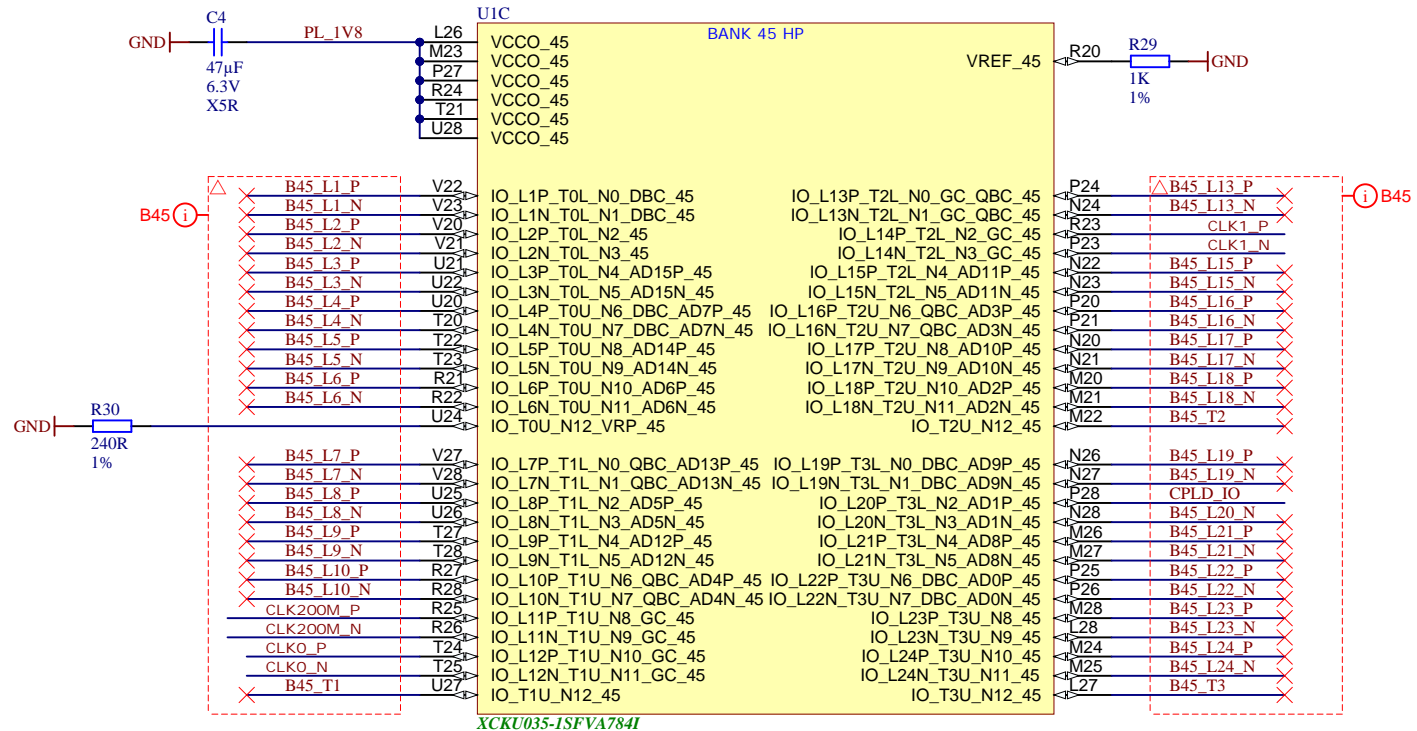
4



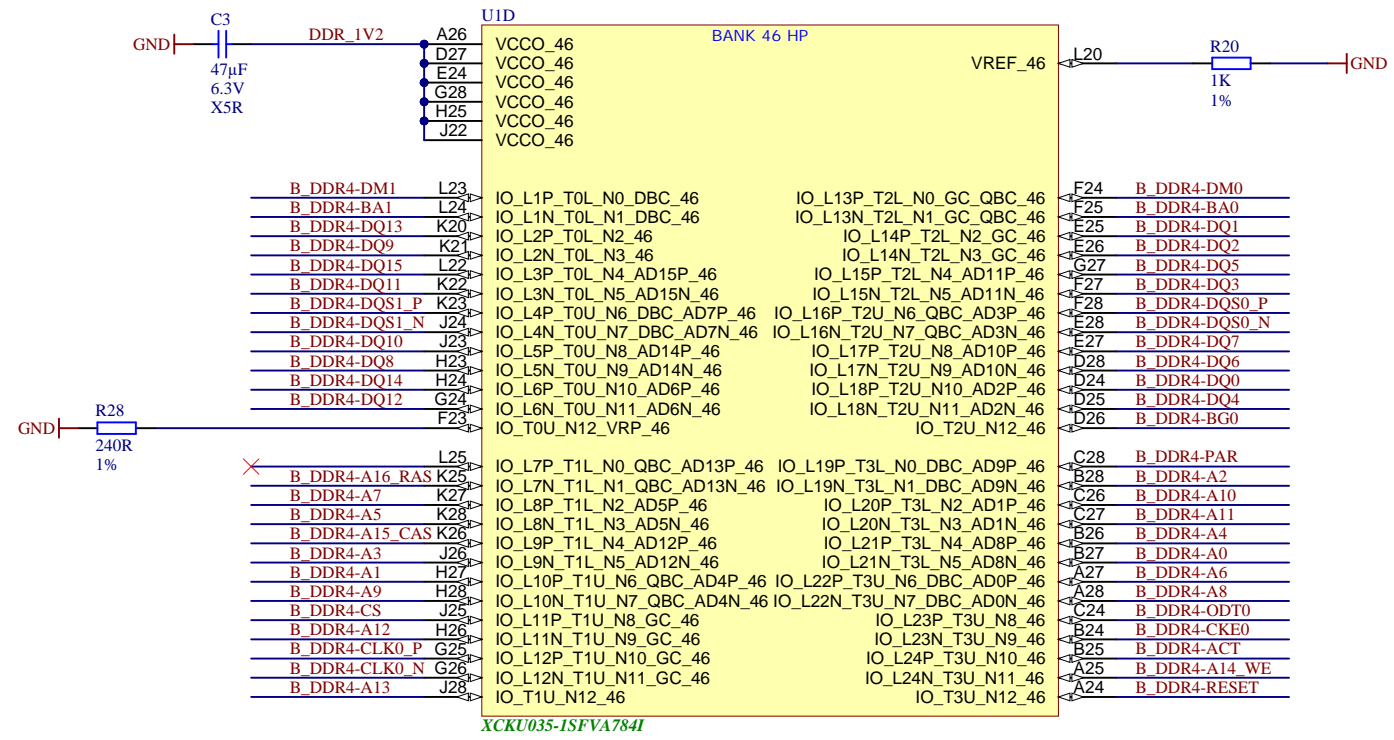

	Title: <b>TE0841</b>		
	A4	Number: <b>TE0841 31I21-A</b>	Rev. <b>02</b>
	Date: <b>2018-03-14</b>	Copyright: <b>Trenz Electronic GmbH / TT</b>	Page <b>3</b> of <b>21</b>
	Filename: <b>FPGA-MISC.SchDoc</b>		



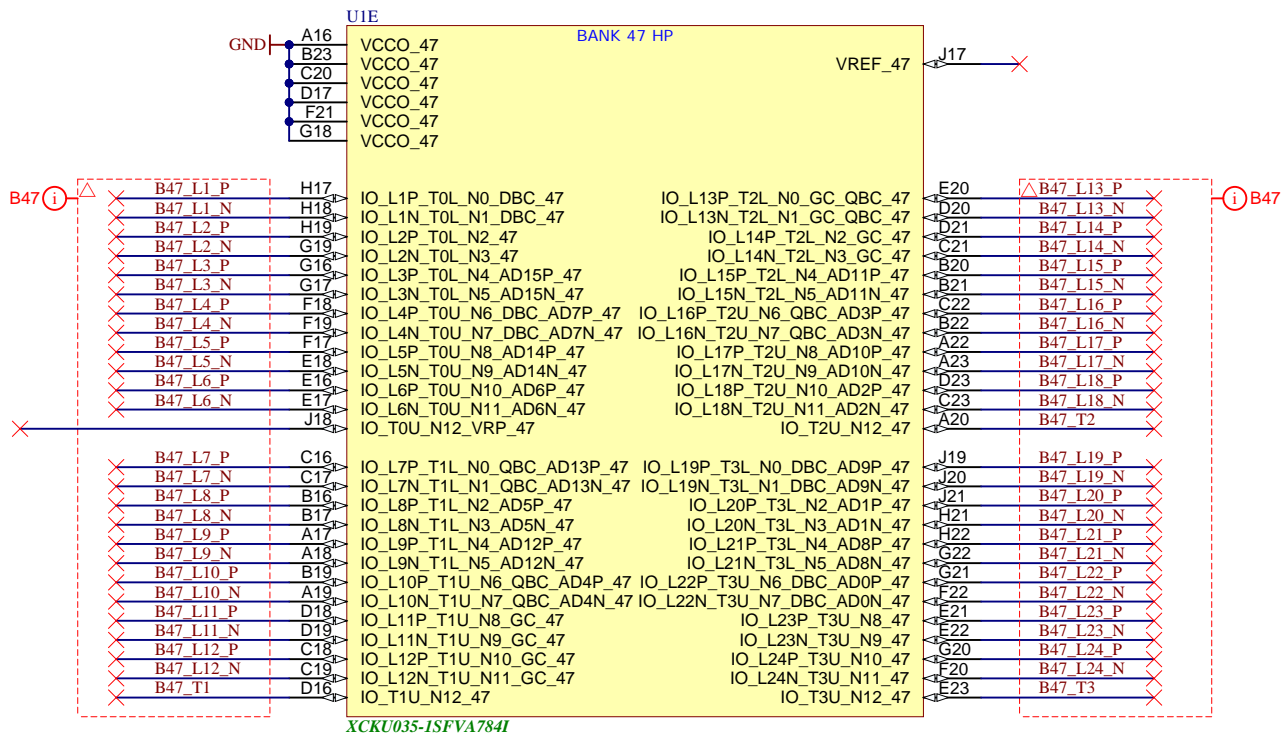
Title: TE0841			
A4	Number: TE0841 31I21-A	Rev. 02	
Date: 2018-03-14	Copyright: Trenz Electronic GmbH / TT		Page4 of 21
Filename: FPGA-B44.SchDoc			



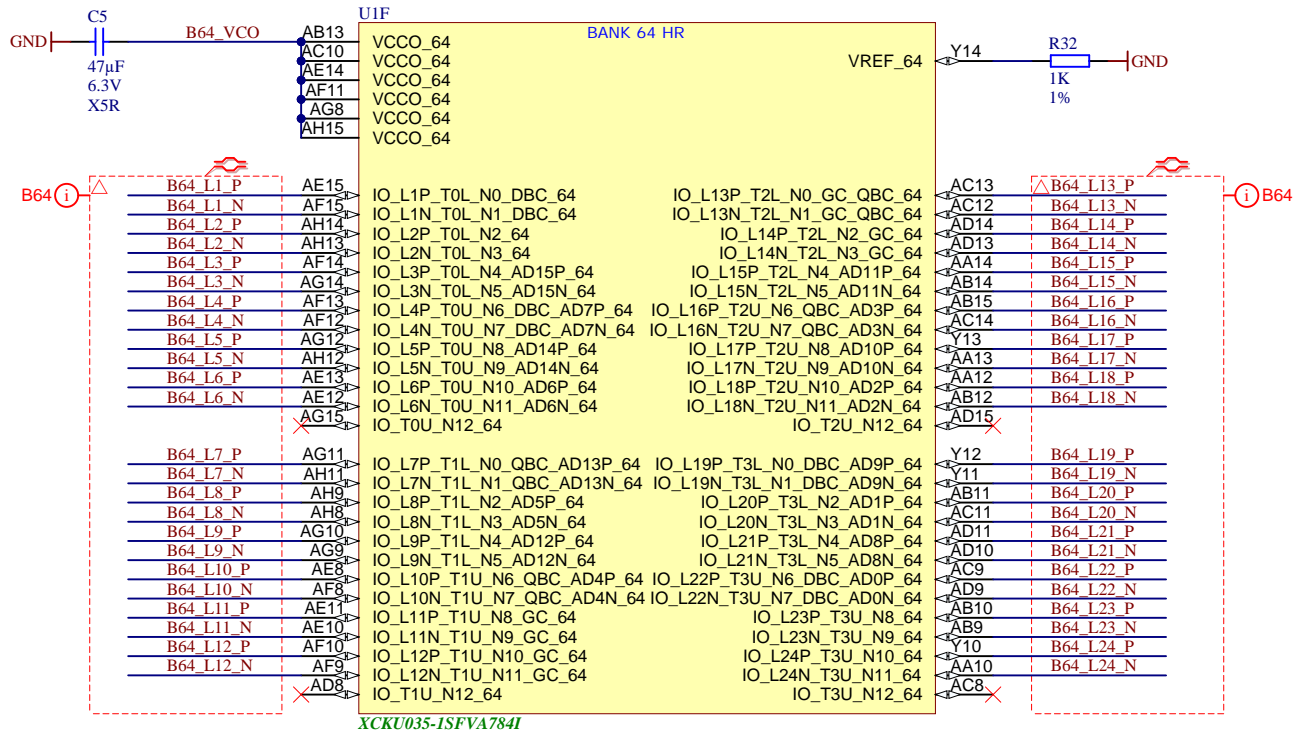
Title: TE0841		
A4	Number: TE0841 31I21-A	Rev. 02
Date: 2018-03-14	Copyright: Trenz Electronic GmbH / TT	Page5 of 21
Filename: FPGA-B45.SchDoc		

Title: <b>TE0841</b>		
A4	Number: <b>TE0841 31121-A</b>	Rev. <b>02</b>
Date: <b>2018-03-14</b>	Copyright: <b>Trenz Electronic GmbH / TT</b>	Page <b>6</b> of <b>21</b>
Filename: <b>FPGA-B46.SchDoc</b>		

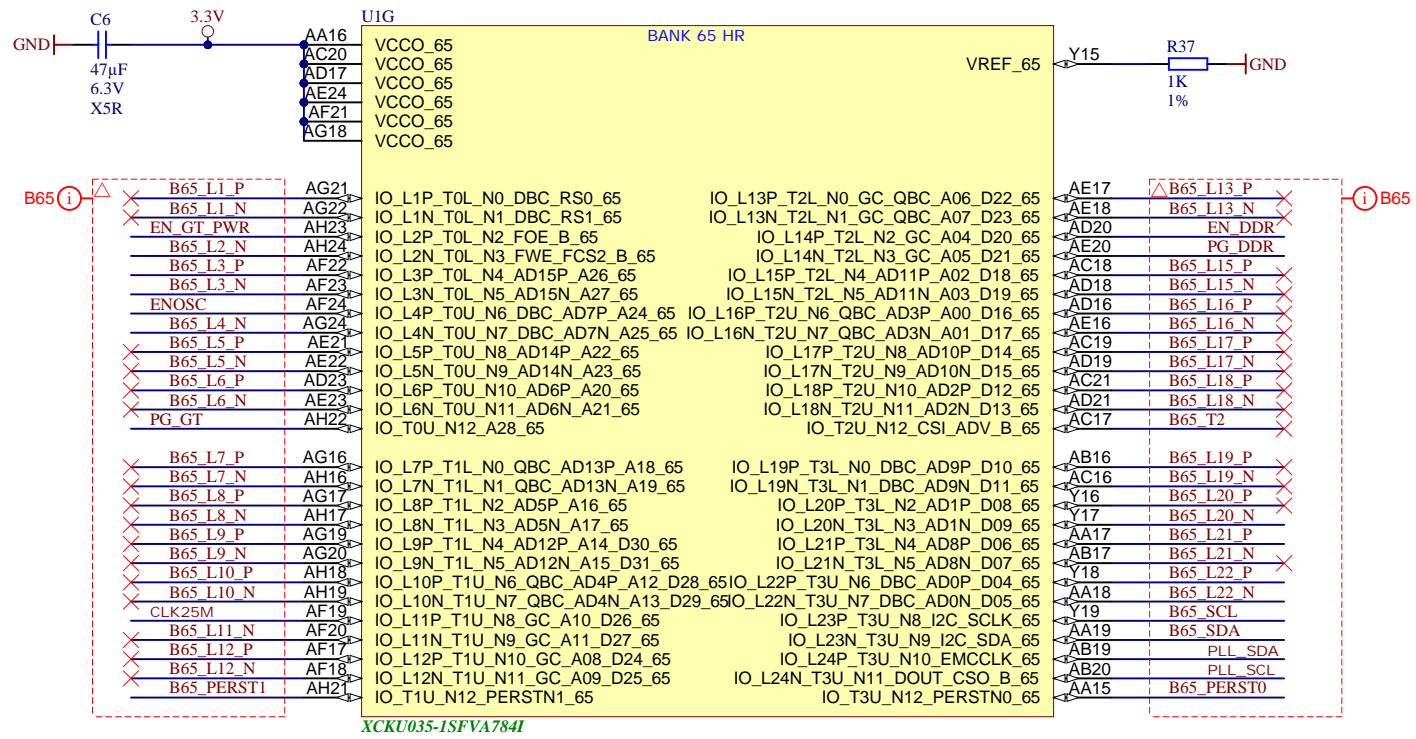


Title: TE0841		
A4	Number: TE0841 31I21-A	Rev. 02
Date: 2018-03-14	Copyright: Trenz Electronic GmbH / TT	Page 7 of 21
Filename: FPGA-B47.SchDoc		

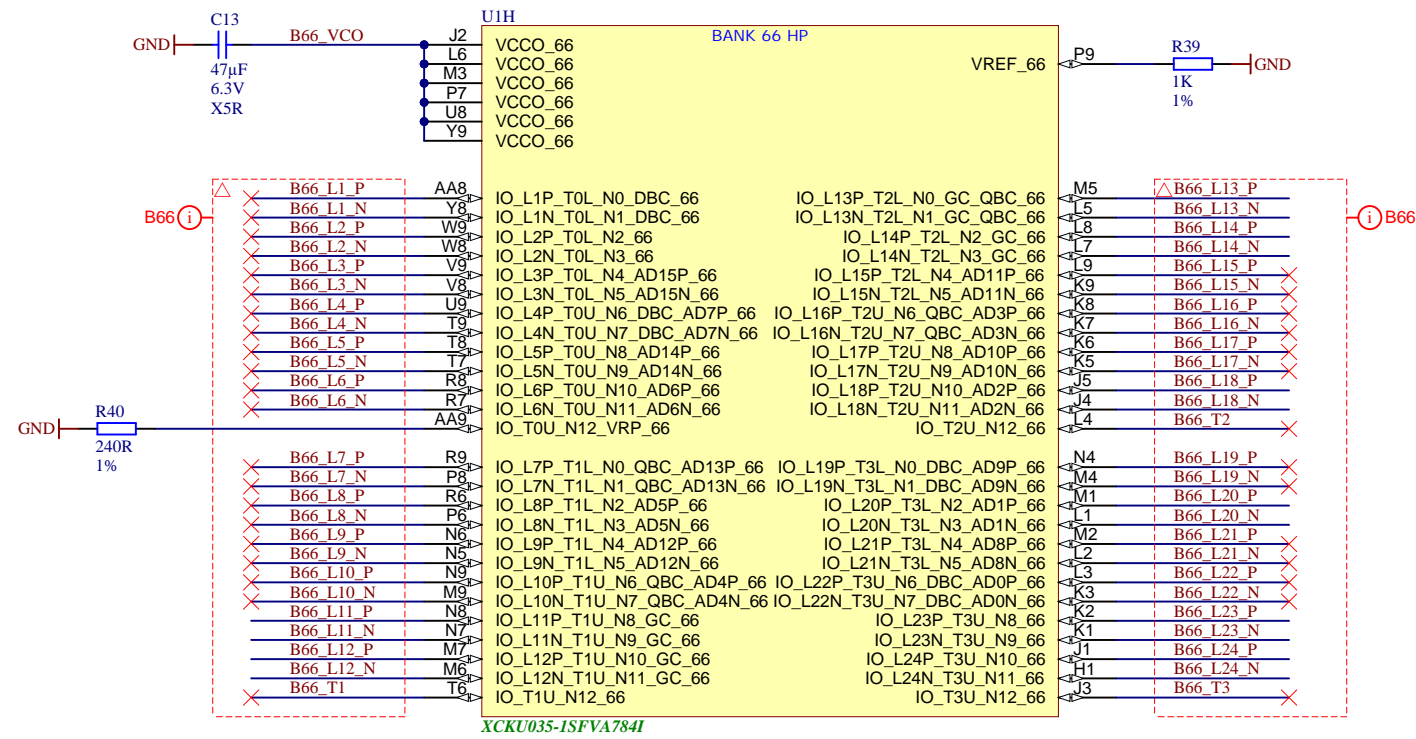


Title: <b>TE0841</b>			
A4	Number: <b>TE0841 31I21-A</b>	Rev. <b>02</b>	
Date: <b>2018-03-14</b>	Copyright: <b>Trenz Electronic GmbH / TT</b>	Page <b>8</b> of <b>21</b>	
Filename: <b>FPGA-B64.SchDoc</b>			

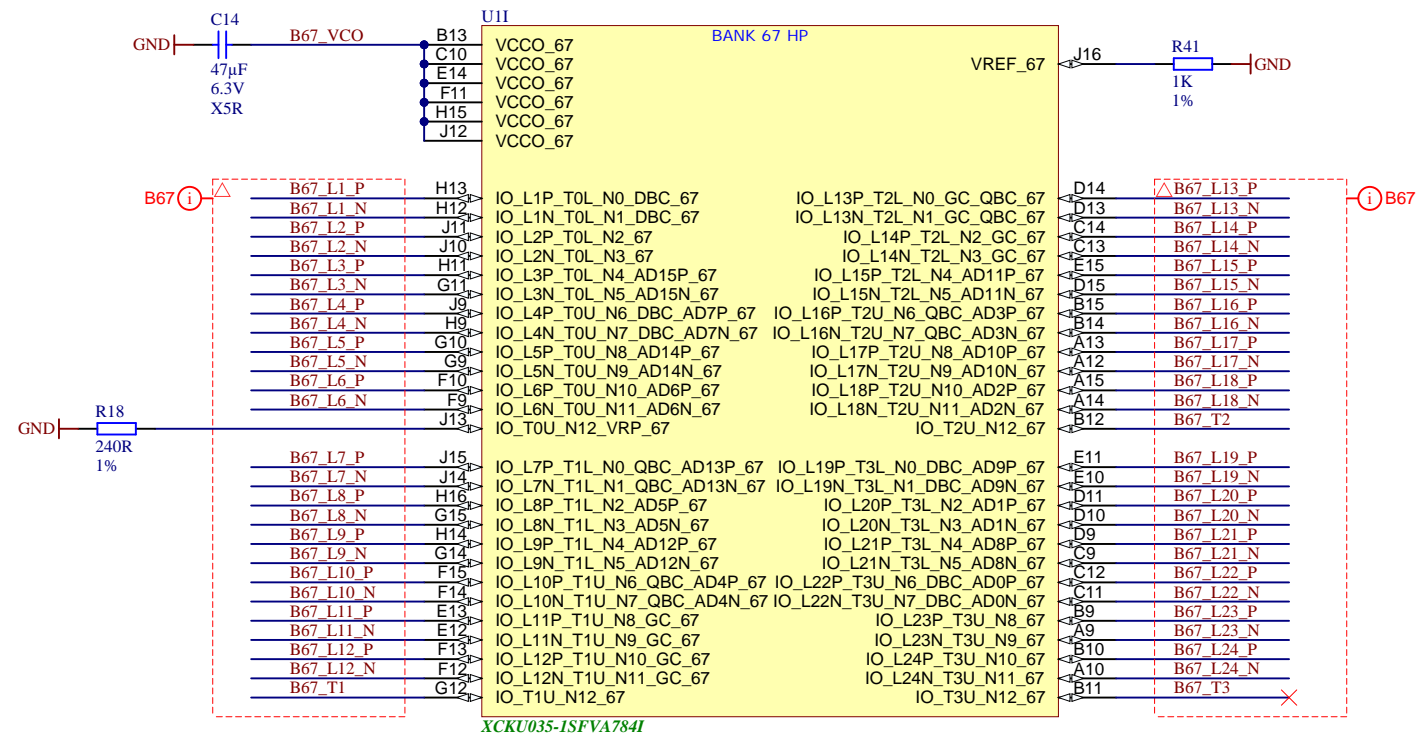




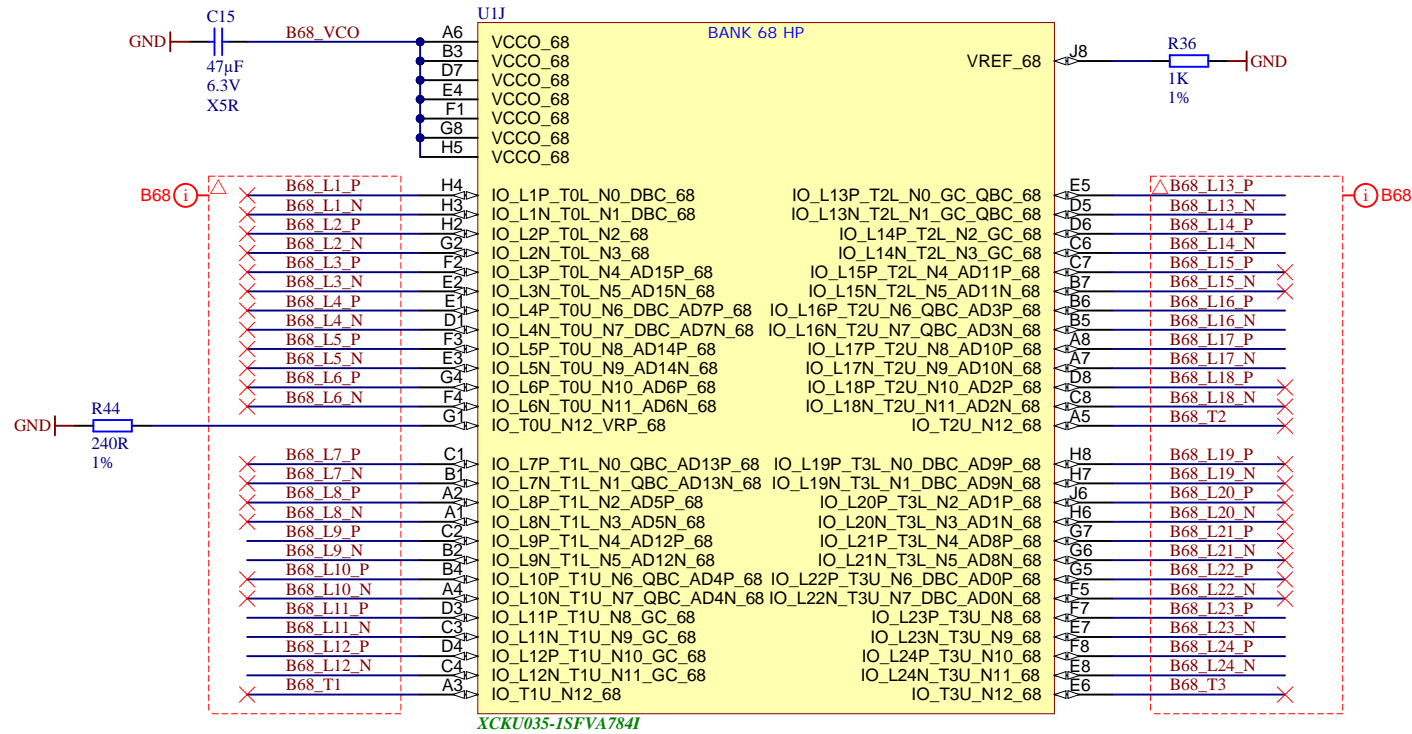
Title: TE0841		
A4	Number: TE0841 31121-A	Rev. 02
Date: 2018-03-14	Copyright: Trenz Electronic GmbH / TT	Page9 of 21
Filename: FPGA-B65.SchDoc		



Title: <b>TE0841</b>		
A4	Number: <b>TE0841 31I21-A</b>	Rev. <b>02</b>
Date: <b>2018-03-14</b>	Copyright: <b>Trenz Electronic GmbH / TT</b>	Page <b>10</b> of <b>21</b>
Filename: <b>FPGA-B66.SchDoc</b>		

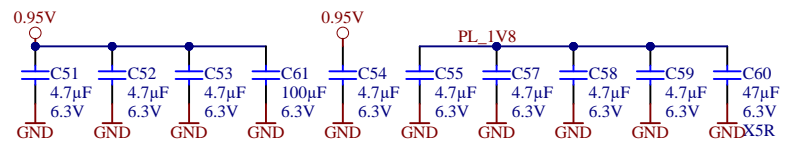
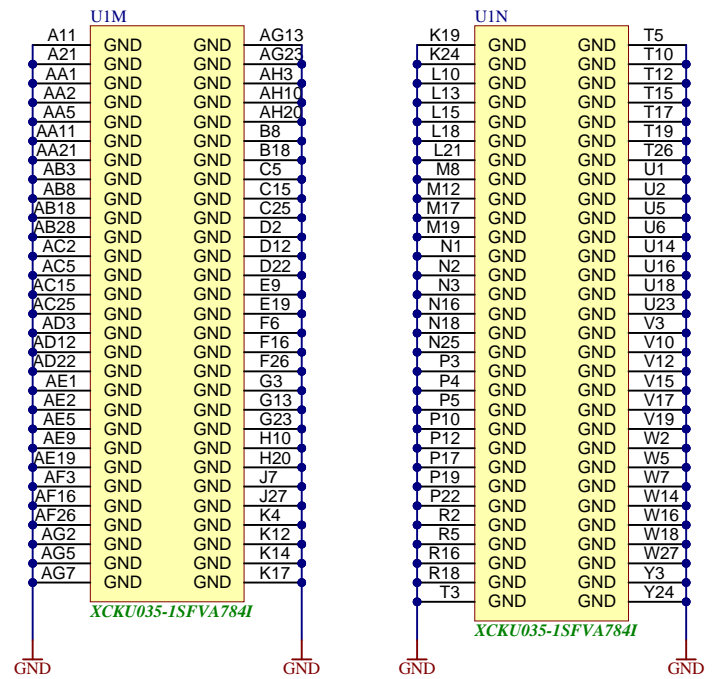
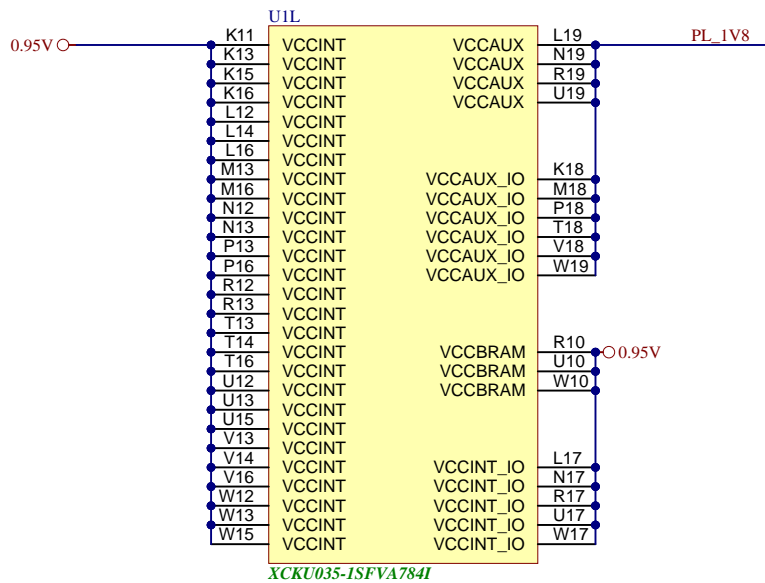


Title: TE0841		
A4	Number: TE0841 31I21-A	Rev. 02
Date: 2018-03-14	Copyright: Trenz Electronic GmbH / TT	Page 11 of 21
Filename: FPGA-B67.SchDoc		

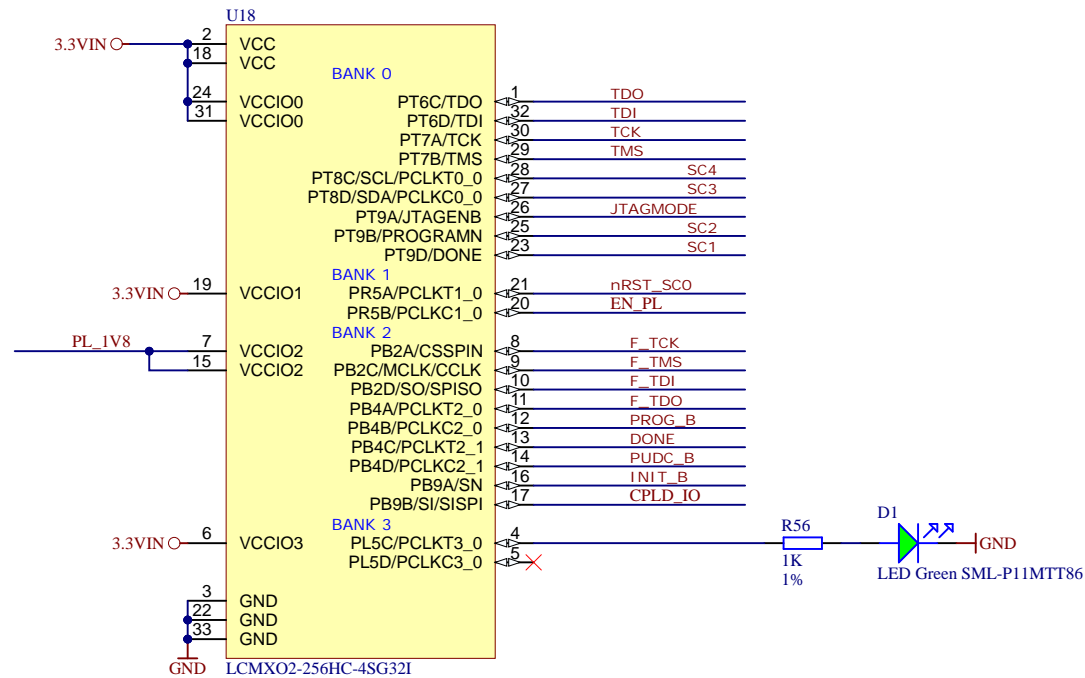


Title: <b>TE0841</b>			
A4	Number: <b>TE0841 31I21-A</b>	Rev. <b>02</b>	
Date: <b>2018-03-14</b>	Copyright: <b>Trenz Electronic GmbH / TT</b>		Page <b>12</b> of <b>21</b>
Filename: <b>FPGA-B68.SchDoc</b>			

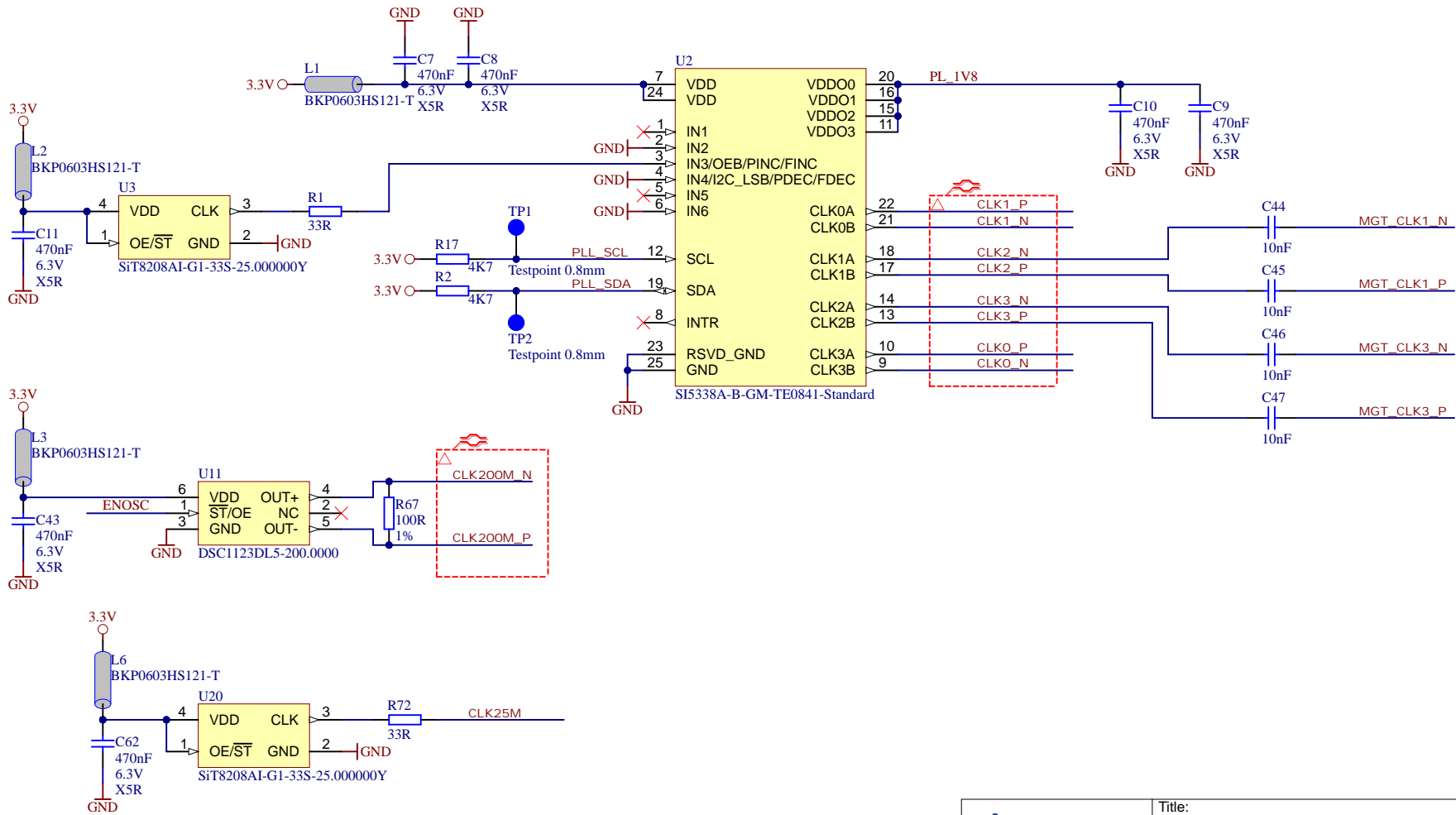





Title: TE0841		
A4	Number: TE0841 31I21-A	Rev. 02
Date: 2018-03-14	Copyright: Trenz Electronic GmbH / TT	Page 14 of 21
Filename: FPGA-PWR.SchDoc		



	Title: <b>TE0841</b>		
	A4	Number: <b>TE0841 31I21-A</b>	Rev. <b>02</b>
	Date: <b>2018-03-14</b>	Copyright: <b>Trenz Electronic GmbH / TT</b>	Page <b>15</b> of <b>21</b>
	Filename: <b>CPLD.SchDoc</b>		



		Title: TE0841	
		A4	Number: TE0841 31I21-A
Date: 2018-03-14		Copyright: Trenz Electronic GmbH / TT	
Filename: Clock.SchDoc		Page 16 of 21	



1

2

3

4

A

A

B

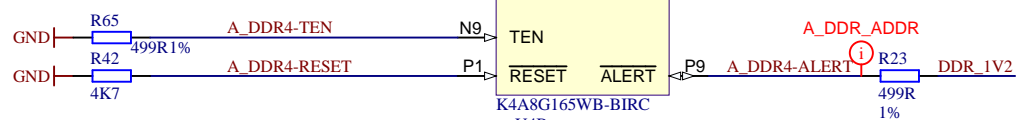
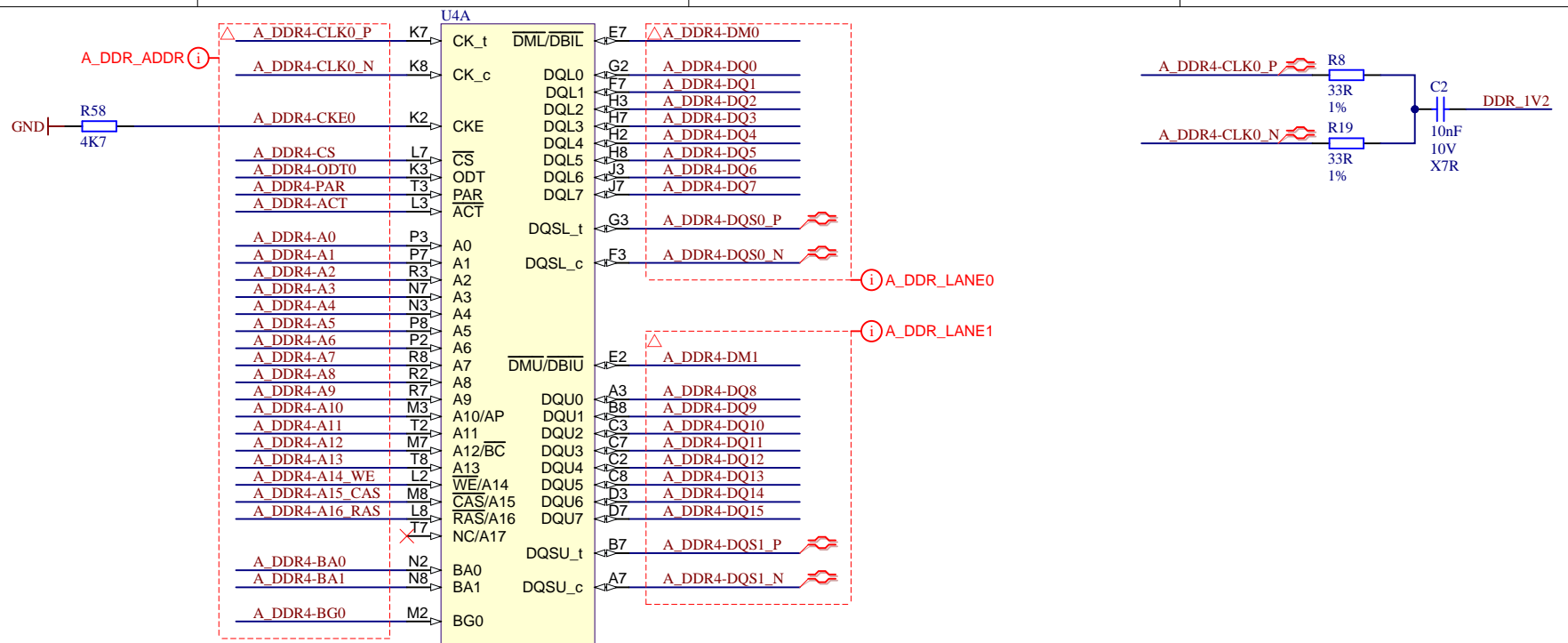
B

C

C

D

D



Title: TE0841		
A4	Number: TE0841 31I21-A	Rev. 02
Date: 2018-03-14	Copyright: Trenz Electronic GmbH / TT	Page 17 of 21
Filename: DDR4-RAM.SchDoc		

1

2

3

4

1

2

3

4

A

A

B

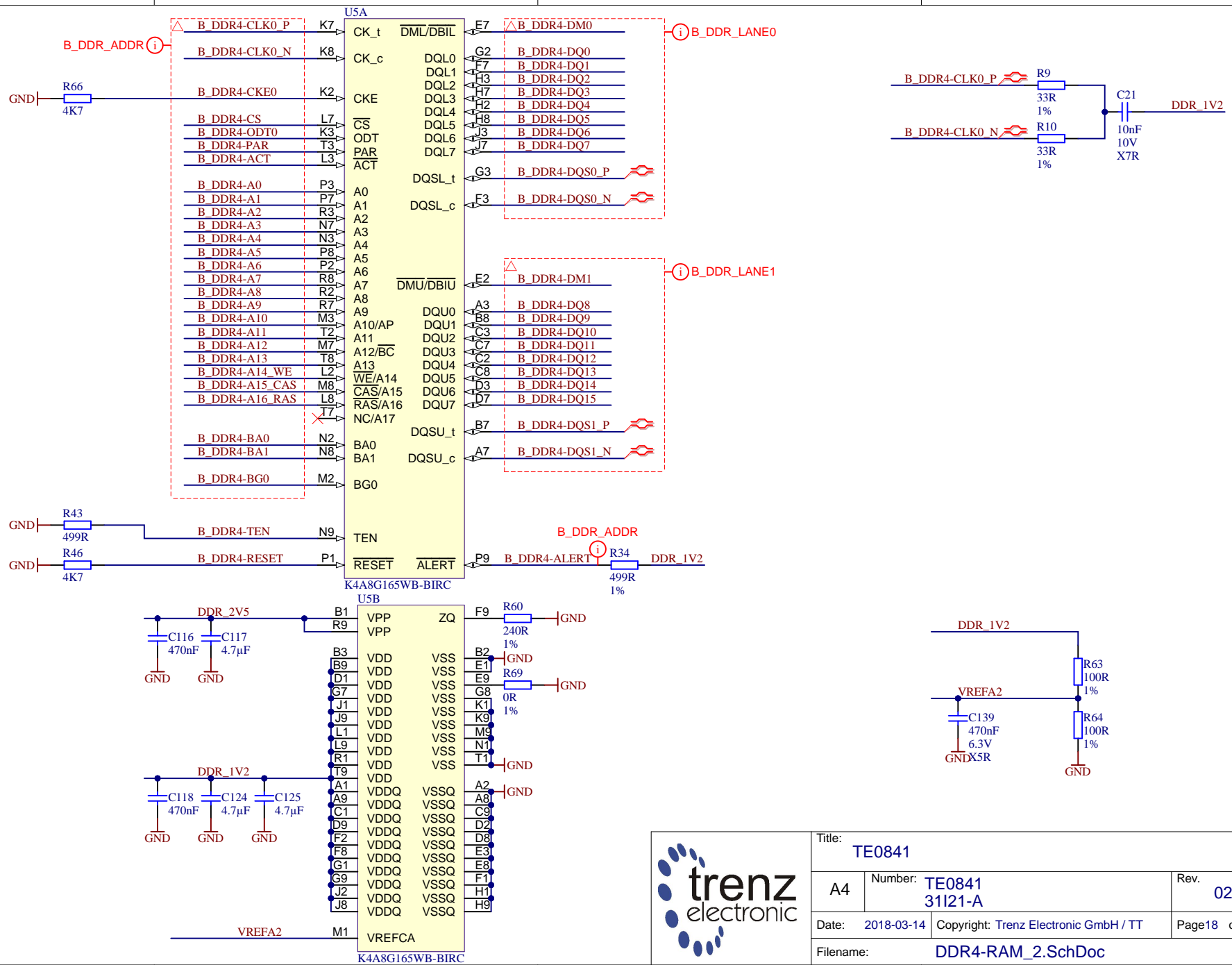
B

C

C

D

D



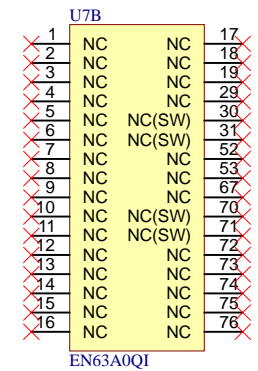
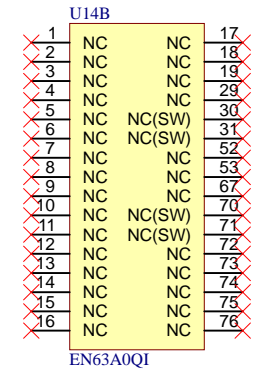
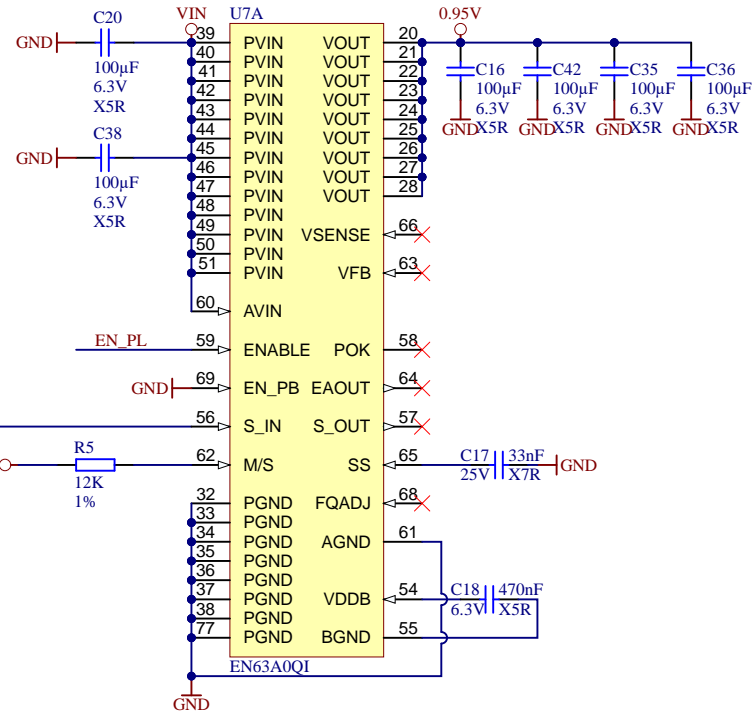
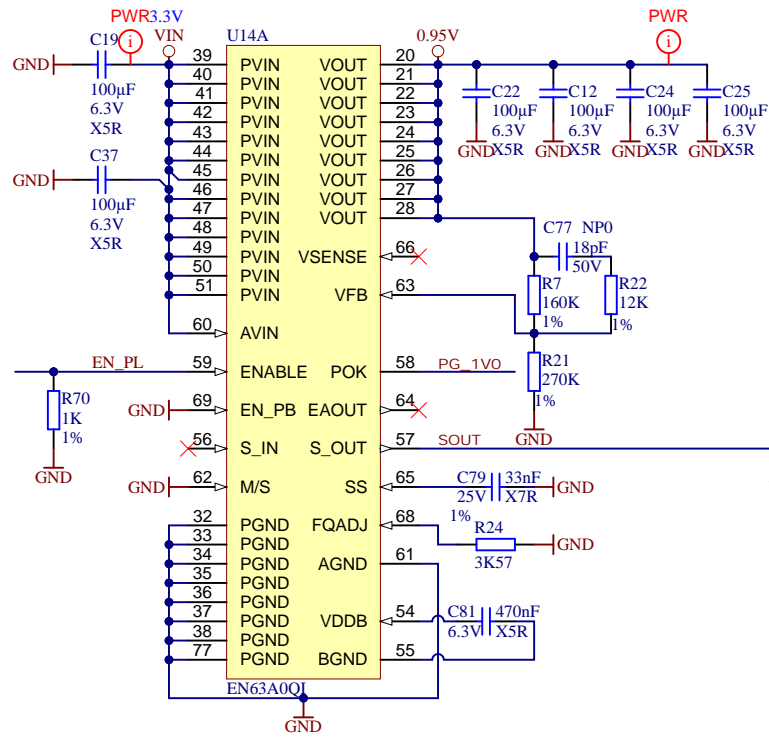

Title: TE0841		
A4	Number: TE0841 31121-A	Rev. 02
Date: 2018-03-14	Copyright: Trenz Electronic GmbH / TT	Page 18 of 21
Filename: DDR4-RAM_2.SchDoc		

1

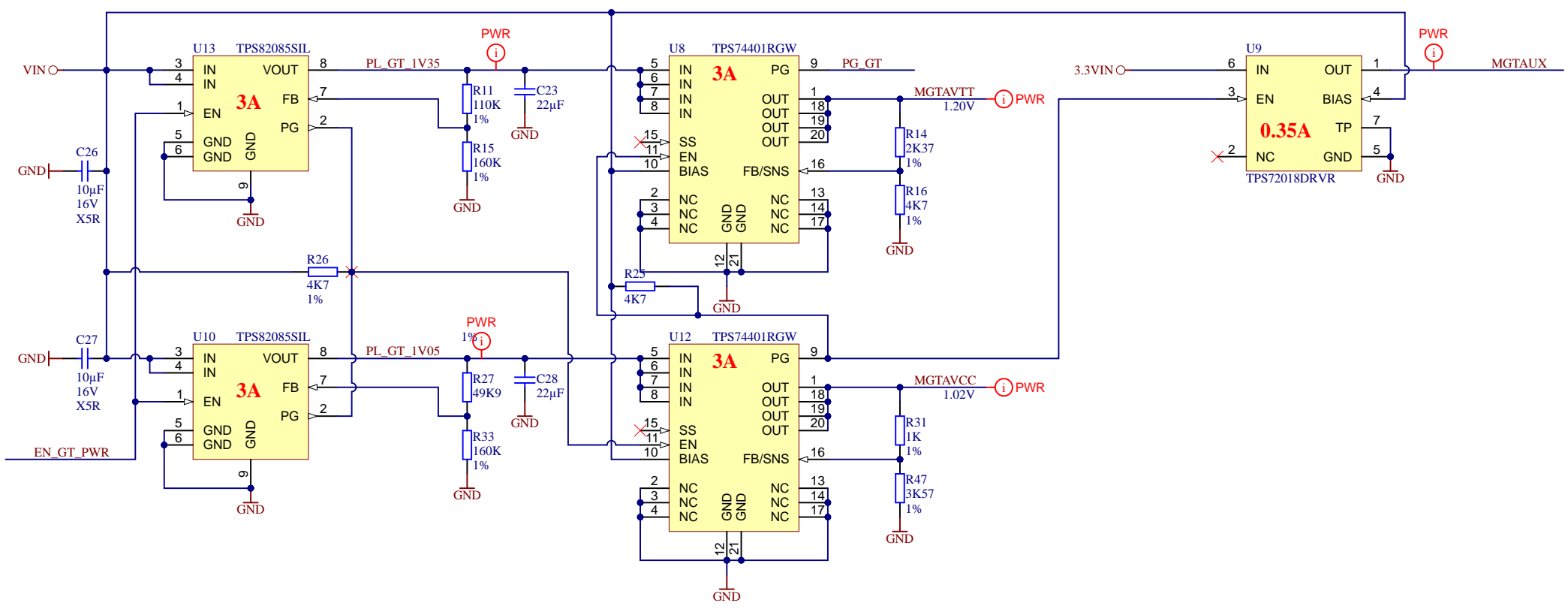
2


3

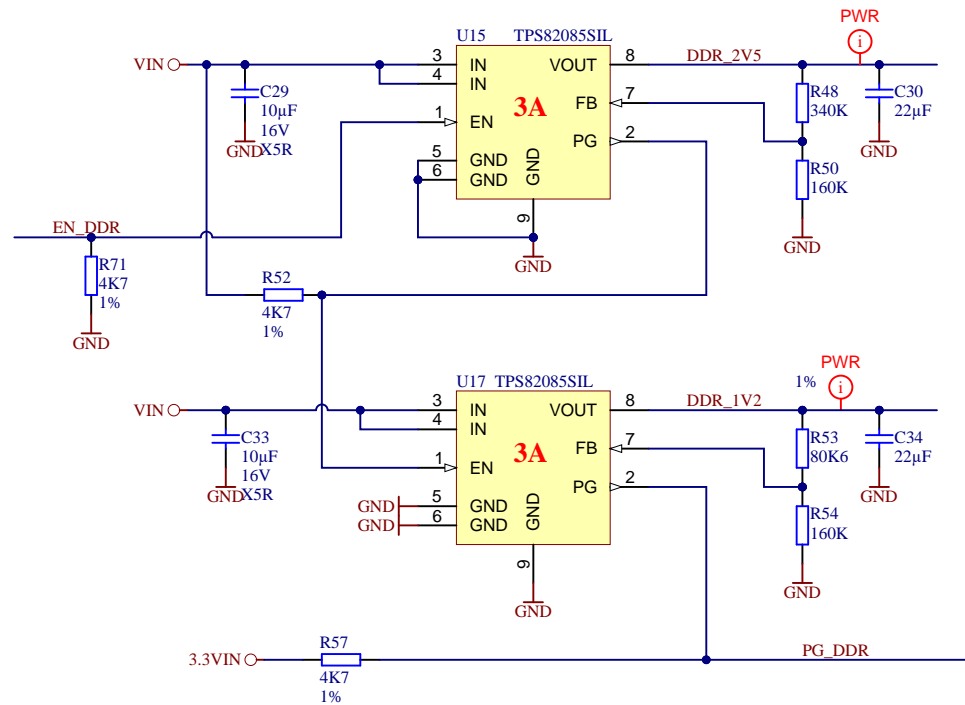
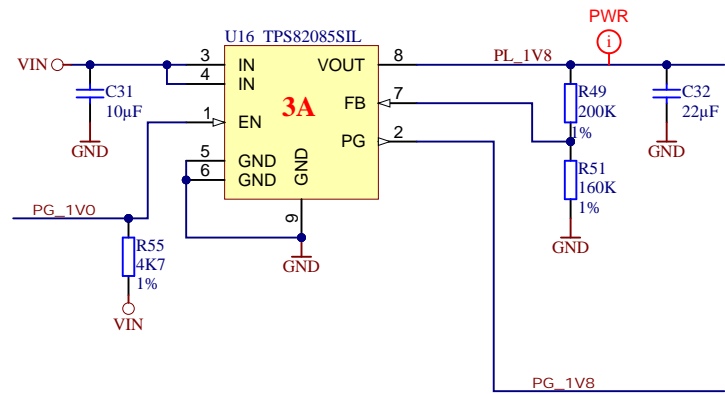
4

Title: <b>TE0841</b>		
A4	Number: <b>TE0841 31I21-A</b>	Rev. <b>02</b>
Date: <b>2018-03-14</b>	Copyright: <b>Trenz Electronic GmbH / TT</b>	Page <b>19</b> of <b>21</b>
Filename: <b>PWR1.SchDoc</b>		



	Title: TE0841		
	A4	Number: TE0841 31I21-A	Rev. 02
	Date: 2018-03-14	Copyright: Trenz Electronic GmbH / TT	Page20 of 21
	Filename: PWR2.SchDoc		



Title: TE0841		
A4	Number: TE0841 31I21-A	Rev. 02
Date: 2018-03-14	Copyright: Trenz Electronic GmbH / TT	Page21 of 21
Filename: POWER_2.SchDoc		

CHANGES REV01 TO REV01A (08.16.2017):


1) U1: changed schematic symbol. Next pins swapped to mach same polarity order:  
 -- AE13 (IO\_L6P\_T0U\_N10\_AD6P\_64)/AE12 (IO\_L6N\_T0U\_N11\_AD6N\_64)  
 -- J5 (IO\_L18P\_T2U\_N10\_AD2P\_66)/J4 (IO\_L18N\_T2U\_N11\_AD2N\_66)

2) Net names changed (no electrical changes):

JM1: swapped signals B64\_L6:  
 -- B64\_L6\_N - pin 40 (was pin 42)  
 -- B64\_L6\_P - pin 42 (was pin 40)  
 JM3: swapped signals B64\_L6:  
 -- B66\_L18\_N - pin 52 (was pin 54)  
 -- B66\_L18\_P - pin 54 (was pin 52)

CHANGES REV01A TO REV02 ( 03.2018):

- 1) U4 / U5: changed DDR4 chip: NT5AD256M16B2-GN -> K4A4G165WE-BCRC (K4A8G165WB-BIRC)
- 2) Fixed sense connection on DCDC
- 3) U6: changed SPI flash chip: N25Q256A11E1240E-> N25Q512A11G1240E
- 4) Full update LIB
- 5) Added additional resistors for support 16GBit DDR chips
- 6) Added strong pull-down to EN\_PL
- 7) Added additional testpoints for I2C bus
- 8) Added additional MEMS oscillator (25MHz)
- 9) Changed pull-up power supply VIN -> 3.3VIN on the PG\_DDR net
- 10) Added pull-down on the EN\_DDR  
(04.05.2022)
- 11) S/N Track-it pad set not fitted

	Title: <b>TE0841 - Changes list</b>		
	A4	Number: <b>TE0841 31I21-A</b>	Rev. <b>02</b>
	Date: <b>2018-03-14</b>	Copyright: <b>Trenz Electronic GmbH</b>	Page <b>22</b> of <b>22</b>
	Filename: <b>Revision_Changes.SchDoc</b>		