

TE0724_BB_Snap
TE0724_BB_Snap.SchDoc

CAN
CAN.SchDoc

FTDI
FTDI.SchDoc

POWER
POWER.SchDoc

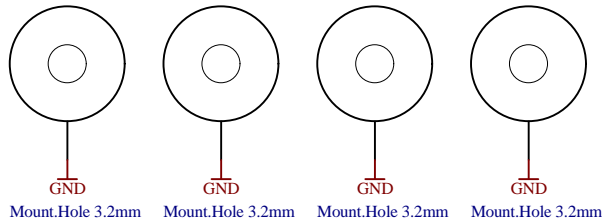
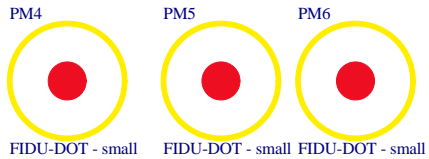
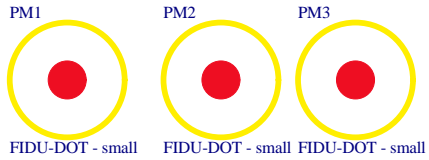
PMODs1
PMODs1.SchDoc

ETHERNET
ETHERNET.SchDoc

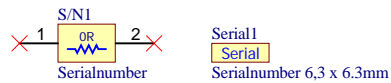
PMODs2
PMODs2.SchDoc

LED_SW_BUT
LED_SW_BUT.SchDoc

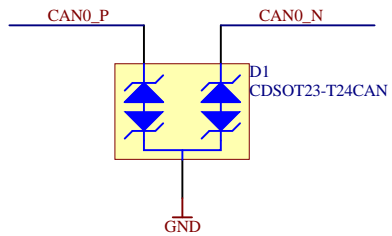
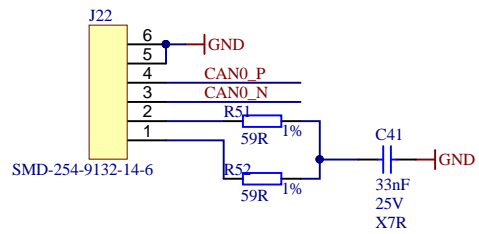
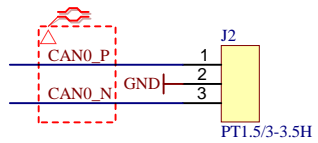
PMODs3
PMODs3.SchDoc




LOGO1
TE Logo PRINT Layer
LOGO PRINT



Title: TEB0724		
A4	Number: TEB0724 default	Rev. 01
Date: 2018-06-18	Copyright: Trenz Electronic GmbH	Page 1 of 10
Filename: TEB0724.SchDoc		



		Title: TEB0724 - CAN	
		A4	Number: TEB0724 default
Date: 2018-06-18		Copyright: Trenz Electronic GmbH	
Filename: CAN.SchDoc		Page 2 of 10	

1

2

3

4

A

A

B

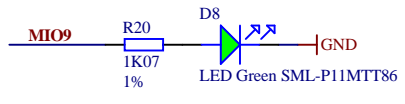
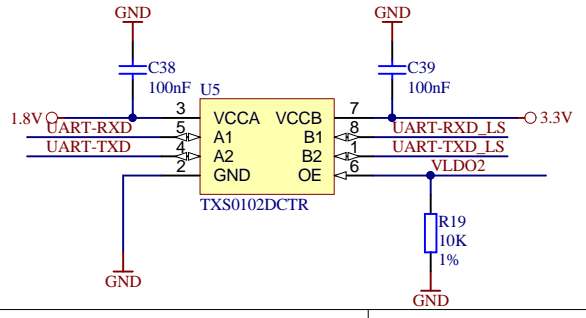
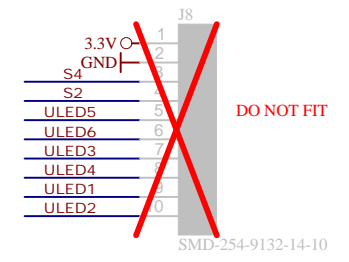
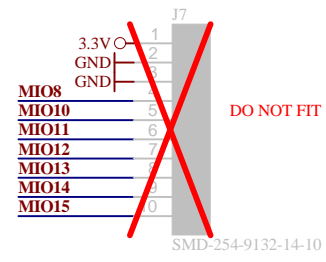
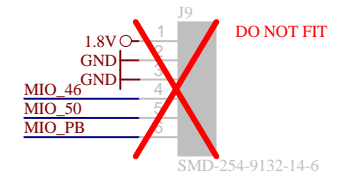
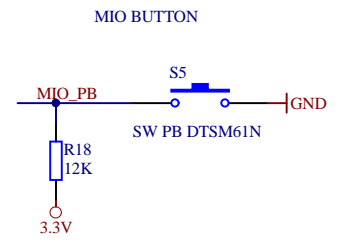
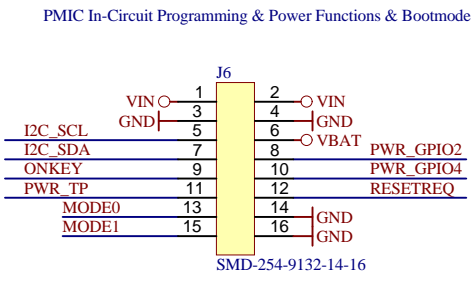
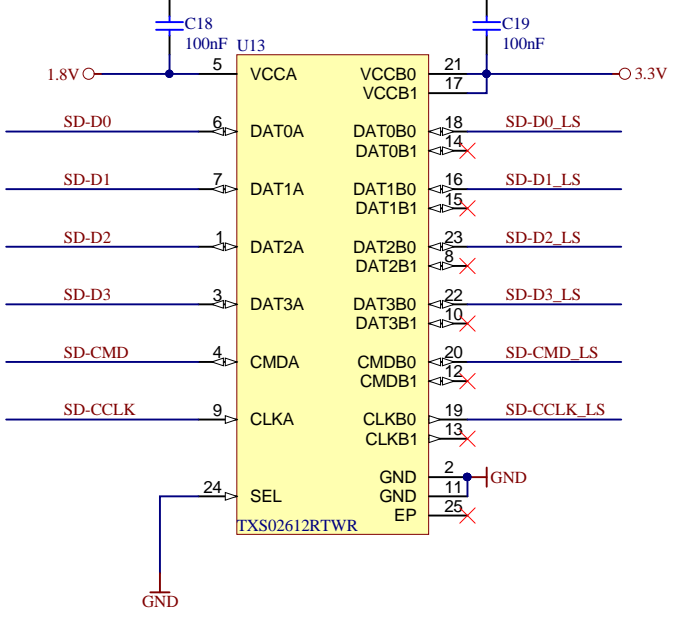
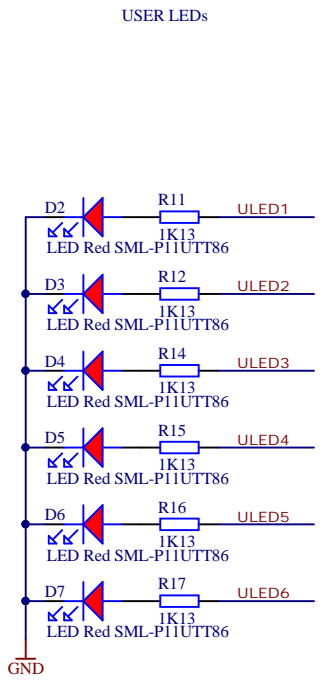
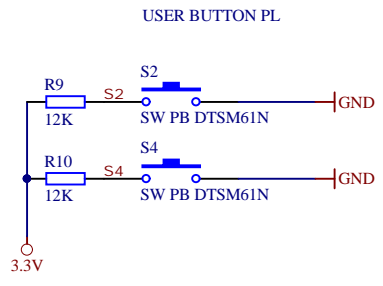
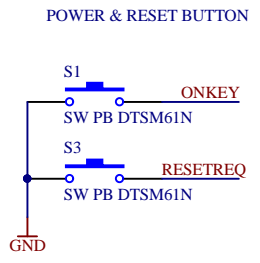
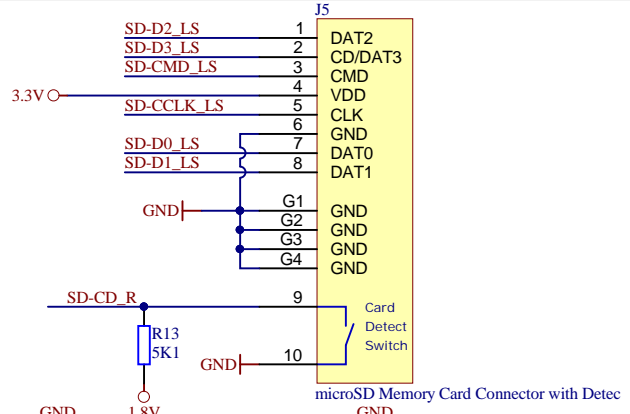
B

C

C

D

D



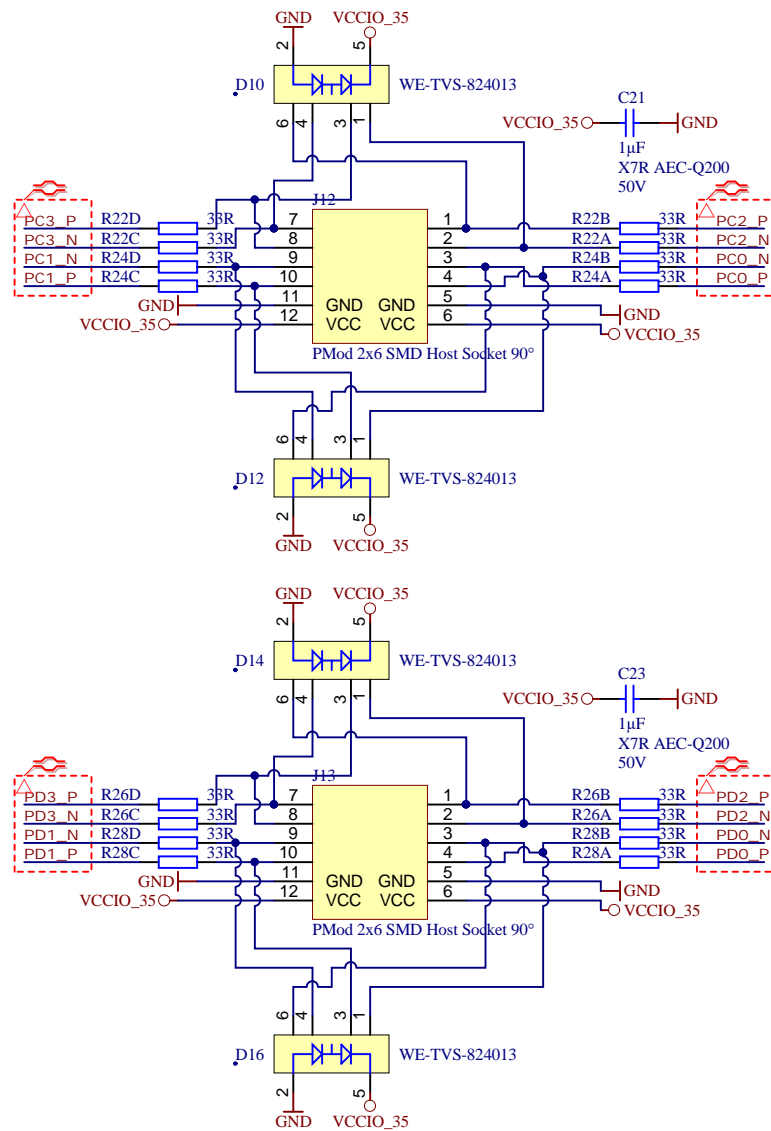
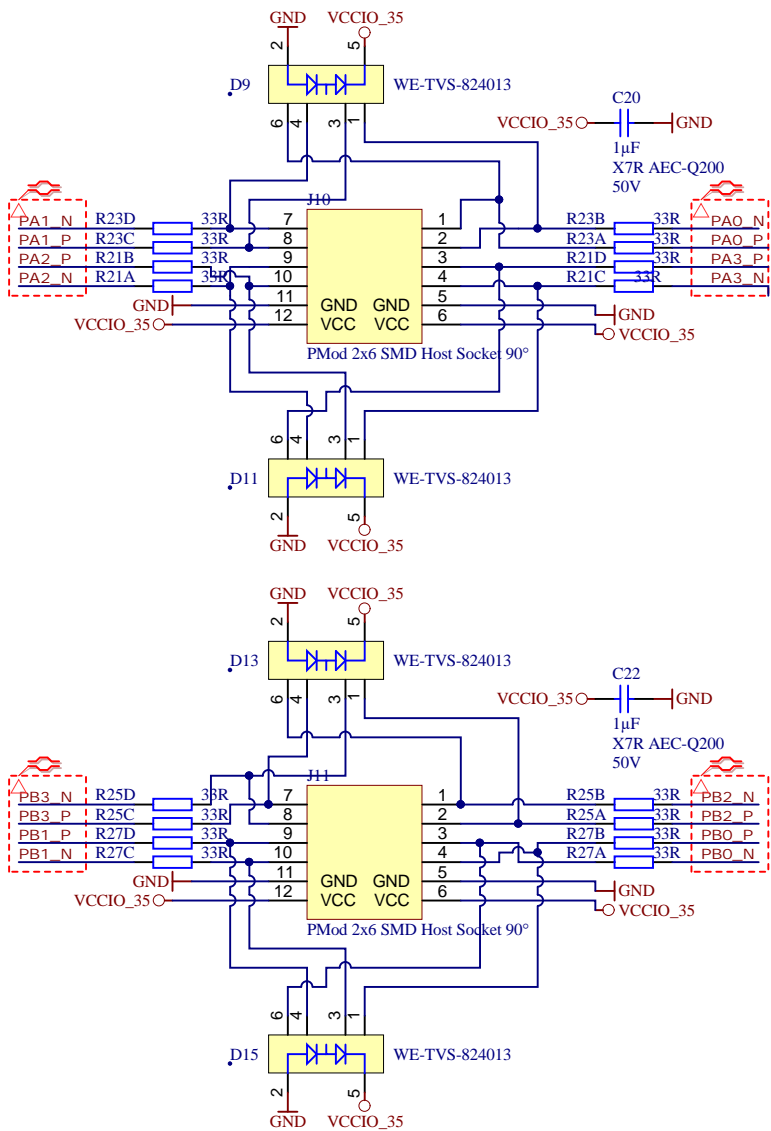
Title: TEB0724 - LEDS & SWS & BUTTONS		
A4	Number: TEB0724 default	Rev. 01
Date: 2018-06-18	Copyright: Trenz Electronic GmbH	Page 3 of 10
Filename: LED_SW_BUT.SchDoc		

1

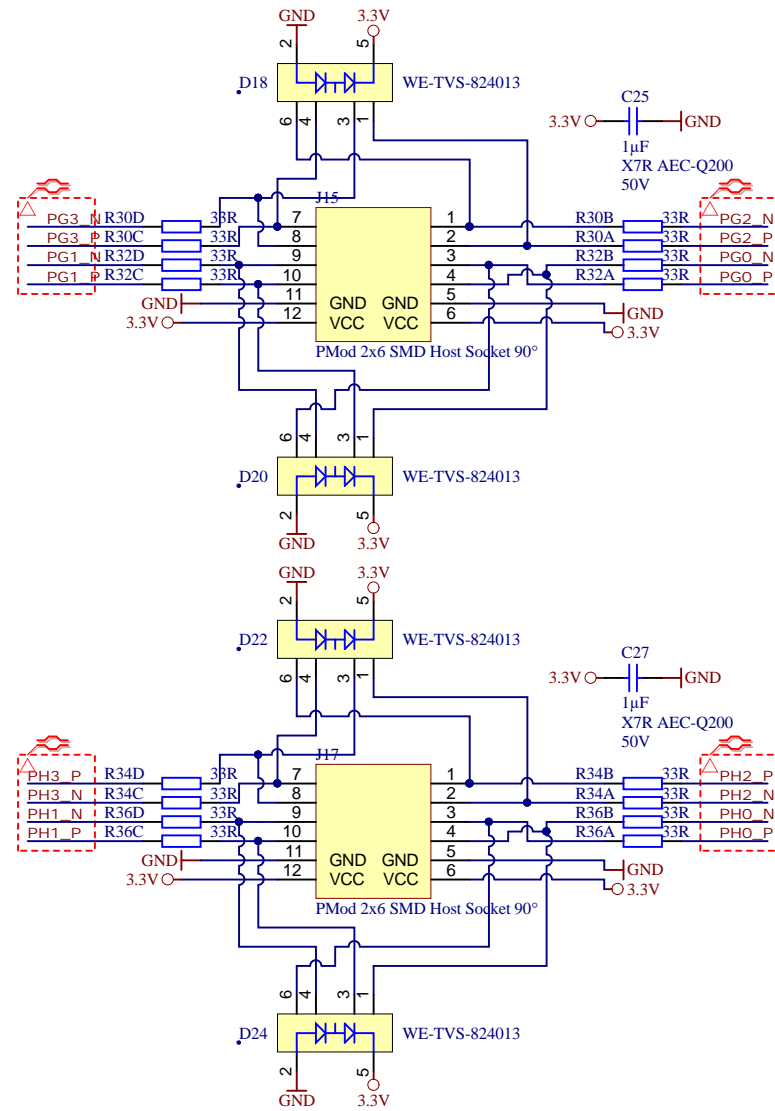
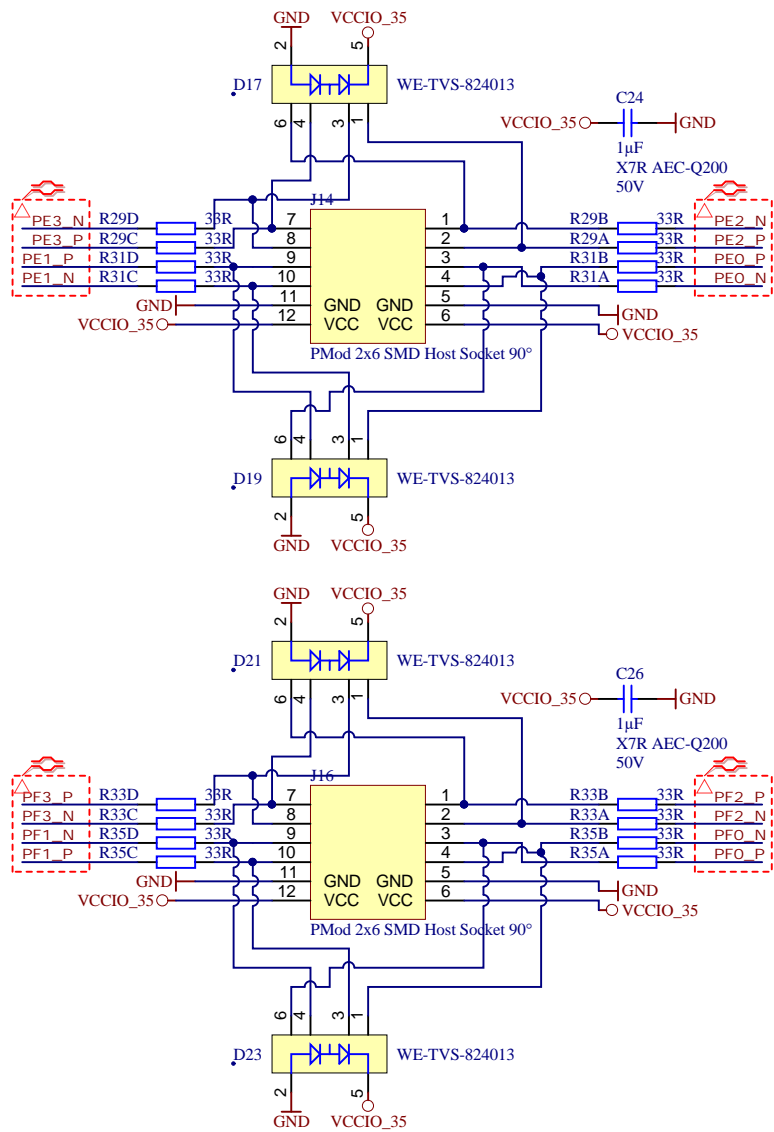
2


3

4



	Title: TEB0724 - PMODS1		
	A4	Number: TEB0724 default	Rev. 01
	Date: 2018-06-18	Copyright: Trenz Electronic GmbH	Page 4 of 10
	Filename: PMODS1.SchDoc		



	Title: TEB0724 - PMODS2		
	A4	Number: TEB0724 default	Rev. 01
	Date: 2018-06-18	Copyright: Trenz Electronic GmbH	Page 5 of 10
	Filename: PMODS2.SchDoc		

1

2

3

4

A

A

B

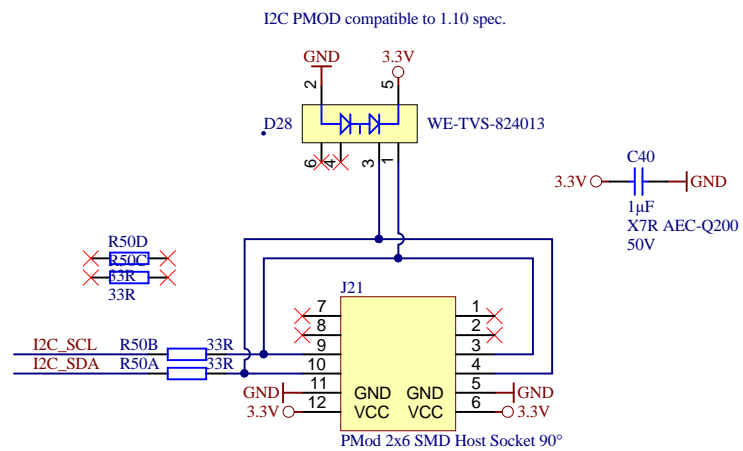
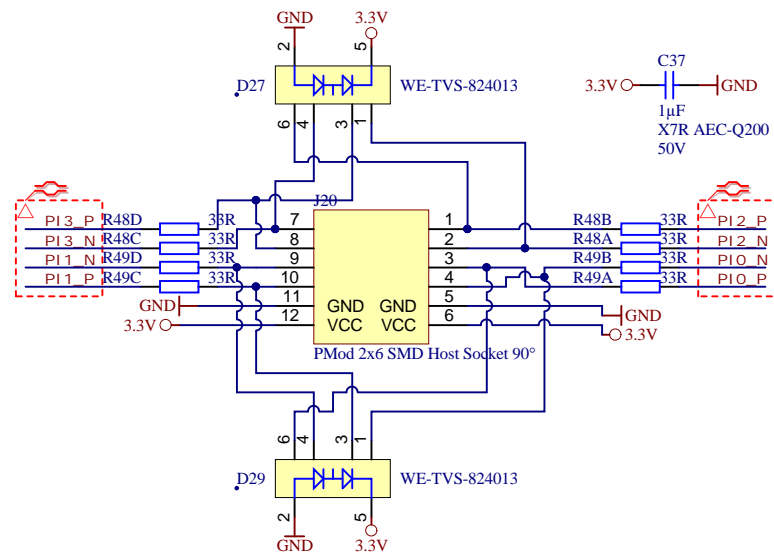
B

C

C

D

D



Title: TEB0724 - PMODS3		
A4	Number: TEB0724 default	Rev. 01
Date: 2018-06-18	Copyright: Trenz Electronic GmbH	Page 6 of 10
Filename: PMODs3.SchDoc		

1

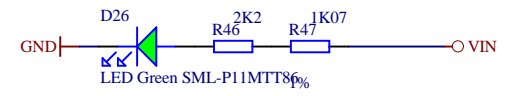
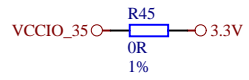
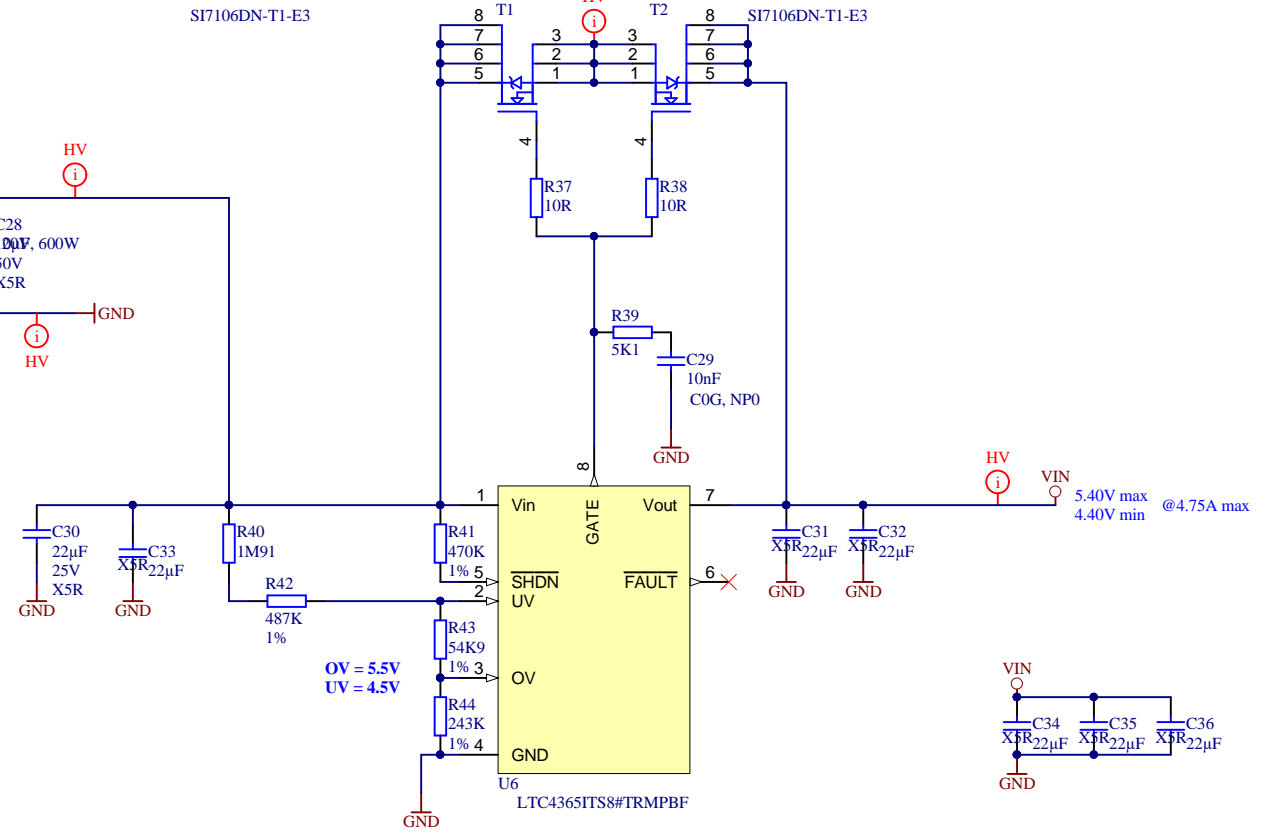
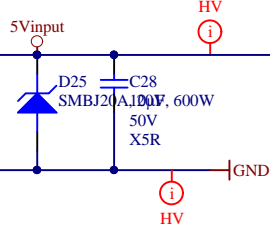
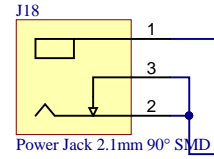
2

3

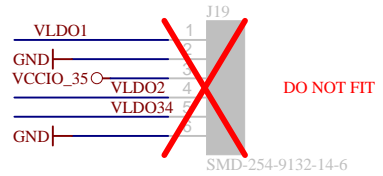
4

SI7106DN-T1-E3

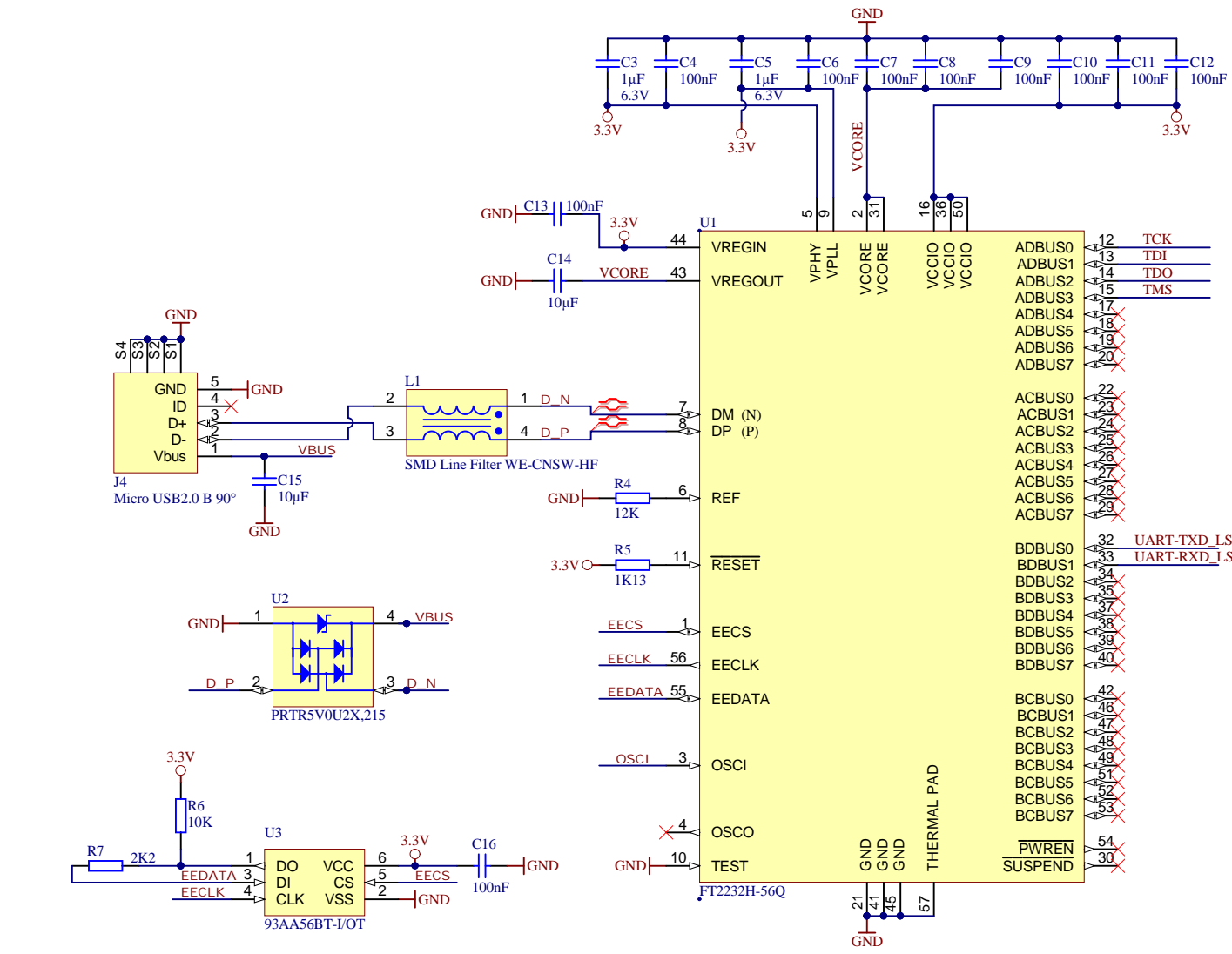
SI7106DN-T1-E3



Bank35 voltage select if 0 Ohm not placed



Title: TEB0724 - Power		
A4	Number: TEB0724 default	Rev. 01
Datum: 2018-06-18	Zeichner: Trenz Electronic GmbH	Blatt 7 von 10
Filename: POWER.SchDoc		



Title: TEB0724 - FTDI USB		
A4	Number: TEB0724 default	Rev. 01
Date: 2018-06-18	Copyright: Trenz Electronic GmbH	Page 8 of 10
Filename: FTDI.SchDoc		

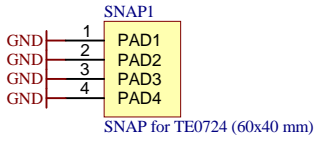
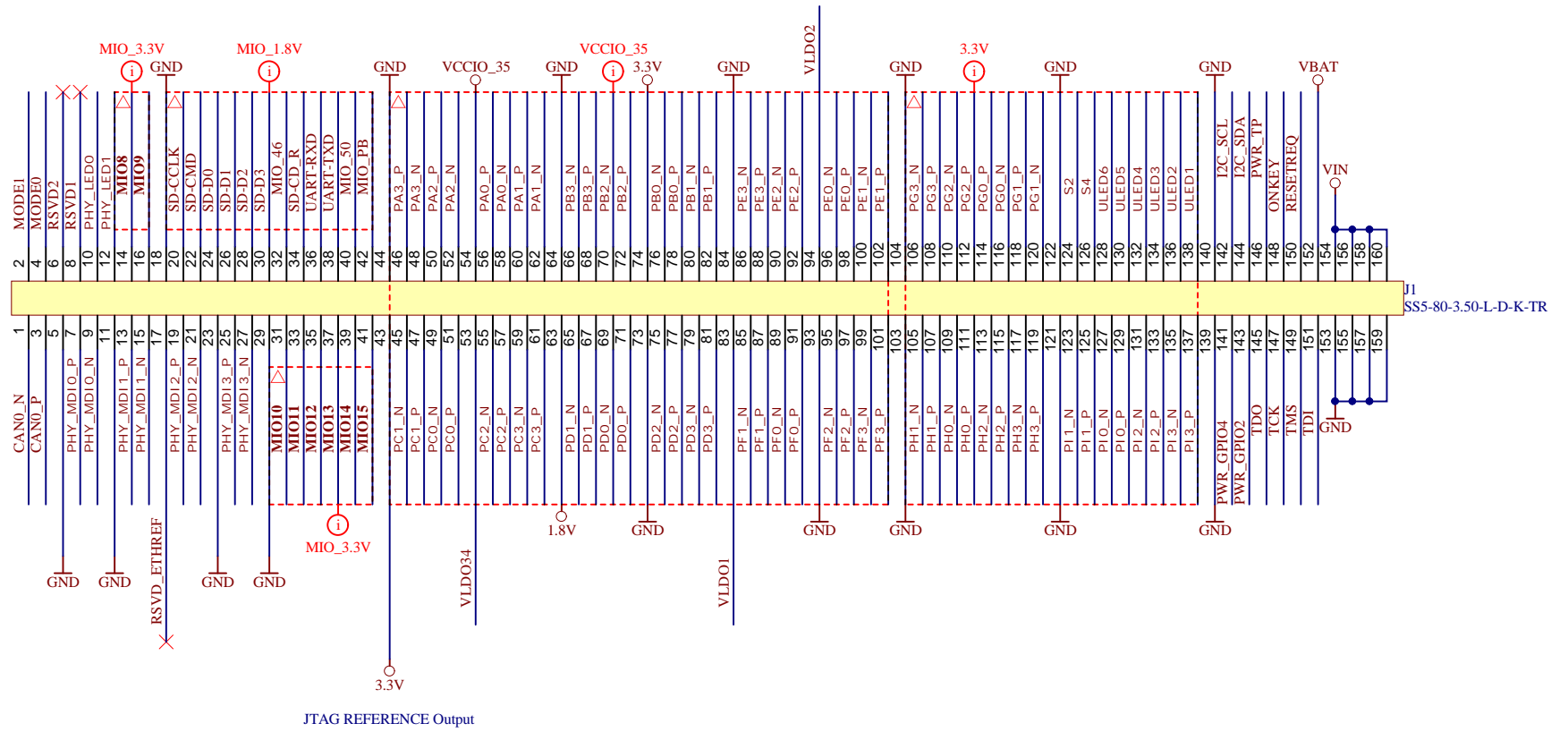
1

2


3

4

MIO0 - 8 I/O 3.3V
 MIO1 - 12 I/O 1.8V
 B34 - 32 I/O 3.3V
 B35 - 48 I/O Variable PA-PD



JTAG REFERENCE Output

		Title: TEB0724 - TE0724 BB Snap	
		A4 Number: TEB0724 default	Rev. 01
Date: 2018-06-18		Copyright: Trenz Electronic GmbH	
Filename: TE0724_BB_Snap.SchDoc		Page 9 of 10	

1

2

3

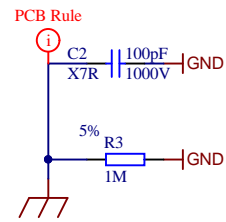
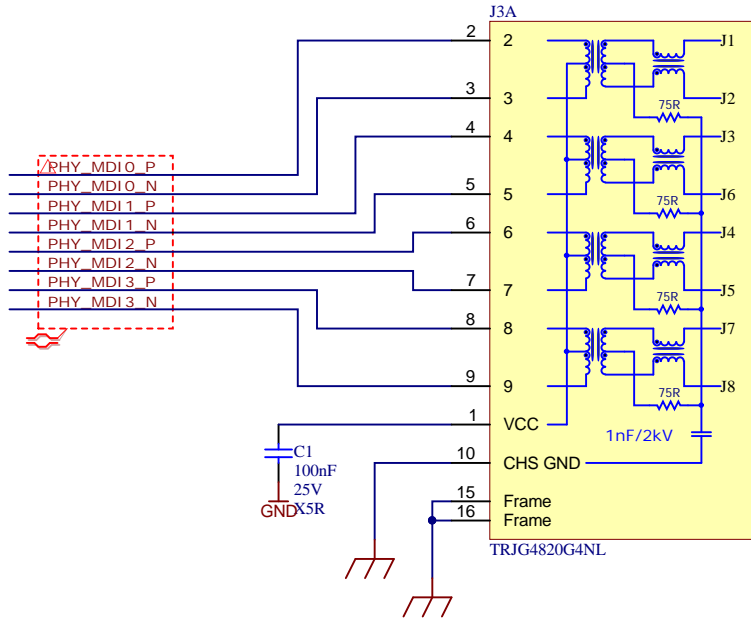
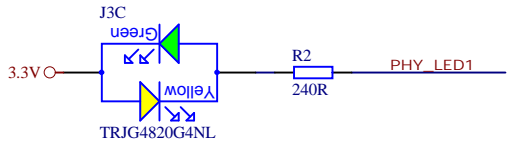
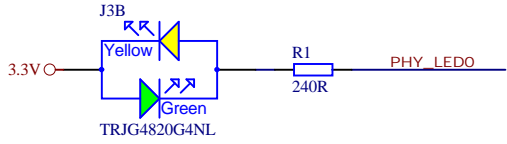
4

1

2

3

4



Title: TEB0724 - Ethernet		
A4	Nummer: TEB0724 default	Rev. 01
Datum: 2018-06-18	Zeichner: Trenz Electronic GmbH	Blatt 10 von 10
Filename: ETHERNET.SchDoc		

1

2

3

4