

1

2

3

4

U\_J1  
J1.SchDoc



U\_DDR3  
DDR3-RAM.SchDoc



QSPI\_MicroSD  
QSPI\_MicroSD.SchDoc



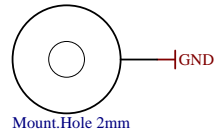
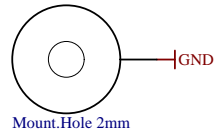
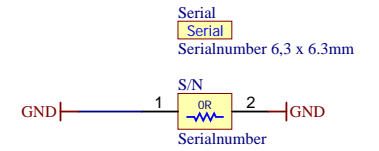
U\_ZYNQ  
ZYNQ.SchDoc



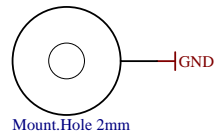
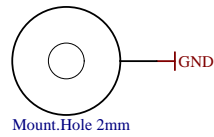
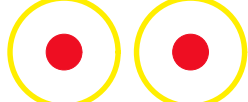
U\_ETH\_PHY  
ETH-PHY.SchDoc



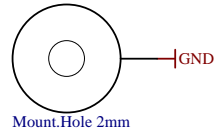
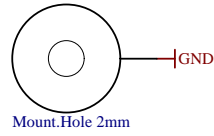
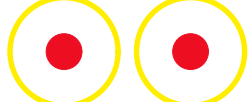
U\_POWER  
POWER.SchDoc



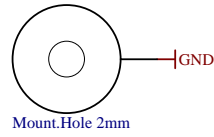
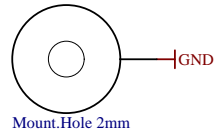
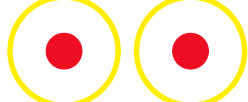
FIDU-DOT - small FIDU-DOT - small



PM1 PM2  
FIDU-DOT - small FIDU-DOT - small



PM3 PM4  
FIDU-DOT - small FIDU-DOT - small



PM5 PM6



Title: TE0724		
A4	Number: TE0724 10-11	Rev. 03
Date: 2017-05-30	Copyright: Trenz Electronic GmbH / TT	Page1 of 16
Filename: TE0724.SchDoc		

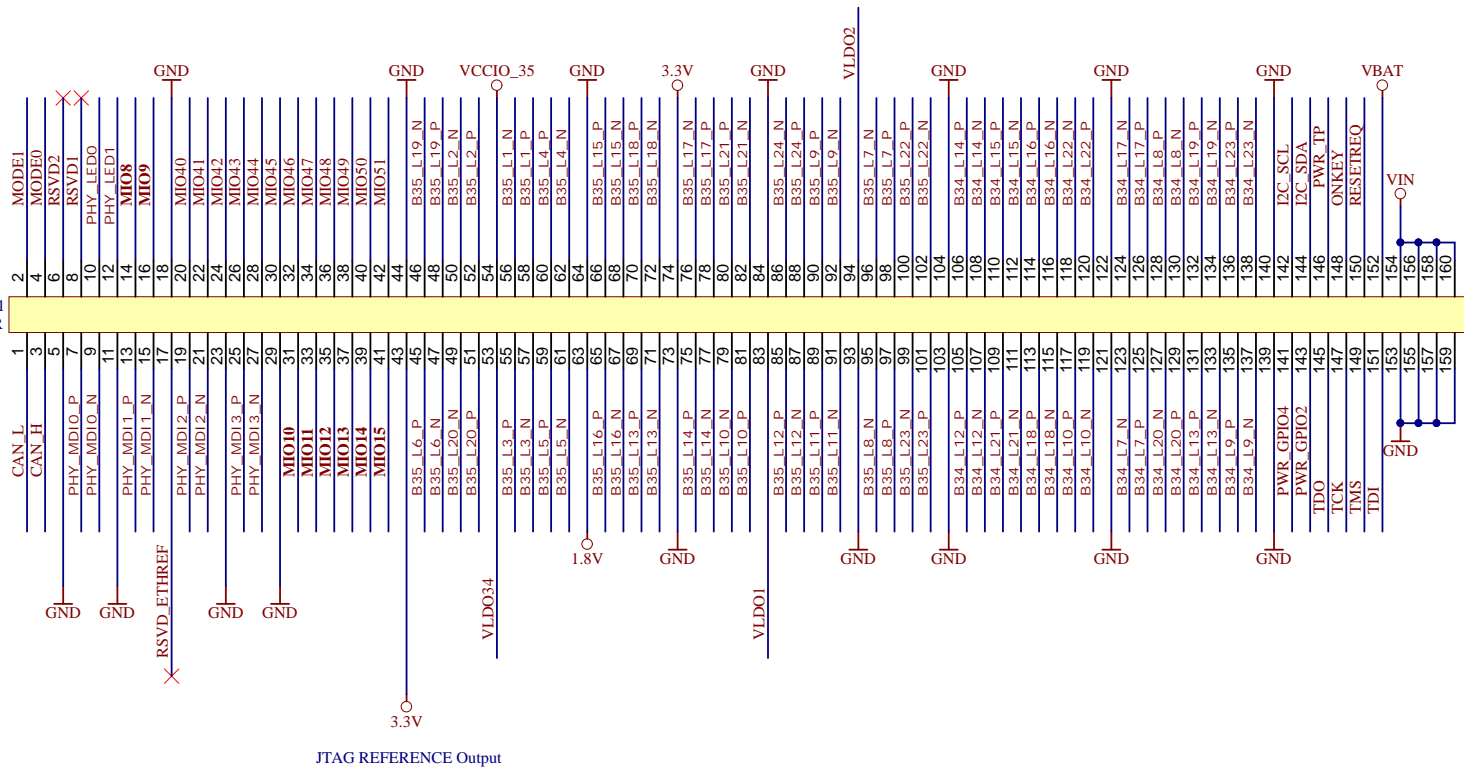
1

2

3

4

ST5-80-1.50-L-D-P-TR



MIO0 - 8 I/O 3.3V  
MIO1 - 12 I/O 1.8V  
B34 - 32 I/O 3.3V  
B35 - 24 LVDS or 48 I/O Variable

JTAG REFERENCE Output

	Title: TE0724 - B2B connectors J1		
	A4	Number: TE0724 10-11	Rev. 03
	Date: 2017-05-30	Copyright: Trenz Electronic GmbH / TT	Page2 of 16
	Filename: J1.SchDoc		

1

2

3

4

A

A

B

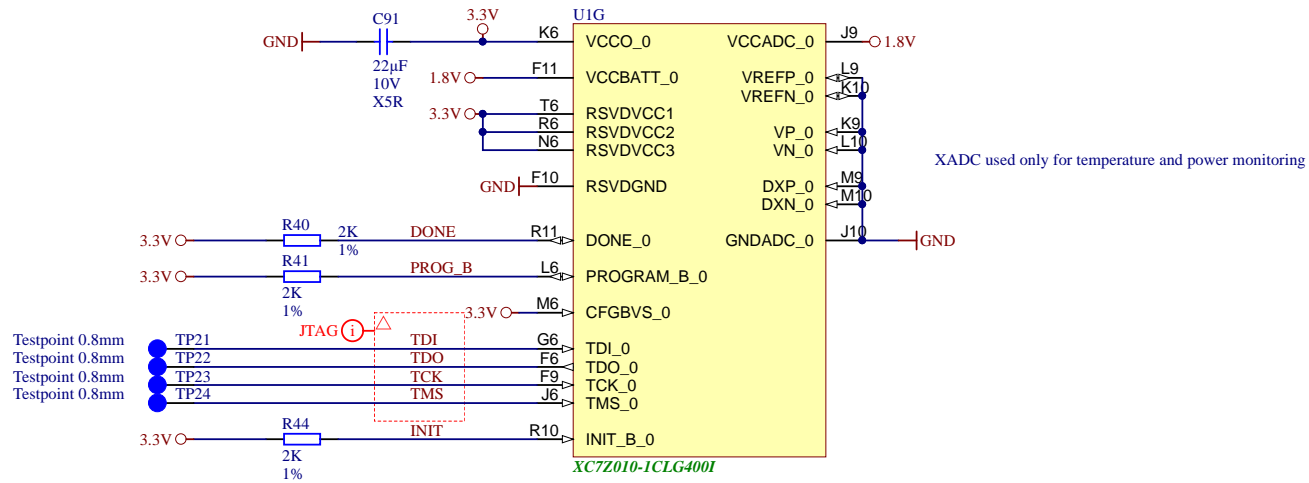
B

C

C

D

D



	Title: TE0724 - Zynq_MISC		
	A4	Number: TE0724 10-11	Rev. 03
	Date: 2017-05-30	Copyright: Trenz Electronic GmbH / TT	Page3 of 16
	Filename: ZYNQ_MISC.SchDoc		

1

2

3

4

1

2

3

4

A

A

B

B

C

C

D

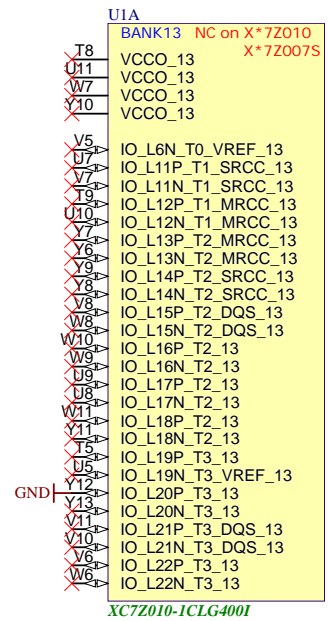
D


1

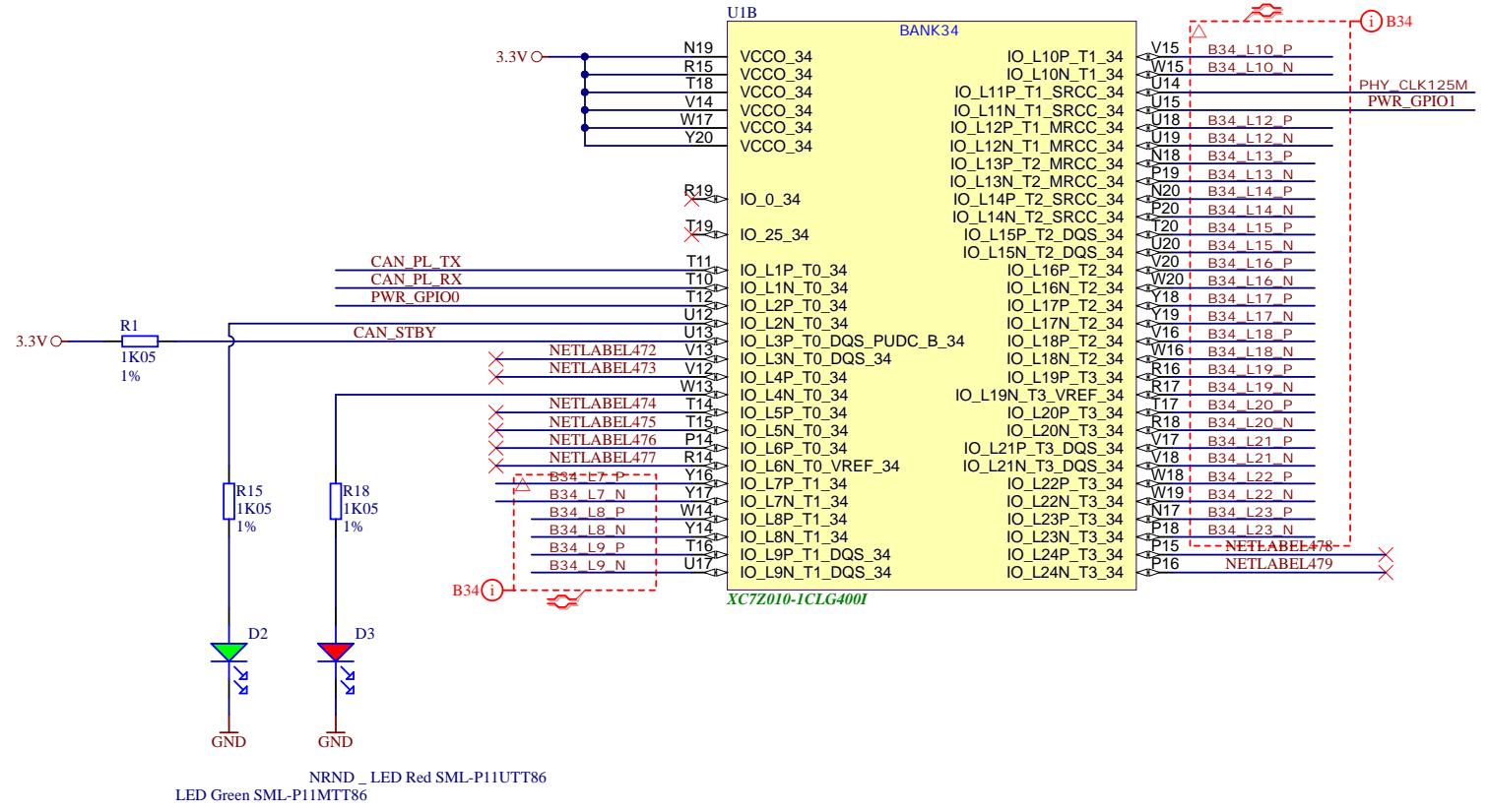
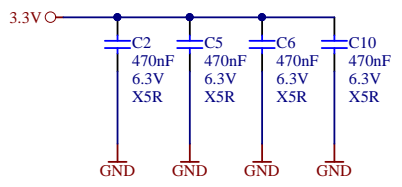
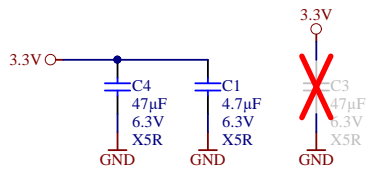
2


3

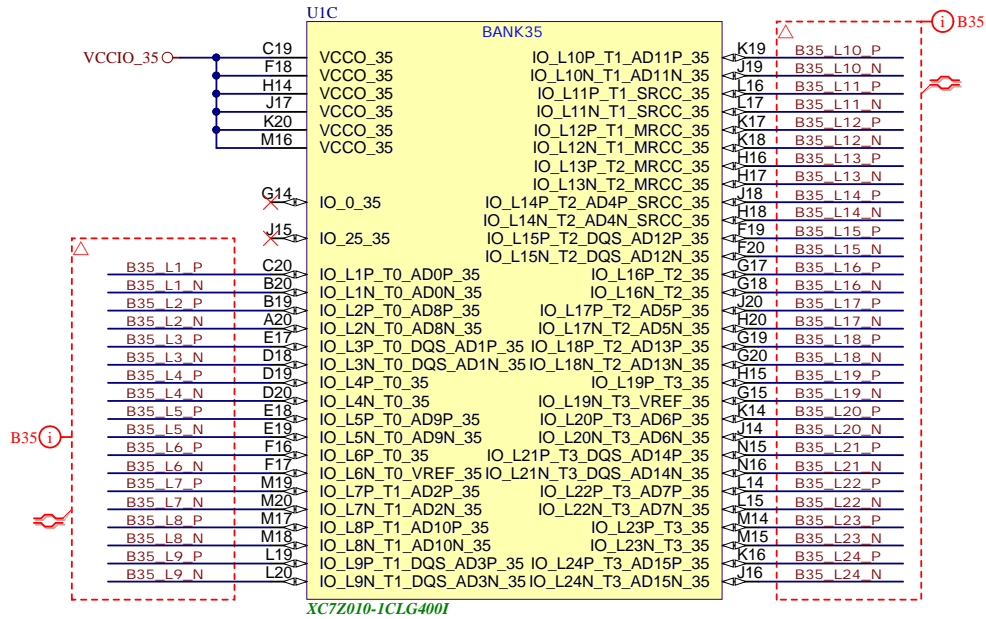
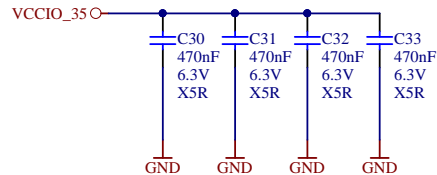
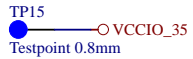
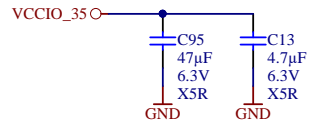
4



	Title: TE0724 - Zynq_B13		
	A4	Number: TE0724 10-11	Rev. 03
	Date: 2017-05-30	Copyright: Trenz Electronic GmbH / TT	Page4 of 16
	Filename: B13.SchDoc		



		Title: TE0724 - Zynq_B34	
		A4	Number: TE0724 10-11
Date: 2017-05-30		Copyright: Trenz Electronic GmbH / TT	
Filename: B34.SchDoc		Page5 of 16	



Title: TE0724 - Zynq_B35		
A4	Number: TE0724 10-11	Rev. 03
Date: 2017-05-30	Copyright: Trenz Electronic GmbH / TT	Page6 of 16
Filename: B35.SchDoc		

1

2

3

4

A

A

U\_B13  
B13.SchDoc



U\_B500  
MIO\_B500.SchDoc



U\_B501  
MIO\_B501.SchDoc



U\_PS\_DDR  
PS-DDR.SchDoc



U\_MISC  
ZYNQ\_MISC.SchDoc



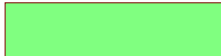
U\_B34  
B34.SchDoc



U\_ZYNQ\_POWER  
ZYNQ\_POWER.SchDoc



U\_B35  
B35.SchDoc



B

B

C

C

D

D

1

2

3

4



Title: TE0724 - Zynq		
A4	Number: TE0724 10-11	Rev. 03
Date: 2017-05-30	Copyright: Trenz Electronic GmbH / TT	Page7 of 16
Filename: ZYNQ.SchDoc		

1

2

3

4

A

A

B

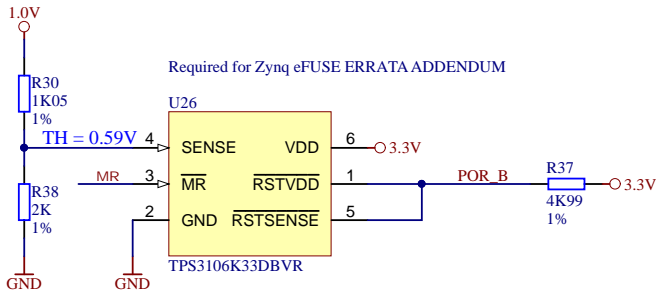
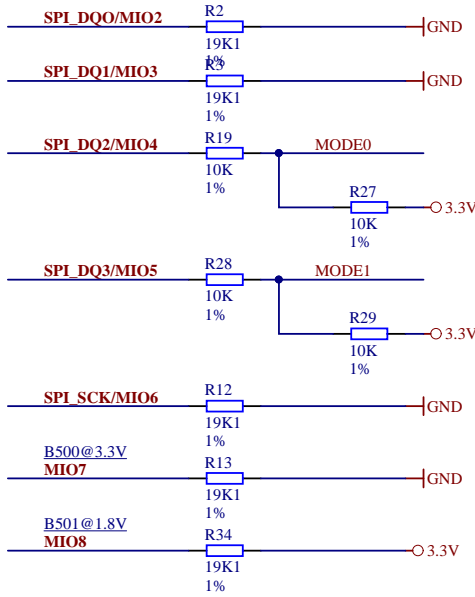
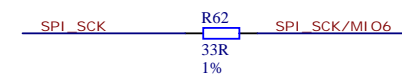
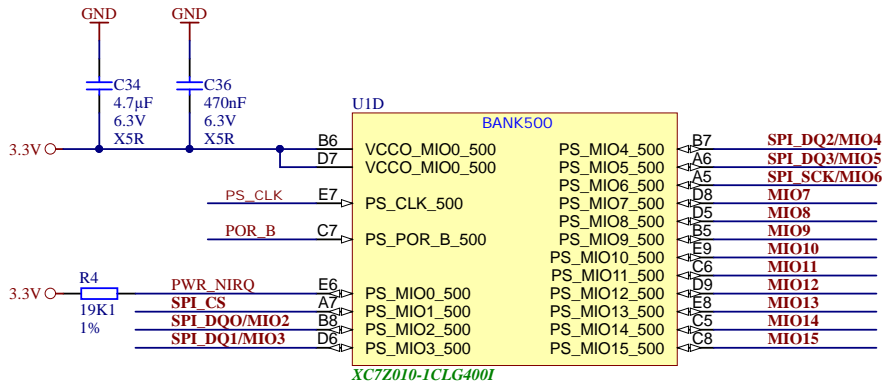
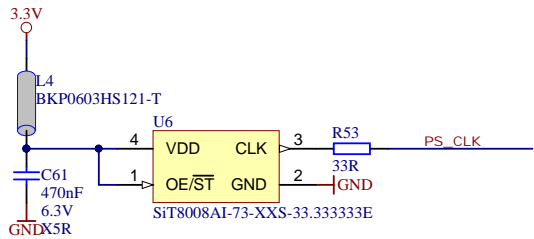
B

C

C

D

D



Title: TE0724 - Zynq_MIO_B500		
A4	Number: TE0724 10-11	Rev. 03
Date: 2017-05-30	Copyright: Trenz Electronic GmbH / TT	Page8 of 16
Filename: MIO_B500.SchDoc		

1

2

3

4



1

2

3

4

A

A

B

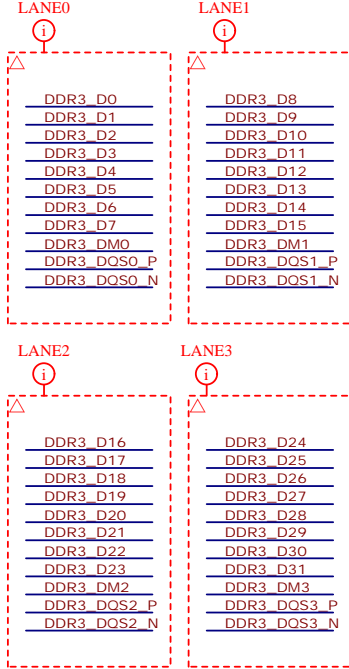
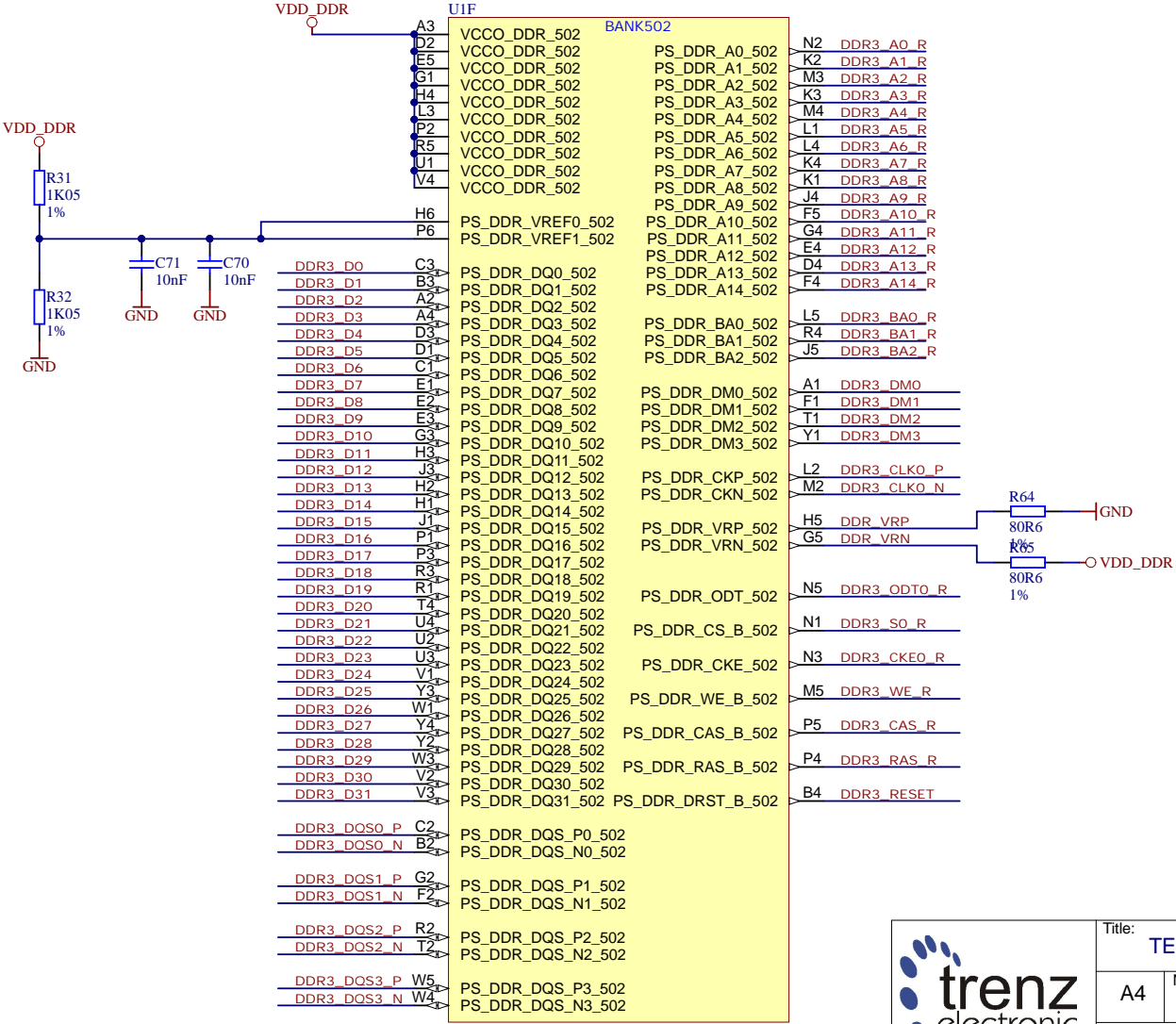
B

C

C

D

D



	Title: TE0724 - Zynq_PS_DDR		
	A4	Number: TE0724 10-11	Rev. 03
	Date: 2017-05-30	Copyright: Trenz Electronic GmbH / TT	Page9 of 16
	Filename: PS-DDR.SchDoc		

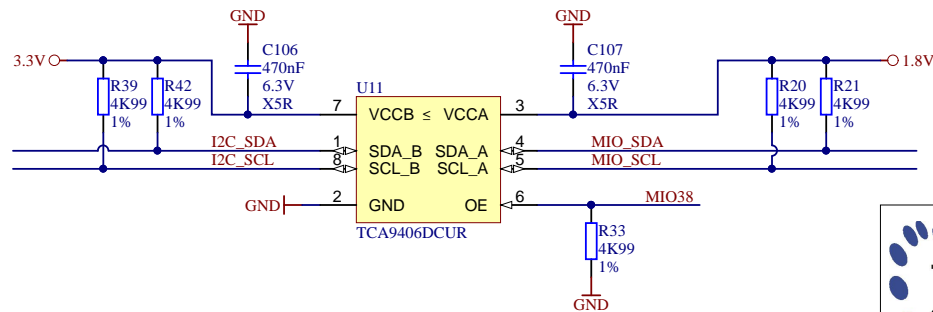
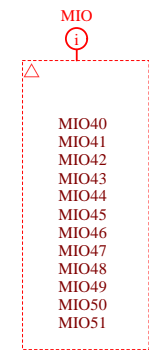
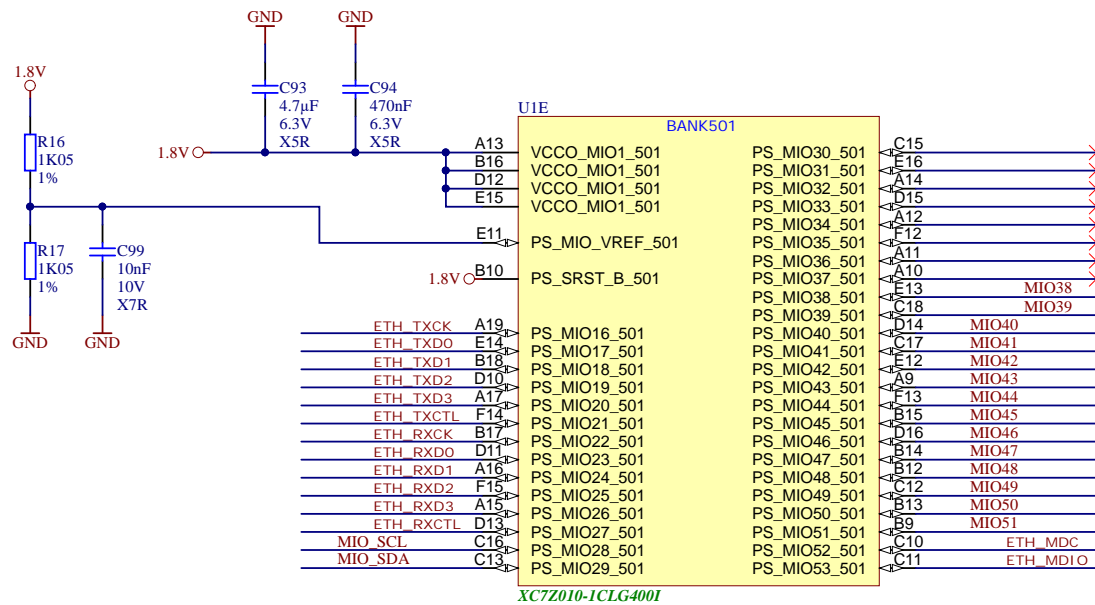
1

2

3

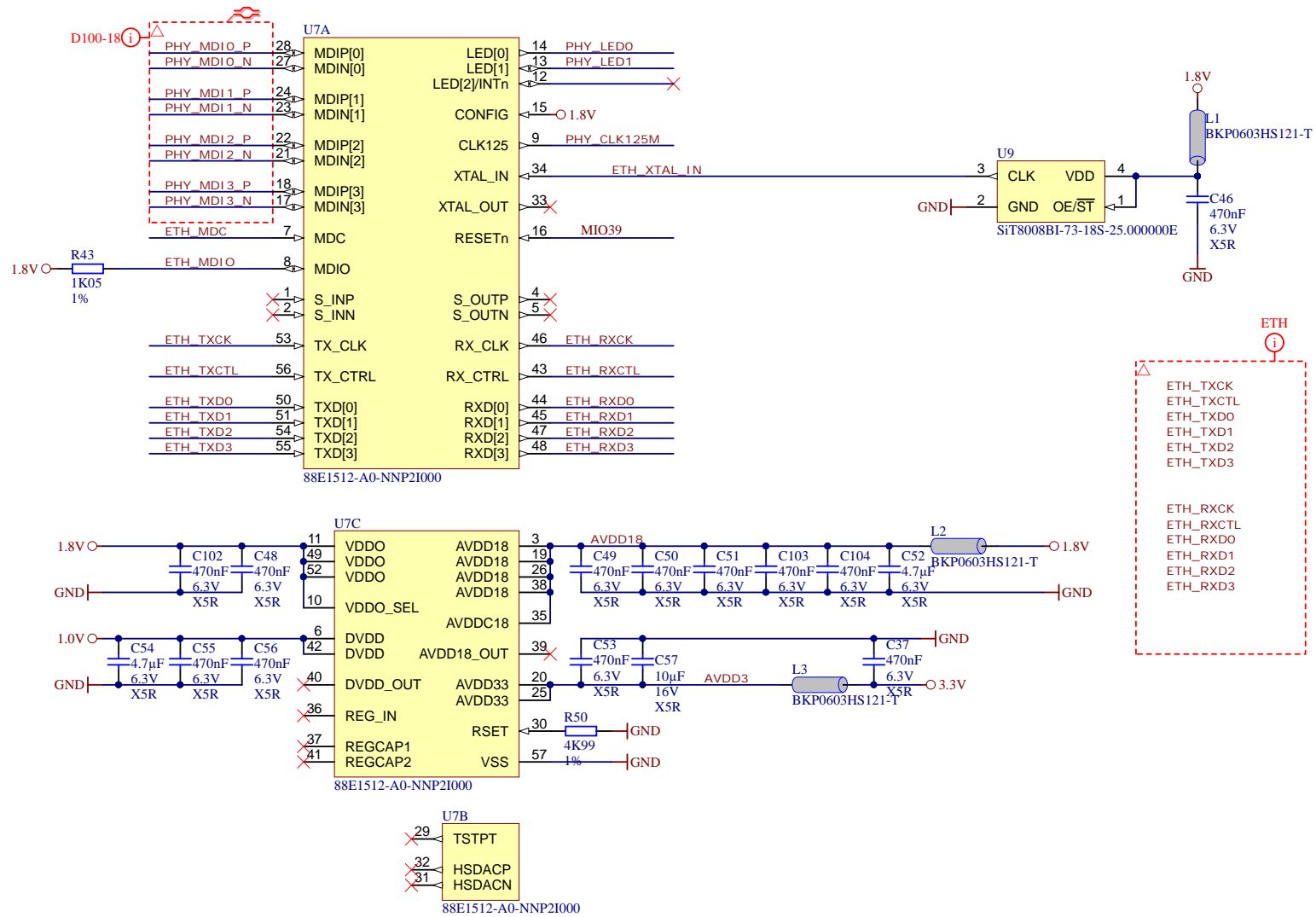
4





Title: TE0724 - Zynq_MIO_B501		
A4	Number: TE0724 10-11	Rev. 03
Date: 2017-05-30	Copyright: Trenz Electronic GmbH / TT	Page 11 of 16
Filename: MIO_B501.SchDoc		





	Title: TE0724 - ETH_PHY		
	A4	Number: TE0724 10-11	Rev. 03
	Date: 2017-05-30	Copyright: Trenz Electronic GmbH / TT	Page13 of 16
	Filename: ETH-PHY.SchDoc		





1

2

3

4

REV. 02:

- 1) New I2C translator U11: TCA9406DCUR
- 2) Fixed boot mode connection. Mode0 pulled-up by R27 and Mode 1 pulled-up by R33
- 3) Green LED D3 replaced to Red LED
- 4) C91 changed from 47 to 22uF
- 5) C3 not fitted
- 6) C105 deleted, C47 replaced from 10 to 22uF (EP53A7HQI output capacitor)
- 7) PWR\_GPIO3 (EP53A7HQI enable) pulled down by R45 (19.1 kOhm)
- 8) DONE, INIT, PROG\_B pulled-up to 3.3V
- 9) Added testpoints: JTAG, PMIC (I2C, ONKEY, TP)
- 10) J2 changed to 2 row 6-pin header. To J2 added ONKEY, PWR\_TP, VIN
- 11) Mounting holes changed from 2mm to 2.2mm

REV.02A:

- 1) PCB revision: all vias are epoxy filled and copper capped. No mask openings on vias. No electrical changes

REV.03:

- 1) Replace DCDC U8 by TPS82140



Title: <b>TE0724</b>		
A4	Number: <b>TE0724 10-11</b>	Rev. <b>03</b>
Date: <b>2018-11-26</b>	Copyright: <b>Trenz Electronic GmbH / TT</b>	Page <b>16</b> of <b>16</b>
Filename: <b>Revision changes.SchDoc</b>		

1

2

3

4