


Regarding the usage of our schematics and alike documentation for Trenz module TE0724.

Project is protected under copyright and we strongly and strictly prohibit the reverse engineering or recreation, even if the design is just adapted or modified. TE0724 is protected under such right and in case of plagiarism we will have to do anything necessary in order to protect our assets.

Schematics and other handouts serve for informational purposes only!

	Title: TE0724	
	A4	Number: TE0724 61132-AZ
	Date: 2020-08-21	Rev. 04
	Copyright: Trenz Electronic GmbH / TT	
Page 1 of 17		
Filename: Legal Notices Modules.SchDoc		

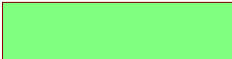
1

2

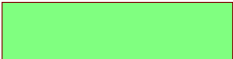
3

4

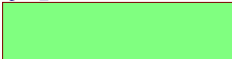
U_J1
J1.SchDoc




U_DDR3
DDR3-RAM.SchDoc




QSPI_MicroSD
QSPI_MicroSD.SchDoc




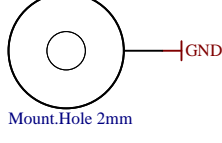
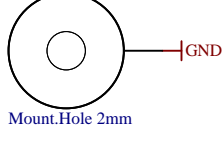
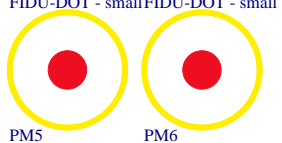
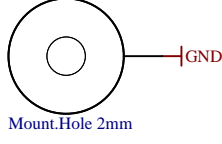
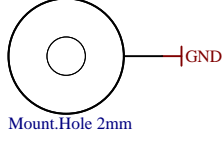
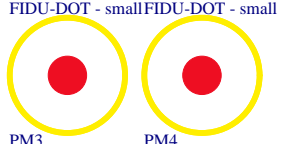
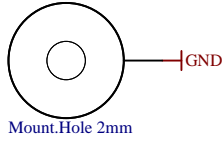
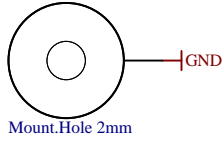
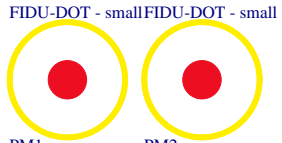
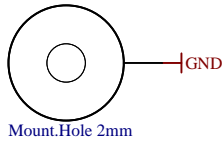
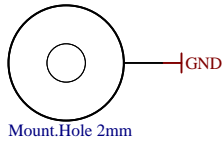
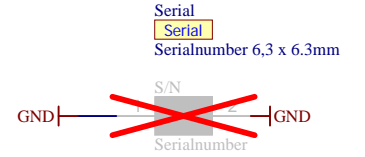
U_ZYNQ
ZYNQ.SchDoc



U_ETH_PHY
ETH-PHY.SchDoc



U_POWER
POWER.SchDoc

Variant Notes:
min. VIN voltage: 4.5 V

Design drawn by:	MR
Checked by:	IG
Assembly variant:	61132-AZ
Created by:	ED
Modified by:	ED
Modified at:	2022-02-25



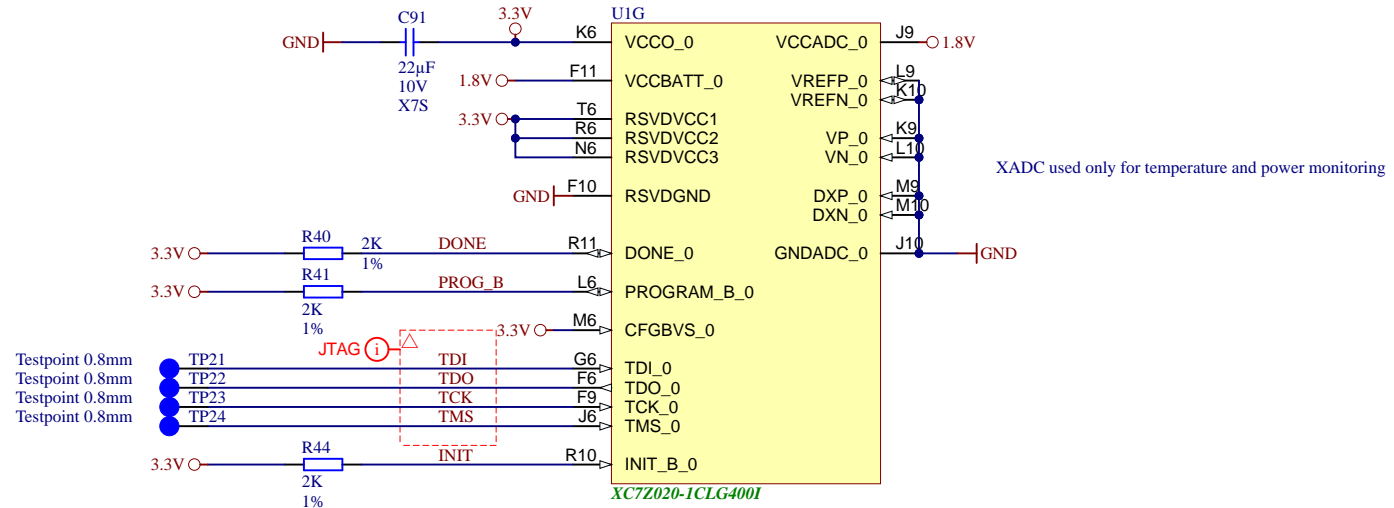
Title: TE0724		
A4	Number: TE0724 61132-AZ	Rev. 04
Date: 25.02.2022	Copyright: Trenz Electronic GmbH / TT	Page 2 of 17
Filename: TE0724.SchDoc		

1

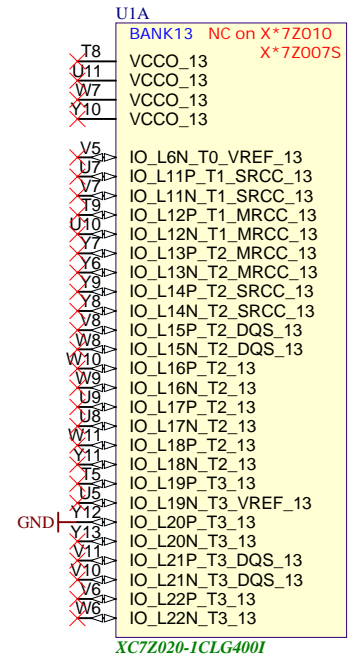
2


3

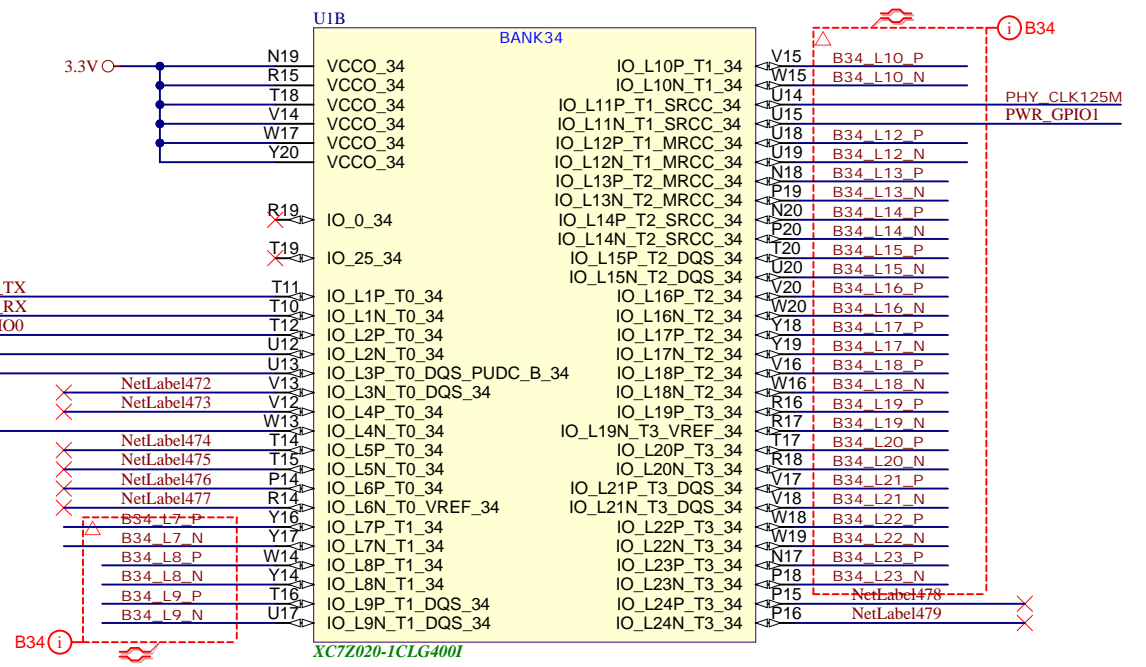
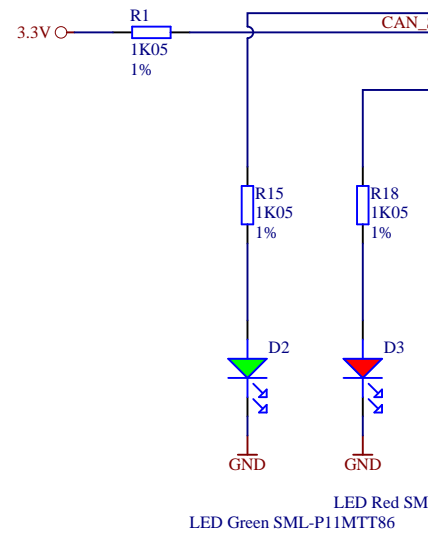
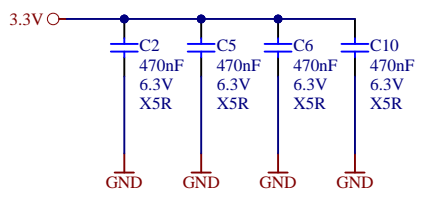
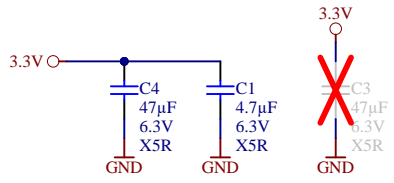
4



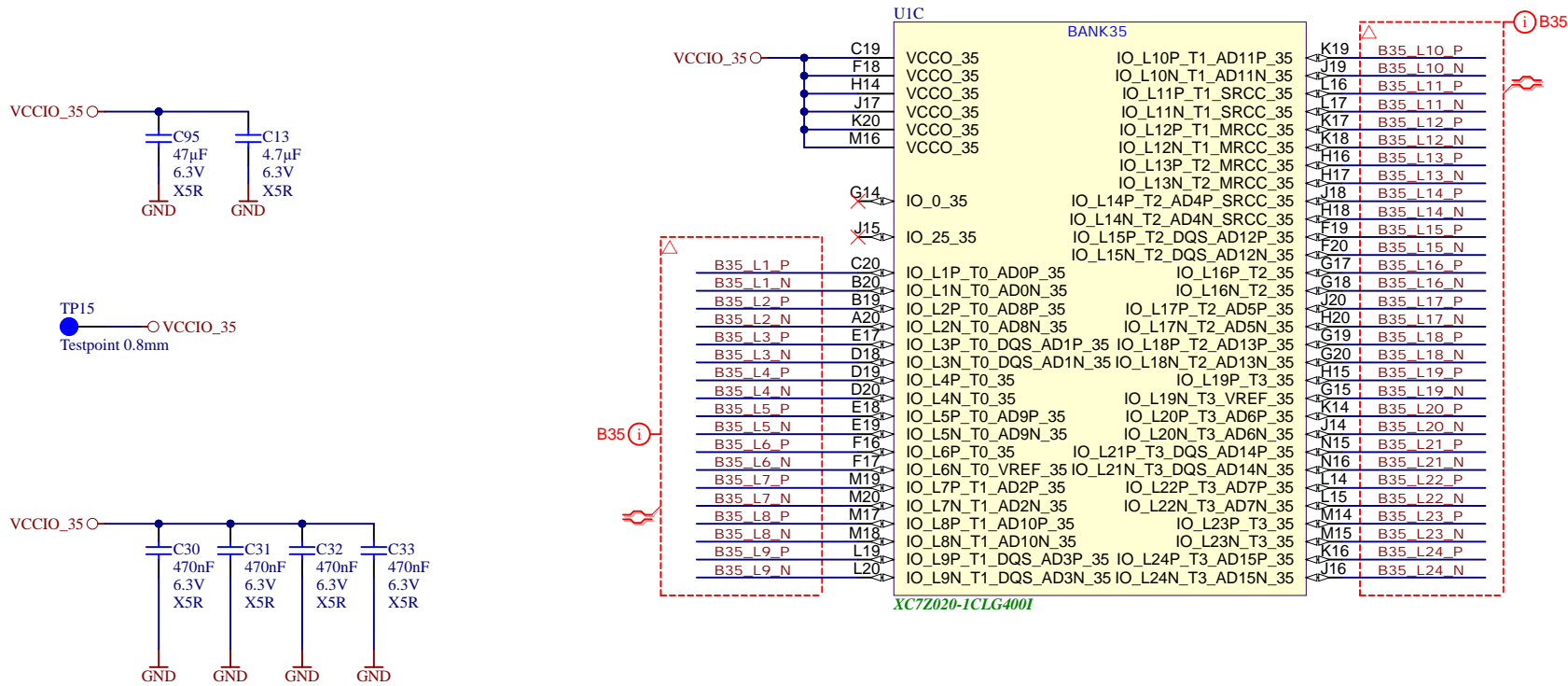
Title: TE0724 - Zynq_MISC		
A4	Number: TE0724 61132-AZ	Rev. 04
Date: 07.09.2020	Copyright: Trenz Electronic GmbH / TT	Page 4 of 17
Filename: ZYNQ_MISC.SchDoc		




	Title: TE0724 - Zynq_B13		
	A4	Number: TE0724 61132-AZ	Rev. 04
	Date: 07.09.2020	Copyright: Trenz Electronic GmbH / TT	Page 5 of 17
	Filename: B13.SchDoc		



Title: TE0724 - Zynq_B34		
A4	Number: TE0724 61132-AZ	Rev. 04
Date: 07.09.2020	Copyright: Trenz Electronic GmbH / TT	Page 6 of 17
Filename: B34.SchDoc		



		Title: TE0724 - Zynq_B35	
		A4	Number: TE0724 61132-AZ
Date: 07.09.2020		Copyright: Trenz Electronic GmbH / TT	
Filename: B35.SchDoc		Page 7 of 17	

1

2

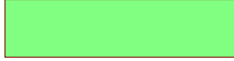
3

4

A

A

U_B13
B13.SchDoc



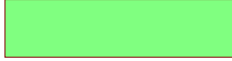
U_B500
MIO_B500.SchDoc



U_B501
MIO_B501.SchDoc



U_PS_DDR
PS-DDR.SchDoc



U_MISC
ZYNQ_MISC.SchDoc



U_B34
B34.SchDoc



U_ZYNQ_POWER
ZYNQ_POWER.SchDoc



U_B35
B35.SchDoc



B

B

C

C

D

D



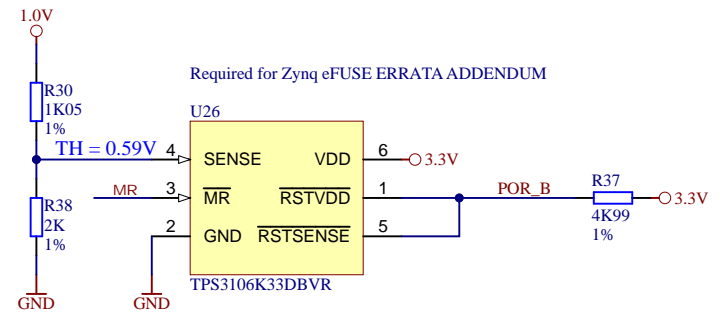
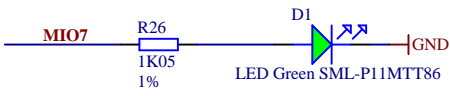
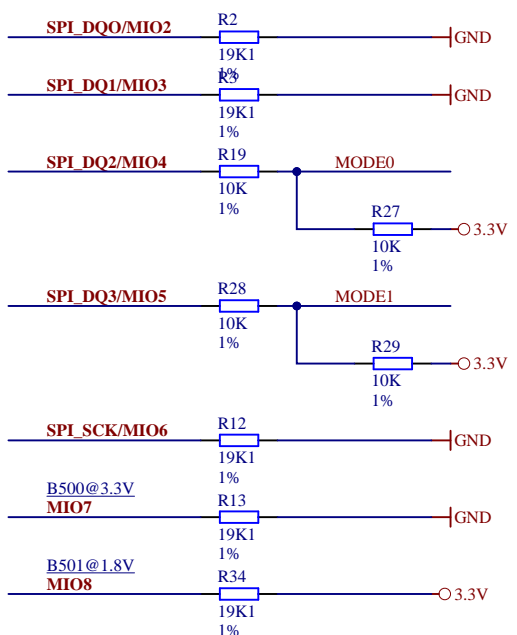
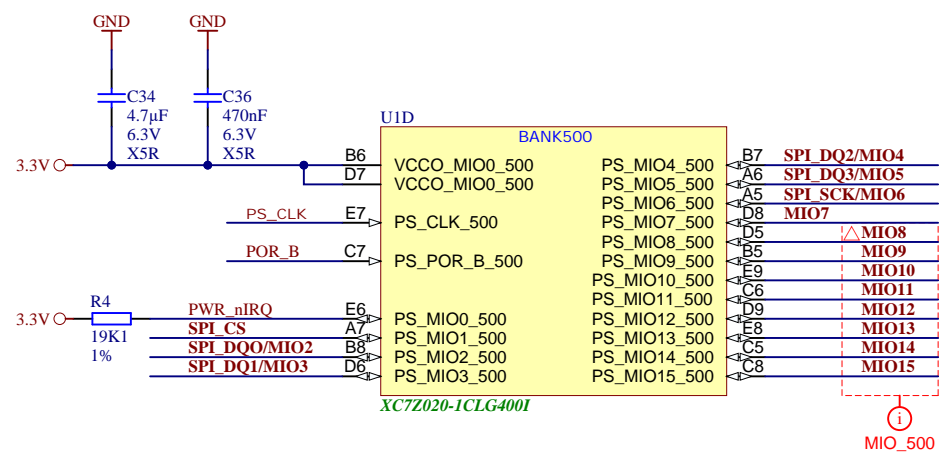
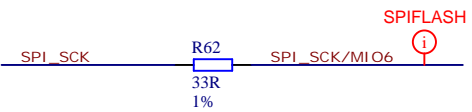
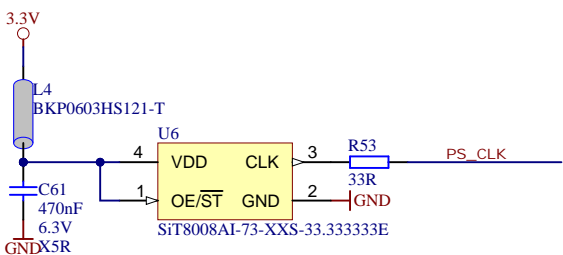
Title: TE0724 - Zynq		
A4	Number: TE0724 61132-AZ	Rev. 04
Date: 04.09.2020	Copyright: Trenz Electronic GmbH / TT	Page 8 of 17
Filename: ZYNQ.SchDoc		

1

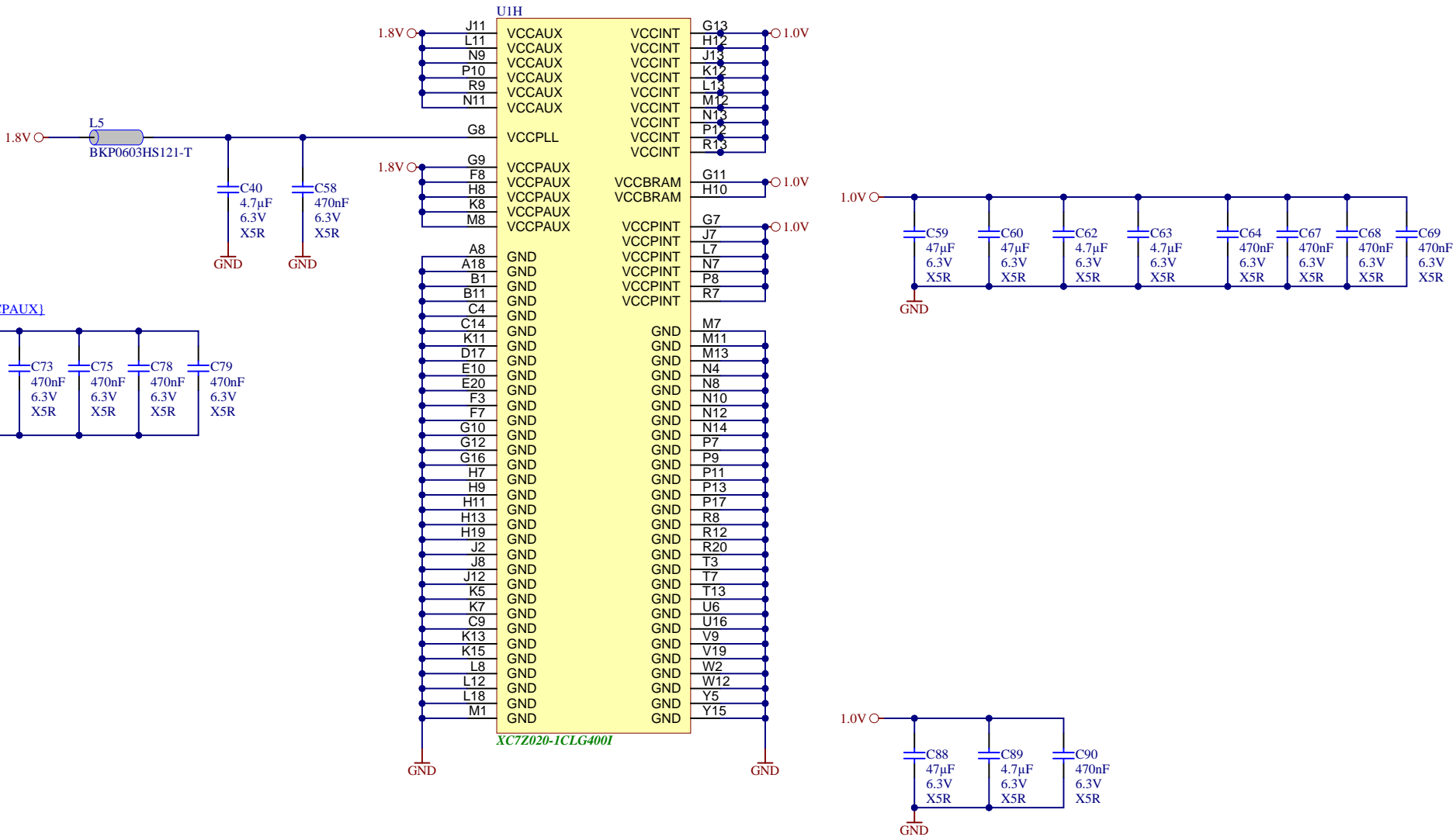
2

3

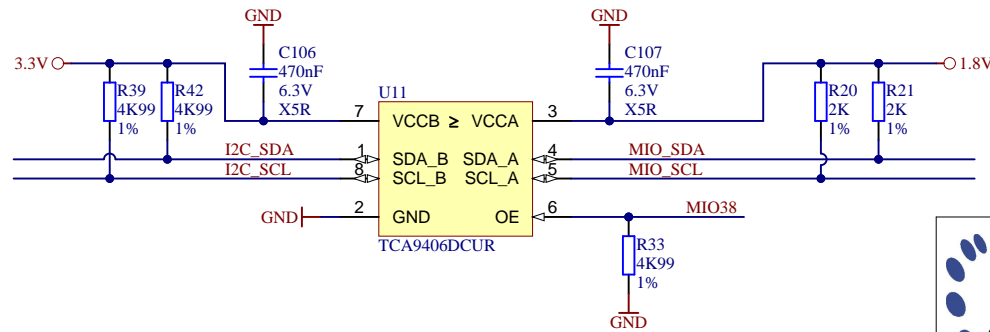
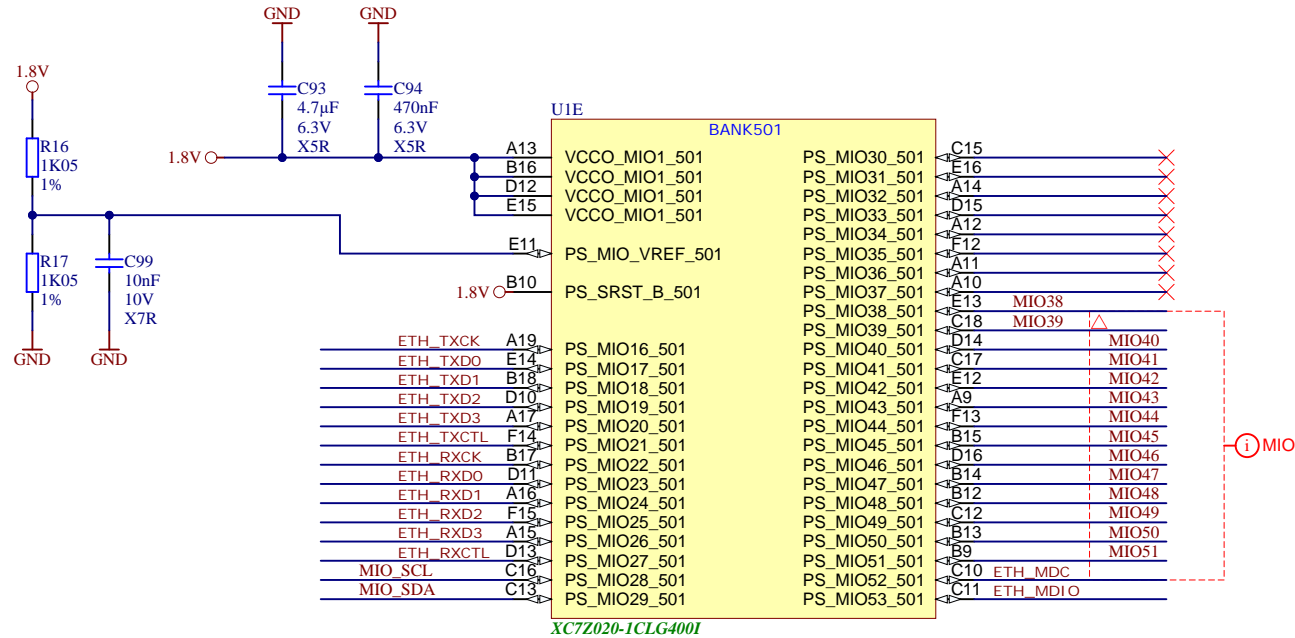
4



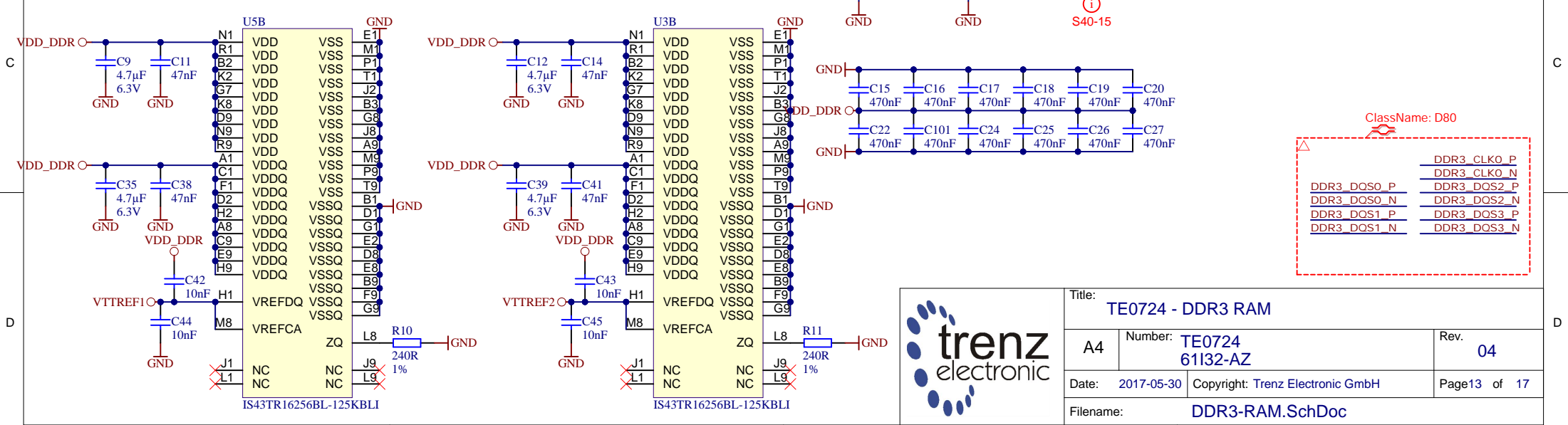
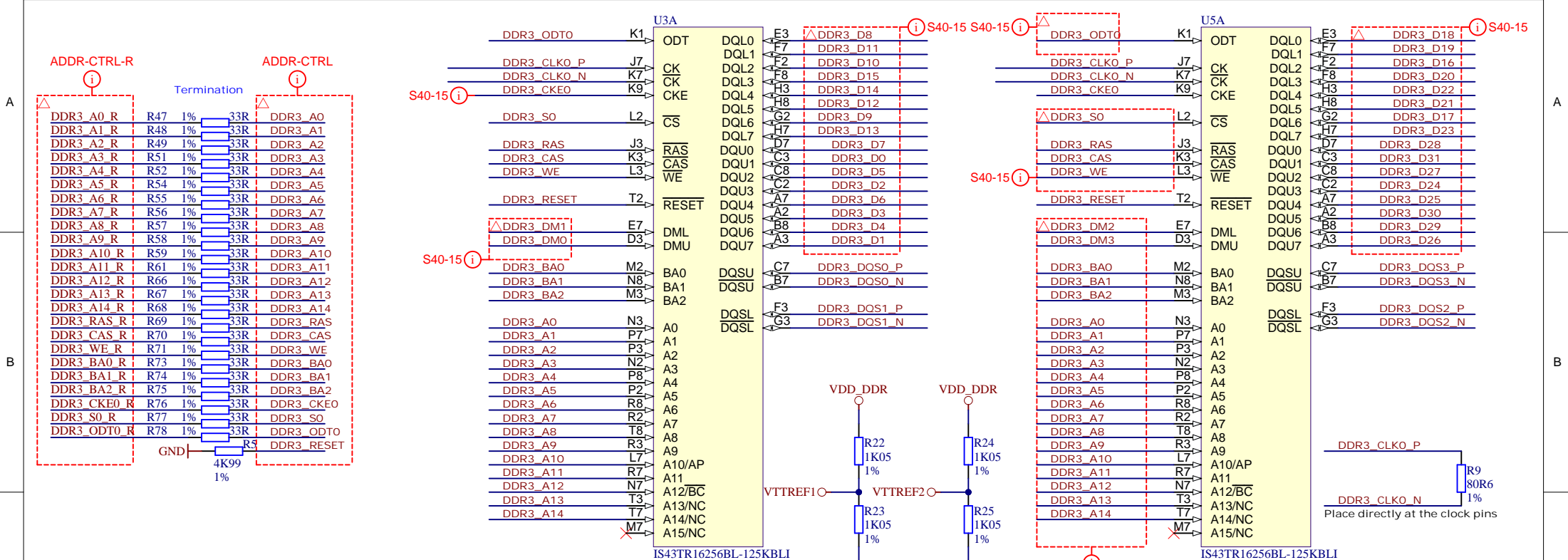
Title: TE0724 - Zynq_MIO_B500		
A4	Number: TE0724 61132-AZ	Rev. 04
Date: 07.09.2020	Copyright: Trenz Electronic GmbH / TT	Page 9 of 17
Filename: MIO_B500.SchDoc		



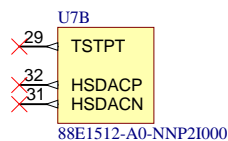
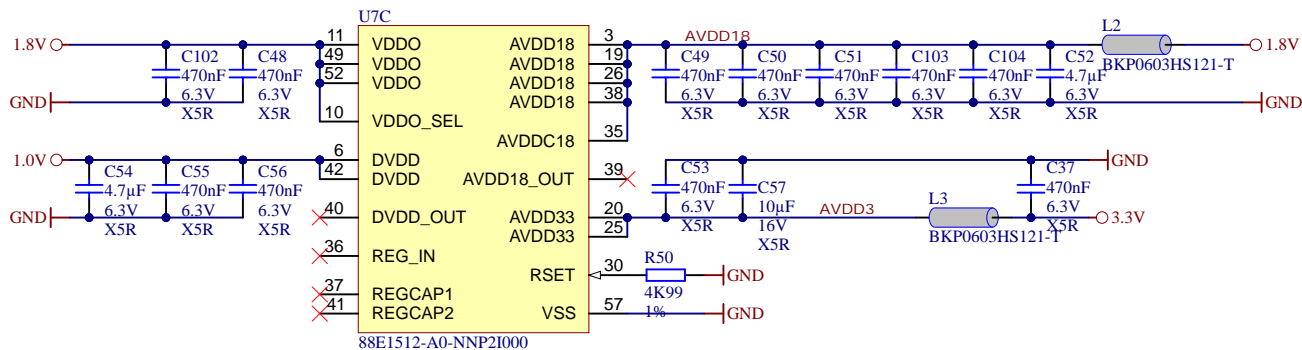
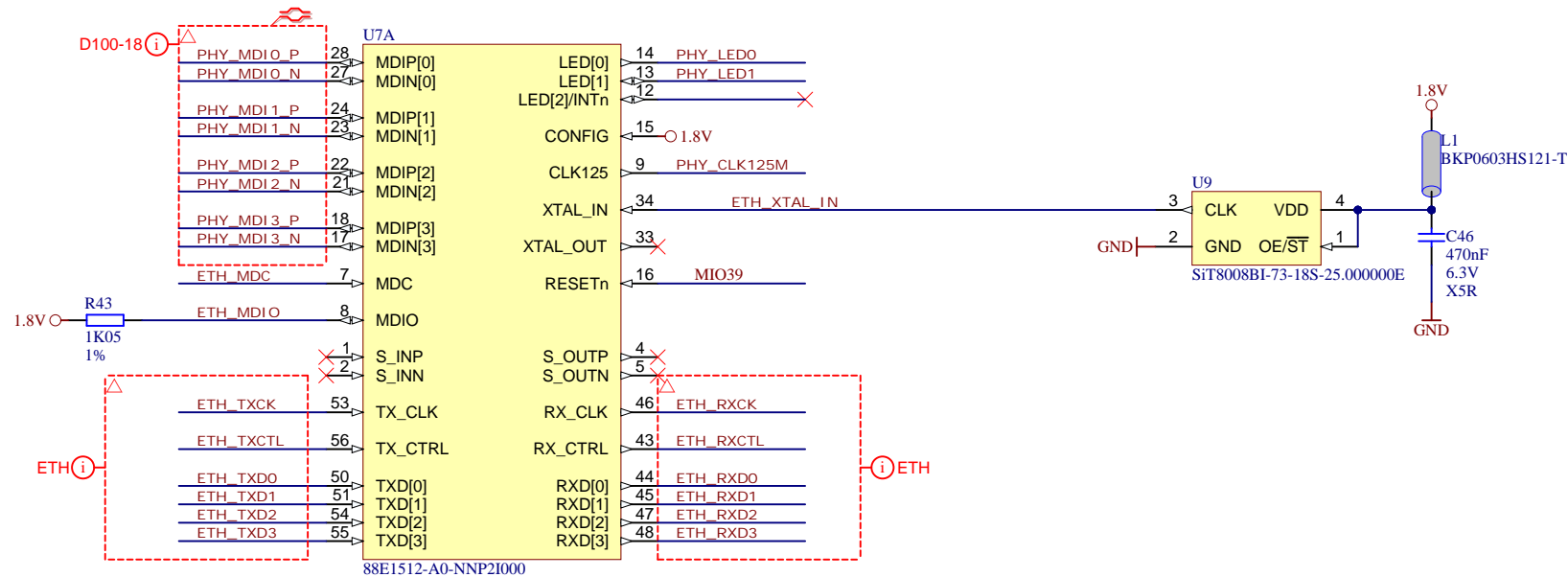
Title: TE0724 - Zynq_Power		
A4	Number: TE0724 61132-AZ	Rev. 04
Date: 07.09.2020	Copyright: Trenz Electronic GmbH / TT	Page 11 of 17
Filename: ZYNC_POWER.SchDoc		




Title: TE0724 - Zynq_MIO_B501		
A4	Number: TE0724 61132-AZ	Rev. 04
Date: 07.09.2020	Copyright: Trenz Electronic GmbH / TT	Page 12 of 17
Filename: MIO_B501.SchDoc		



Title: TE0724 - DDR3 RAM		
A4	Number: TE0724 61132-AZ	Rev. 04
Date: 2017-05-30	Copyright: Trenz Electronic GmbH	
Page 13 of 17		Page 13 of 17
Filename: DDR3-RAM.SchDoc		



		Title: TE0724 - ETH_PHY	
		A4	Number: TE0724 61132-AZ
Date: 07.09.2020		Copyright: Trenz Electronic GmbH / TT	
Filename: ETH-PHY.SchDoc		Page 14 of 17	

1

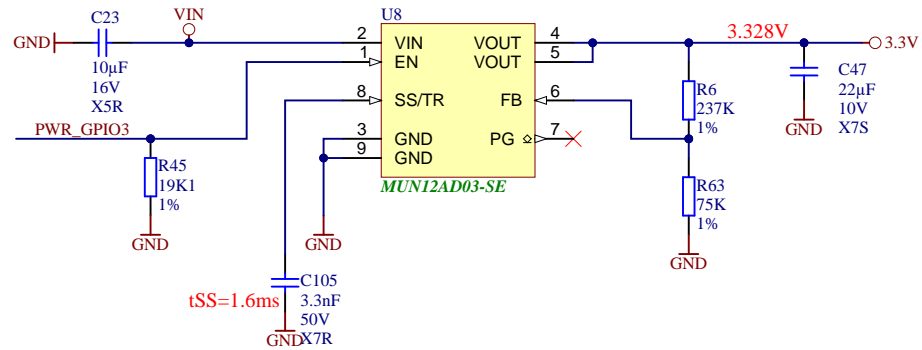
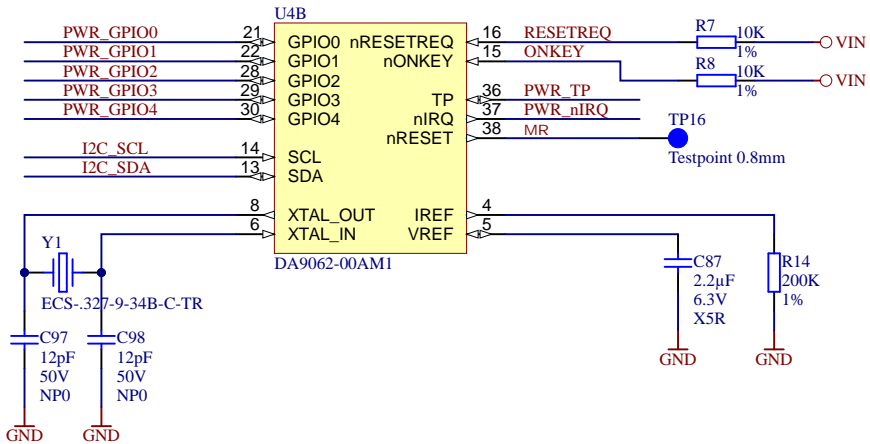
2

3

4

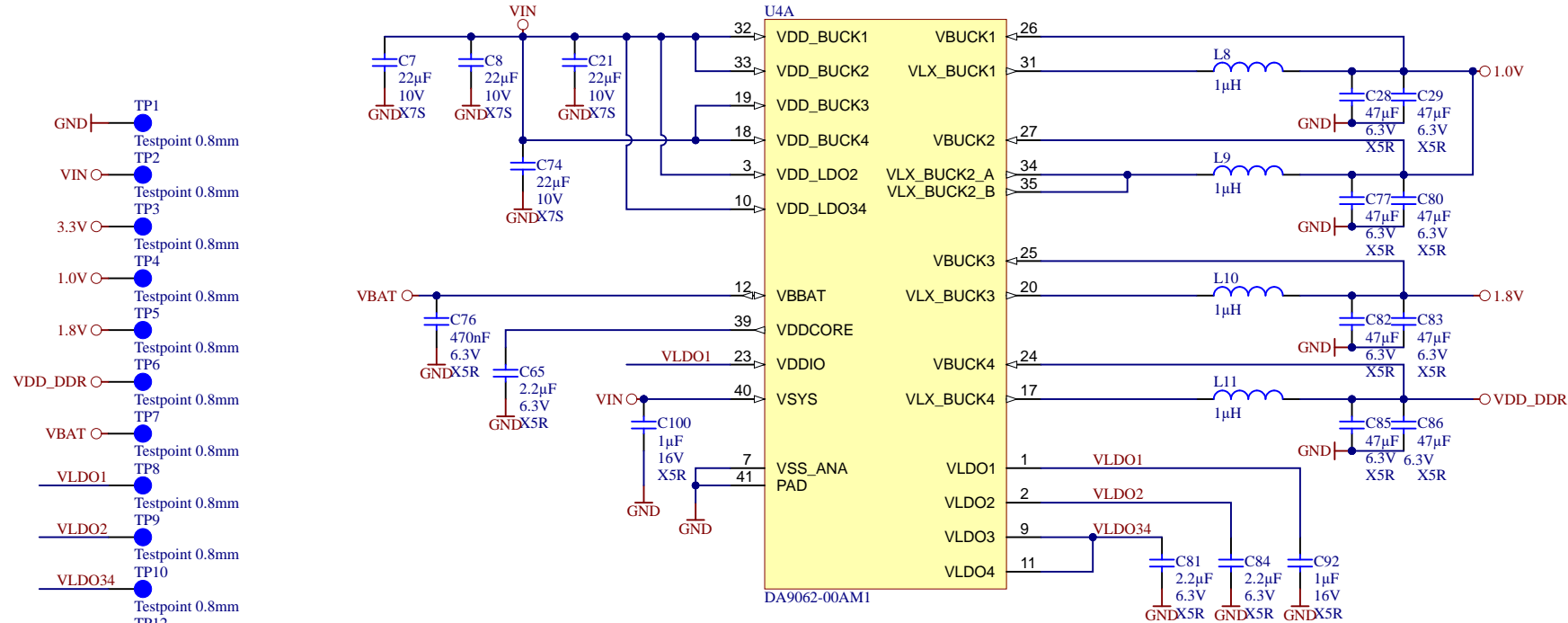
A

A



B

B



C

C

D

D



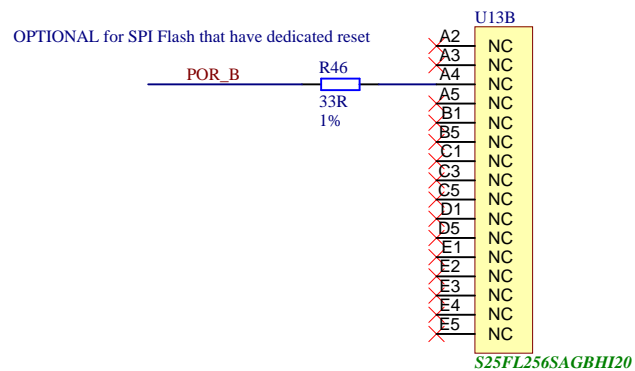
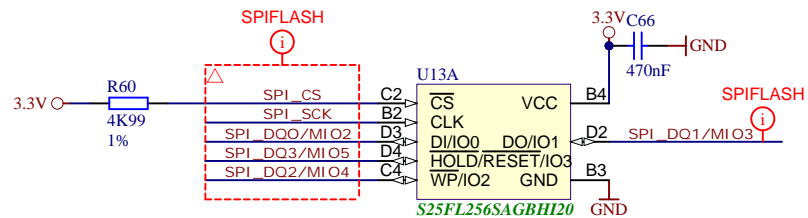
Title: TE0724 - Power		
A4	Number: TE0724 61132-AZ	Rev. 04
Date: 25.02.2022	Copyright: Trenz Electronic GmbH / TT	Page 15 of 17
Filename: POWER.SchDoc		

1

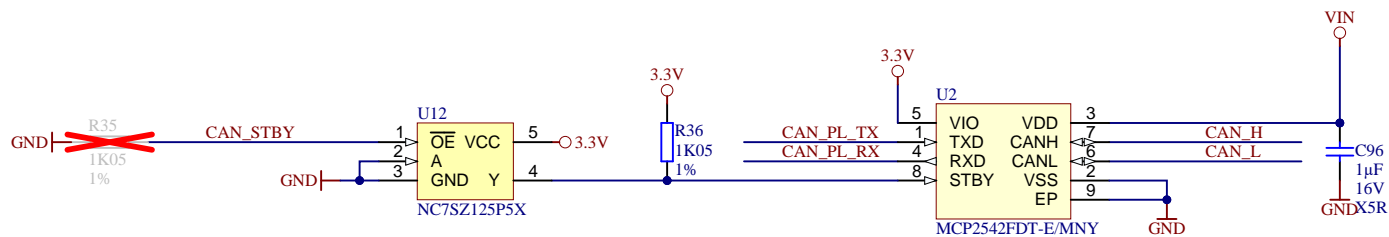
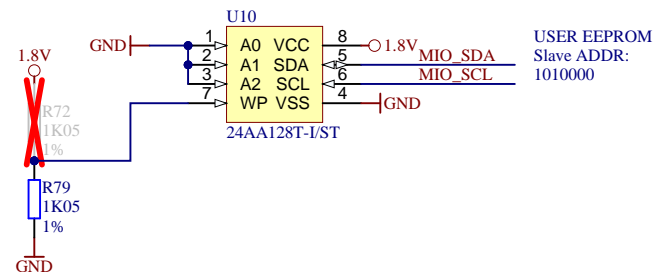
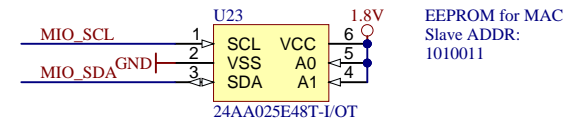
2


3

4



Optional EEPROM Memories



		Title: TE0724 - QSPI MicroSD	
		A4	Number: TE0724 61132-AZ
Date: 07.09.2020		Copyright: Trenz Electronic GmbH / TT	
Filename: QSPI_MicroSD.SchDoc			

1

2

3

4

1

2

3

4

REV02

- 1) New I2C translator U11: TCA9406DCUR
- 2) Fixed boot mode connection. Mode0 pulled-up by R27 and Mode 1 pulled-up by R33
- 3) Green LED D3 replaced to Red LED
- 4) C91 changed from 47 to 22uF
- 5) C3 not fitted
- 6) C105 deleted, C47 replaced from 10 to 22uF (EP53A7HQI output capacitor)
- 7) PWR_GPIO3 (EP53A7HQI enable) pulled down by R45 (19.1 kOhm)
- 8) DONE, INIT, PROG_B pulled-up to 3.3V
- 9) Added testpoints: JTAG, PMIC (I2C, ONKEY, TP)
- 10) J2 changed to 2 row 6-pin header. To J2 added ONKEY, PWR_TP, VIN
- 11) Mounting holes changed from 2mm to 2.2mm

REV02A

- 1) PCB revision: all vias are epoxy filled and copper capped. No mask openings on vias. No electrical changes

REV03


- 1) Replace DCDC U8 by TPS82140

21.02.2020 MR

- 2) update from Lib (Sch symbol of I2C levelshifter corrected)

REV04

- 1) Replaced I2C pullups by 2K R20 and R21.
- 2) Connected WP (pin 7) of EEPROM (U10) via R79 to GND, alternative R72 can be assembled for write protection.
- 3) Changed C7, C8, C21, C47, C74, C91 to same size X7S.
- 4) Moved following components slightly away from FPGA: C28, C29, C77, C80, R2, R12, R18, R43, R47, R51, R54, R57, R62, L8, L9.
- 5) Replaced DDR3 from IM4G16D3FABG-125I to IS43TR16256BL-125KBLI
- 6) Replaced Flash from S25FL256SAGBHI20 to IS25LP512M-RHLE
- 7) Set S/N to not fitted.
- 8) Added legal notices for Trenez modules.
- 9) Full update from Library.

	Title: TE0724 - Revision changes		
	A4	Number: TE0724 61132-AZ	Rev. 04
	Date: 07.09.2020	Copyright: Trenz Electronic GmbH / TT	Page 17 of 17
	Filename: Revision changes.SchDoc		