

1

2

3

4

U\_B2B\_Connectors  
B2B\_Connectors.SchDoc



Ethernet  
Ethernet.SchDoc



U\_VG\_CONN  
VG\_CONN.SchDoc



U\_POWER  
POWER.SchDoc



U\_LED\_SW\_BUT  
LED\_SW\_BUT.SchDoc



U\_USB  
USB.SchDoc



PM1



PM2



PM3



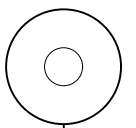
PM4



PM5

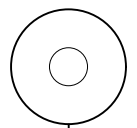


PM6



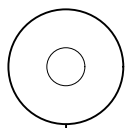
GND

Mount.Hole 3.2mm



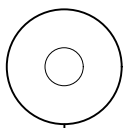
GND

Mount.Hole 3.2mm



GND

Mount.Hole 3.2mm



GND

Mount.Hole 3.2mm

LOGO1



LOGO PRINT



Title: Overview		
A4	Number: TEB0729 [No Variations]	Rev. 01
Date: 6/29/2015	Copyright: Trenz Electronic GmbH	Page 1 of 7
Filename: TEB0729.SchDoc		

1

2

3

4

A

A

B

B

C

C

D

D

A

A

B

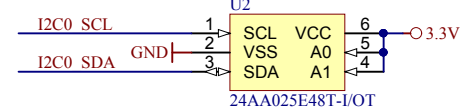
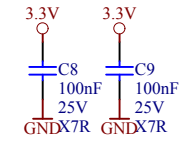
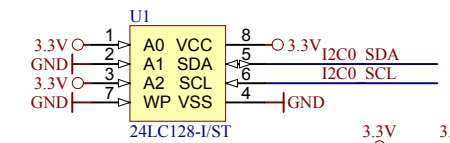
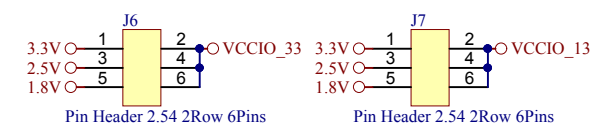
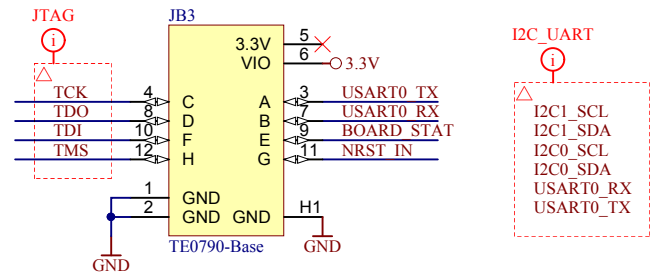
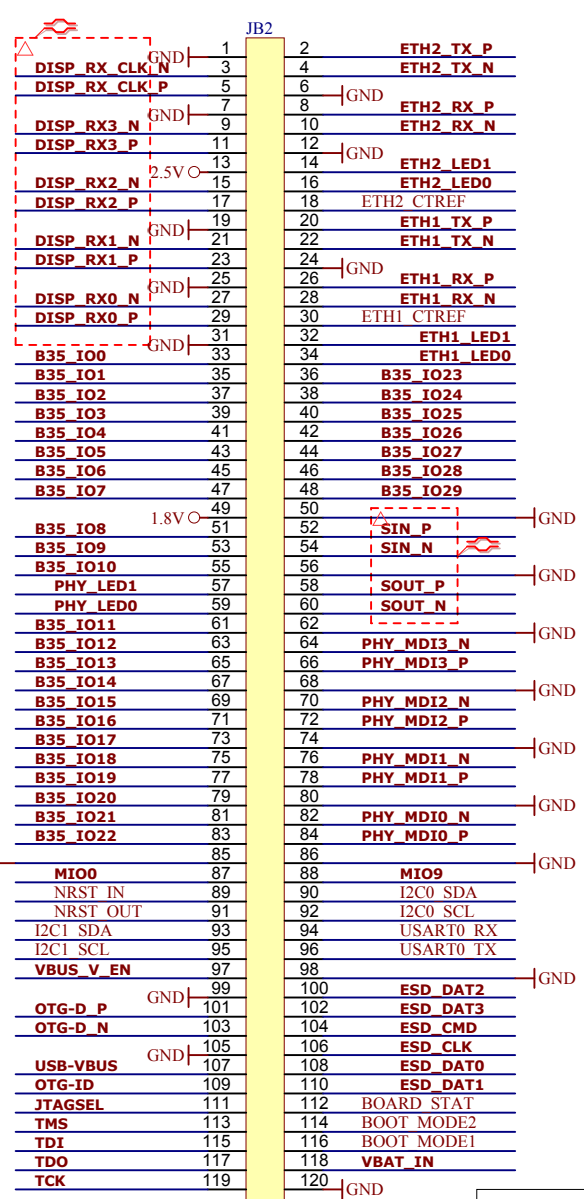
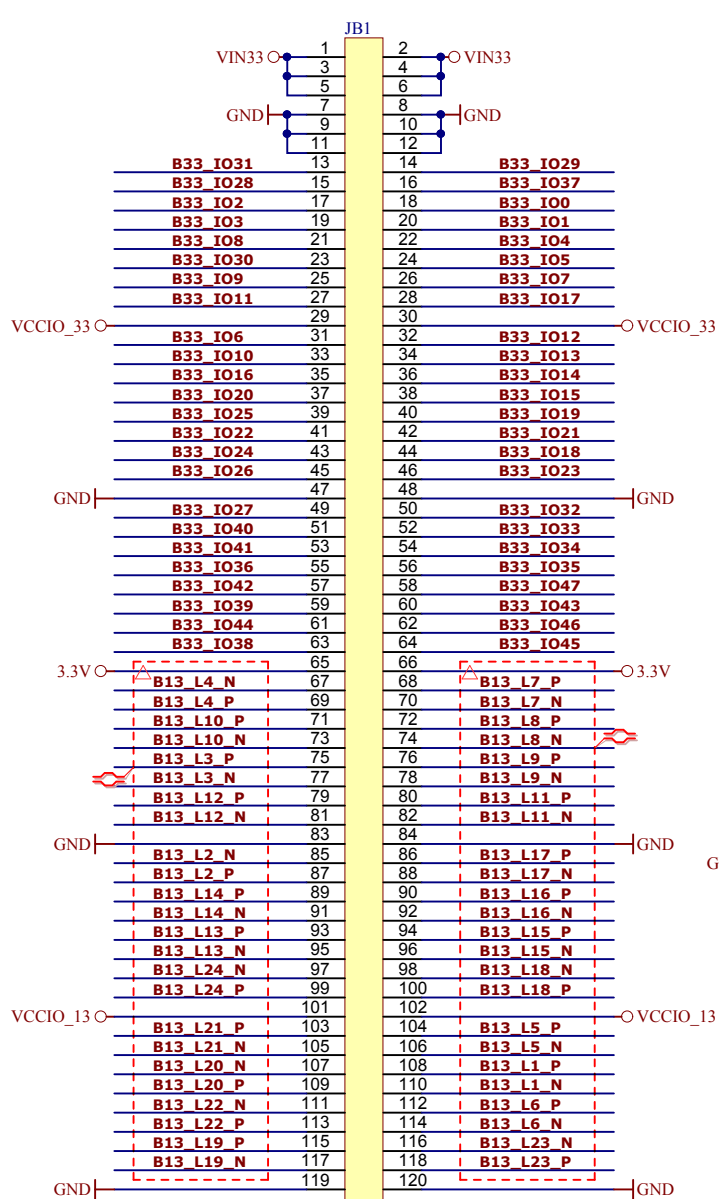
B

C

C

D

D



I2C0 ADDRESSING:

- 1010 000\_ 1 EEPROM
- 1010 001\_ 2 EEPROM
- 1010 010\_ 3 EEPROM
- 1010 011\_ BB 2K EEPROM
- 1010 101\_ BB 128K EEPROM
- 1101 111\_ RTC
- 1010 111\_ SRAM



Title: <b>B2B Connector</b>		
A4	Number: <b>TEB0729</b> [No Variations]	Rev. <b>01</b>
Date: 6/29/2015	Copyright: Trenz Electronic GmbH	Page2 of 7
Filename: <b>B2B_Connectors.SchDoc</b>		

1

2

3

4

A

A

B

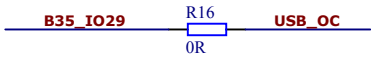
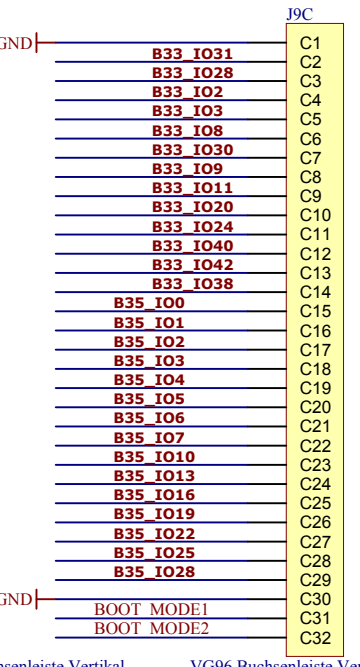
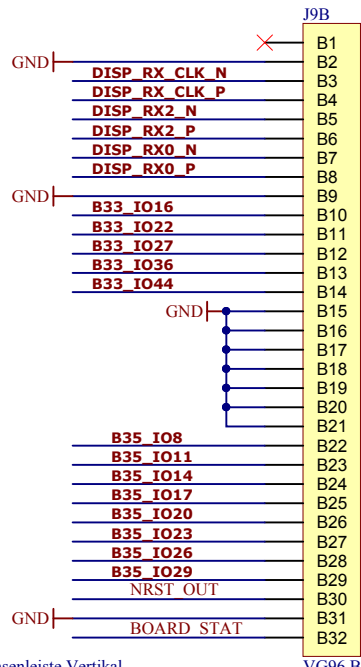
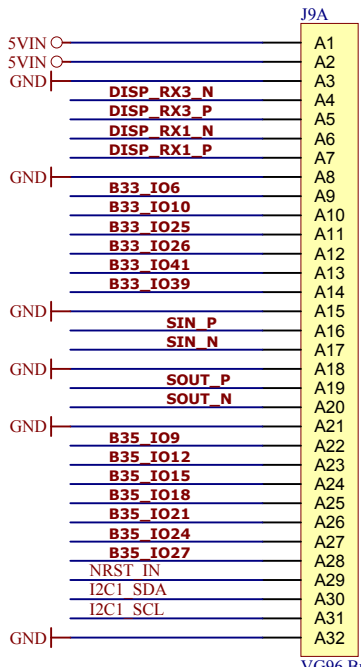
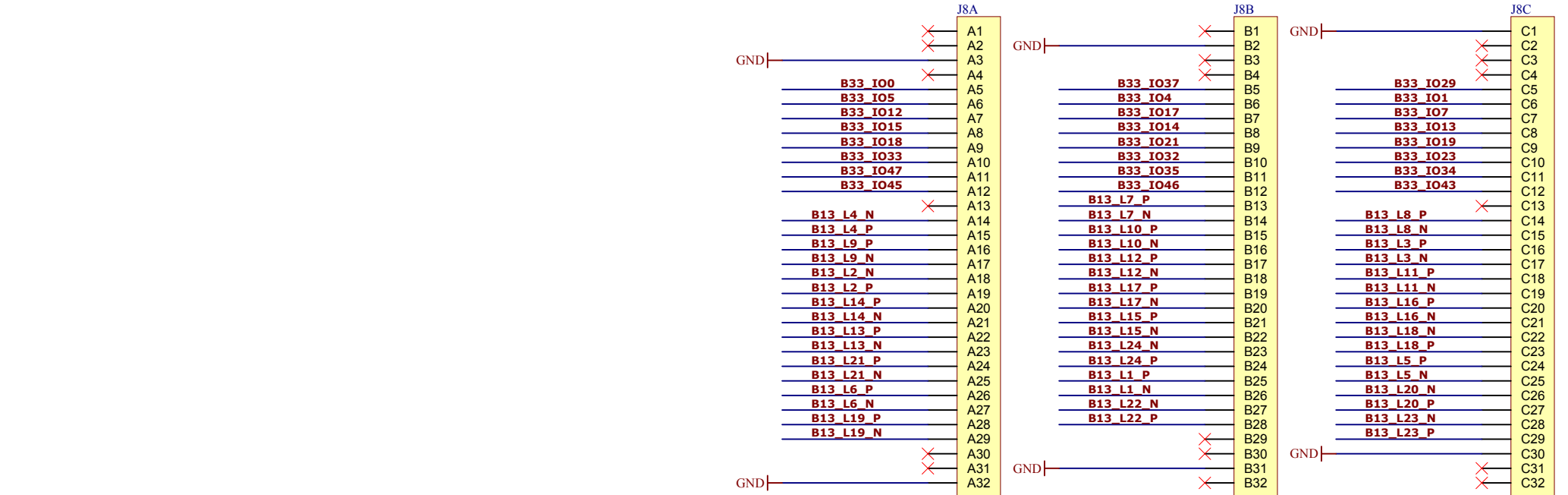
B

C

C

D

D



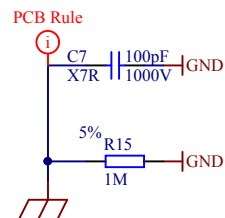
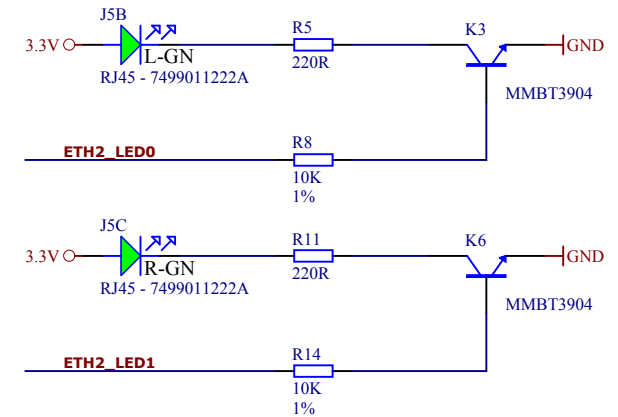
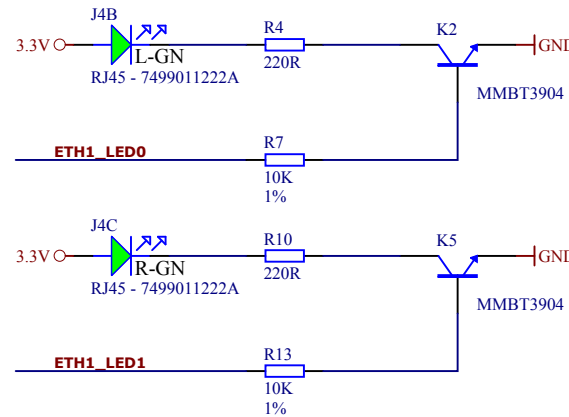
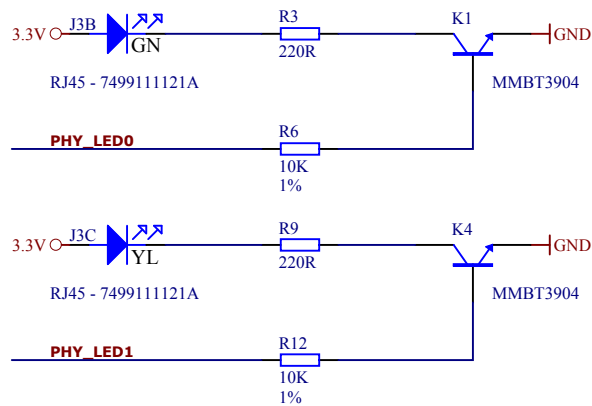
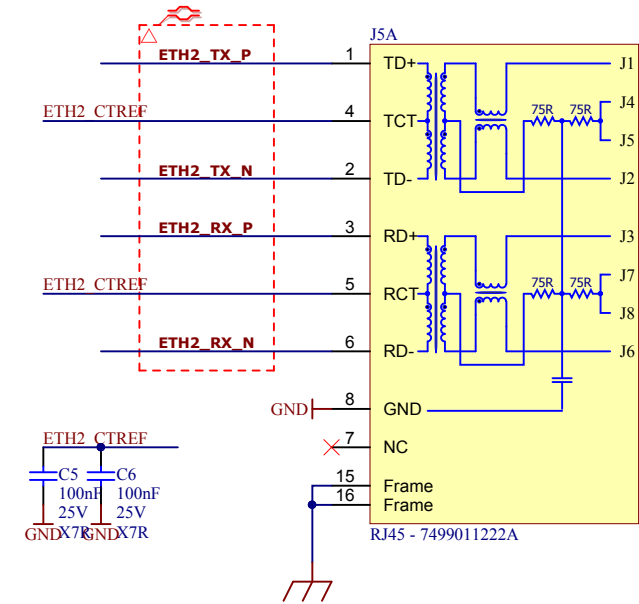
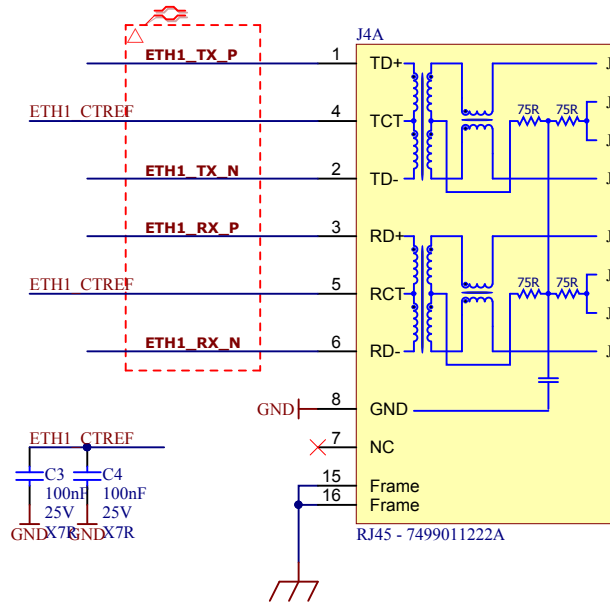
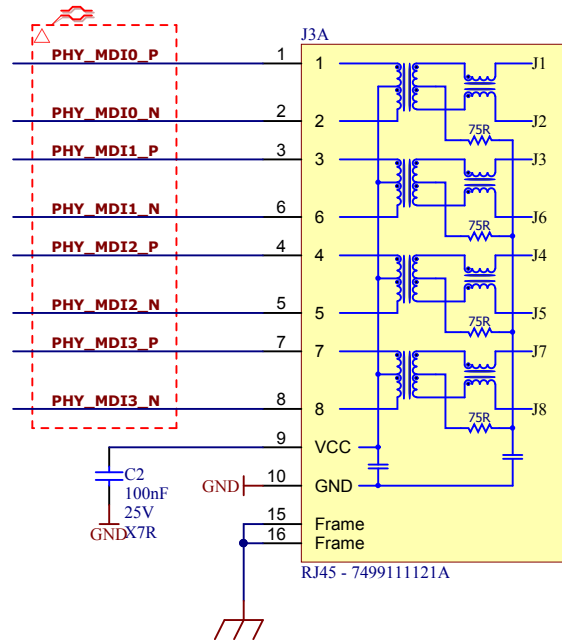
Title: External Connector		
A4	Number: TEB0729 [No Variations]	Rev. 01
Date: 6/29/2015	Copyright: Trenz Electronic GmbH	Page3 of 7
Filename: VG_CONN.SchDoc		

1

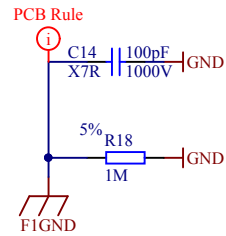
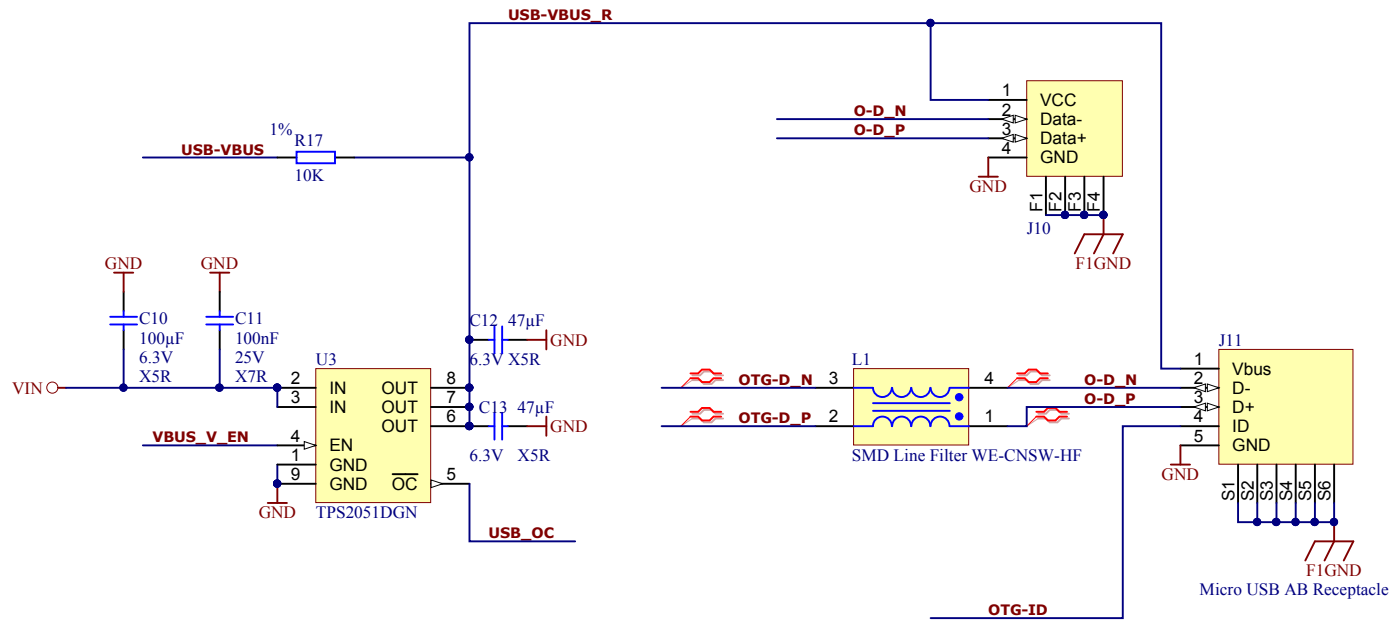
2

3

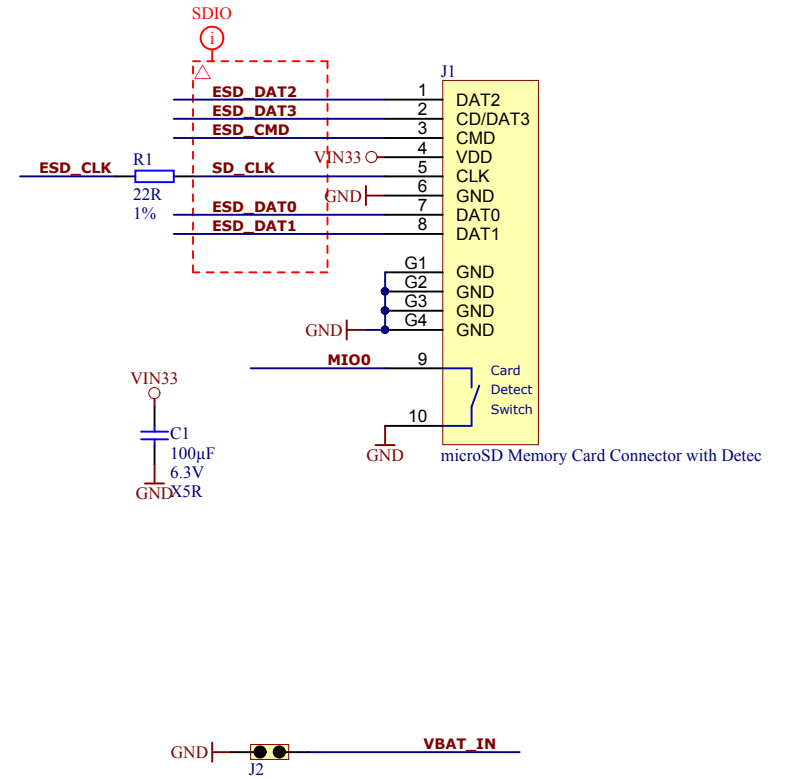
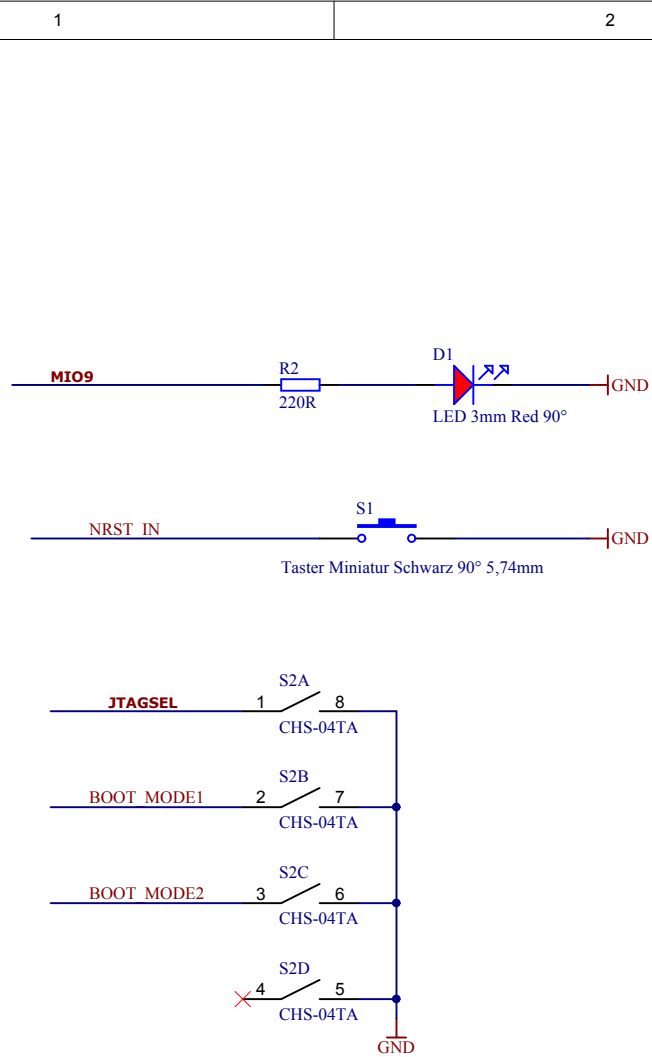
4



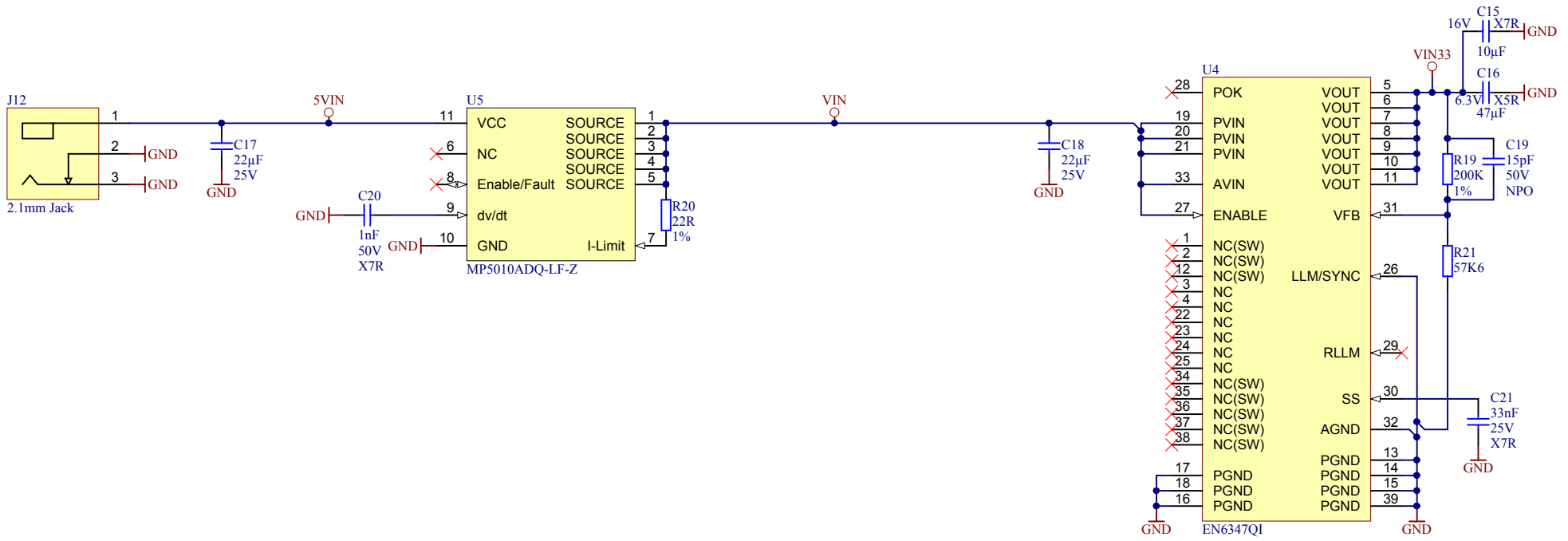
Title: Ethernet		
A4	Number: TEB0729 [No Variations]	Rev. 01
Date: 6/29/2015	Copyright: Trenz Electronic GmbH	Page4 of 7
Filename: Ethernet.SchDoc		




	Title: <b>USB</b>		
	A4	Number: <b>TEB0729</b> [No Variations]	Rev. <b>01</b>
	Date: 6/29/2015	Copyright: Trenz Electronic GmbH	Page5 of 7
	Filename: <b>USB.SchDoc</b>		



	Title: LED-Switch-SD		
	A4	Number: TEB0729 [No Variations]	Rev. 01
	Date: 6/29/2015	Copyright: Trenz Electronic GmbH	Page 6 of 7
	Filename: LED_SW_BUT.SchDoc		



		Title: <b>Power</b>	
		A4	Number: <b>TEB0729</b> [No Variations]
Date: 6/29/2015		Copyright: Trenz Electronic GmbH	
Filename: <b>POWER.SchDoc</b>		Page 7 of 7	