

1 U_B2B_Connectors
B2B_Connectors.SchDoc



U_POWER
POWER.SchDoc



2 Ethernet
Ethernet.SchDoc



U_LED_SW_BUT
LED_SW_BUT.SchDoc



3 U_VG_CONN
VG_CONN.SchDoc



U_USB
USB.SchDoc



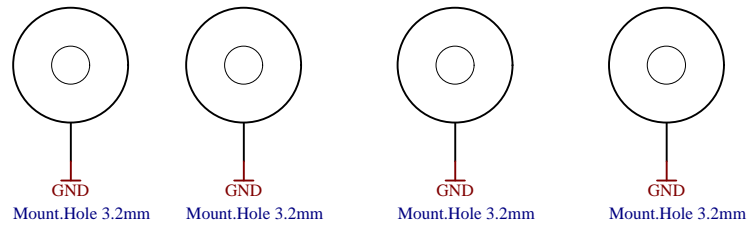
B FIDU-DOT - small FIDU-DOT - small FIDU-DOT - small



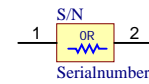
PM1 FIDU-DOT - small PM2 FIDU-DOT - small PM3 FIDU-DOT - small



PM4 PM5 PM6



Serial
Serialnumber 6,3 x 6.3mm



LOGO1
TE Logo PRINT Layer
LOGO PRINT



Title: Overview		
A4	Number: TEB0729 TEB0729-B	Rev. 02
Date: 2016-09-13	Copyright: Trenz Electronic GmbH	Page1 of 8
Filename: TEB0729.SchDoc		

A

A

B

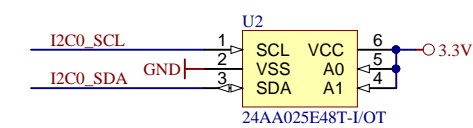
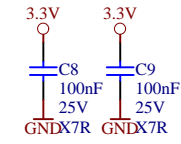
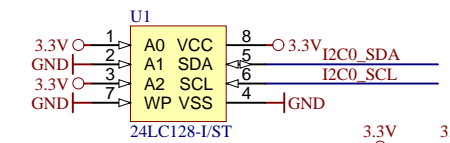
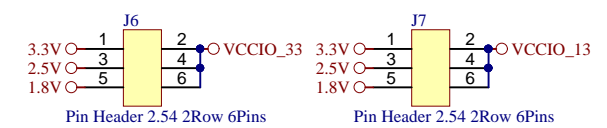
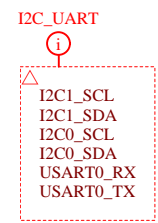
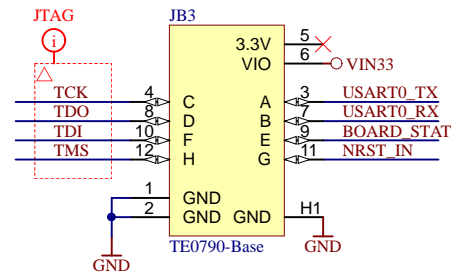
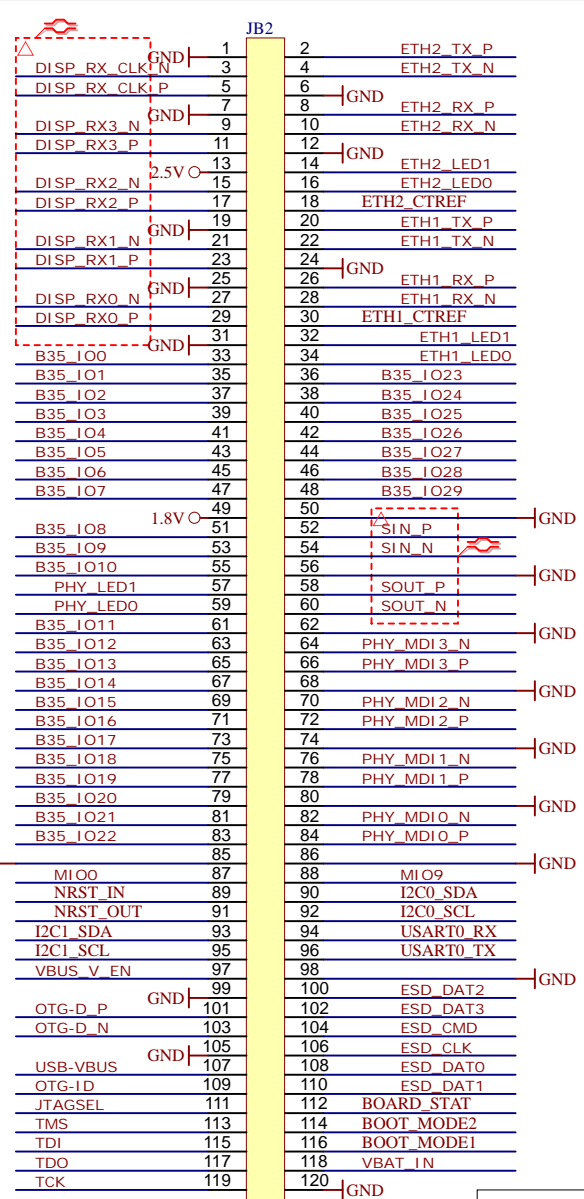
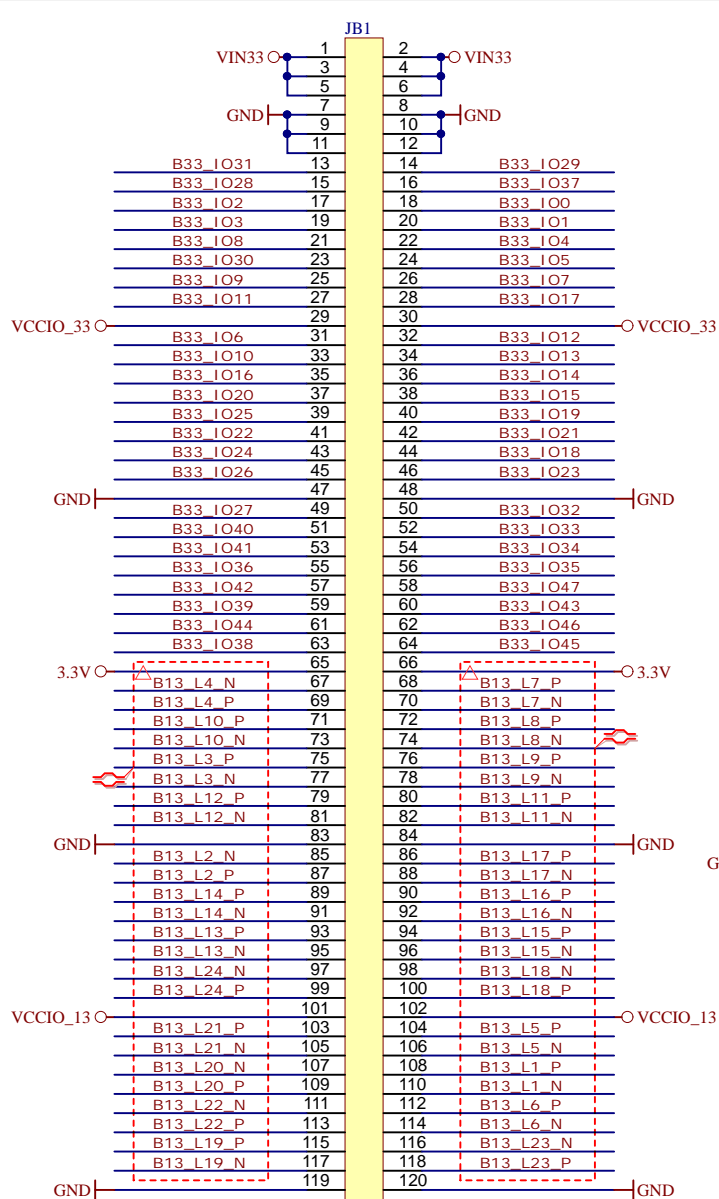
B

C

C

D

D



I2C0 ADDRESSING:

- 1010 000_ 1 EEPROM
- 1010 001_ 2 EEPROM
- 1010 010_ 3 EEPROM
- 1010 011_ BB 2K EEPROM
- 1010 101_ BB 128K EEPROM
- 1101 111_ RTC
- 1010 111_ SRAM



Title: B2B Connector		
A4	Number: TEB0729 TEB0729-B	Rev. 02
Date: 2016-09-13	Copyright: Trenz Electronic GmbH	Page 2 of 8
Filename: B2B_Connectors.SchDoc		

1

2

3

4

A

A

B

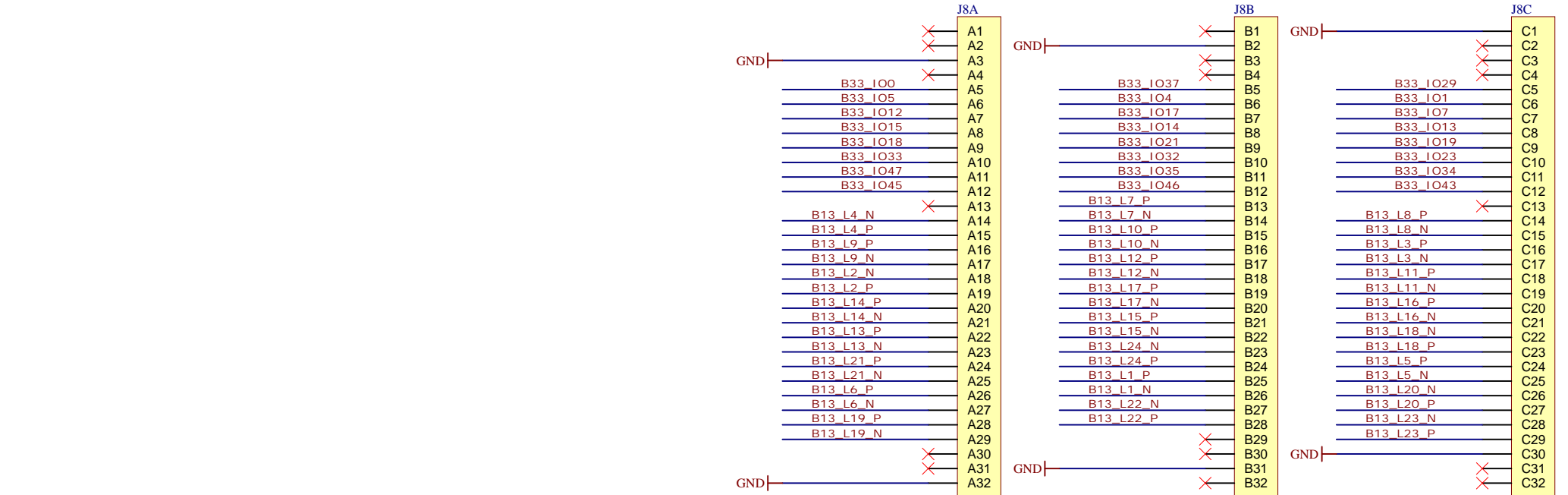
B

C

C

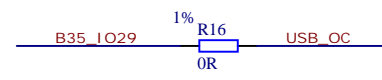
D

D



VG96 Buchsenleiste Vertikal VG96 Buchsenleiste Vertikal VG96 Buchsenleiste Vertikal

VG96 Buchsenleiste Vertikal VG96 Buchsenleiste Vertikal VG96 Buchsenleiste Vertikal



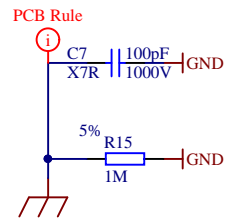
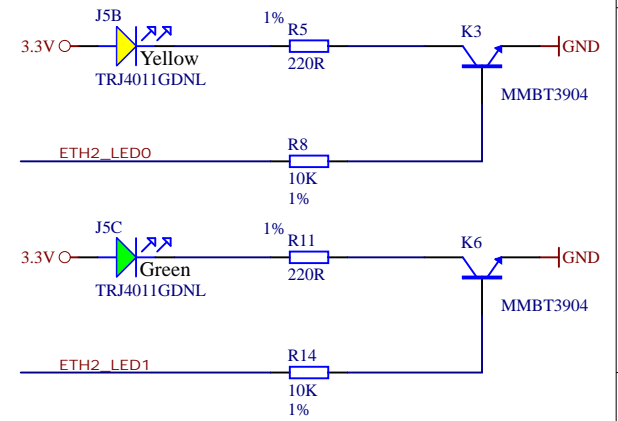
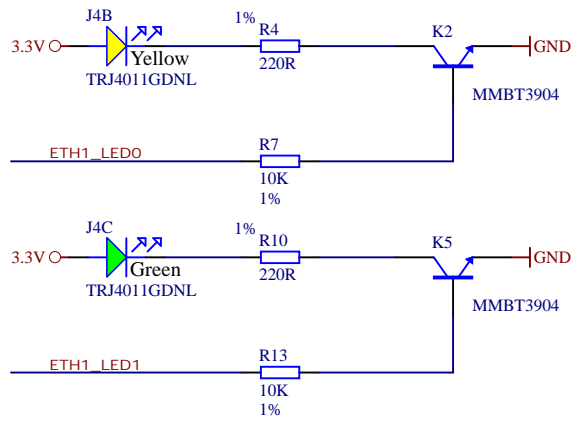
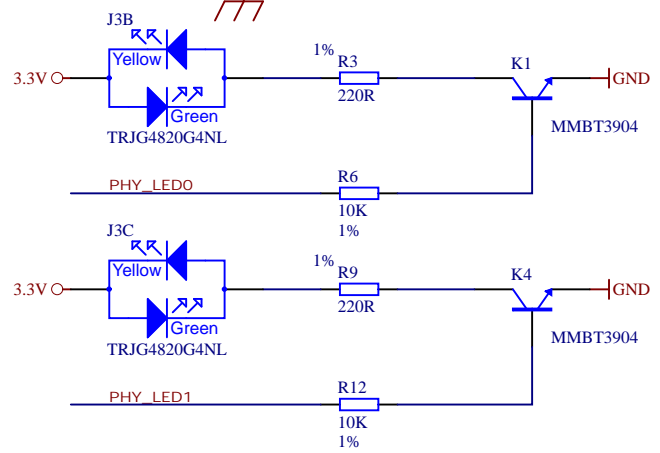
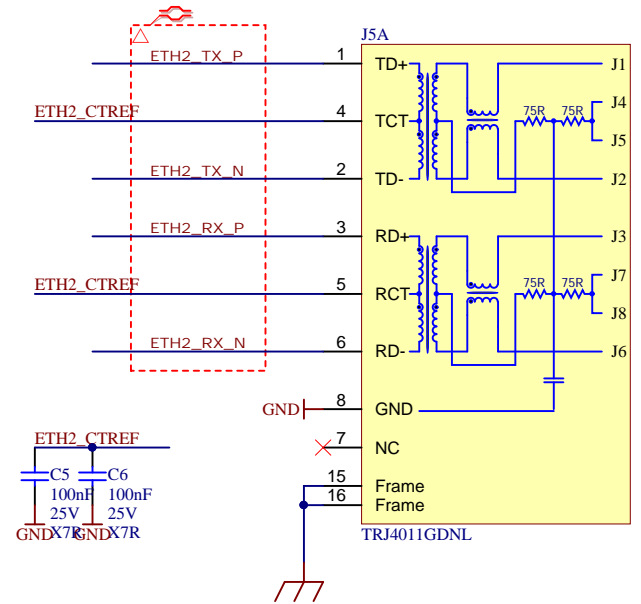
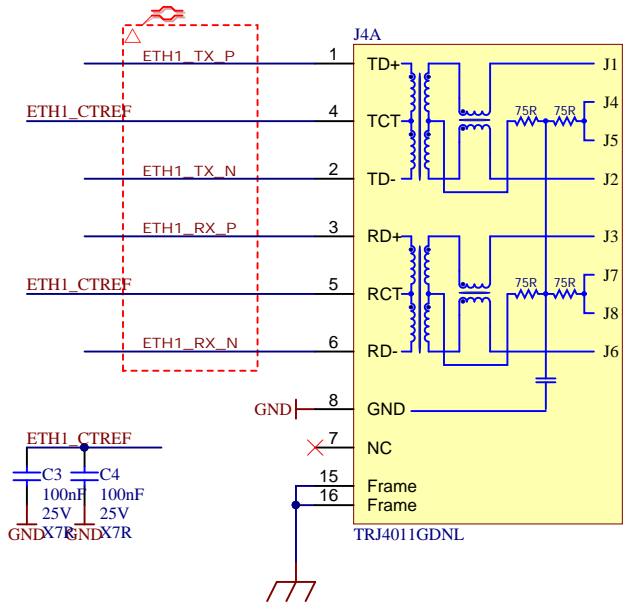
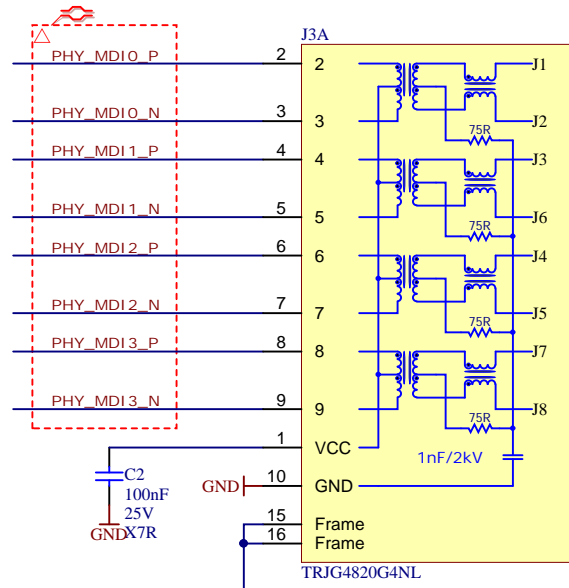
Title: External Connector		
A4	Number: TEB0729 TEB0729-B	Rev. 02
Date: 2016-09-13	Copyright: Trenz Electronic GmbH	Page3 of 8
Filename: VG_CONN.SchDoc		

1

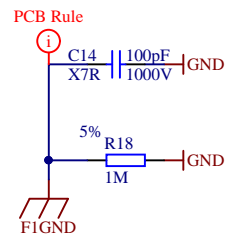
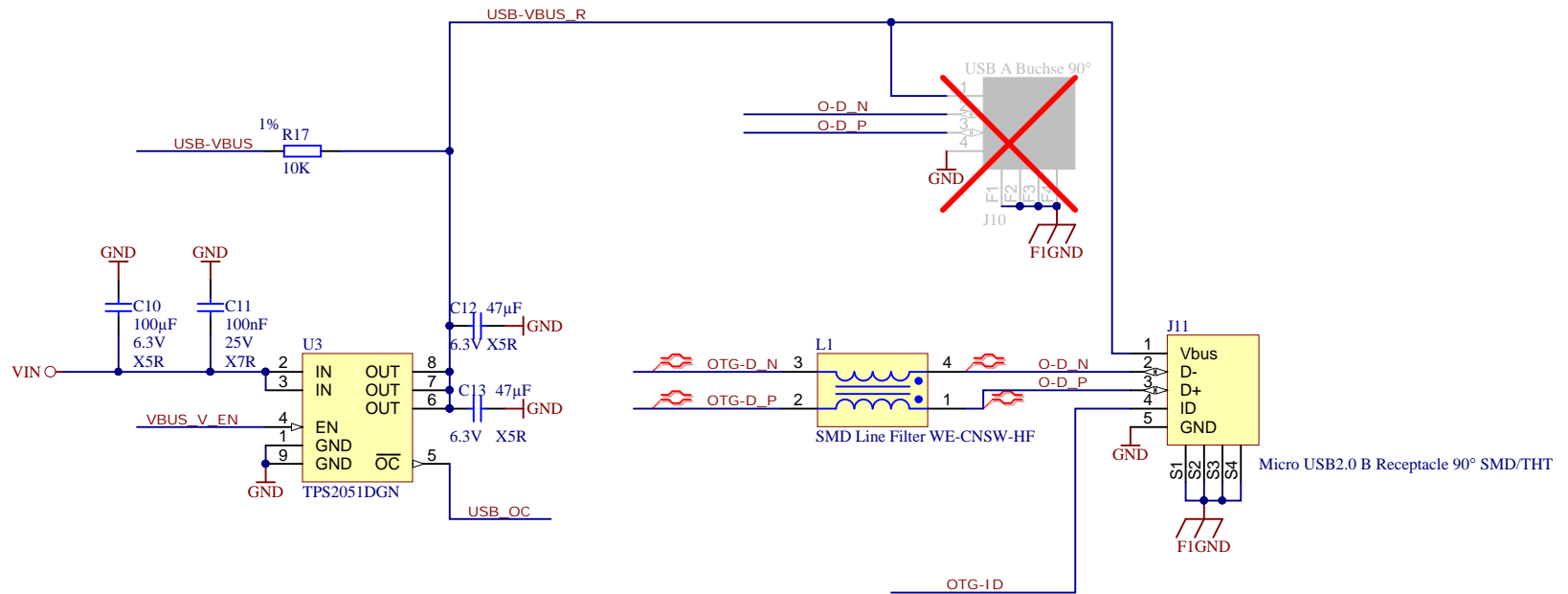
2

3

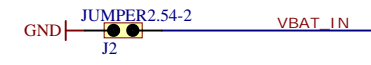
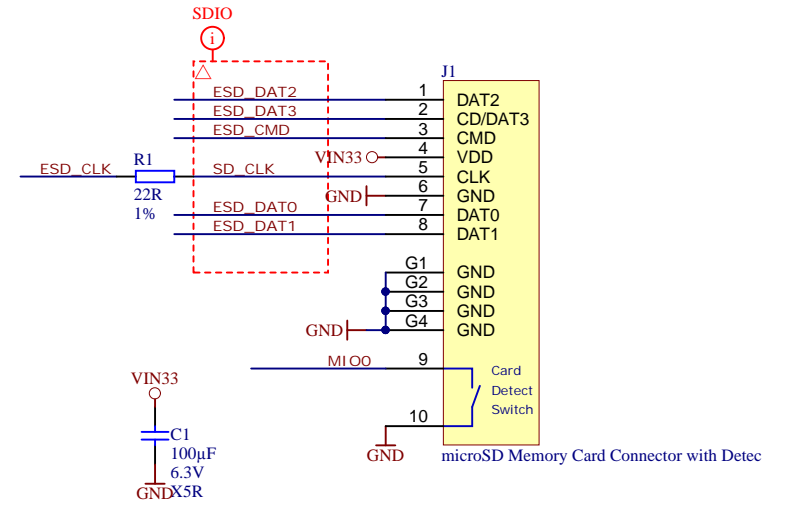
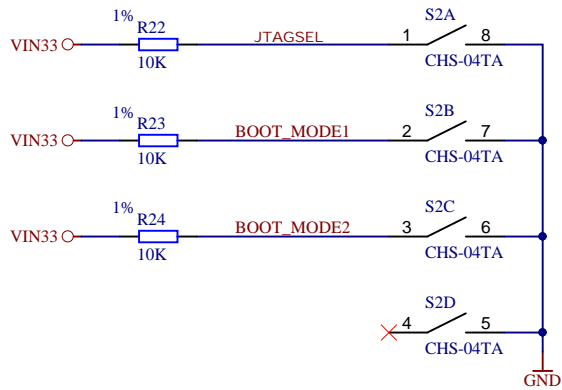
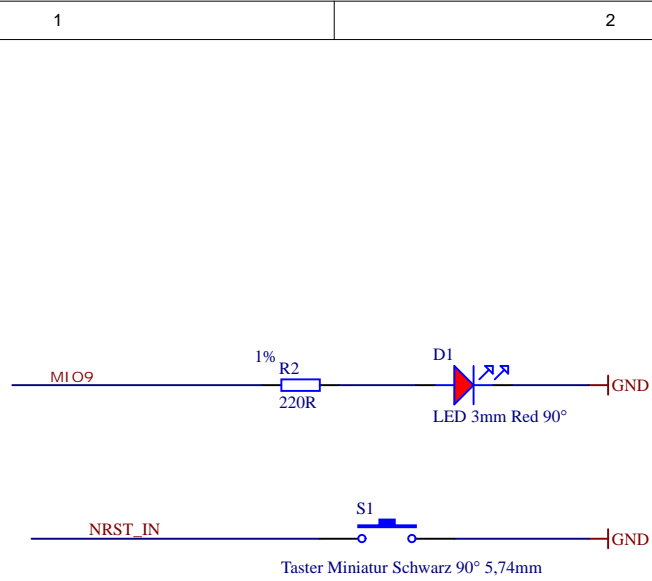
4



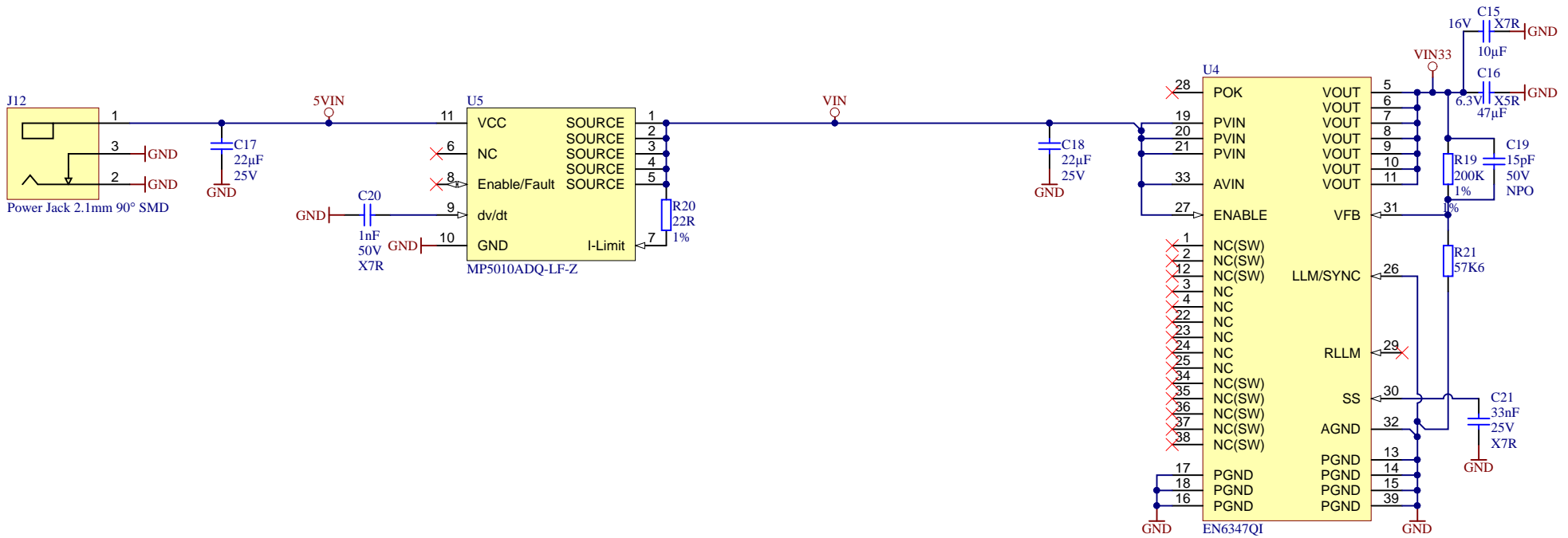
Title: Ethernet		
A4	Number: TEB0729 TEB0729-B	Rev. 02
Date: 2016-09-13	Copyright: Trenz Electronic GmbH	Page 4 of 8
Filename: Ethernet.SchDoc		




	Title: USB	
	A4	Number: TEB0729 TEB0729-B
	Date: 2016-09-13	Rev. 02
	Copyright: Trenz Electronic GmbH	Page 5 of 8
Filename: USB.SchDoc		



	Title: LED-Switch-SD	
	A4	Number: TEB0729 TEB0729-B
	Date: 2016-09-13	Copyright: Trenz Electronic GmbH
	Rev. 02	Page 6 of 8
Filename: LED_SW_BUT.SchDoc		



	Title: Power	
	A4	Number: TEB0729 TEB0729-B
	Date: 2016-09-13	Copyright: Trenz Electronic GmbH
	Filename: POWER.SchDoc	
	Rev. 02	Page 7 of 8

1

2

3

4

CHANGES REV01 to REV02

- 1) changed VCCIO (3.3V -> VIN33) on XMOD
- 2) added pull-up resistors R22..R24 to JTAGSEL, BOOT_MODE1, BOOT_MODE2
- 3) changed micro-USB
- 4) changed magjack connectors
- 5) lib component update
- 6) added thermal vias to mounting holes
- 7) added visual serial number
- 8) changed 2.1mm power jack THT on SMD

A

A

B


B

C

C

D

D

		Title: TE0706 - Changes list		
		A4	Number: TEB0729 TEB0729-B	Rev. 02
		Date: 2016-06-28	Copyright: Trenz Electronic GmbH	Page 8 of 8
		Filename: Revision_Changes.SchDoc		

1

2

3

4