

1

2

3

4

U_B2B_Connectors
B2B_Connectors.SchDoc



Ethernet
Ethernet.SchDoc



U_VG_CONN
VG_CONN.SchDoc



U_POWER
POWER.SchDoc



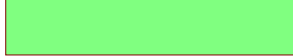
U_LED_SW_BUT
LED_SW_BUT.SchDoc



U_USB
USB.SchDoc



U_CHANGES
Revision_Changes.SchDoc



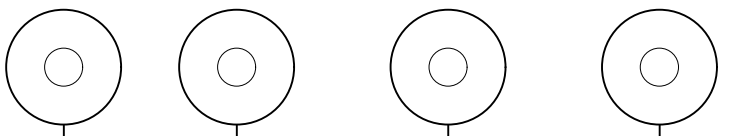
FIDU-DOT - small FIDU-DOT - small FIDU-DOT - small



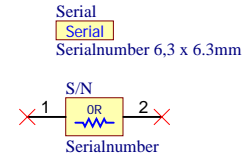
PM1 FIDU-DOT - small PM2 FIDU-DOT - small PM3 FIDU-DOT - small



PM4 PM5 PM6



GND Mount.Hole 3.2mm GND Mount.Hole 3.2mm GND Mount.Hole 3.2mm GND Mount.Hole 3.2mm



LOGO1
TE Logo PRINT Layer
LOGO PRINT



Title: Overview		
A4	Number: TEB0729 TEB0729-A	Rev. 03
Date: 2017-09-29	Copyright: Trenz Electronic GmbH	Page1 of 8
Filename: TEB0729.SchDoc		

1

2

3

4

A

B

C

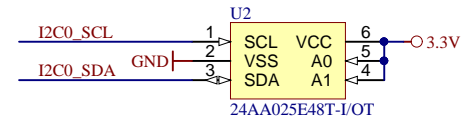
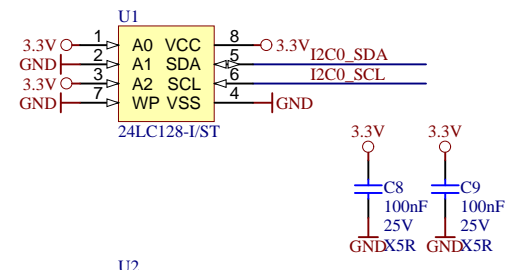
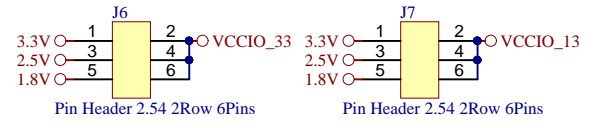
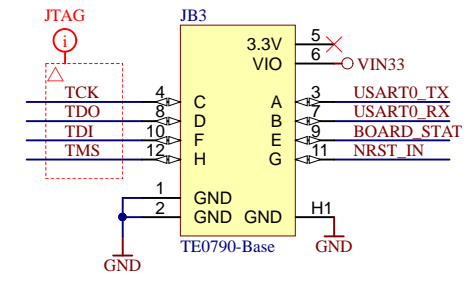
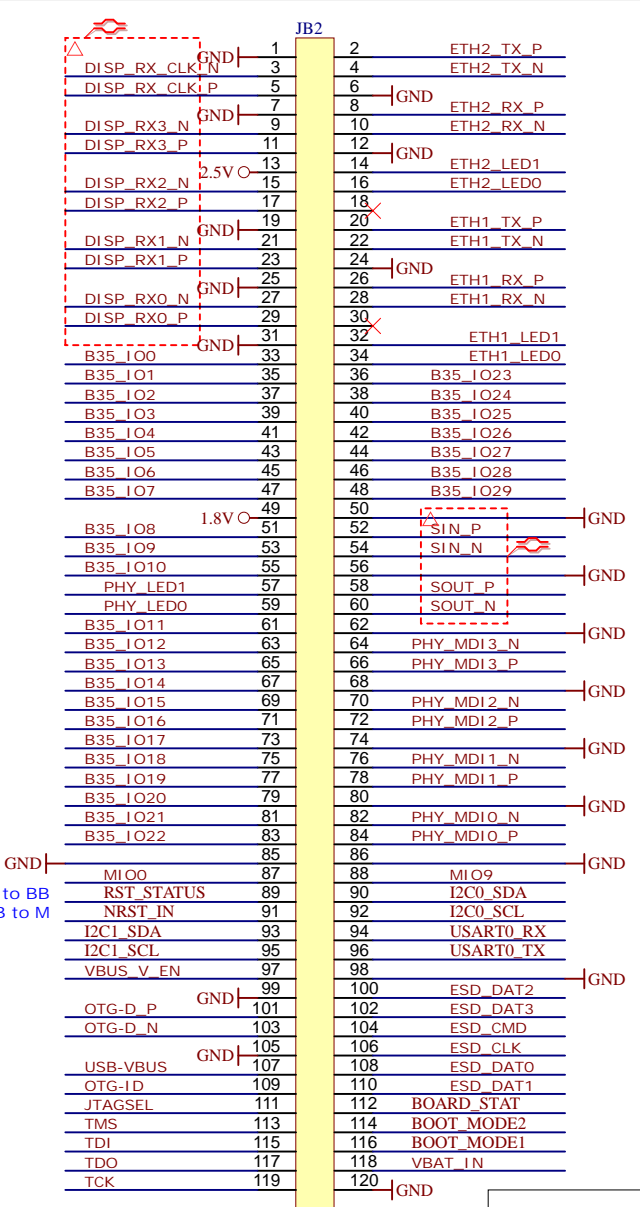
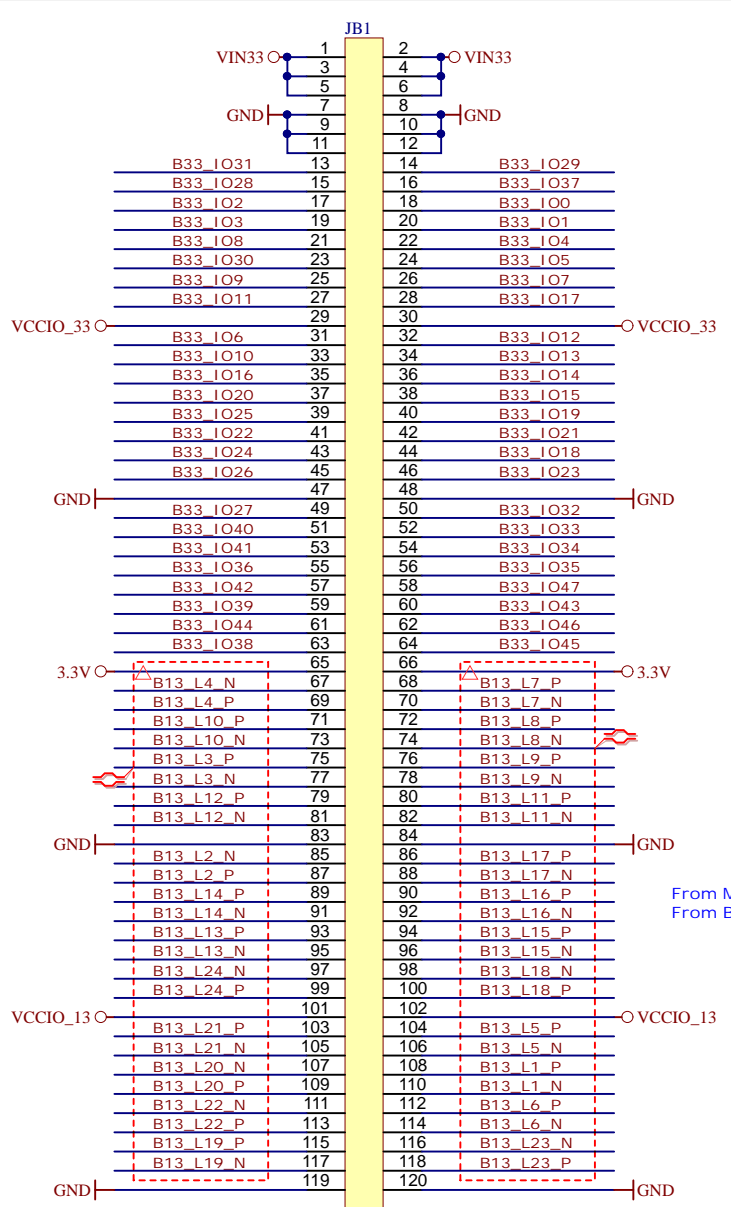
D

A

B

C

D



I2C0 ADDRESSING:

- 1010 000_ 1 EEPROM
- 1010 001_ 2 EEPROM
- 1010 010_ 3 EEPROM
- 1010 011_ BB 2K EEPROM
- 1010 101_ BB 128K EEPROM
- 1101 111_ RTC
- 1010 111_ SRAM



Title: B2B Connector		
A4	Number: TEB0729 TEB0729-A	Rev. 03
Date: 2017-09-29	Copyright: Trenz Electronic GmbH	Page2 of 8
Filename: B2B_Connectors.SchDoc		

1

2

3

4

A

A

B

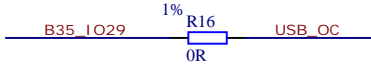
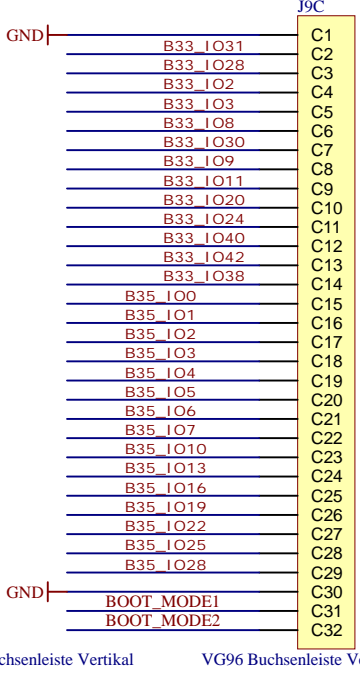
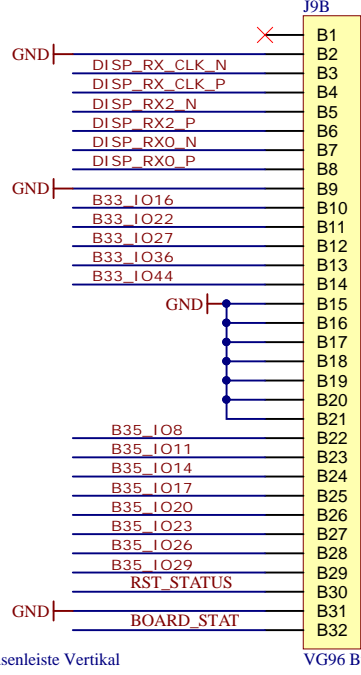
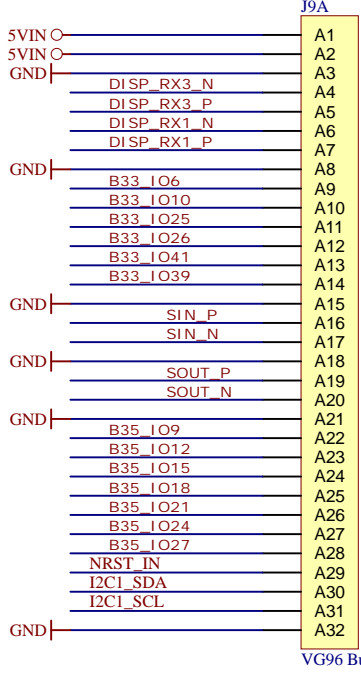
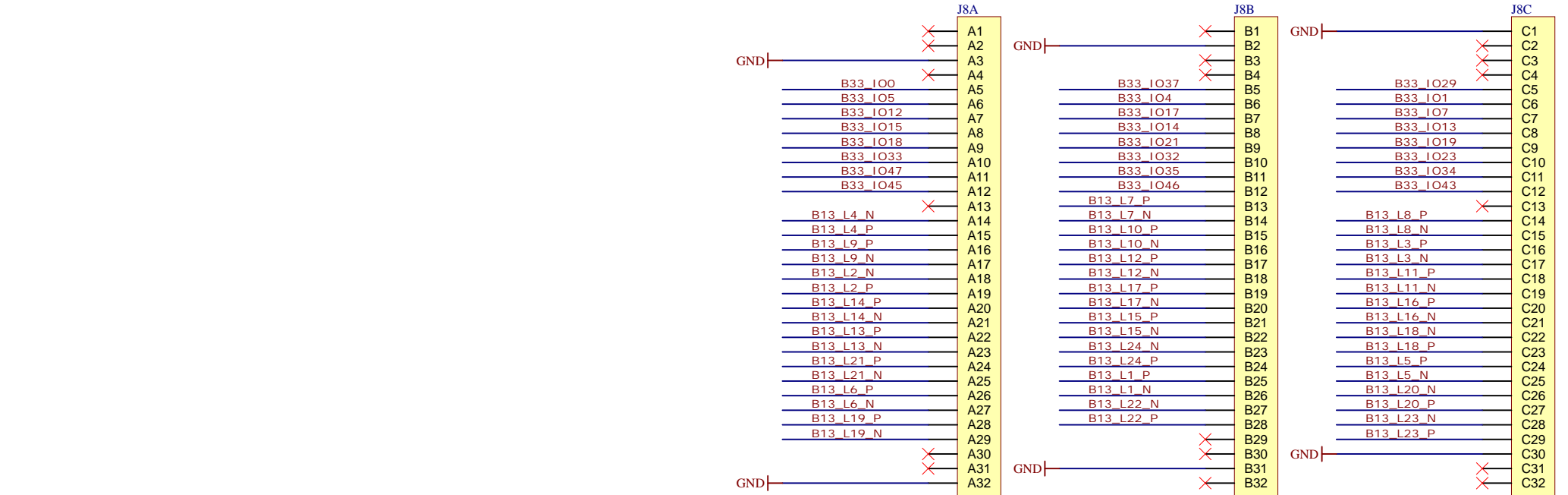
B

C

C

D

D



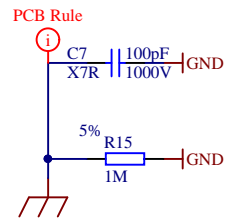
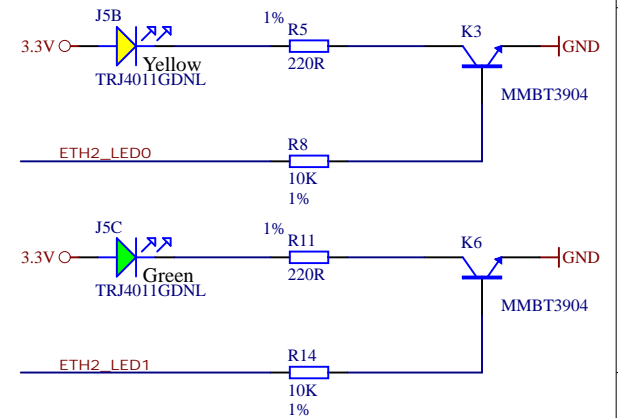
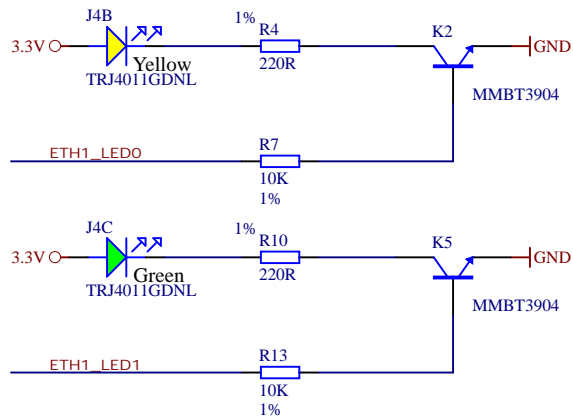
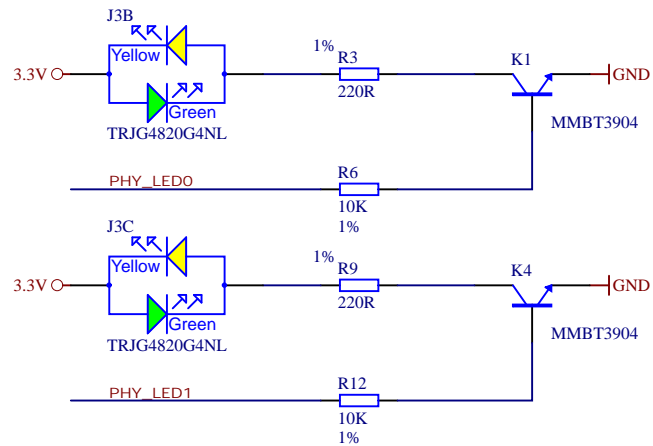
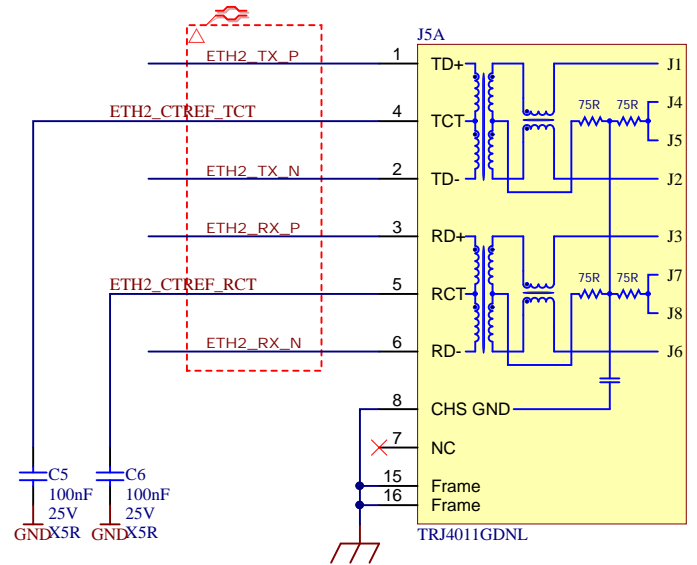
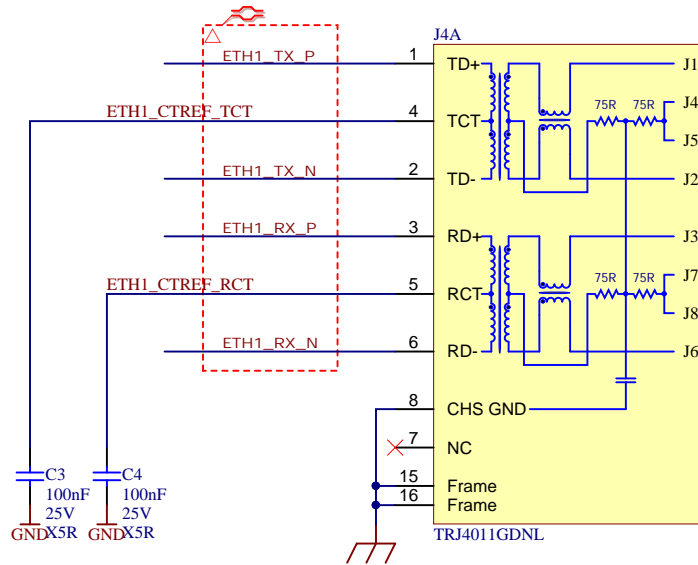
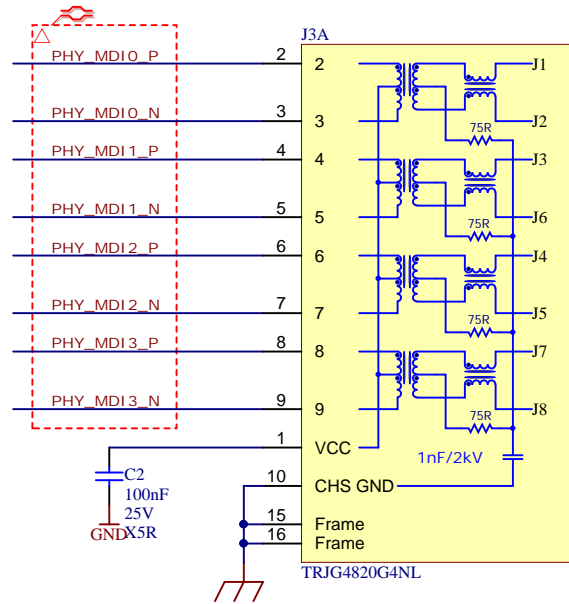
Title: External Connector		
A4	Number: TEB0729 TEB0729-A	Rev. 03
Date: 2017-09-29	Copyright: Trenz Electronic GmbH	Page3 of 8
Filename: VG_CONN.SchDoc		

1

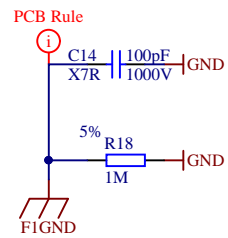
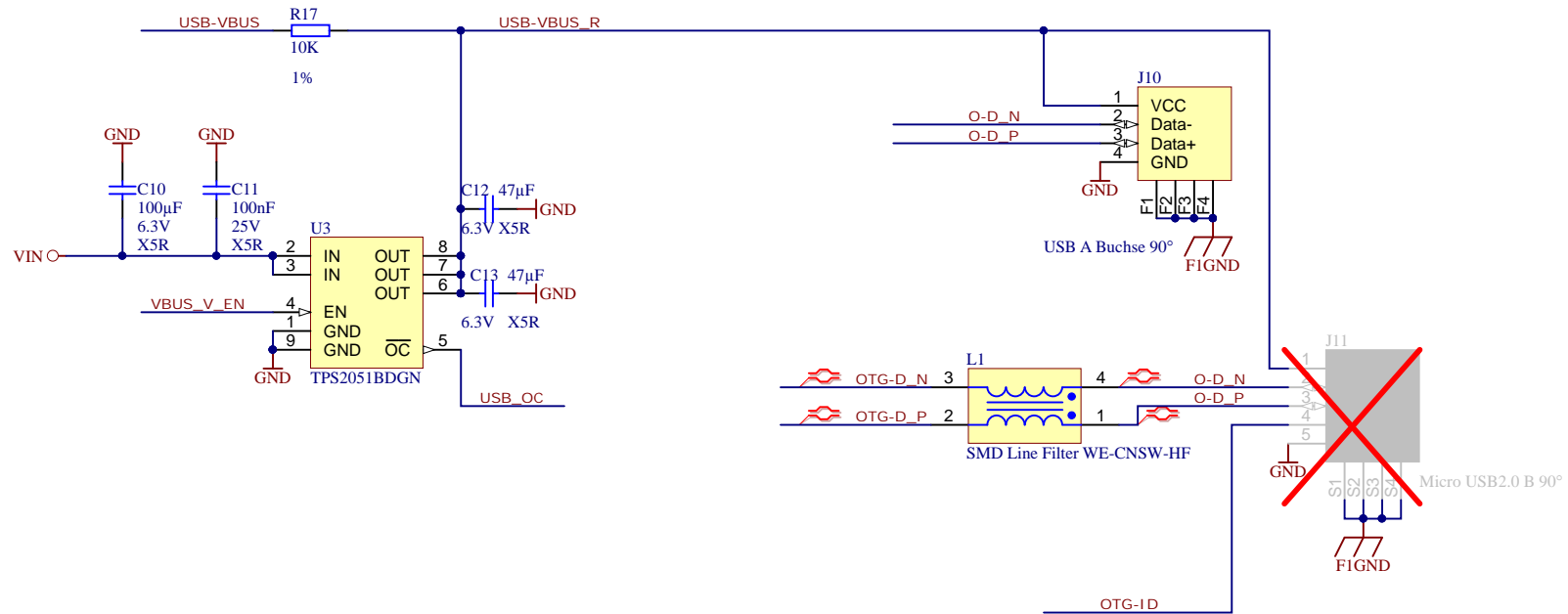
2

3

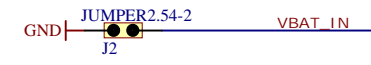
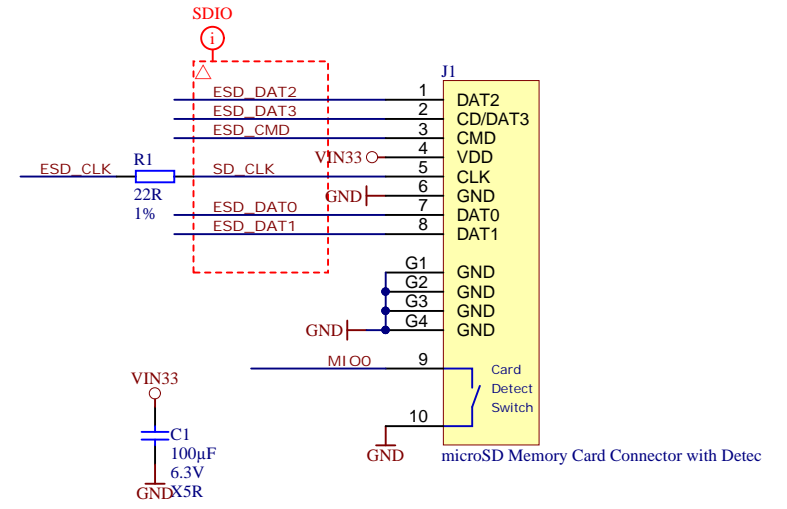
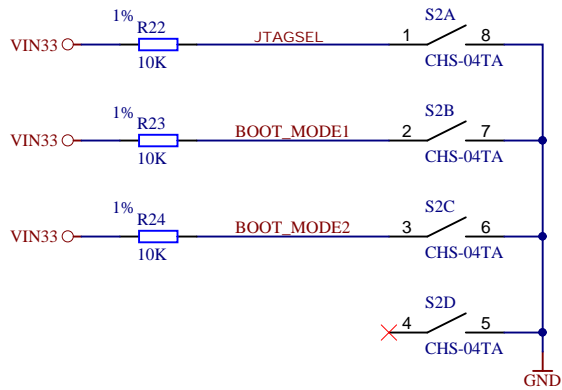
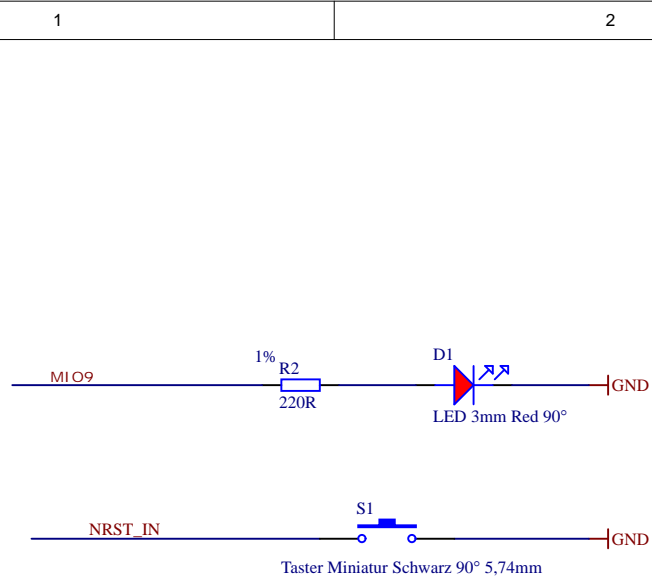
4




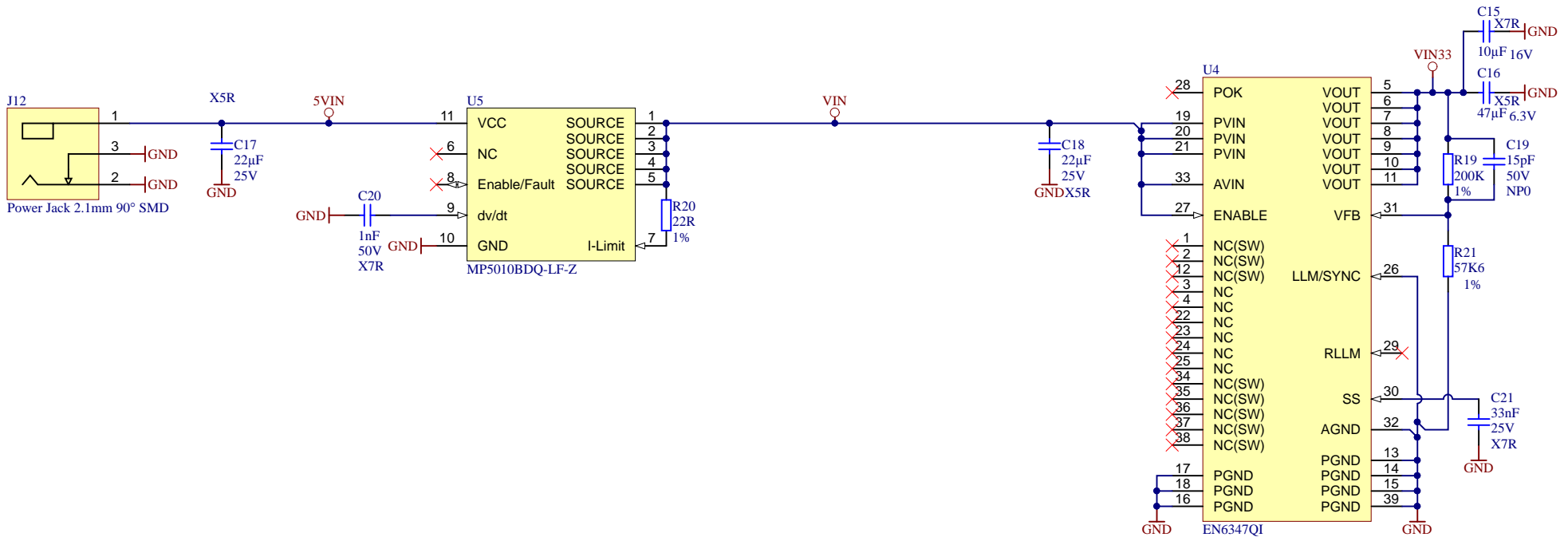
Title: Ethernet		
A4	Number: TEB0729 TEB0729-A	Rev. 03
Date: 2017-09-29	Copyright: Trenz Electronic GmbH	Page4 of 8
Filename: Ethernet.SchDoc		




Title: USB		
A4	Number: TEB0729 TEB0729-A	Rev. 03
Date: 2017-09-29	Copyright: Trenz Electronic GmbH	Page5 of 8
Filename: USB.SchDoc		



			Title: LED-Switch-SD	
			A4	Number: TEB0729 TEB0729-A
Date: 2017-09-29		Copyright: Trenz Electronic GmbH		Page 6 of 8
Filename: LED_SW_BUT.SchDoc				



	Title: Power	
	A4	Number: TEB0729 TEB0729-A
	Date: 2017-09-29	Copyright: Trenz Electronic GmbH
	Filename: POWER.SchDoc	Rev. 03
		Page 7 of 8

1

2

3

4


REV02

- 1) changed VCCIO (3.3V -> VIN33) on XMOD
- 2) added pull-up resistors R22..R24 to JTAGSEL, BOOT_MODE1, BOOT_MODE2
- 3) changed micro-USB
- 4) changed magjack connectors
- 5) lib component update
- 6) added thermal vias to mounting holes
- 7) added visual serial number
- 8) changed 2.1mm power jack THT on SMD

REV03

- 1) 1) New design of reset circuit. JB2 pin 89 and J9 B30 was connected by net RST_STATUS (Source - CPLD TE0729). JB2 pin 91, JB3 pin 11 (XMOD), S1 (button) connected by net NRST_IN (connected to CPLD TE0729 and supervisor U21 pin 3 (manual reset)
- 2) ETH1_CTREF, ETH2_CTREF disconnected from JB2. C3/C4 and C5/C6 disconnected from one another.
- 3) J3 pin 10, J4 pin 8, J5 pin 8 connected to net FGND.

- 23.11.2017:
- 4) U8 MP5010ADQ-LF-Z replaced to MP5010BDQ-LF-Z

	Title: Changes list		
	A4	Number: TEB0729 TEB0729-A	Rev. 03
	Date: 2017-09-29	Copyright: Trenz Electronic GmbH	Page 8 of 8
	Filename: Revision_Changes.SchDoc		

1

2

3

4