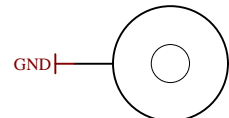
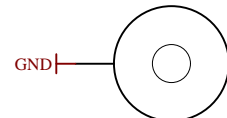


U_J1
J1.schdoc
U_J2
J2.schdoc
U_J3
J3.schdoc
U_SFP
SFP.schdoc
U_I2C_system
I2C_system.schdoc
U_SD
SD.schdoc
U_MISC
MISC.schdoc

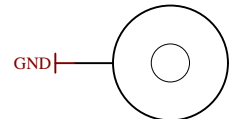
U_POWER_IN
POWER_IN.SchDoc
U_EX_Connectors
EX_Connectors.SchDoc
U_USB
USB.SchDoc
U_ETH
ETH.SchDoc



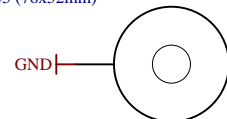
Mount.Hole 3.2mm für Unterlegscheibe



Mount.Hole 3.2mm für Unterlegscheibe

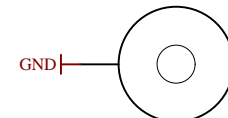


Mount.Hole 3.2mm für Unterlegscheibe

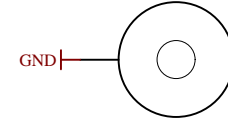


Mount.Hole 3.2mm für Unterlegscheibe

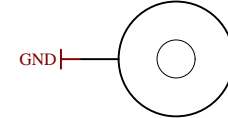
SNAP1
SNAP
SNAP for TE0745 (76x52mm)



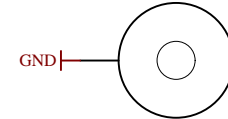
Mount.Hole 3.2mm für Unterlegscheibe



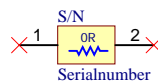
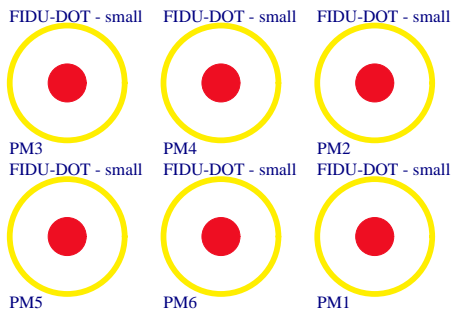
Mount.Hole 3.2mm für Unterlegscheibe



Mount.Hole 3.2mm für Unterlegscheibe



Mount.Hole 3.2mm für Unterlegscheibe



Serial
Serialnummer 6,3 x 6.3mm



| | | |
|---------------------------------|---|----------------|
| Title: TEB0745 | | |
| A4 | Number: TEB0745 TEB0745-01 | Rev. 01 |
| Date: 2016-05-20 | Copyright: Trenz Electronic GmbH | Page1 of 26 |
| Filename: TEB0745.schdoc | | |

A

B

C

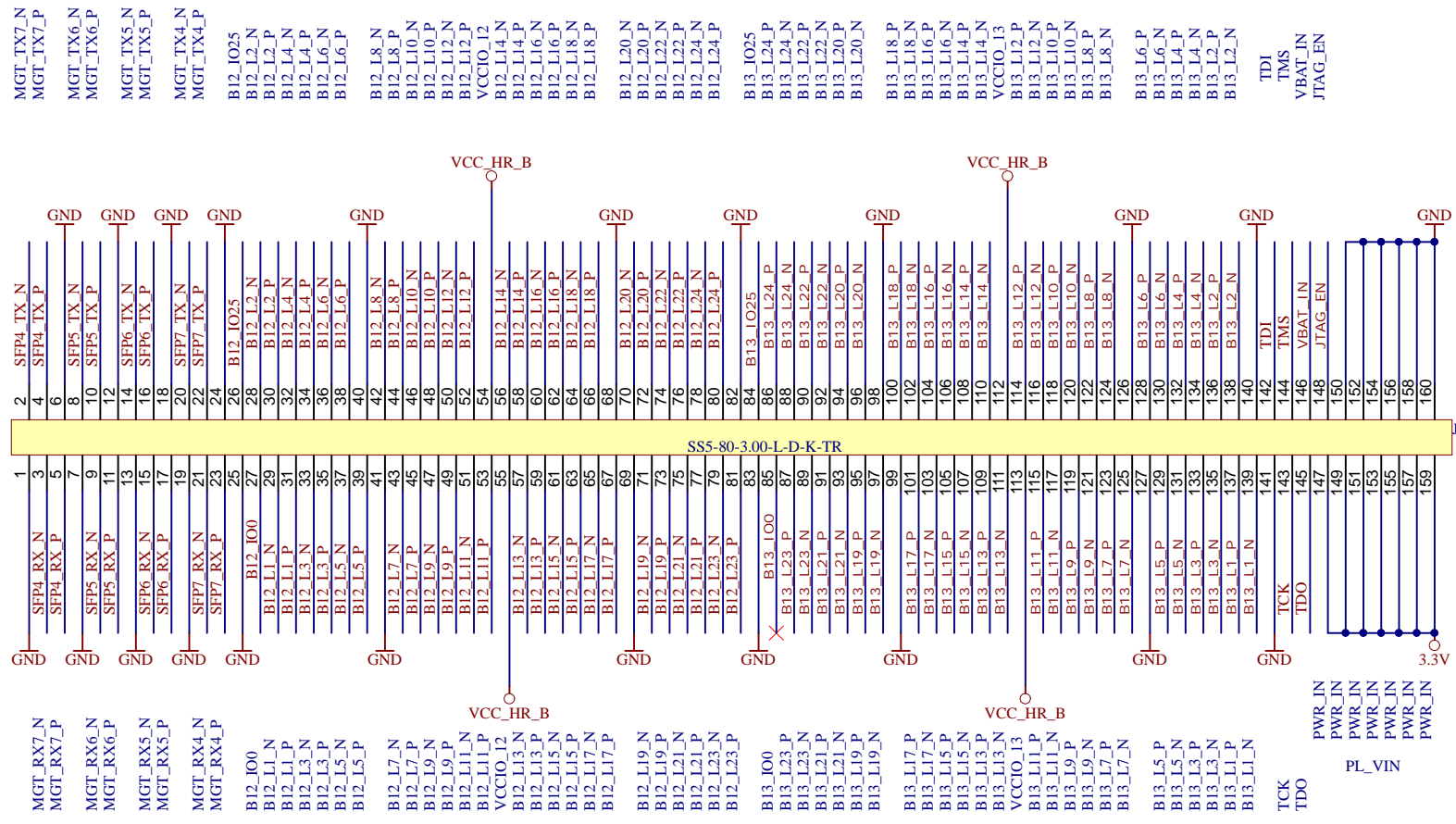
D

1

2

3

4



| | | |
|----------------------------|---|----------------------------|
| Title: TEB0745 | | |
| A4 | Number: TEB0745 TEB0745-01 | Rev. 01 |
| Date: 2016-05-20 | Copyright: Trenz Electronic GmbH | Page 2 of 26 |
| Filename: J1.schdoc | | |

1

2

3

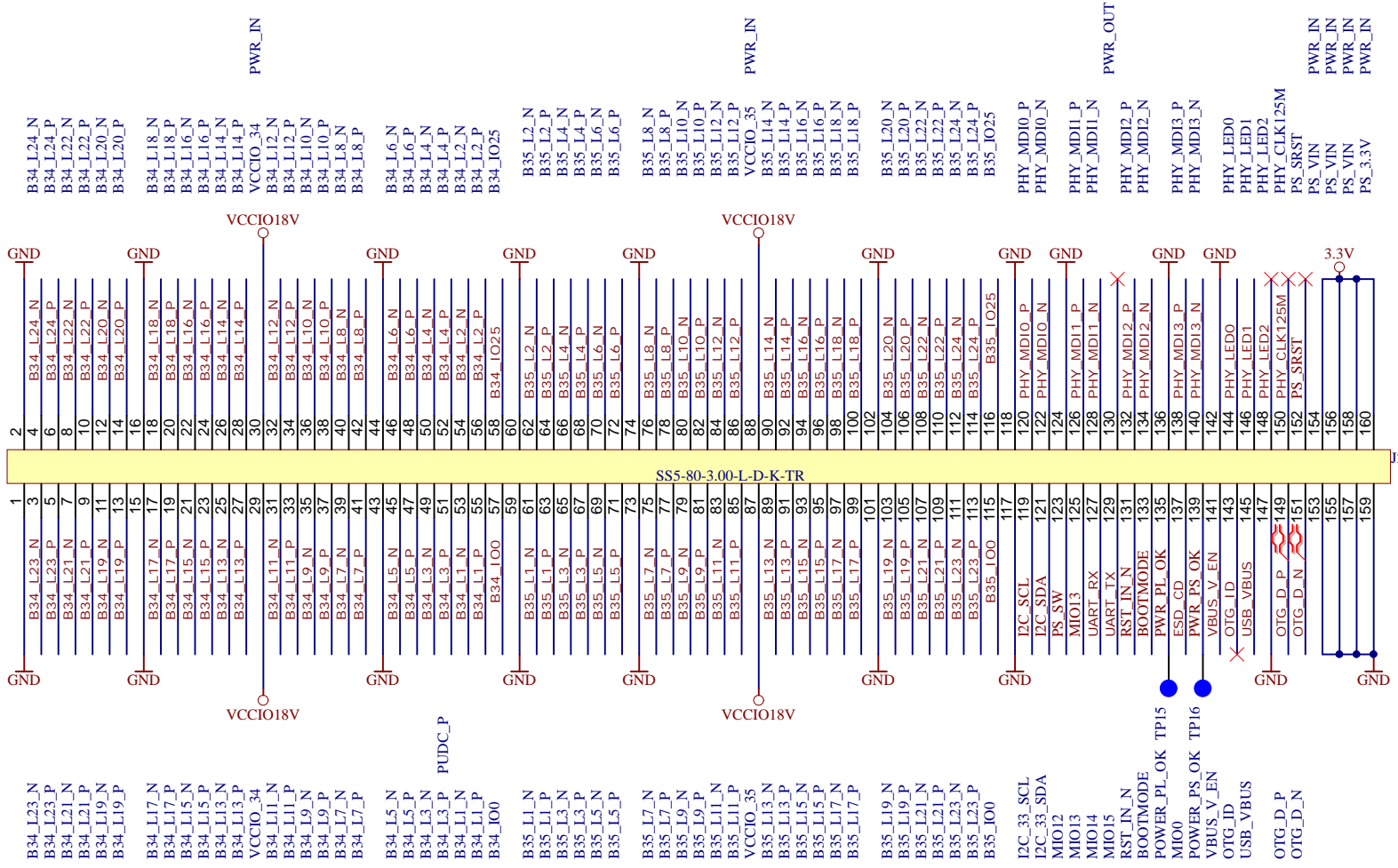
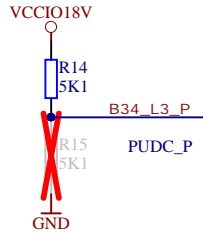
4

A

B

C

D



| | | |
|----------------------------|---|----------------------------|
| Title: TEB0745 | | Rev. 01 |
| A4 | Number: TEB0745 TEB0745-01 | Page 3 of 26 |
| Date: 2016-05-20 | Copyright: Trenz Electronic GmbH | |
| Filename: J2.schdoc | | |

A

B

C

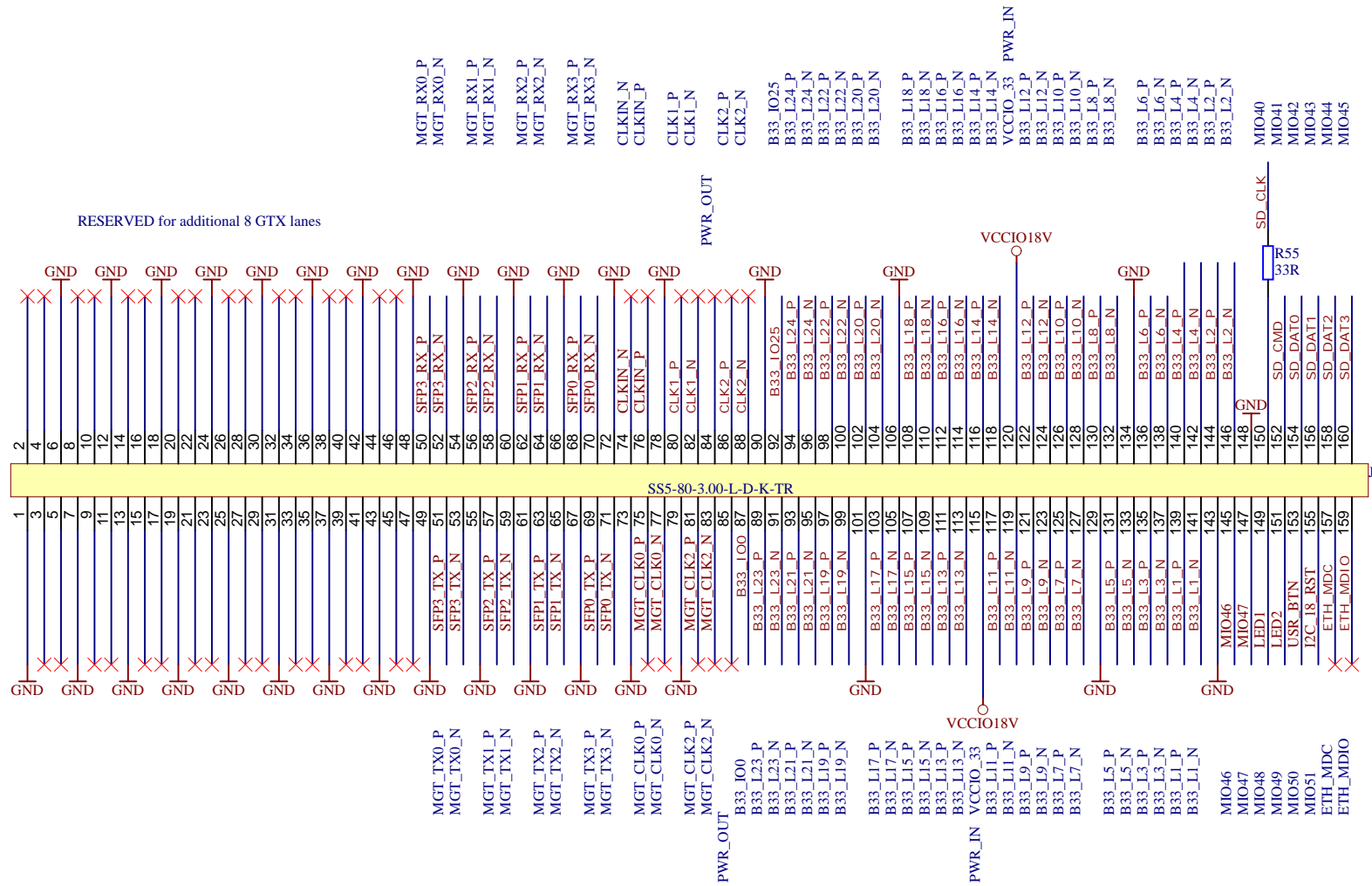
D

1

2

3

4



| | | |
|----------------------------|---|----------------------------|
| Title: TEB0745 | | |
| A4 | Number: TEB0745 TEB0745-01 | Rev. 01 |
| Date: 2016-05-20 | Copyright: Trenz Electronic GmbH | Page 4 of 26 |
| Filename: J3.schdoc | | |

1

2

3

4

A

B

C

D

1

2

3

4

A

A

U_SFP_0
SFP_0.schdoc



U_SFP_1
SFP_1.schdoc



U_SFP_2
SFP_2.schdoc



U_SFP_3
SFP_3.schdoc



U_SFP_4
SFP_4.schdoc



U_SFP_5
SFP_5.schdoc



U_SFP_6
SFP_6.schdoc



U_SFP_7
SFP_7.schdoc



B

B

C

C

D


D

1

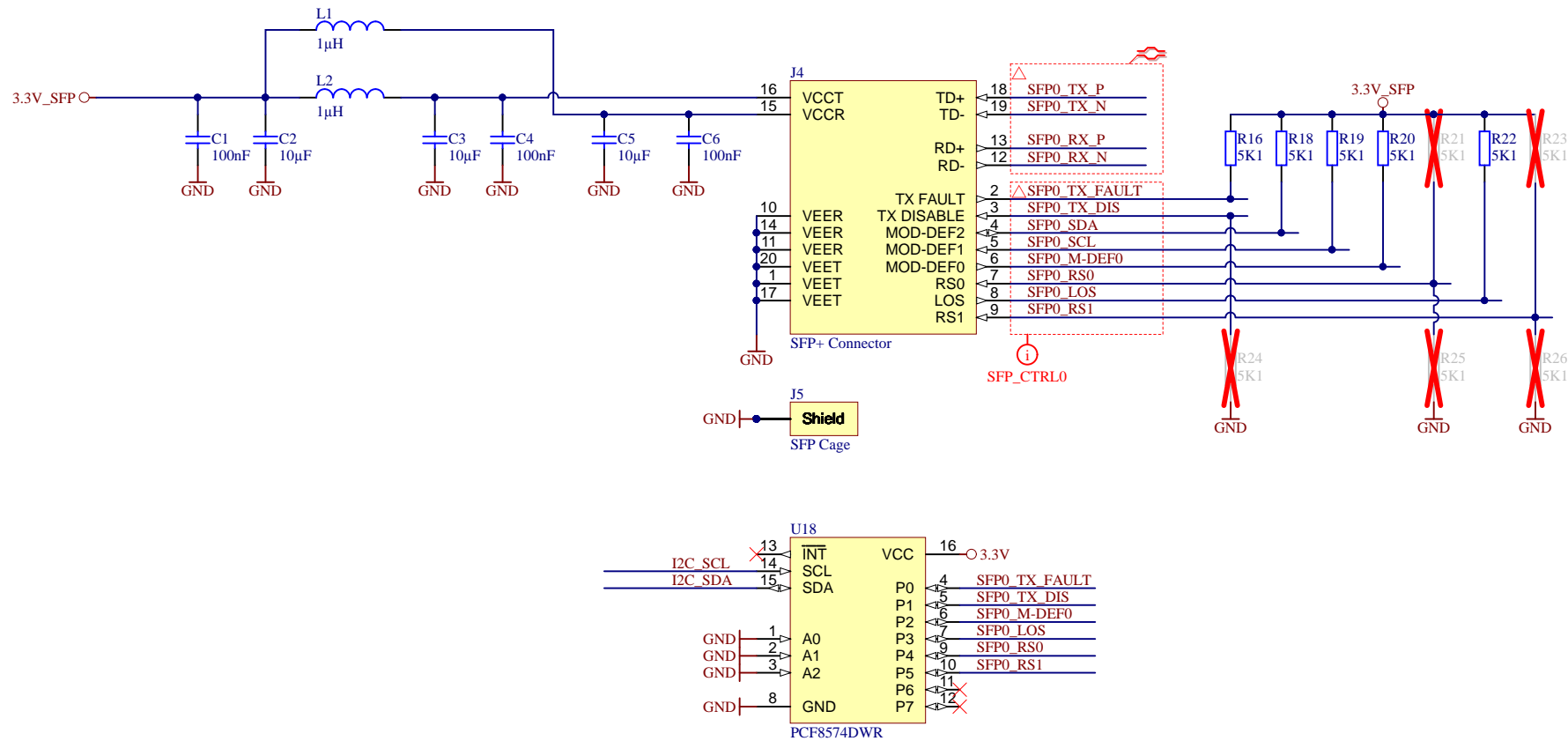
2


3

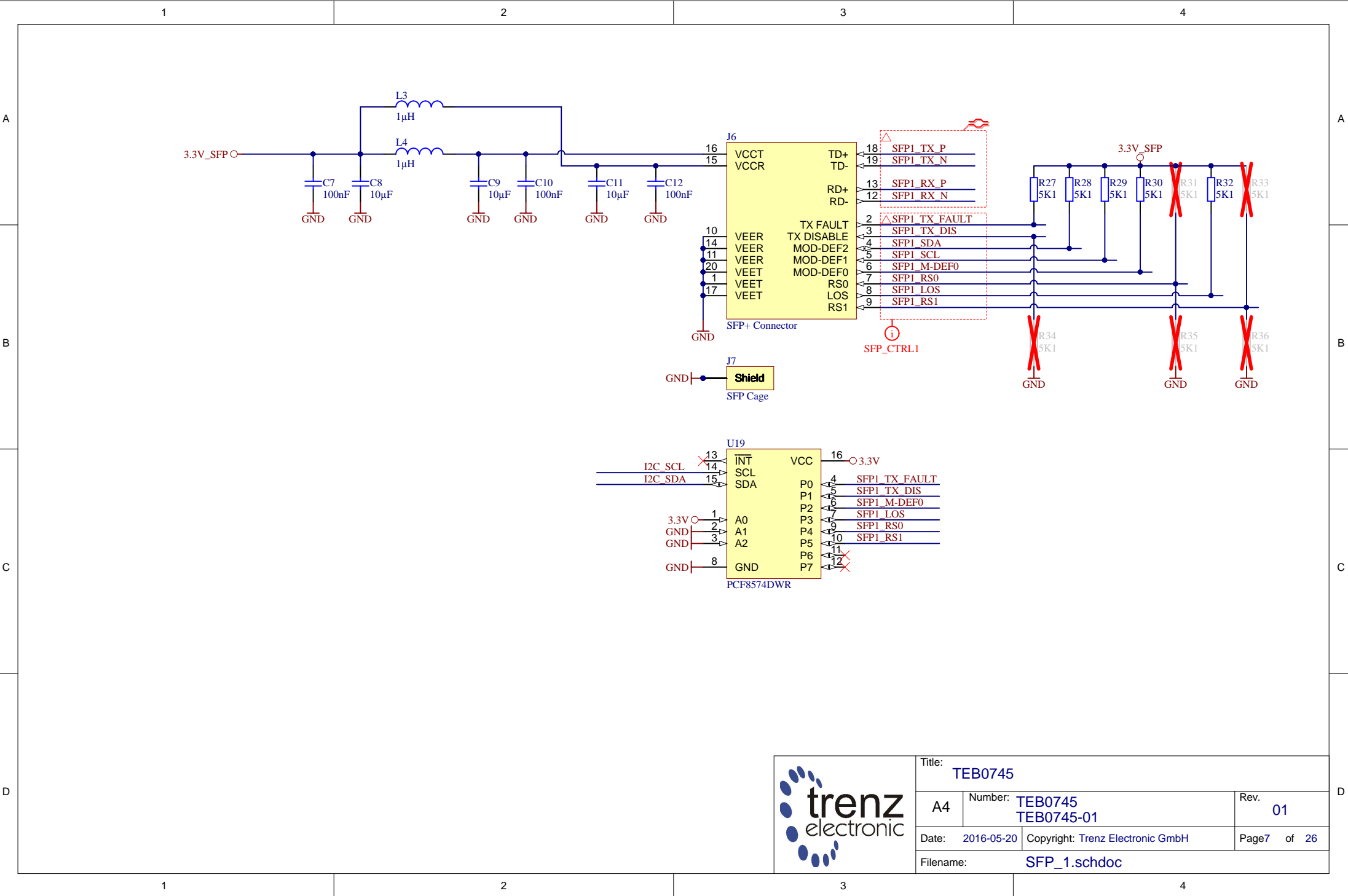
4


| | | | |
|---|--|---|---|
|  | | Title: TEB0745 | |
| | | A4 | Number: TEB0745 TEB0745-01 |
| Date: 2016-05-20 | | Copyright: Trenz Electronic GmbH | |
| Filename: SFP.schdoc | | Page 5 of 26 | |

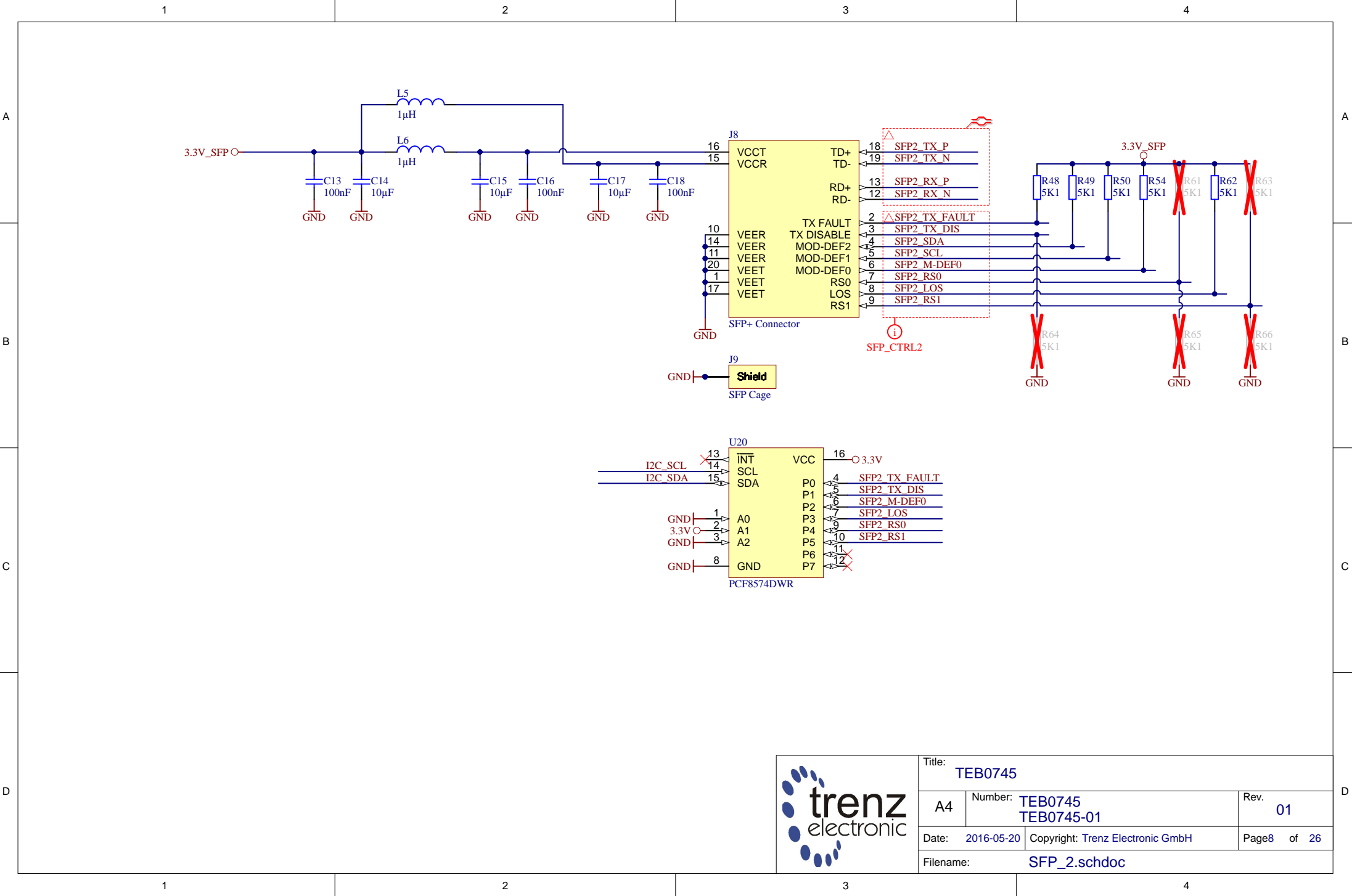
The module signal ground contacts, VeeR and VeeT, should be isolated from the module case.




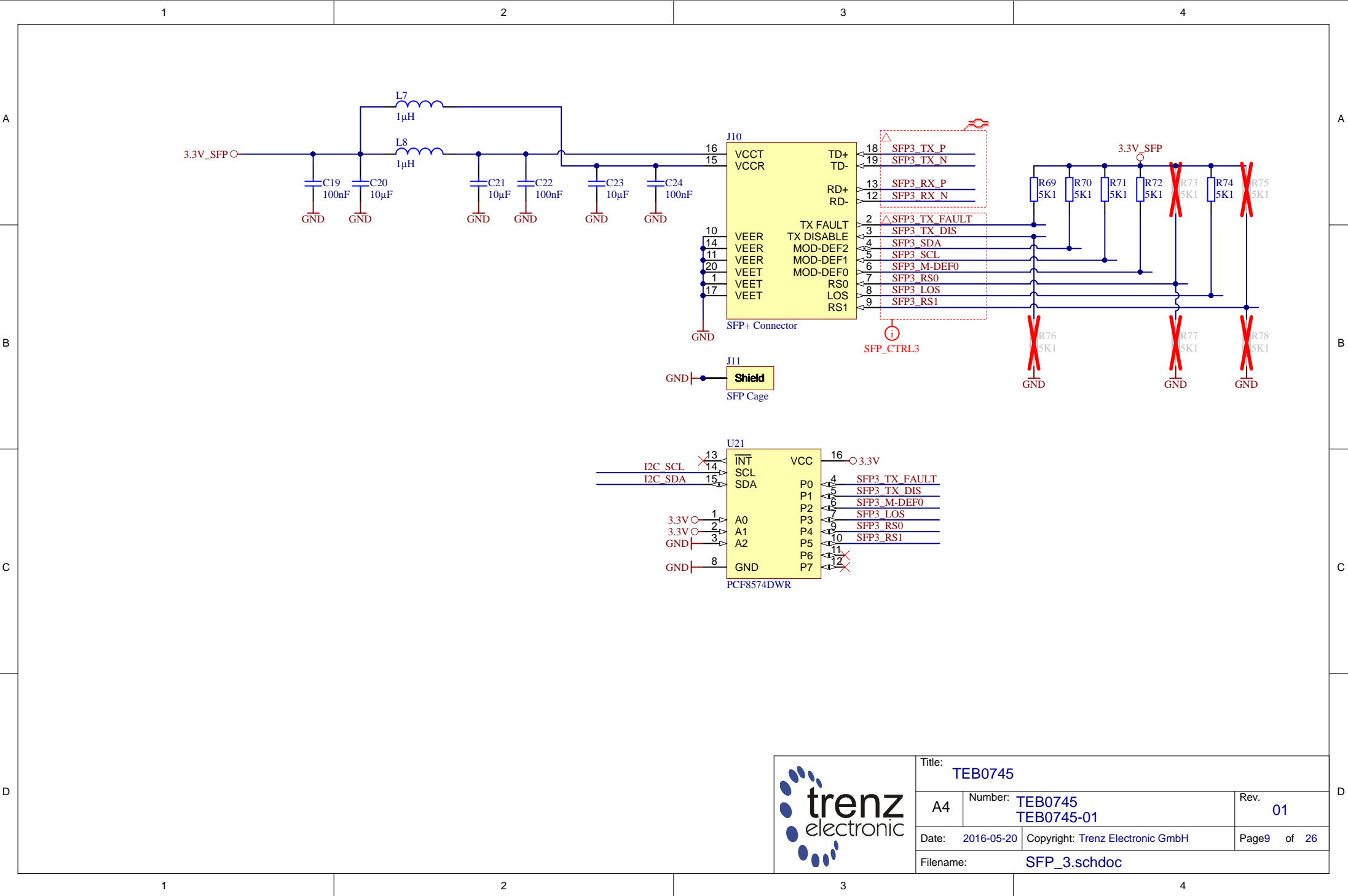
| | | | |
|---|--|----------------------------------|---|
|  | | Title: TEB0745 | |
| | | A4 | Number: TEB0745 TEB0745-01 |
| Date: 2016-05-20 | | Copyright: Trenz Electronic GmbH | |
| Page 6 | | of 26 | |
| Filename: SFP_0.schdoc | | | |



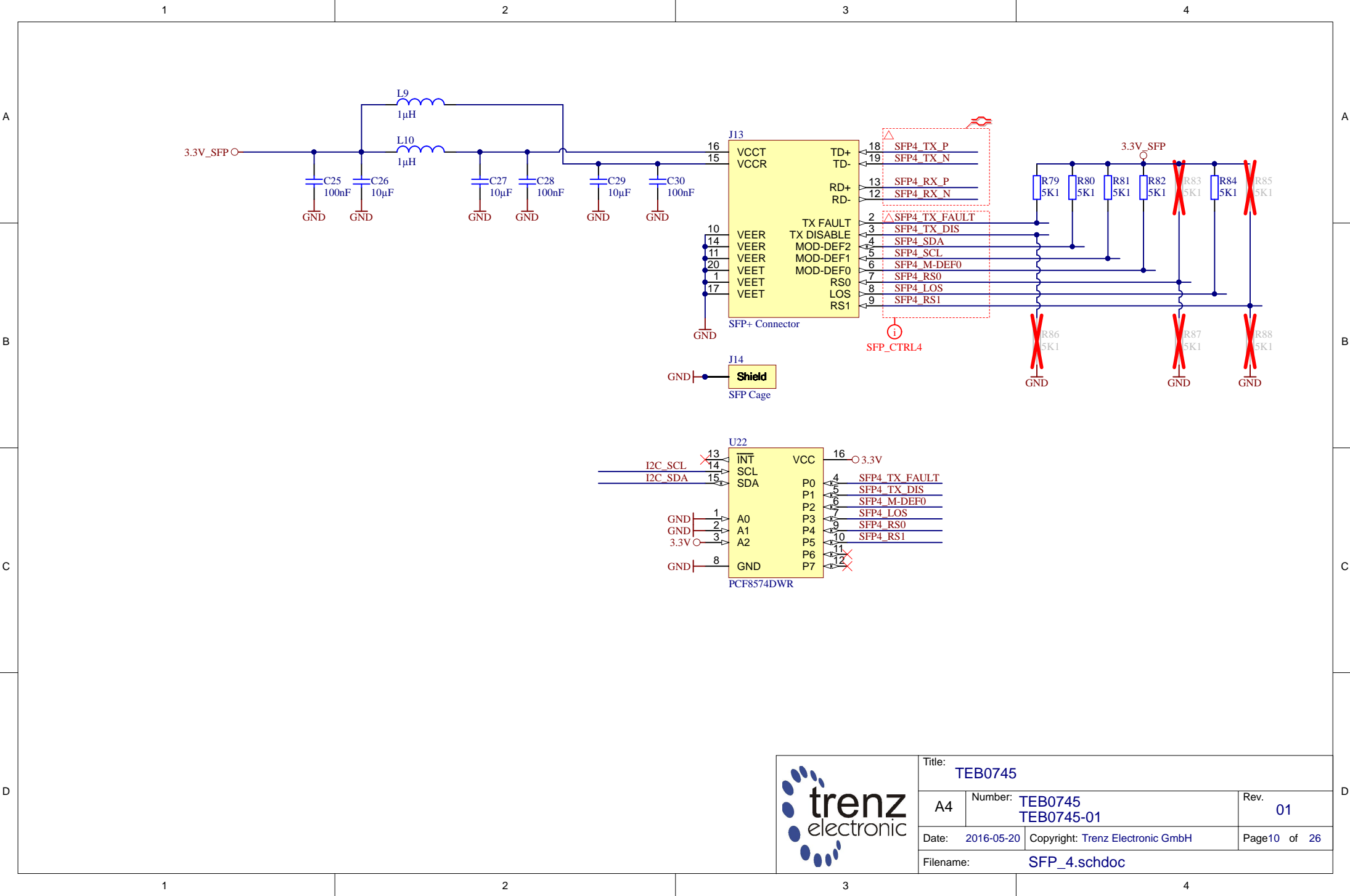
| | | | |
|---|--|----------------------------------|---|
|  | | Title: TEB0745 | |
| | | A4 | Number: TEB0745 TEB0745-01 |
| Date: 2016-05-20 | | Copyright: Trenz Electronic GmbH | |
| Date: 2016-05-20 | | Page 7 of 26 | |
| Filename: SFP_1.schdoc | | | |




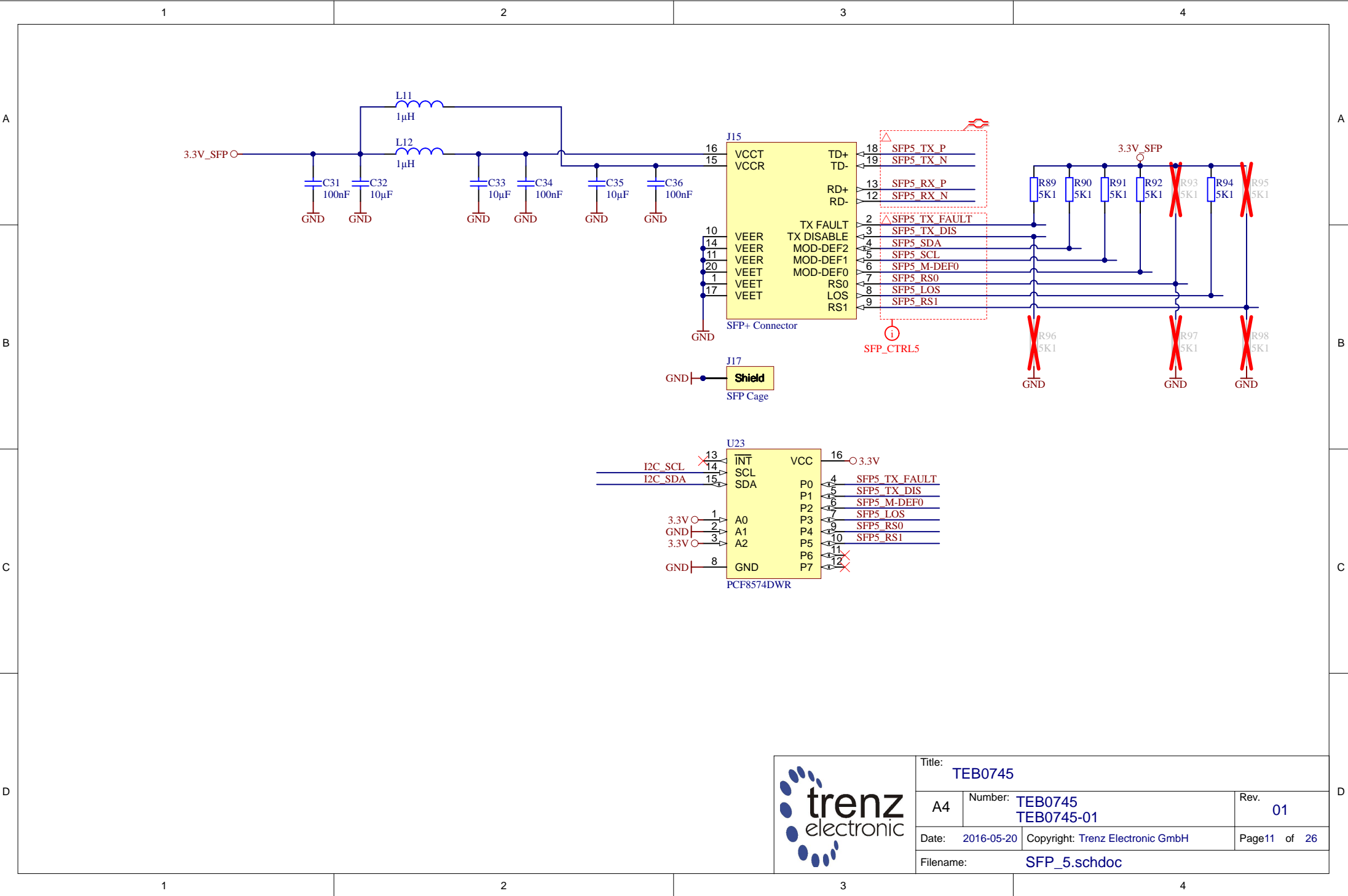
| | | | |
|---|--|----------------------------------|---|
|  | | Title: TEB0745 | |
| | | A4 | Number: TEB0745 TEB0745-01 |
| Date: 2016-05-20 | | Copyright: Trenz Electronic GmbH | |
| Page 8 | | of 26 | |
| Filename: SFP_2.schdoc | | | |




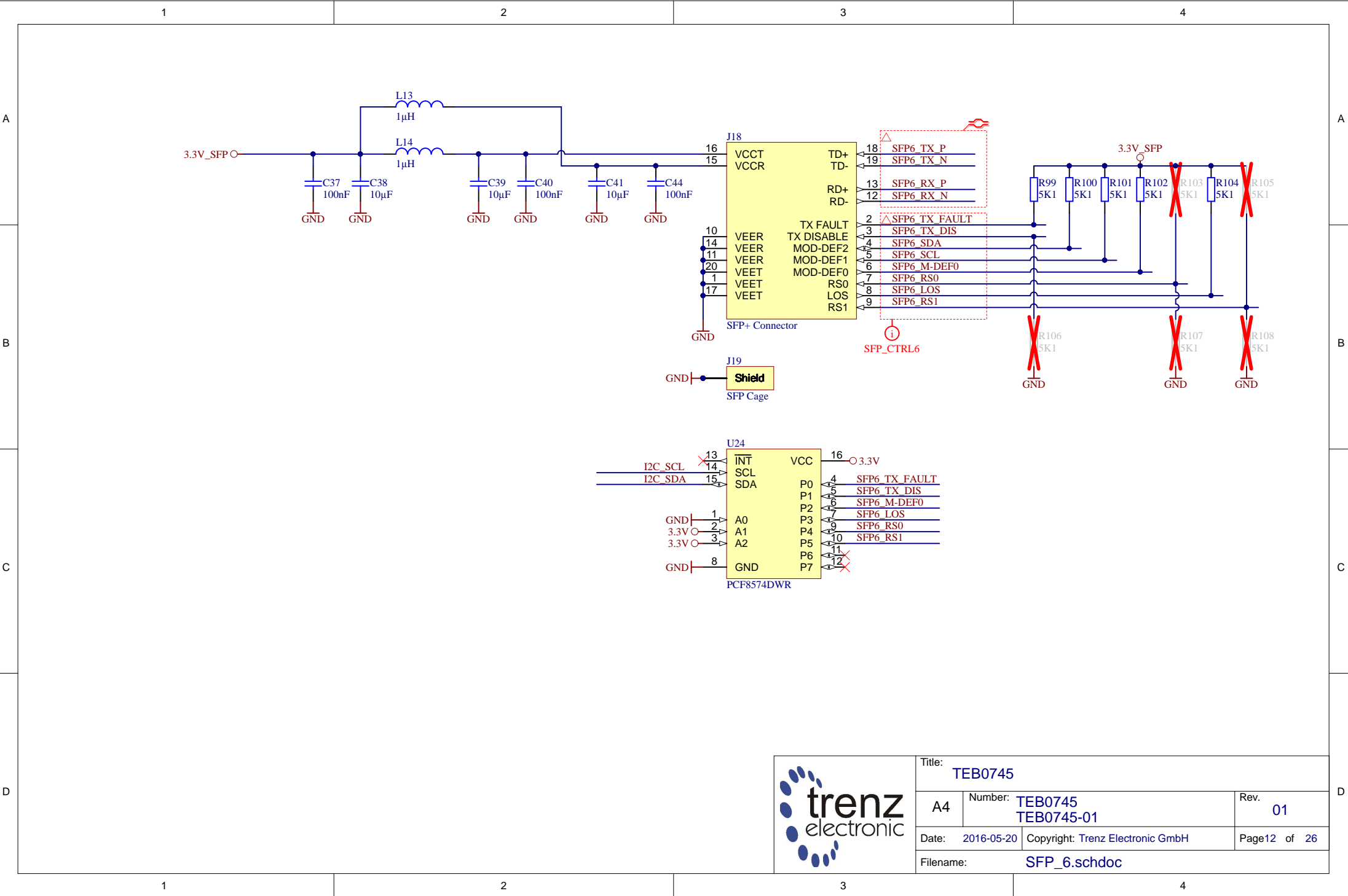
| | | |
|-------------------------------|---|----------------------------|
| Title: TEB0745 | | |
| A4 | Number: TEB0745 TEB0745-01 | Rev. 01 |
| Date: 2016-05-20 | Copyright: Trenz Electronic GmbH | Page 9 of 26 |
| Filename: SFP_3.schdoc | | |



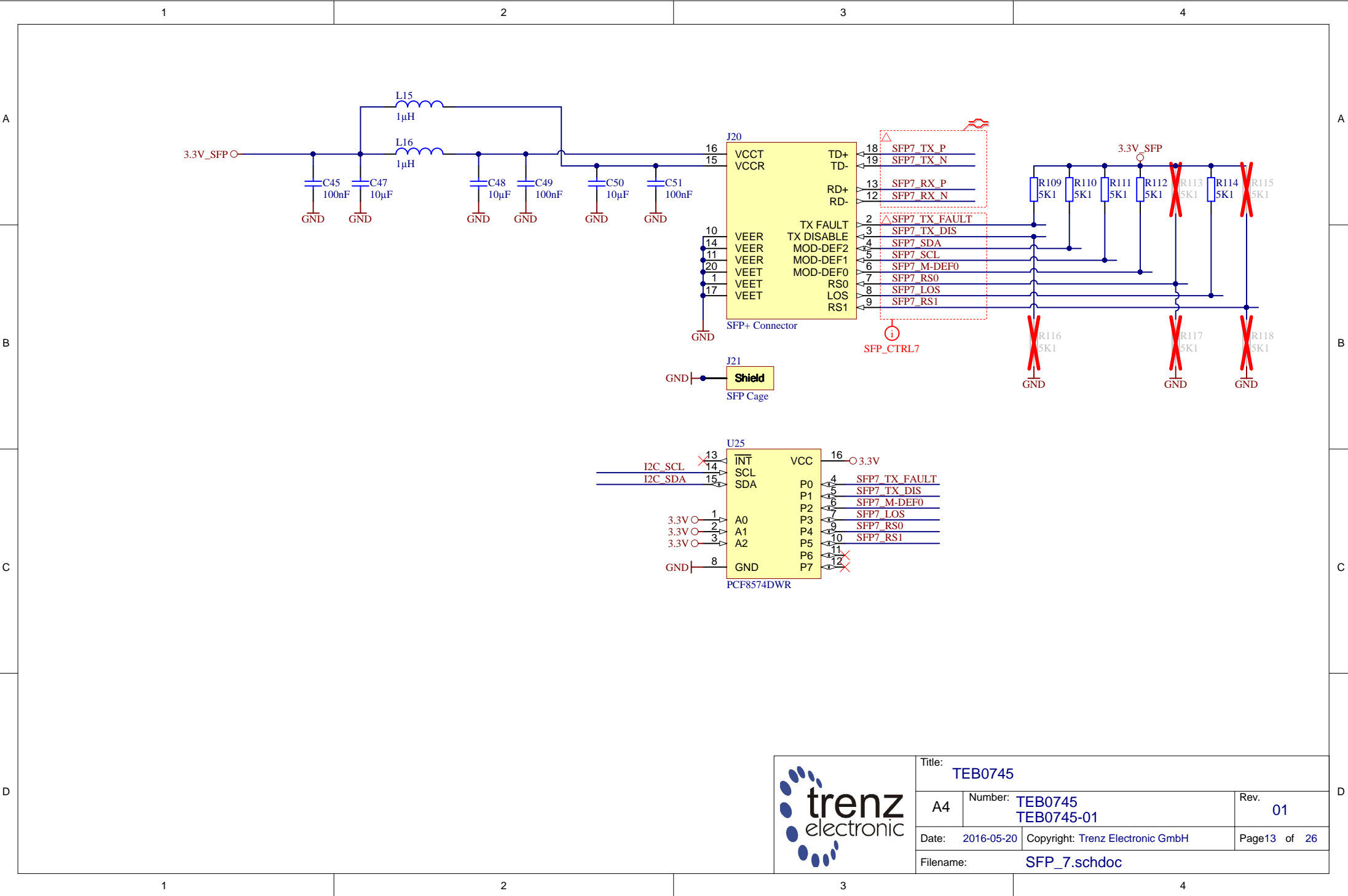
| | | | |
|---|--|----------------------------------|-------------------------------|
|  | | Title: TEB0745 | |
| | | A4 | Number: TEB0745 TEB0745-01 |
| Date: 2016-05-20 | | Copyright: Trenz Electronic GmbH | |
| Filename: SFP_4.schdoc | | Page 10 of 26 | |




| | | | |
|---|--|----------------------------------|---|
|  | | Title: TEB0745 | |
| | | A4 | Number: TEB0745 TEB0745-01 |
| Date: 2016-05-20 | | Copyright: Trenz Electronic GmbH | |
| Date: 2016-05-20 | | Page 11 of 26 | |
| Filename: SFP_5.schdoc | | | |



| | | |
|-------------------------------|---|-----------------------------|
| Title: TEB0745 | | |
| A4 | Number: TEB0745 TEB0745-01 | Rev. 01 |
| Date: 2016-05-20 | Copyright: Trenz Electronic GmbH | Page 12 of 26 |
| Filename: SFP_6.schdoc | | |

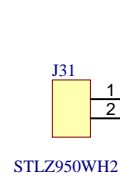
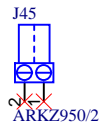
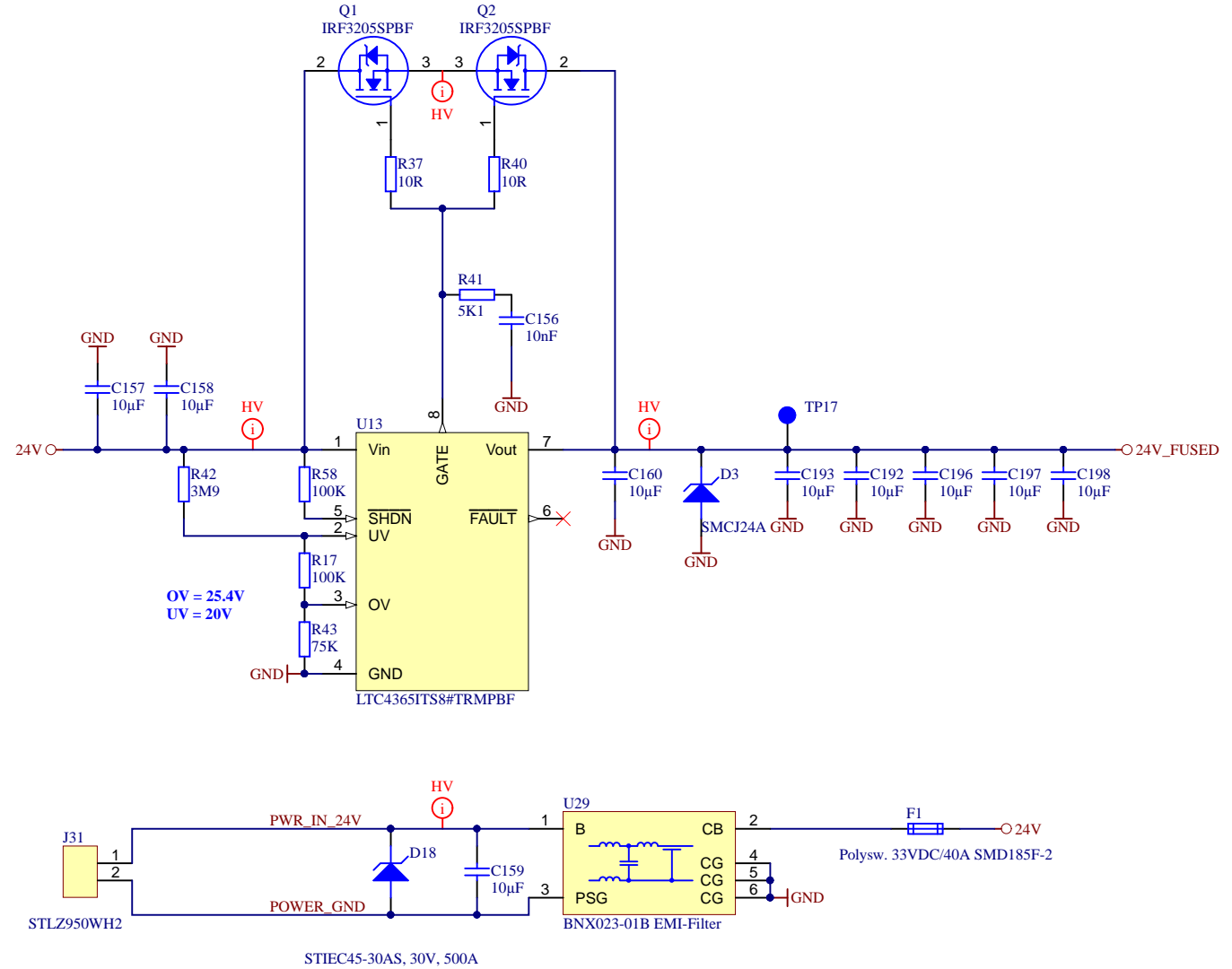


| | | | |
|---|--|---|---|
|  | | Title: TEB0745 | |
| | | A4 | Number: TEB0745 TEB0745-01 |
| Date: 2016-05-20 | | Copyright: Trenz Electronic GmbH | |
| Filename: SFP_7.schdoc | | Page 13 of 26 | |

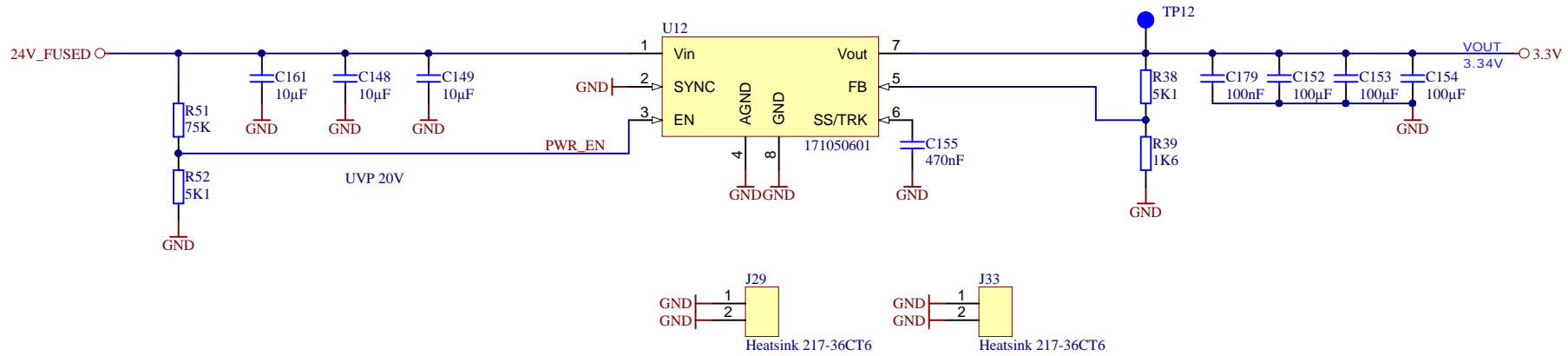
U_POWER_3V3
POWER_3V3.SchDoc


U_POWER_5V
POWER_5V.SchDoc

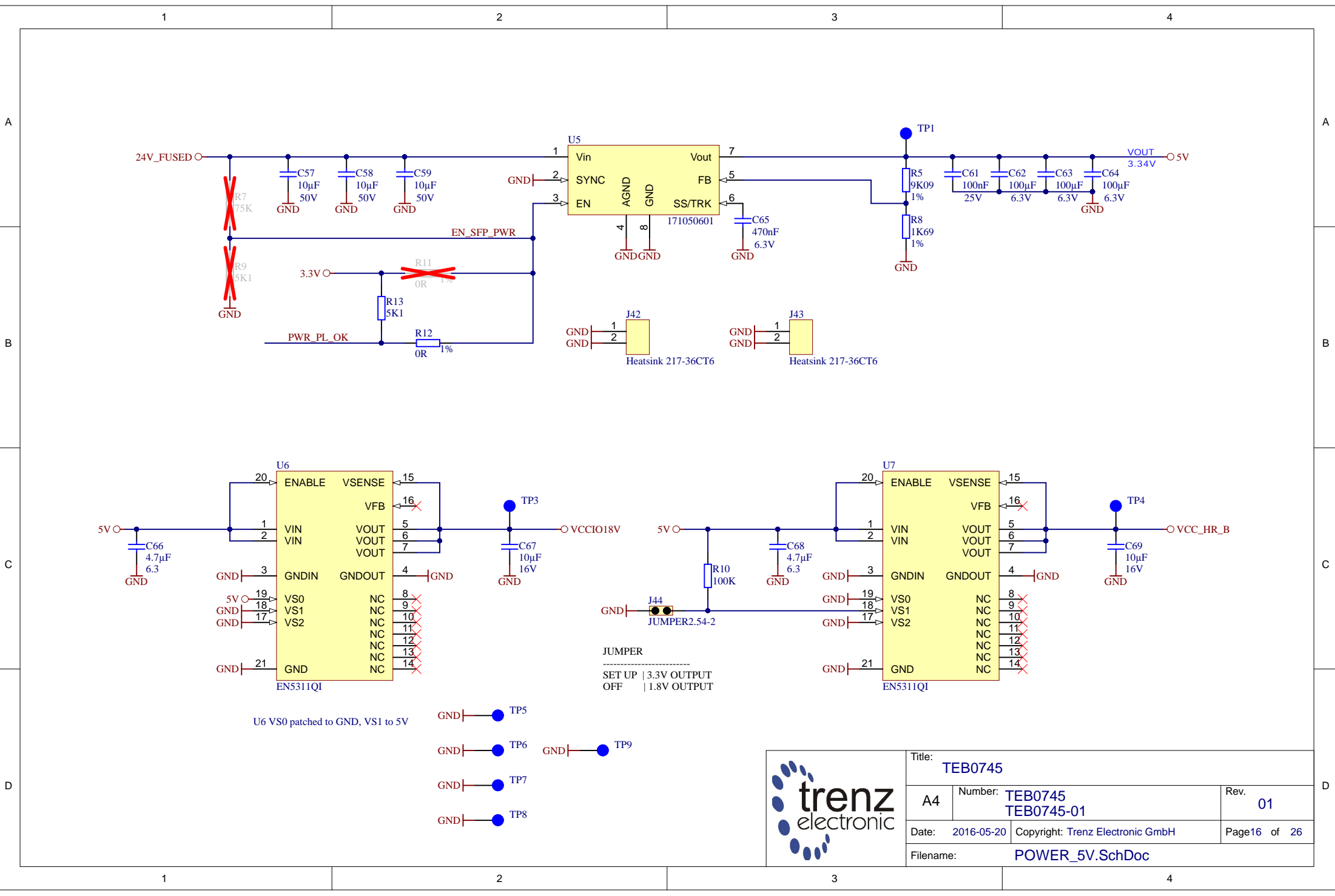
U_POWER_3V3_2
POWER_3V3_2.SchDoc



| | | |
|---------------------------|----------------------------------|---------------|
| Title: TEB0745 | | |
| A4 | Number: TEB0745 TEB0745-01 | Rev. 01 |
| Date: 2016-05-20 | Copyright: Trenz Electronic GmbH | Page 14 of 26 |
| Filename: POWER_IN.SchDoc | | |



| | | | | |
|---|--|----------------------------------|----------------|-------------------------------|
|  | | | Title: TEB0745 | |
| | | | A4 | Number: TEB0745 TEB0745-01 |
| Date: 2016-05-20 | | Copyright: Trenz Electronic GmbH | | Page 15 of 26 |
| Filename: POWER_3V3.SchDoc | | | | |



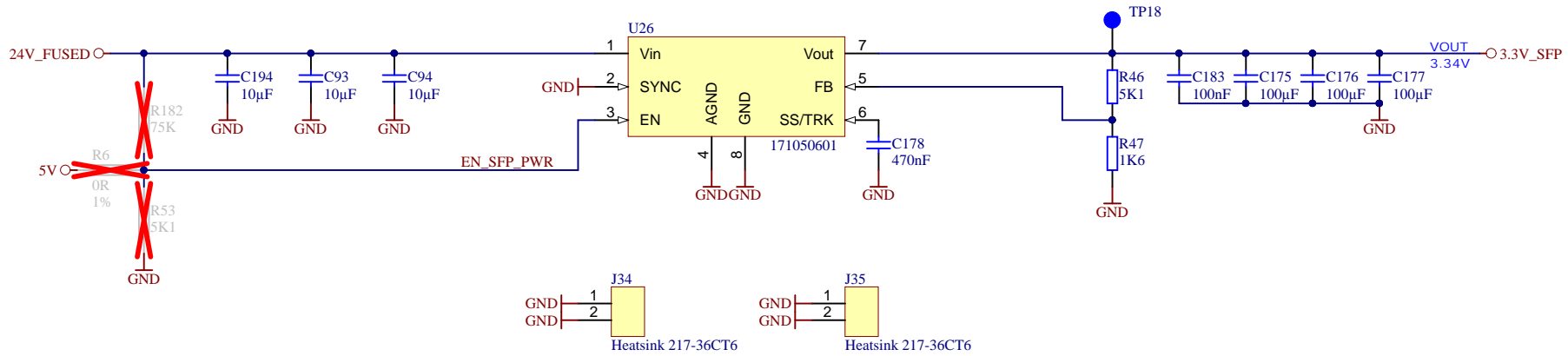
U6 VS0 patched to GND, VS1 to 5V


- GND — TP5
- GND — TP6
- GND — TP7
- GND — TP8
- GND — TP9

JUMPER
 SET UP | 3.3V OUTPUT
 OFF | 1.8V OUTPUT



| | | |
|----------------------------------|---|----------------|
| Title: TEB0745 | | |
| A4 | Number: TEB0745 TEB0745-01 | Rev. 01 |
| Date: 2016-05-20 | Copyright: Trenz Electronic GmbH | Page 16 of 26 |
| Filename: POWER_5V.SchDoc | | |



| | | | |
|---|--|----------------------------------|---|
|  | | Title: TEB0745 | |
| | | A4 | Number: TEB0745 TEB0745-01 |
| Date: 2016-05-20 | | Copyright: Trenz Electronic GmbH | |
| Date: 2016-05-20 | | Page 17 of 26 | |
| Filename: POWER_3V3_2.SchDoc | | | |

1

2

3

4

A

A

B

B

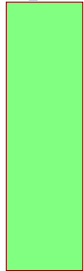
C

C

D

D

U_EX_Connectors_0
EX_Connectors_0.SchDoc



U_EX_Connectors_1
EX_Connectors_1.SchDoc



U_EX_Connectors_2
EX_Connectors_2.SchDoc



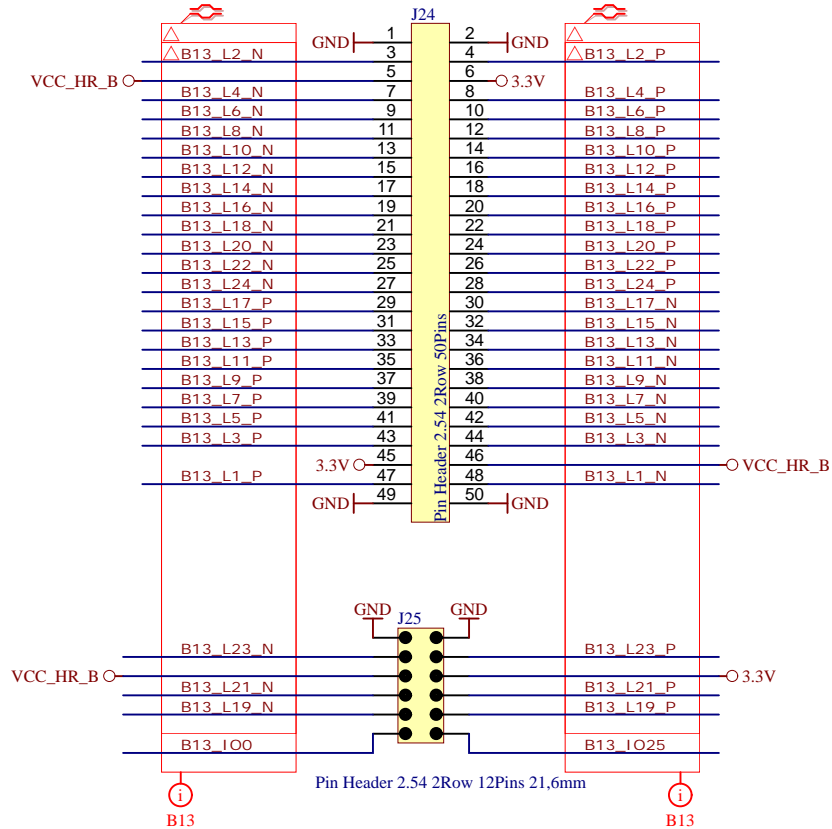
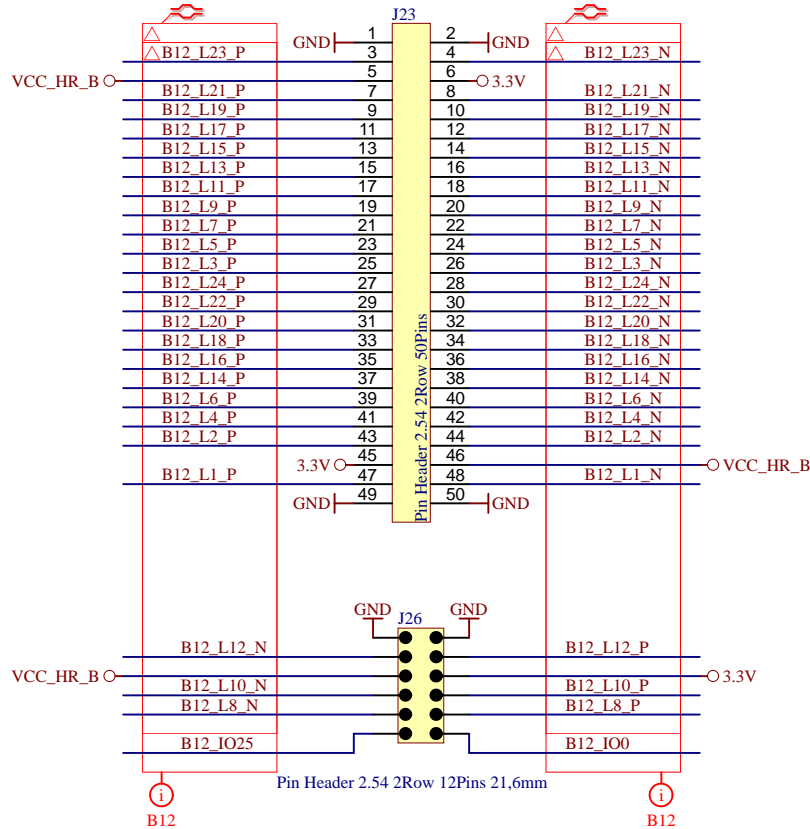
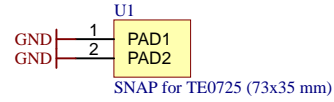
| | | |
|---------------------------------------|---|-----------------------------|
| Title: TEB0745 | | |
| A4 | Number: TEB0745 TEB0745-01 | Rev. 01 |
| Date: 2016-05-20 | Copyright: Trenz Electronic GmbH | Page 18 of 26 |
| Filename: EX_Connectors.SchDoc | | |

1

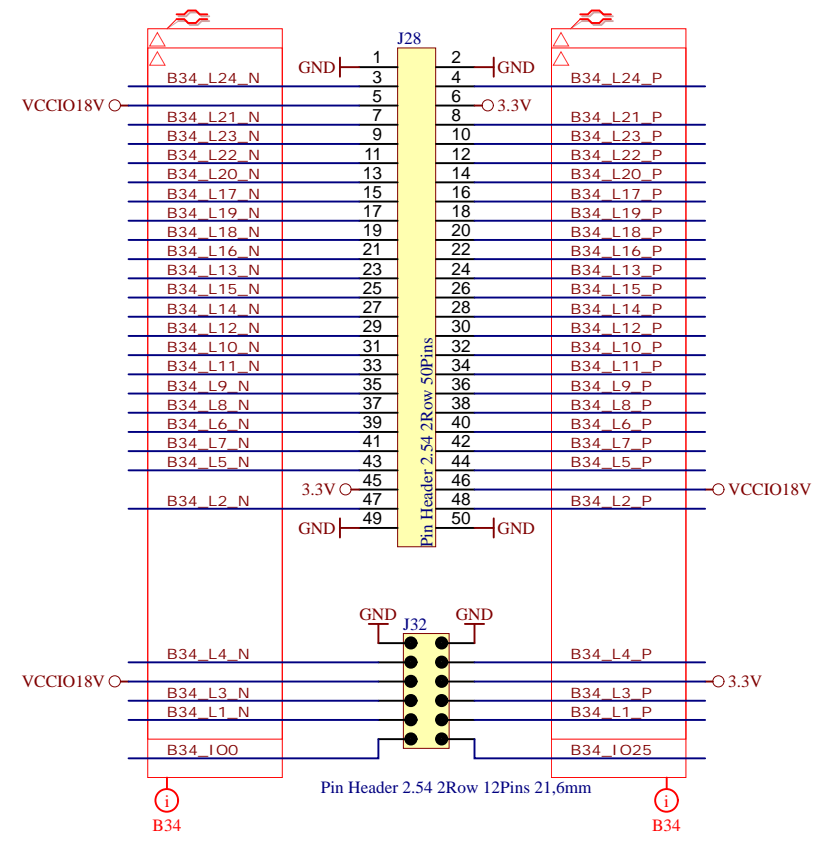
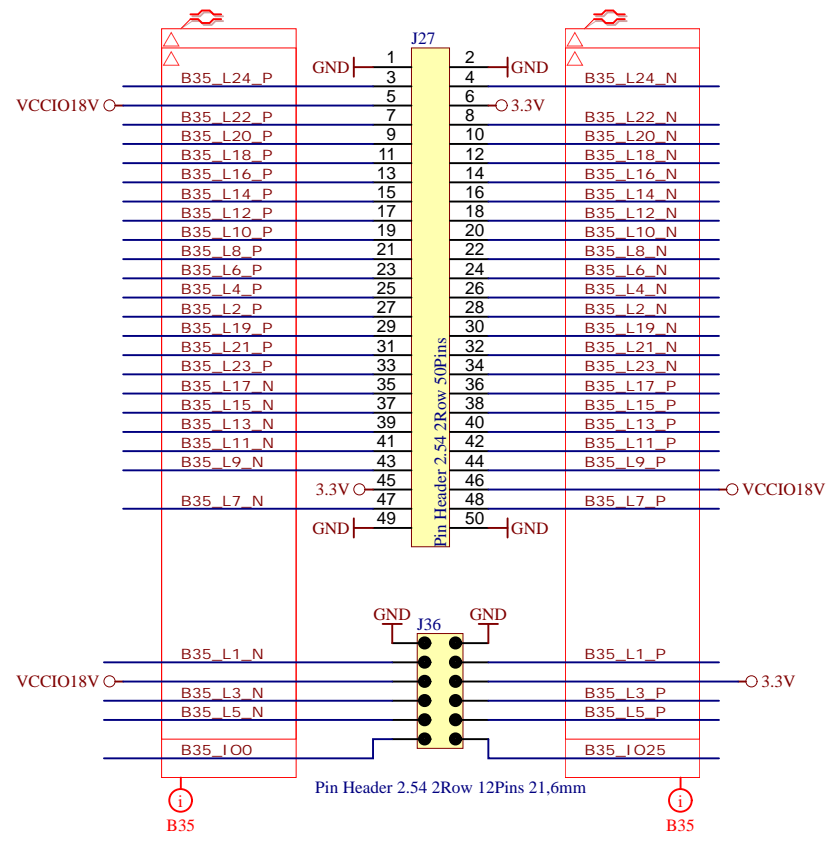
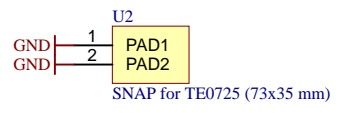
2

3

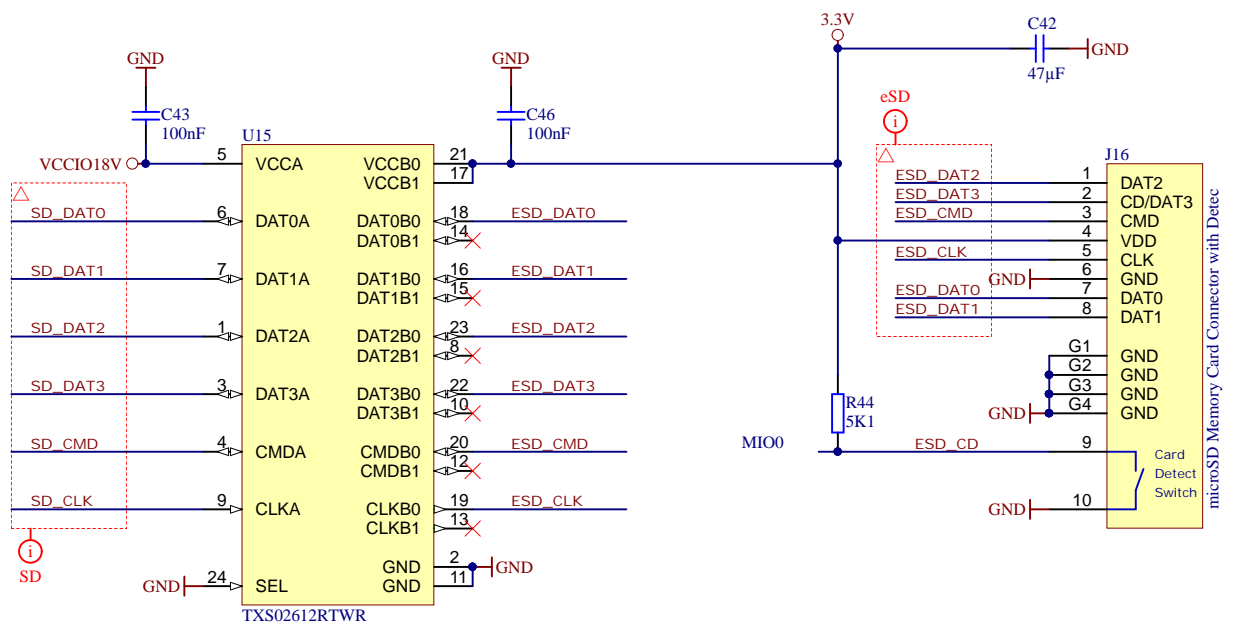
4



| | | |
|---|-----------------------|---|
| | Title: TEB0745 | |
| | A4 | Number: TEB0745 TEB0745-01 |
| | Date: 2016-05-20 | Copyright: Trenz Electronic GmbH |
| | Rev. 01 | Page 19 of 26 |
| Filename: EX_Connectors_0.SchDoc | | |



| | | | |
|--|---|---|-----------------------------|
| | Title: TEB0745 | | |
| | A4 | Number: TEB0745 TEB0745-01 | Rev. 01 |
| | Date: 2016-05-20 | Copyright: Trenz Electronic GmbH | Page 20 of 26 |
| | Filename: EX_Connectors_1.SchDoc | | |



| | | |
|----------------------------|---|-----------------------------|
| Title: TEB0745 | | |
| A4 | Number: TEB0745 TEB0745-01 | Rev. 01 |
| Date: 2016-05-20 | Copyright: Trenz Electronic GmbH | Page 21 of 26 |
| Filename: SD.schdoc | | |

1

2

3

4

A

A

B

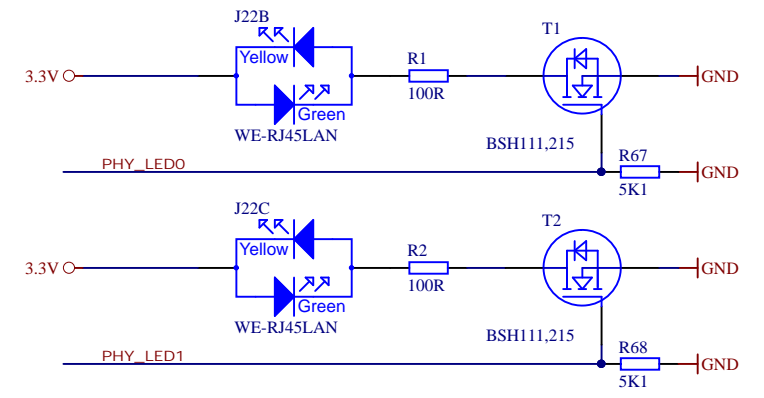
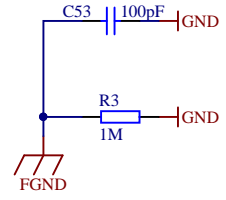
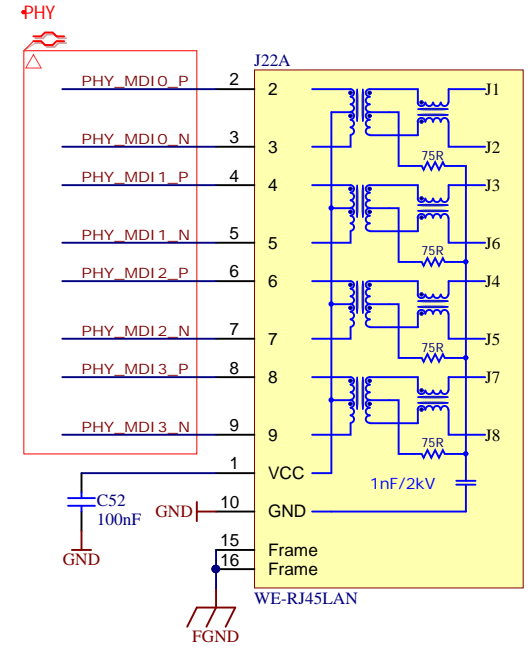
B


C

C

D

D



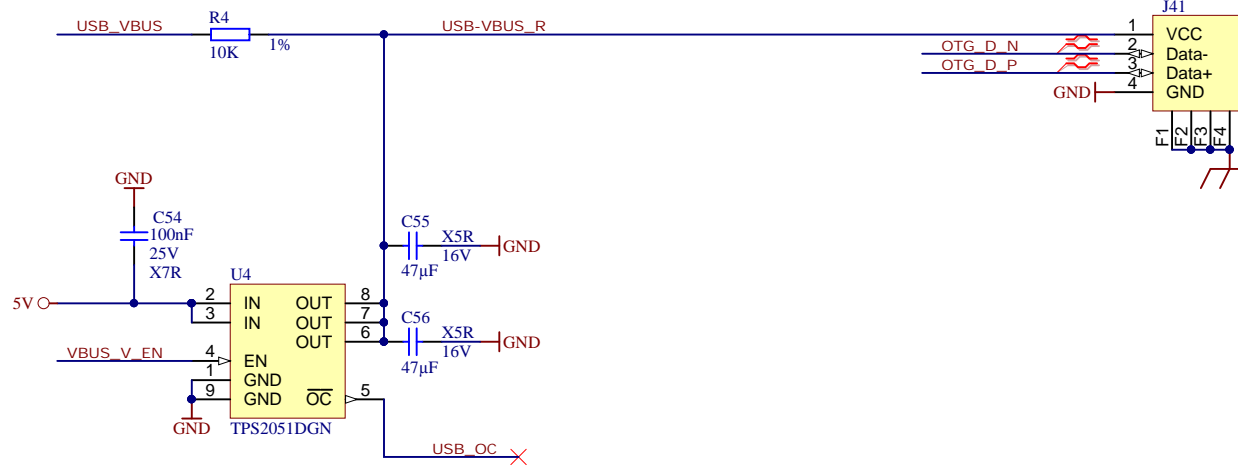
| | | | | |
|---|--|----------------------------------|----------------|-------------------------------|
|  | | | Title: TEB0745 | |
| | | | A4 | Number: TEB0745 TEB0745-01 |
| Date: 2016-05-20 | | Copyright: Trenz Electronic GmbH | | Page22 of 26 |
| Filename: ETH.SchDoc | | | | |


1

2

3

4



| | | | |
|---|-----------------------------|---|-----------------------------|
|  | Title: TEB0745 | | |
| | A4 | Number: TEB0745 TEB0745-01 | Rev. 01 |
| | Date: 2016-05-20 | Copyright: Trenz Electronic GmbH | Page 23 of 26 |
| | Filename: USB.SchDoc | | |

1

2

3

4

A

A

B

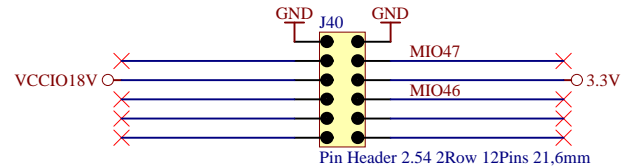
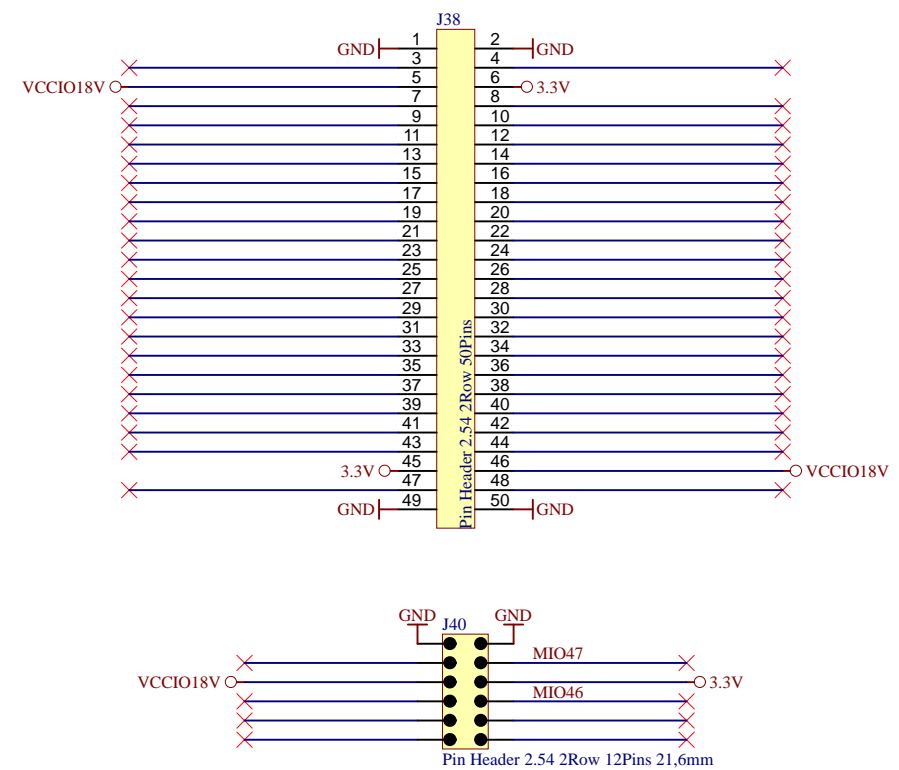
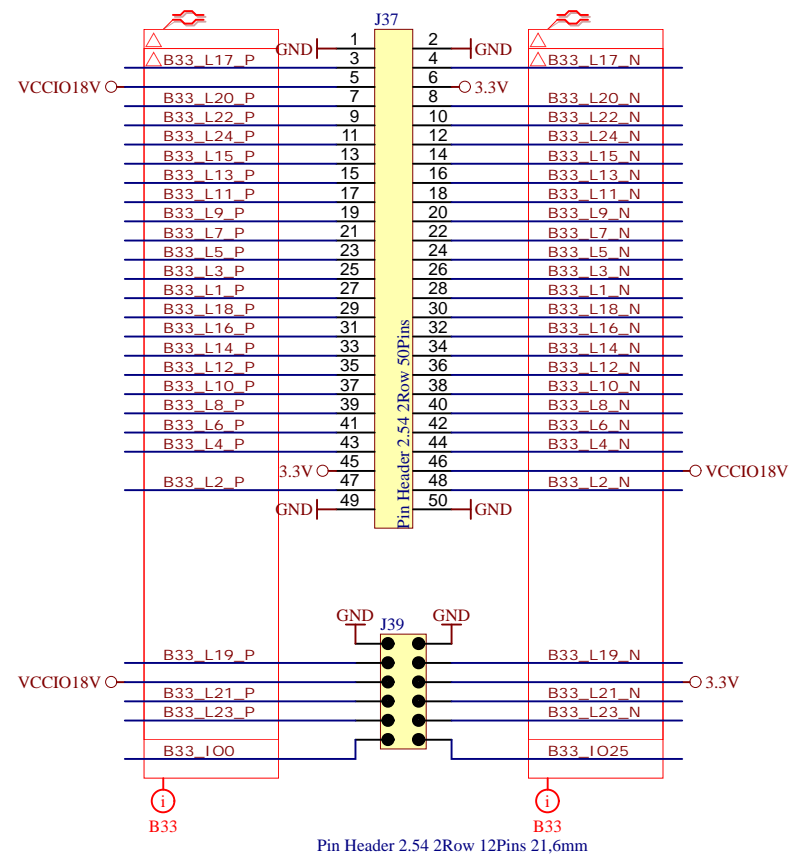
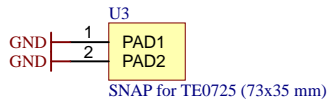
B

C

C

D

D



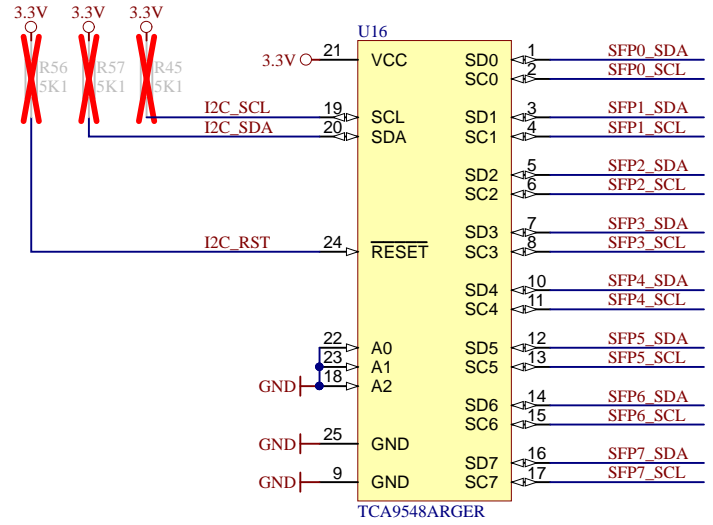
| | | | |
|--|---|---|-----------------------------|
| | Title: TEB0745 | | |
| | A4 | Number: TEB0745 TEB0745-01 | Rev. 01 |
| | Date: 2016-05-20 | Copyright: Trenz Electronic GmbH | Page 24 of 26 |
| | Filename: EX_Connectors_2.SchDoc | | |

1

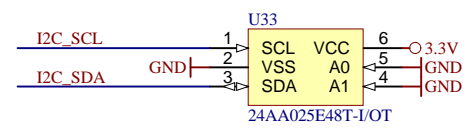
2

3

4



U16 I2C address patched to: A1 = 1110010x



U33 I2C address patched to: A2 = 1010001x

| | | | |
|--|------------------------------------|---|-----------------------------|
| | Title: TEB0745 | | |
| | A4 | Number: TEB0745 TEB0745-01 | Rev. 01 |
| | Date: 2016-05-20 | Copyright: Trenz Electronic GmbH | Page 25 of 26 |
| | Filename: I2C_system.schdoc | | |

1

2

3

4

A

A

B

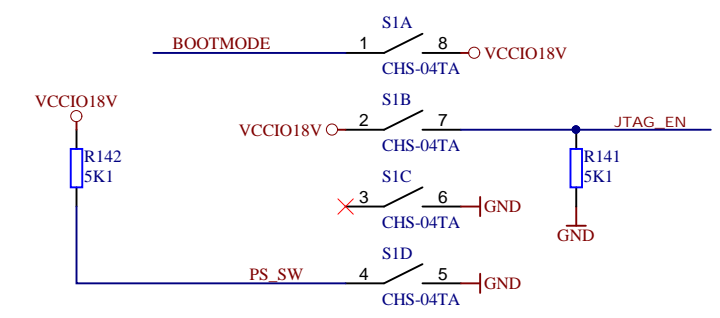
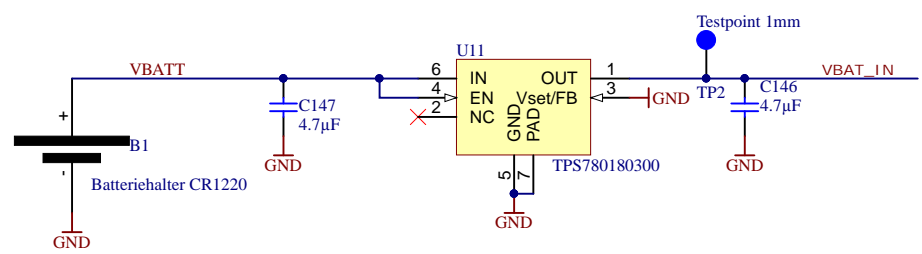
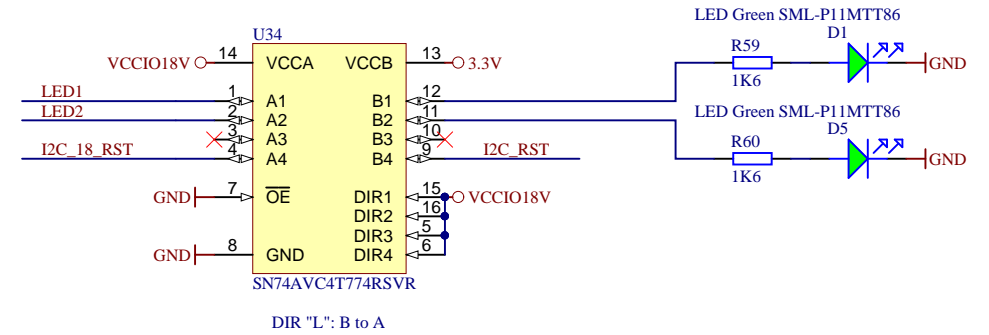
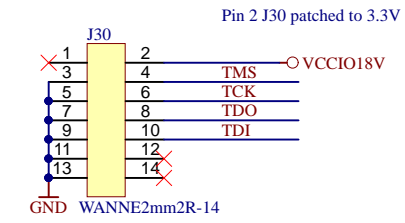
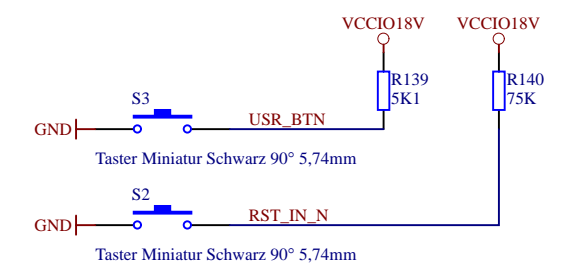
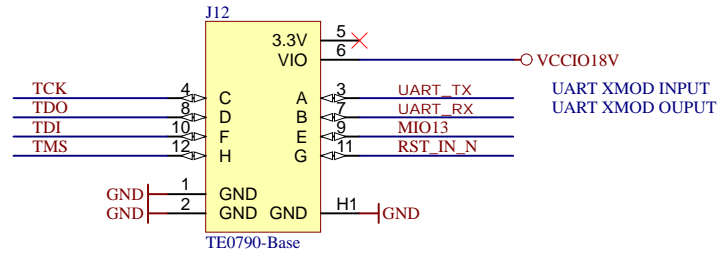
B

C

C

D

D



| | | | |
|--|------------------------------|---|-----------------------------|
| | Title: TEB0745 | | |
| | A4 | Number: TEB0745 TEB0745-01 | Rev. 01 |
| | Date: 2016-05-20 | Copyright: Trenz Electronic GmbH | Page 26 of 26 |
| | Filename: MISC.schdoc | | |

1

2

3

4