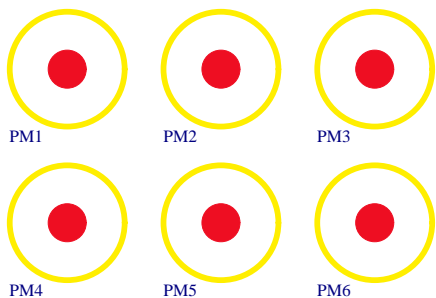
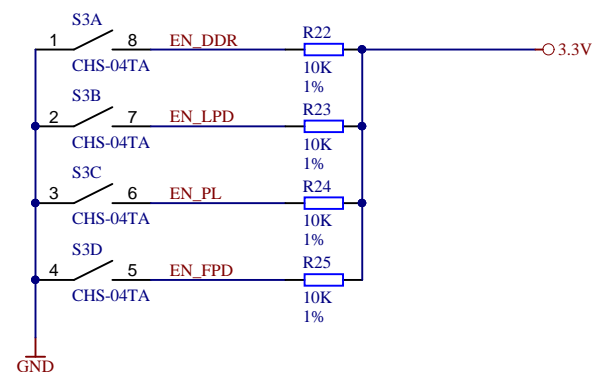
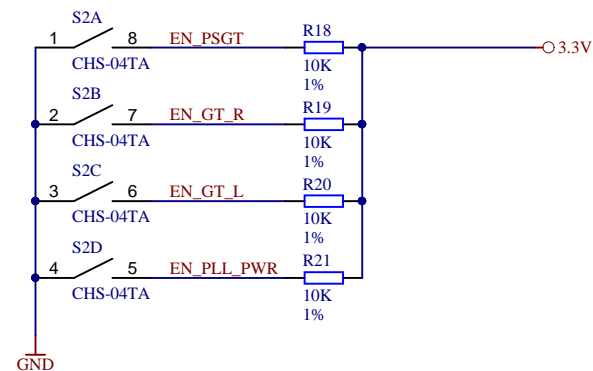
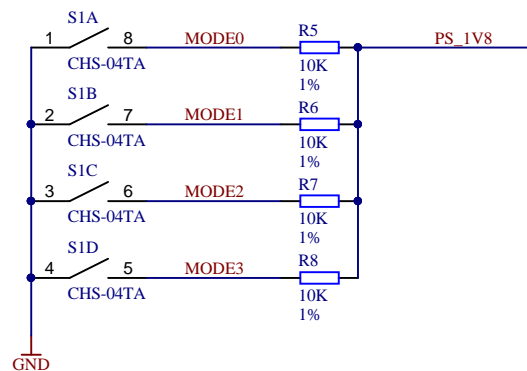
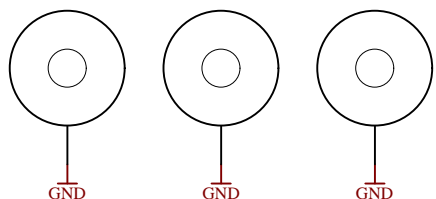


U\_B2B\_Connectors  
B2B\_Connectors.SchDoc

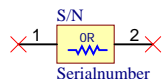
U\_xmod  
xmod.SchDoc



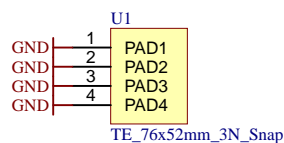
Mount.Hole 3.2mm Mount.Hole 3.2mm Mount.Hole 3.2mm




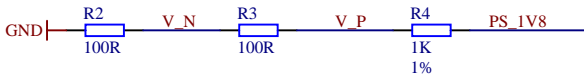
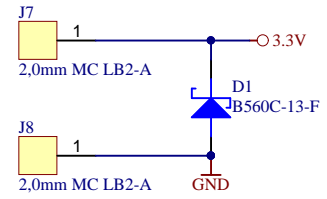
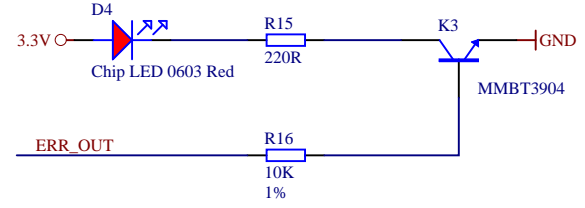
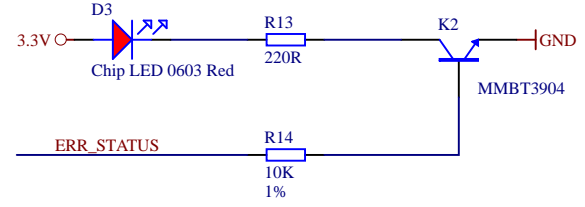
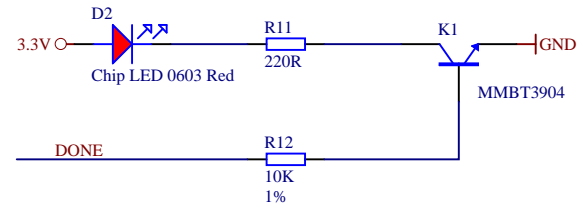
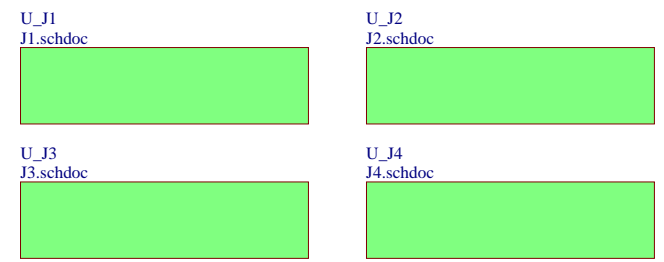
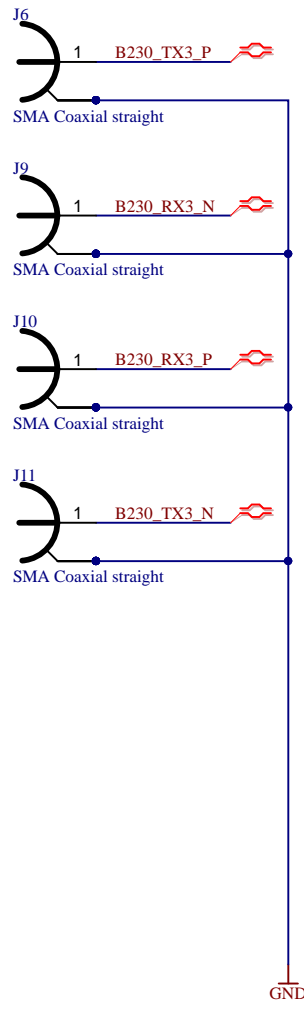
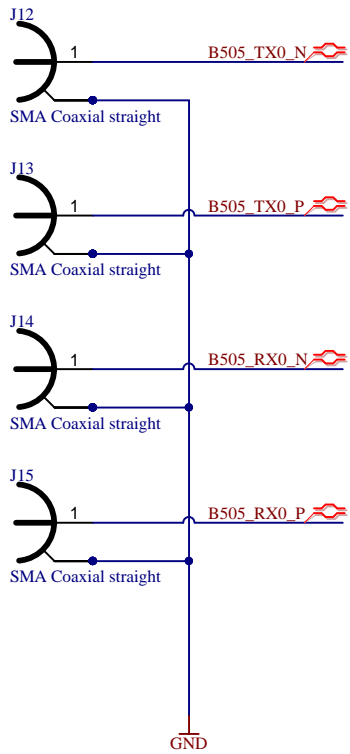
LOGO1  
TE Logo PRINT Layer  
LOGO PRINT



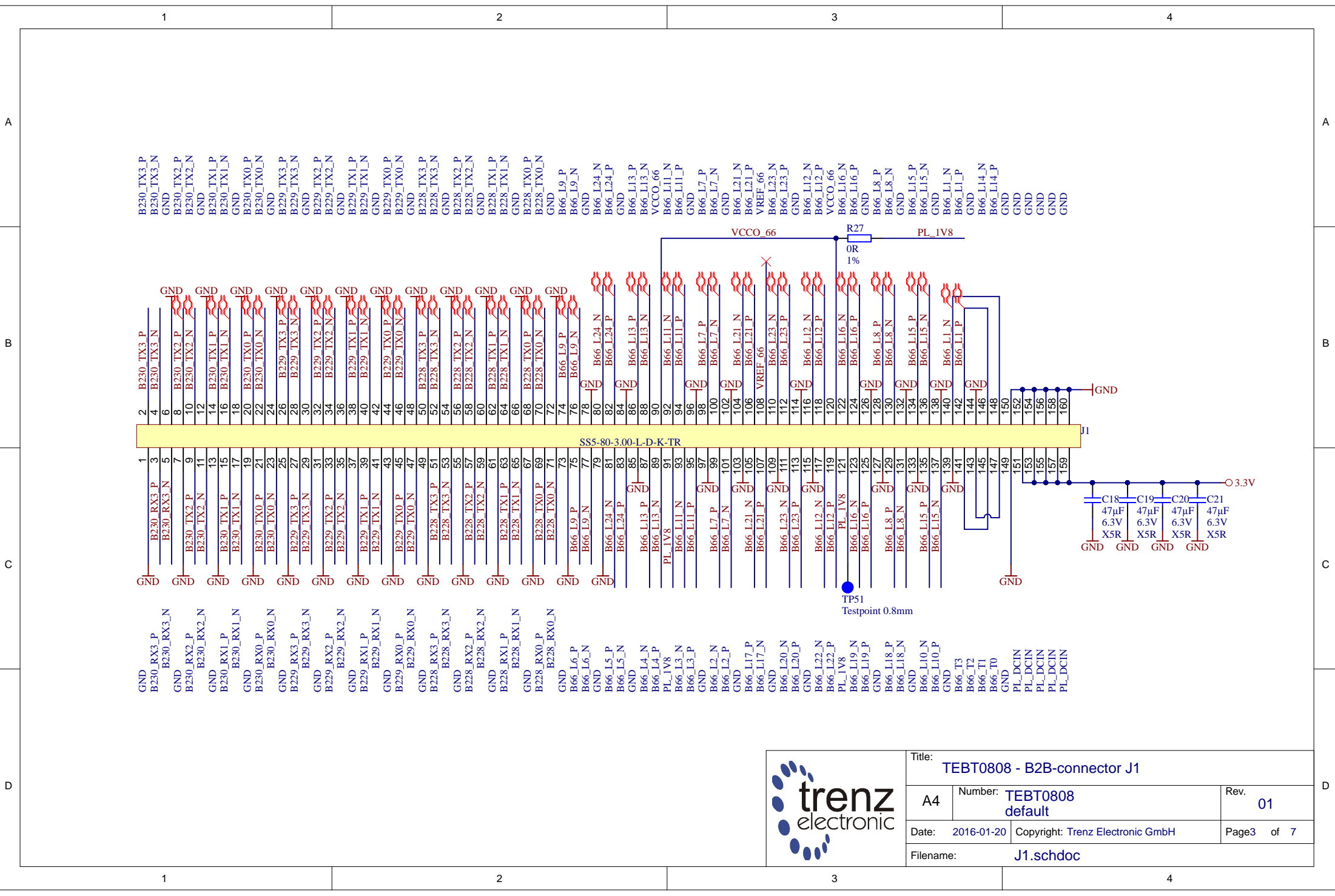
Serial  
Serial  
Serialnumber 6,3 x 6.3mm




			Title: Overview	
			A4	Number: <b>TEBT0808</b> default
Date: 2014-12-12		Copyright: Trenz Electronic GmbH		Page1 of 7
Filename: <b>TEBT0808.SchDoc</b>				



Title: <b>B2B Connector</b>		
A4	Number: <b>TEBT0808 default</b>	Rev. <b>01</b>
Date: 2014-12-12	Copyright: Trenz Electronic GmbH	Page2 of 7
Filename: <b>B2B_Connectors.SchDoc</b>		



			Title: <b>TEBT0808 - B2B-connector J1</b>	
A4	Number: <b>TEBT0808 default</b>			Rev. <b>01</b>
Date: <b>2016-01-20</b>	Copyright: <b>Trenz Electronic GmbH</b>		Page <b>3</b> of <b>7</b>	
Filename: <b>J1.schdoc</b>				

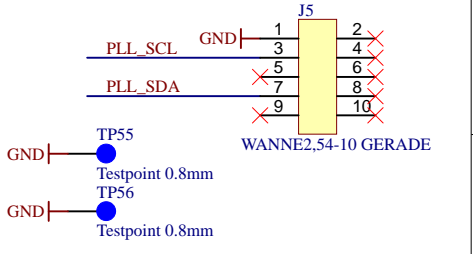
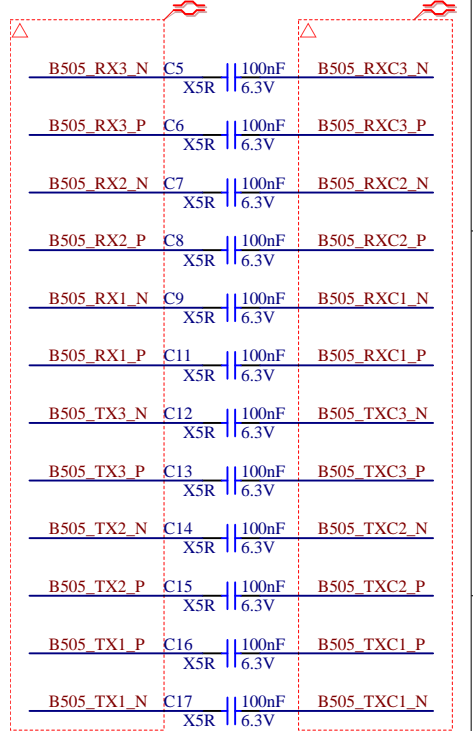
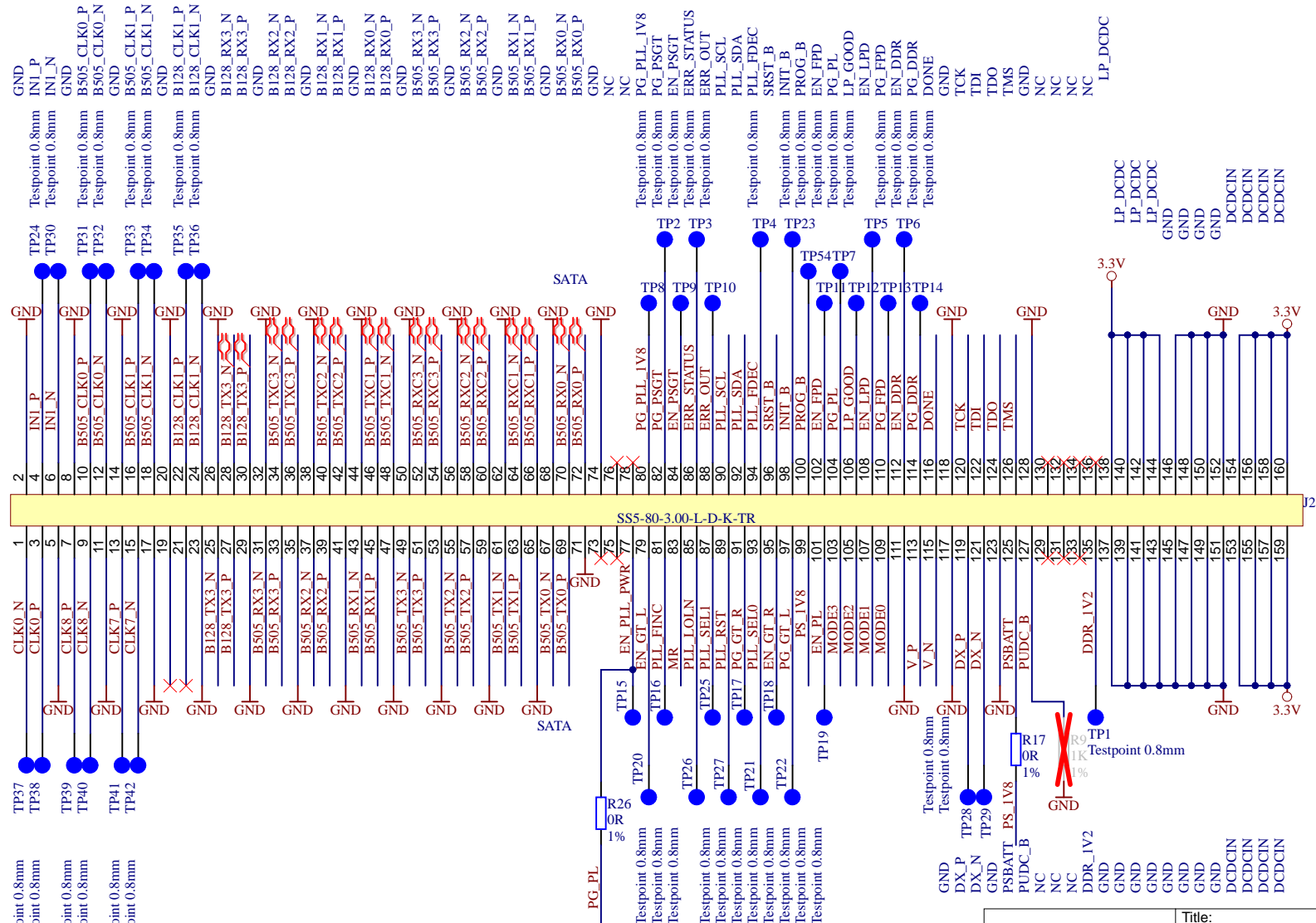
A  
B  
C  
D

1

2

3

4



Title: <b>TEBT0808 - B2B-connector J2</b>			
A4	Number: <b>TEBT0808 default</b>	Rev. <b>01</b>	
Date: <b>2016-01-20</b>	Copyright: <b>Trenz Electronic GmbH</b>		Page <b>4</b> of <b>7</b>
Filename: <b>J2.schdoc</b>			

1

2

3

4

A  
B  
C  
D

A

B

C

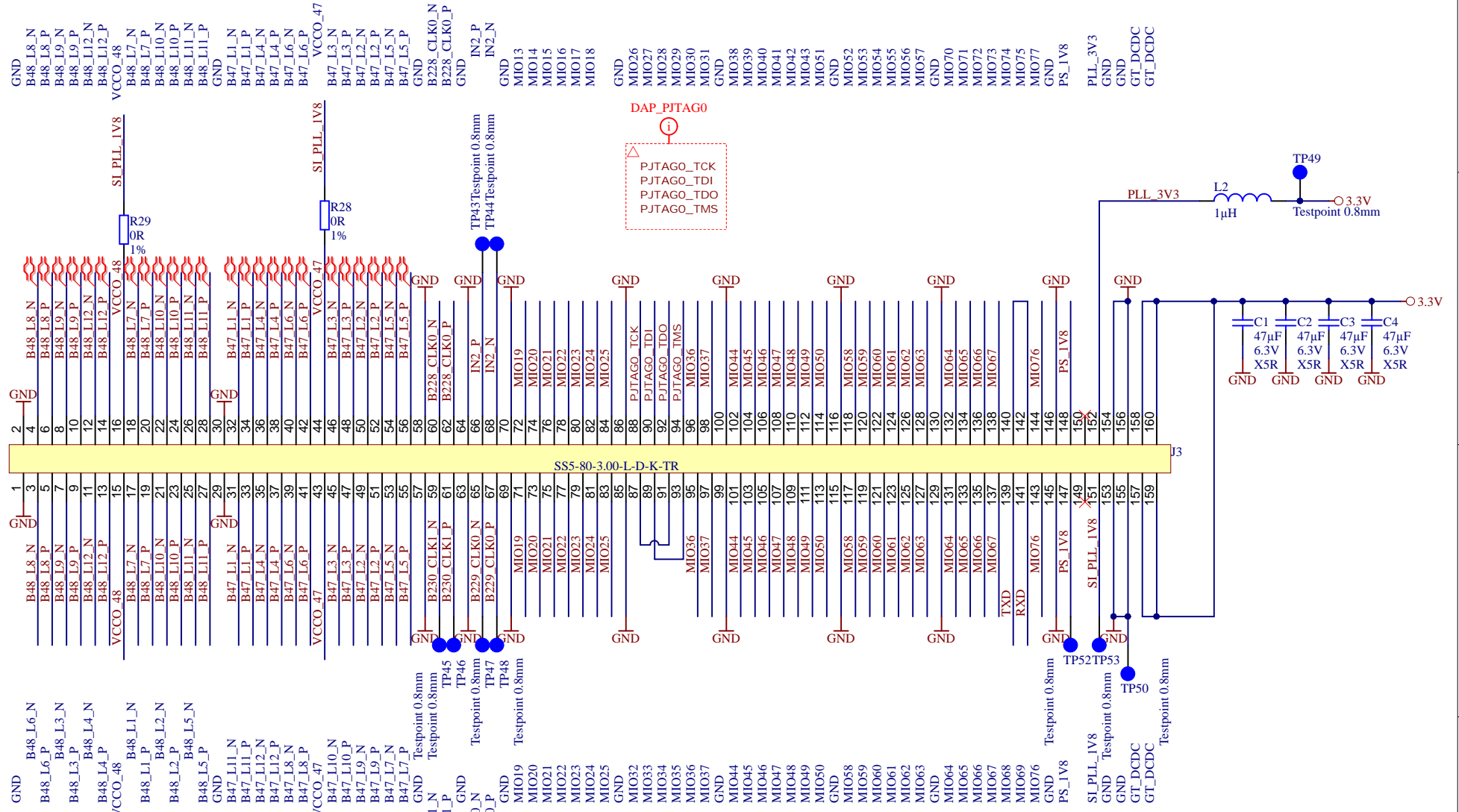
D

1

2

3

4



Title: <b>TEBT0808 - B2B-connector J3</b>		
A4	Number: <b>TEBT0808 default</b>	Rev. <b>01</b>
Date: <b>2016-01-20</b>	Copyright: <b>Trenz Electronic GmbH</b>	
Filename: <b>J3.schdoc</b>		Page <b>5</b> of <b>7</b>

1

2

3

4

A

B

C

D

A

B

C

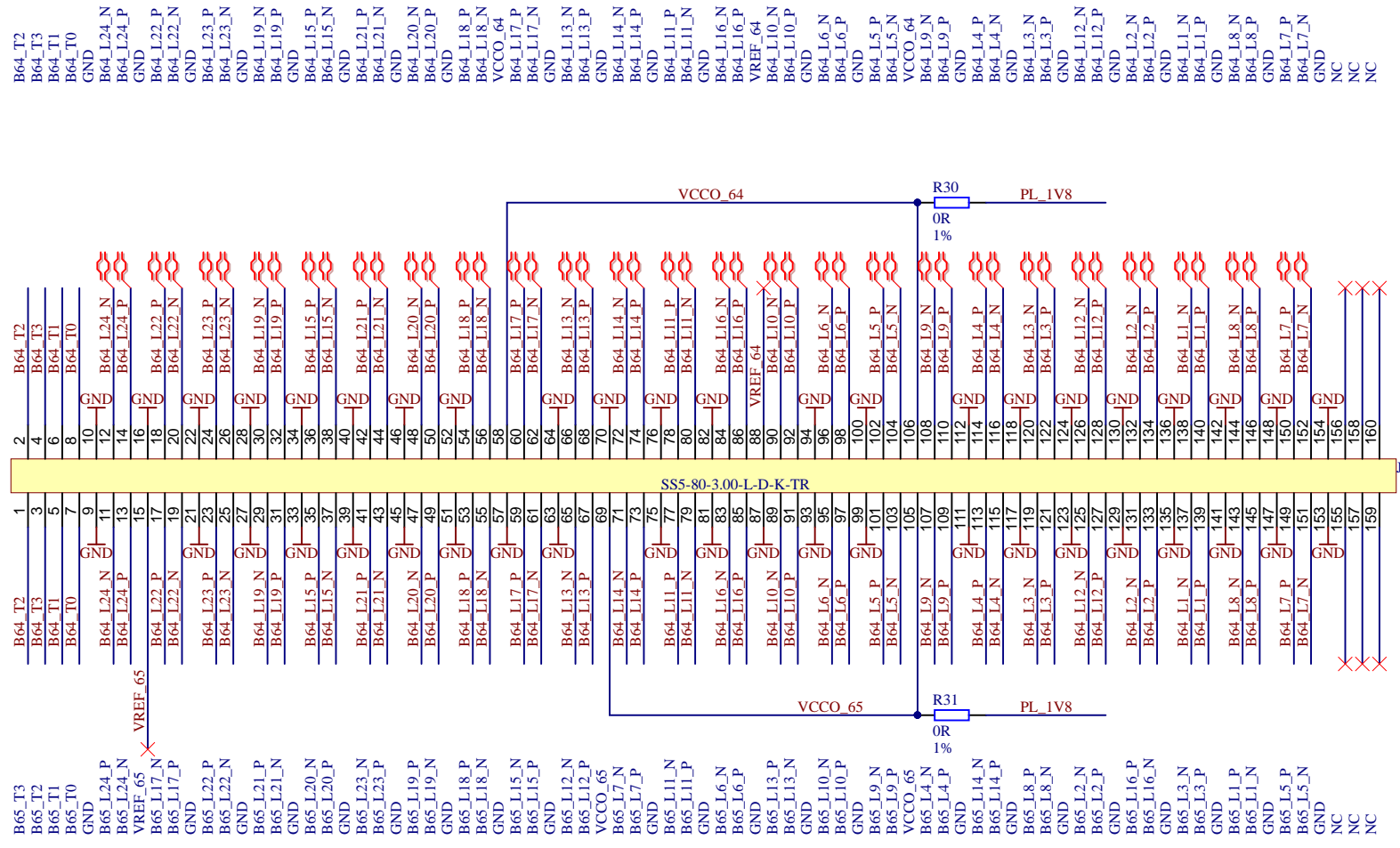
D

1

2

3

4



1

B64\_T2

B64\_T3

B64\_T1

B64\_T0

GND

B64\_L24\_N

B64\_L24\_P

B64\_L22\_P

B64\_L22\_N

B64\_L23\_P

B64\_L23\_N

B64\_L19\_N

B64\_L19\_P

B64\_L15\_P

B64\_L15\_N

B64\_L17\_P

B64\_L17\_N

B64\_L13\_P

B64\_L13\_N

B64\_L14\_N

B64\_L14\_P

B64\_L11\_P

B64\_L11\_N

B64\_L16\_N

B64\_L16\_P

VREF\_64

B64\_L10\_N

B64\_L10\_P

B64\_L6\_N

B64\_L6\_P

B64\_L5\_P

B64\_L5\_N

VCCO\_64

B64\_L9\_N

B64\_L9\_P

B64\_L4\_P

B64\_L4\_N

B64\_L3\_P

B64\_L3\_N

B64\_L12\_N

B64\_L12\_P

B64\_L2\_N

B64\_L2\_P

B64\_L1\_N

B64\_L1\_P

B64\_L8\_N

B64\_L8\_P

B64\_L7\_P

B64\_L7\_N

GND

NC

NC

B65\_T3

B65\_T2

B65\_T1

B65\_T0

GND

B65\_L24\_P

B65\_L24\_N

VREF\_65

B65\_L17\_P

B65\_L17\_N

GND

B65\_L22\_P

B65\_L22\_N

B65\_L23\_P

B65\_L23\_N

B65\_L21\_P

B65\_L21\_N

GND

B65\_L19\_P

B65\_L19\_N

B65\_L20\_P

B65\_L20\_N

B65\_L18\_P

B65\_L18\_N

GND

B65\_L15\_N

B65\_L15\_P

GND

B65\_L12\_N

B65\_L12\_P

B65\_L10\_P

B65\_L10\_N

B65\_L9\_N

B65\_L9\_P

B65\_L9\_P

B65\_L9\_P

VCCO\_65

B65\_L4\_N

B65\_L4\_P

GND

B65\_L14\_N

B65\_L14\_P

B65\_L8\_P

B65\_L8\_N

GND

B65\_L2\_N

B65\_L2\_P

GND

B65\_L16\_P

B65\_L16\_N

GND

B65\_L3\_N

B65\_L3\_P

GND

B65\_L1\_P

B65\_L1\_N

B65\_L8\_P

B65\_L8\_N

B65\_L5\_P

B65\_L5\_N

GND

NC

NC

1

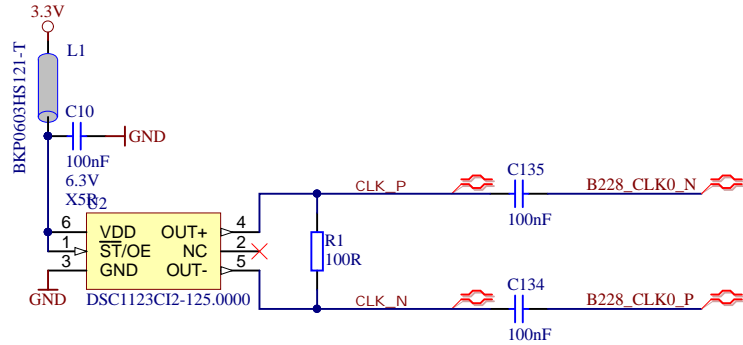
2

3

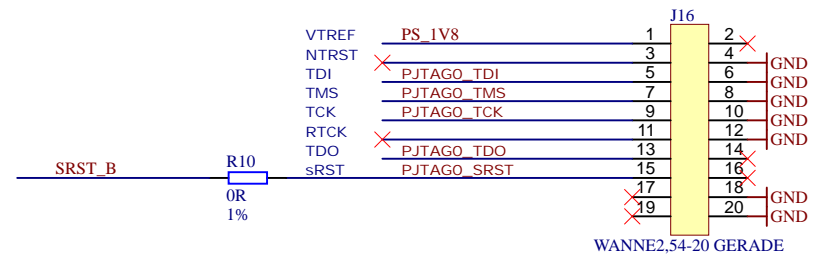
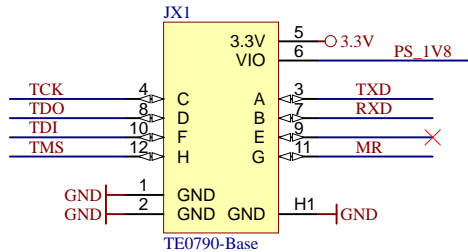
4




Title: <b>TEBT0808 - B2B-connector J4</b>		
A4	Number: <b>TEBT0808 default</b>	Rev. <b>01</b>
Date: <b>2016-01-20</b>	Copyright: <b>Trenz Electronic GmbH</b>	Page <b>6</b> of <b>7</b>
Filename: <b>J4.schdoc</b>		



XMOD-FT2232H header: JTAG and UART



		Title: <b>TEBT0808 - XMOD</b>	
		A4	Number: <b>TEBT0808 default</b>
Date: 2015-11-10		Copyright: Trenz Electronic GmbH / TT	
Page 7		of 7	
Filename: <b>xmod.SchDoc</b>			