


Photo Shows Similar Product

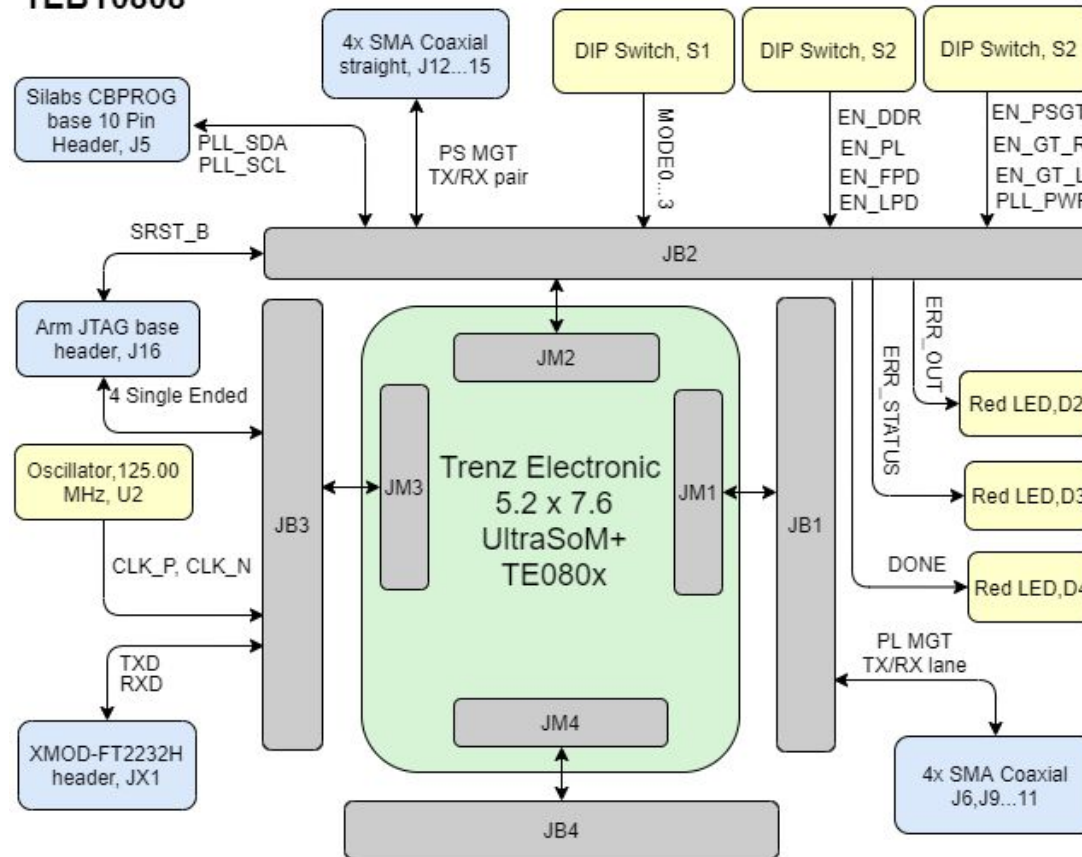
Regarding the usage of our schematics and alike documentation for Trenz baseboard TEBT0808.

Baseboard is Open Source Hardware and therefore free to use, adapt and can be modified to suit your needs as described in the "The MIT License".

Permission is hereby granted, free of charge, to any person obtaining a copy of this hardware and associated documentation files (the "Product"), to deal in the Product without restriction, including without limitation the rights to use, copy, modify, merge, publish, distribute, sublicense, and/or sell copies of the Product, and to permit persons to whom the Product is furnished to do so.

	Title: TEBT0808		
	A4	Number: TEBT0808 default	Rev. 02
	Date: 2020-09-25	Copyright: Trenz Electronic GmbH / TT	Page 1 of 10
	Filename: Legal Notices Baseboards.SchDoc		

TEBT0808



Title: TEBT0808 - System Overview		
A4	Number: TEBT0808 default	Rev. 02
Date: 2020-09-25	Copyright: Trenz Electronic GmbH	Page 2 of 10
Filename: Overview.SchDoc		

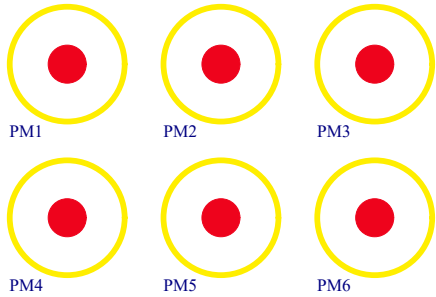
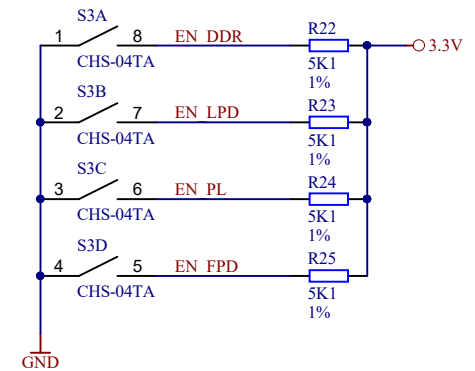
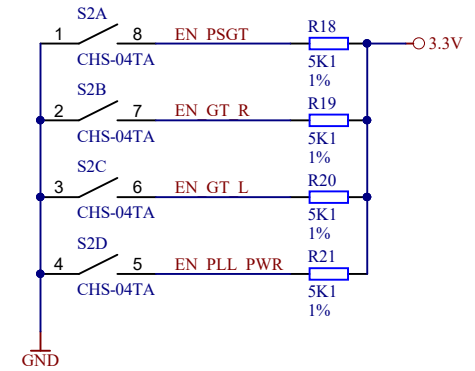
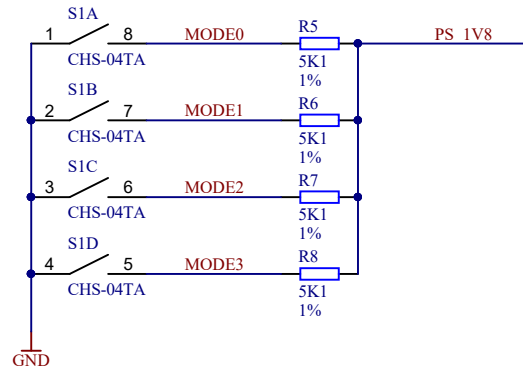
U_B2B_Connectors
B2B_Connectors.SchDoc

U_LN
Legal Notices Baseboards.SchDoc

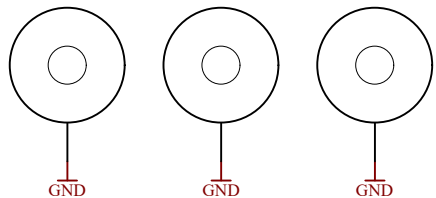
U_xmod
xmod.SchDoc

U_RH
Revision Changes.SchDoc

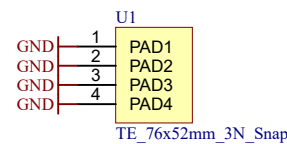
U_OV
Overview.SchDoc



Mount.Hole 3.2mm Mount.Hole 3.2mm Mount.Hole 3.2mm



LOGO1
TE Logo PRINT Layer
LOGO PRINT



Serial
Serialnumber 6,3 x 6.3mm

Design drawn by: VY

Checked by: *

Assembly variant: default

Created by:

Modified by:

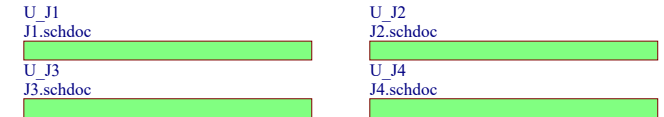
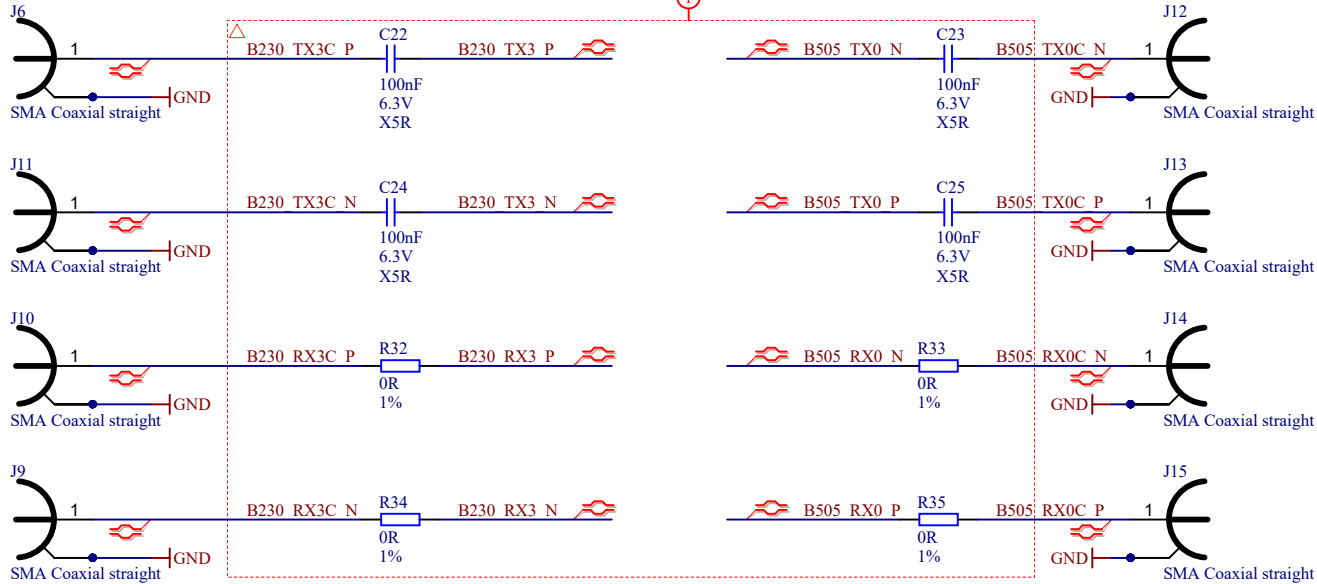
Modified at:



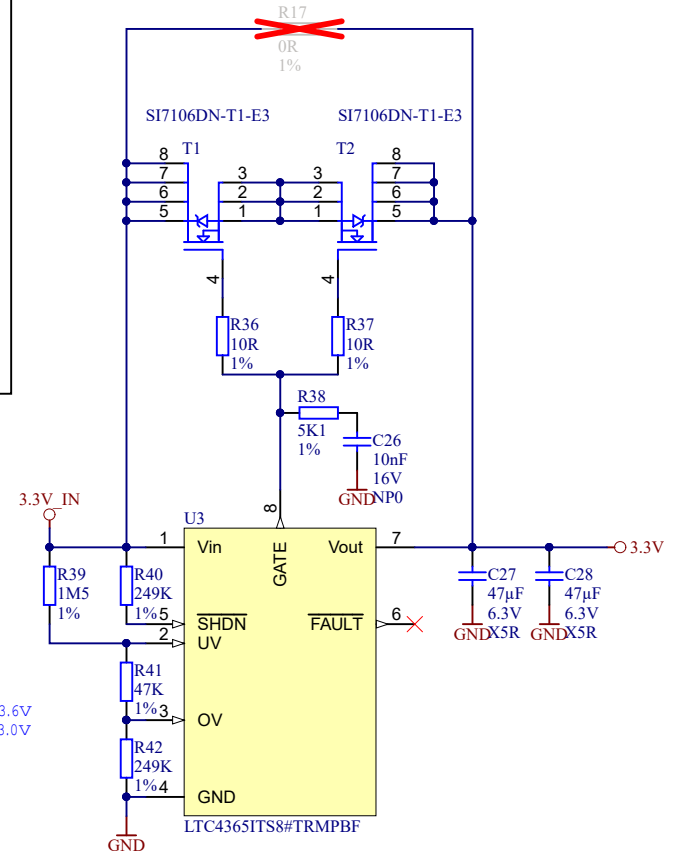
Title: TEBT0808 - Overview

A4	Number: TEBT0808 default	Rev. 02
Date: 2020-09-25	Copyright: Trenz Electronic GmbH	Page3 of 10
Filename: TEBT0808.SchDoc		

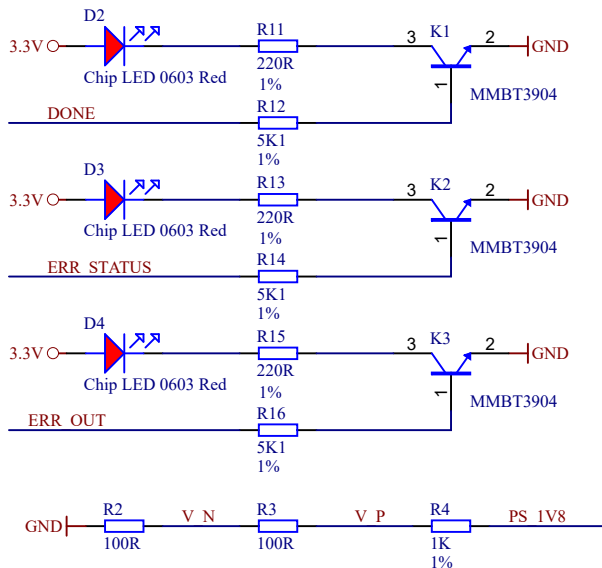
MGT data lanes



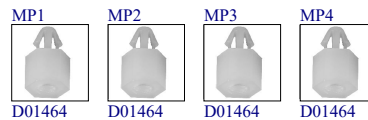
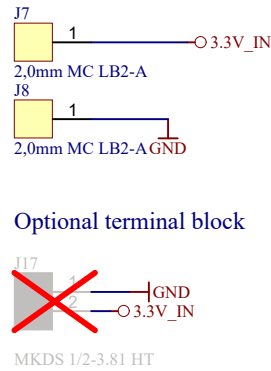
Supply Protection Controller



Status LED indicators



Power input



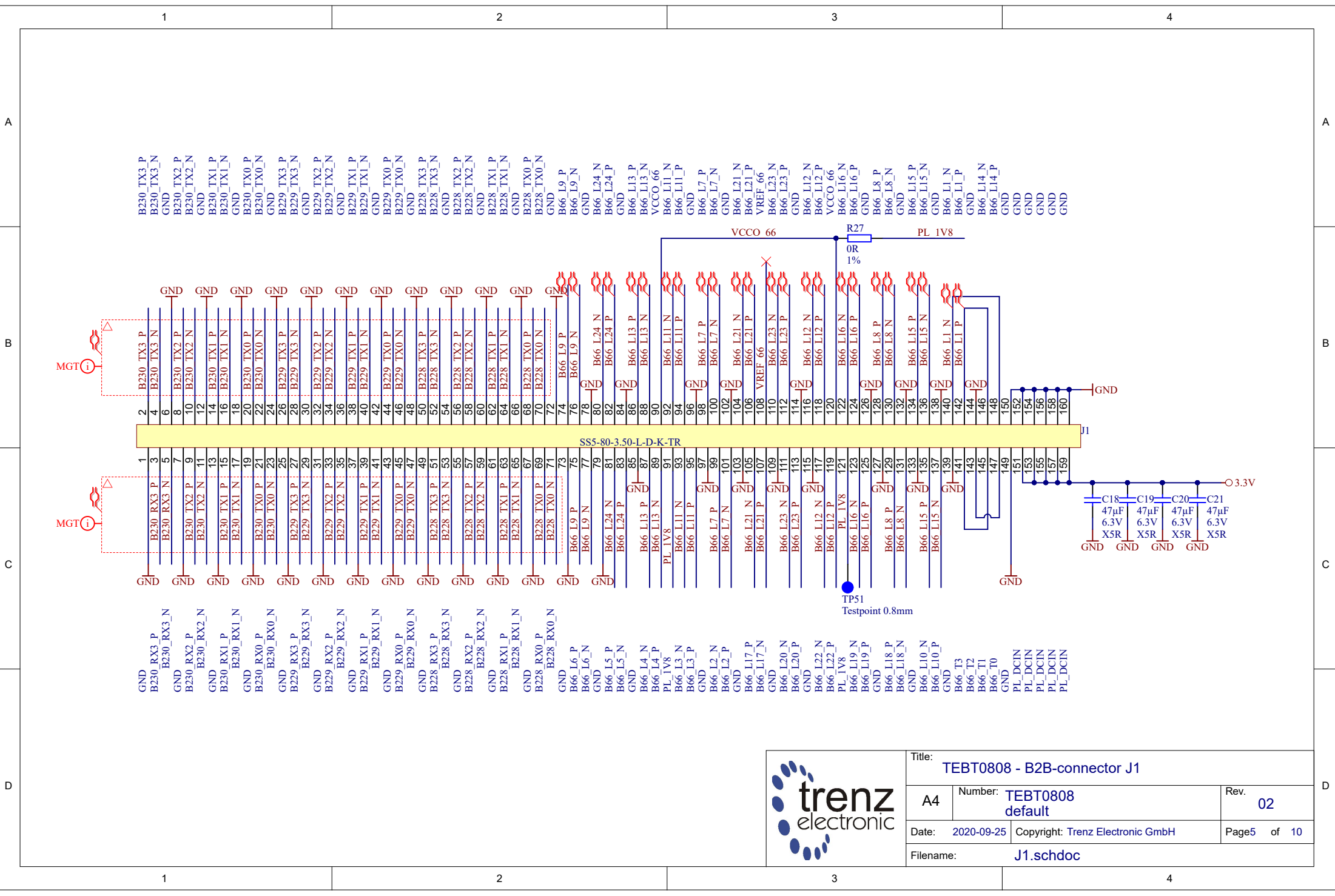
MECH1

TE Address Overlay

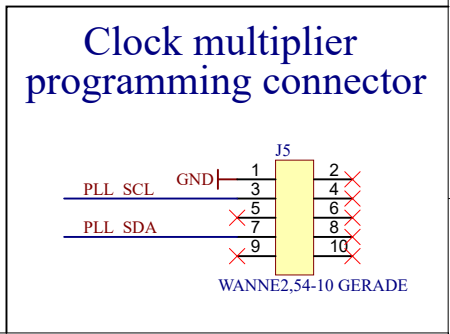
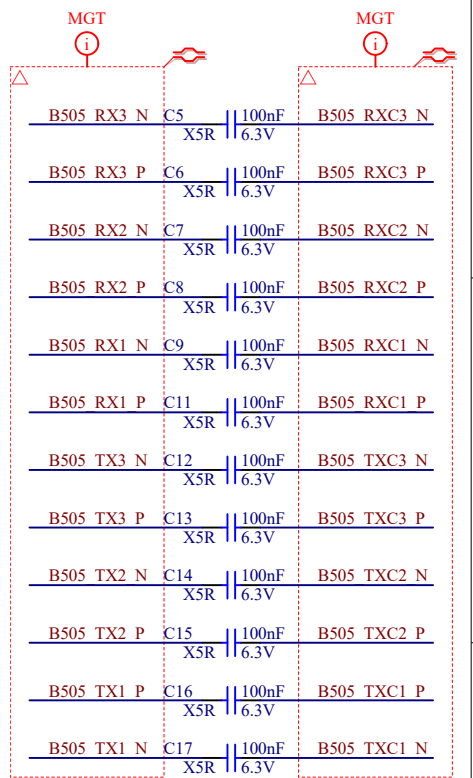
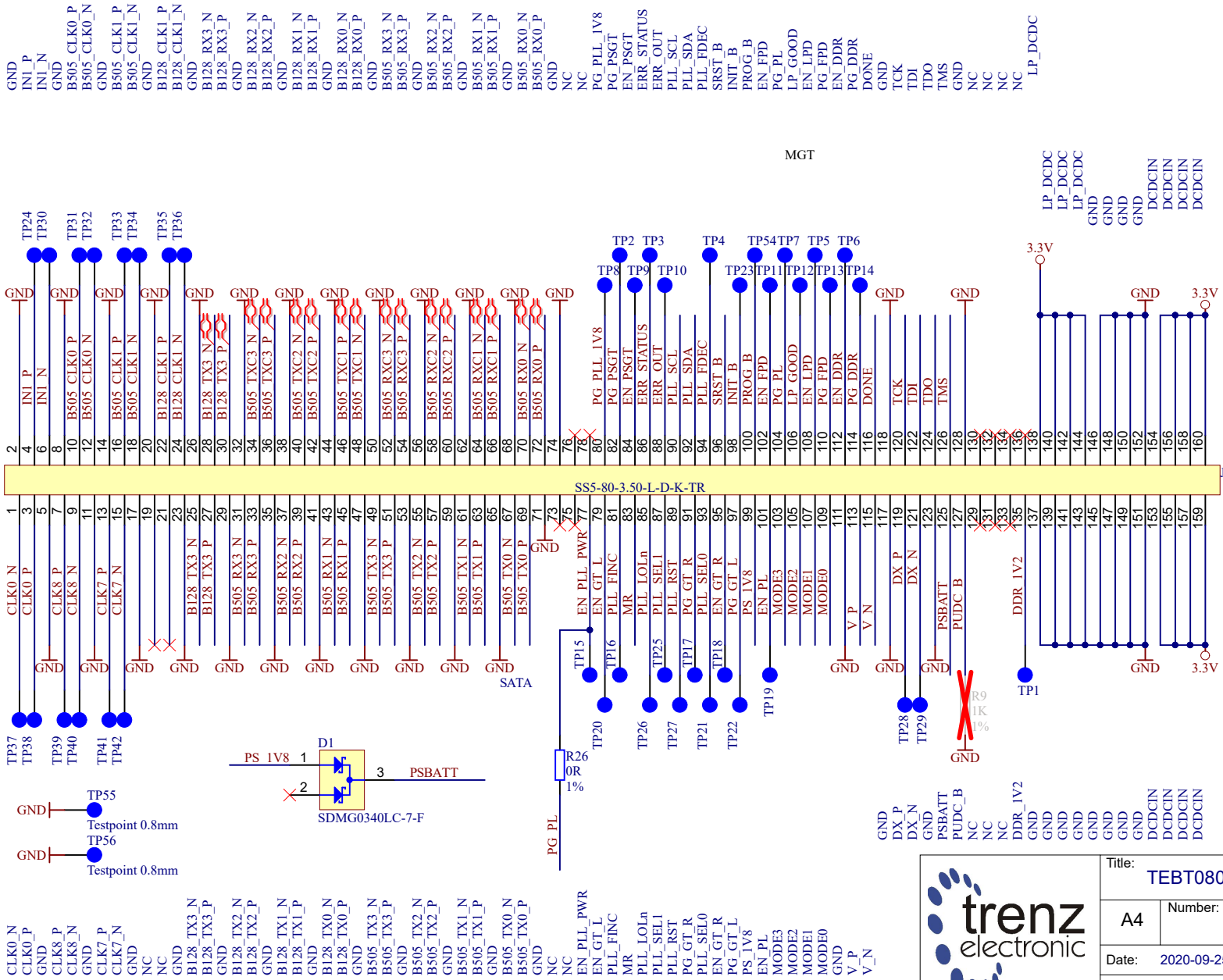
LOGO ADDRESS



Title: B2B Connector		
A4	Number: TEBT0808 default	Rev. 02
Date: 2020-09-25	Copyright: Trenz Electronic GmbH	Page4 of 10
Filename: B2B_Connectors.SchDoc		



Title: TEBT0808 - B2B-connector J1		
A4	Number: TEBT0808 default	Rev. 02
Date: 2020-09-25	Copyright: Trenz Electronic GmbH	Page 5 of 10
Filename: J1.schdoc		



trenz electronic

Title: **TEBT0808 - B2B-connector J2**

A4	Number: TEBT0808 default	Rev. 02
Date: 2020-09-25	Copyright: Trenz Electronic GmbH	Page 6 of 10
Filename: J2.schdoc		

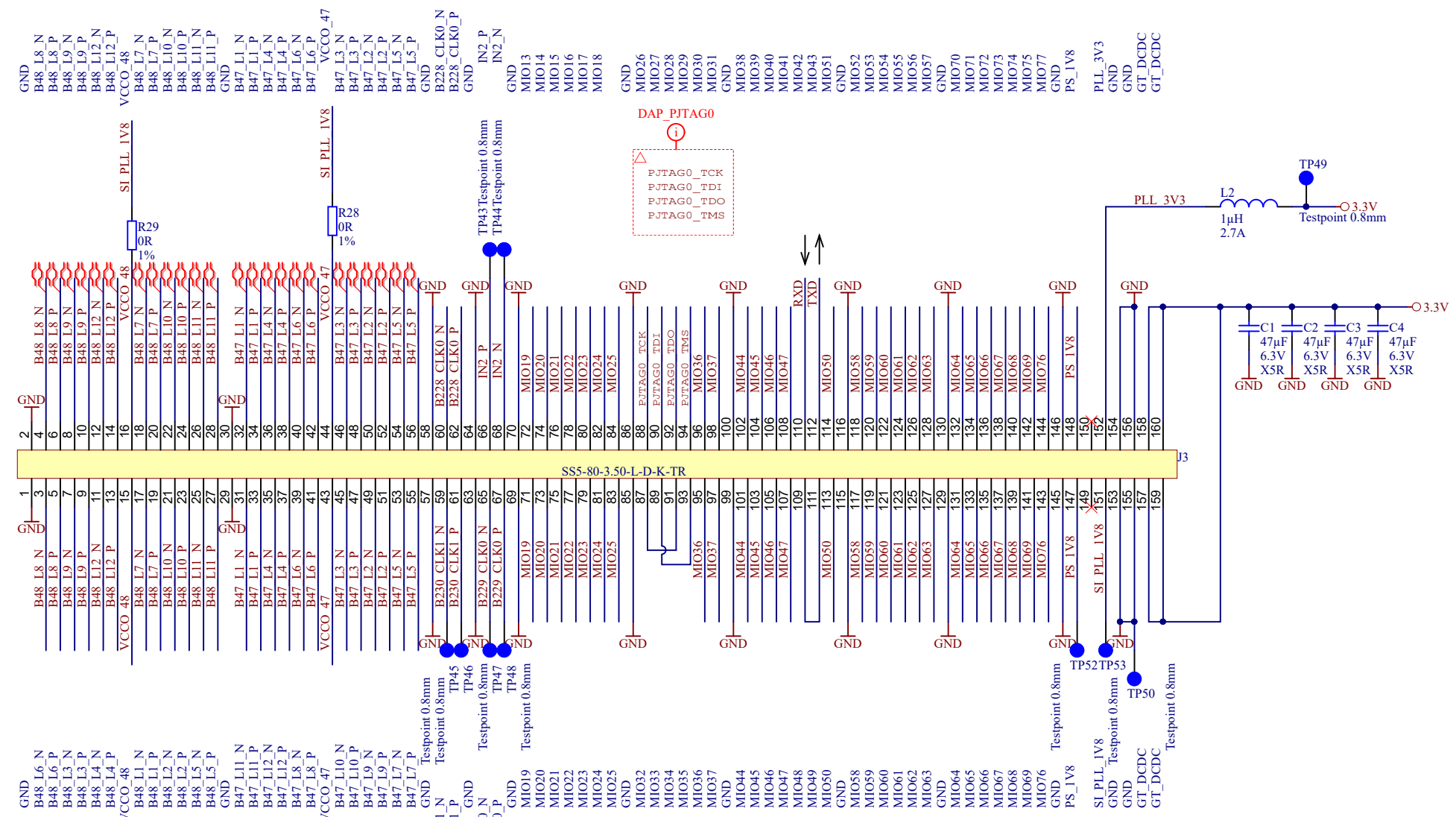
A
B
C
D

1

2

3

4



Title: TEBT0808 - B2B-connector J3		
A4	Number: TEBT0808 default	Rev. 02
Date: 2020-09-25	Copyright: Trenz Electronic GmbH	Page 7 of 10
Filename: J3.schdoc		

1

2

3

4

A

B

C

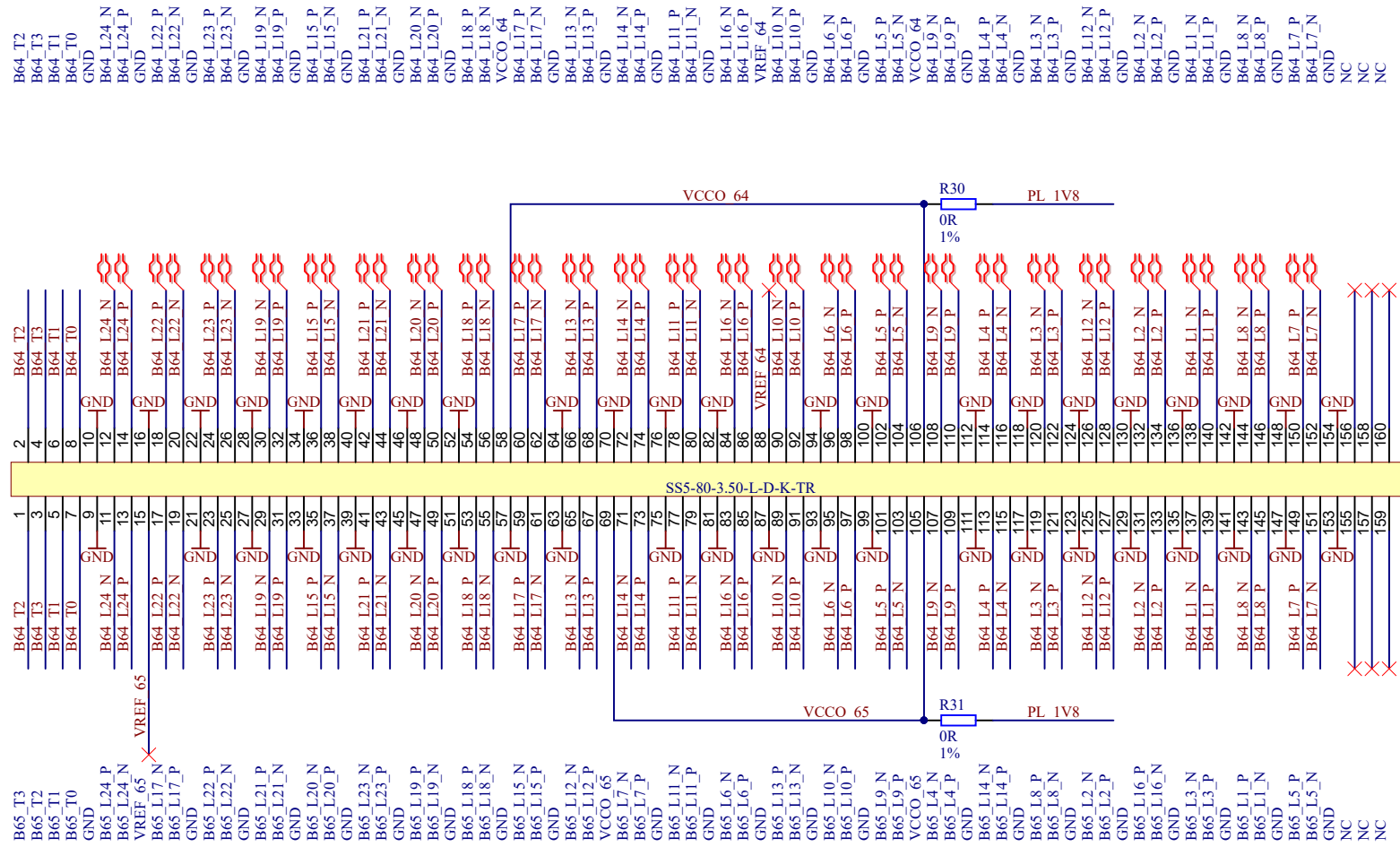
D

1

2

3

4



B65_T3

B65_T2

B65_T1

B65_T0

GND

B65_L24_P

B65_L24_N

VREF_65

B65_L17_P

B65_L17_N

GND

B65_L22_P

B65_L22_N

GND

B65_L23_P

B65_L23_N

GND

B65_L21_P

B65_L21_N

GND

B65_L20_P

B65_L20_N

GND

B65_L23_P

B65_L23_N

GND

B65_L19_P

B65_L19_N

GND

B65_L15_P

B65_L15_N

GND

B65_L21_P

B65_L21_N

GND

B65_L20_P

B65_L20_N

GND

B65_L18_P

B65_L18_N

GND

B65_L15_N

B65_L15_P

GND

B65_L12_N

B65_L12_P

GND

VCCO_65

B65_L7_N

B65_L7_P

GND

B65_L11_N

B65_L11_P

GND

B65_L6_N

B65_L6_P

GND

B65_L13_P

B65_L13_N

GND

B65_L10_N

B65_L10_P

GND

B65_L9_N

B65_L9_P

GND

VCCO_65

B65_L4_N

B65_L4_P

GND

B65_L14_N

B65_L14_P

GND

B65_L8_P

B65_L8_N

GND

B65_L2_N

B65_L2_P

GND

B65_L16_P

B65_L16_N

GND

B65_L3_N

B65_L3_P

GND

B65_L1_P

B65_L1_N

GND

B65_L5_P

B65_L5_N

GND

NC

NC

NC



Title: TEBT0808 - B2B-connector J4		
A4	Number: TEBT0808 default	Rev. 02
Date: 2020-09-25	Copyright: Trenz Electronic GmbH	Page 8 of 10
Filename: J4.schdoc		

1

2

3

4

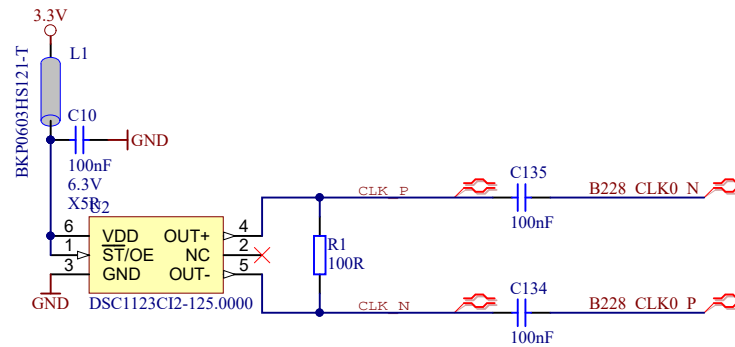
A

B

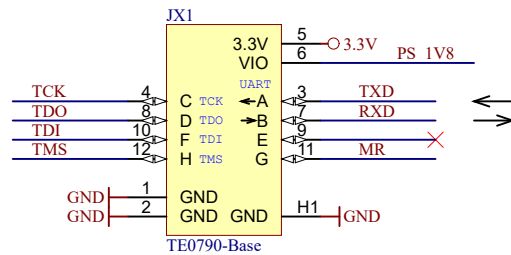
C

D

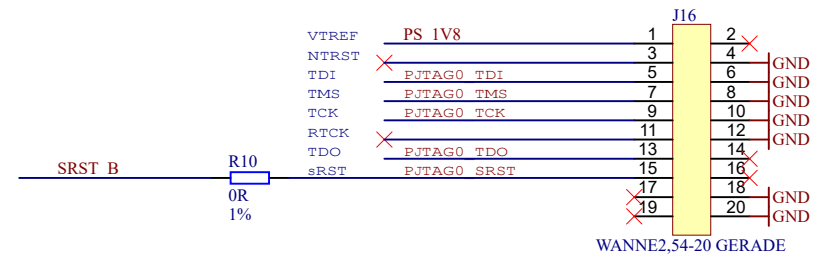
Reference MGT Clock source



XMOD-FT2232H header: JTAG and UART



PJTAG



Title: TEBT0808 - XMOD		
A4	Number: TEBT0808 default	Rev. 02
Date: 2020-09-25	Copyright: Trenz Electronic GmbH / TT	Page 9 of 10
Filename: xmod.SchDoc		

1

2

3

4

REV	Description	
-01	Initial revision	VY
-02	1. Changed UART MIO location from MIO68..69 to MIO42..43. 2. Updated loop back MIO connection: - MIO48 connected to MIO49; - MIO68 connected to MIO74; - MIO69 connected to MIO75. 3. Removed obsolete traceability pad. 4. Added MGT TX AC coupling capacitors C22..25. Added MGT RX 0Ohm jumpers R32..35. 5. Added power protection circuitry U3 (overvoltage, undervoltage and reverse supply protection). 6. Added a Schottky diode D1 to PS_BATT power supply circuit. 7. Replaced obsolete inductor L2 (74479787210A). New part is MAMK2520T1R0M. 8. Resistors 10K was replaced by 5K1 due BOM optimization. 9. Added placeholder for 3.81 mm pitch terminal block for alternative module power supply	VY

A

A

B


B

C

C

D

D

			Title: TEBT0808 - Revision History		
			A4	Number: TEBT0808 default	Rev. 02
Date: 2020-09-25		Copyright: Trenz Electronic GmbH		Page 10 of 10	
Drawn by: VY			Filename: Revision Changes.SchDoc		

1

2

3

4