

1

2

3

4

U_DDR-RAM
DDR-RAM.SchDoc



U_B13
B13.SchDoc



U_B34
B34.SchDoc



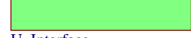
U_B35
B35.SchDoc



U_MIO_B500
MIO_B500.SchDoc



U_MIO_B501
MIO_B501.SchDoc



U_Interface
Interface.SchDoc



U_Power
Power.SchDoc



U_PS-DRR
PS-DRR.SchDoc



U_PowerOverview
PowerOverview.SchDoc



U_ETH-PHY
ETH-PHY.SchDoc



U_ZYNC_POWER
ZYNC_POWER.SchDoc



U_ZYNQ_MISC
ZYNQ_MISC.SchDoc



U_B33
B33.SchDoc



U_IND_ETH-PHY
IND_ETH-PHY.SchDoc



U_USB-PHY
USB-PHY.SchDoc



U_eMMC
eMMC.SchDoc



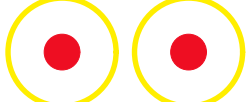
U_SENSOR-RTC
SENSOR-RTC.SchDoc



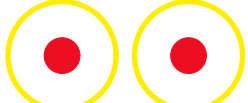
U_CPLD
CPLD.SchDoc



FIDU-DOT - small FIDU-DOT - small



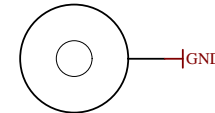
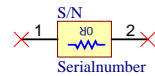
PM1 PM2
FIDU-DOT - small FIDU-DOT - small



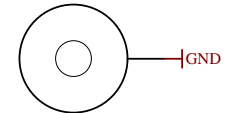
PM3 PM4
FIDU-DOT - small FIDU-DOT - small



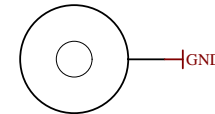
PM5 PM6



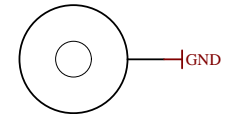
Mount.Hole 3.2mm für Unterlegscheibe



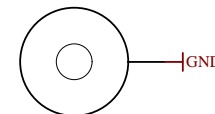
Mount.Hole 3.2mm für Unterlegscheibe



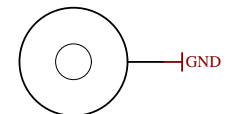
Mount.Hole 3.2mm für Unterlegscheibe



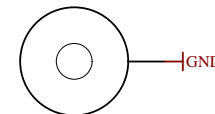
Mount.Hole 3.2mm für Unterlegscheibe



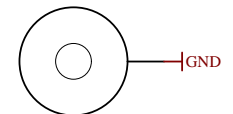
Mount.Hole 3.2mm für Unterlegscheibe



Mount.Hole 3.2mm für Unterlegscheibe



Mount.Hole 3.2mm für Unterlegscheibe



Mount.Hole 3.2mm für Unterlegscheibe



Title: TE0729		
A4	Number: TE0729 2IF	Rev. 02
Date: 2016-05-02	Copyright: Trenz Electronic GmbH / TT	Page1 of 20
Filename: TE0729.SchDoc		

1

2

3

4

A

A

B

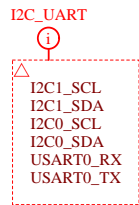
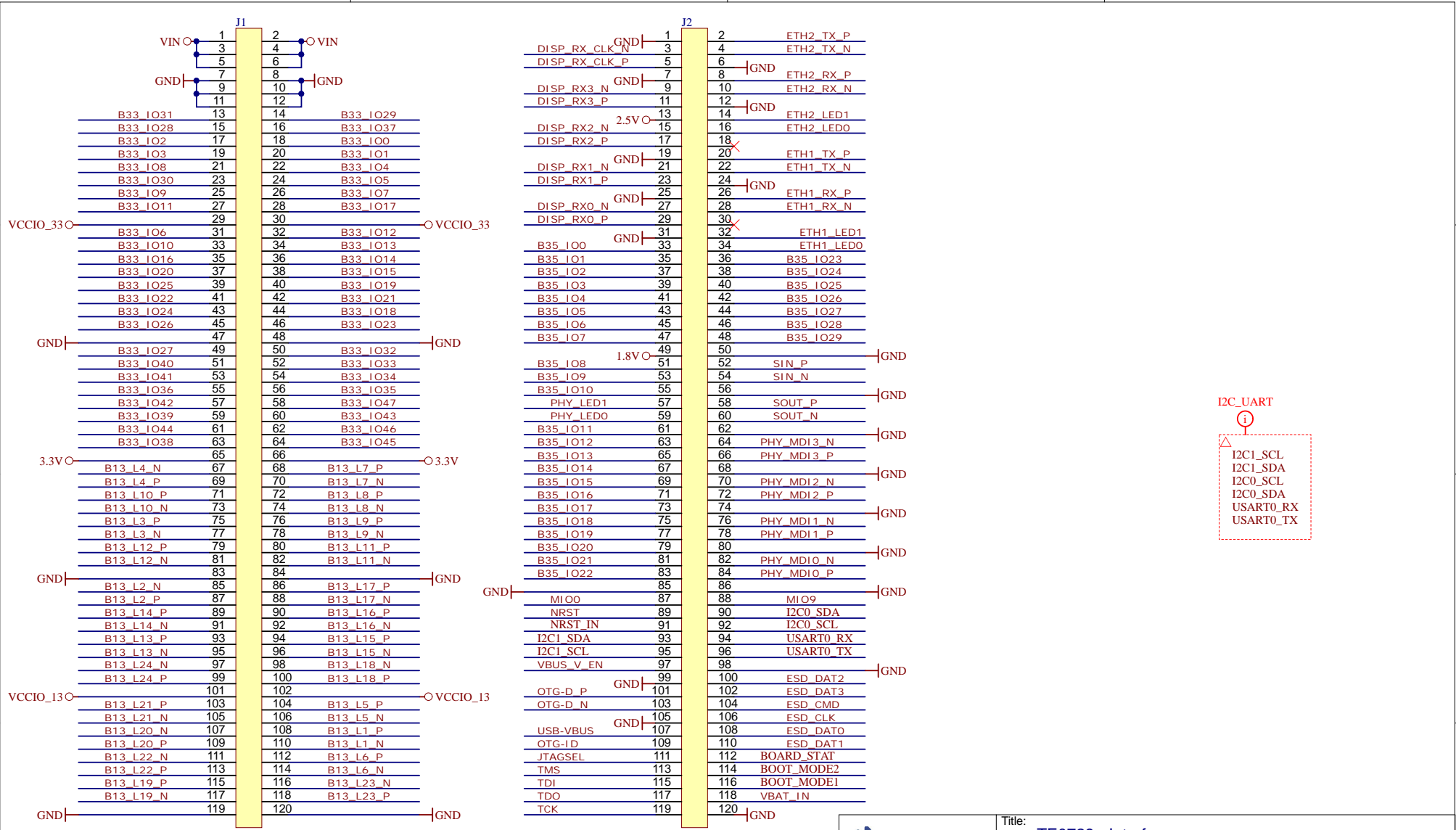
B

C

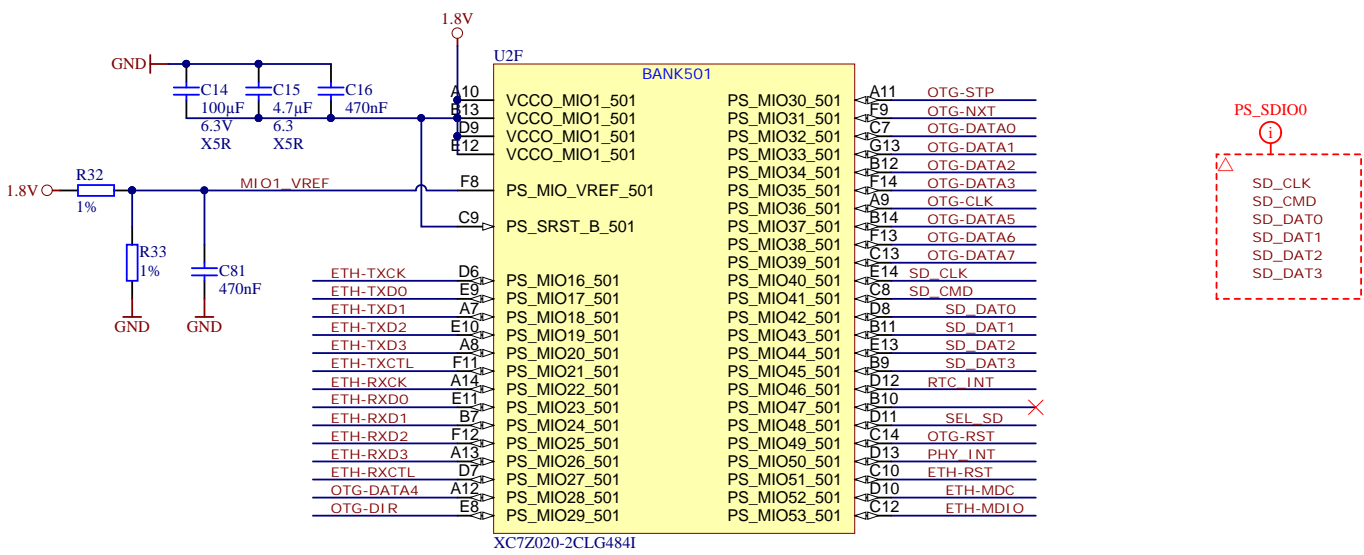
C

D

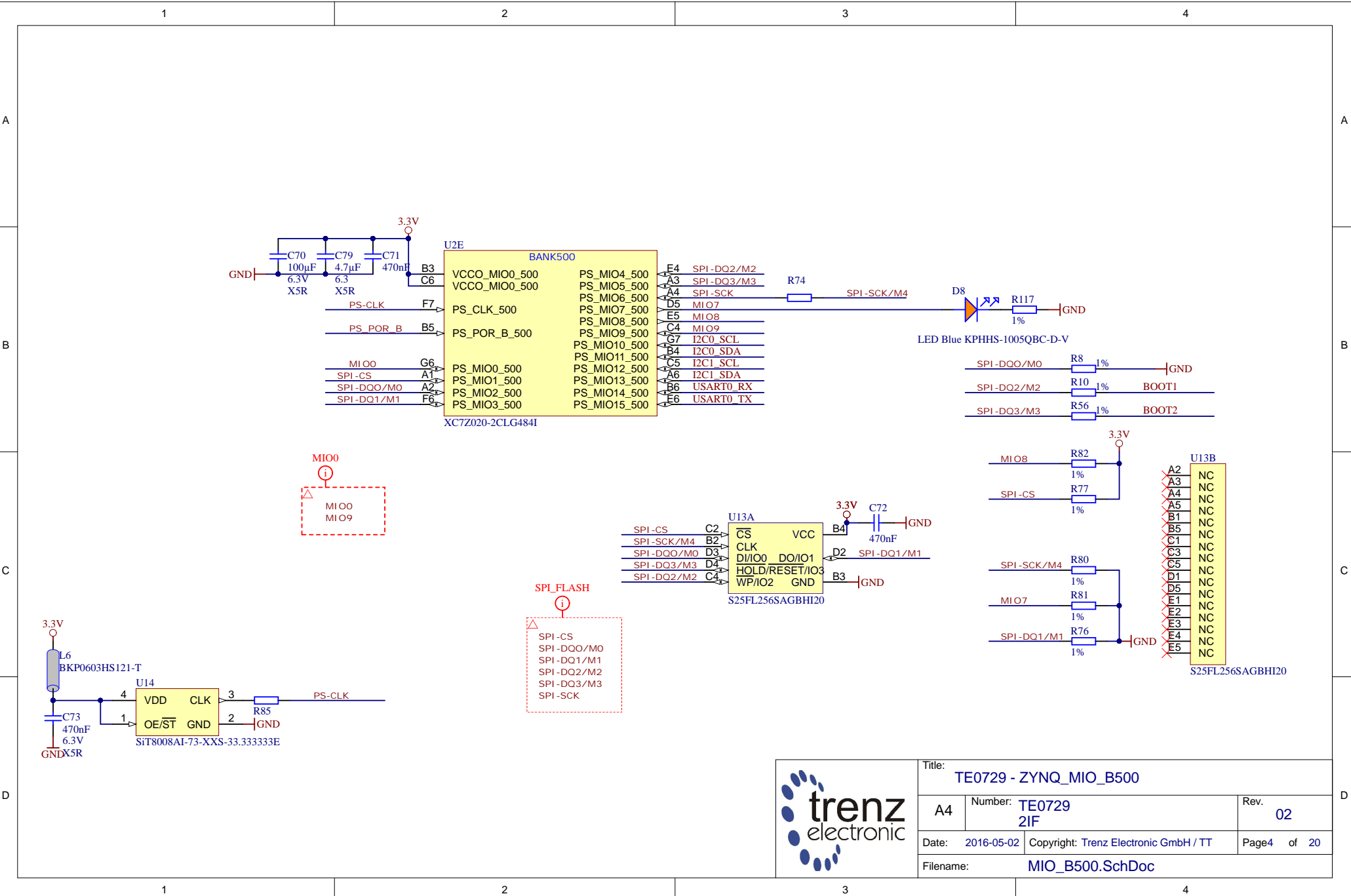
D



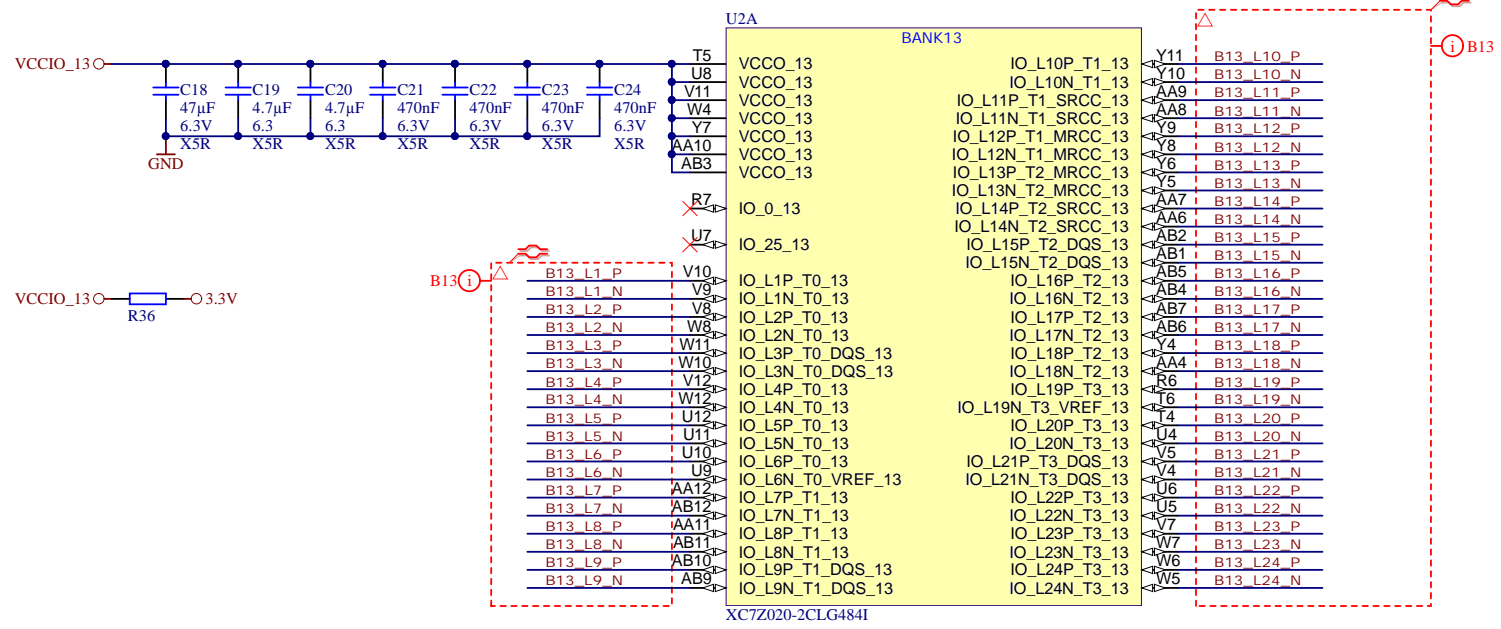
Title: TE0729 - Interface		
A4	Number: TE0729 2IF	Rev. 02
Date: 2016-05-02	Copyright: Trenz Electronic GmbH / TT	Page2 of 20
Filename: Interface.SchDoc		




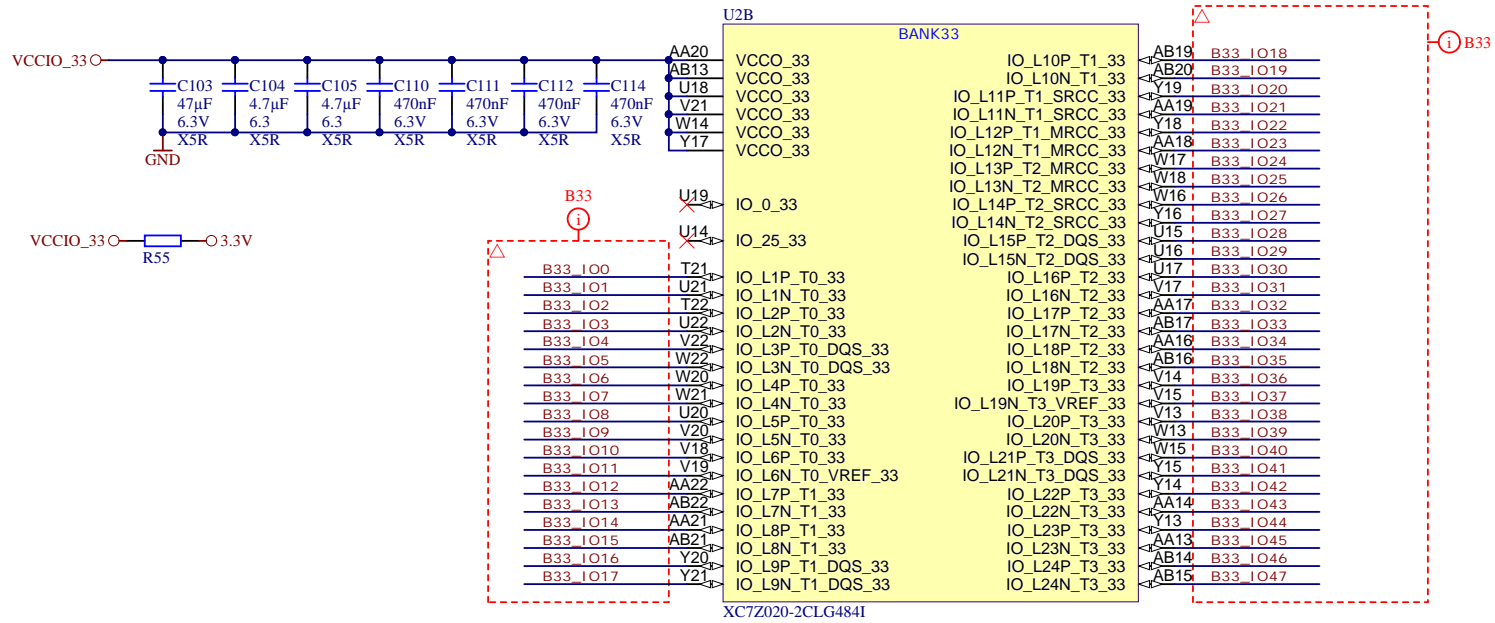
	Title: TE0729 - ZYNQ_MIO_B501		
	A4	Number: TE0729 2IF	Rev. 02
	Date: 2016-05-02	Copyright: Trenz Electronic GmbH / TT	Page3 of 20
	Filename: MIO_B501.SchDoc		



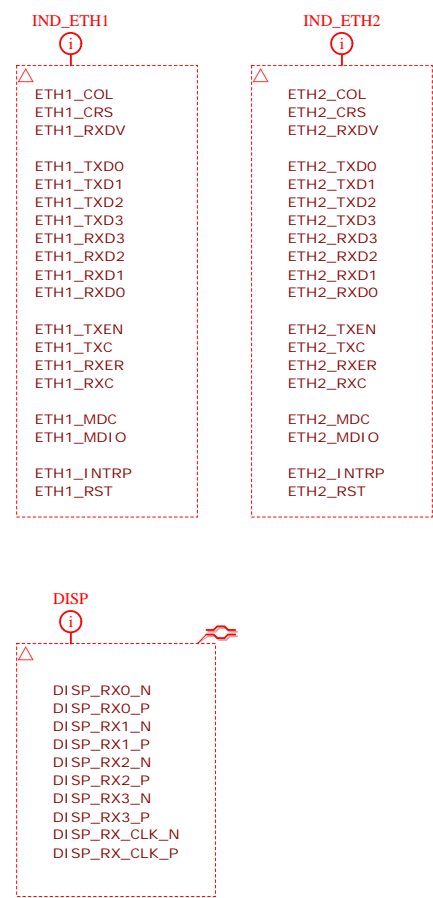
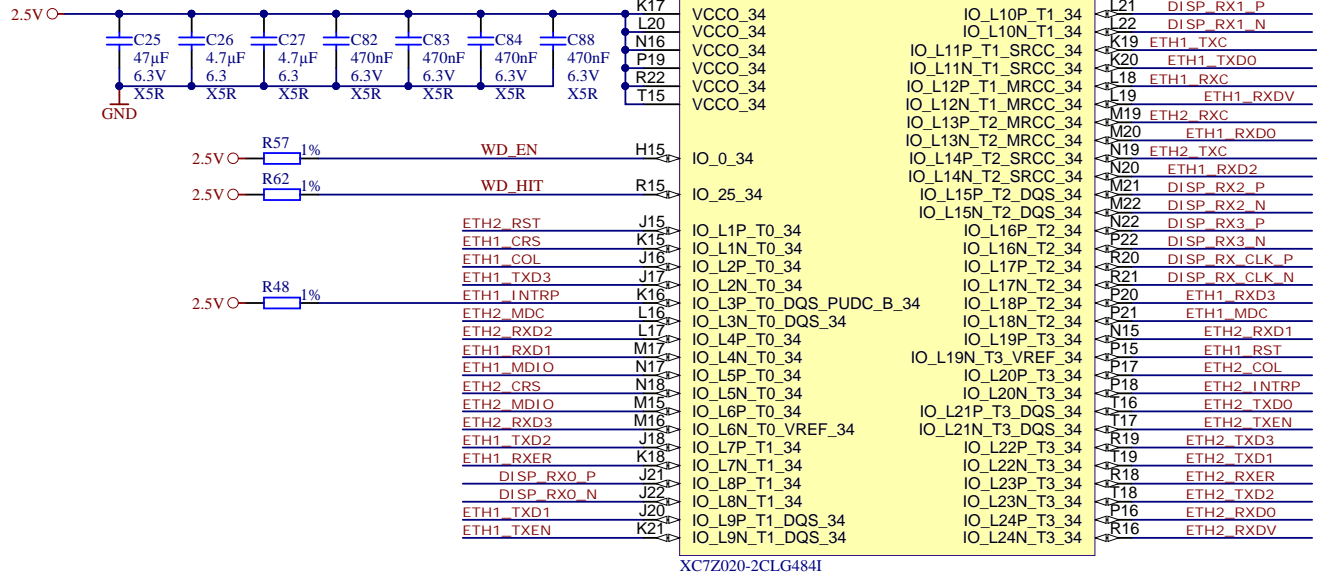

Title: TE0729 - ZYNQ_MIO_B500		
A4	Number: TE0729 2IF	Rev. 02
Date: 2016-05-02	Copyright: Trenz Electronic GmbH / TT	Page4 of 20
Filename: MIO_B500.SchDoc		



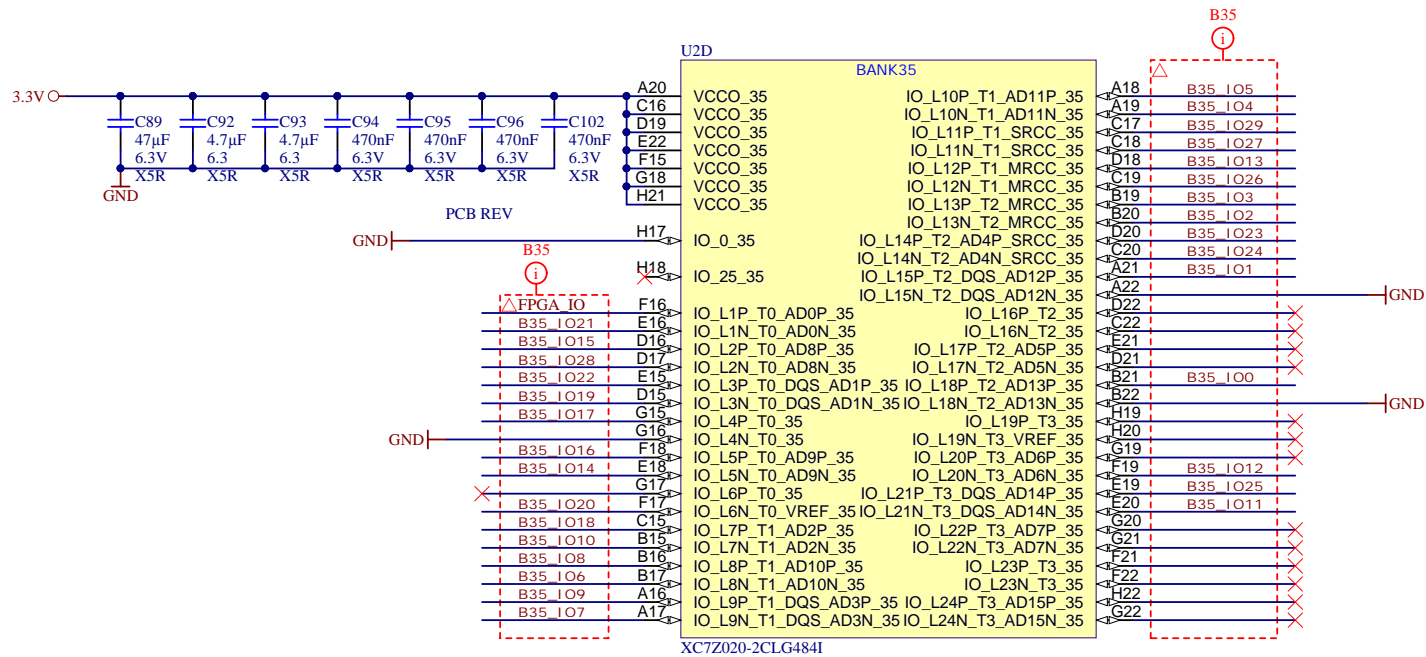
		Title: TE0729 - ZYNQ_B13	
		A4	Number: TE0729 2IF
Date: 2016-05-02		Copyright: Trenz Electronic GmbH / TT	
Filename: B13.SchDoc		Page5 of 20	



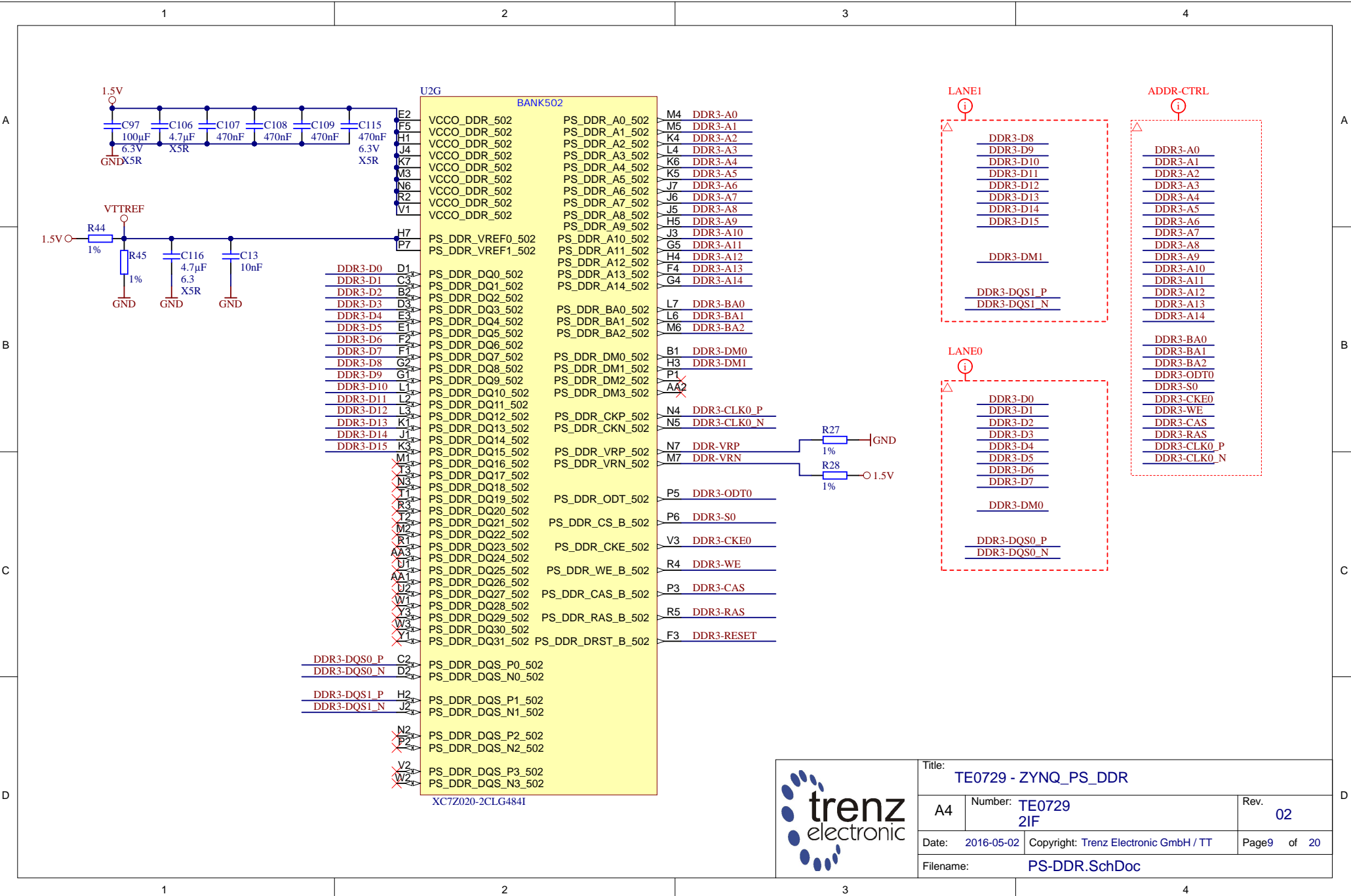
	Title: TE0729 - ZYNQ_B33		
	A4	Number: TE0729 2IF	Rev. 02
	Date: 2016-05-02	Copyright: Trenz Electronic GmbH / TT	Page6 of 20
	Filename: B33.SchDoc		

Title: TE0729 - ZYNQ_B34		
A4	Number: TE0729 2IF	Rev. 02
Date: 2016-05-02	Copyright: Trenz Electronic GmbH / TT	Page7 of 20
Filename: B34.SchDoc		

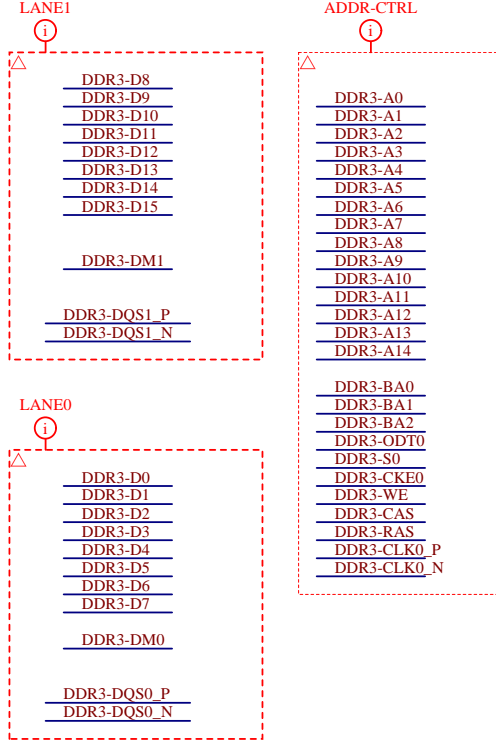


	Title: TE0729 - ZYNQ_B35		
	A4	Number: TE0729 2IF	Rev. 02
	Date: 2016-05-02	Copyright: Trenz Electronic GmbH / TT	Page8 of 20
	Filename: B35.SchDoc		



BANK502	
VCCO_DDR_502	PS_DDR_A0_502
VCCO_DDR_502	PS_DDR_A1_502
VCCO_DDR_502	PS_DDR_A2_502
VCCO_DDR_502	PS_DDR_A3_502
VCCO_DDR_502	PS_DDR_A4_502
VCCO_DDR_502	PS_DDR_A5_502
VCCO_DDR_502	PS_DDR_A6_502
VCCO_DDR_502	PS_DDR_A7_502
VCCO_DDR_502	PS_DDR_A8_502
VCCO_DDR_502	PS_DDR_A9_502
PS_DDR_VREF0_502	PS_DDR_A10_502
PS_DDR_VREF1_502	PS_DDR_A11_502
	PS_DDR_A12_502
	PS_DDR_A13_502
	PS_DDR_A14_502
DDR3-D0	PS_DDR_DQ0_502
DDR3-D1	PS_DDR_DQ1_502
DDR3-D2	PS_DDR_DQ2_502
DDR3-D3	PS_DDR_DQ3_502
DDR3-D4	PS_DDR_DQ4_502
DDR3-D5	PS_DDR_DQ5_502
DDR3-D6	PS_DDR_DQ6_502
DDR3-D7	PS_DDR_DQ7_502
DDR3-D8	PS_DDR_DQ8_502
DDR3-D9	PS_DDR_DQ9_502
DDR3-D10	PS_DDR_DQ10_502
DDR3-D11	PS_DDR_DQ11_502
DDR3-D12	PS_DDR_DQ12_502
DDR3-D13	PS_DDR_DQ13_502
DDR3-D14	PS_DDR_DQ14_502
DDR3-D15	PS_DDR_DQ15_502
	PS_DDR_DQ16_502
	PS_DDR_DQ17_502
	PS_DDR_DQ18_502
	PS_DDR_DQ19_502
	PS_DDR_DQ20_502
	PS_DDR_DQ21_502
	PS_DDR_DQ22_502
	PS_DDR_DQ23_502
	PS_DDR_DQ24_502
	PS_DDR_DQ25_502
	PS_DDR_DQ26_502
	PS_DDR_DQ27_502
	PS_DDR_DQ28_502
	PS_DDR_DQ29_502
	PS_DDR_DQ30_502
	PS_DDR_DQ31_502
DDR3-DQS0_P	PS_DDR_DQS_P0_502
DDR3-DQS0_N	PS_DDR_DQS_N0_502
DDR3-DQS1_P	PS_DDR_DQS_P1_502
DDR3-DQS1_N	PS_DDR_DQS_N1_502
	PS_DDR_DQS_P2_502
	PS_DDR_DQS_N2_502
	PS_DDR_DQS_P3_502
	PS_DDR_DQS_N3_502

XC7Z020-2CLG484I



Title: TE0729 - ZYNQ_PS_DDR		
A4	Number: TE0729 2IF	Rev. 02
Date: 2016-05-02	Copyright: Trenz Electronic GmbH / TT	Page9 of 20
Filename: PS-DDR.SchDoc		

1

2

3

4

A

A

B

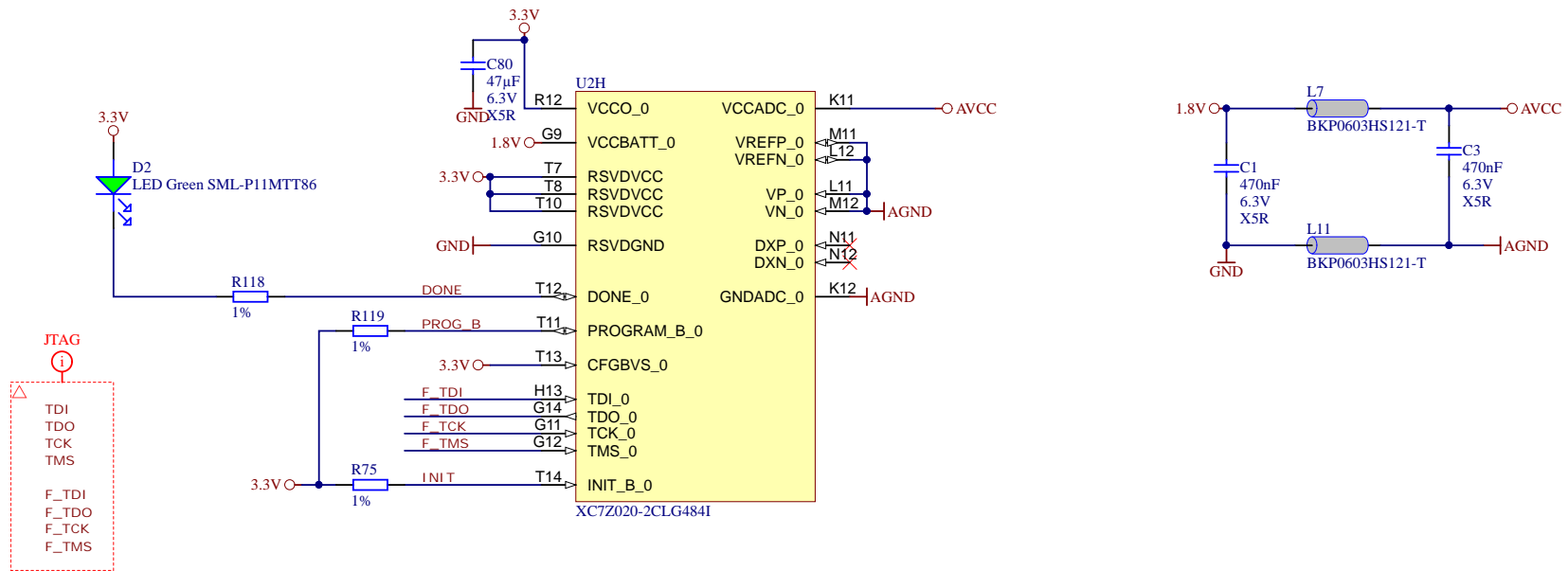
B


C

C

D

D



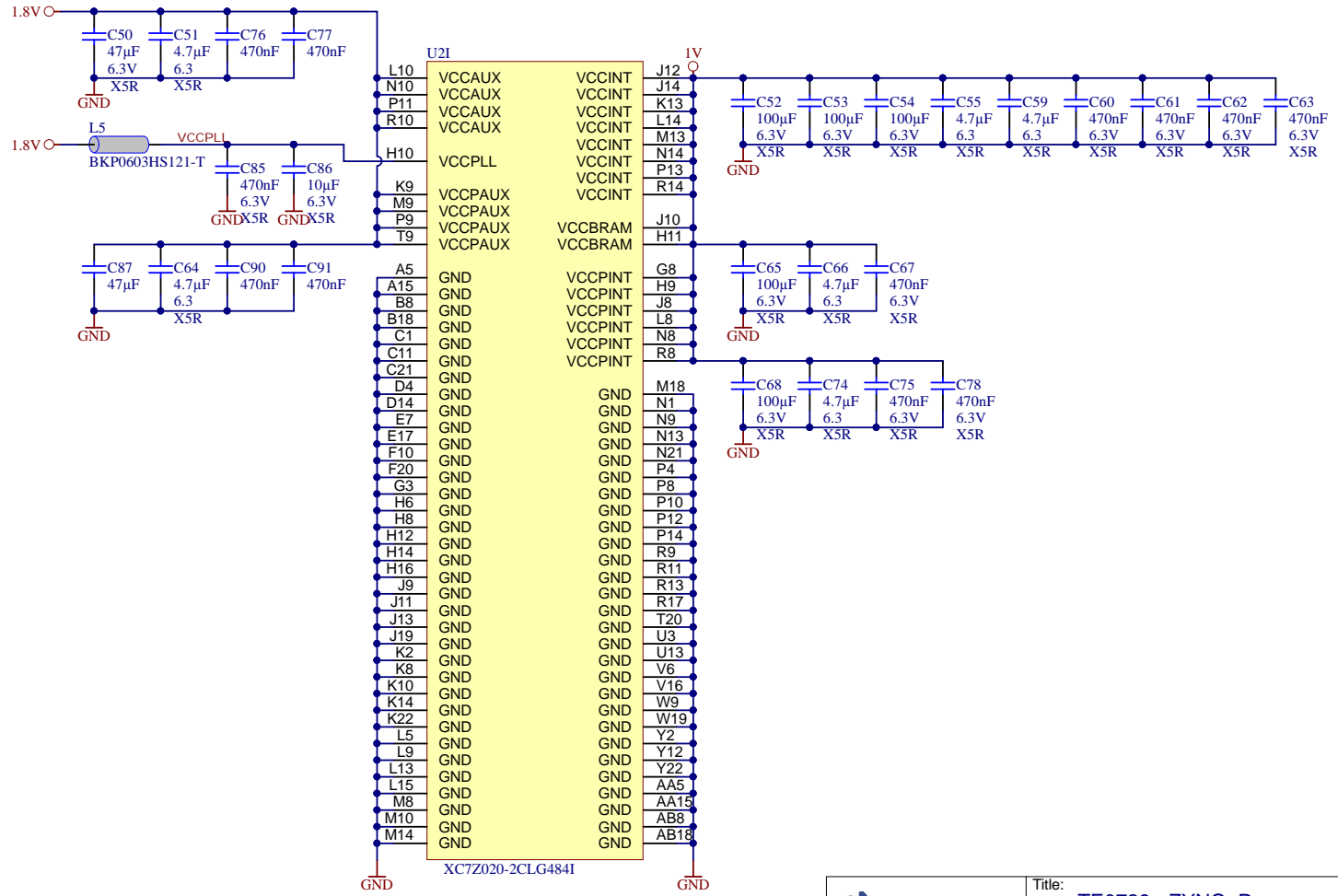
		Title: TE0729 - ZYNQ_MISC	
		A4	Number: TE0729 2IF
Date: 2016-05-02		Copyright: Trenz Electronic GmbH / TT	
Filename: ZYNQ_MISC.SchDoc		Page10 of 20	


1

2

3

4



	Title: TE0729 - ZYNQ_Power		
	A4	Number: TE0729 2IF	Rev. 02
	Date: 2016-05-02	Copyright: Trenz Electronic GmbH / TT	Page 11 of 20
	Filename: ZYNC_POWER.SchDoc		

A

A

B

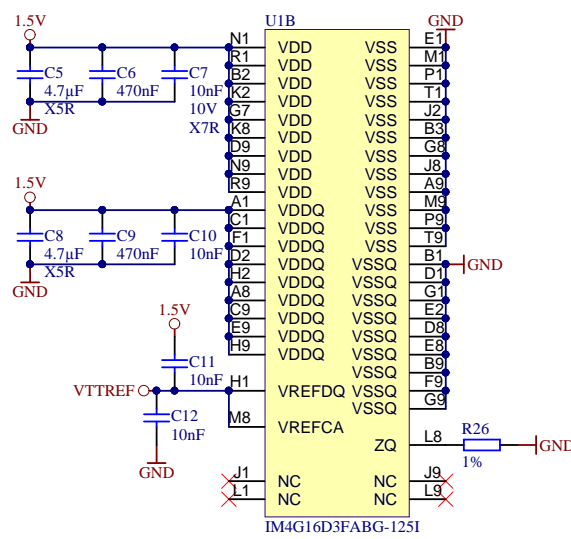
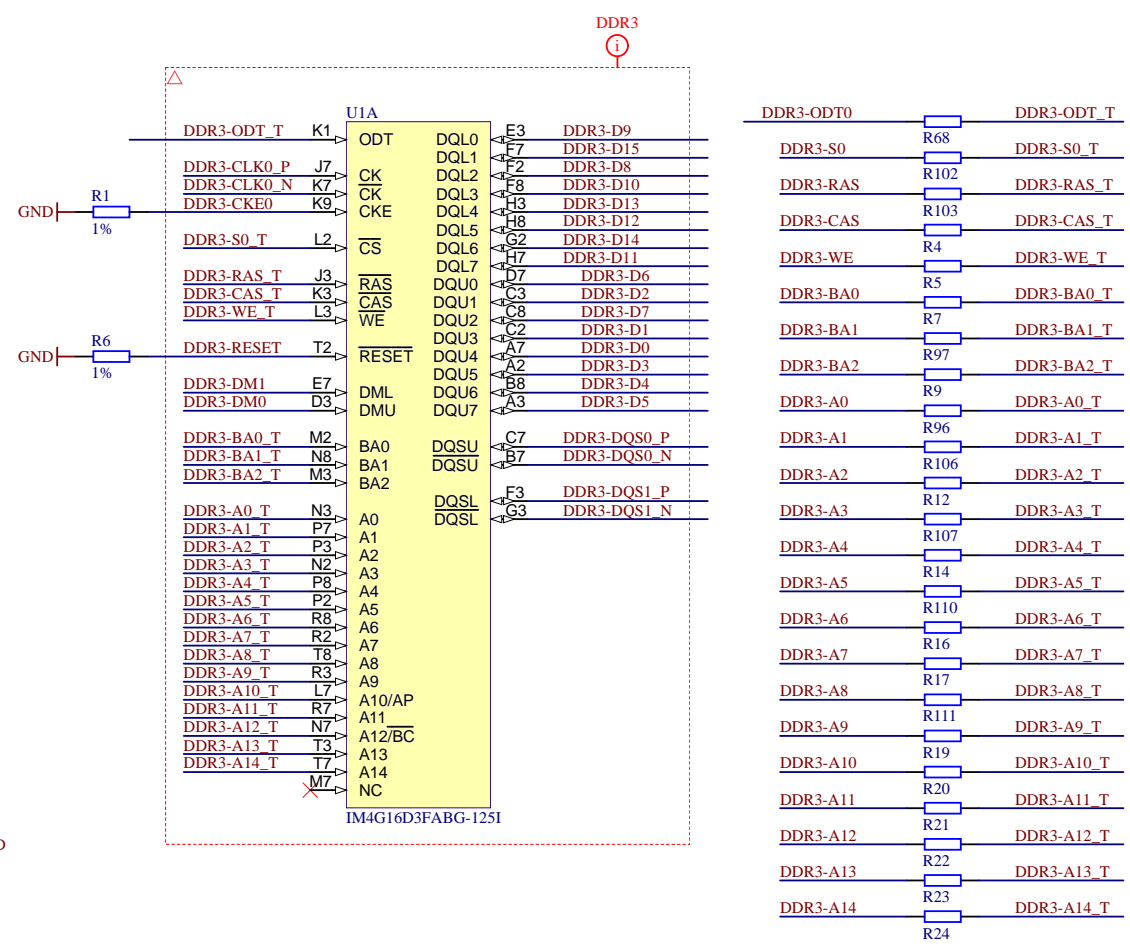
B

C

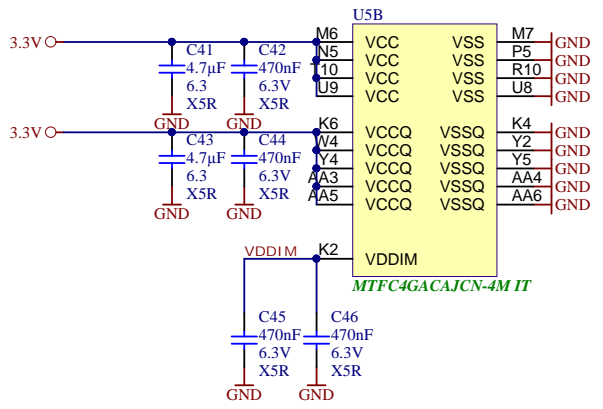
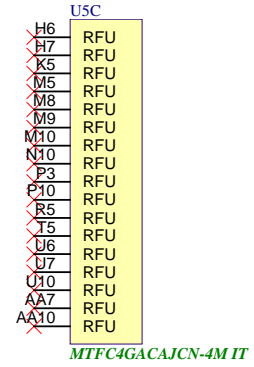
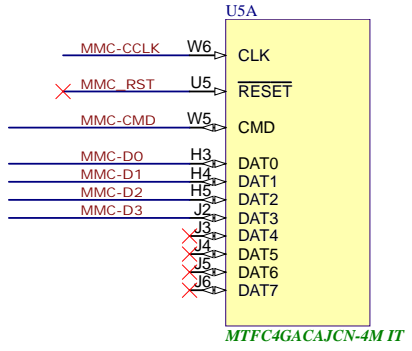
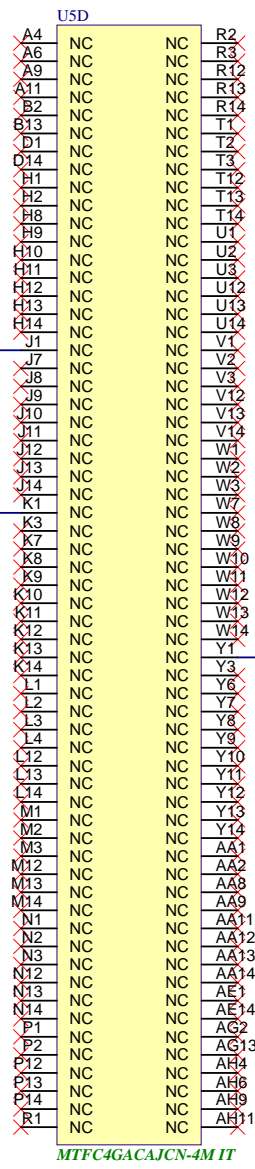
C

D

D



Title: TE0729 - DDR3		
A4	Number: TE0729 2IF	Rev. 02
Date: 2016-05-02	Copyright: Trenz Electronic GmbH / TT	Page 12 of 20
Filename: DDR-RAM.SchDoc		



	Title: TE0729 - eMMC		
	A4	Number: TE0729 2IF	Rev. 02
	Date: 2016-05-02	Copyright: Trenz Electronic GmbH / TT	Page13 of 20
	Filename: eMMC.SchDoc		

A

B

C

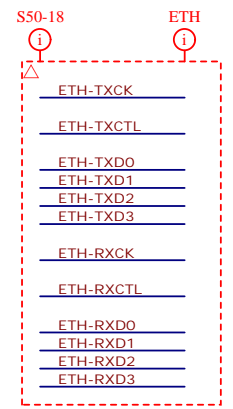
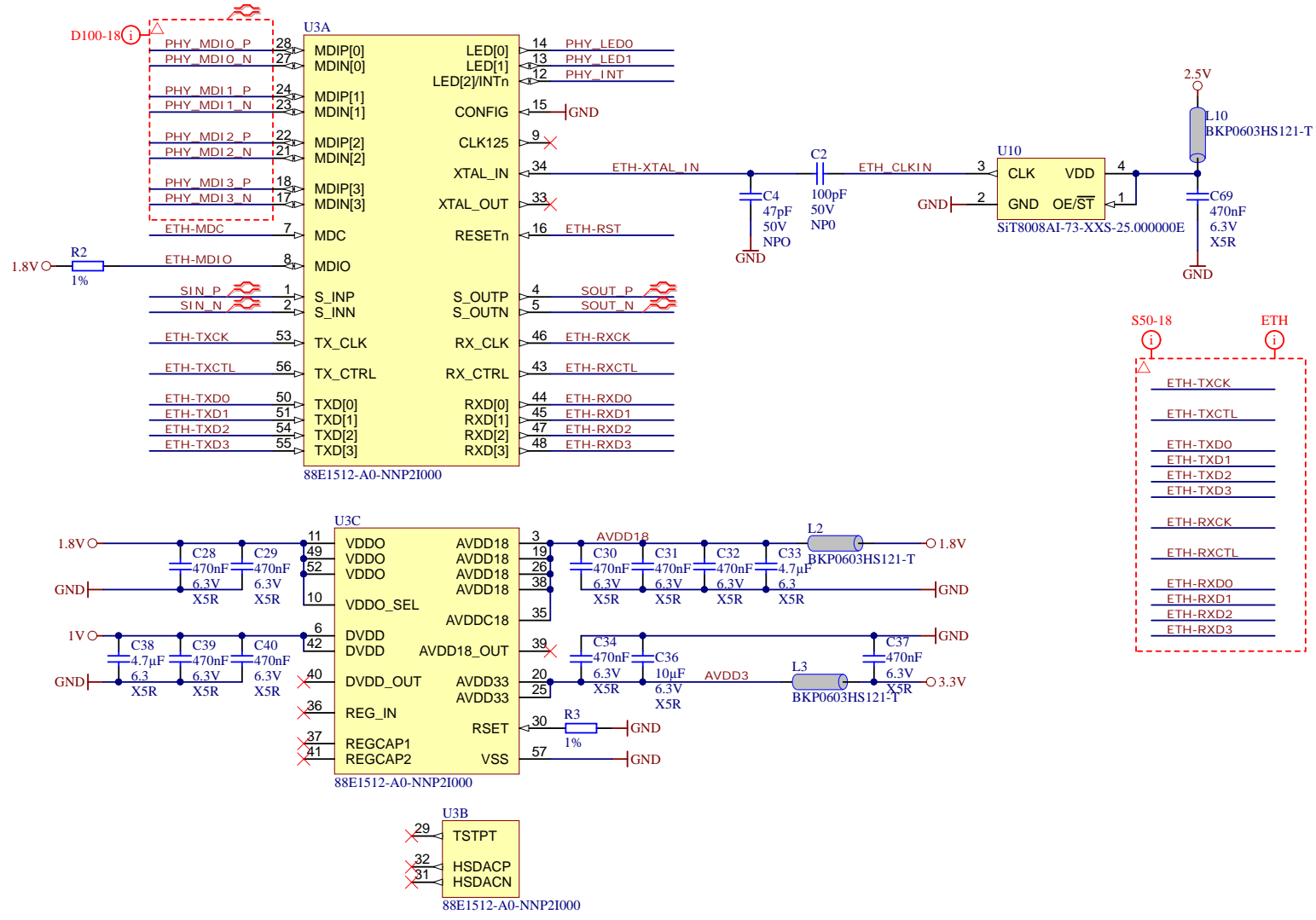
D

A

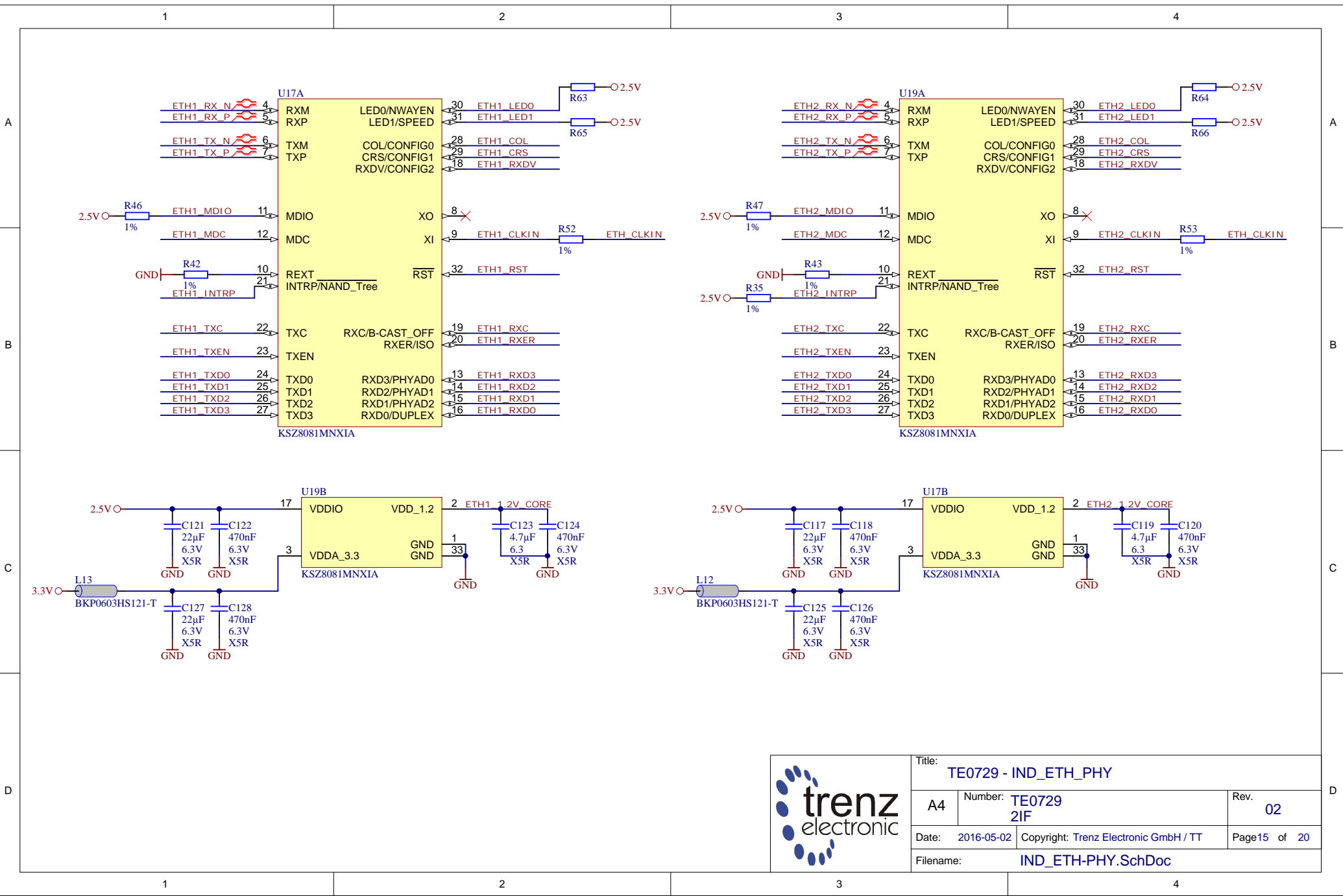
B


C

D



	Title: TE0729 - ETH_PHY	
	A4	Number: TE0729 2IF
	Date: 2016-05-02	Copyright: Trenz Electronic GmbH / TT
	Rev. 02	Page 14 of 20
Filename: ETH-PHY.SchDoc		



			Title: TE0729 - IND_ETH_PHY	
			A4	Number: TE0729 2IF
Date: 2016-05-02		Copyright: Trenz Electronic GmbH / TT		Page15 of 20
Filename: IND_ETH-PHY.SchDoc				

1

2

3

4

A

A

B

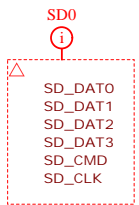
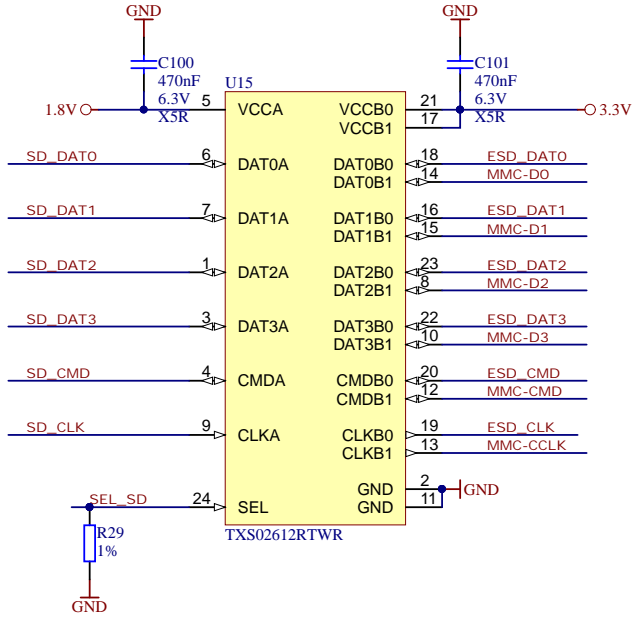
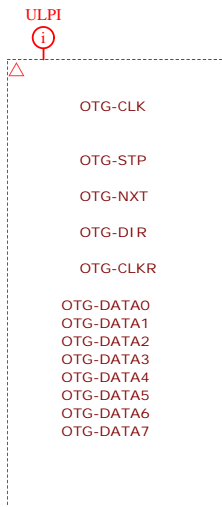
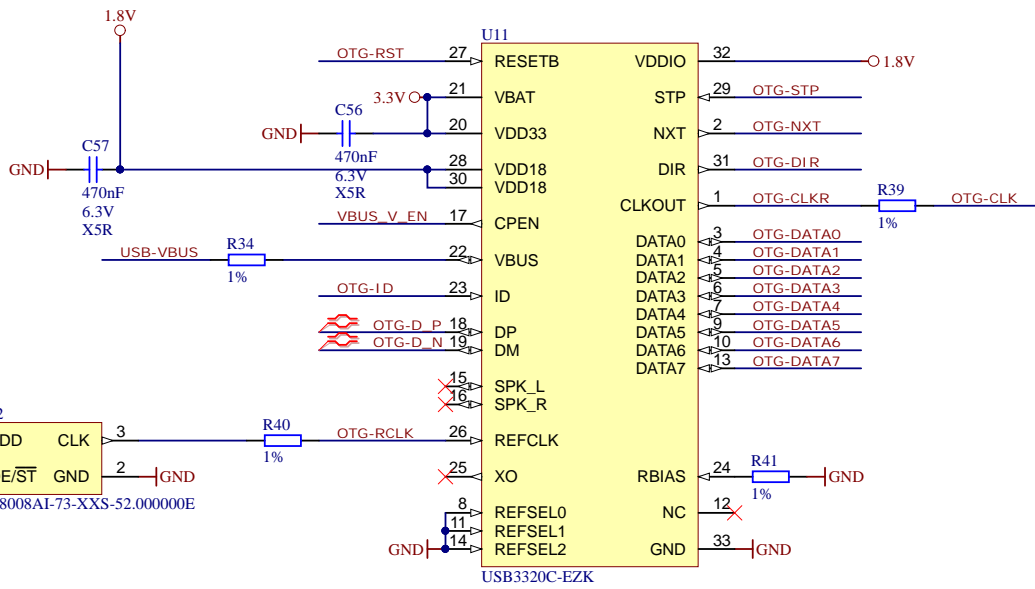
B

C

C

D

D



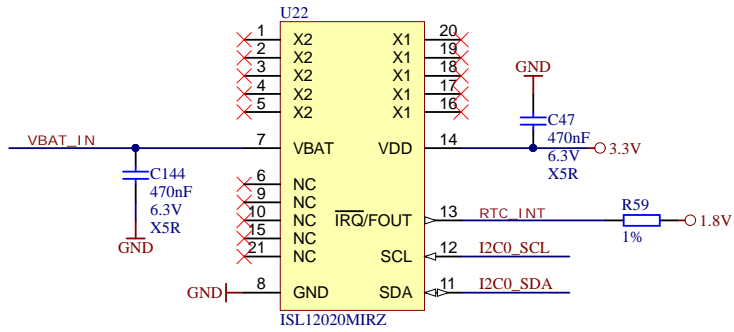
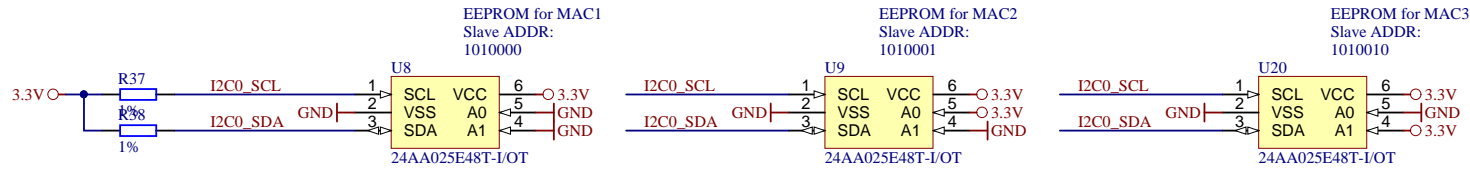
Title: TE0729 - USB_PHY		
A4	Number: TE0729 2IF	Rev. 02
Date: 2014-03-05	Copyright: Trenz Electronic GmbH / TT	Page 16 of 20
Filename: USB-PHY.SchDoc		


1

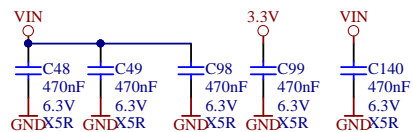
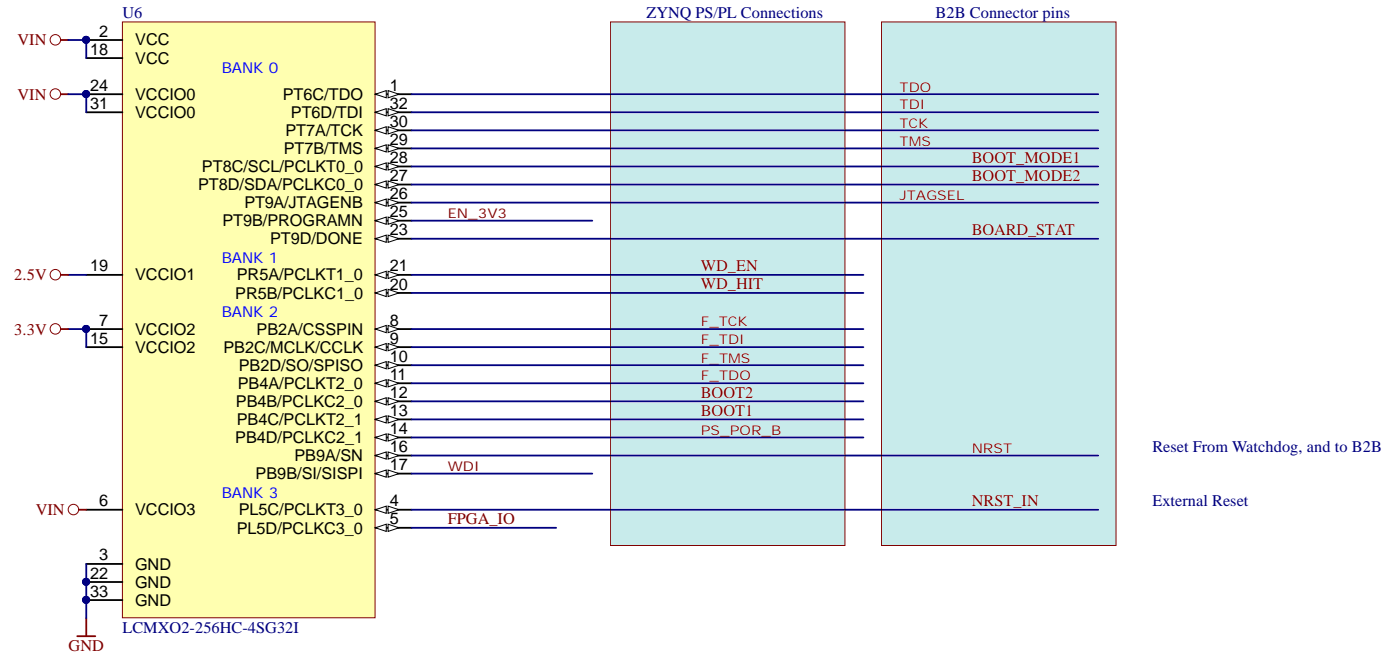
2


3

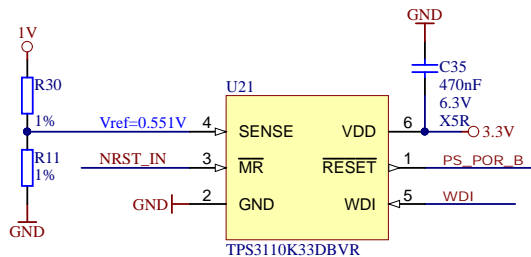
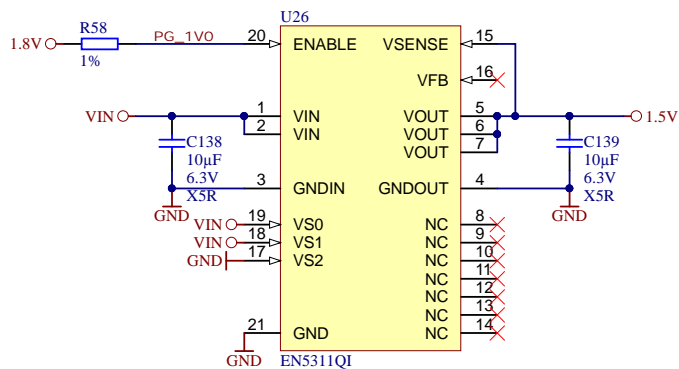
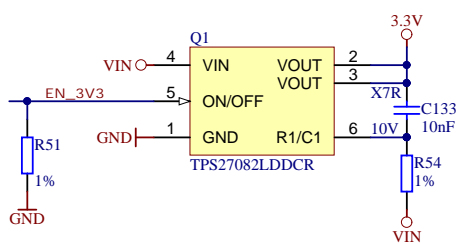
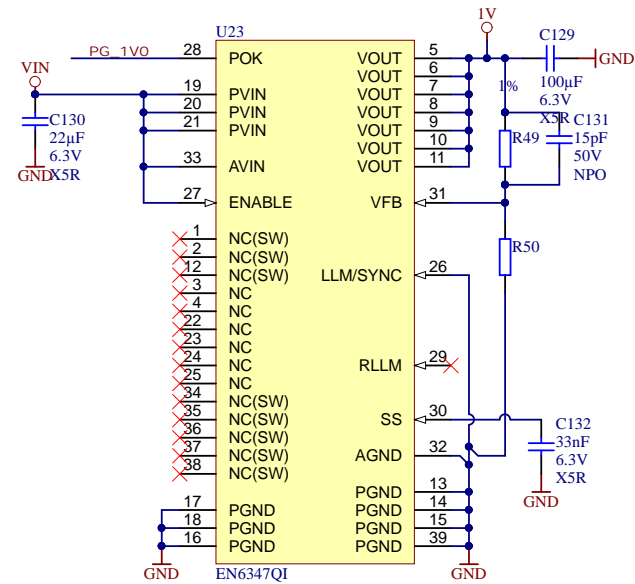
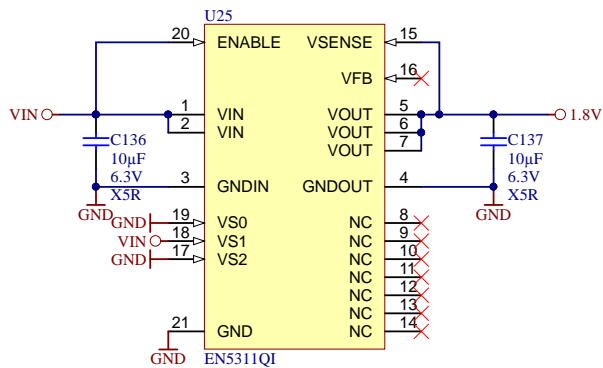
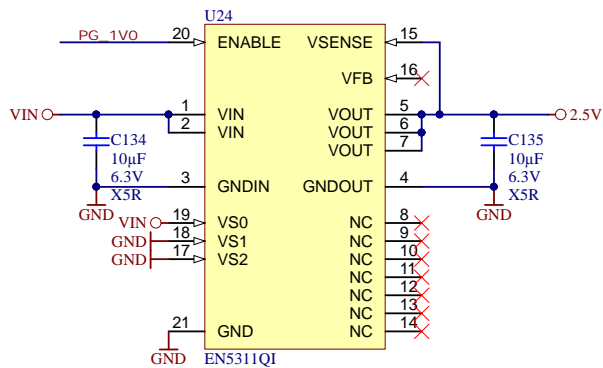
4



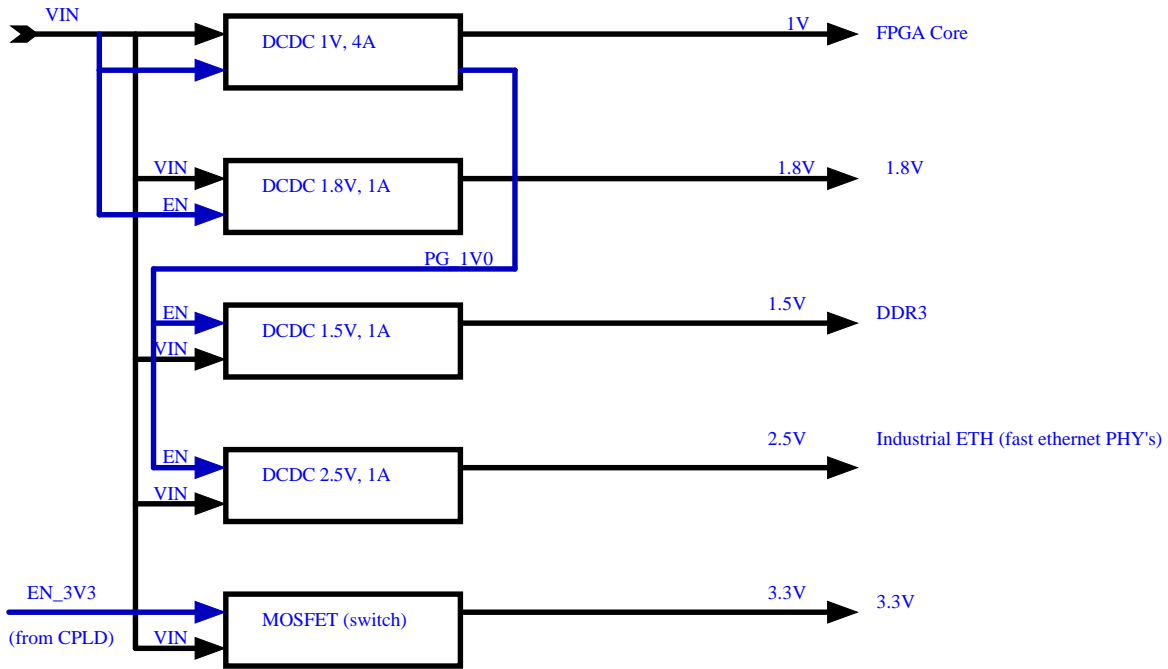
		Title: TE0729 - RTC	
		A4	Number: TE0729 2IF
Date: 2014-03-05		Copyright: Trenz Electronic GmbH / TT	
Filename: SENSOR-RTC.SchDoc		Page 17 of 20	




		Title: TE0729 - CPLD	
		A4	Number: TE0729 2IF
Date: 2016-05-02		Copyright: Trenz Electronic GmbH / TT	
Filename: CPLD.SchDoc		Page18 of 20	



Title: TE0729 - Power		
A4	Number: TE0729 2IF	Rev. 02
Date: 2016-05-02	Copyright: Trenz Electronic GmbH / TT	Page19 of 20
Filename: Power.SchDoc		



		Title: TE0729 - Power overview	
		A4	Number: TE0729 2IF
Date: 2016-05-02		Copyright: Trenz Electronic GmbH	
Filename: PowerOverview.SchDoc		Page 20 of 20	