

1

2

3

4

A

A

B

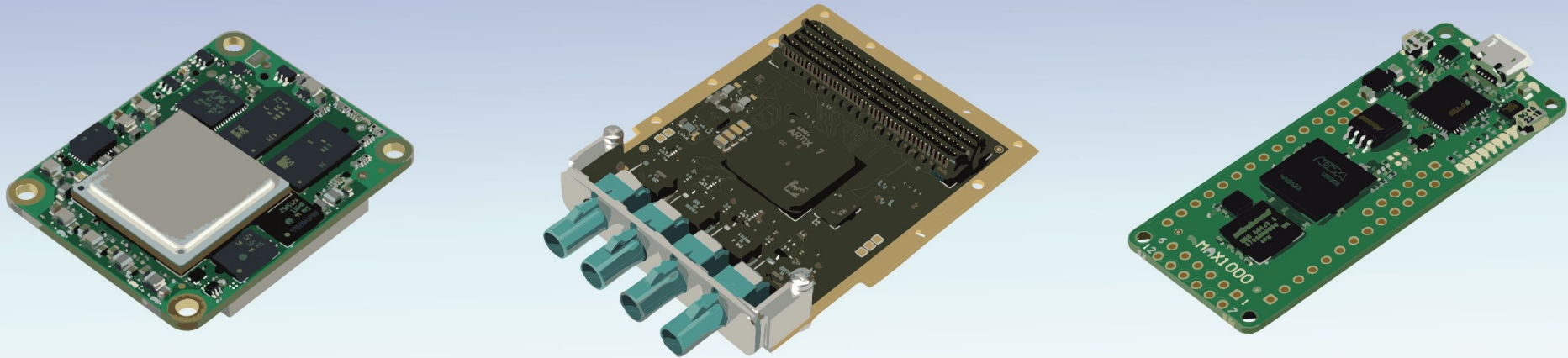
B

C

C

D

D



Regarding the usage of our schematics and alike documentation for Trenz module TE0729.

Project is protected under copyright and we strongly and strictly prohibit the reverse engineering or recreation, even if the design is just adapted or modified. TE0729 is protected under such right and in case of plagiarism we will have to do anything necessary in order to protect our assets.

Schematics and other handouts serve for informational purposes only!

	Title: TE0729 - Legal Notice		
	A4	Number: TE0729 2IFY	Rev. 02
	Date: 2020-08-14	Copyright: Trenz Electronic GmbH / TT	Page 1 of 21
	Filename: Legal Notices Modules.SchDoc		

1

2

3

4

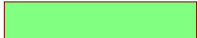
1

2

3

4

U_DDR-RAM
DDR-RAM.SchDoc



U_B13
B13.SchDoc



U_B34
B34.SchDoc



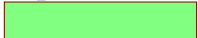
U_B35
B35.SchDoc



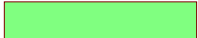
U_MIO_B500
MIO_B500.SchDoc



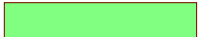
U_MIO_B501
MIO_B501.SchDoc



U_Interface
Interface.SchDoc



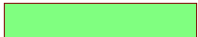
U_Power
Power.SchDoc



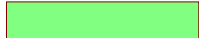
U_PS-DRR
PS-DRR.SchDoc



U_PowerOverview
PowerOverview.SchDoc



U_ETH-PHY
ETH-PHY.SchDoc



U_ZYNC_POWER
ZYNC_POWER.SchDoc



U_ZYNQ_MISC
ZYNQ_MISC.SchDoc



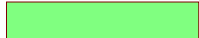
U_B33
B33.SchDoc



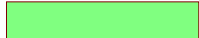
U_IND_ETH-PHY
IND_ETH-PHY.SchDoc



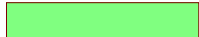
U_USB-PHY
USB-PHY.SchDoc



U_eMMC
eMMC.SchDoc



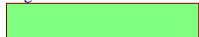
U_SENSOR-RTC
SENSOR-RTC.SchDoc



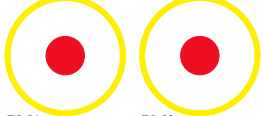
U_CPLD
CPLD.SchDoc



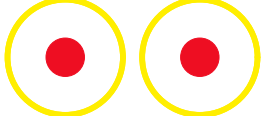
U_LN
Legal Notices Modules.SchDoc



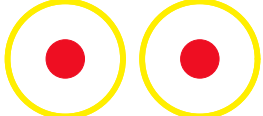
FIDU-DOT - small FIDU-DOT - small



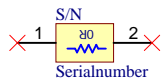
PM1 PM2
FIDU-DOT - small FIDU-DOT - small



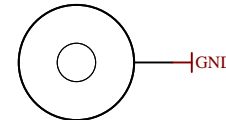
PM3 PM4
FIDU-DOT - small FIDU-DOT - small



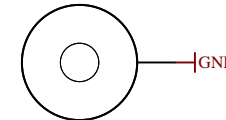
PM5 PM6



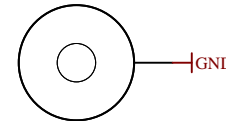
Serial
Serial
Serialnumber 6,3 x 6,3mm



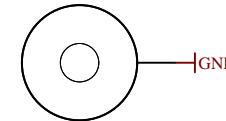
Mount.Hole 3.2mm für Unterlegscheibe



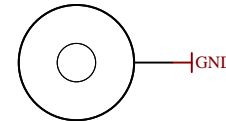
Mount.Hole 3.2mm für Unterlegscheibe



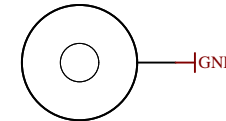
Mount.Hole 3.2mm für Unterlegscheibe



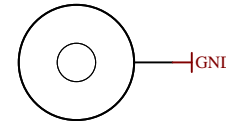
Mount.Hole 3.2mm für Unterlegscheibe



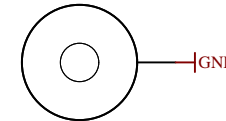
Mount.Hole 3.2mm für Unterlegscheibe



Mount.Hole 3.2mm für Unterlegscheibe



Mount.Hole 3.2mm für Unterlegscheibe



Mount.Hole 3.2mm für Unterlegscheibe



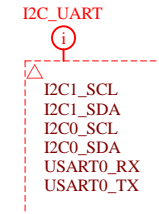
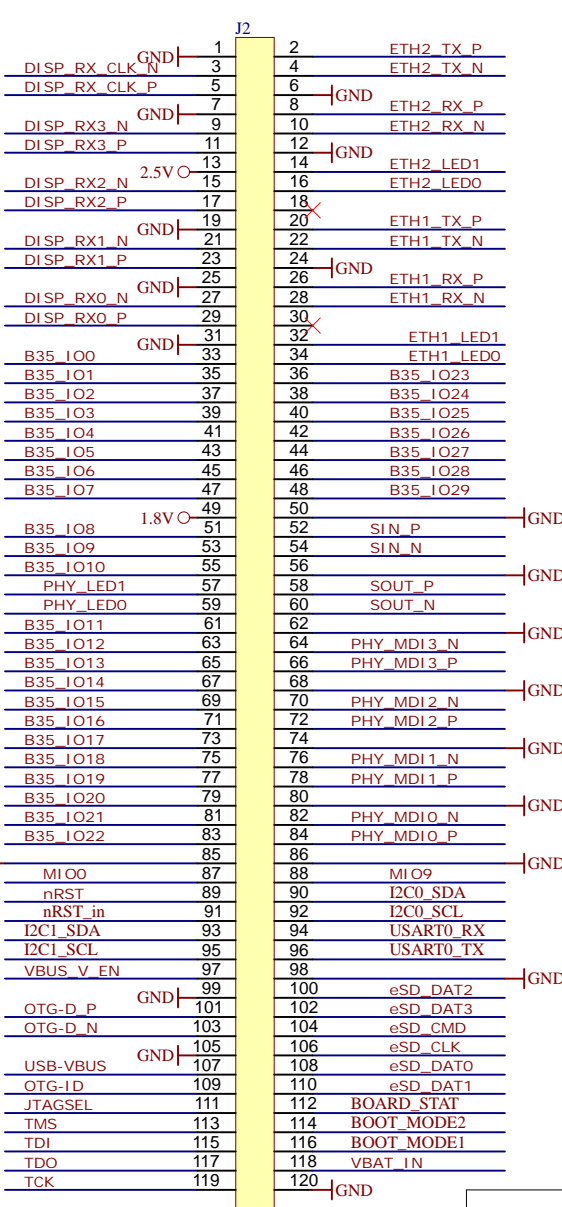
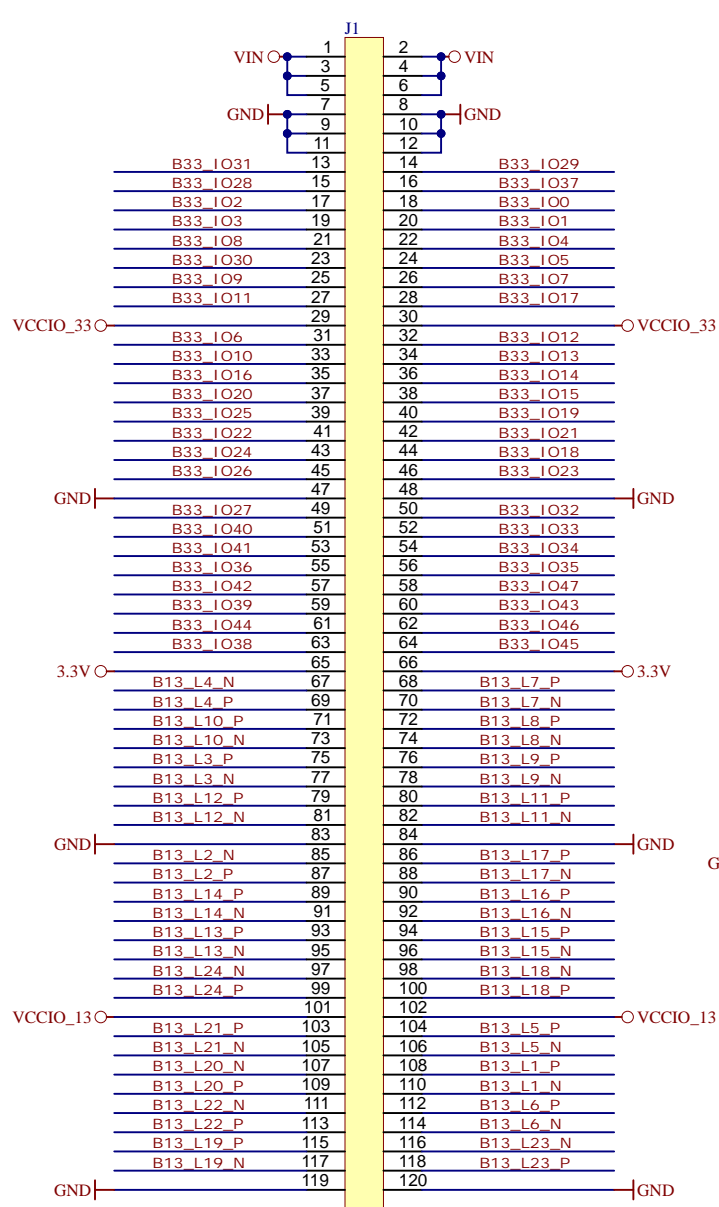
Title: TE0729		
A4	Number: TE0729 2IFY	Rev. 02
Date: 2016-05-02	Copyright: Trenz Electronic GmbH / TT	Page 2 of 21
Filename: TE0729.SchDoc		

1

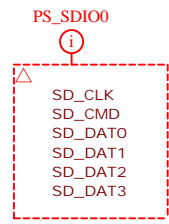
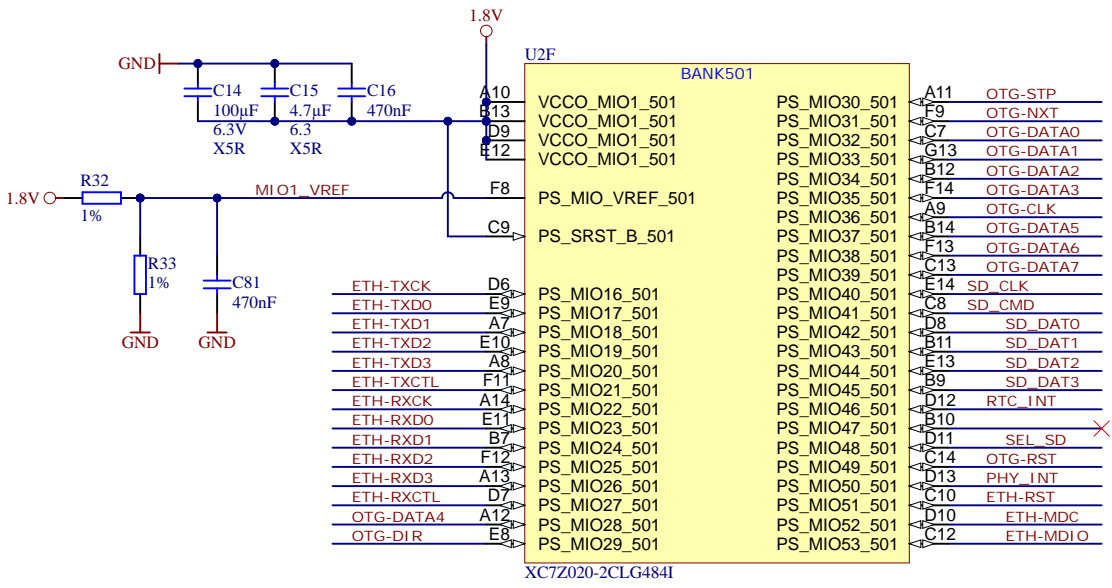
2

3

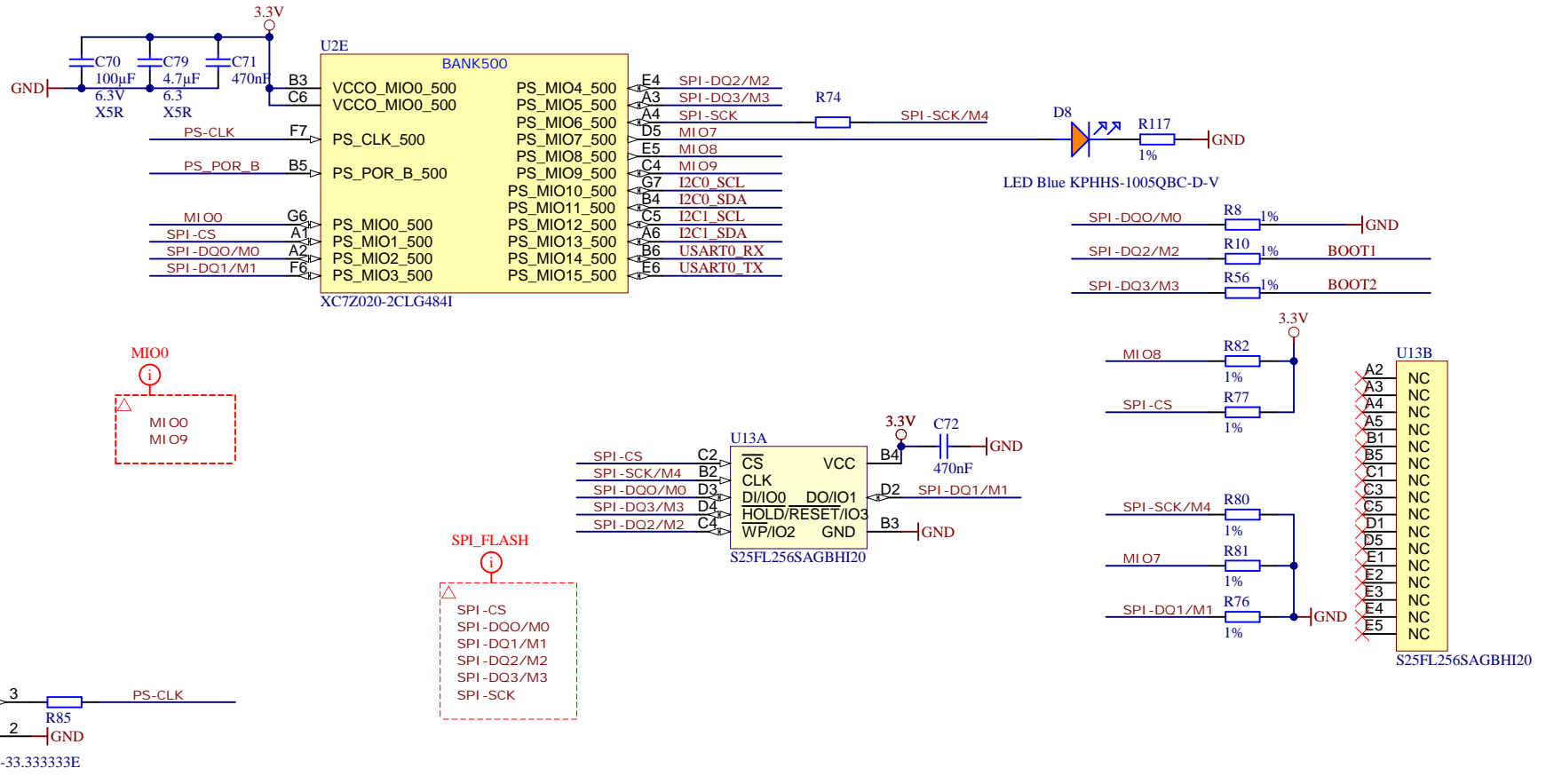
4



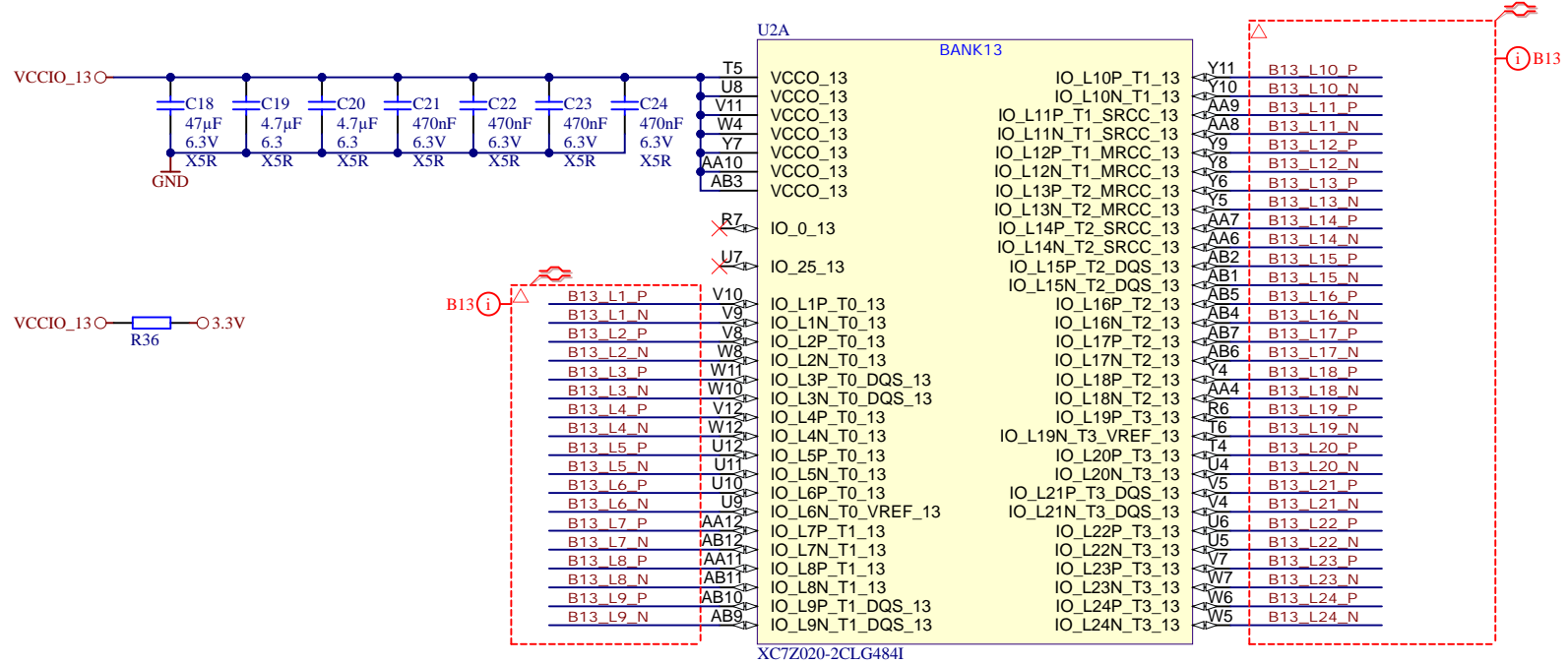
Title: TE0729 - Interface		
A4	Number: TE0729 2IFY	Rev. 02
Date: 2016-05-02	Copyright: Trenz Electronic GmbH / TT	Page 3 of 21
Filename: Interface.SchDoc		



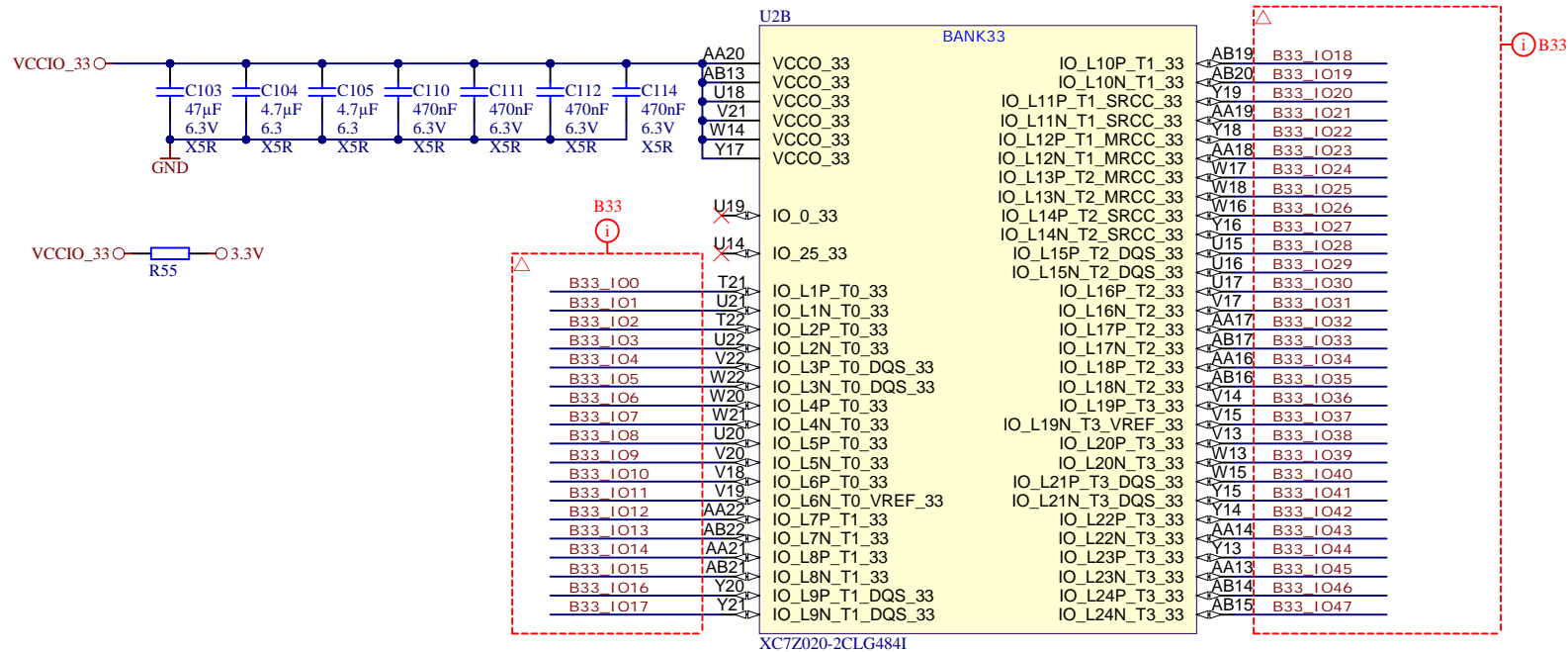
Title: TE0729 - ZYNQ_MIO_B501		
A4	Number: TE0729 2IFY	Rev. 02
Date: 2016-05-02	Copyright: Trenz Electronic GmbH / TT	Page4 of 21
Filename: MIO_B501.SchDoc		



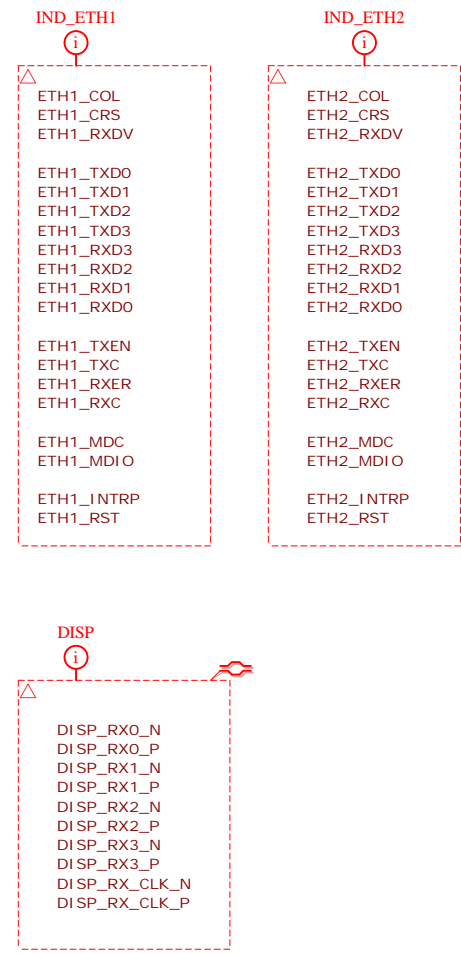
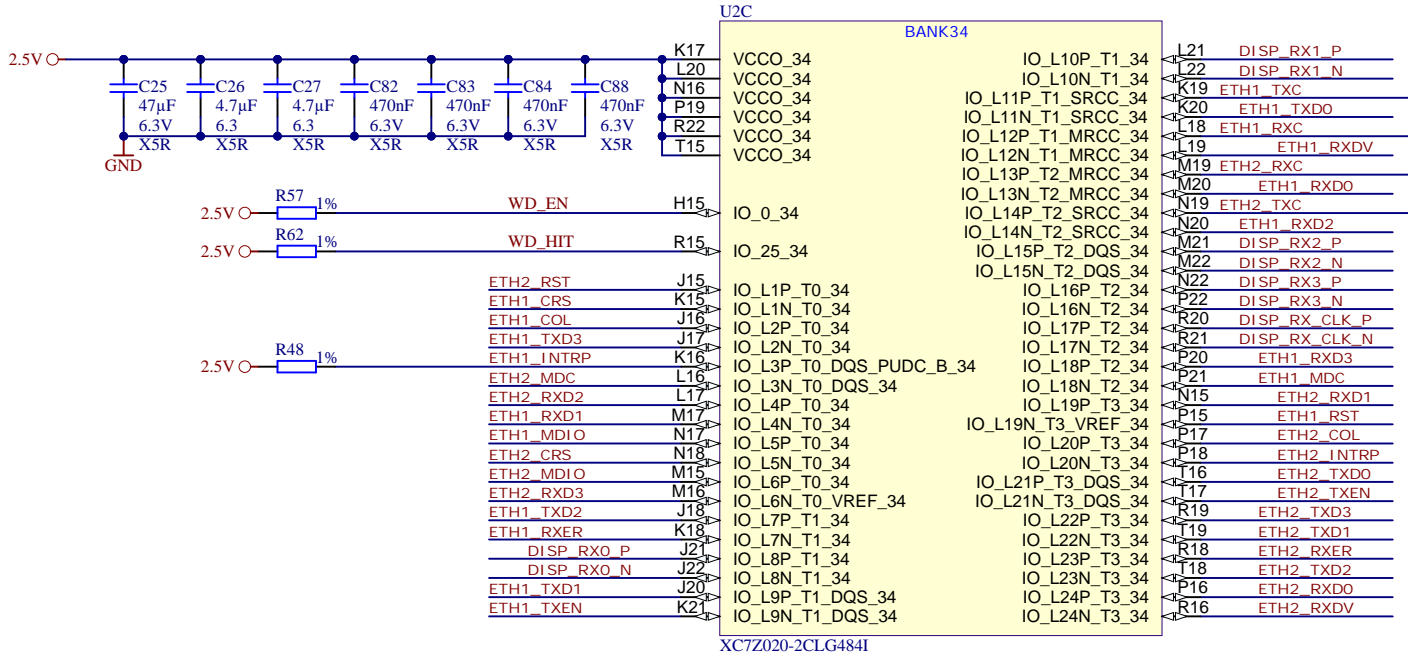

Title: TE0729 - ZYNQ_MIO_B500		
A4	Number: TE0729 2IFY	Rev. 02
Date: 2016-05-02	Copyright: Trenz Electronic GmbH / TT	Page5 of 21
Filename: MIO_B500.SchDoc		



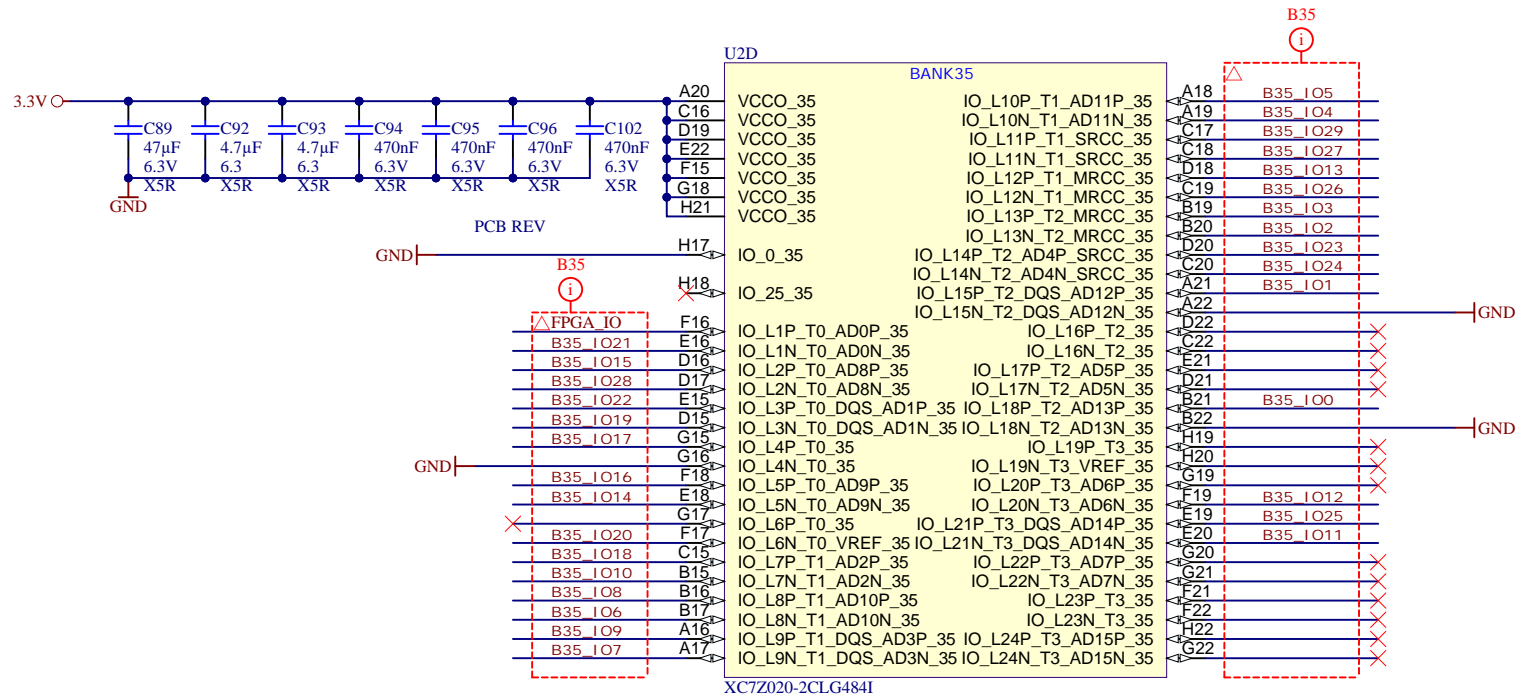
	Title: TE0729 - ZYNQ_B13	
	A4	Number: TE0729 2IFY
	Date: 2016-05-02	Copyright: Trenz Electronic GmbH / TT
	Filename: B13.SchDoc	
	Rev. 02	Page 6 of 21




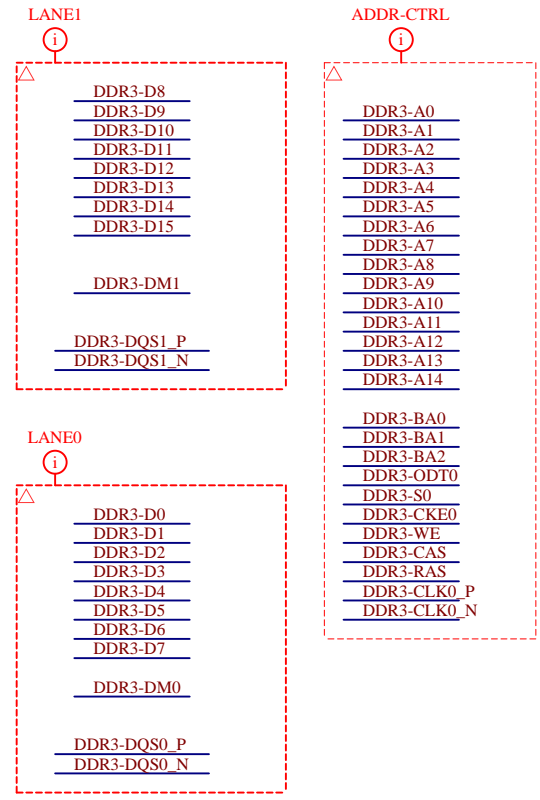
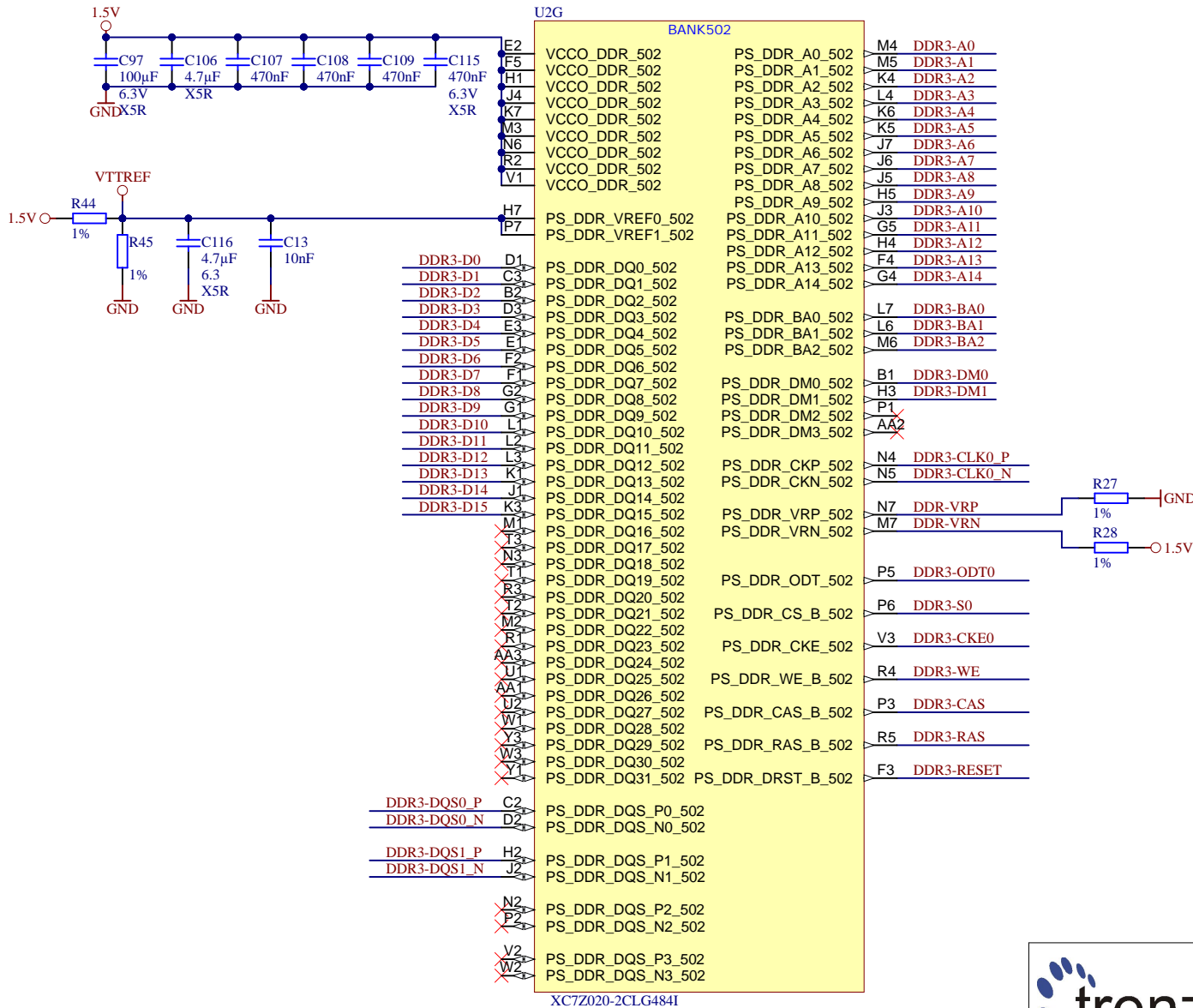
Title: TE0729 - ZYNQ_B33		
A4	Number: TE0729 2IFY	Rev. 02
Date: 2016-05-02	Copyright: Trenz Electronic GmbH / TT	Page 7 of 21
Filename: B33.SchDoc		





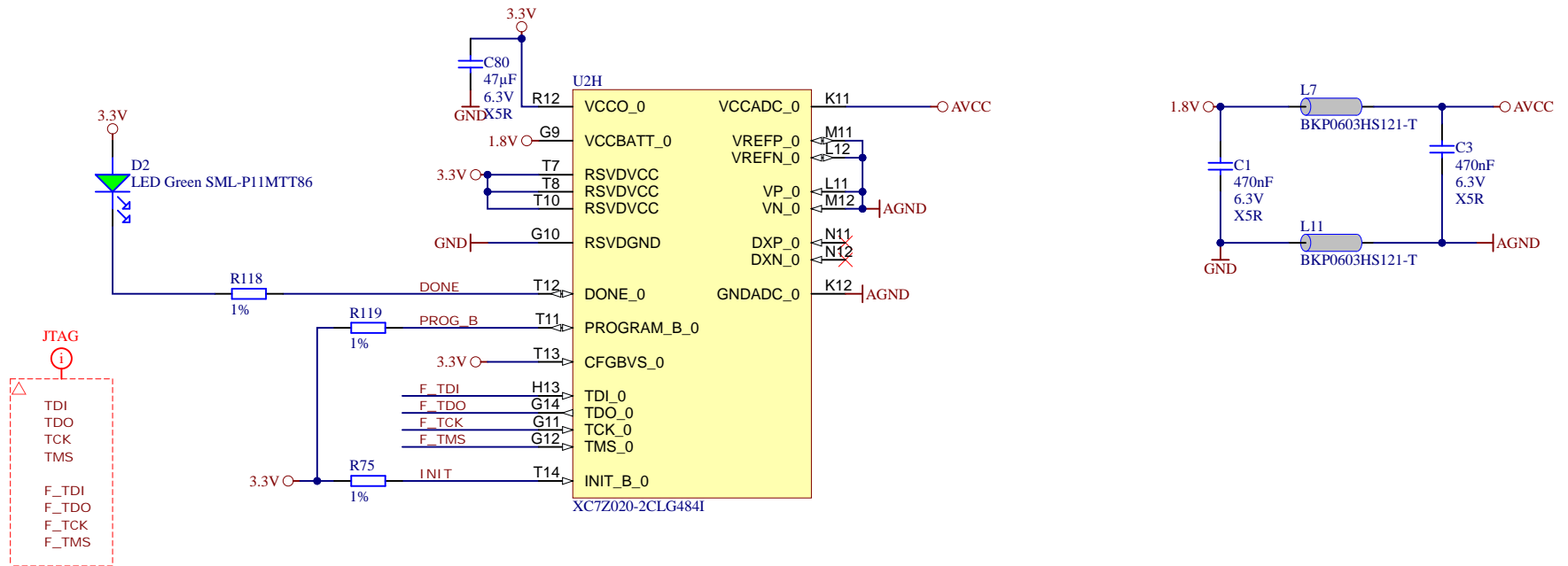
Title: TE0729 - ZYNQ_B34		
A4	Number: TE0729 2IFY	Rev. 02
Date: 2016-05-02	Copyright: Trenz Electronic GmbH / TT	
Page 8 of 21		Filename: B34.SchDoc




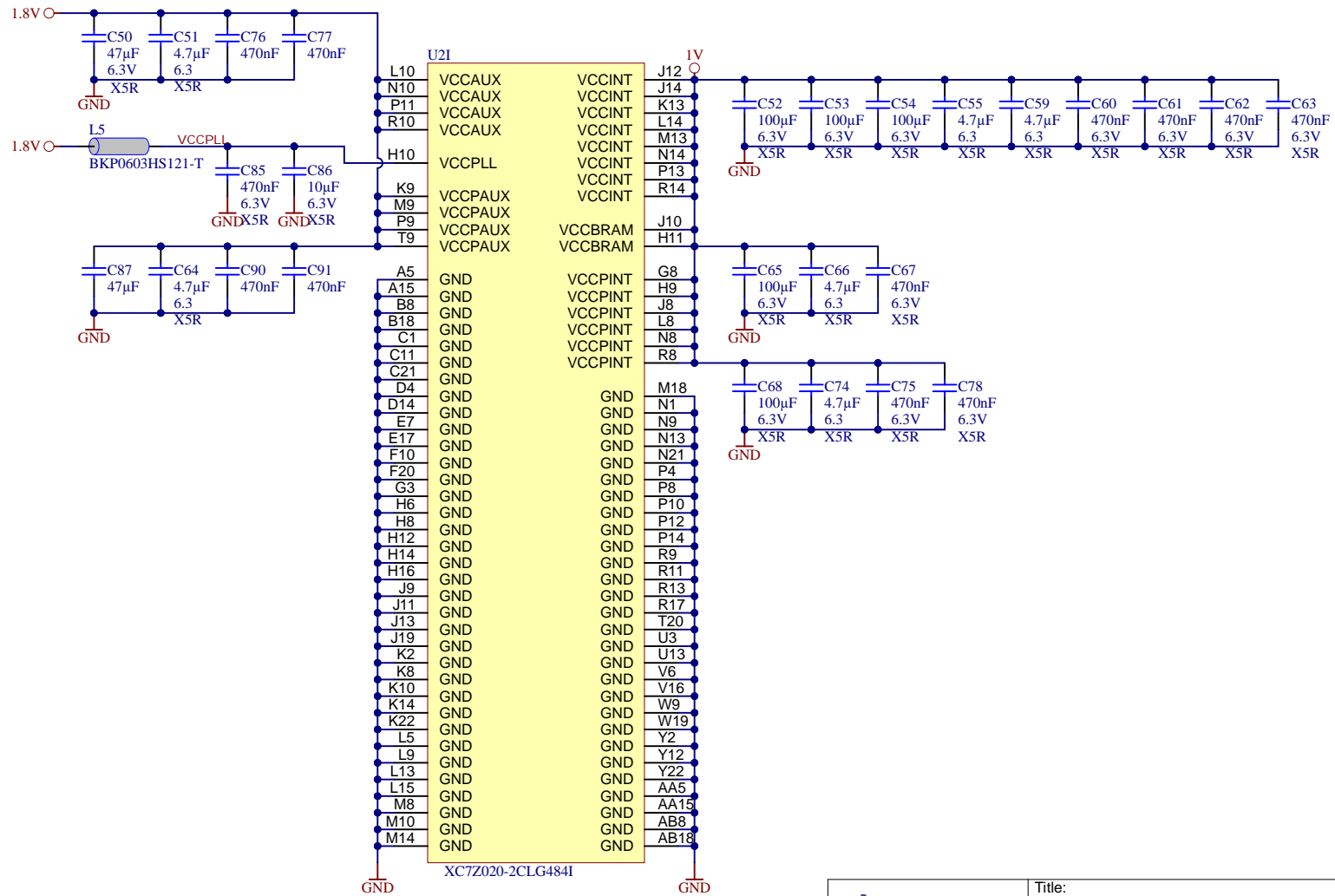
		Title: TE0729 - ZYNQ_B35	
		A4	Number: TE0729 2IFY
Date: 2016-05-02		Copyright: Trenz Electronic GmbH / TT	
Filename: B35.SchDoc		Page9 of 21	




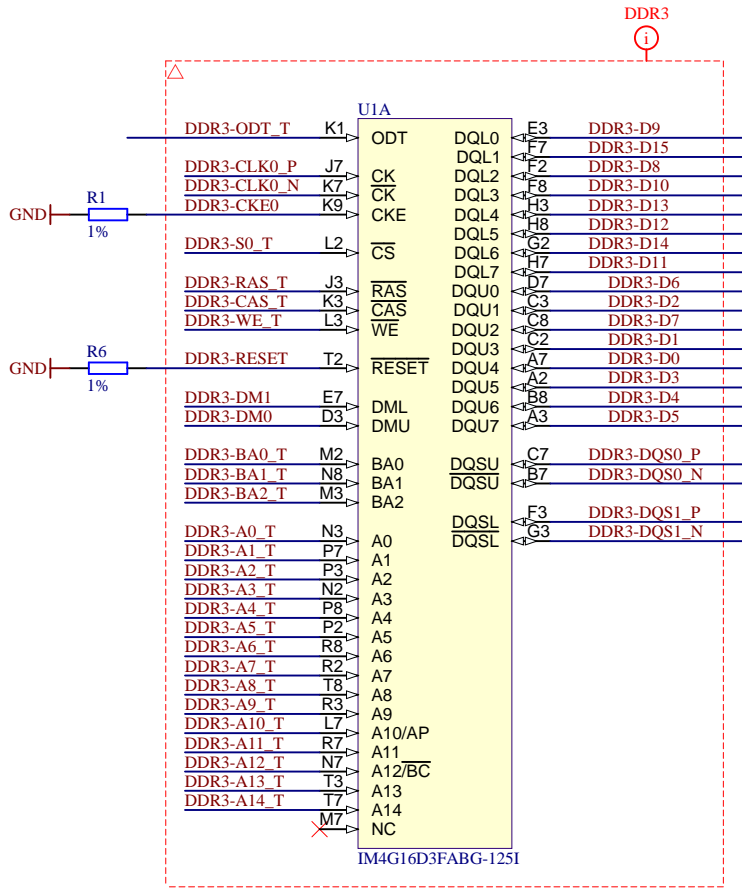
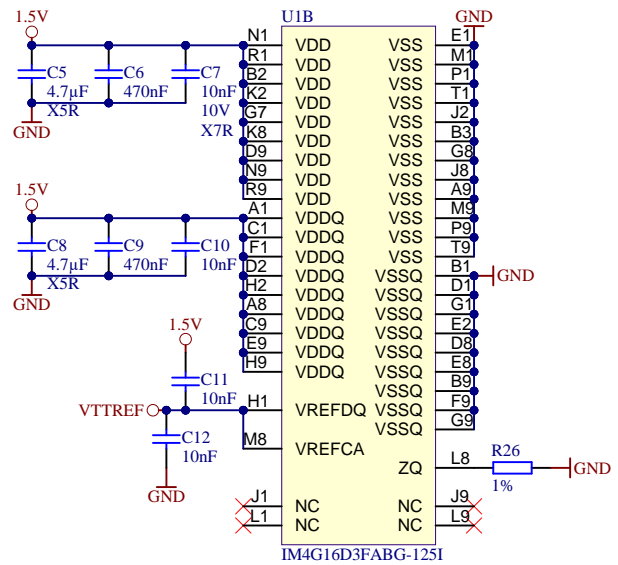
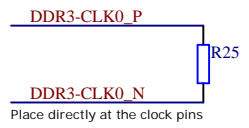
		Title: TE0729 - ZYNQ_PS_DDR	
		A4	Number: TE0729 2IFY
Date: 2016-05-02		Copyright: Trenz Electronic GmbH / TT	
Date: 2016-05-02		Page 10 of 21	
Filename: PS-DDR.SchDoc			



	Title: TE0729 - ZYNQ_MISC		
	A4	Number: TE0729 2IFY	Rev. 02
	Date: 2016-05-02	Copyright: Trenz Electronic GmbH / TT	
	Page 11 of 21		Filename: ZYNQ_MISC.SchDoc

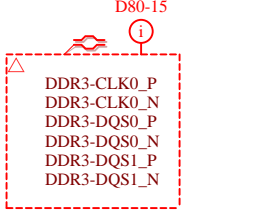
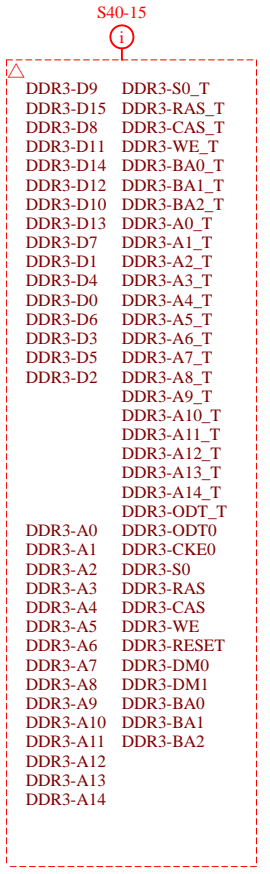


			Title: TE0729 - ZYNQ_Power	
			A4	Number: TE0729 2IFY
Date: 2016-05-02		Copyright: Trenz Electronic GmbH / TT		Page 12 of 21
Filename: ZYNC_POWER.SchDoc				

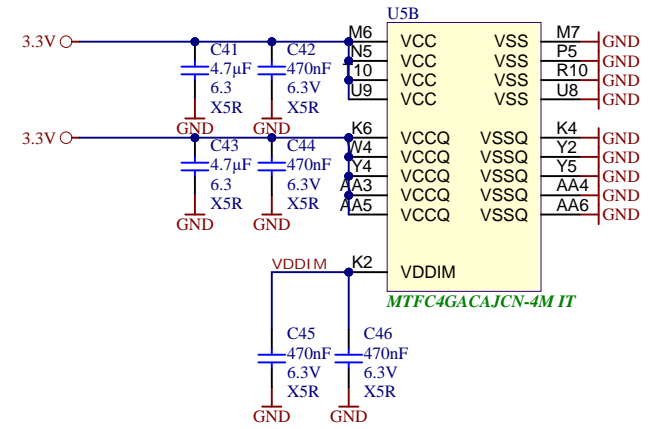
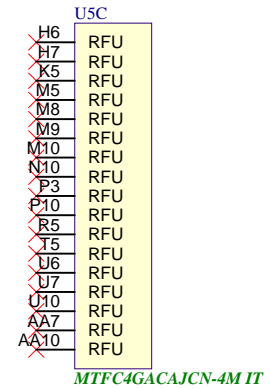
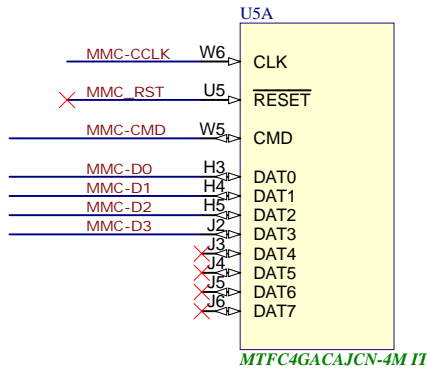
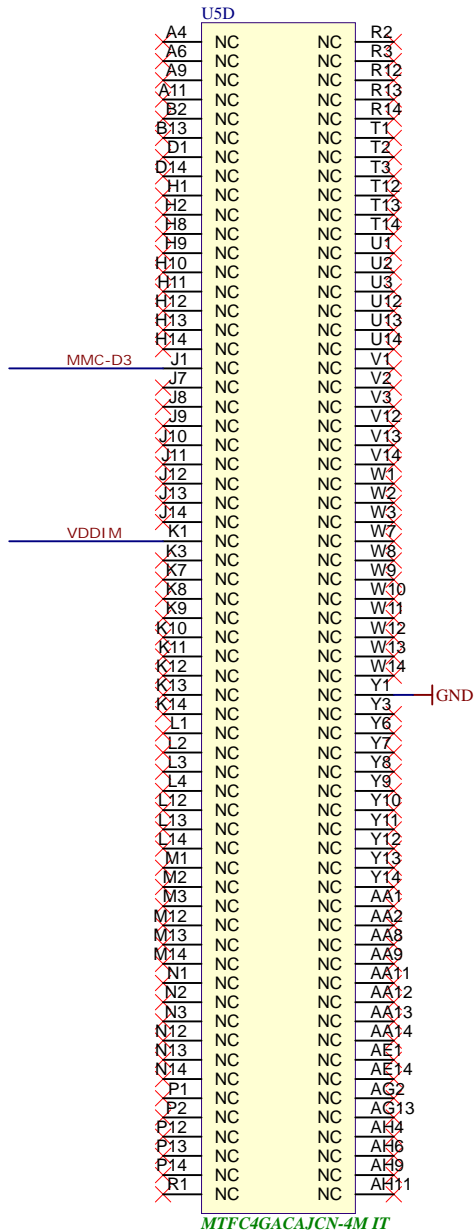


DDR3

DDR3-ODT0	R68	DDR3-ODT_T
DDR3-S0	R102	DDR3-S0_T
DDR3-RAS	R103	DDR3-RAS_T
DDR3-CAS	R4	DDR3-CAS_T
DDR3-WE	R5	DDR3-WE_T
DDR3-BA0	R7	DDR3-BA0_T
DDR3-BA1	R97	DDR3-BA1_T
DDR3-BA2	R9	DDR3-BA2_T
DDR3-A0	R96	DDR3-A0_T
DDR3-A1	R106	DDR3-A1_T
DDR3-A2	R12	DDR3-A2_T
DDR3-A3	R107	DDR3-A3_T
DDR3-A4	R14	DDR3-A4_T
DDR3-A5	R110	DDR3-A5_T
DDR3-A6	R16	DDR3-A6_T
DDR3-A7	R17	DDR3-A7_T
DDR3-A8	R111	DDR3-A8_T
DDR3-A9	R19	DDR3-A9_T
DDR3-A10	R20	DDR3-A10_T
DDR3-A11	R21	DDR3-A11_T
DDR3-A12	R22	DDR3-A12_T
DDR3-A13	R23	DDR3-A13_T
DDR3-A14	R24	DDR3-A14_T



Title: TE0729 - DDR3		
A4	Number: TE0729 2IFY	Rev. 02
Date: 2016-05-02	Copyright: Trenz Electronic GmbH / TT	Page 13 of 21
Filename: DDR-RAM.SchDoc		



Title: TE0729 - eMMC		
A4	Number: TE0729 2IFY	Rev. 02
Date: 2016-05-02	Copyright: Trenz Electronic GmbH / TT	Page 14 of 21
Filename: eMMC.SchDoc		

A

B

C

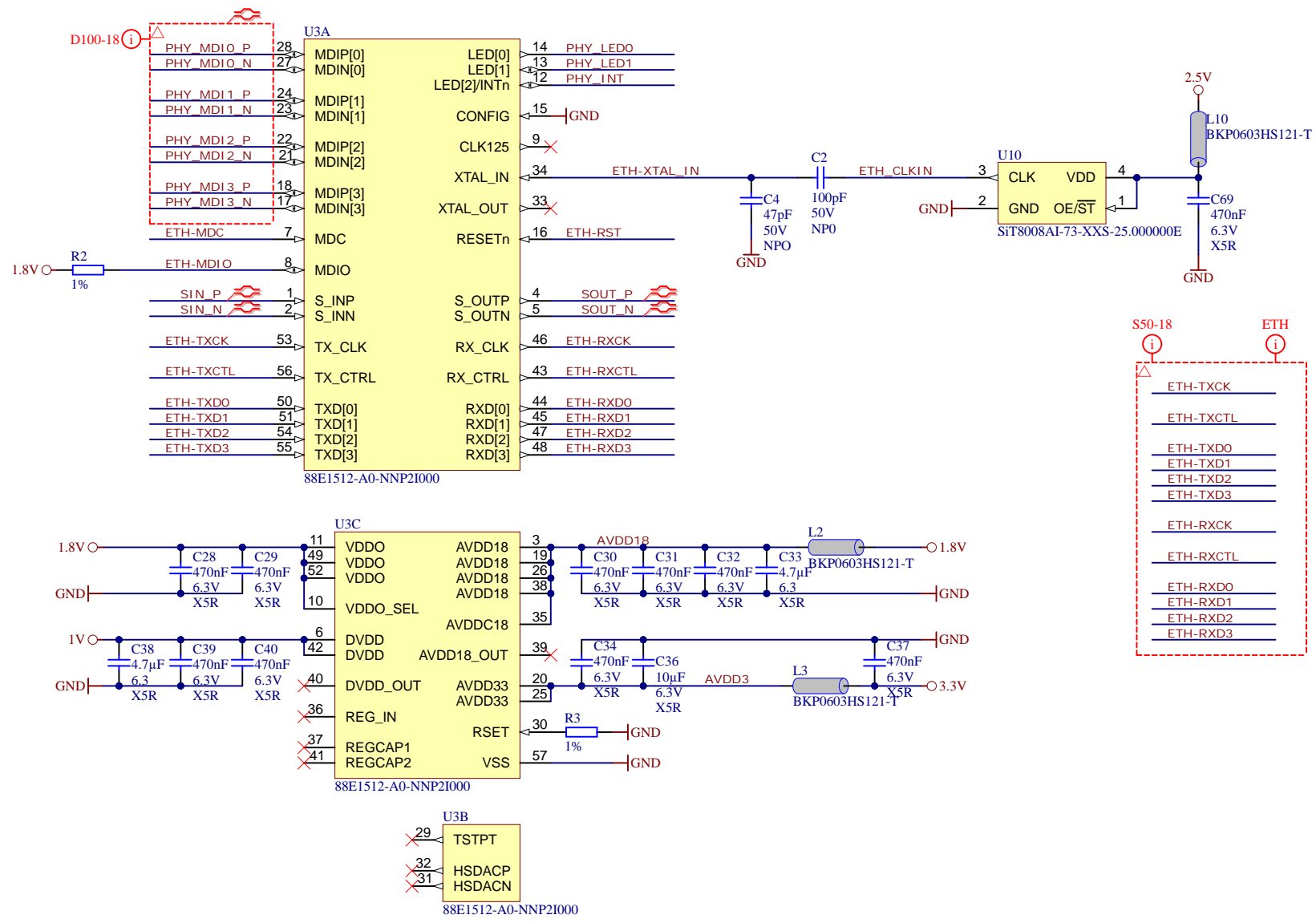
D

A

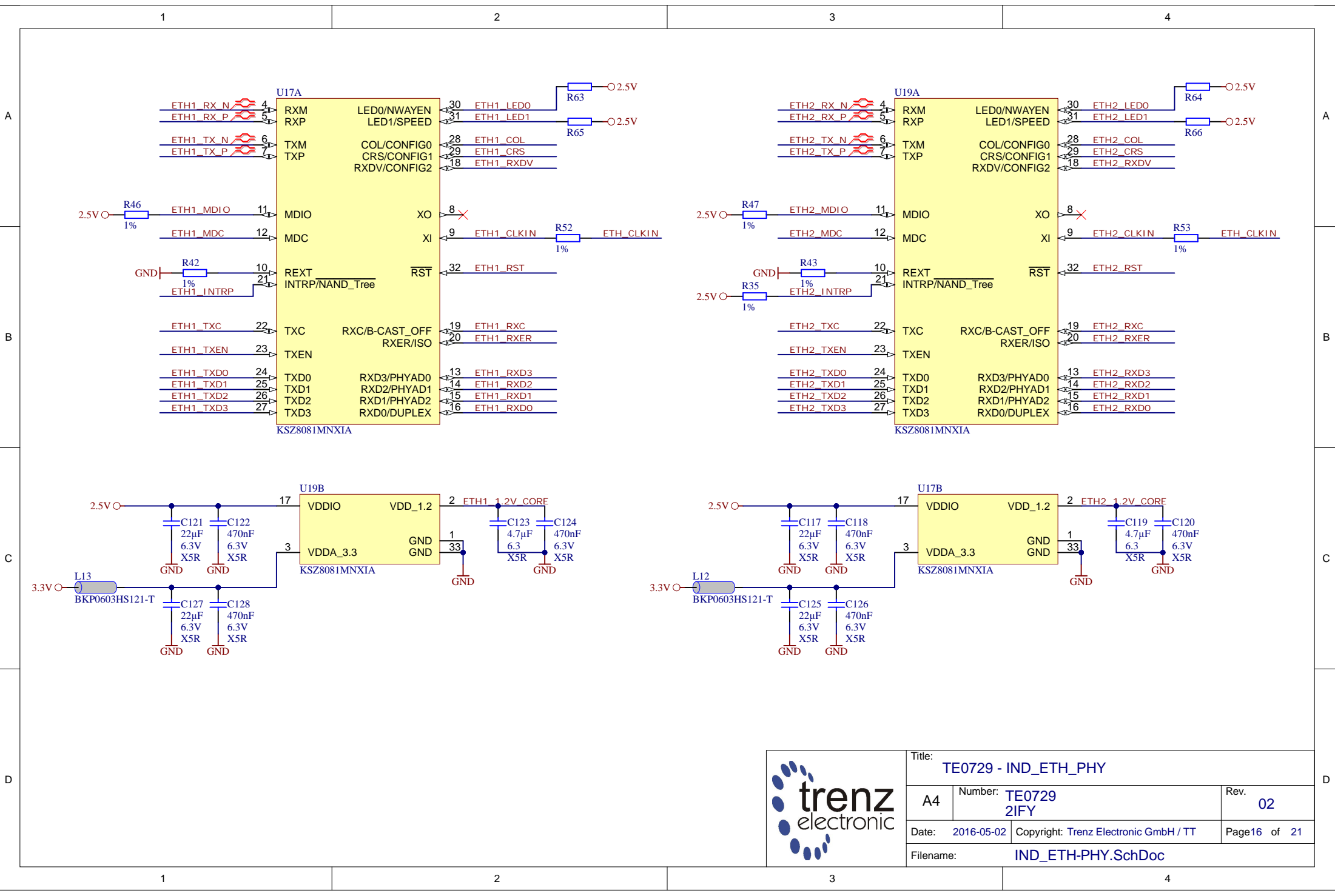
B


C

D



Title: TE0729 - ETH_PHY		
A4	Number: TE0729 2IFY	Rev. 02
Date: 2016-05-02	Copyright: Trenz Electronic GmbH / TT	Page 15 of 21
Filename: ETH-PHY.SchDoc		



		Title: TE0729 - IND_ETH_PHY	
		A4	Number: TE0729 2IFY
Date: 2016-05-02		Copyright: Trenz Electronic GmbH / TT	
Filename: IND_ETH-PHY.SchDoc		Page 16 of 21	

1

2

3

4

A

A

B

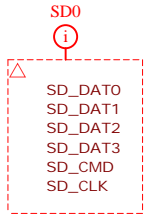
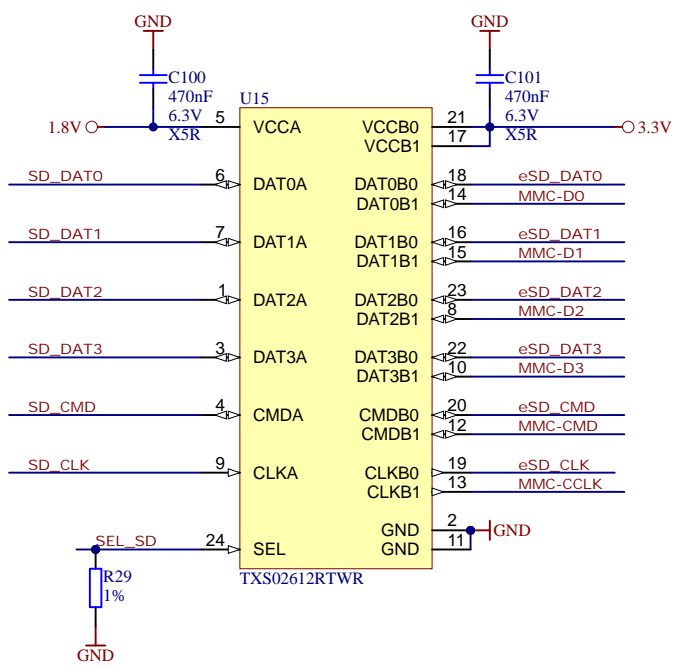
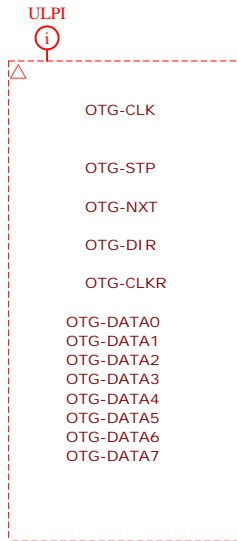
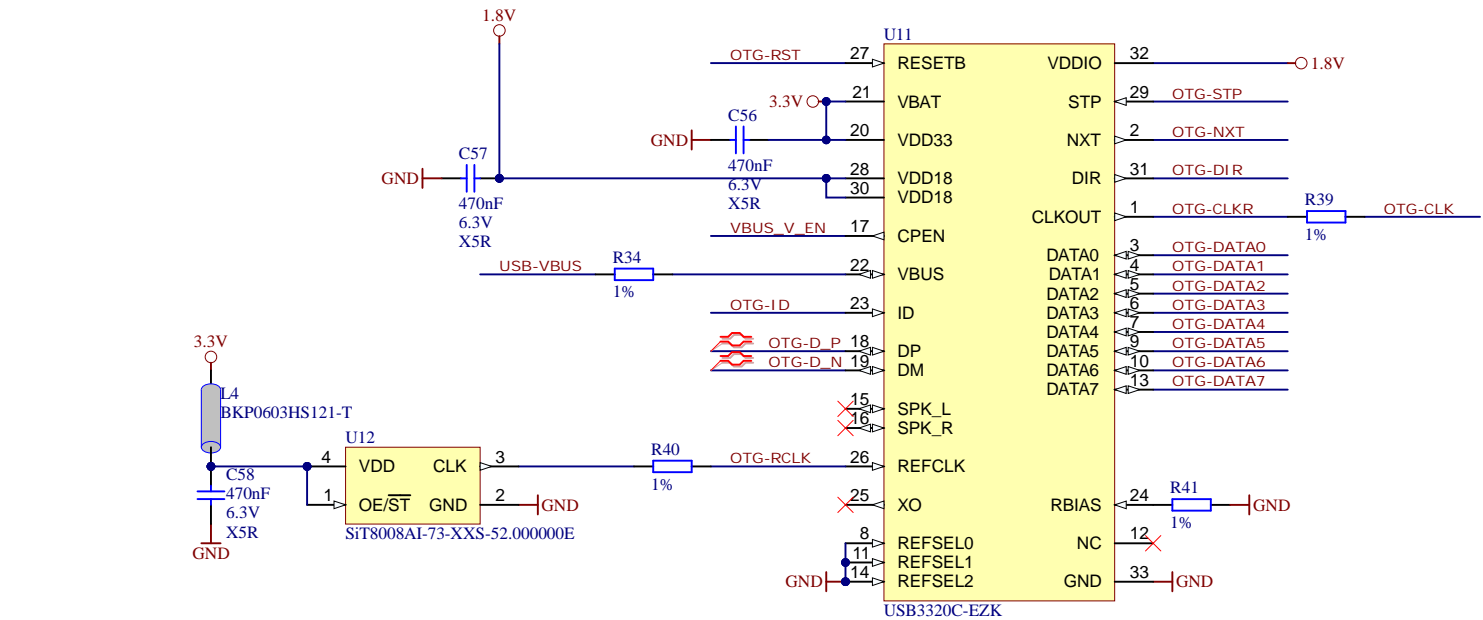
B

C

C

D

D



Title: TE0729 - USB_PHY		
A4	Number: TE0729 2IFY	Rev. 02
Date: 2014-03-05	Copyright: Trenz Electronic GmbH / TT	Page 17 of 21
Filename: USB-PHY.SchDoc		

1

2

3

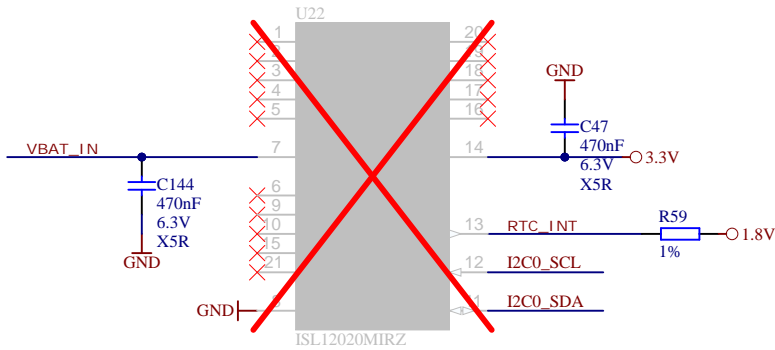
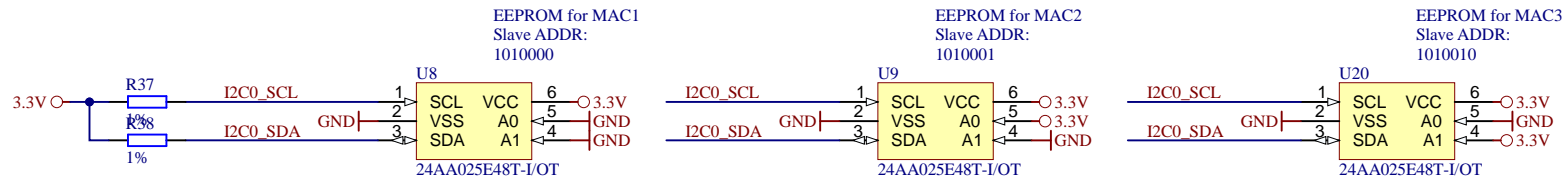
4


1

2

3

4



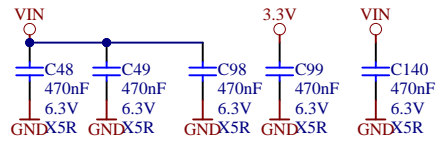
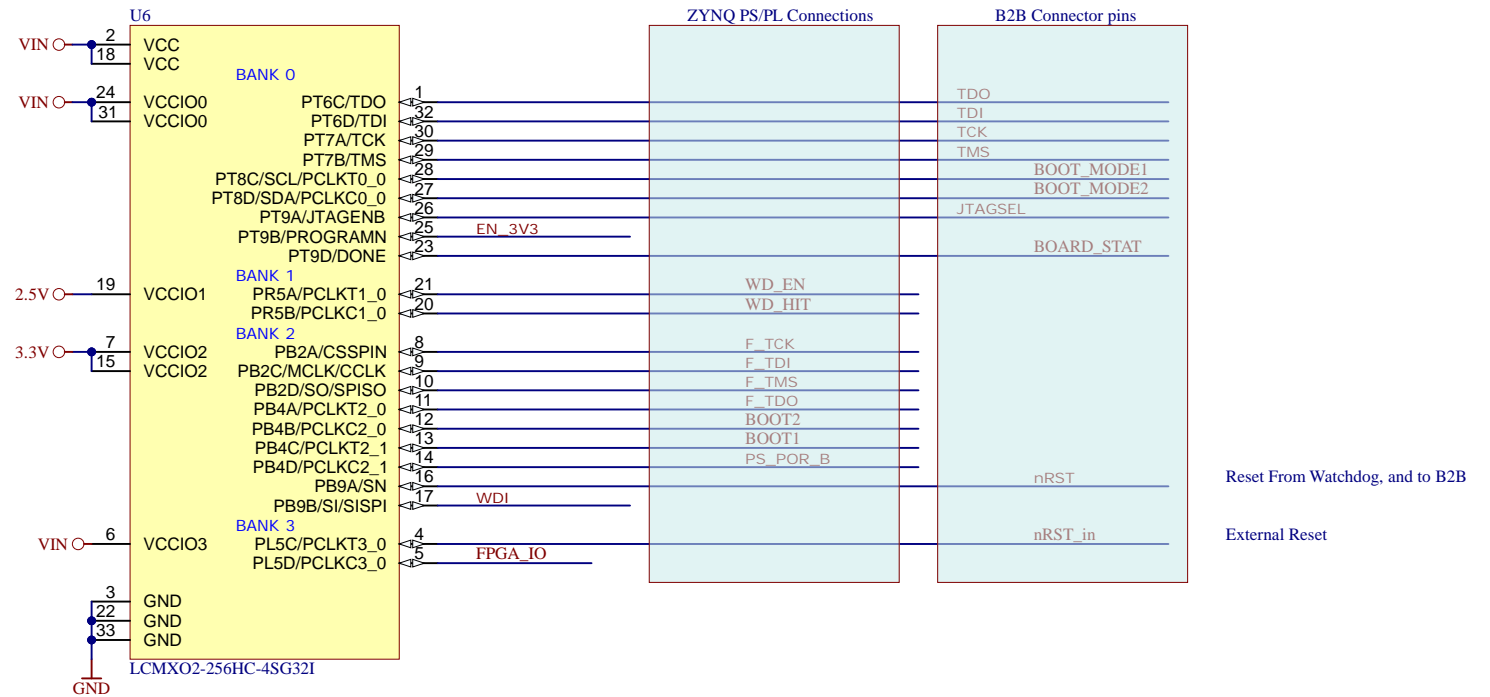
	Title: TE0729 - RTC		
	A4	Number: TE0729 2IFY	Rev. 02
	Date: 2014-03-05	Copyright: Trenz Electronic GmbH / TT	Page 18 of 21
	Filename: SENSOR-RTC.SchDoc		


1

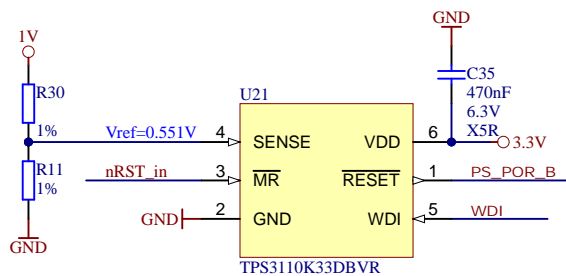
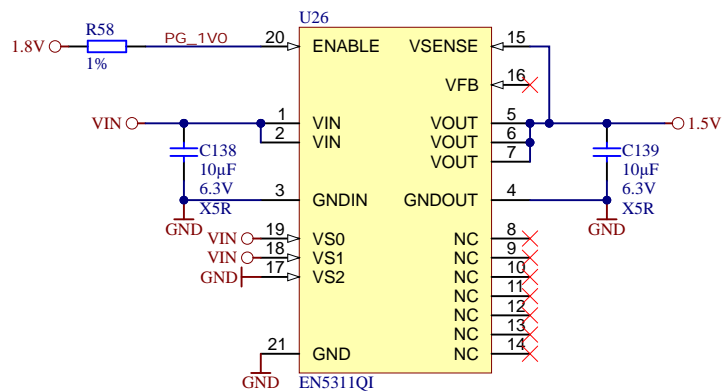
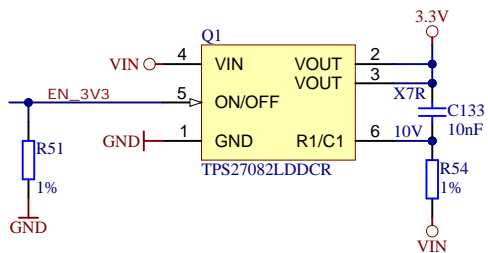
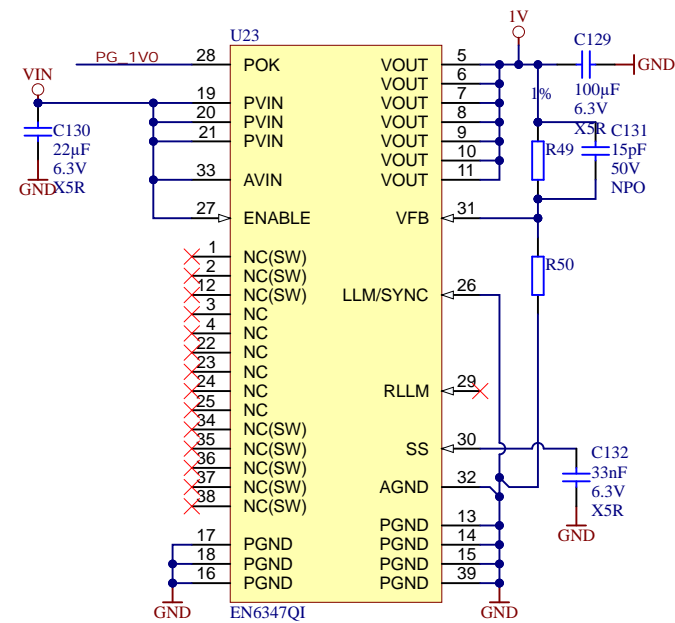
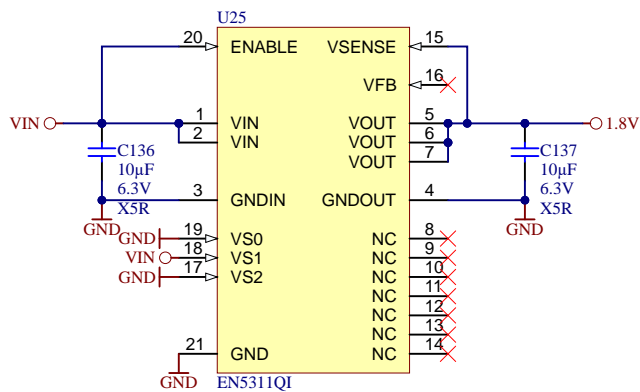
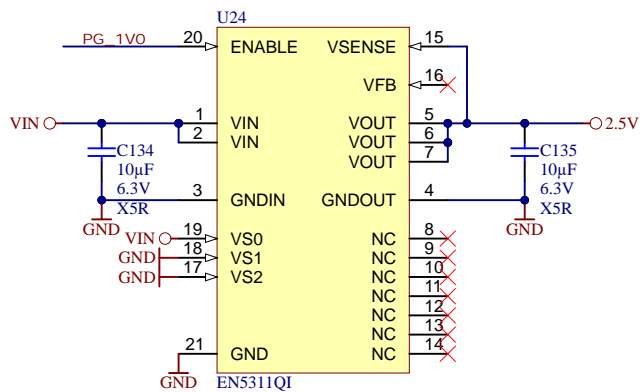

2

3

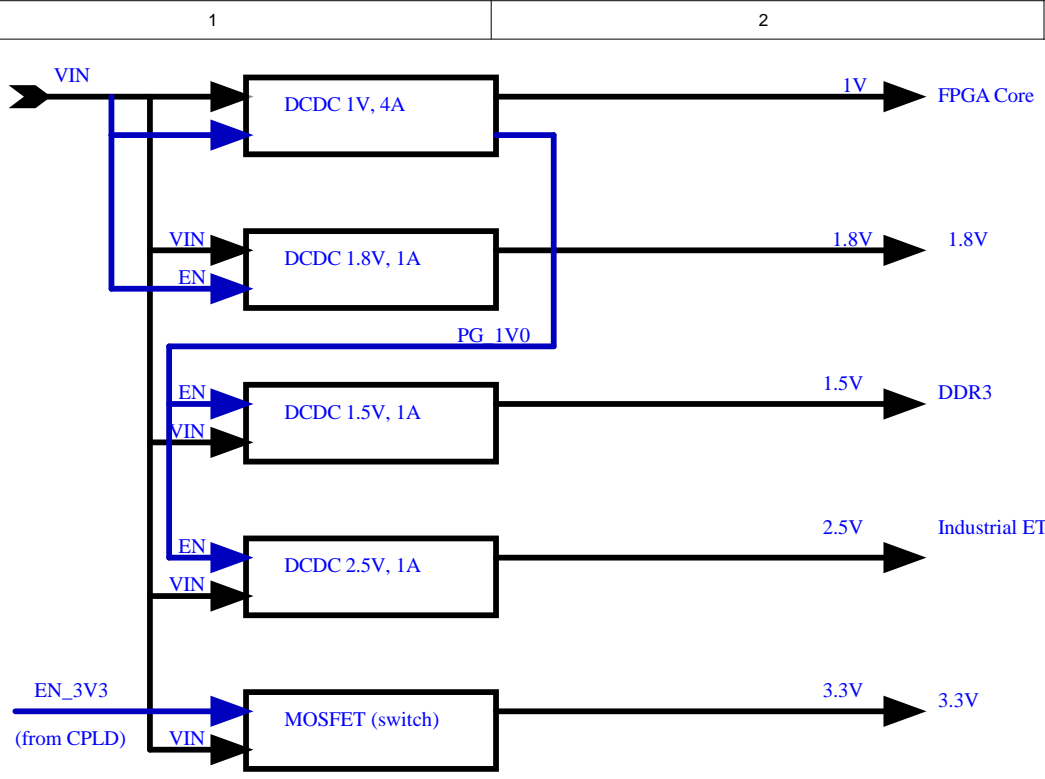
4




			Title: TE0729 - CPLD	
			A4	Number: TE0729 2IFY
Date: 2016-05-02		Copyright: Trenz Electronic GmbH / TT		Page 19 of 21
Filename: CPLD.SchDoc				

Title: TE0729 - Power		
A4	Number: TE0729 2IFY	Rev. 02
Date: 2016-05-02	Copyright: Trenz Electronic GmbH / TT	Page 20 of 21
Filename: Power.SchDoc		



			Title: TE0729 - Power overview	
			A4	Number: TE0729 2IFY
Date: 2016-05-02		Copyright: Trenz Electronic GmbH		Page21 of 21
Filename: PowerOverview.SchDoc				