

1

2

3

4

U_DDR-RAM
DDR-RAM.SchDoc



U_B13
B13.SchDoc



U_B34
B34.SchDoc



U_B35
B35.SchDoc



U_MIO_B500
MIO_B500.SchDoc



U_MIO_B501
MIO_B501.SchDoc



U_Interface
Interface.SchDoc



U_Power
Power.SchDoc



U_PS-DRR
PS-DRR.SchDoc



U_PowerOverview
PowerOverview.SchDoc



U_ETH-PHY
ETH-PHY.SchDoc



U_ZYNC_POWER
ZYNC_POWER.SchDoc



U_ZYNQ_MISC
ZYNQ_MISC.SchDoc



U_B33
B33.SchDoc



U_IND_ETH-PHY
IND_ETH-PHY.SchDoc



U_USB-PHY
USB-PHY.SchDoc



U_eMMC
eMMC.SchDoc



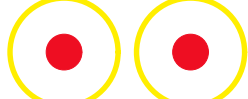
U_SENSOR-RTC
SENSOR-RTC.SchDoc



U_CPLD
CPLD.SchDoc



FIDU-DOT - small FIDU-DOT - small



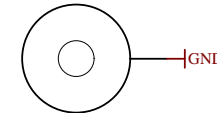
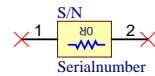
PM1 PM2
FIDU-DOT - small FIDU-DOT - small



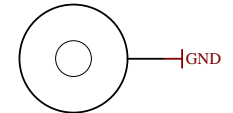
PM3 PM4
FIDU-DOT - small FIDU-DOT - small



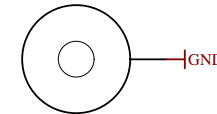
PM5 PM6



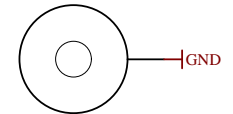
Mount.Hole 3.2mm für Unterlegscheibe



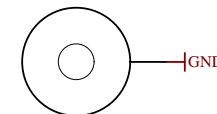
Mount.Hole 3.2mm für Unterlegscheibe



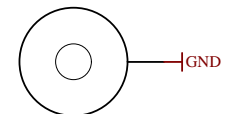
Mount.Hole 3.2mm für Unterlegscheibe



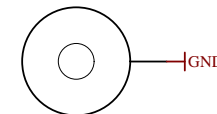
Mount.Hole 3.2mm für Unterlegscheibe



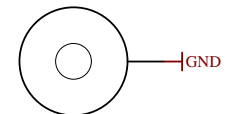
Mount.Hole 3.2mm für Unterlegscheibe



Mount.Hole 3.2mm für Unterlegscheibe



Mount.Hole 3.2mm für Unterlegscheibe



Mount.Hole 3.2mm für Unterlegscheibe



Title: TE0729		
A4	Number: TE0729 2IR	Rev. 02
Date: 2016-05-02	Copyright: Trenz Electronic GmbH / TT	Page1 of 20
Filename: TE0729.SchDoc		

1

2

3

4

A

A

B

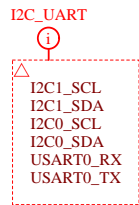
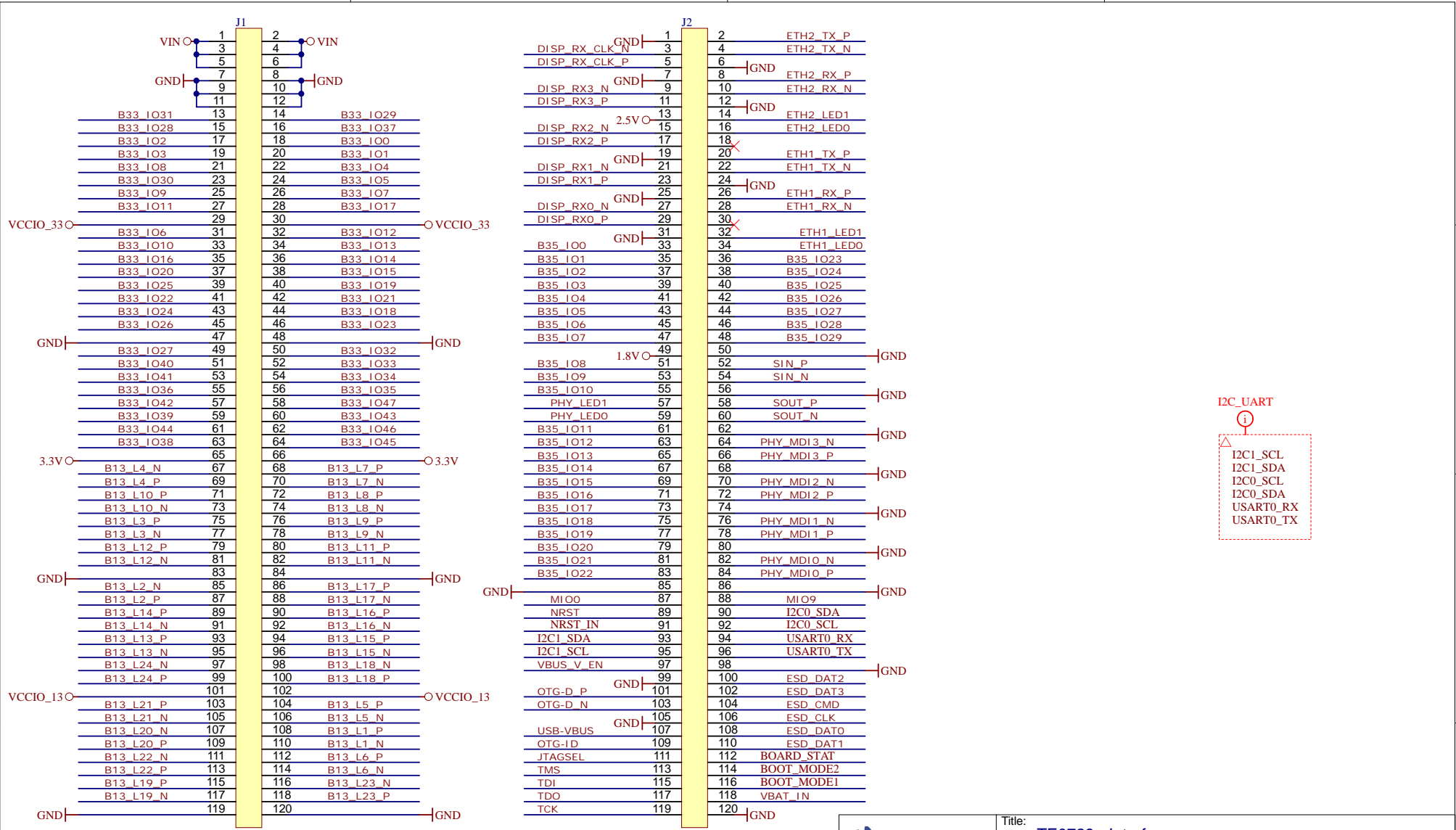
B

C

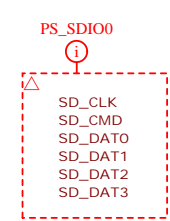
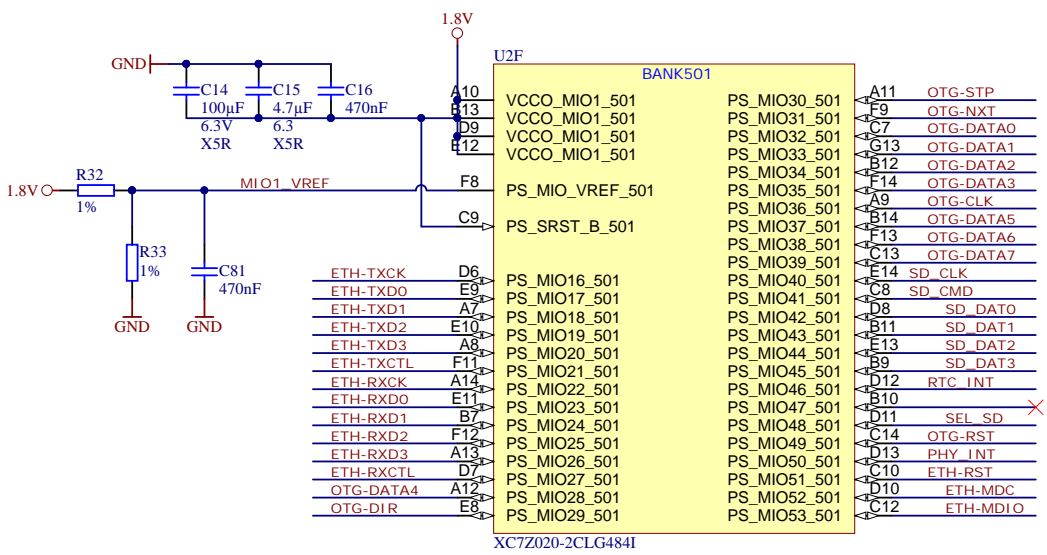
C

D

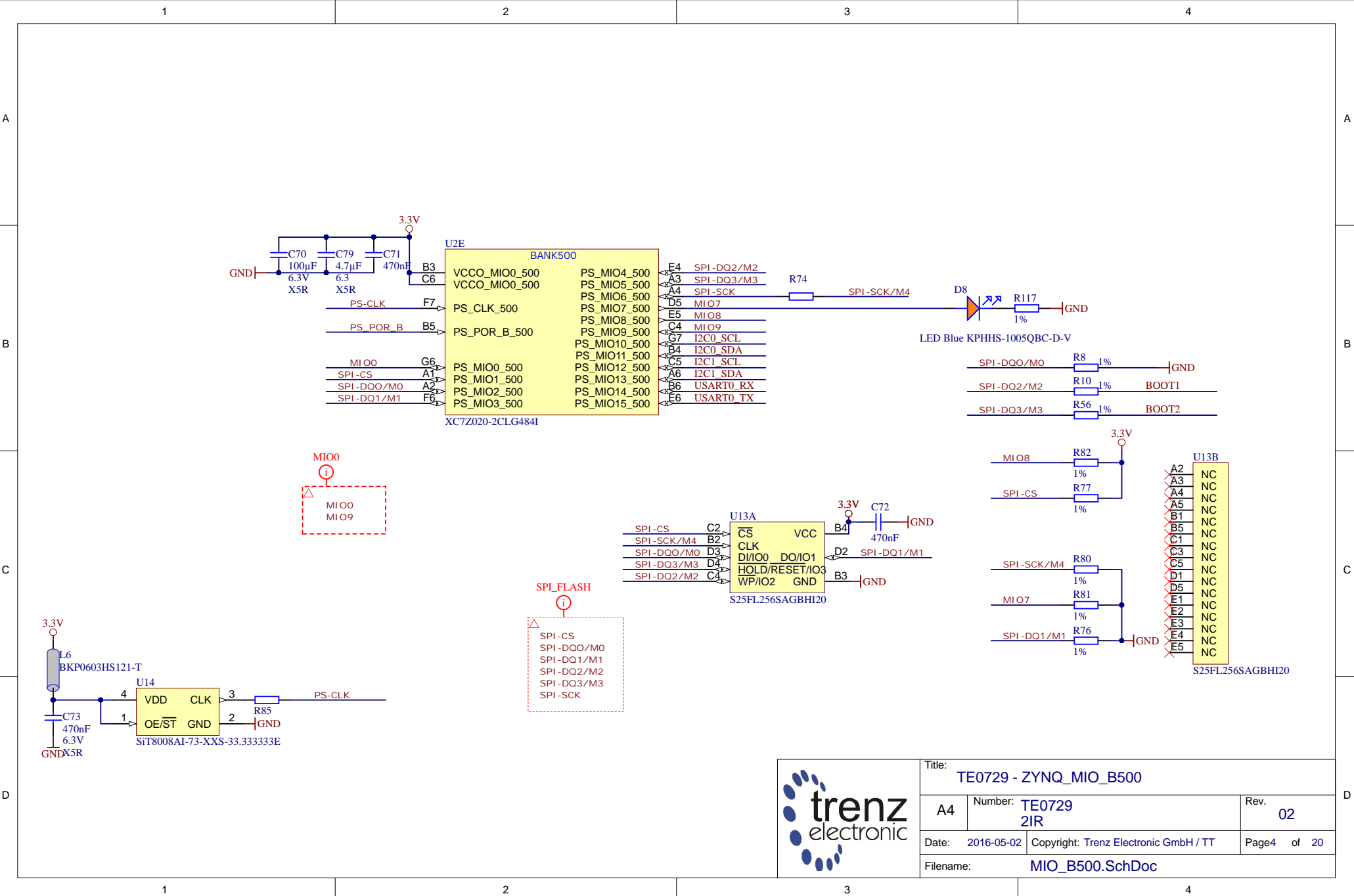
D



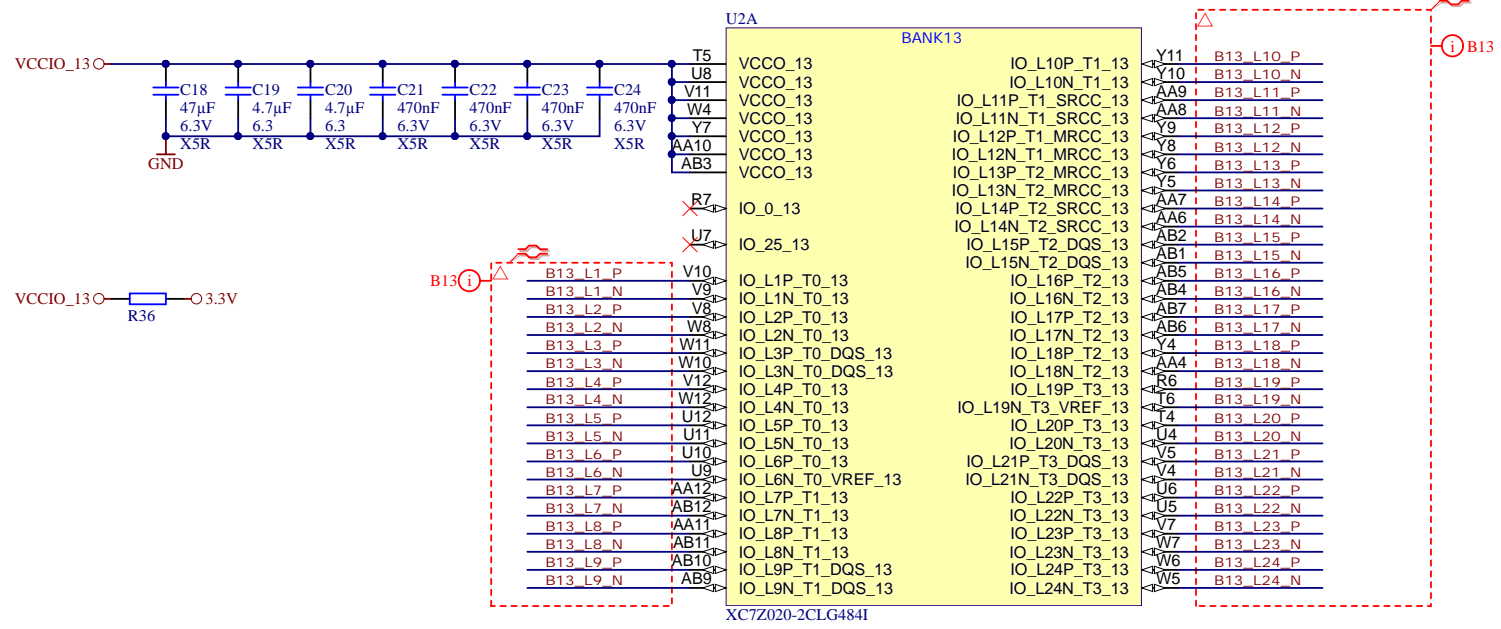
Title: TE0729 - Interface		
A4	Number: TE0729 2IR	Rev. 02
Date: 2016-05-02	Copyright: Trenz Electronic GmbH / TT	Page2 of 20
Filename: Interface.SchDoc		




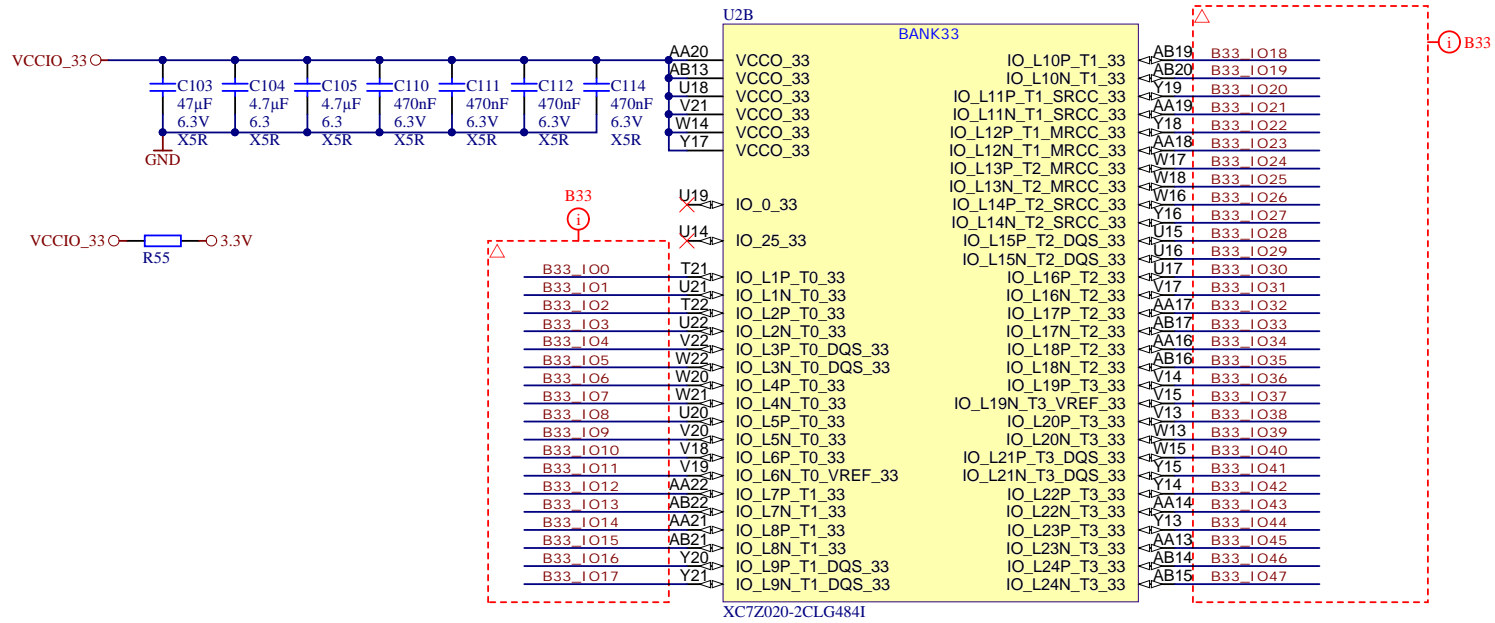
	Title: TE0729 - ZYNQ_MIO_B501	
	A4	Number: TE0729 2IR
	Date: 2016-05-02	Copyright: Trenz Electronic GmbH / TT
	Filename: MIO_B501.SchDoc	Rev. 02
		Page3 of 20



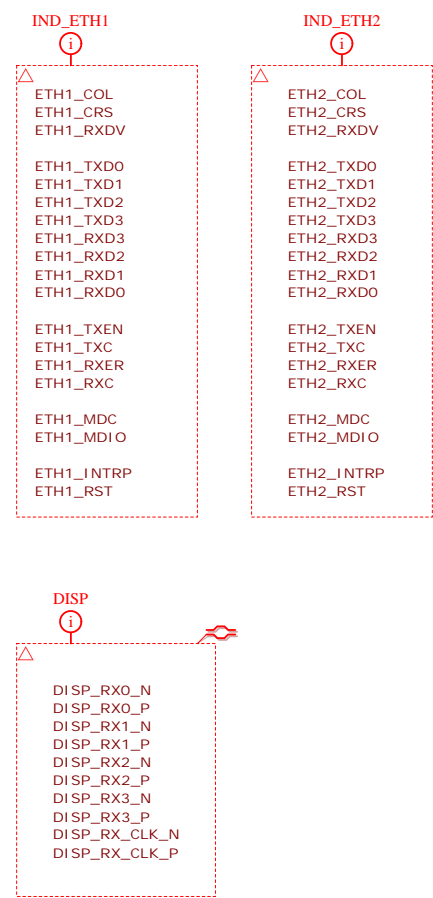
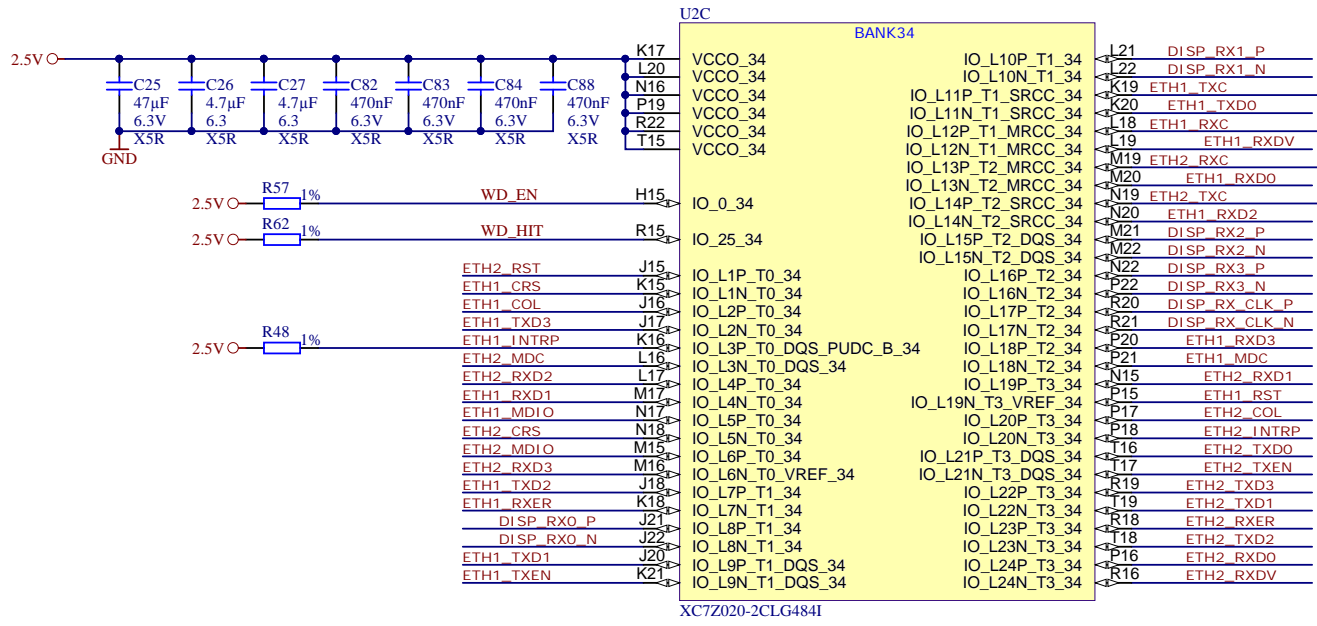
Title: TE0729 - ZYNQ_MIO_B500		
A4	Number: TE0729 2IR	Rev. 02
Date: 2016-05-02	Copyright: Trenz Electronic GmbH / TT	Page4 of 20
Filename: MIO_B500.SchDoc		



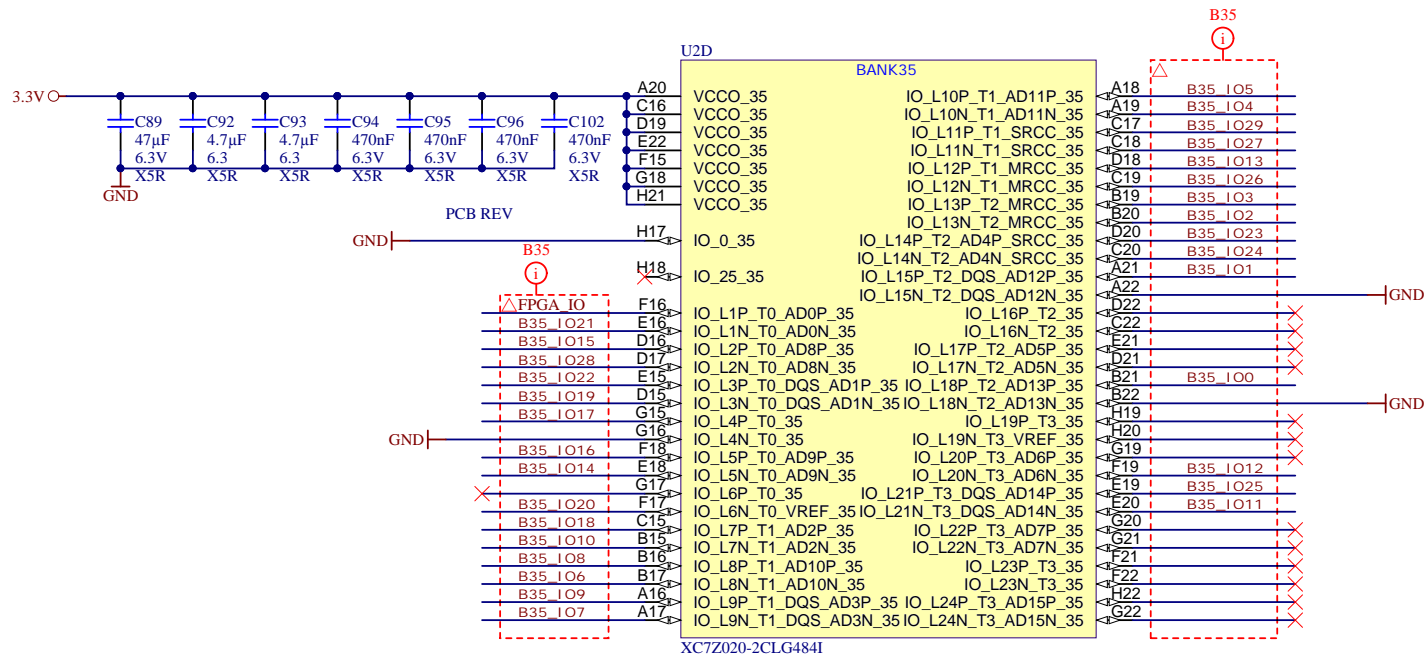
		Title: TE0729 - ZYNQ_B13	
		A4	Number: TE0729 2IR
Date: 2016-05-02		Copyright: Trenz Electronic GmbH / TT	
Filename: B13.SchDoc		Page5 of 20	



	Title: TE0729 - ZYNQ_B33		
	A4	Number: TE0729 2IR	Rev. 02
	Date: 2016-05-02	Copyright: Trenz Electronic GmbH / TT	Page6 of 20
	Filename: B33.SchDoc		

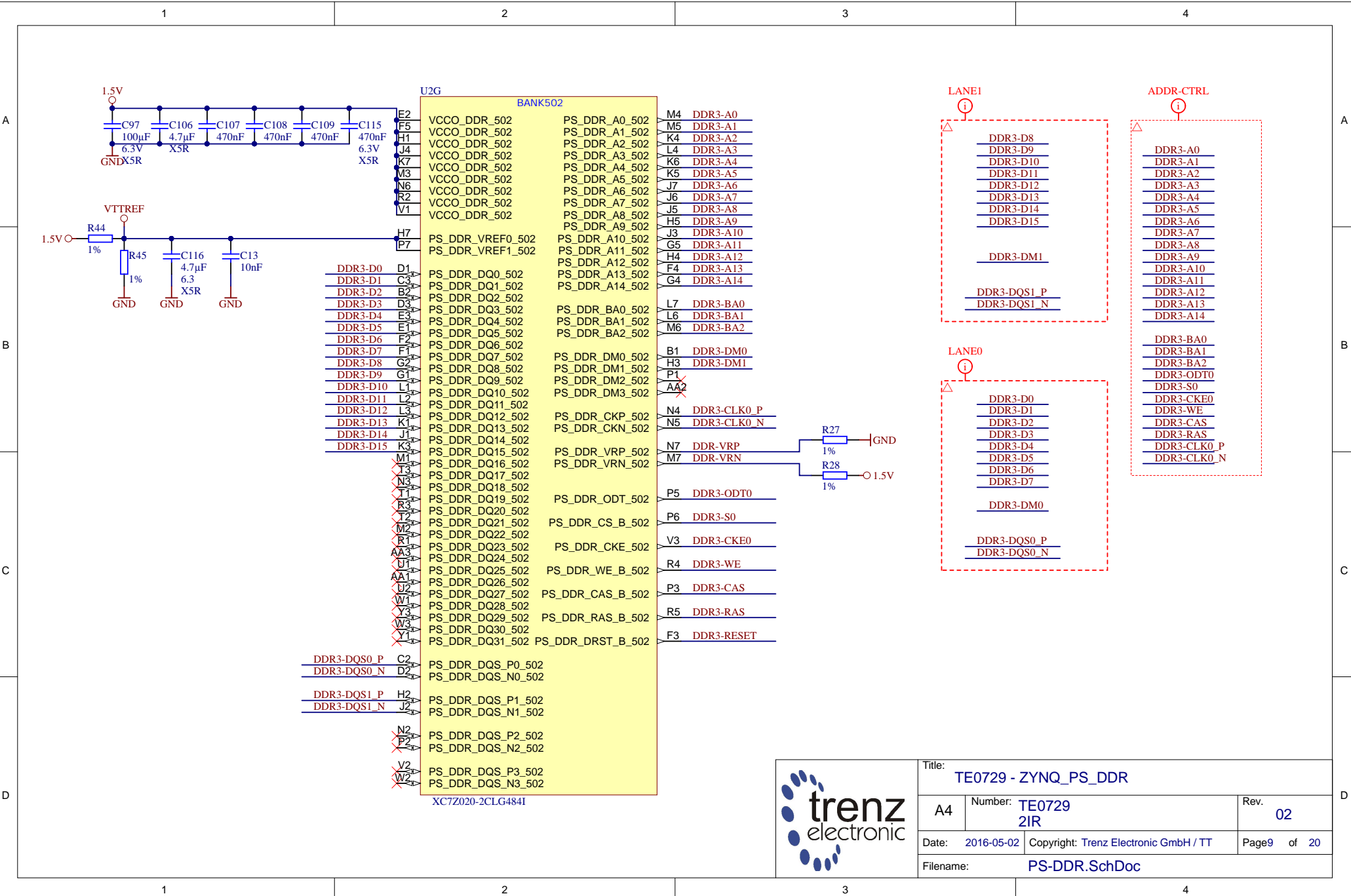


	Title: TE0729 - ZYNQ_B34	
	A4	Number: TE0729 2IR
	Date: 2016-05-02	Copyright: Trenz Electronic GmbH / TT
	Filename: B34.SchDoc	Rev. 02
		Page 7 of 20



XC7Z020-2CLG484I

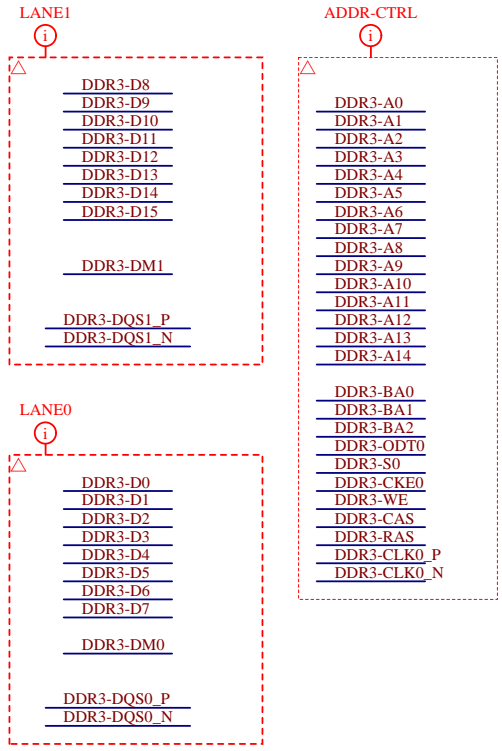

	Title: TE0729 - ZYNQ_B35		
	A4	Number: TE0729 2IR	Rev. 02
	Date: 2016-05-02	Copyright: Trenz Electronic GmbH / TT	Page8 of 20
	Filename: B35.SchDoc		



BANK502

VCCO_DDR_502	PS_DDR_A0_502	M4	DDR3-A0
VCCO_DDR_502	PS_DDR_A1_502	M5	DDR3-A1
VCCO_DDR_502	PS_DDR_A2_502	K4	DDR3-A2
VCCO_DDR_502	PS_DDR_A3_502	L4	DDR3-A3
VCCO_DDR_502	PS_DDR_A4_502	K6	DDR3-A4
VCCO_DDR_502	PS_DDR_A5_502	K5	DDR3-A5
VCCO_DDR_502	PS_DDR_A6_502	J7	DDR3-A6
VCCO_DDR_502	PS_DDR_A7_502	J6	DDR3-A7
VCCO_DDR_502	PS_DDR_A8_502	J5	DDR3-A8
VCCO_DDR_502	PS_DDR_A9_502	H5	DDR3-A9
VCCO_DDR_502	PS_DDR_A10_502	J3	DDR3-A10
VCCO_DDR_502	PS_DDR_A11_502	G5	DDR3-A11
VCCO_DDR_502	PS_DDR_A12_502	H4	DDR3-A12
VCCO_DDR_502	PS_DDR_A13_502	F4	DDR3-A13
VCCO_DDR_502	PS_DDR_A14_502	G4	DDR3-A14
PS_DDR_DQ0_502	PS_DDR_BA0_502	L7	DDR3-BA0
PS_DDR_DQ1_502	PS_DDR_BA1_502	L6	DDR3-BA1
PS_DDR_DQ2_502	PS_DDR_BA2_502	M6	DDR3-BA2
PS_DDR_DQ3_502	PS_DDR_DM0_502	B1	DDR3-DM0
PS_DDR_DQ4_502	PS_DDR_DM1_502	H3	DDR3-DM1
PS_DDR_DQ5_502	PS_DDR_DM2_502	P1	
PS_DDR_DQ6_502	PS_DDR_DM3_502	AA2	
PS_DDR_DQ7_502	PS_DDR_CKP_502	N4	DDR3-CLK0_P
PS_DDR_DQ8_502	PS_DDR_CKN_502	N5	DDR3-CLK0_N
PS_DDR_DQ9_502	PS_DDR_VRP_502	N7	DDR-VRP
PS_DDR_DQ10_502	PS_DDR_VRN_502	M7	DDR-VRN
PS_DDR_DQ11_502	PS_DDR_ODT_502	P5	DDR3-ODT0
PS_DDR_DQ12_502	PS_DDR_CS_B_502	P6	DDR3-S0
PS_DDR_DQ13_502	PS_DDR_CKE_502	V3	DDR3-CKE0
PS_DDR_DQ14_502	PS_DDR_CKE_502	R4	DDR3-WE
PS_DDR_DQ15_502	PS_DDR_WE_B_502	P3	DDR3-CAS
PS_DDR_DQ16_502	PS_DDR_CAS_B_502	R5	DDR3-RAS
PS_DDR_DQ17_502	PS_DDR_RAS_B_502	F3	DDR3-RESET
PS_DDR_DQ18_502	PS_DDR_DRST_B_502		
PS_DDR_DQ19_502			
PS_DDR_DQ20_502			
PS_DDR_DQ21_502			
PS_DDR_DQ22_502			
PS_DDR_DQ23_502			
PS_DDR_DQ24_502			
PS_DDR_DQ25_502			
PS_DDR_DQ26_502			
PS_DDR_DQ27_502			
PS_DDR_DQ28_502			
PS_DDR_DQ29_502			
PS_DDR_DQ30_502			
PS_DDR_DQ31_502			
PS_DDR_DQS_P0_502			
PS_DDR_DQS_N0_502			
PS_DDR_DQS_P1_502			
PS_DDR_DQS_N1_502			
PS_DDR_DQS_P2_502			
PS_DDR_DQS_N2_502			
PS_DDR_DQS_P3_502			
PS_DDR_DQS_N3_502			

XC7Z020-2CLG484I

Title: TE0729 - ZYNQ_PS_DDR		
A4	Number: TE0729 2IR	Rev. 02
Date: 2016-05-02	Copyright: Trenz Electronic GmbH / TT	Page9 of 20
Filename: PS-DDR.SchDoc		

1

2

3

4

A

A

B

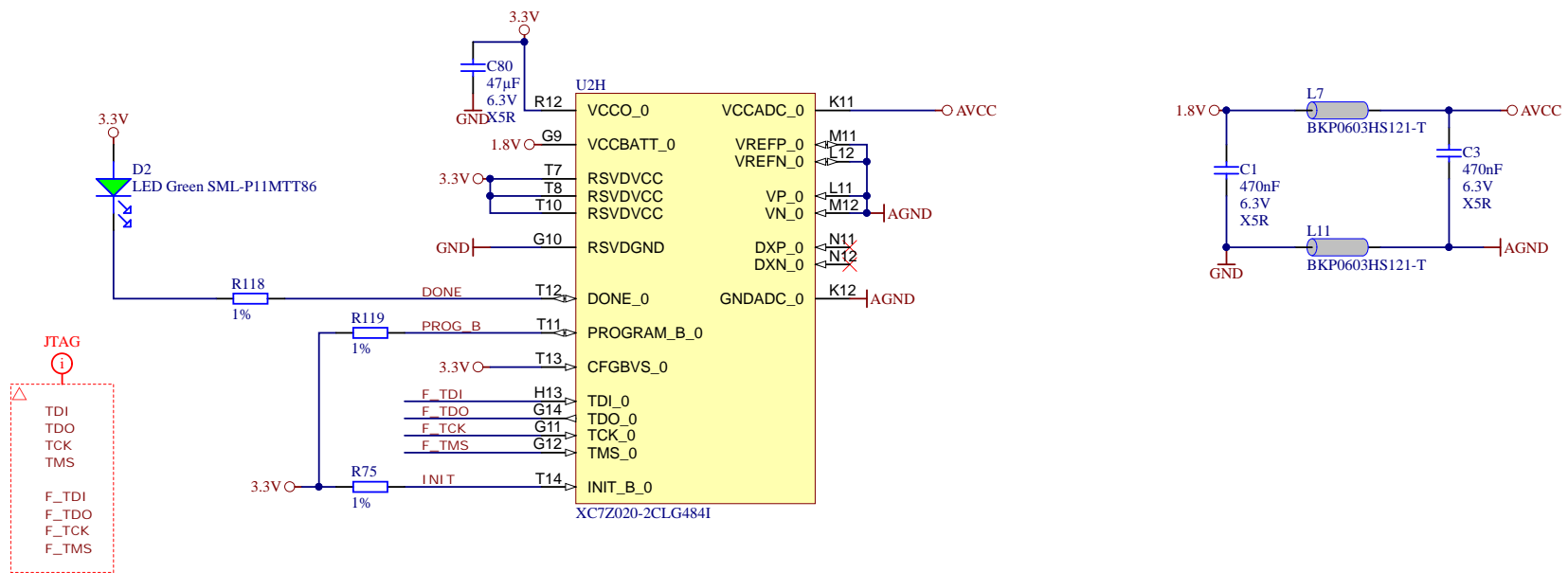
B


C

C

D

D



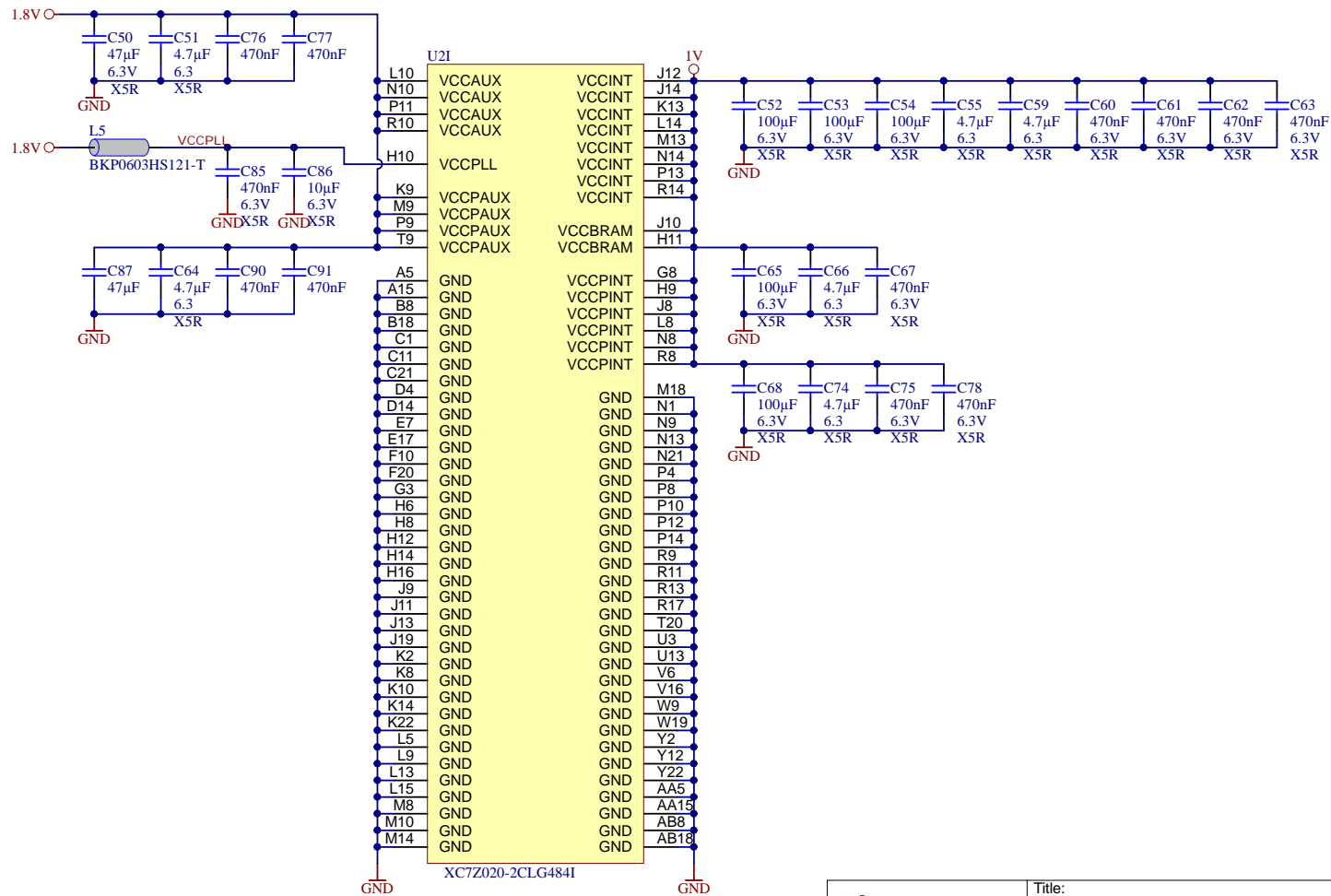
		Title: TE0729 - ZYNQ_MISC	
		A4	Number: TE0729 2IR
Date: 2016-05-02		Copyright: Trenz Electronic GmbH / TT	
Filename: ZYNQ_MISC.SchDoc		Page10 of 20	


1

2

3

4



		Title: TE0729 - ZYNQ_Power	
		A4	Number: TE0729 2IR
Date: 2016-05-02		Copyright: Trenz Electronic GmbH / TT	
Filename: ZYNC_POWER.SchDoc		Page 11 of 20	

A

B

C

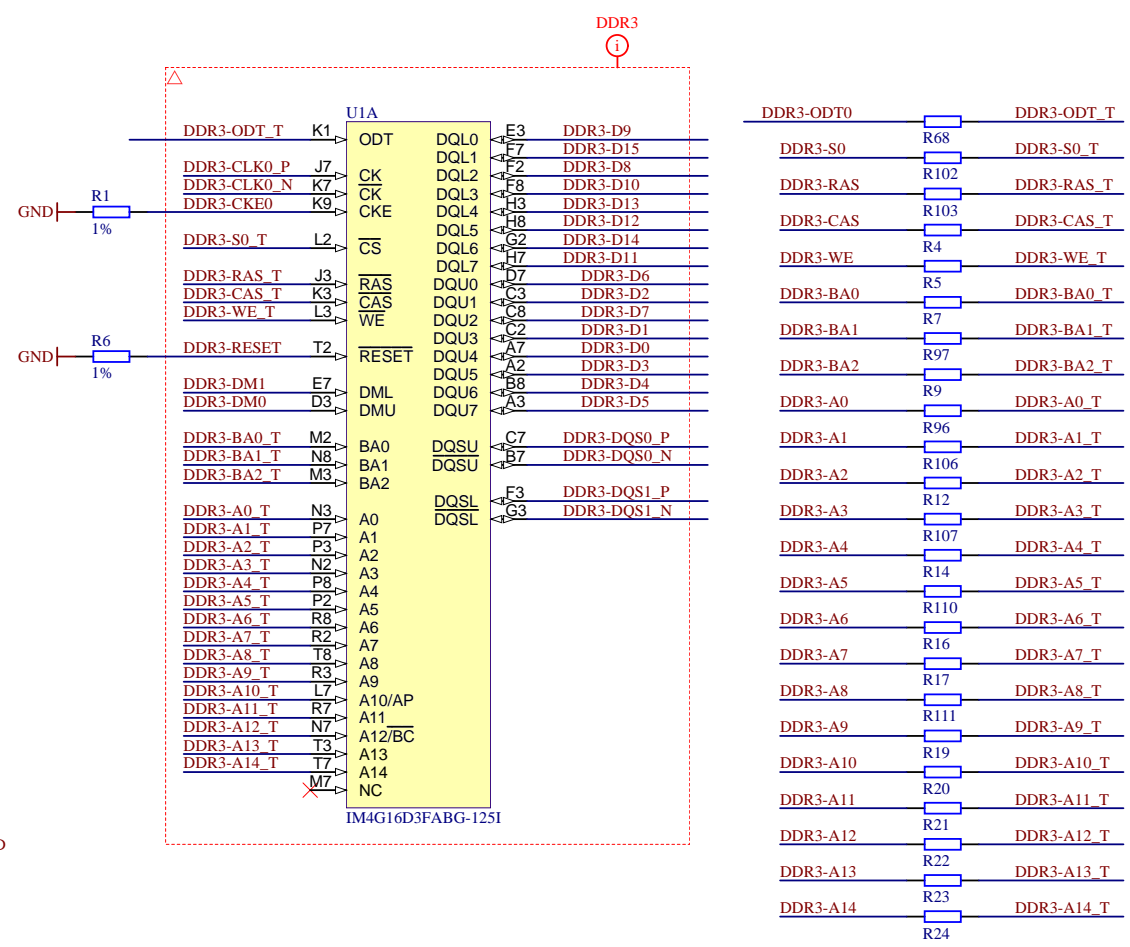
D

A

B

C

D




S40-15

DDR3-D9	DDR3-S0_T
DDR3-D15	DDR3-RAS_T
DDR3-D8	DDR3-CAS_T
DDR3-D11	DDR3-WE_T
DDR3-D14	DDR3-BA0_T
DDR3-D12	DDR3-BA1_T
DDR3-D10	DDR3-BA2_T
DDR3-D13	DDR3-A0_T
DDR3-D7	DDR3-A1_T
DDR3-D1	DDR3-A2_T
DDR3-D4	DDR3-A3_T
DDR3-D0	DDR3-A4_T
DDR3-D6	DDR3-A5_T
DDR3-D3	DDR3-A6_T
DDR3-D5	DDR3-A7_T
DDR3-D2	DDR3-A8_T
	DDR3-A9_T
	DDR3-A10_T
	DDR3-A11_T
	DDR3-A12_T
	DDR3-A13_T
	DDR3-A14_T
	DDR3-ODT_T
DDR3-A0	DDR3-ODT0
DDR3-A1	DDR3-CKE0
DDR3-A2	DDR3-S0
DDR3-A3	DDR3-RAS
DDR3-A4	DDR3-CAS
DDR3-A5	DDR3-WE
DDR3-A6	DDR3-RESET
DDR3-A7	DDR3-DM0
DDR3-A8	DDR3-DM1
DDR3-A9	DDR3-BA0
DDR3-A10	DDR3-BA1
DDR3-A11	DDR3-BA2
DDR3-A12	
DDR3-A13	
DDR3-A14	

D80-15

DDR3-CLK0_P
DDR3-CLK0_N
DDR3-DQS0_P
DDR3-DQS0_N
DDR3-DQS1_P
DDR3-DQS1_N



Title: TE0729 - DDR3		
A4	Number: TE0729 2IR	Rev. 02
Date: 2016-05-02	Copyright: Trenz Electronic GmbH / TT	Page12 of 20
Filename: DDR-RAM.SchDoc		

A

B

C

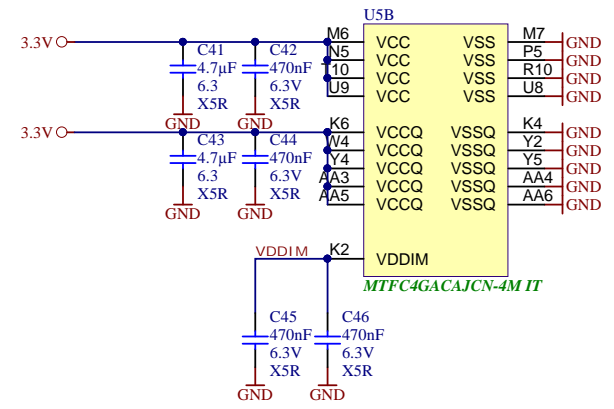
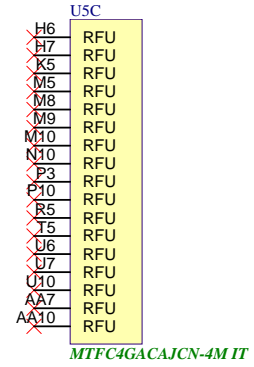
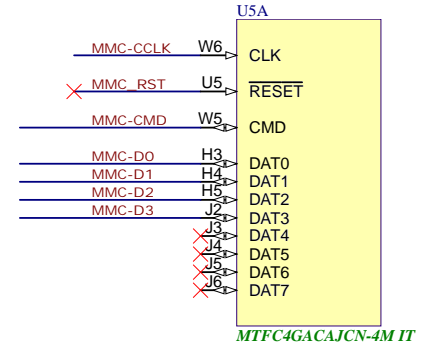
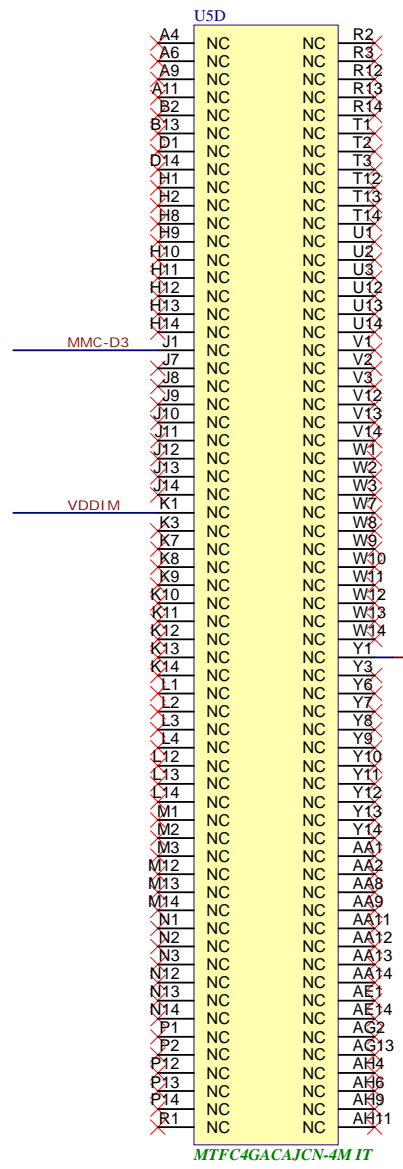
D

A

B

C

D



	Title: TE0729 - eMMC	
	A4	Number: TE0729 2IR
	Date: 2016-05-02	Copyright: Trenz Electronic GmbH / TT
	Filename: eMMC.SchDoc	Rev. 02
		Page13 of 20

A

B

C

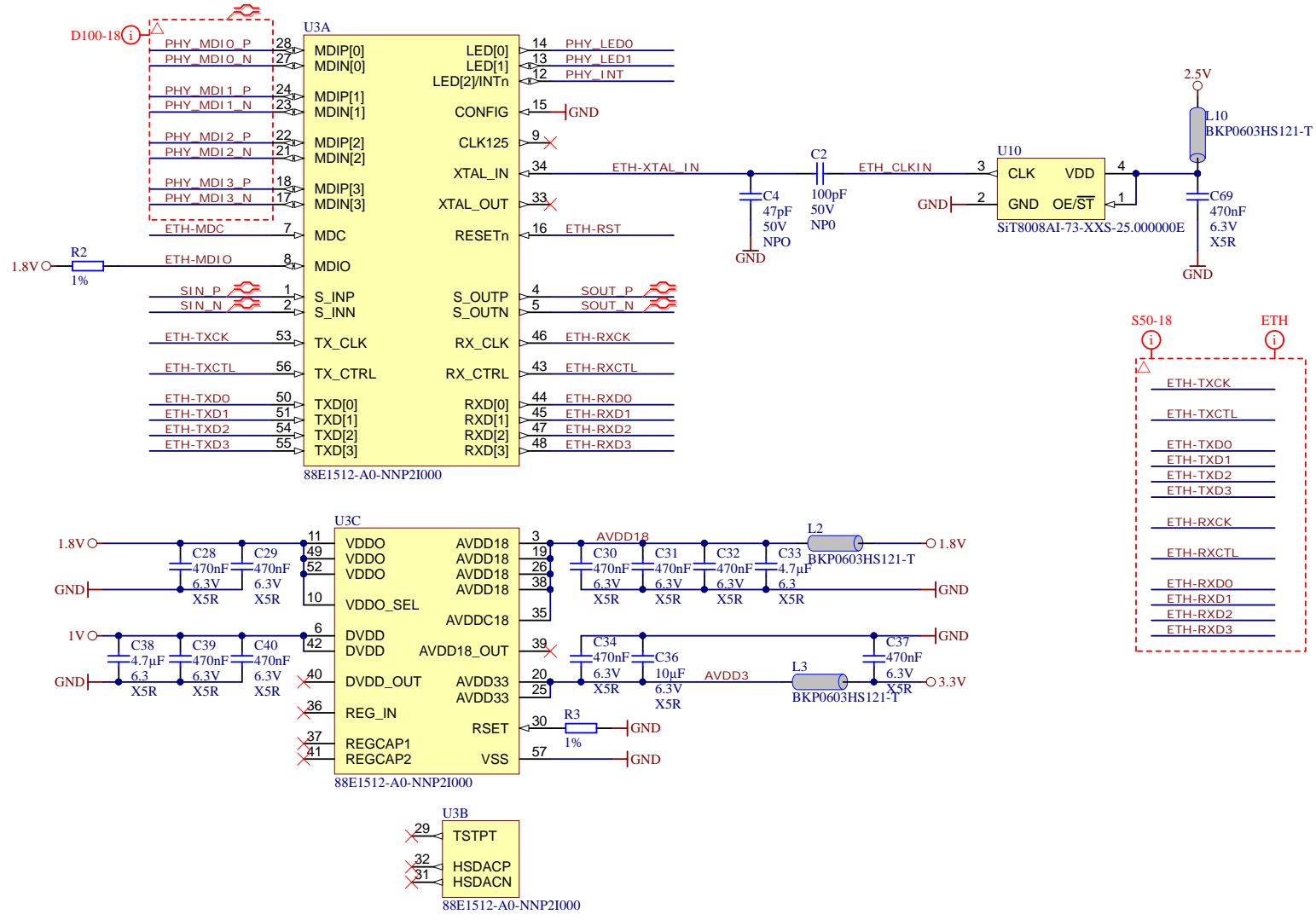
D

A

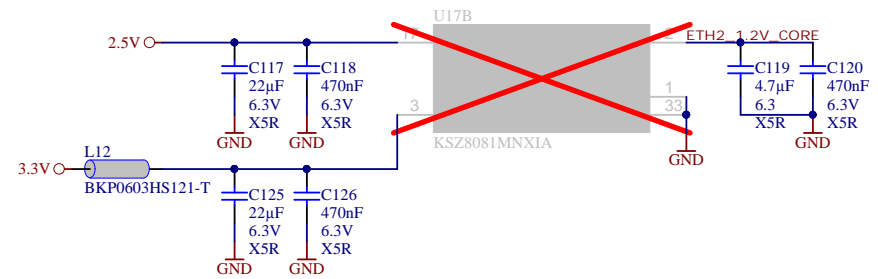
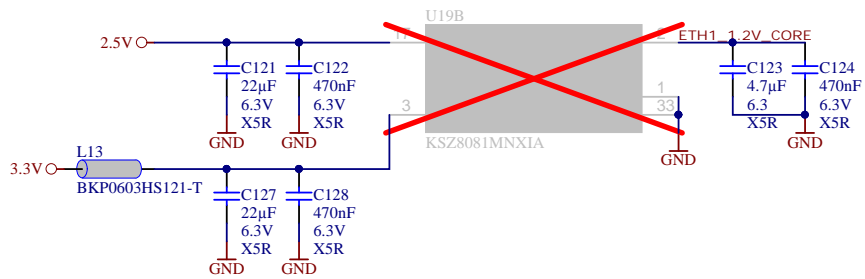
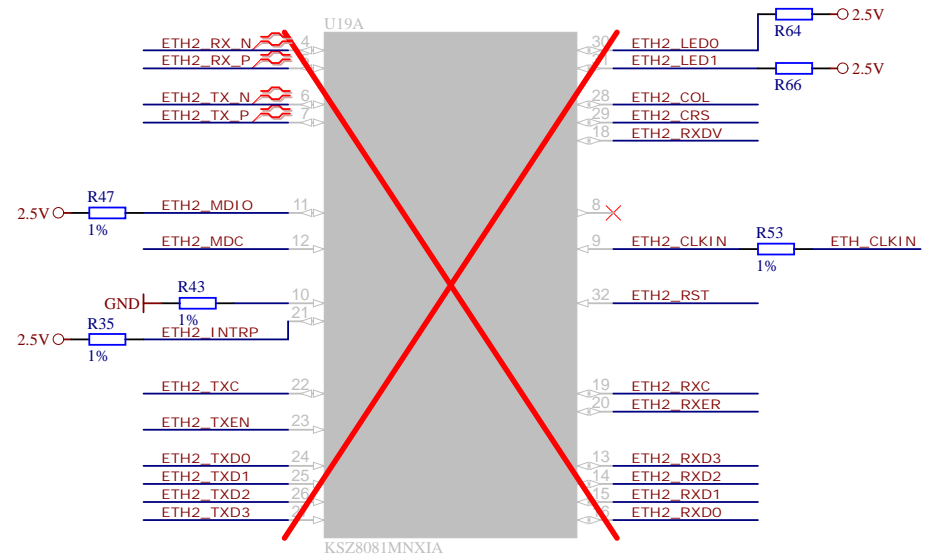
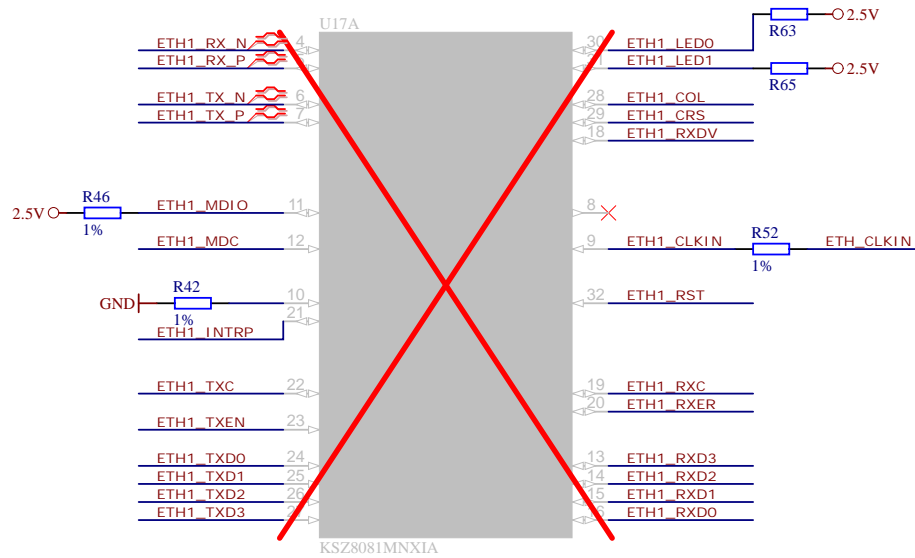
B

C

D



	Title: TE0729 - ETH_PHY	
	A4	Number: TE0729 2IR
	Date: 2016-05-02	Copyright: Trenz Electronic GmbH / TT
	Filename: ETH-PHY.SchDoc	Rev. 02



Title: TE0729 - IND_ETH_PHY		
A4	Number: TE0729 2IR	Rev. 02
Date: 2016-05-02	Copyright: Trenz Electronic GmbH / TT	Page 15 of 20
Filename: IND_ETH-PHY.SchDoc		

1

2

3

4

1

2

3

4

A

A

B

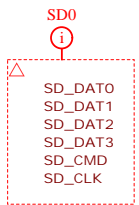
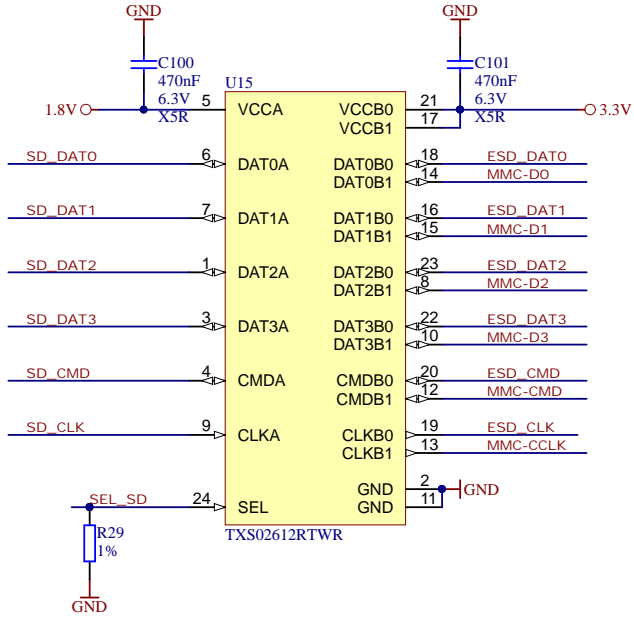
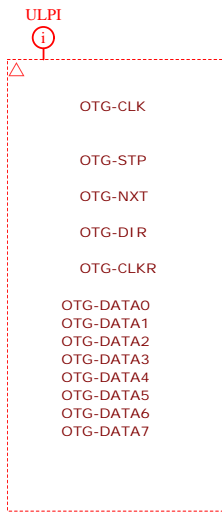
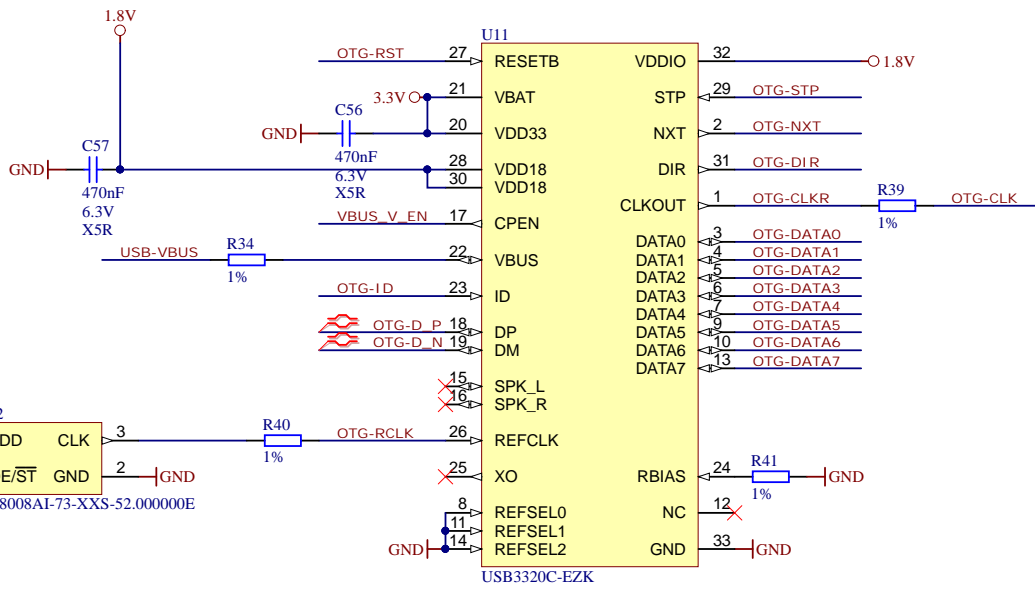
B

C

C

D

D



Title: TE0729 - USB_PHY		
A4	Number: TE0729 2IR	Rev. 02
Date: 2014-03-05	Copyright: Trenz Electronic GmbH / TT	Page 16 of 20
Filename: USB-PHY.SchDoc		

1

2

3

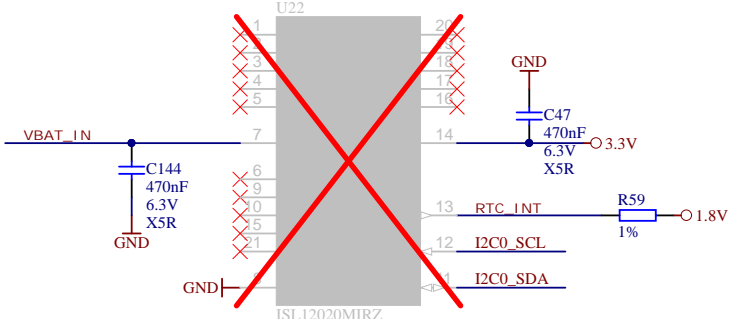
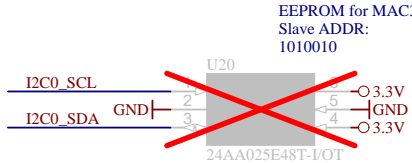
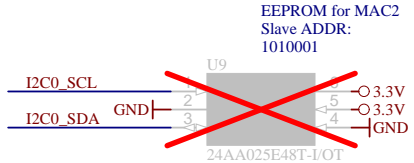
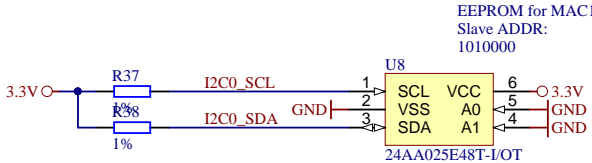
4


1

2

3

4



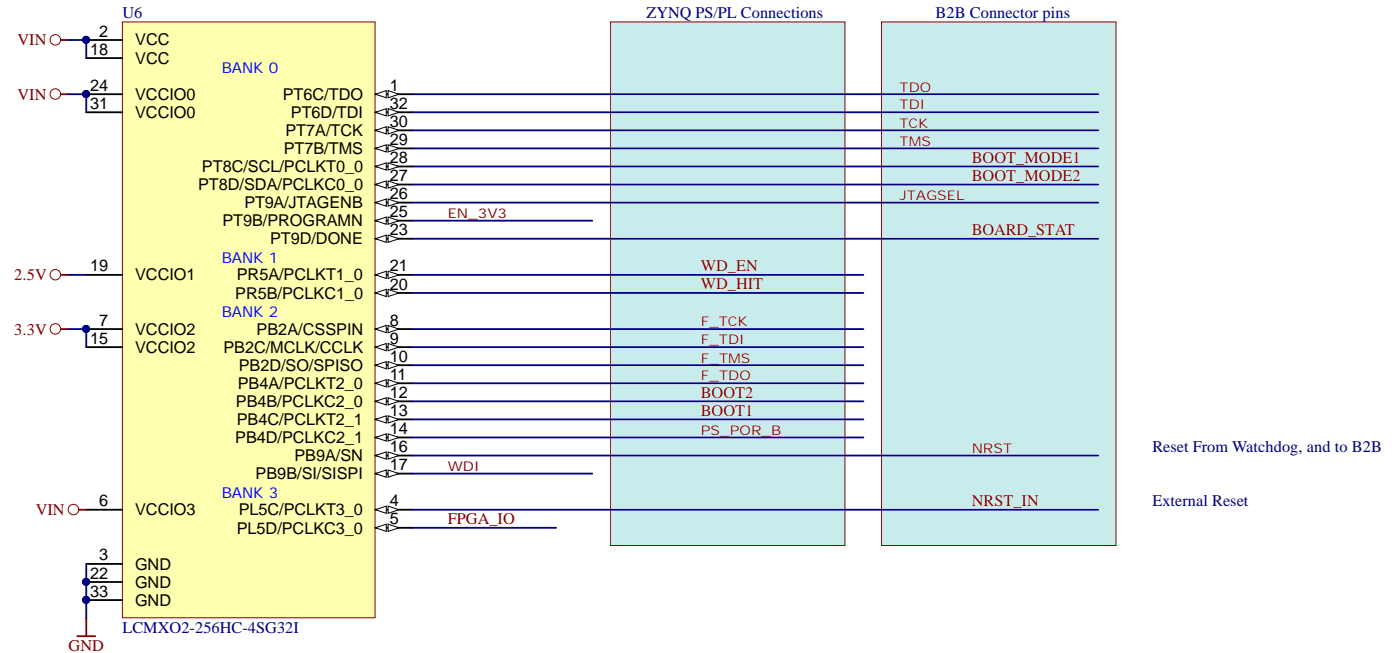
		Title: TE0729 - RTC	
		A4	Number: TE0729 2IR
Date: 2014-03-05		Copyright: Trenz Electronic GmbH / TT	Page 17 of 20
Filename:		SENSOR-RTC.SchDoc	

1

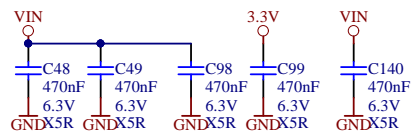
2

3

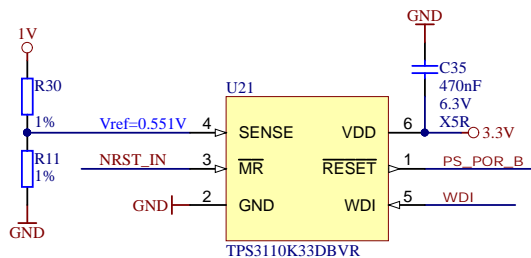
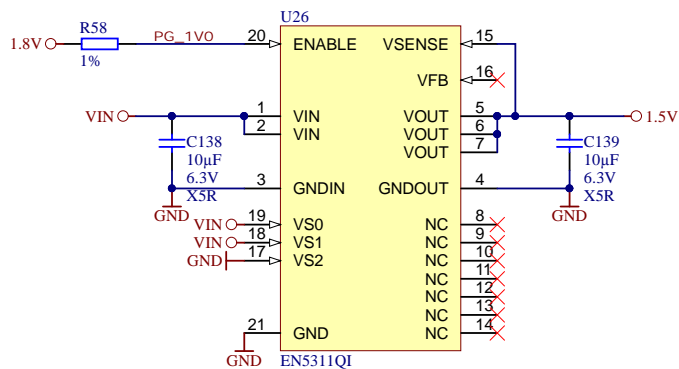
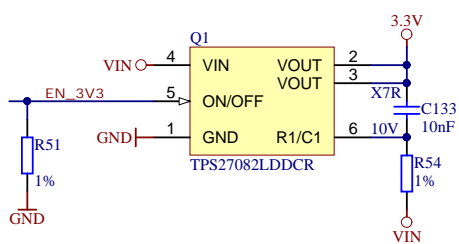
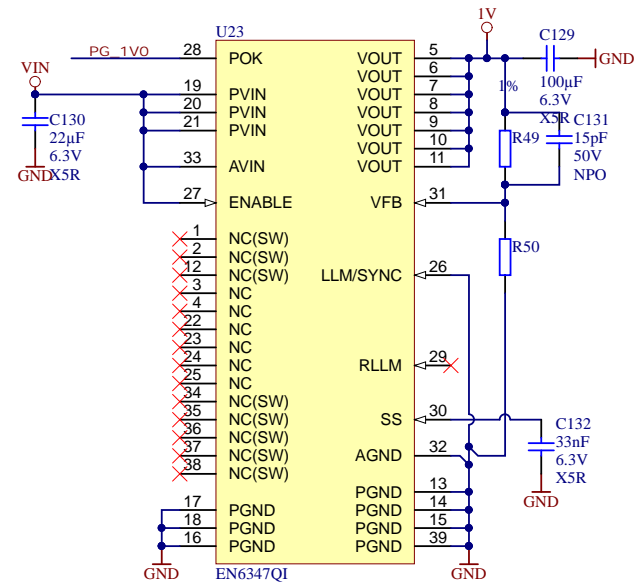
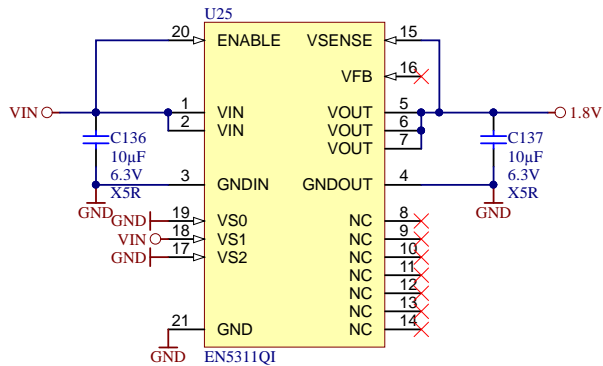
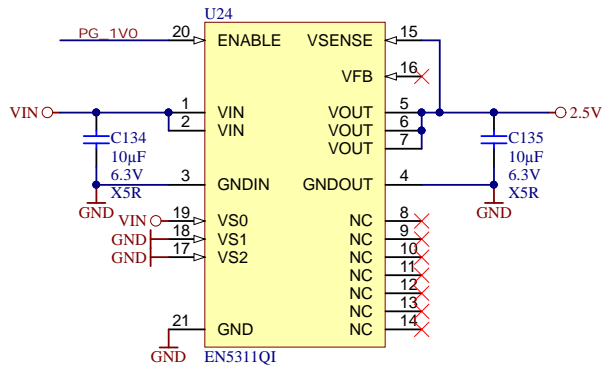
4



Reset From Watchdog, and to B2B
External Reset



	Title: TE0729 - CPLD	
	A4	Number: TE0729 2IR
	Date: 2016-05-02	Copyright: Trenz Electronic GmbH / TT
	Rev. 02	Page 18 of 20
Filename: CPLD.SchDoc		



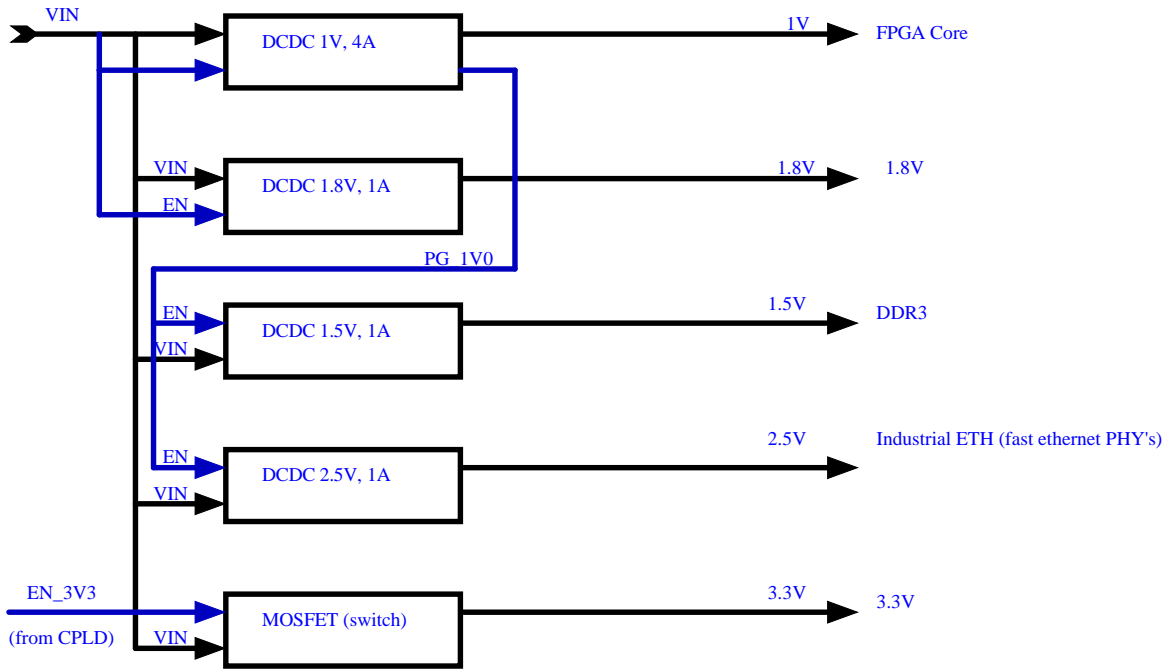
Title: TE0729 - Power		
A4	Number: TE0729 2IR	Rev. 02
Date: 2016-05-02	Copyright: Trenz Electronic GmbH / TT	Page19 of 20
Filename: Power.SchDoc		


1

2

3

4



		Title: TE0729 - Power overview	
		A4	Number: TE0729 2IR
Date: 2016-05-02		Copyright: Trenz Electronic GmbH	
Filename: PowerOverview.SchDoc		Page 20 of 20	