

1

2

3

4

U_DDR-RAM
DDR-RAM.SchDoc



U_B13
B13.SchDoc



U_B34
B34.SchDoc



U_B35
B35.SchDoc



U_MIO_B500
MIO_B500.SchDoc



U_MIO_B501
MIO_B501.SchDoc



U_Interface
Interface.SchDoc



U_Power
Power.SchDoc



U_PS-DRR
PS-DRR.SchDoc



U_PowerOverview
PowerOverview.SchDoc



U_ETH-PHY
ETH-PHY.SchDoc



U_ZYNC_POWER
ZYNC_POWER.SchDoc



U_ZYNQ_MISC
ZYNQ_MISC.SchDoc



U_B33
B33.SchDoc



U_IND_ETH-PHY
IND_ETH-PHY.SchDoc



U_USB-PHY
USB-PHY.SchDoc



U_eMMC
eMMC.SchDoc



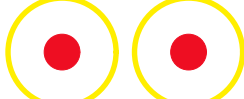
U_SENSOR-RTC
SENSOR-RTC.SchDoc



U_CPLD
CPLD.SchDoc



FIDU-DOT - small FIDU-DOT - small



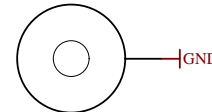
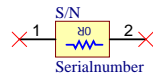
PM1 PM2
FIDU-DOT - small FIDU-DOT - small



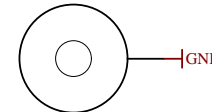
PM3 PM4
FIDU-DOT - small FIDU-DOT - small



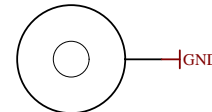
PM5 PM6



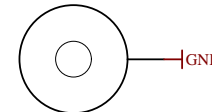
Mount.Hole 3.2mm für Unterlegscheibe



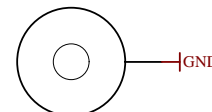
Mount.Hole 3.2mm für Unterlegscheibe



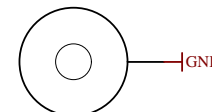
Mount.Hole 3.2mm für Unterlegscheibe



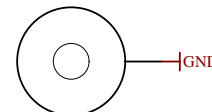
Mount.Hole 3.2mm für Unterlegscheibe



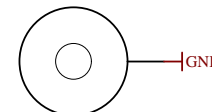
Mount.Hole 3.2mm für Unterlegscheibe



Mount.Hole 3.2mm für Unterlegscheibe



Mount.Hole 3.2mm für Unterlegscheibe



Mount.Hole 3.2mm für Unterlegscheibe



Title: TE0729		
A4	Number: TE0729 2IRA	Rev. 02
Date: 2016-05-02	Copyright: Trenz Electronic GmbH / TT	Page1 of 20
Filename: TE0729.SchDoc		

1

2

3

4

A

A

B

B

C

C

D

D

A

A

B

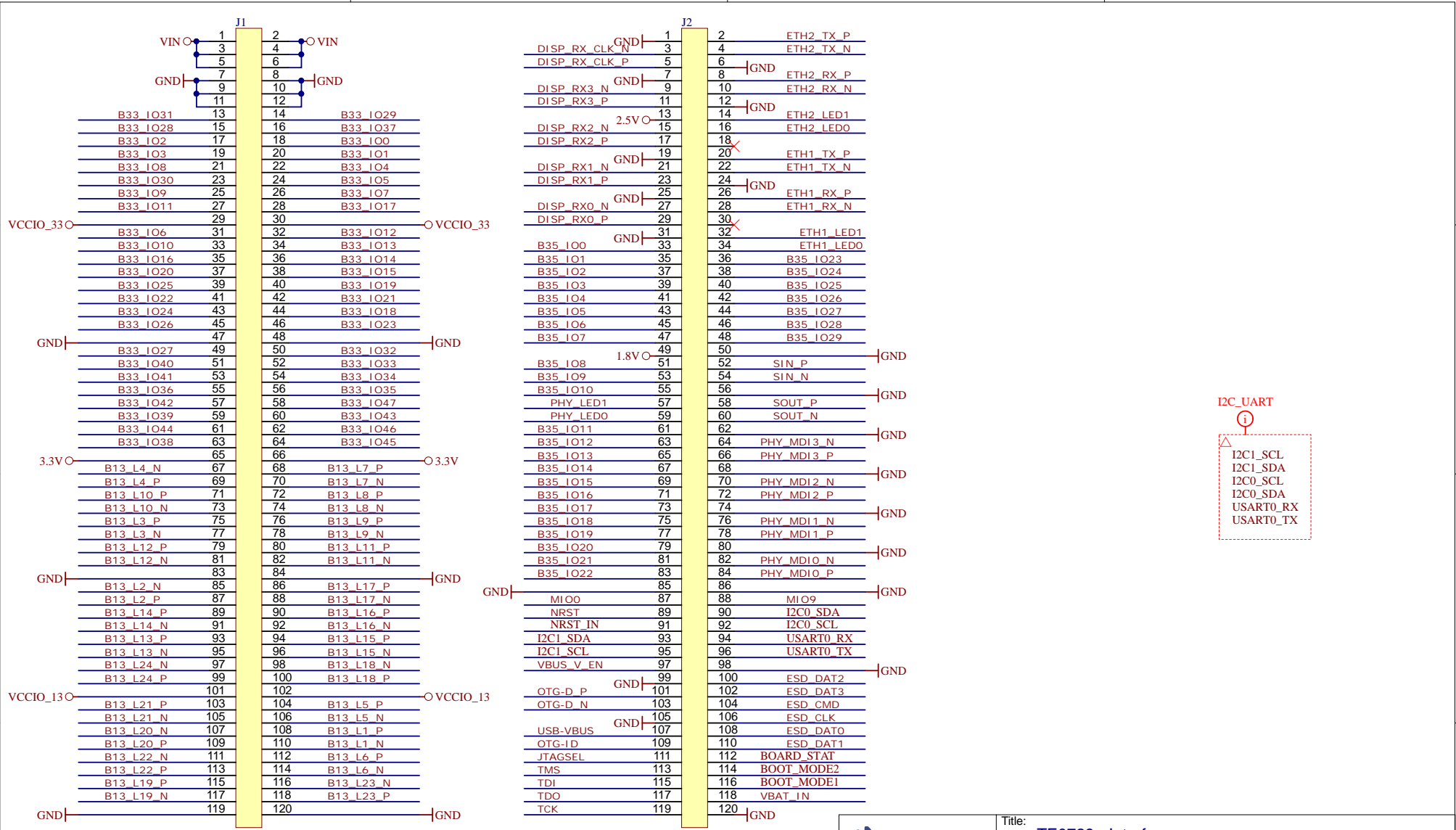
B

C

C

D

D

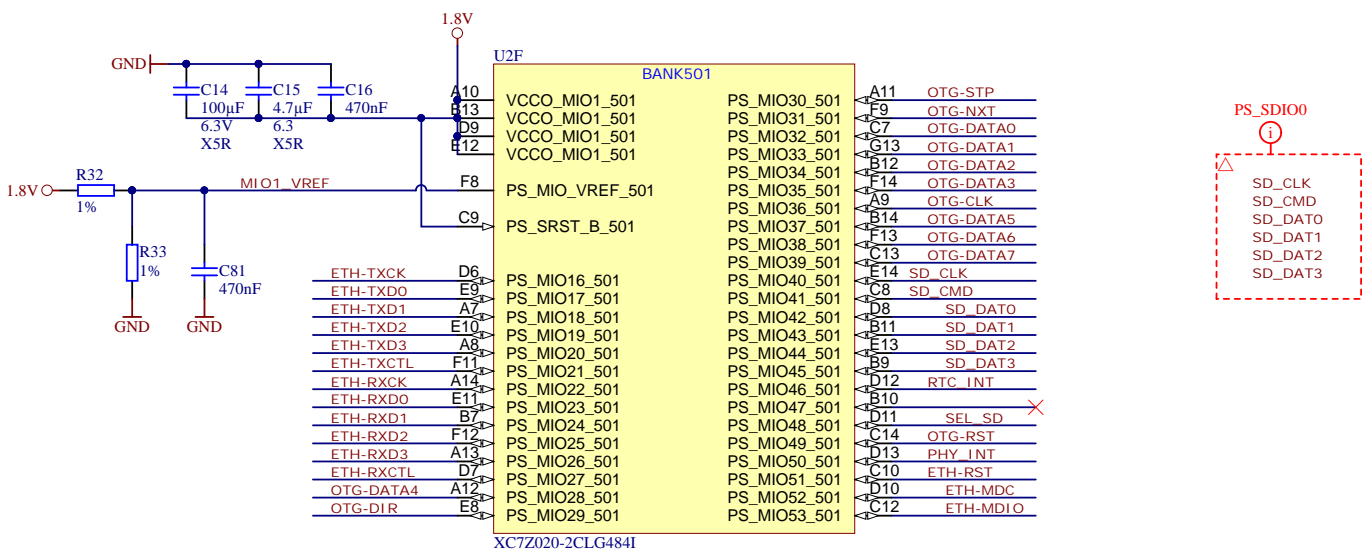


BTE-060-01-L-D-A-K-TR

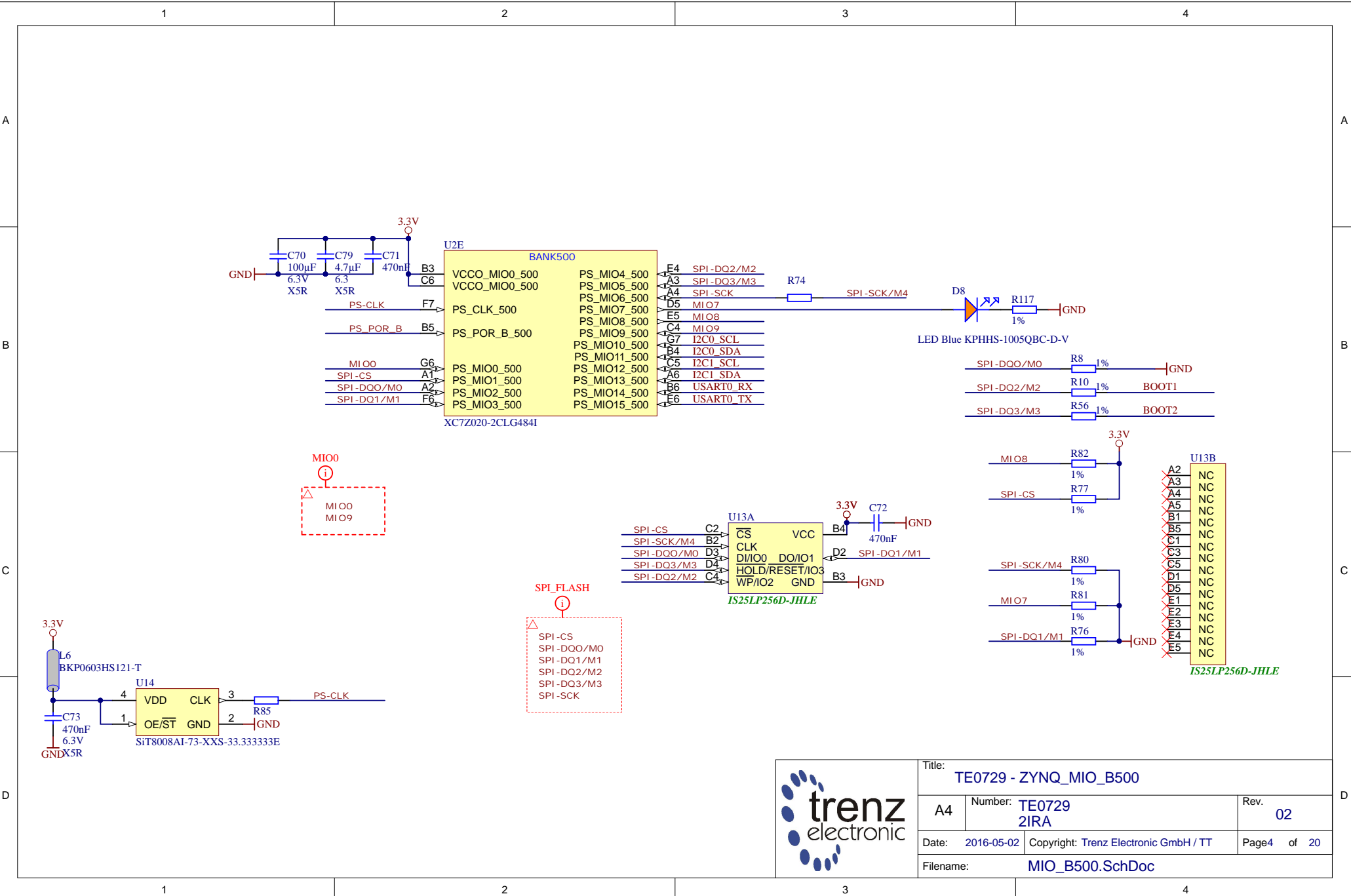
BTE-060-01-L-D-A-K-TR



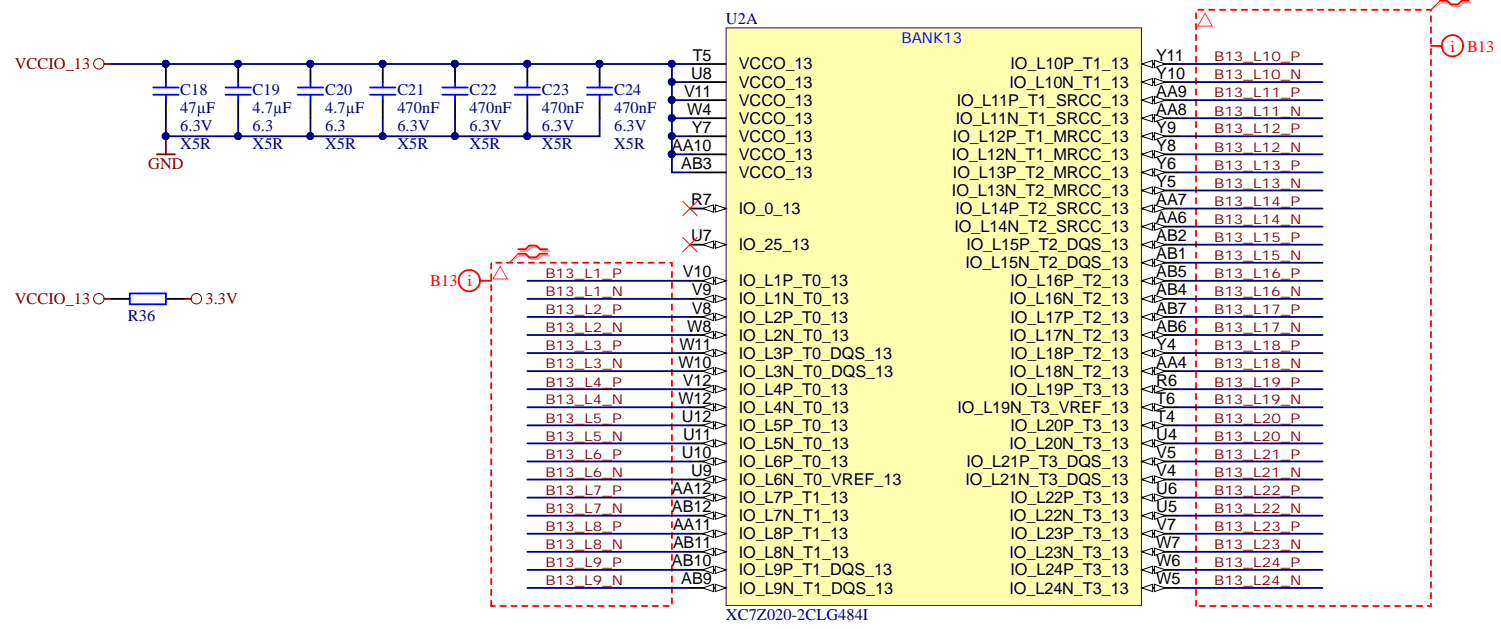
Title: TE0729 - Interface		
A4	Number: TE0729 2IRA	Rev. 02
Date: 2016-05-02	Copyright: Trenz Electronic GmbH / TT	Page2 of 20
Filename: Interface.SchDoc		



	Title: TE0729 - ZYNQ_MIO_B501		
	A4	Number: TE0729 2IRA	Rev. 02
	Date: 2016-05-02	Copyright: Trenz Electronic GmbH / TT	Page3 of 20
	Filename: MIO_B501.SchDoc		

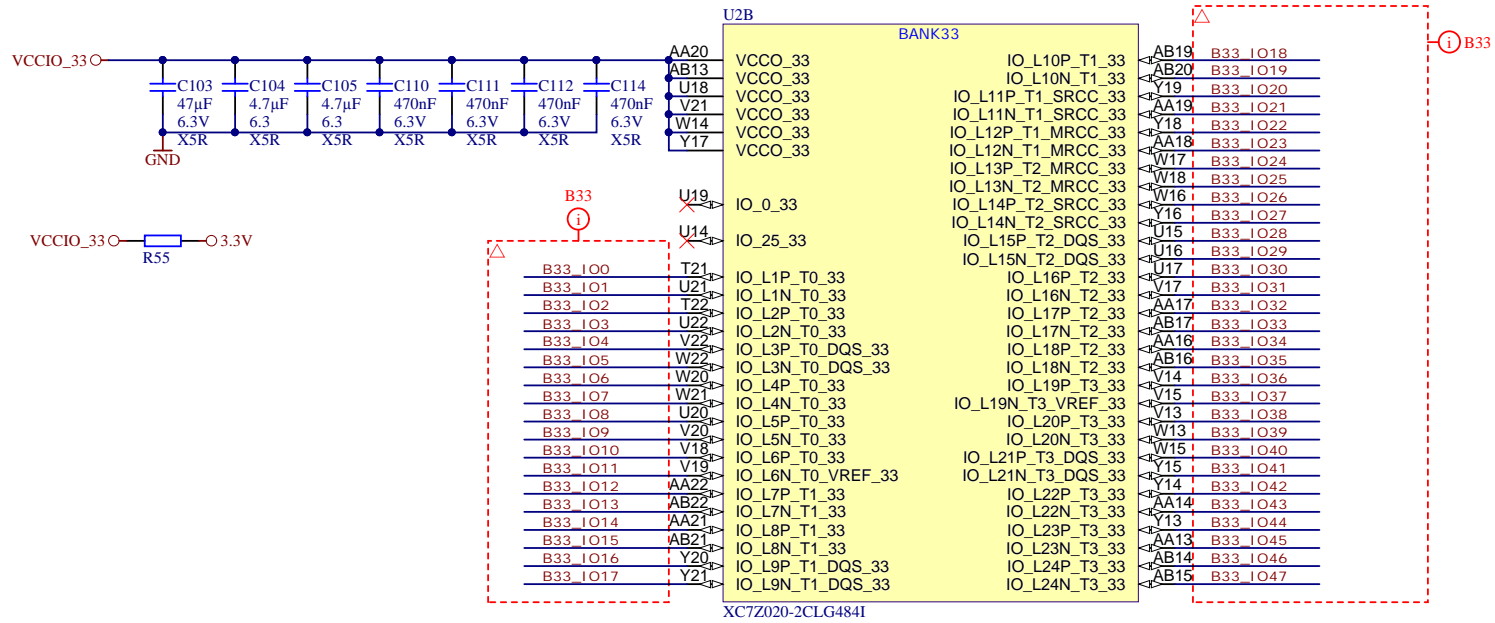



Title: TE0729 - ZYNQ_MIO_B500		
A4	Number: TE0729 2IRA	Rev. 02
Date: 2016-05-02	Copyright: Trenz Electronic GmbH / TT	Page4 of 20
Filename: MIO_B500.SchDoc		

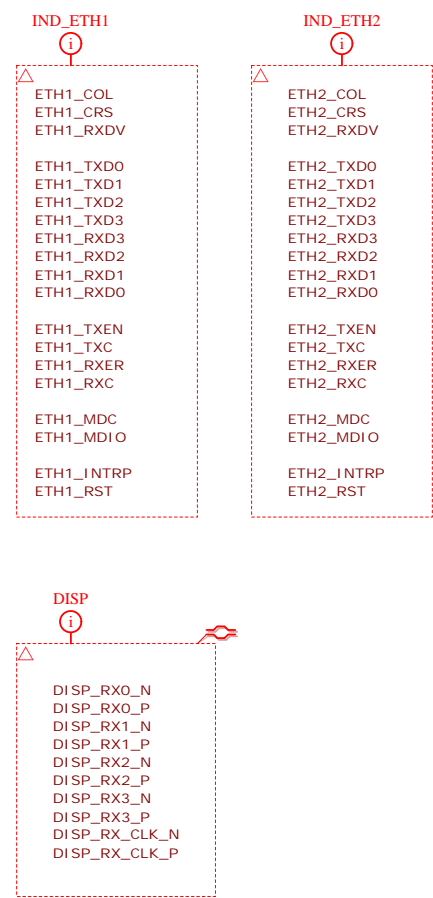
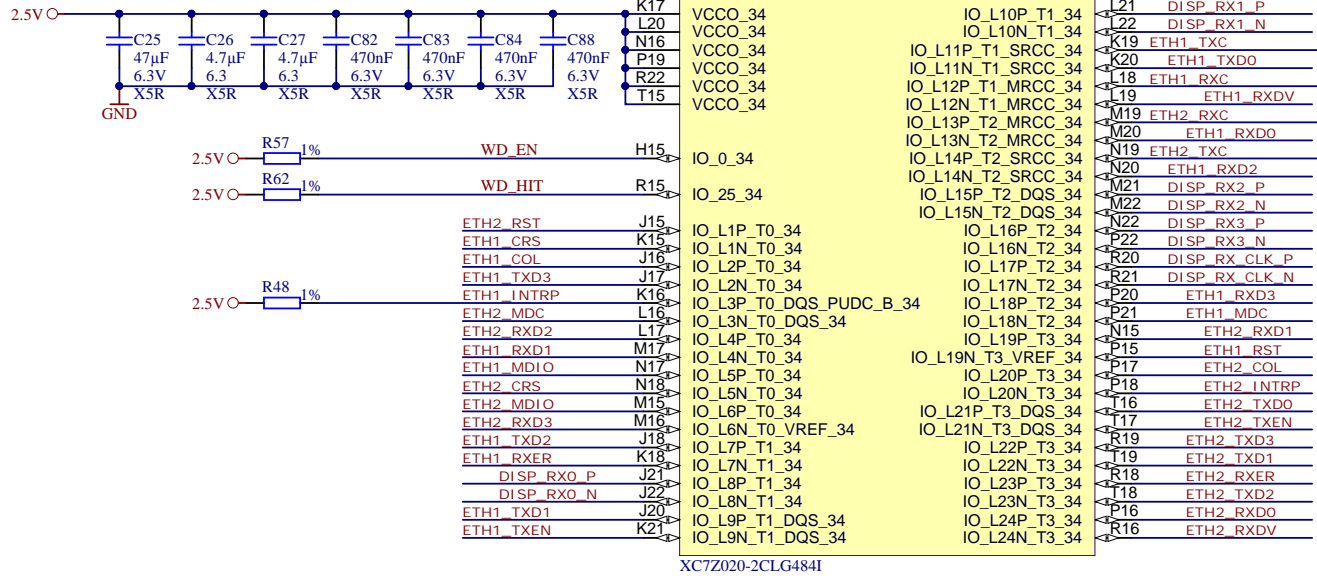


XC7Z020-2CLG484I

	Title: TE0729 - ZYNQ_B13		
	A4	Number: TE0729 2IRA	Rev. 02
	Date: 2016-05-02	Copyright: Trenz Electronic GmbH / TT	Page5 of 20
	Filename: B13.SchDoc		

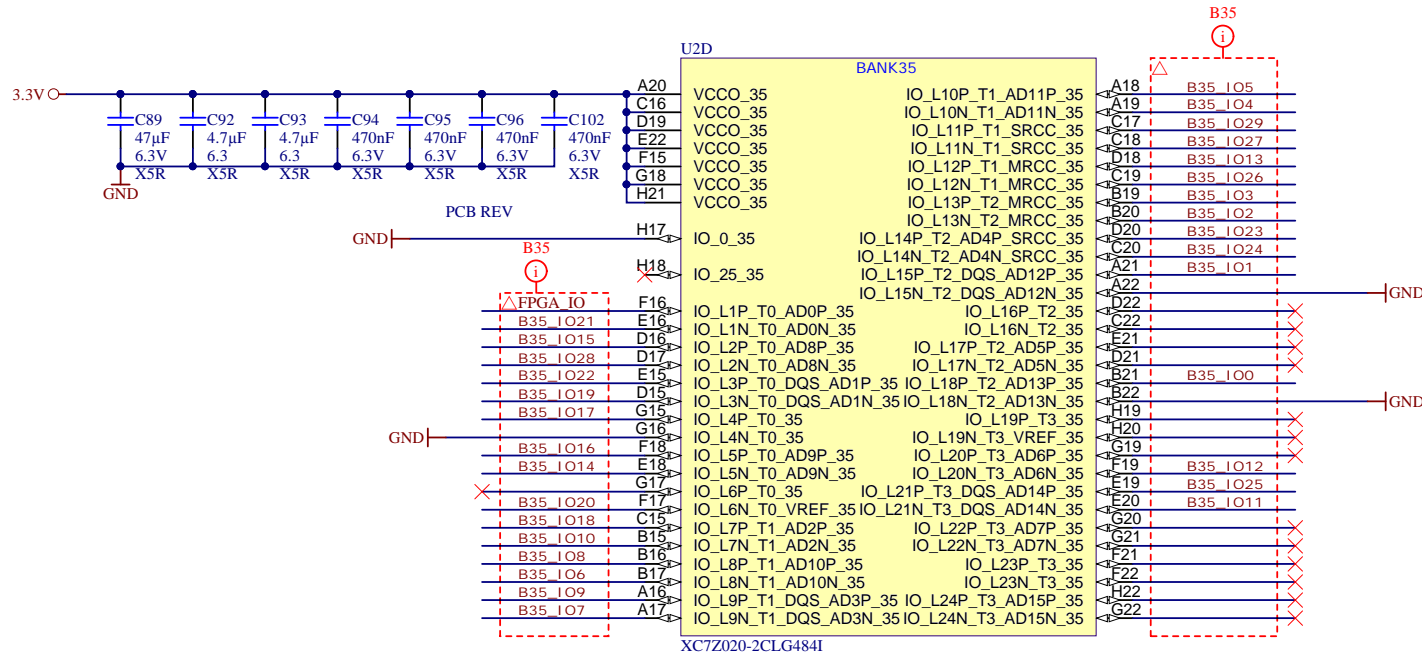


		Title: TE0729 - ZYNQ_B33	
		A4	Number: TE0729 2IRA
Date: 2016-05-02		Copyright: Trenz Electronic GmbH / TT	
Filename: B33.SchDoc		Page6 of 20	

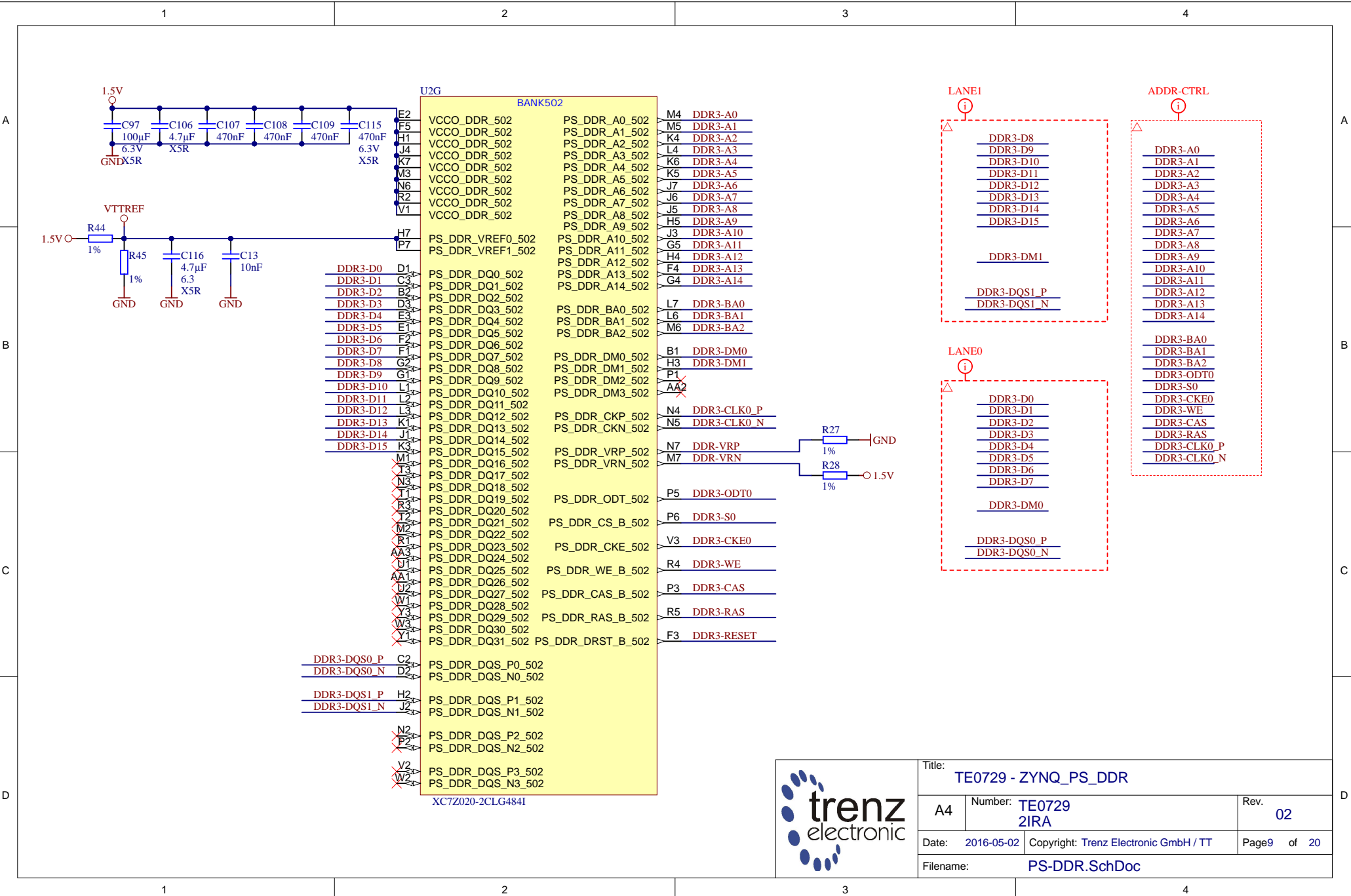


trenz electronic

Title: TE0729 - ZYNQ_B34		
A4	Number: TE0729 2IRA	Rev. 02
Date: 2016-05-02	Copyright: Trenz Electronic GmbH / TT	Page 7 of 20
Filename: B34.SchDoc		



	Title: TE0729 - ZYNQ_B35		
	A4	Number: TE0729 2IRA	Rev. 02
	Date: 2016-05-02	Copyright: Trenz Electronic GmbH / TT	Page8 of 20
	Filename: B35.SchDoc		



Title: TE0729 - ZYNQ_PS_DDR		
A4	Number: TE0729 2IRA	Rev. 02
Date: 2016-05-02	Copyright: Trenz Electronic GmbH / TT	Page9 of 20
Filename: PS-DDR.SchDoc		

A
B
C
D

A
B
C
D

1 2 3 4

1 2 3 4

1

2

3

4

A

A

B

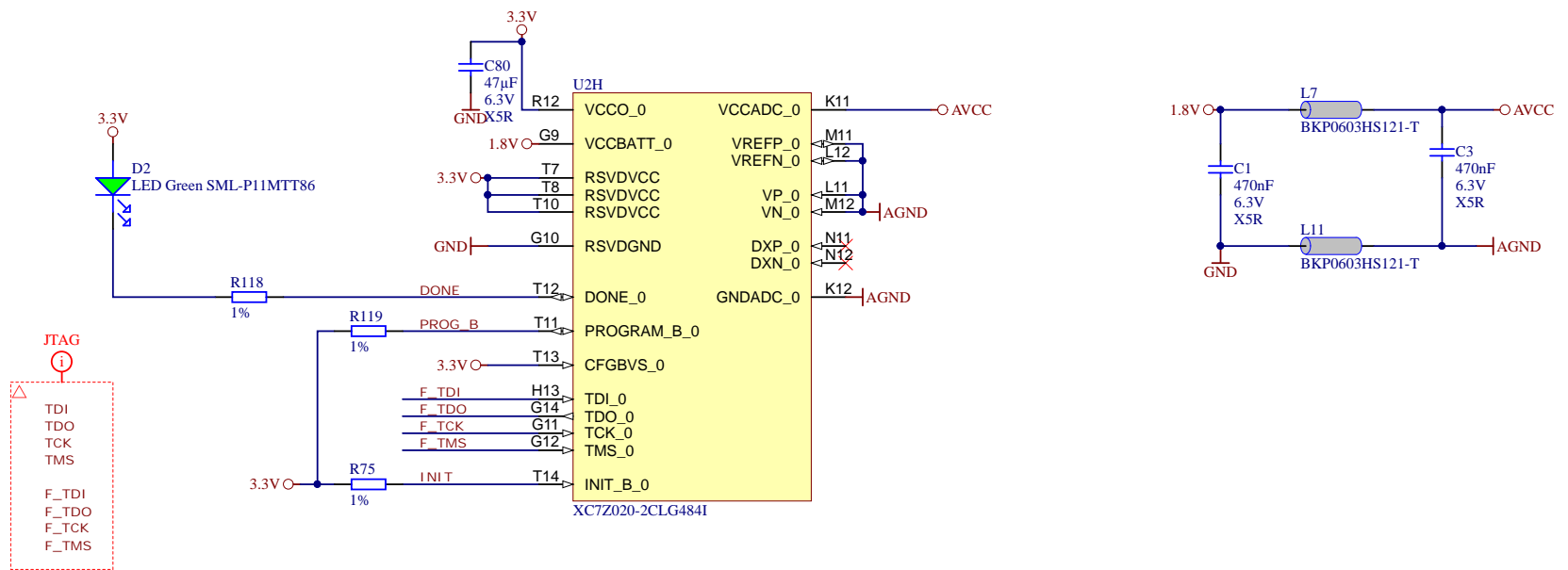
B

C

C

D

D



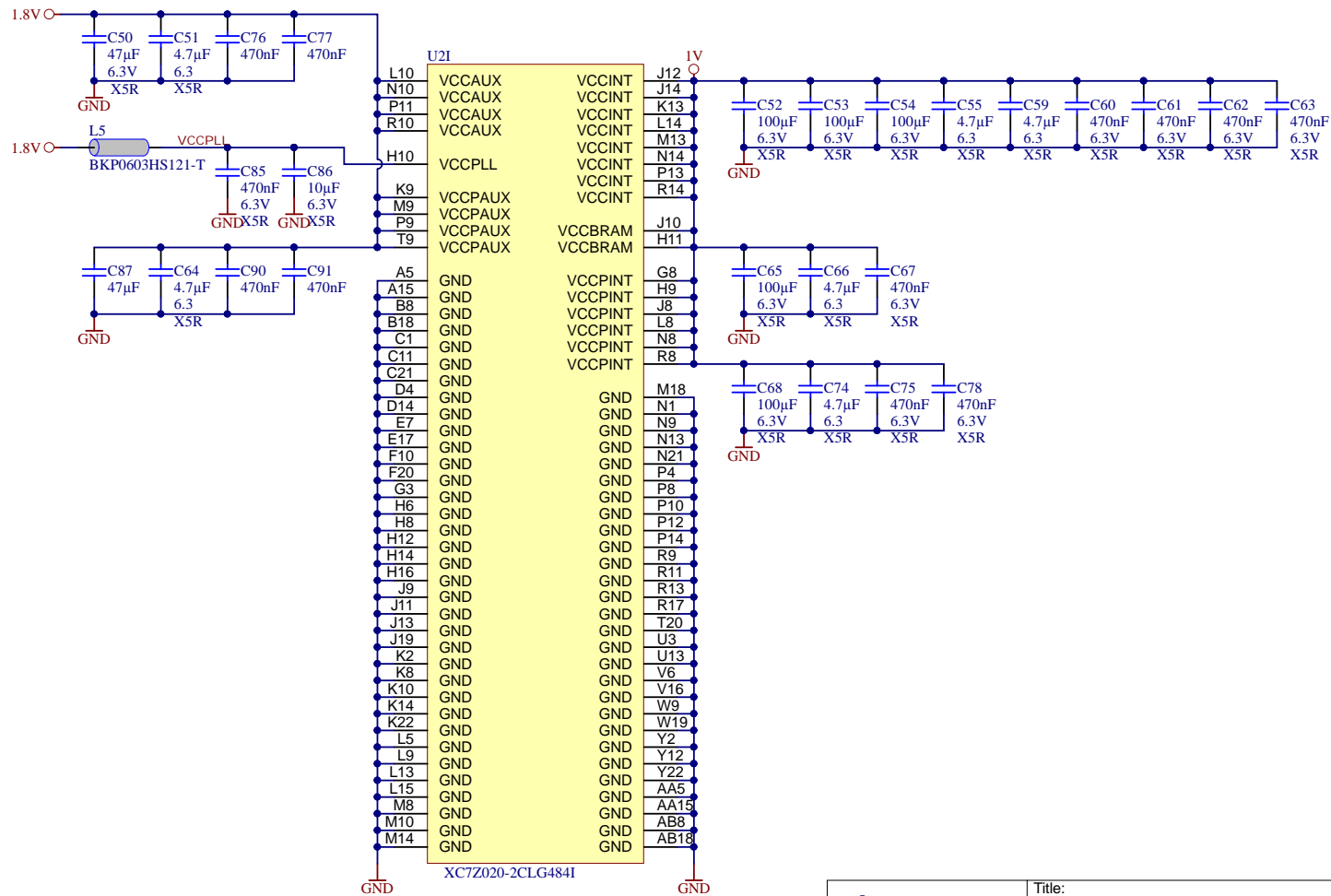
	Title: TE0729 - ZYNQ_MISC		
	A4	Number: TE0729 2IRA	Rev. 02
	Date: 2016-05-02	Copyright: Trenz Electronic GmbH / TT	Page10 of 20
	Filename: ZYNQ_MISC.SchDoc		

1

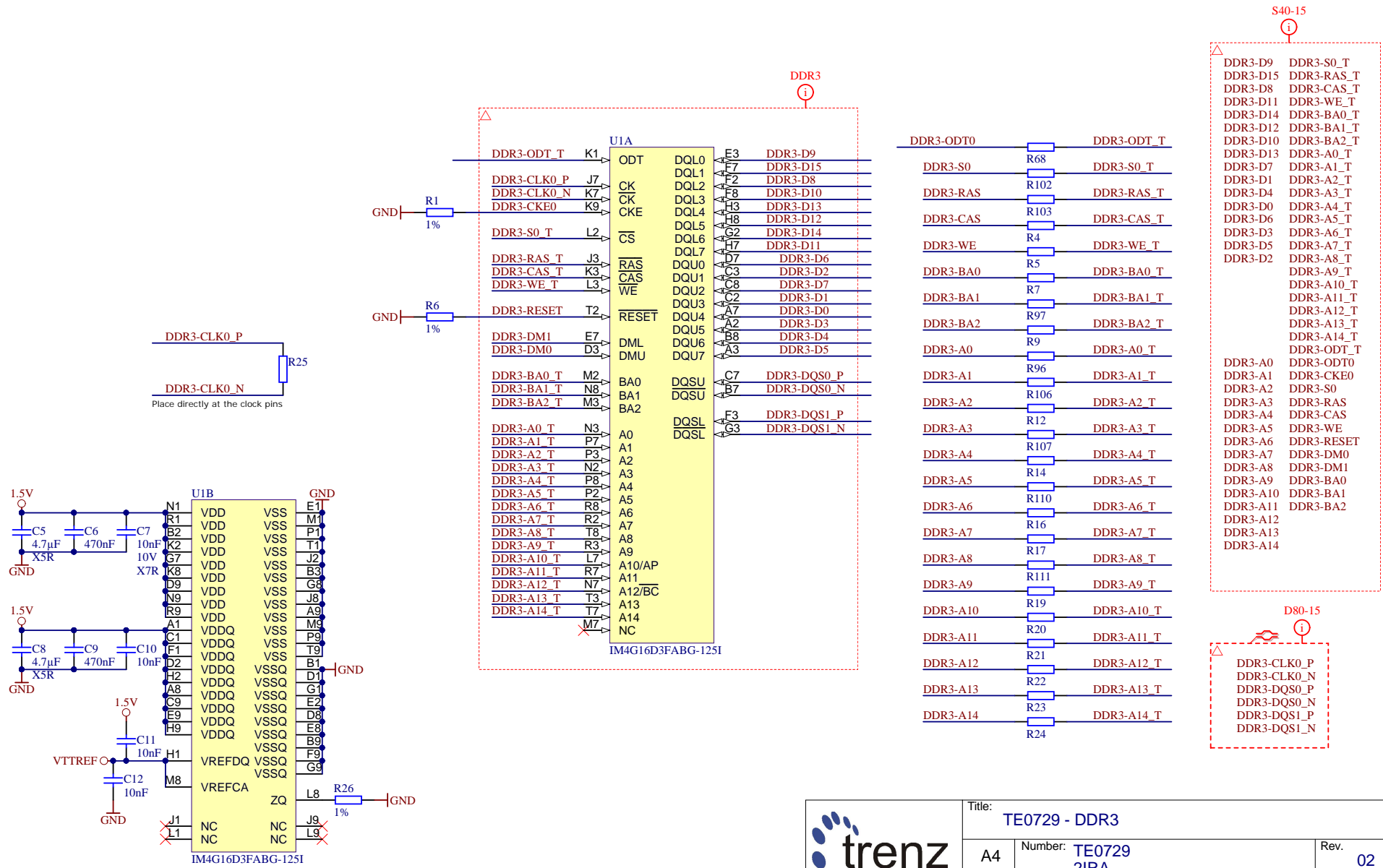
2

3

4



	Title: TE0729 - ZYNQ_Power		
	A4	Number: TE0729 2IRA	Rev. 02
	Date: 2016-05-02	Copyright: Trenz Electronic GmbH / TT	Page 11 of 20
	Filename: ZYNC_POWER.SchDoc		



S40-15

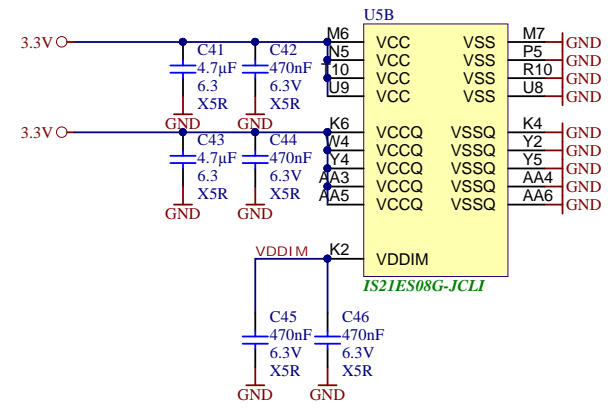
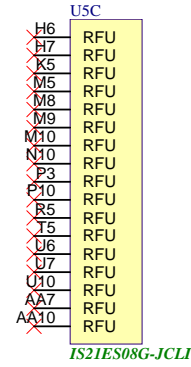
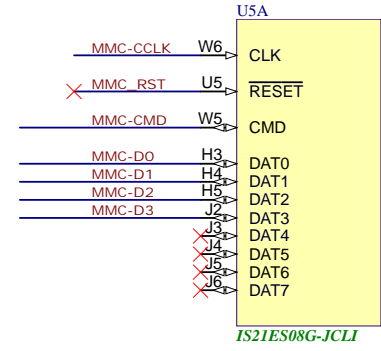
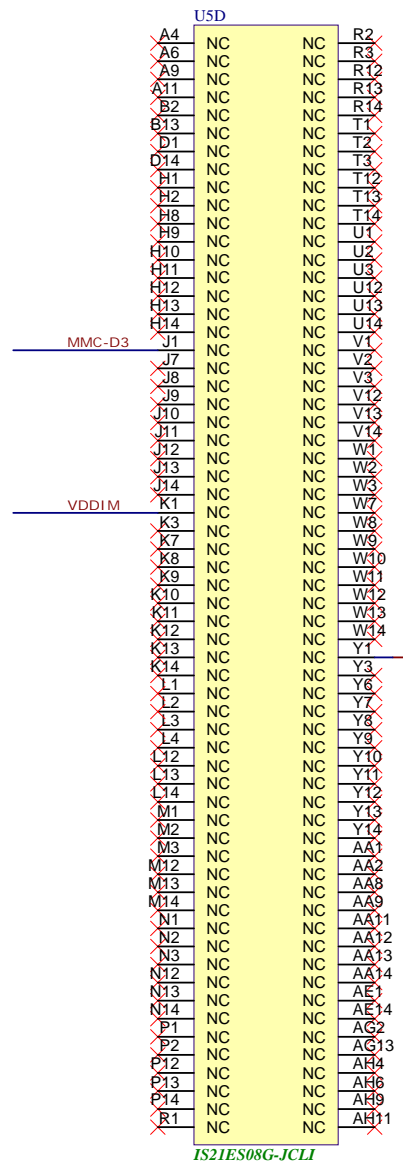
DDR3-D9	DDR3-S0_T
DDR3-D15	DDR3-RAS_T
DDR3-D8	DDR3-CAS_T
DDR3-D11	DDR3-WE_T
DDR3-D14	DDR3-BA0_T
DDR3-D12	DDR3-BA1_T
DDR3-D10	DDR3-BA2_T
DDR3-D13	DDR3-A0_T
DDR3-D7	DDR3-A1_T
DDR3-D1	DDR3-A2_T
DDR3-D4	DDR3-A3_T
DDR3-D0	DDR3-A4_T
DDR3-D6	DDR3-A5_T
DDR3-D3	DDR3-A6_T
DDR3-D5	DDR3-A7_T
DDR3-D2	DDR3-A8_T
	DDR3-A9_T
	DDR3-A10_T
	DDR3-A11_T
	DDR3-A12_T
	DDR3-A13_T
	DDR3-A14_T
	DDR3-ODT_T
DDR3-A0	DDR3-ODT0
DDR3-A1	DDR3-CKE0
DDR3-A2	DDR3-S0
DDR3-A3	DDR3-RAS
DDR3-A4	DDR3-CAS
DDR3-A5	DDR3-WE
DDR3-A6	DDR3-RESET
DDR3-A7	DDR3-DM0
DDR3-A8	DDR3-DM1
DDR3-A9	DDR3-BA0
DDR3-A10	DDR3-BA1
DDR3-A11	DDR3-BA2
DDR3-A12	
DDR3-A13	
DDR3-A14	


D80-15

DDR3-CLK0_P
DDR3-CLK0_N
DDR3-DQS0_P
DDR3-DQS0_N
DDR3-DQS1_P
DDR3-DQS1_N

trenz electronic

Title: TE0729 - DDR3		
A4	Number: TE0729 2IRA	Rev. 02
Date: 2016-05-02	Copyright: Trenz Electronic GmbH / TT	Page 12 of 20
Filename: DDR-RAM.SchDoc		



		Title: TE0729 - eMMC	
		A4	Number: TE0729 2IRA
Date: 2016-05-02		Copyright: Trenz Electronic GmbH / TT	
Filename: eMMC.SchDoc		Page13 of 20	

A

B

C

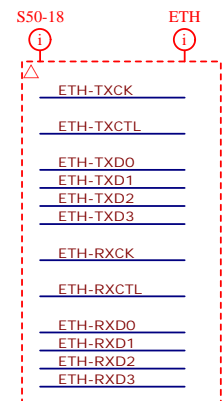
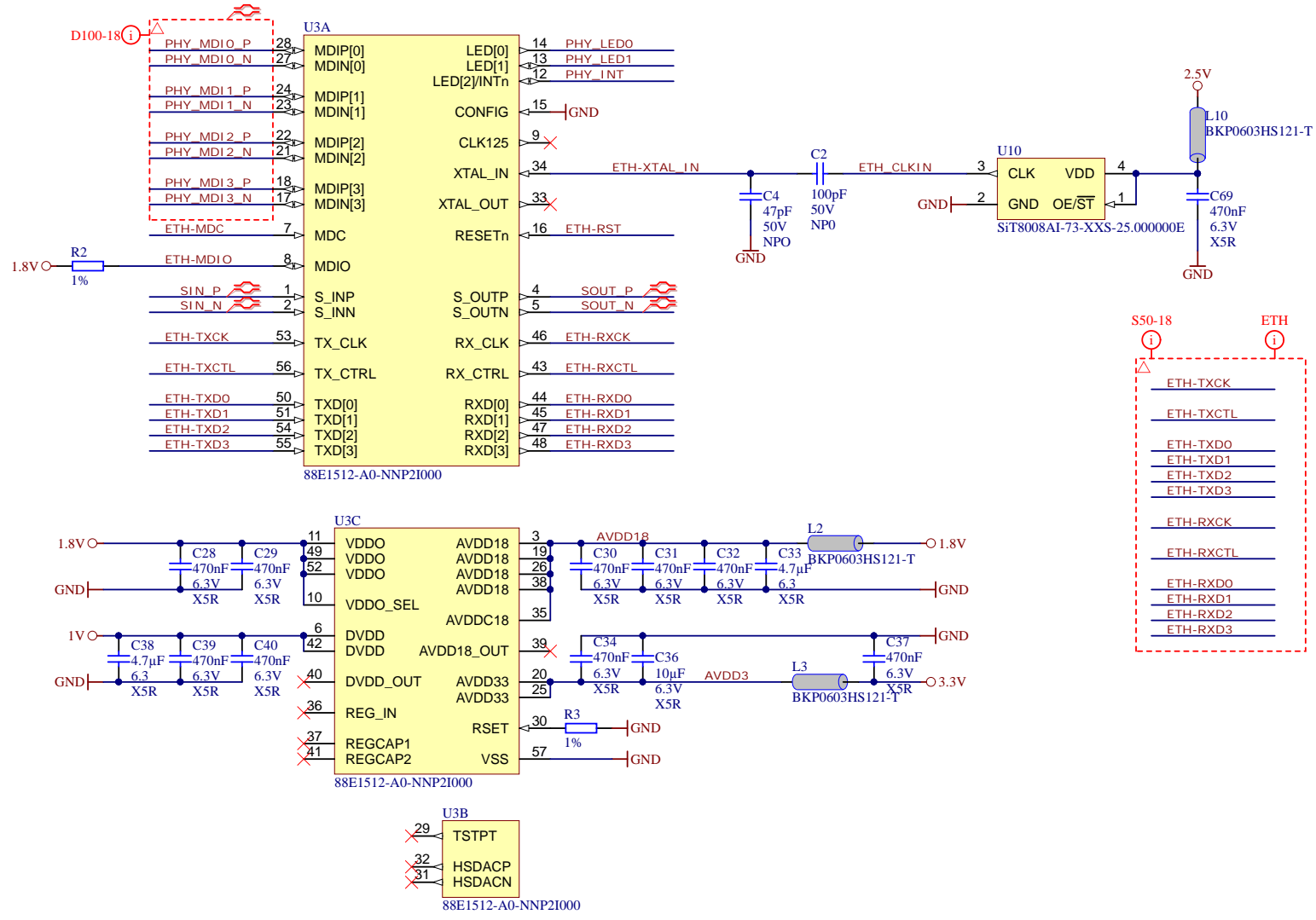
D

A

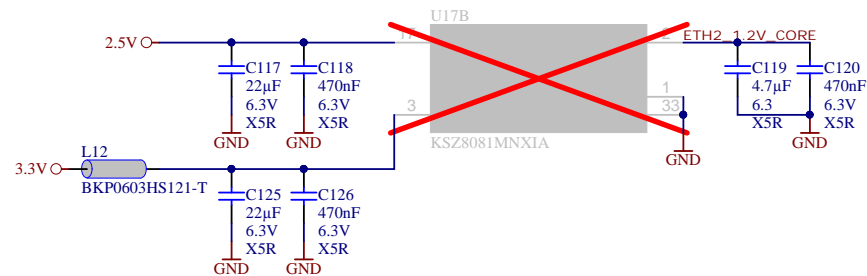
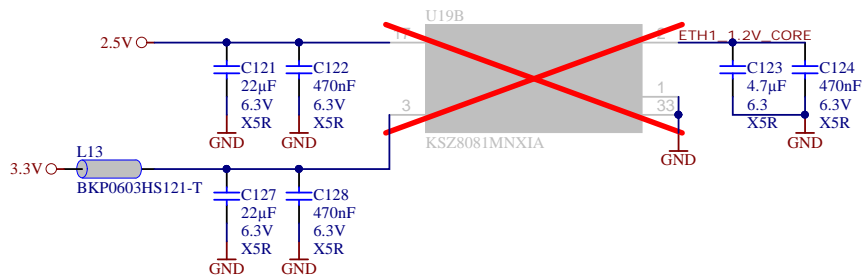
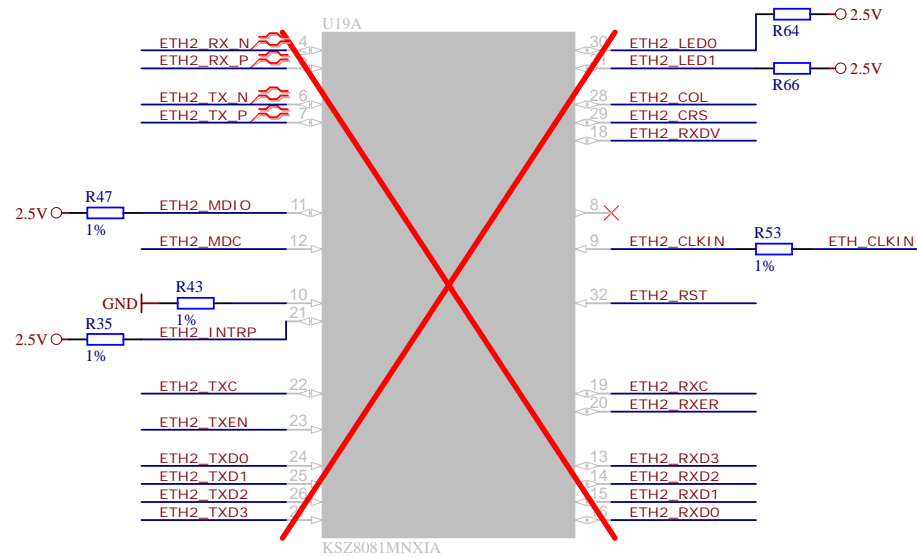
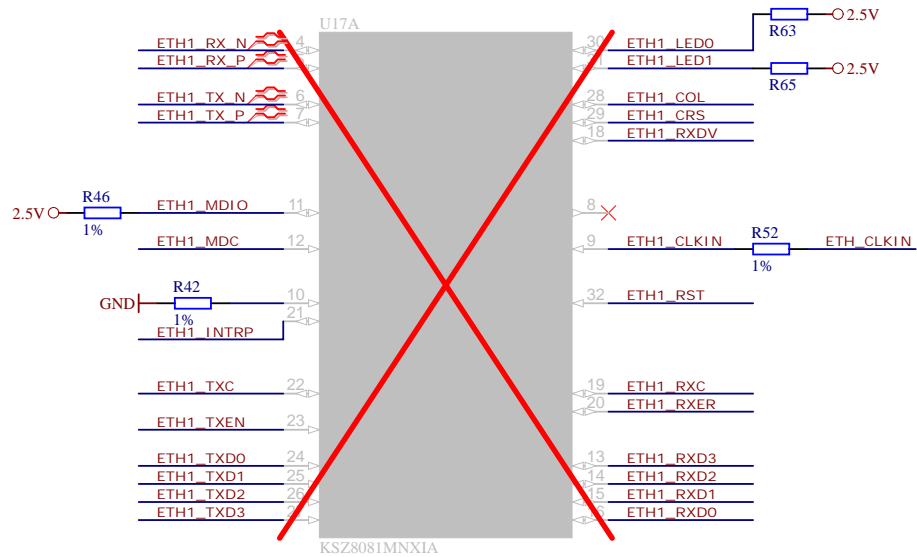
B

C

D



Title: TE0729 - ETH_PHY		
A4	Number: TE0729 2IRA	Rev. 02
Date: 2016-05-02	Copyright: Trenz Electronic GmbH / TT	Page 14 of 20
Filename: ETH-PHY.SchDoc		



Title: TE0729 - IND_ETH_PHY		
A4	Number: TE0729 2IRA	Rev. 02
Date: 2016-05-02	Copyright: Trenz Electronic GmbH / TT	Page 15 of 20
Filename: IND_ETH-PHY.SchDoc		

1

2

3

4

A

A

B

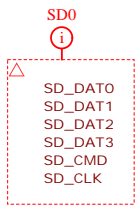
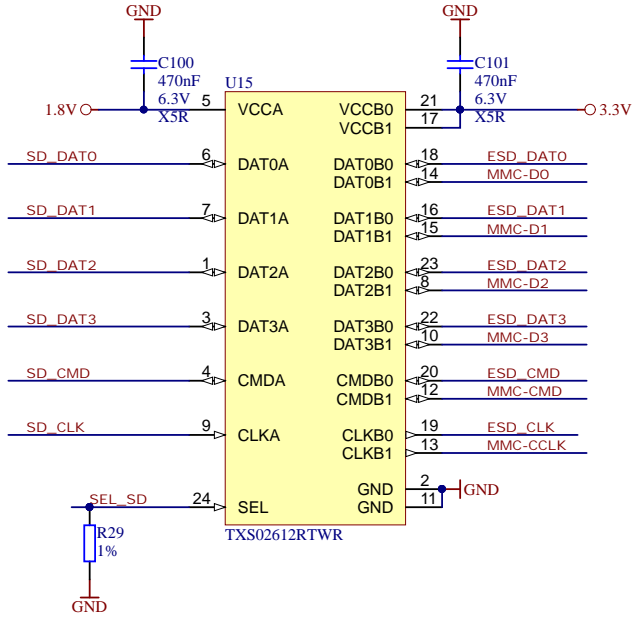
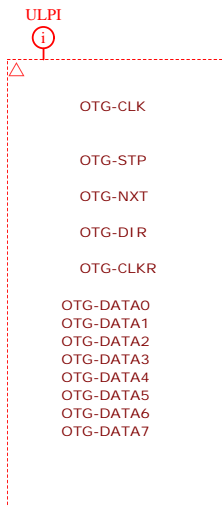
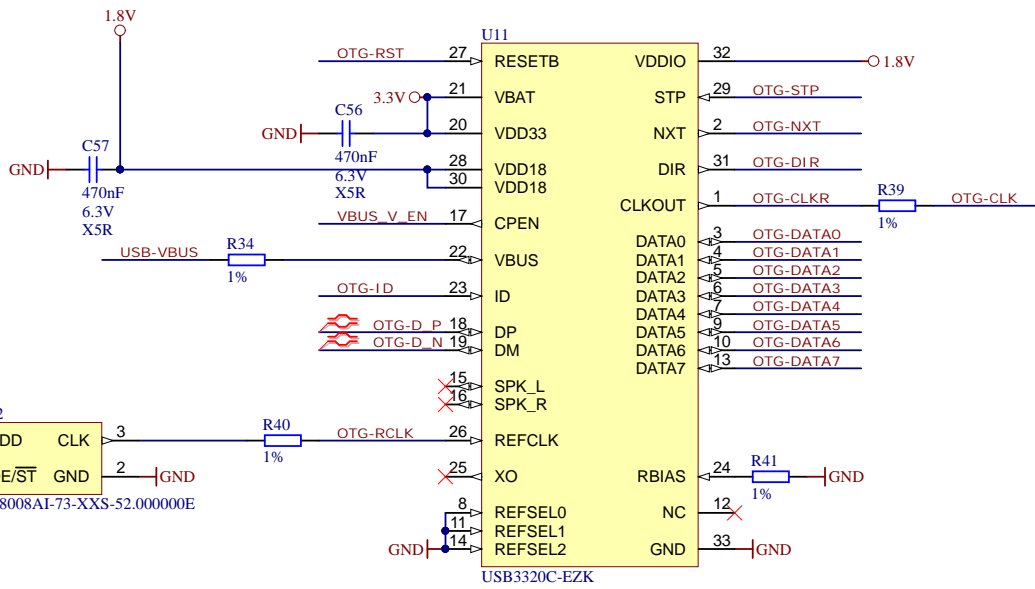
B

C

C

D

D



Title: TE0729 - USB_PHY		
A4	Number: TE0729 2IRA	Rev. 02
Date: 2014-03-05	Copyright: Trenz Electronic GmbH / TT	Page 16 of 20
Filename: USB-PHY.SchDoc		

1

2

3

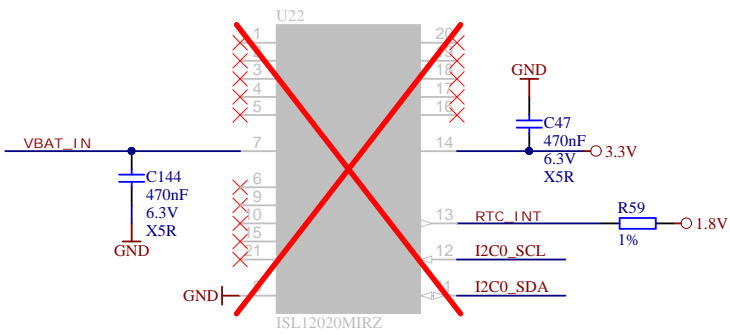
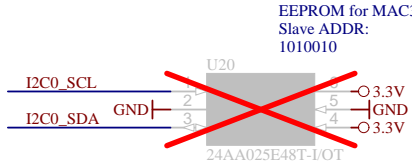
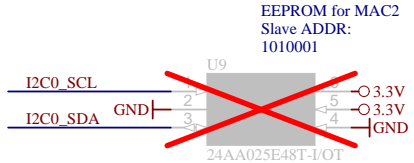
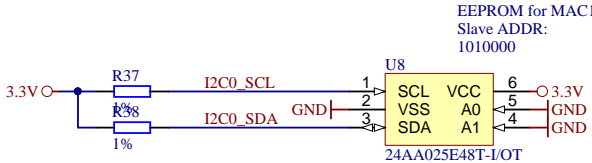
4

1

2

3

4



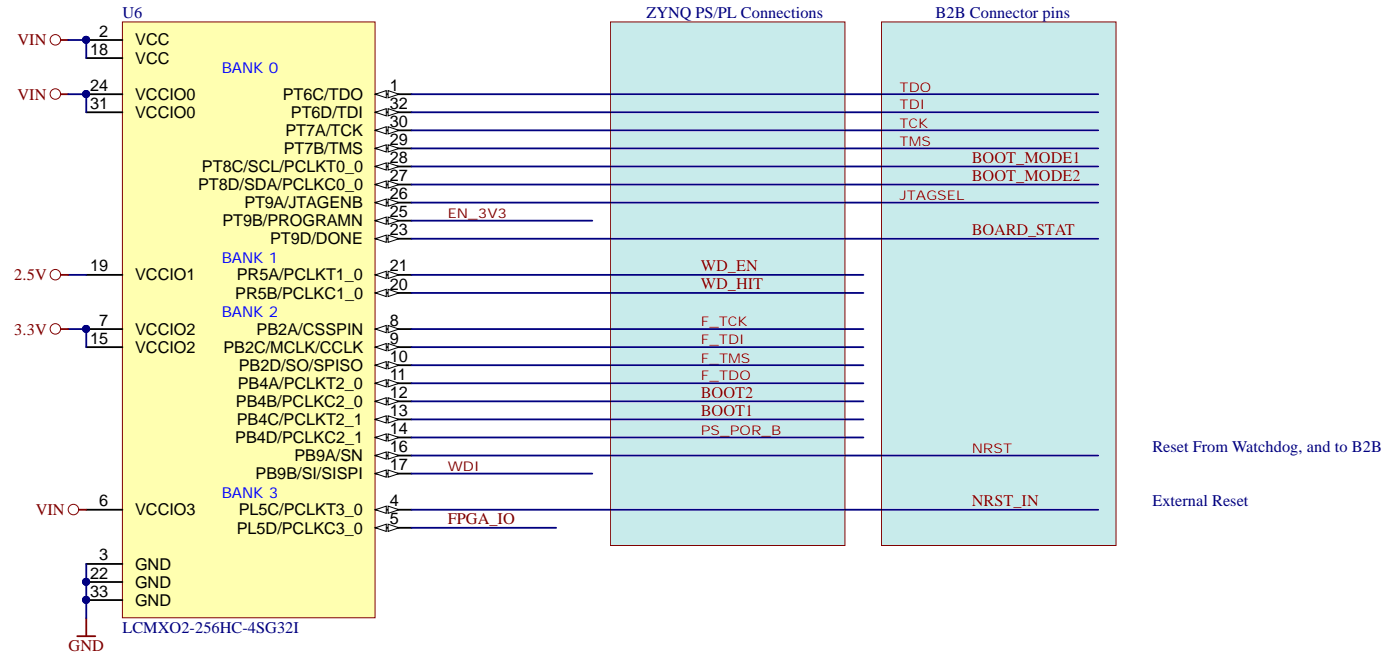
Title: TE0729 - RTC		
A4	Number: TE0729 2IRA	Rev. 02
Date: 2014-03-05	Copyright: Trenz Electronic GmbH / TT	Page 17 of 20
Filename: SENSOR-RTC.SchDoc		

1

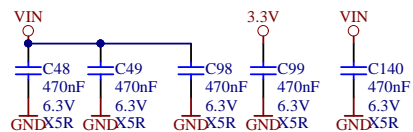
2

3

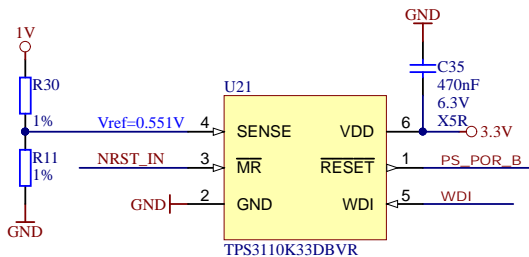
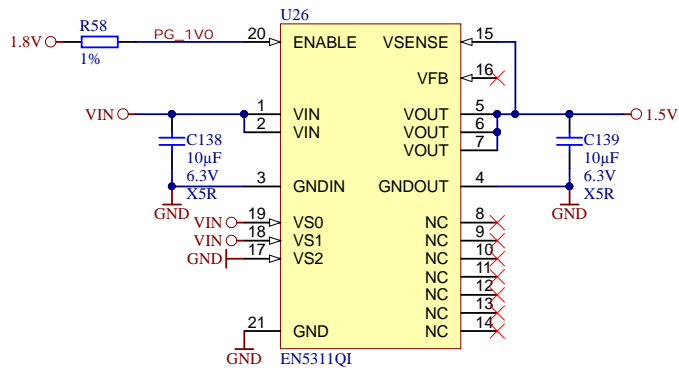
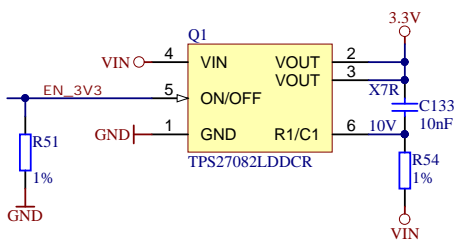
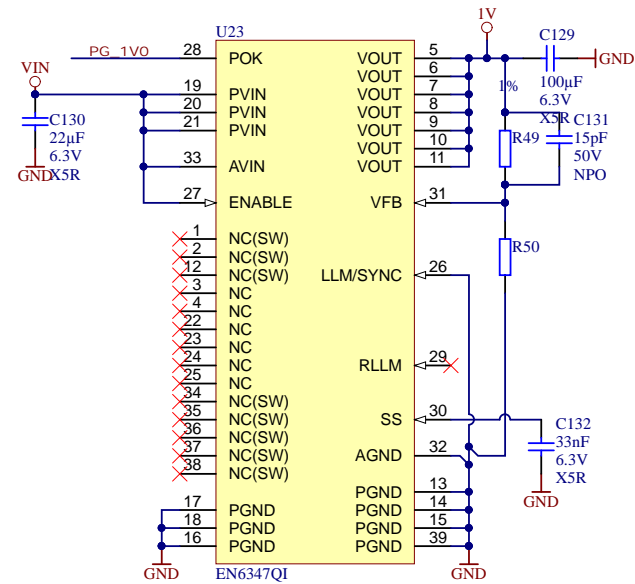
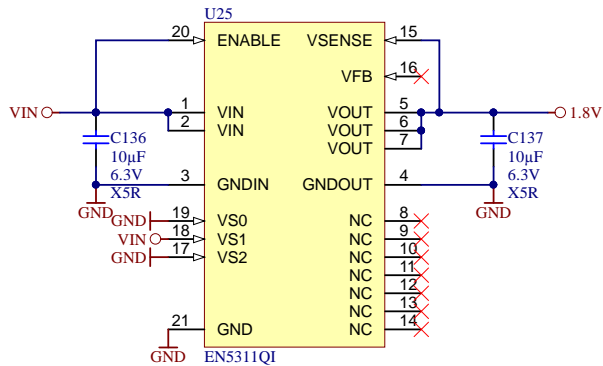
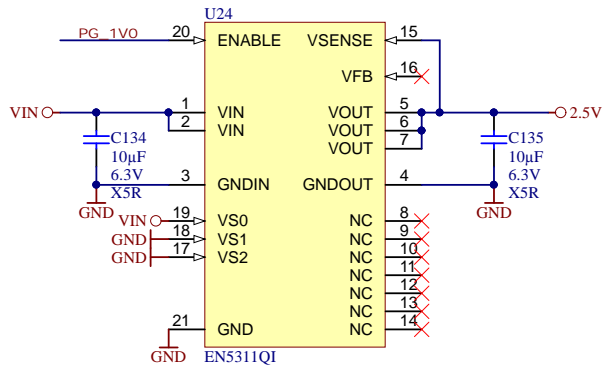
4



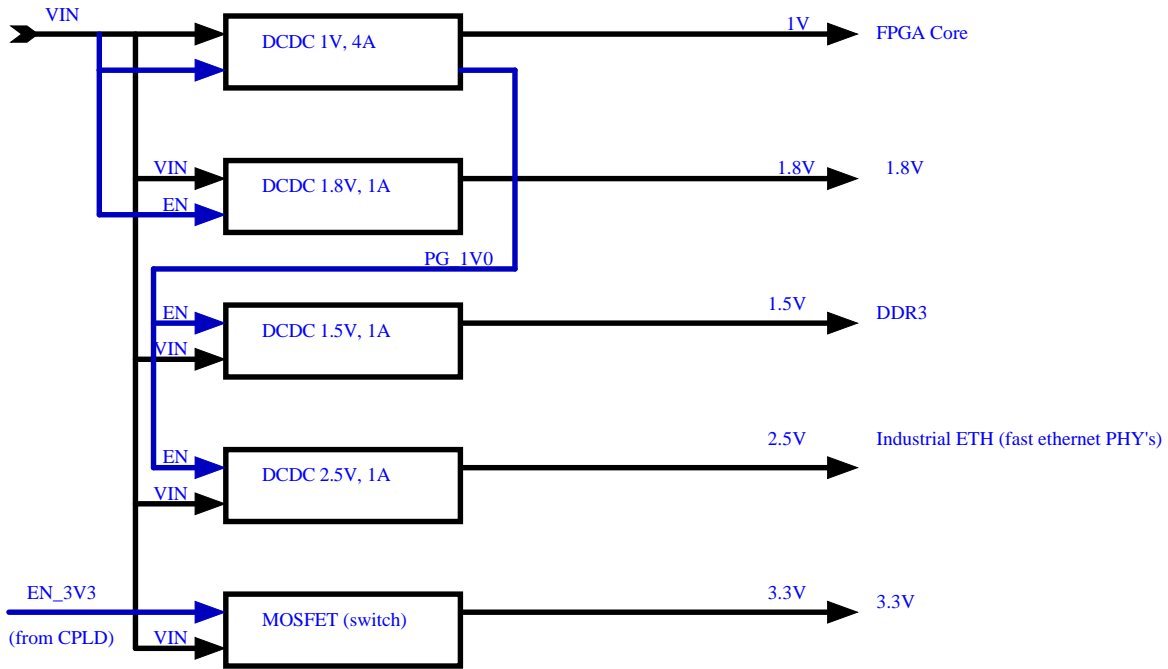
Reset From Watchdog, and to B2B
 External Reset




	Title: TE0729 - CPLD		
	A4	Number: TE0729 2IRA	Rev. 02
	Date: 2016-05-02	Copyright: Trenz Electronic GmbH / TT	Page18 of 20
	Filename: CPLD.SchDoc		



Title: TE0729 - Power		
A4	Number: TE0729 2IRA	Rev. 02
Date: 2016-05-02	Copyright: Trenz Electronic GmbH / TT	Page19 of 20
Filename: Power.SchDoc		



		Title: TE0729 - Power overview	
		A4	Number: TE0729 2IRA
Date: 2016-05-02		Copyright: Trenz Electronic GmbH	
Filename: PowerOverview.SchDoc		Page 20 of 20	