


Regarding the usage of our schematics and alike documentation for Trenz module TE0729.

Project is protected under copyright and we strongly and strictly prohibit the reverse engineering or recreation, even if the design is just adapted or modified. TE0729 is protected under such right and in case of plagiarism we will have to do anything necessary in order to protect our assets.

Schematics and other handouts serve for informational purposes only!

	Title: TE0729 - Legal Notice		
	A4	Number: TE0729 62163FA	Rev. 02
	Date: 2020-08-14	Copyright: Trenz Electronic GmbH / TT	Page 1 of 21
	Filename: Legal Notices Modules.SchDoc		

1

2

3

4

U_DDR-RAM
DDR-RAM.SchDoc



U_B13
B13.SchDoc



U_B34
B34.SchDoc



U_B35
B35.SchDoc



U_MIO_B500
MIO_B500.SchDoc



U_MIO_B501
MIO_B501.SchDoc



U_Interface
Interface.SchDoc



U_Power
Power.SchDoc



U_PS-DRR
PS-DRR.SchDoc



U_PowerOverview
PowerOverview.SchDoc



U_ETH-PHY
ETH-PHY.SchDoc



U_ZYNC_POWER
ZYNC_POWER.SchDoc



U_ZYNQ_MISC
ZYNQ_MISC.SchDoc



U_B33
B33.SchDoc



U_IND_ETH-PHY
IND_ETH-PHY.SchDoc



U_USB-PHY
USB-PHY.SchDoc



U_eMMC
eMMC.SchDoc



U_SENSOR-RTC
SENSOR-RTC.SchDoc



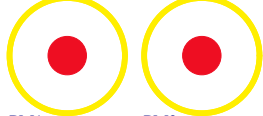
U_CPLD
CPLD.SchDoc



U_LN
Legal Notices Modules.SchDoc



FIDU-DOT - small FIDU-DOT - small



PM1 PM2
FIDU-DOT - small FIDU-DOT - small



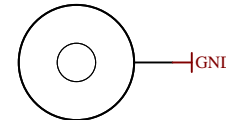
PM3 PM4
FIDU-DOT - small FIDU-DOT - small



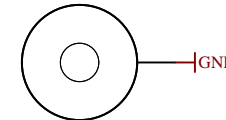
PM5 PM6



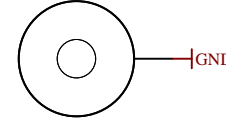
Serial
Serial
Serialnumber 6,3 x 6,3mm



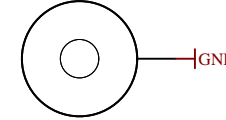
Mount.Hole 3.2mm für Unterlegscheibe



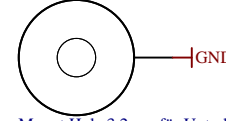
Mount.Hole 3.2mm für Unterlegscheibe



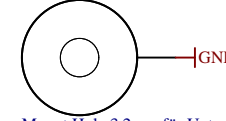
Mount.Hole 3.2mm für Unterlegscheibe



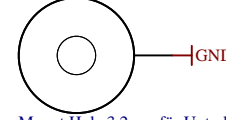
Mount.Hole 3.2mm für Unterlegscheibe



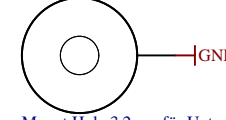
Mount.Hole 3.2mm für Unterlegscheibe



Mount.Hole 3.2mm für Unterlegscheibe



Mount.Hole 3.2mm für Unterlegscheibe



Mount.Hole 3.2mm für Unterlegscheibe



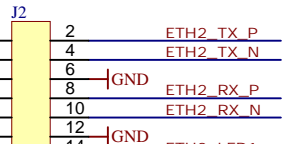
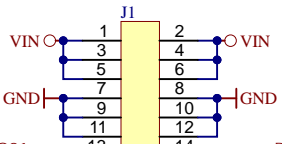
Title: TE0729		
A4	Number: TE0729 62163FA	Rev. 02
Date: 2016-05-02	Copyright: Trenz Electronic GmbH / TT	Page 2 of 21
Filename: TE0729.SchDoc		

1

2

3

4

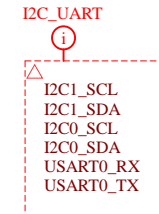


B33_IO31	13	B33_IO29	14
B33_IO28	15	B33_IO37	16
B33_IO2	17	B33_IO0	18
B33_IO3	19	B33_IO1	20
B33_IO8	21	B33_IO4	22
B33_IO30	23	B33_IO5	24
B33_IO9	25	B33_IO7	26
B33_IO11	27	B33_IO17	28
VCCIO_33	29		30
B33_IO6	31	B33_IO12	32
B33_IO10	33	B33_IO13	34
B33_IO16	35	B33_IO14	36
B33_IO20	37	B33_IO15	38
B33_IO25	39	B33_IO19	40
B33_IO22	41	B33_IO21	42
B33_IO24	43	B33_IO18	44
B33_IO26	45	B33_IO23	46
GND	47		48
B33_IO27	49	B33_IO32	50
B33_IO40	51	B33_IO33	52
B33_IO41	53	B33_IO34	54
B33_IO36	55	B33_IO35	56
B33_IO42	57	B33_IO47	58
B33_IO39	59	B33_IO43	60
B33_IO44	61	B33_IO46	62
B33_IO38	63	B33_IO45	64
3.3V	65		66
B13_L4_N	67	B13_L7_P	68
B13_L4_P	69	B13_L7_N	70
B13_L10_P	71	B13_L8_P	72
B13_L10_N	73	B13_L8_N	74
B13_L3_P	75	B13_L9_P	76
B13_L3_N	77	B13_L9_N	78
B13_L12_P	79	B13_L11_P	80
B13_L12_N	81	B13_L11_N	82
GND	83		84
B13_L2_N	85	B13_L17_P	86
B13_L2_P	87	B13_L17_N	88
B13_L14_P	89	B13_L16_P	90
B13_L14_N	91	B13_L16_N	92
B13_L13_P	93	B13_L15_P	94
B13_L13_N	95	B13_L15_N	96
B13_L24_N	97	B13_L18_N	98
B13_L24_P	99	B13_L18_P	100
VCCIO_13	101		102
B13_L21_P	103	B13_L5_P	104
B13_L21_N	105	B13_L5_N	106
B13_L20_N	107	B13_L1_P	108
B13_L20_P	109	B13_L1_N	110
B13_L22_N	111	B13_L6_P	112
B13_L22_P	113	B13_L6_N	114
B13_L19_P	115	B13_L23_N	116
B13_L19_N	117	B13_L23_P	118
GND	119		120

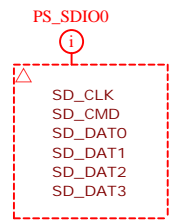
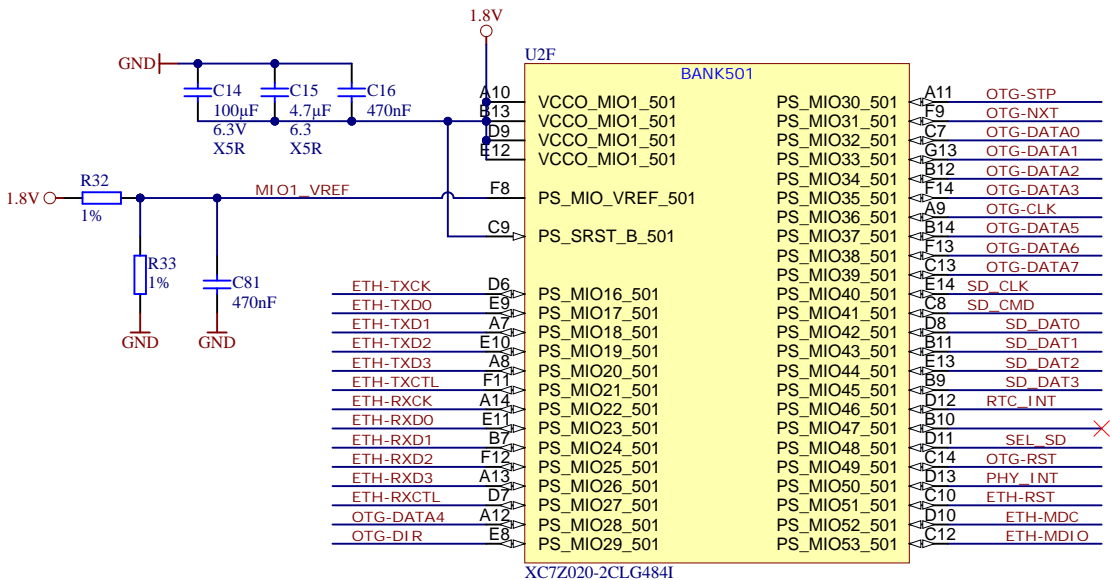
BTE-060-01-L-D-A-K-TR

ETH2_TX_P	2		
ETH2_TX_N	4		
GND	6		
GND	8		
ETH2_RX_P	10		
ETH2_RX_N	12		
GND	14		
ETH2_LED1	16		
ETH2_LED0	18		
GND	20		
ETH1_TX_P	22		
ETH1_TX_N	24		
GND	26		
ETH1_RX_P	28		
ETH1_RX_N	30		
GND	32		
ETH1_LED1	34		
ETH1_LED0	36		
B35_IO23	38		
B35_IO24	40		
B35_IO25	42		
B35_IO26	44		
B35_IO27	46		
B35_IO28	48		
B35_IO29	50		
GND	52		
SIN_P	54		
SIN_N	56		
GND	58		
SOUT_P	60		
SOUT_N	62		
GND	64		
PHY_MDI3_N	66		
PHY_MDI3_P	68		
GND	70		
PHY_MDI2_N	72		
PHY_MDI2_P	74		
GND	76		
PHY_MDI1_N	78		
PHY_MDI1_P	80		
GND	82		
PHY_MDI0_N	84		
PHY_MDI0_P	86		
GND	88		
MIO9	90		
I2C0_SDA	92		
I2C0_SCL	94		
USART0_RX	96		
USART0_TX	98		
GND	100		
eSD_DAT2	102		
eSD_DAT3	104		
eSD_CMD	106		
eSD_CLK	108		
eSD_DAT0	110		
eSD_DAT1	112		
BOARD_STAT	114		
BOOT_MODE2	116		
BOOT_MODE1	118		
VBAT_IN	120		

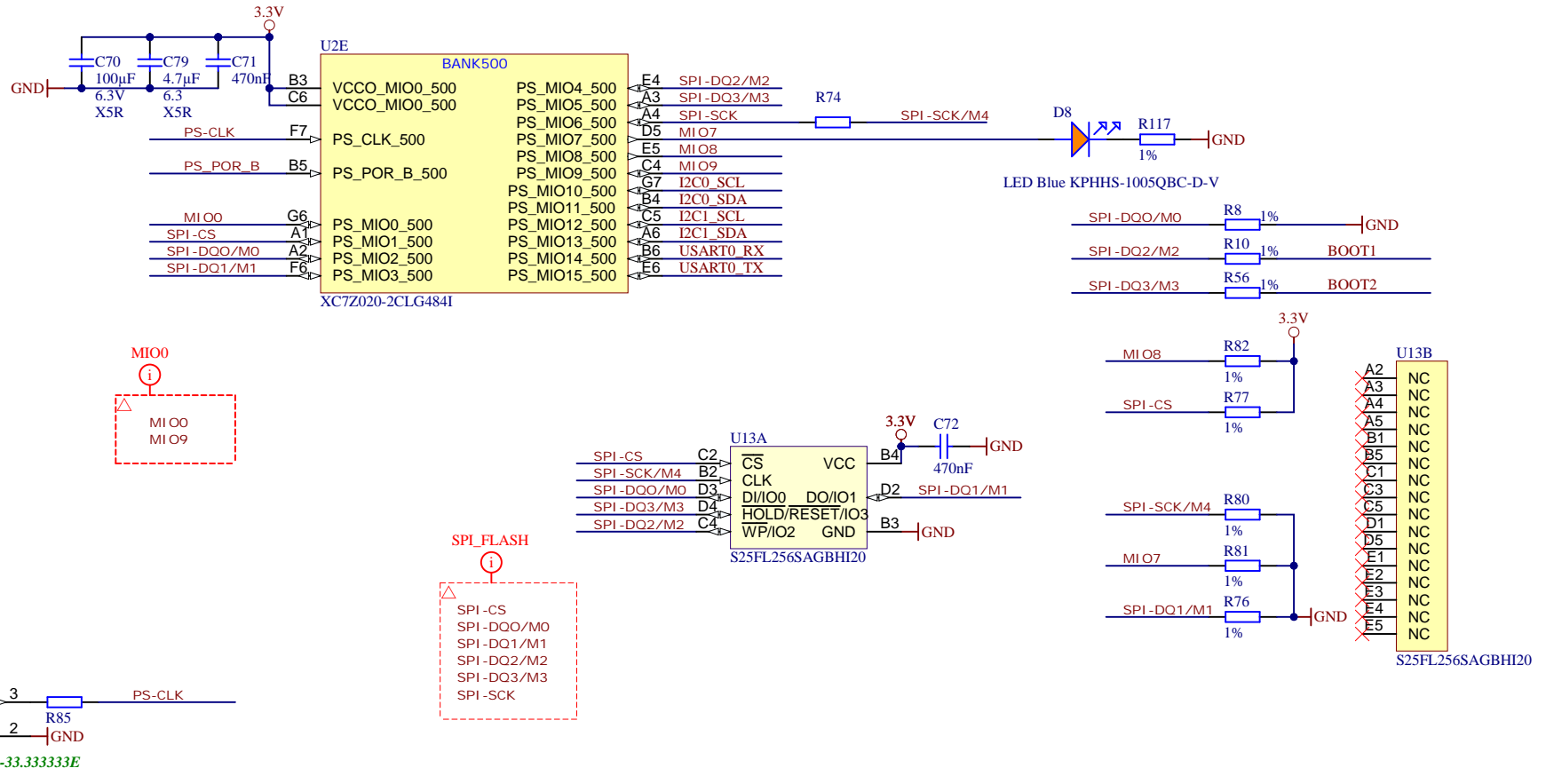
BTE-060-01-L-D-A-K-TR



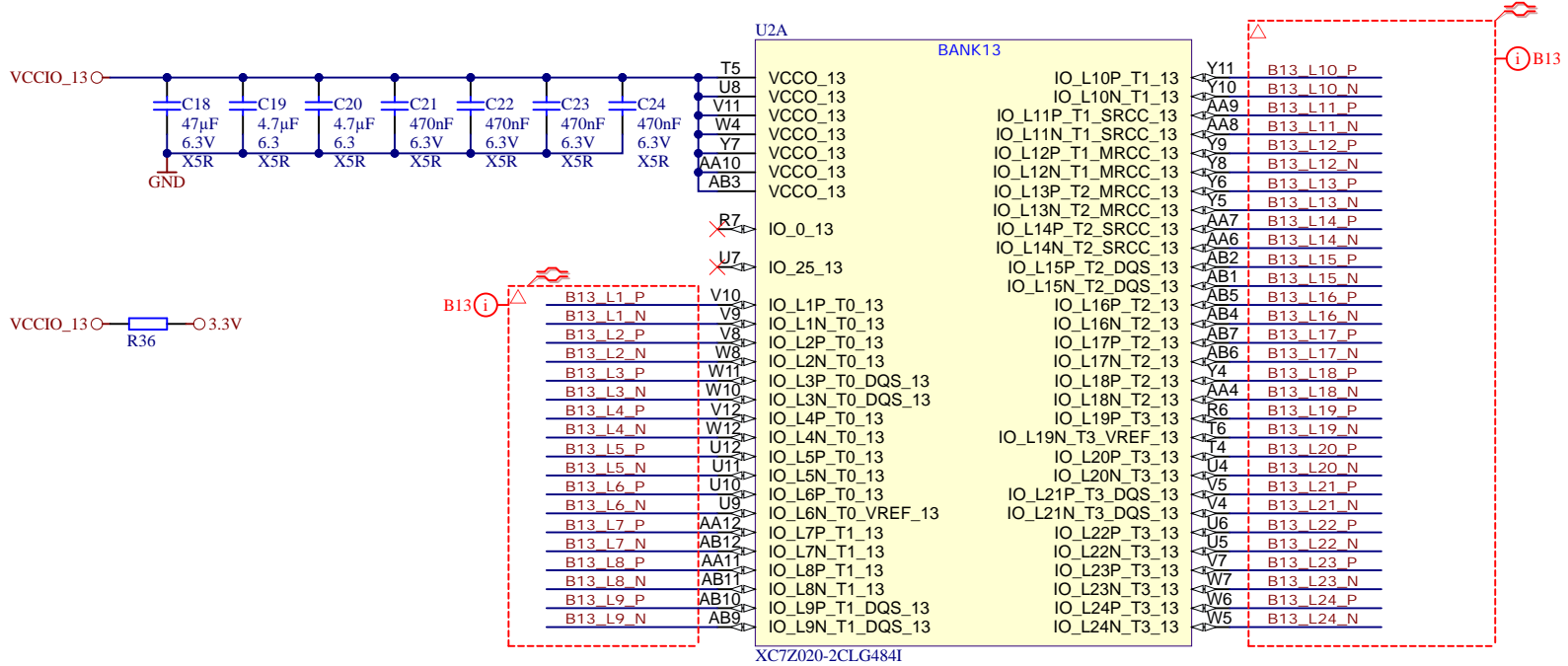
Title: TE0729 - Interface		
A4	Number: TE0729 62163FA	Rev. 02
Date: 2016-05-02	Copyright: Trenz Electronic GmbH / TT	Page3 of 21
Filename: Interface.SchDoc		



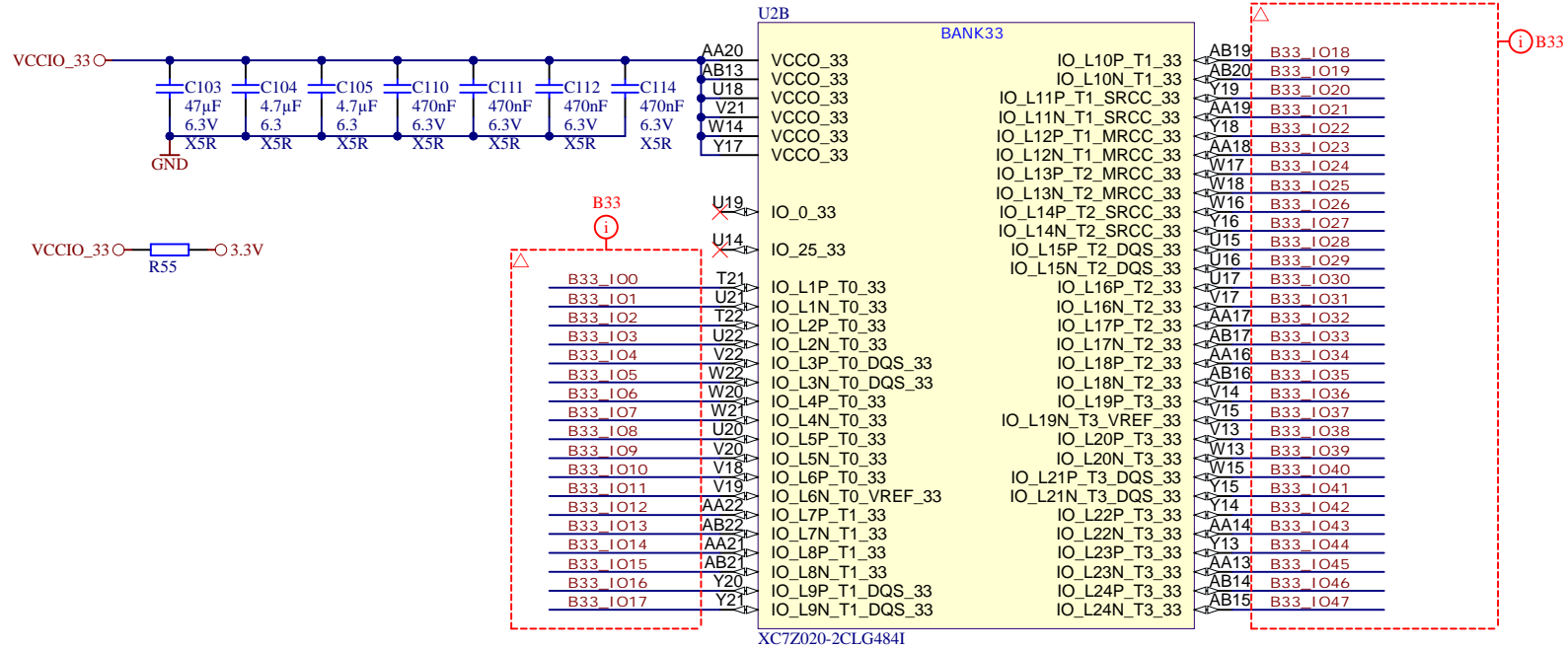
Title: TE0729 - ZYNQ_MIO_B501		
A4	Number: TE0729 62163FA	Rev. 02
Date: 2016-05-02	Copyright: Trenz Electronic GmbH / TT	Page4 of 21
Filename: MIO_B501.SchDoc		



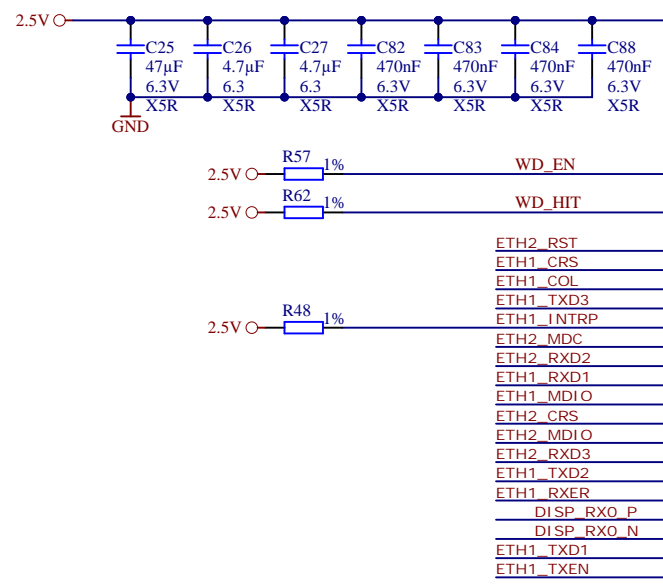

Title: TE0729 - ZYNQ_MIO_B500		
A4	Number: TE0729 62I63FA	Rev. 02
Date: 2016-05-02	Copyright: Trenz Electronic GmbH / TT	Page5 of 21
Filename: MIO_B500.SchDoc		



	Title: TE0729 - ZYNQ_B13	
	A4	Number: TE0729 62I63FA
	Date: 2016-05-02	Copyright: Trenz Electronic GmbH / TT
	Filename: B13.SchDoc	
	Rev. 02	Page 6 of 21



Title: TE0729 - ZYNQ_B33		
A4	Number: TE0729 62I63FA	Rev. 02
Date: 2016-05-02	Copyright: Trenz Electronic GmbH / TT	Page 7 of 21
Filename: B33.SchDoc		



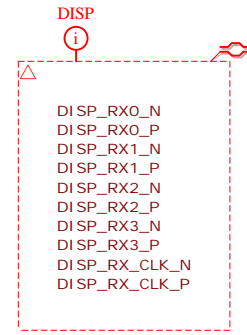
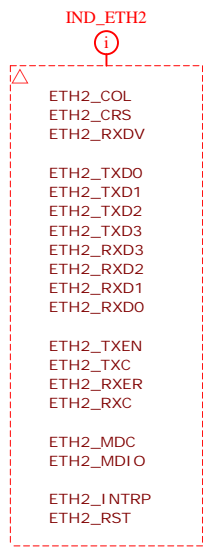

U2C

BANK34

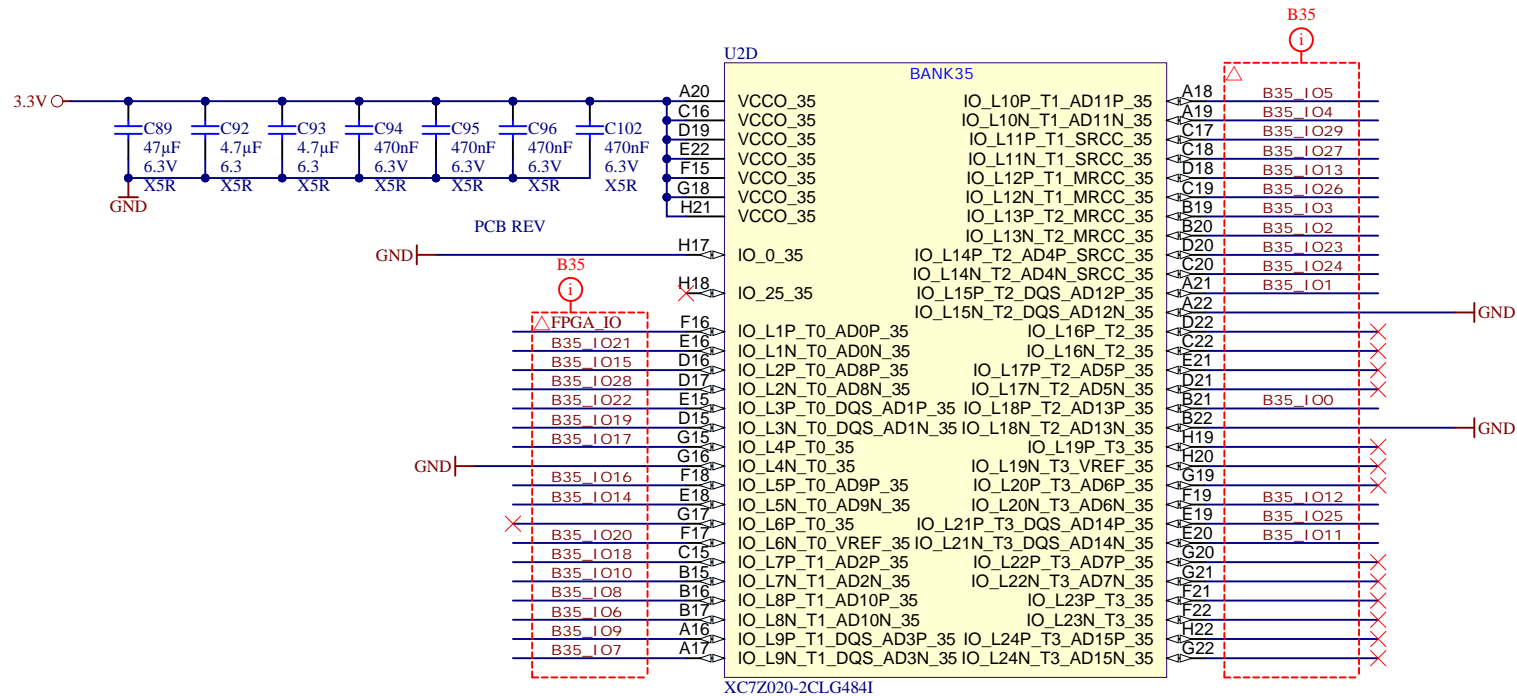
VCC0_34	IO_L10P_T1_34
VCC0_34	IO_L10N_T1_34
VCC0_34	IO_L11P_T1_SRCC_34
VCC0_34	IO_L11N_T1_SRCC_34
VCC0_34	IO_L12P_T1_MRCC_34
VCC0_34	IO_L12N_T1_MRCC_34
VCC0_34	IO_L13P_T2_MRCC_34
VCC0_34	IO_L13N_T2_MRCC_34
IO_0_34	IO_L14P_T2_SRCC_34
IO_25_34	IO_L14N_T2_SRCC_34
	IO_L15P_T2_DQS_34
	IO_L15N_T2_DQS_34
IO_L1P_T0_34	IO_L16P_T2_34
IO_L1N_T0_34	IO_L16N_T2_34
IO_L2P_T0_34	IO_L17P_T2_34
IO_L2N_T0_34	IO_L17N_T2_34
IO_L3P_T0_DQS_PUDC_B_34	IO_L18P_T2_34
IO_L3N_T0_DQS_34	IO_L18N_T2_34
IO_L4P_T0_34	IO_L19P_T3_34
IO_L4N_T0_34	IO_L19N_T3_VREF_34
IO_L5P_T0_34	IO_L20P_T3_34
IO_L5N_T0_34	IO_L20N_T3_34
IO_L6P_T0_34	IO_L21P_T3_DQS_34
IO_L6N_T0_VREF_34	IO_L21N_T3_DQS_34
IO_L7P_T1_34	IO_L22P_T3_34
IO_L7N_T1_34	IO_L22N_T3_34
IO_L8P_T1_34	IO_L23P_T3_34
IO_L8N_T1_34	IO_L23N_T3_34
IO_L9P_T1_DQS_34	IO_L24P_T3_34
IO_L9N_T1_DQS_34	IO_L24N_T3_34

XC7Z020-2CLG484I

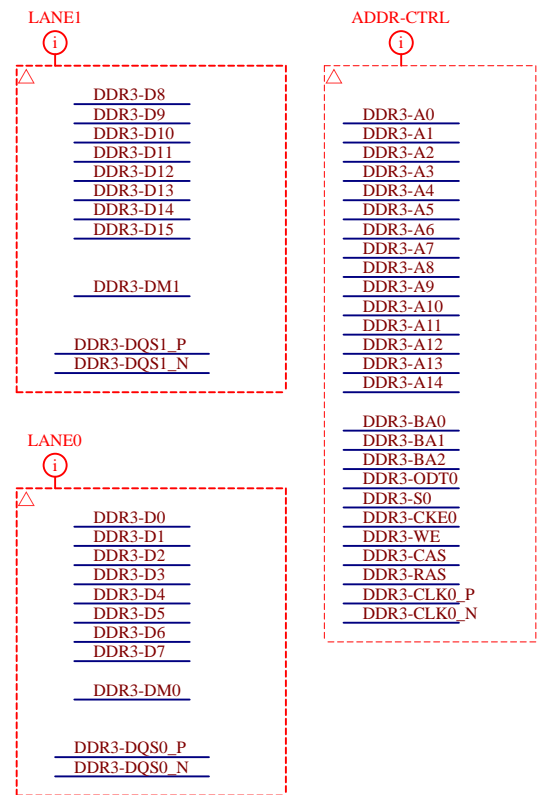
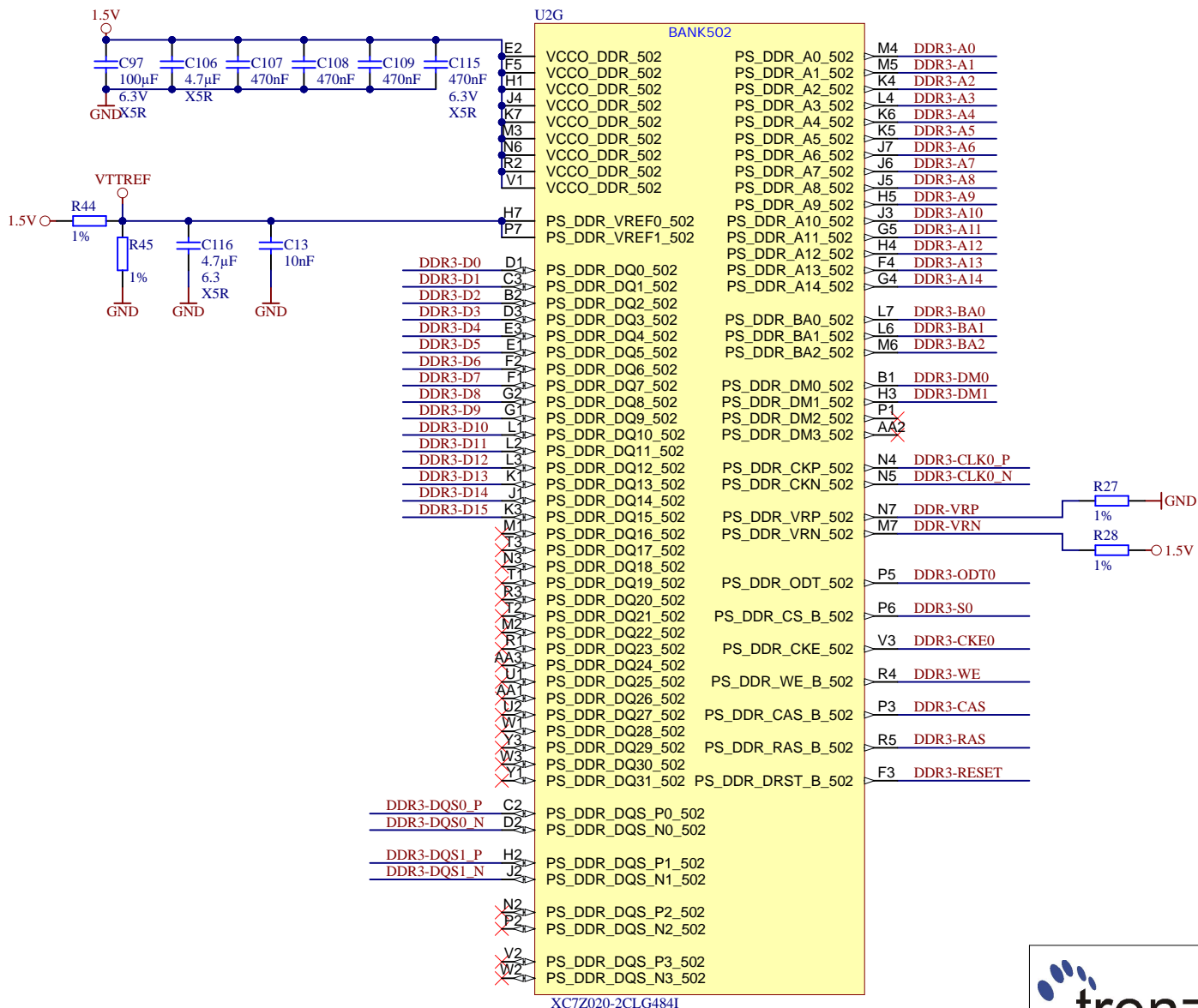
L21	DISP_RX1_P
L22	DISP_RX1_N
K19	ETH1_TXC
K20	ETH1_TXDO
L18	ETH1_RXC
L19	ETH1_RXDV
M19	ETH2_RXC
M20	ETH1_RXDO
N19	ETH2_TXC
N20	ETH1_RXD2
M21	DISP_RX2_P
M22	DISP_RX2_N
N22	DISP_RX3_P
P22	DISP_RX3_N
R20	DISP_RX_CLK_P
R21	DISP_RX_CLK_N
P20	ETH1_RXD3
P21	ETH1_MDC
N15	ETH2_RXD1
P15	ETH1_RST
P17	ETH2_COL
P18	ETH2_INTRP
T16	ETH2_TXD0
T17	ETH2_TXEN
R19	ETH2_TXD3
T19	ETH2_TXD1
R18	ETH2_RXER
T18	ETH2_TXD2
P16	ETH2_RXD0
R16	ETH2_RXDV





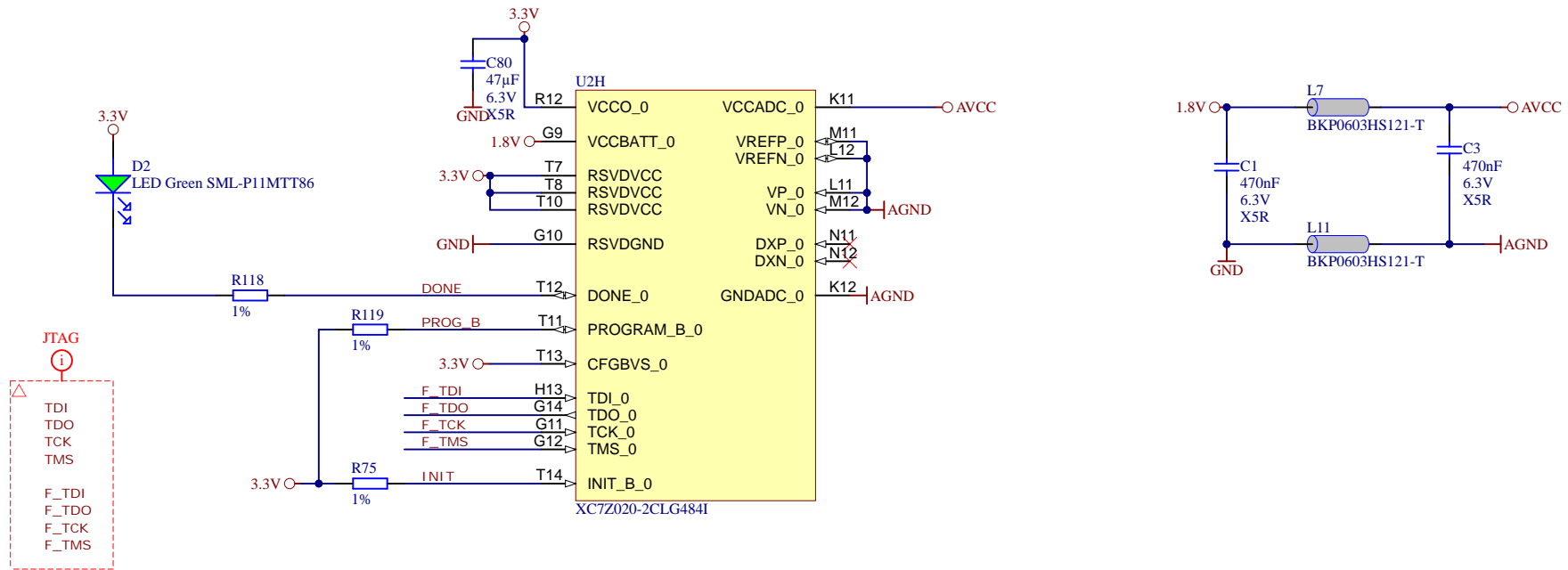
Title: TE0729 - ZYNQ_B34		
A4	Number: TE0729 62I63FA	Rev. 02
Date: 2016-05-02	Copyright: Trenz Electronic GmbH / TT	Page8 of 21
Filename: B34.SchDoc		



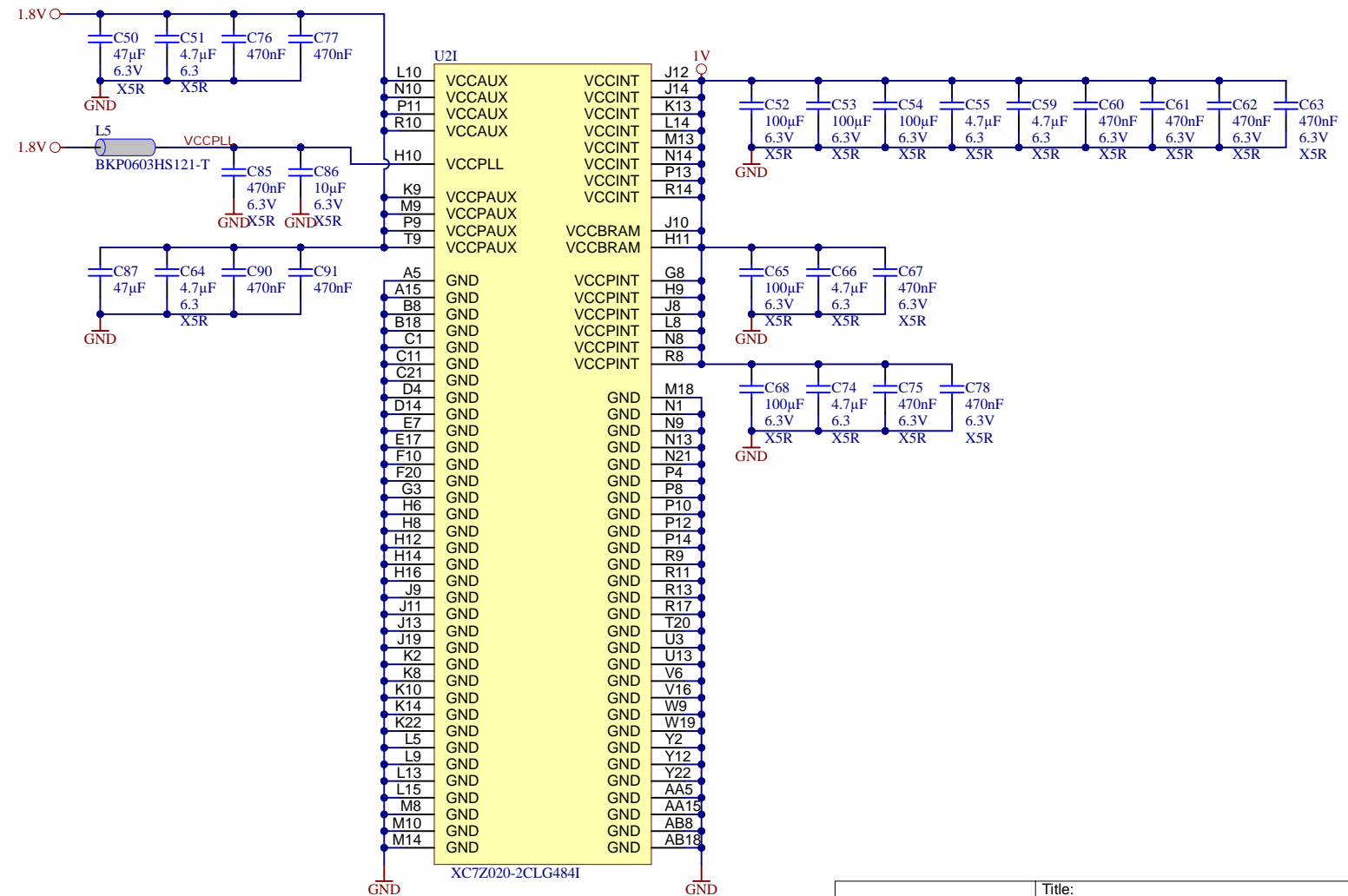
Title: TE0729 - ZYNQ_B35		
A4	Number: TE0729 62I63FA	Rev. 02
Date: 2016-05-02	Copyright: Trenz Electronic GmbH / TT	Page 9 of 21
Filename: B35.SchDoc		




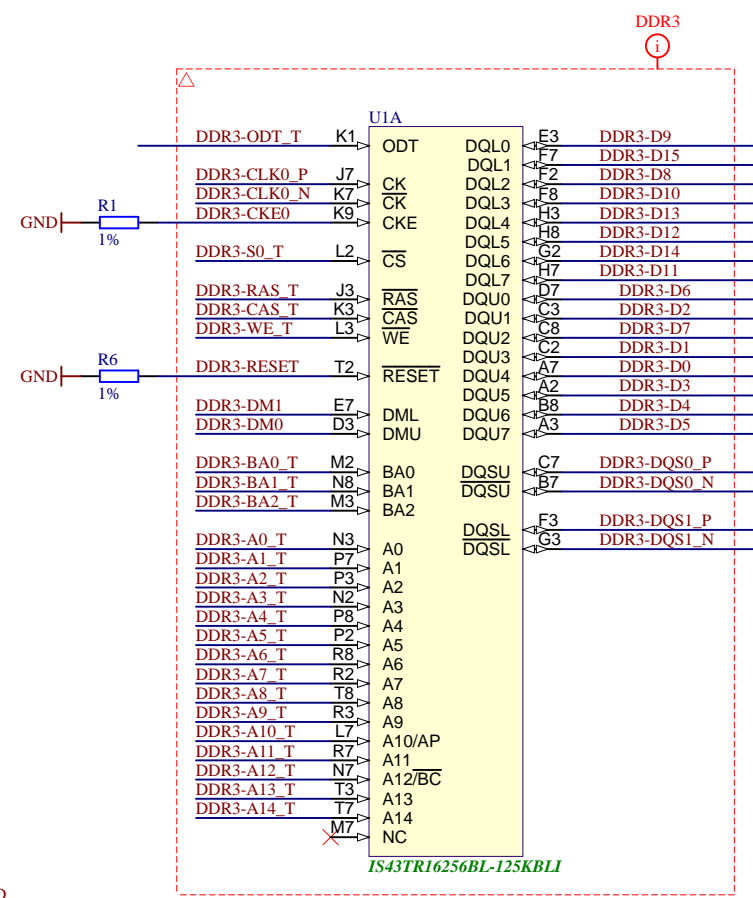
		Title: TE0729 - ZYNQ_PS_DDR	
		A4	Number: TE0729 62163FA
Date: 2016-05-02		Copyright: Trenz Electronic GmbH / TT	
Filename: PS-DDR.SchDoc		Page 10 of 21	



	Title: TE0729 - ZYNQ_MISC	
	A4	Number: TE0729 62I63FA
	Date: 2016-05-02	Copyright: Trenz Electronic GmbH / TT
	Rev. 02	
Date: 2016-05-02		Page 11 of 21
Filename: ZYNQ_MISC.SchDoc		



		Title: TE0729 - ZYNQ_Power	
		A4	Number: TE0729 62I63FA
Date: 2016-05-02		Copyright: Trenz Electronic GmbH / TT	
Filename: ZYNC_POWER.SchDoc		Page 12 of 21	



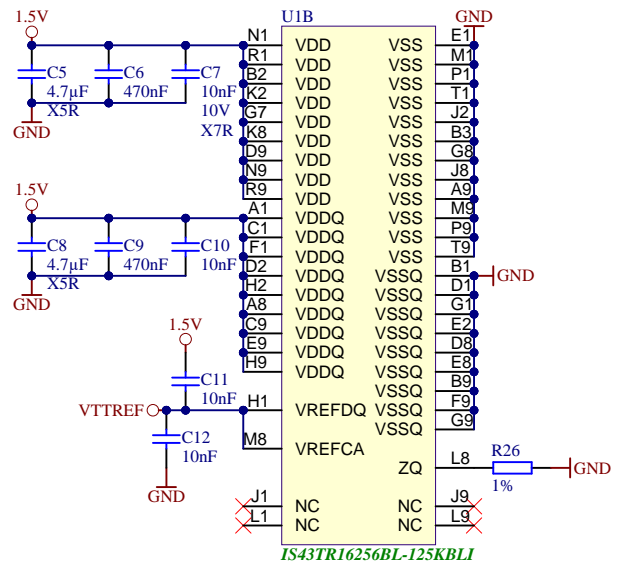
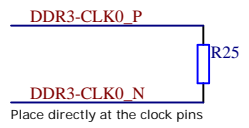
DDR3-ODT0	R68	DDR3-ODT T
DDR3-S0	R102	DDR3-S0 T
DDR3-RAS	R103	DDR3-RAS T
DDR3-CAS	R4	DDR3-CAS T
DDR3-WE	R5	DDR3-WE T
DDR3-BA0	R7	DDR3-BA0 T
DDR3-BA1	R97	DDR3-BA1 T
DDR3-BA2	R9	DDR3-BA2 T
DDR3-A0	R96	DDR3-A0 T
DDR3-A1	R106	DDR3-A1 T
DDR3-A2	R12	DDR3-A2 T
DDR3-A3	R107	DDR3-A3 T
DDR3-A4	R14	DDR3-A4 T
DDR3-A5	R110	DDR3-A5 T
DDR3-A6	R16	DDR3-A6 T
DDR3-A7	R17	DDR3-A7 T
DDR3-A8	R111	DDR3-A8 T
DDR3-A9	R19	DDR3-A9 T
DDR3-A10	R20	DDR3-A10 T
DDR3-A11	R21	DDR3-A11 T
DDR3-A12	R22	DDR3-A12 T
DDR3-A13	R23	DDR3-A13 T
DDR3-A14	R24	DDR3-A14 T

S40-15

DDR3-D9	DDR3-S0_T
DDR3-D15	DDR3-RAS_T
DDR3-D8	DDR3-CAS_T
DDR3-D11	DDR3-WE_T
DDR3-D14	DDR3-BA0_T
DDR3-D12	DDR3-BA1_T
DDR3-D10	DDR3-BA2_T
DDR3-D13	DDR3-A0_T
DDR3-D7	DDR3-A1_T
DDR3-D1	DDR3-A2_T
DDR3-D4	DDR3-A3_T
DDR3-D0	DDR3-A4_T
DDR3-D6	DDR3-A5_T
DDR3-D3	DDR3-A6_T
DDR3-D5	DDR3-A7_T
DDR3-D2	DDR3-A8_T
	DDR3-A9_T
	DDR3-A10_T
	DDR3-A11_T
	DDR3-A12_T
	DDR3-A13_T
	DDR3-A14_T
	DDR3-ODT_T
DDR3-A0	DDR3-ODT0
DDR3-A1	DDR3-CKE0
DDR3-A2	DDR3-S0
DDR3-A3	DDR3-RAS
DDR3-A4	DDR3-CAS
DDR3-A5	DDR3-WE
DDR3-A6	DDR3-RESET
DDR3-A7	DDR3-DM0
DDR3-A8	DDR3-DM1
DDR3-A9	DDR3-BA0
DDR3-A10	DDR3-BA1
DDR3-A11	DDR3-BA2
DDR3-A12	DDR3-A10_T
DDR3-A13	DDR3-A11_T
DDR3-A14	DDR3-A12_T

D80-15

DDR3-CLK0_P
DDR3-CLK0_N
DDR3-DQS0_P
DDR3-DQS0_N
DDR3-DQS1_P
DDR3-DQS1_N

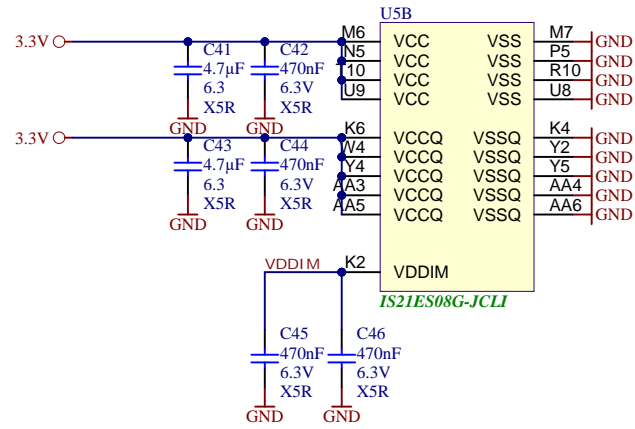
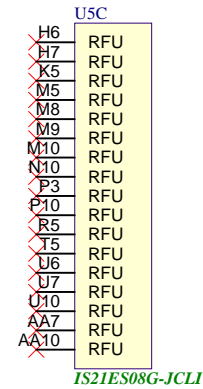
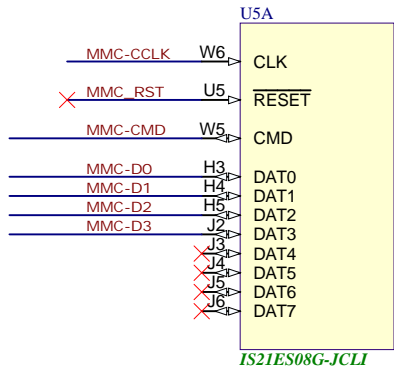
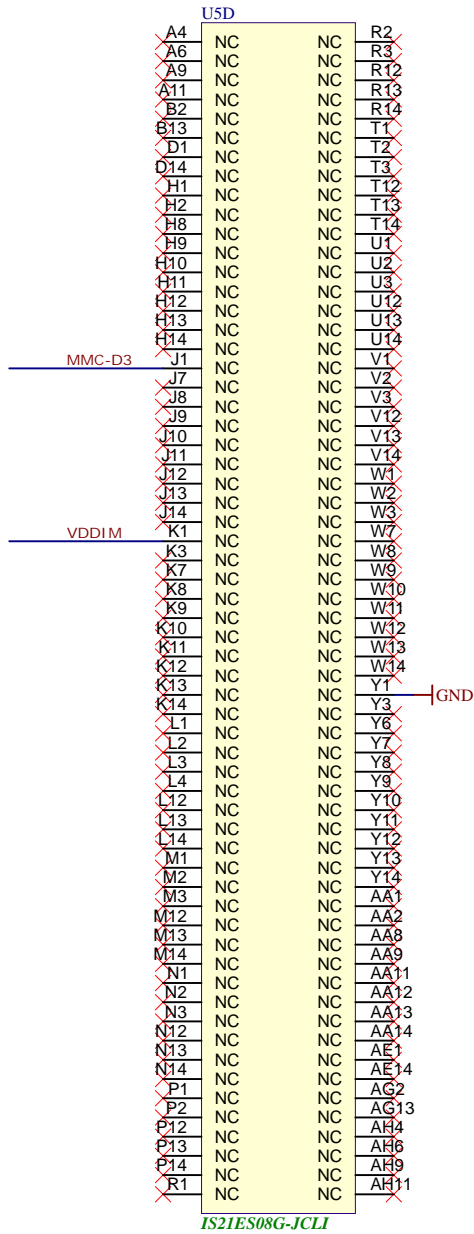


IS43TR16256BL-125KBLLI

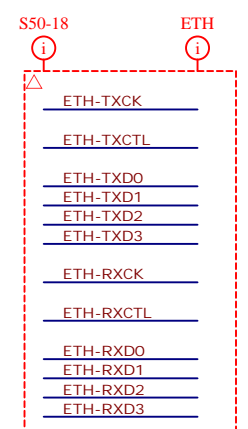
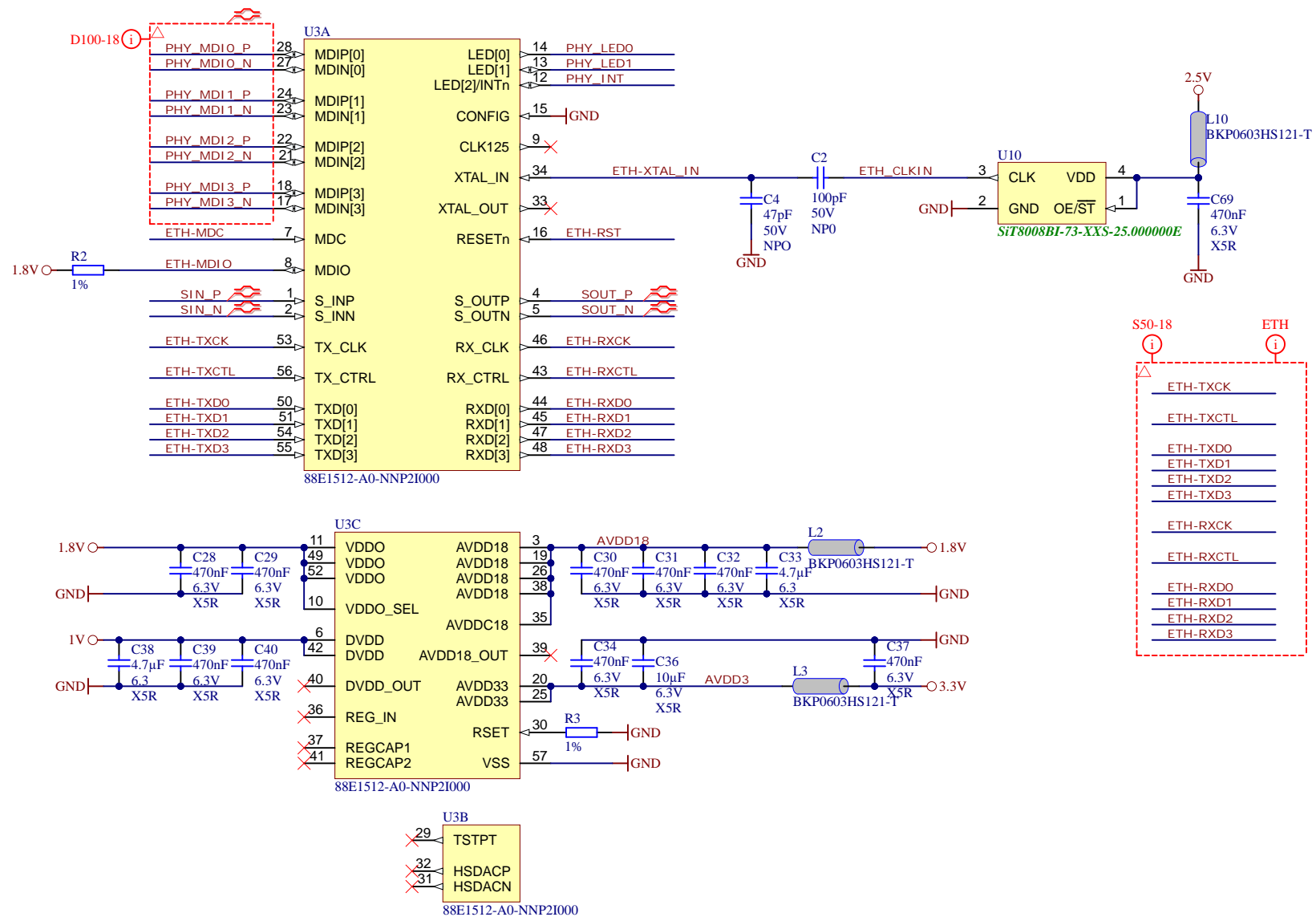
IS43TR16256BL-125KBLLI



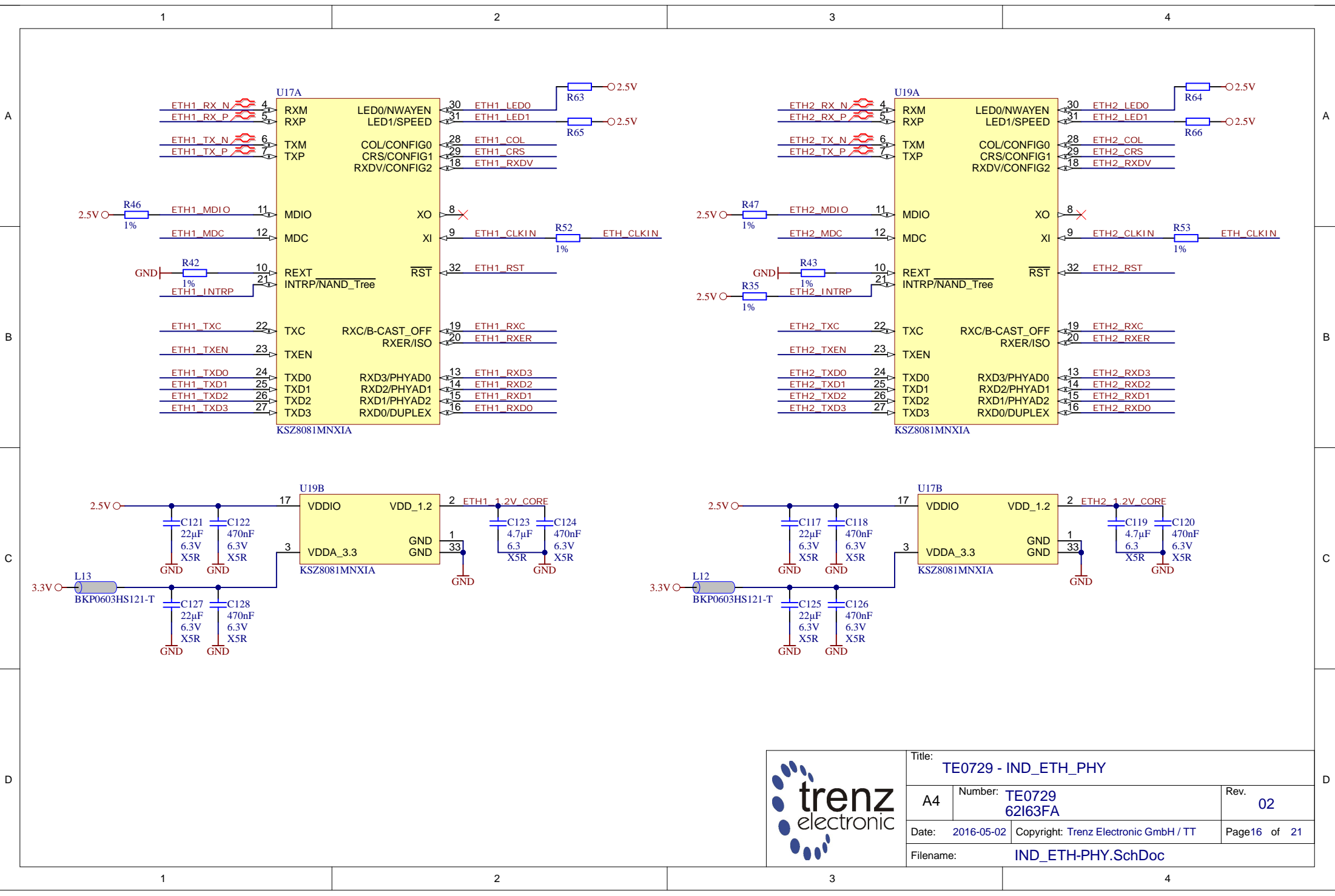
Title: TE0729 - DDR3		
A4	Number: TE0729 62163FA	Rev. 02
Date: 2016-05-02	Copyright: Trenz Electronic GmbH / TT	Page 13 of 21
Filename: DDR-RAM.SchDoc		



Title: TE0729 - eMMC		
A4	Number: TE0729 62I63FA	Rev. 02
Date: 2016-05-02	Copyright: Trenz Electronic GmbH / TT	Page 14 of 21
Filename: eMMC.SchDoc		



	Title: TE0729 - ETH_PHY		
	A4	Number: TE0729 62163FA	Rev. 02
	Date: 2016-05-02	Copyright: Trenz Electronic GmbH / TT	
	Page 15 of 21	Page 15 of 21	
Filename: ETH-PHY.SchDoc			



Title: TE0729 - IND_ETH_PHY		
A4	Number: TE0729 62I63FA	Rev. 02
Date: 2016-05-02	Copyright: Trenz Electronic GmbH / TT	Page 16 of 21
Filename: IND_ETH-PHY.SchDoc		

1

2

3

4

A

A

B

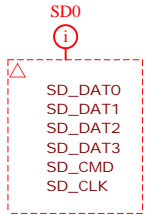
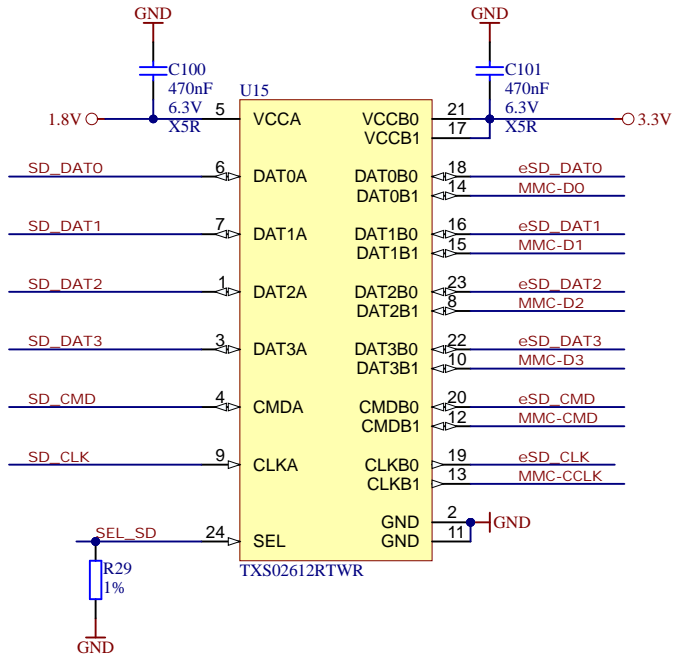
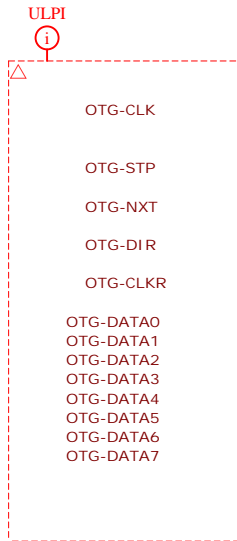
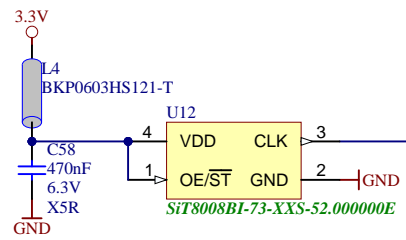
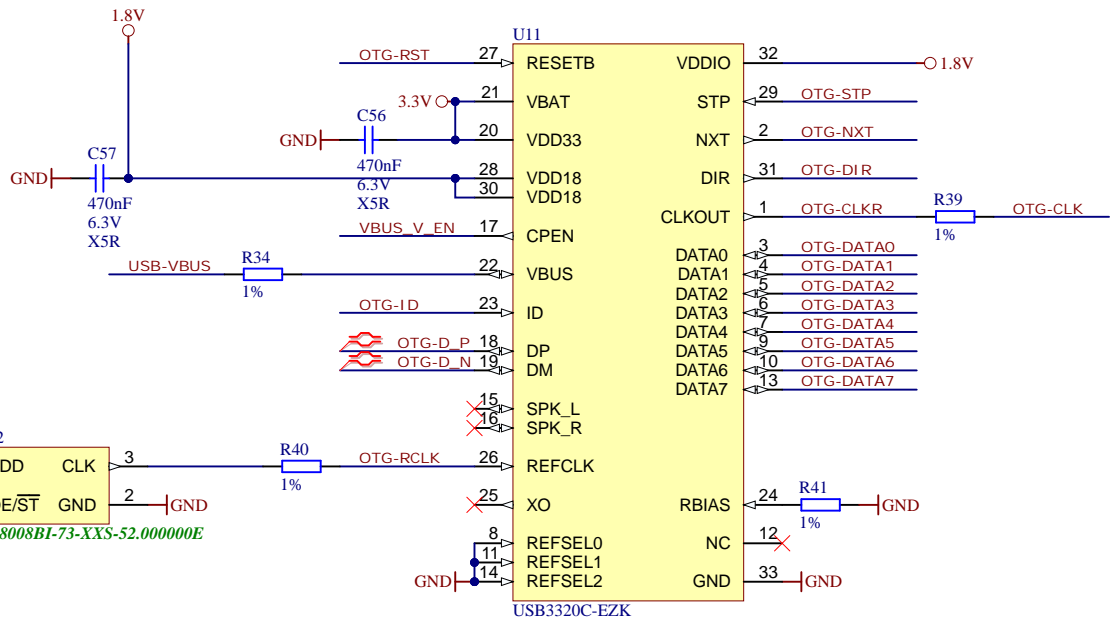
B

C

C

D

D



Title: TE0729 - USB_PHY		
A4	Number: TE0729 62163FA	Rev. 02
Date: 2014-03-05	Copyright: Trenz Electronic GmbH / TT	Page 17 of 21
Filename: USB-PHY.SchDoc		

1

2

3

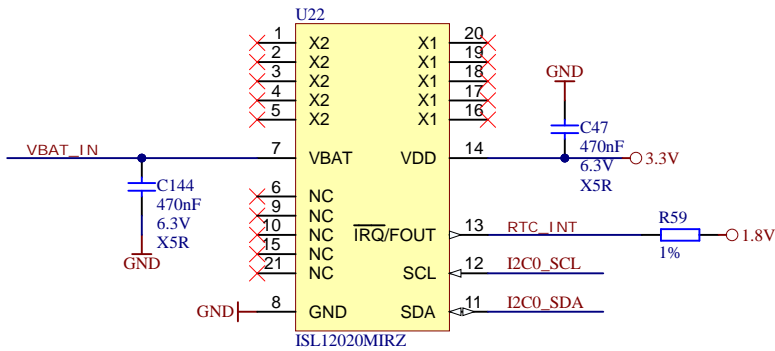
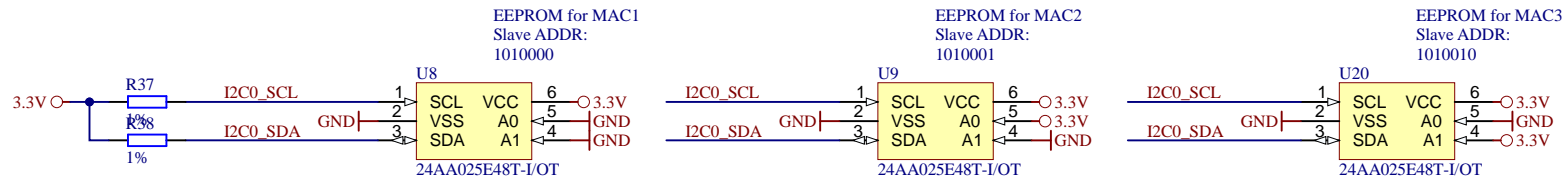
4


1

2

3

4



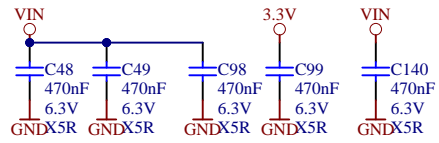
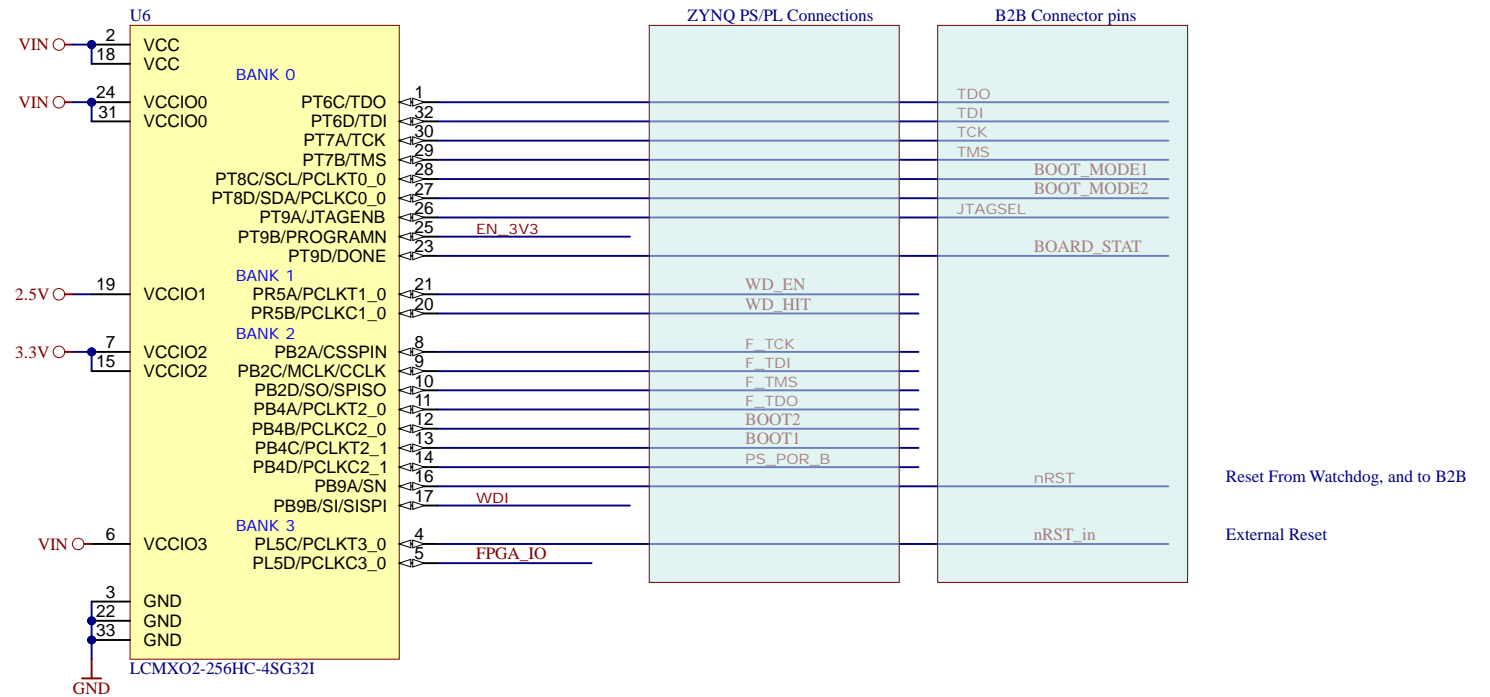
		Title: TE0729 - RTC	
		A4	Number: TE0729 62I63FA
Date: 2014-03-05		Copyright: Trenz Electronic GmbH / TT	
Filename: SENSOR-RTC.SchDoc		Page 18 of 21	


1

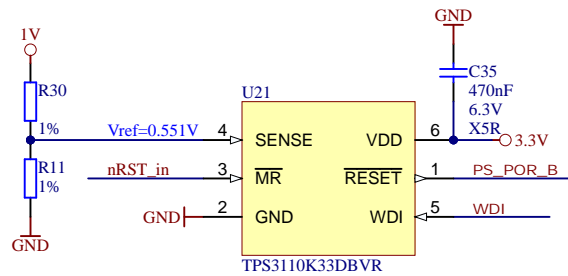
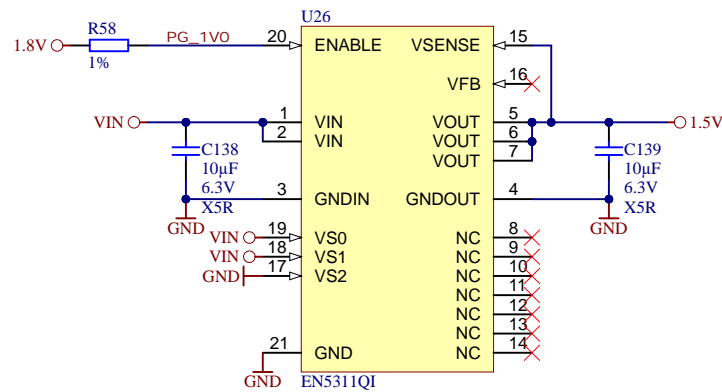
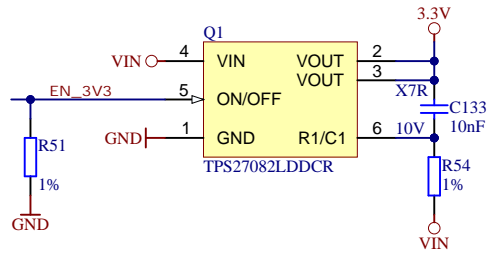
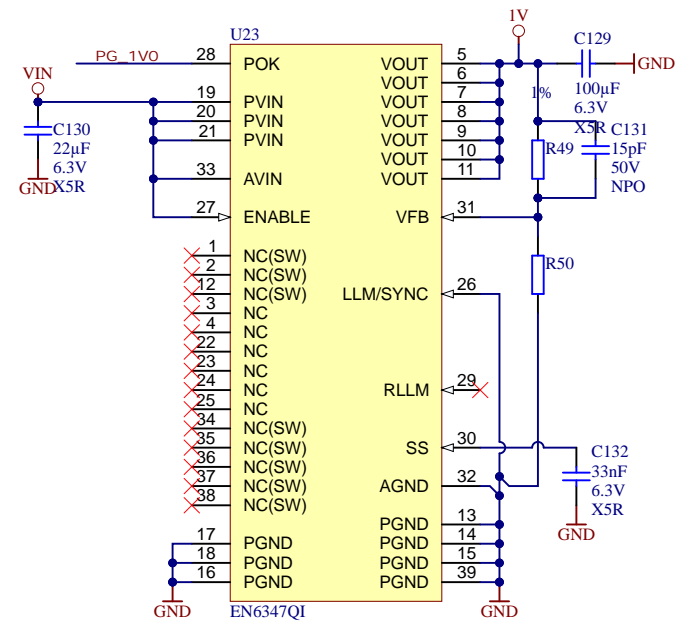
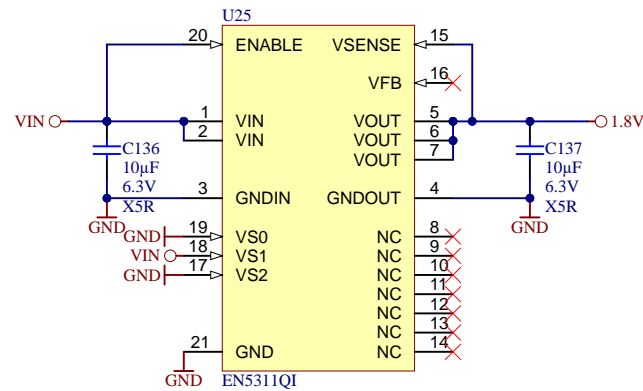
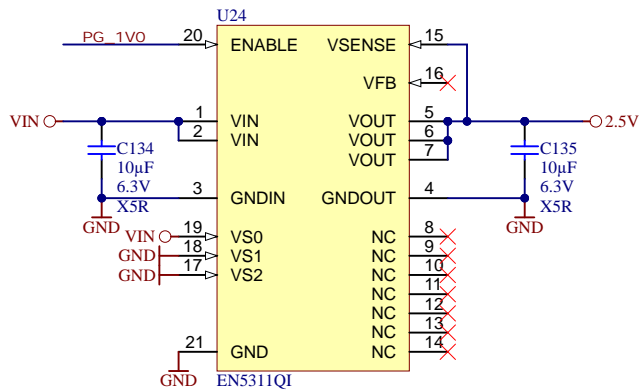
2


3

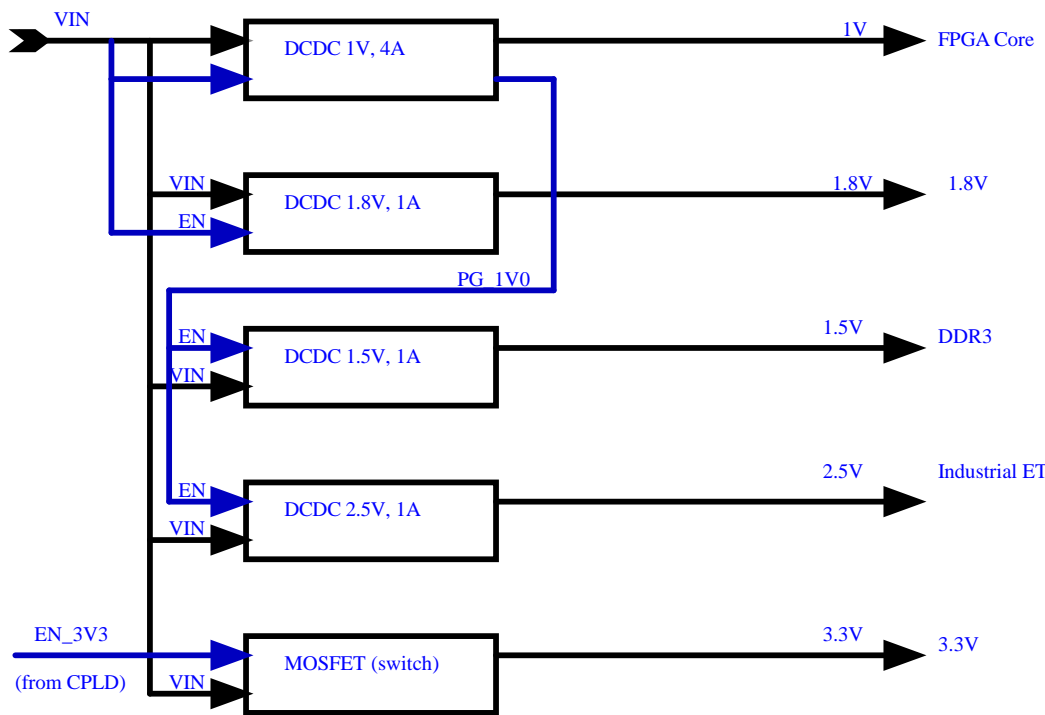
4



			Title: TE0729 - CPLD	
			A4	Number: TE0729 62I63FA
Date: 2016-05-02		Copyright: Trenz Electronic GmbH / TT		Page 19 of 21
Filename: CPLD.SchDoc				



		Title: TE0729 - Power	
		A4	Number: TE0729 62163FA
Date: 2016-05-02		Copyright: Trenz Electronic GmbH / TT	
Filename: Power.SchDoc		Page 20 of 21	



Title: TE0729 - Power overview		
A4	Number: TE0729 62163FA	Rev. 02
Date: 2016-05-02	Copyright: Trenz Electronic GmbH	Page21 of 21
Filename: PowerOverview.SchDoc		