

1

2

3

4

A

A

B

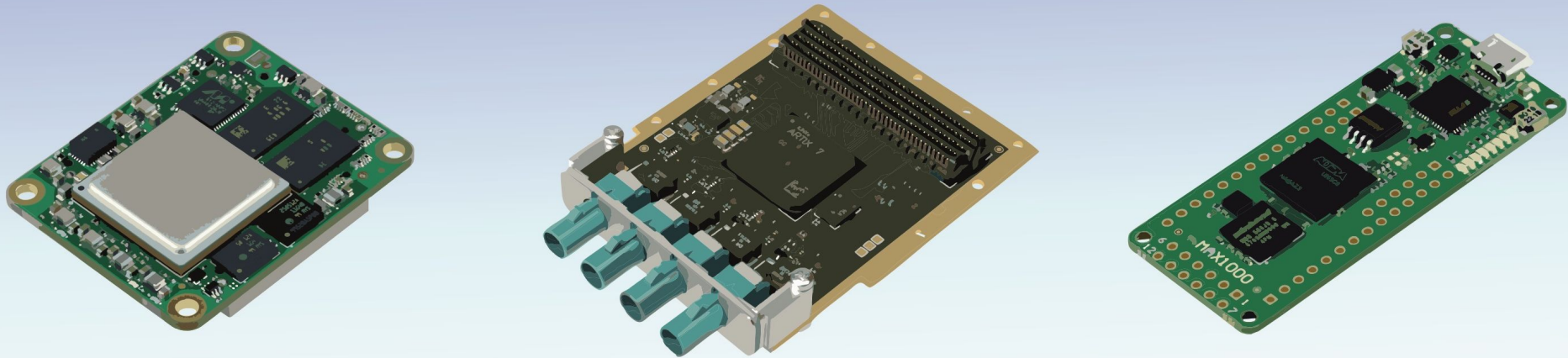
B

C

C

D

D



Regarding the usage of our schematics and alike documentation for Trenz module TE0729.

Project is protected under copyright and we strongly and strictly prohibit the reverse engineering or recreation, even if the design is just adapted or modified. TE0729 is protected under such right and in case of plagiarism we will have to do anything necessary in order to protect our assets.

Schematics and other handouts serve for informational purposes only!

	Title: TE0729 - Legal Notice		
	A4	Number: TE0729 62I65FM	Rev. 02
	Date: 2020-08-14	Copyright: Trenz Electronic GmbH / TT	Page 1 of 21
	Filename: Legal Notices Modules.SchDoc		

1

2

3

4

1

2

3

4

U_DDR-RAM
DDR-RAM.SchDoc



U_B13
B13.SchDoc



U_B34
B34.SchDoc



U_B35
B35.SchDoc



U_MIO_B500
MIO_B500.SchDoc



U_MIO_B501
MIO_B501.SchDoc



U_Interface
Interface.SchDoc



U_Power
Power.SchDoc



U_PS-DRR
PS-DRR.SchDoc



U_PowerOverview
PowerOverview.SchDoc



U_ETH-PHY
ETH-PHY.SchDoc



U_ZYNC_POWER
ZYNC_POWER.SchDoc



U_ZYNQ_MISC
ZYNQ_MISC.SchDoc



U_B33
B33.SchDoc



U_IND_ETH-PHY
IND_ETH-PHY.SchDoc



U_USB-PHY
USB-PHY.SchDoc



U_eMMC
eMMC.SchDoc



U_SENSOR-RTC
SENSOR-RTC.SchDoc



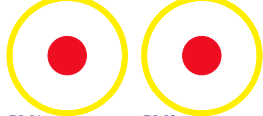
U_CPLD
CPLD.SchDoc



U_LN
Legal Notices Modules.SchDoc



FIDU-DOT - small FIDU-DOT - small



PM1 PM2
FIDU-DOT - small FIDU-DOT - small



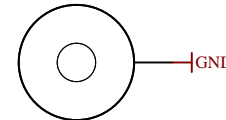
PM3 PM4
FIDU-DOT - small FIDU-DOT - small



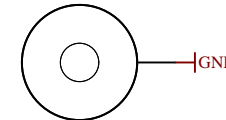
PM5 PM6



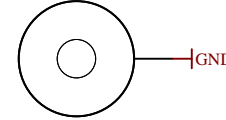
Serial
Serial
Serialnumber 6,3 x 6,3mm



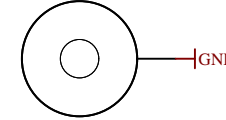
Mount.Hole 3.2mm für Unterlegscheibe



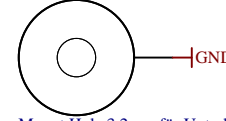
Mount.Hole 3.2mm für Unterlegscheibe



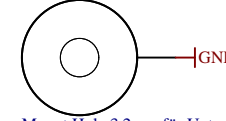
Mount.Hole 3.2mm für Unterlegscheibe



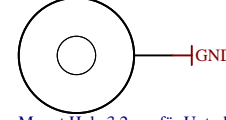
Mount.Hole 3.2mm für Unterlegscheibe



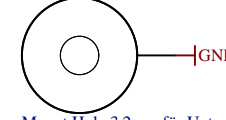
Mount.Hole 3.2mm für Unterlegscheibe



Mount.Hole 3.2mm für Unterlegscheibe



Mount.Hole 3.2mm für Unterlegscheibe



Mount.Hole 3.2mm für Unterlegscheibe



Title: TE0729		
A4	Number: TE0729 62165FM	Rev. 02
Date: 2016-05-02	Copyright: Trenz Electronic GmbH / TT	Page 2 of 21
Filename: TE0729.SchDoc		

1

2

3

4

A

A

B

B

C

C

D

D

A

A

B

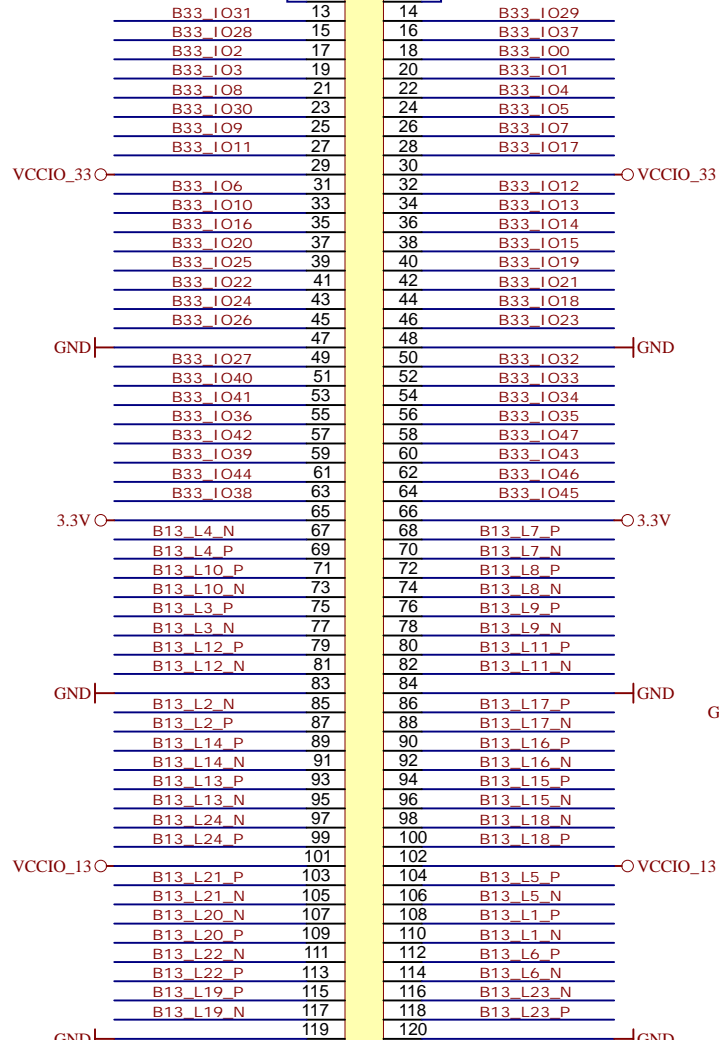
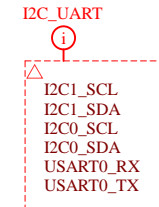
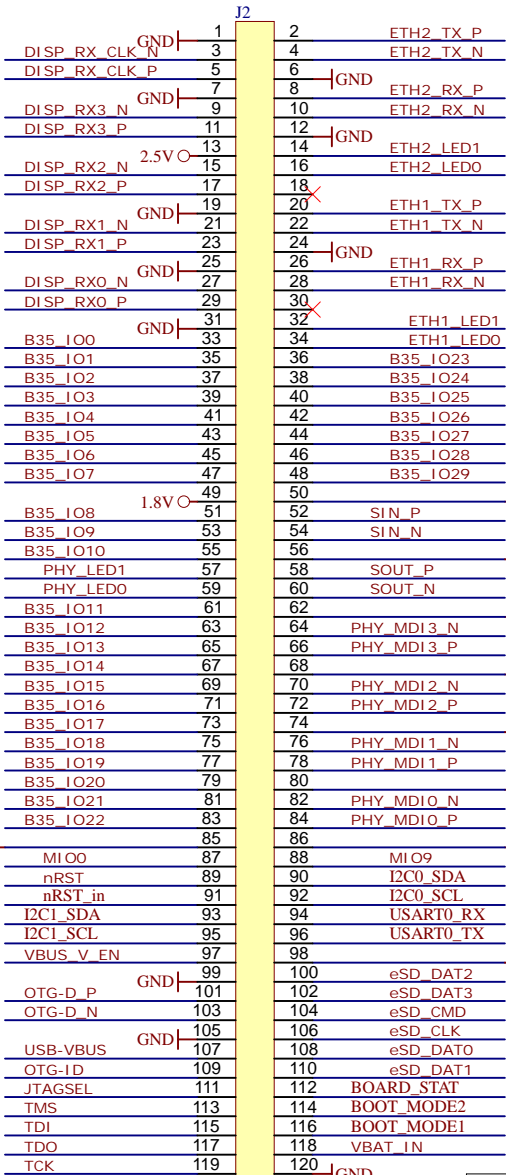
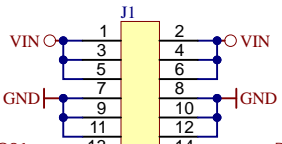
B

C

C

D

D

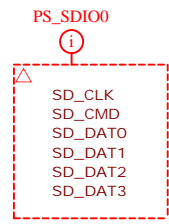
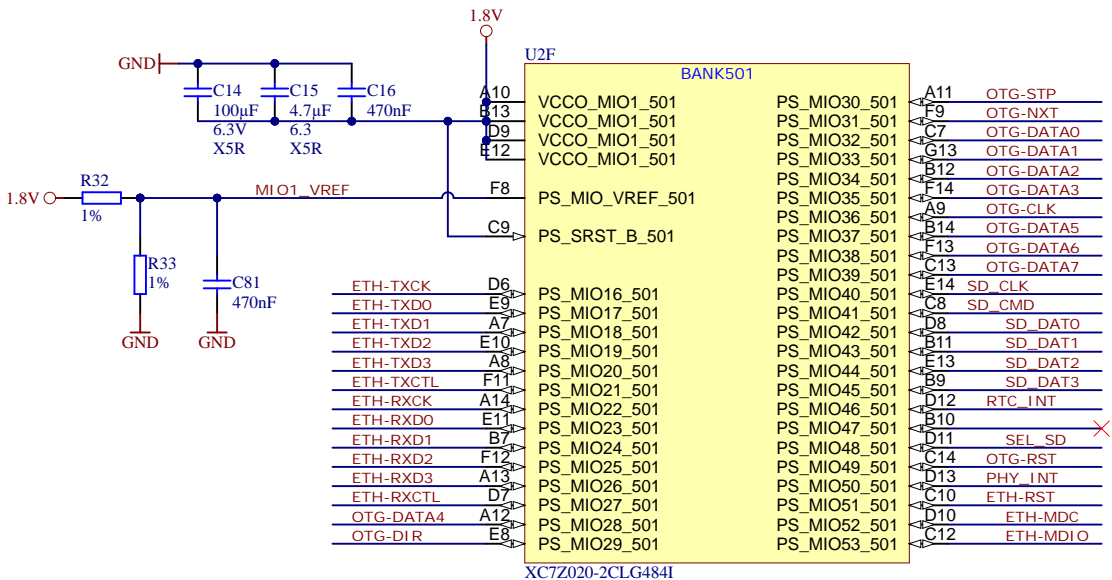


BTE-060-01-L-D-A-K-TR

BTE-060-01-L-D-A-K-TR



Title: TE0729 - Interface		
A4	Number: TE0729 62I65FM	Rev. 02
Date: 2016-05-02	Copyright: Trenz Electronic GmbH / TT	Page3 of 21
Filename: Interface.SchDoc		

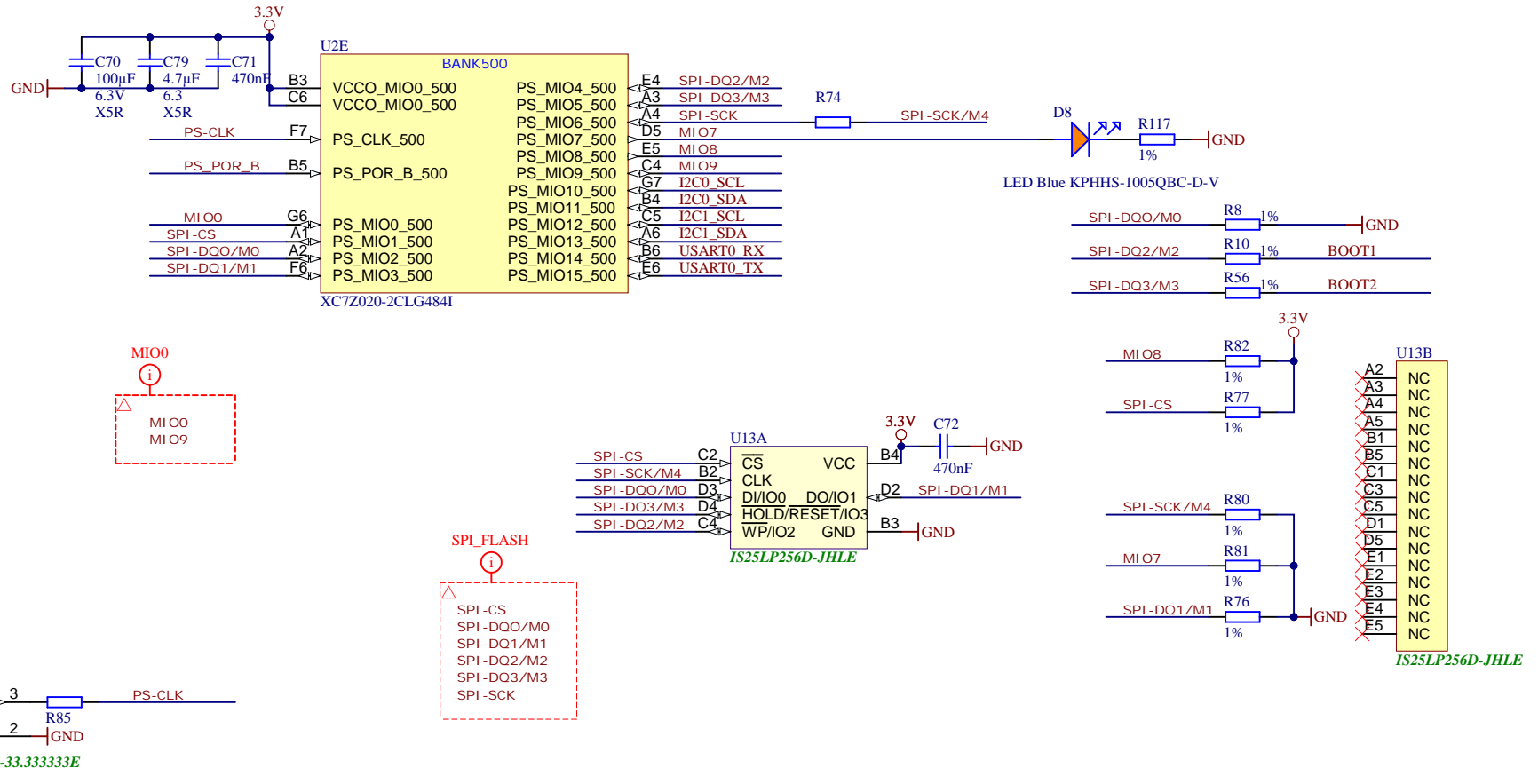



ETH-TXCK	D6	PS_MIO16_501	PS_MIO30_501	A11	OTG-STP
ETH-TXD0	E9	PS_MIO17_501	PS_MIO31_501	F9	OTG-NXT
ETH-TXD1	A7	PS_MIO18_501	PS_MIO32_501	C7	OTG-DATA0
ETH-TXD2	E10	PS_MIO19_501	PS_MIO33_501	G13	OTG-DATA1
ETH-TXD3	A8	PS_MIO20_501	PS_MIO34_501	B12	OTG-DATA2
ETH-TXCTL	F11	PS_MIO21_501	PS_MIO35_501	F14	OTG-DATA3
ETH-RXCK	A14	PS_MIO22_501	PS_MIO36_501	A9	OTG-CLK
ETH-RXD0	E11	PS_MIO23_501	PS_MIO37_501	B14	OTG-DATA5
ETH-RXD1	B7	PS_MIO24_501	PS_MIO38_501	F13	OTG-DATA6
ETH-RXD2	F12	PS_MIO25_501	PS_MIO39_501	C13	OTG-DATA7
ETH-RXD3	A13	PS_MIO26_501	PS_MIO40_501	E14	SD_CLK
ETH-RXCTL	D7	PS_MIO27_501	PS_MIO41_501	C8	SD_CMD
OTG-DATA4	A12	PS_MIO28_501	PS_MIO42_501	D8	SD_DAT0
OTG-DIR	E8	PS_MIO29_501	PS_MIO43_501	B11	SD_DAT1
			PS_MIO44_501	E13	SD_DAT2
			PS_MIO45_501	B9	SD_DAT3
			PS_MIO46_501	D12	RTC_INT
			PS_MIO47_501	B10	
			PS_MIO48_501	D11	SEL_SD
			PS_MIO49_501	C14	OTG-RST
			PS_MIO50_501	D13	PHY_INT
			PS_MIO51_501	C10	ETH-RST
			PS_MIO52_501	D10	ETH-MDC
			PS_MIO53_501	C12	ETH-MDIO

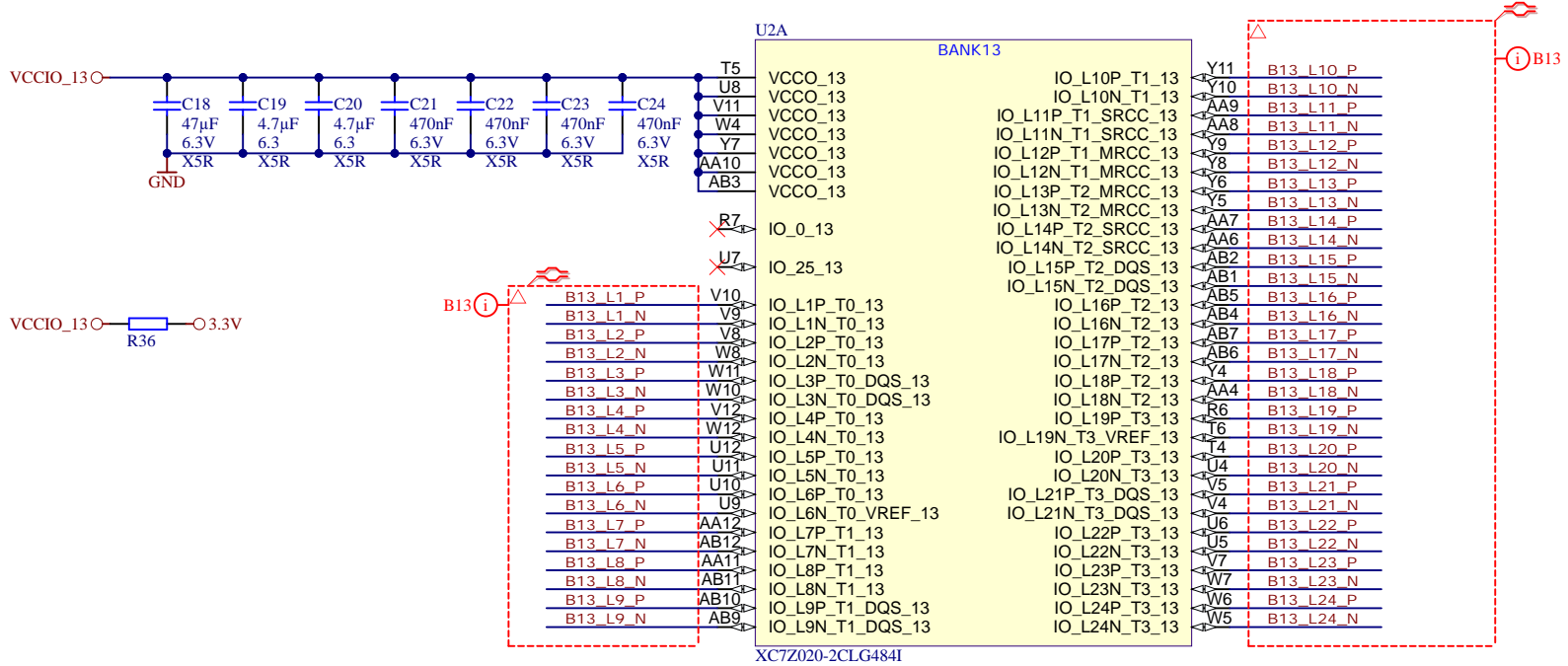
XC7Z020-2CLG484I




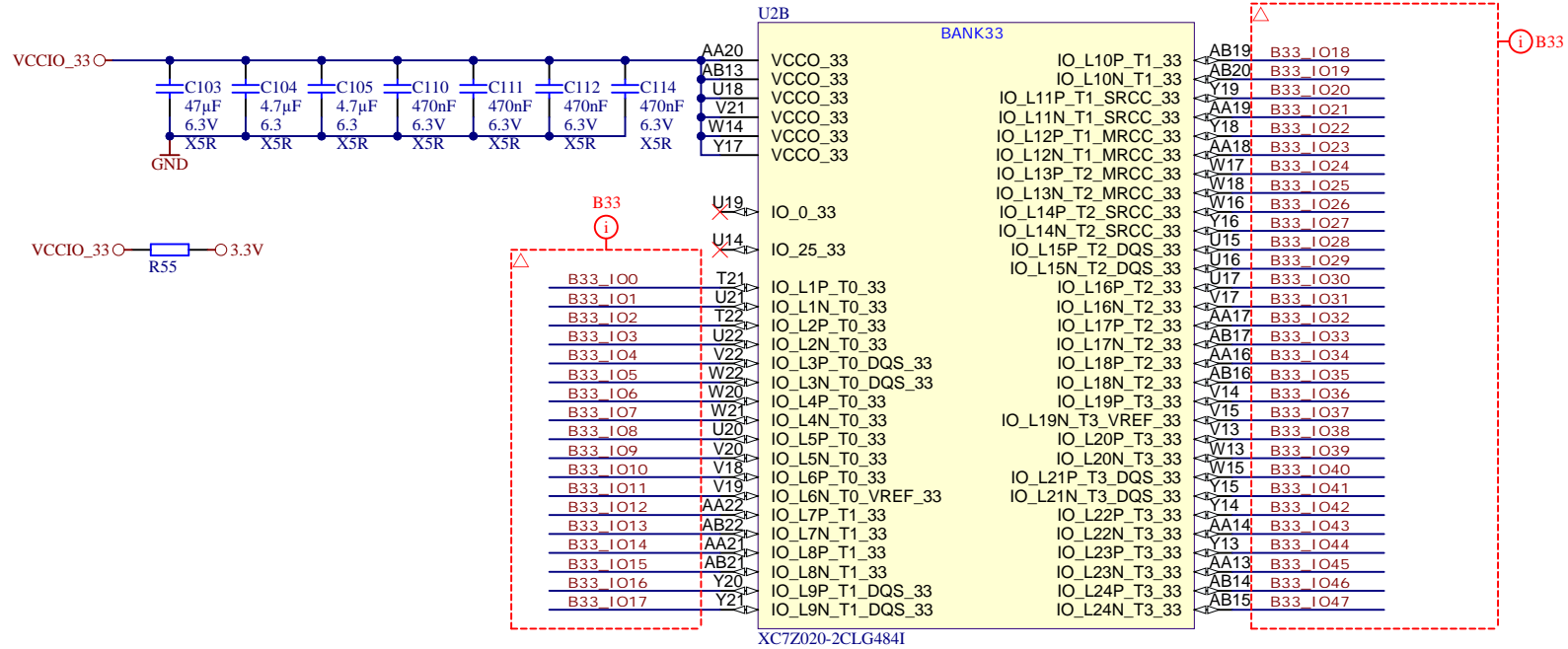
Title: TE0729 - ZYNQ_MIO_B501		
A4	Number: TE0729 62I65FM	Rev. 02
Date: 2016-05-02	Copyright: Trenz Electronic GmbH / TT	Page4 of 21
Filename: MIO_B501.SchDoc		

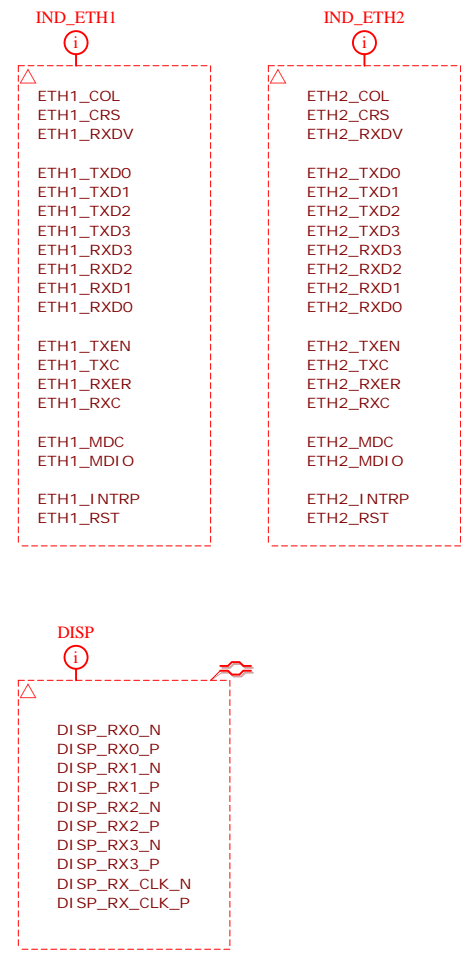
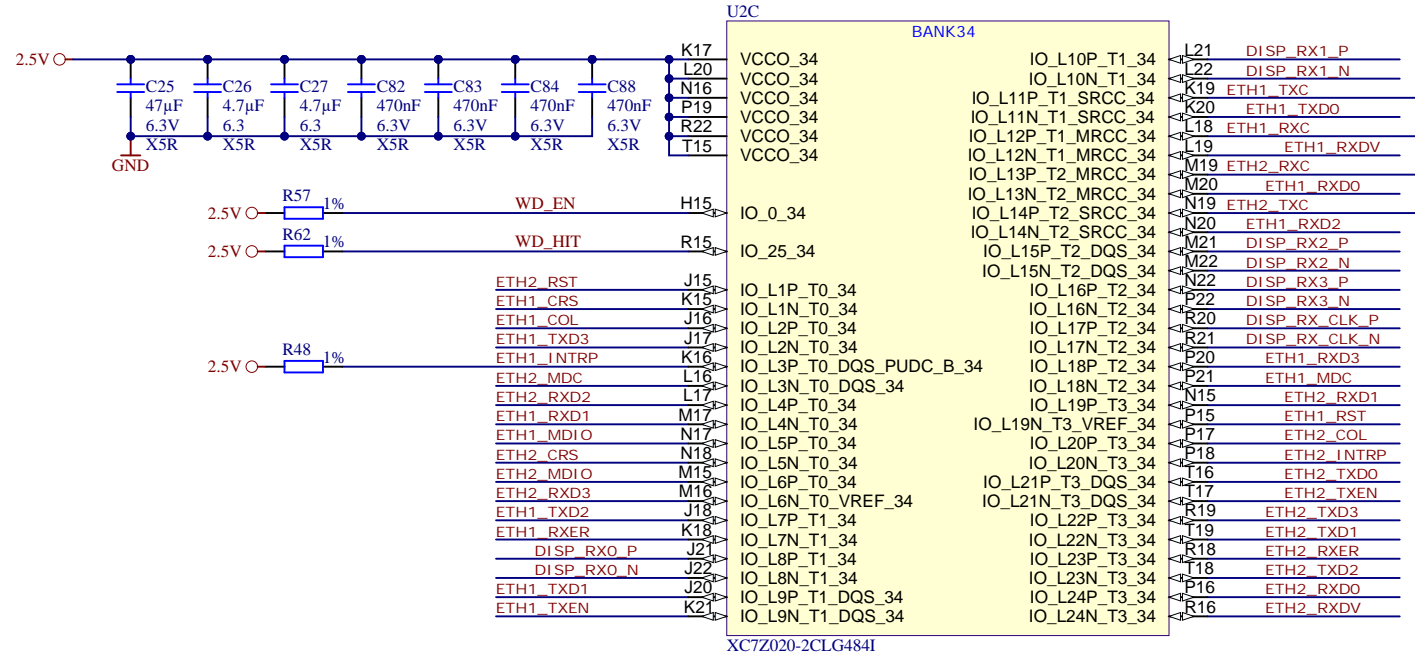
Title: TE0729 - ZYNQ_MIO_B500		
A4	Number: TE0729 62165FM	Rev. 02
Date: 2016-05-02	Copyright: Trenz Electronic GmbH / TT	Page5 of 21
Filename: MIO_B500.SchDoc		



	Title: TE0729 - ZYNQ_B13		
	A4	Number: TE0729 62I65FM	Rev. 02
	Date: 2016-05-02	Copyright: Trenz Electronic GmbH / TT	Page6 of 21
	Filename: B13.SchDoc		

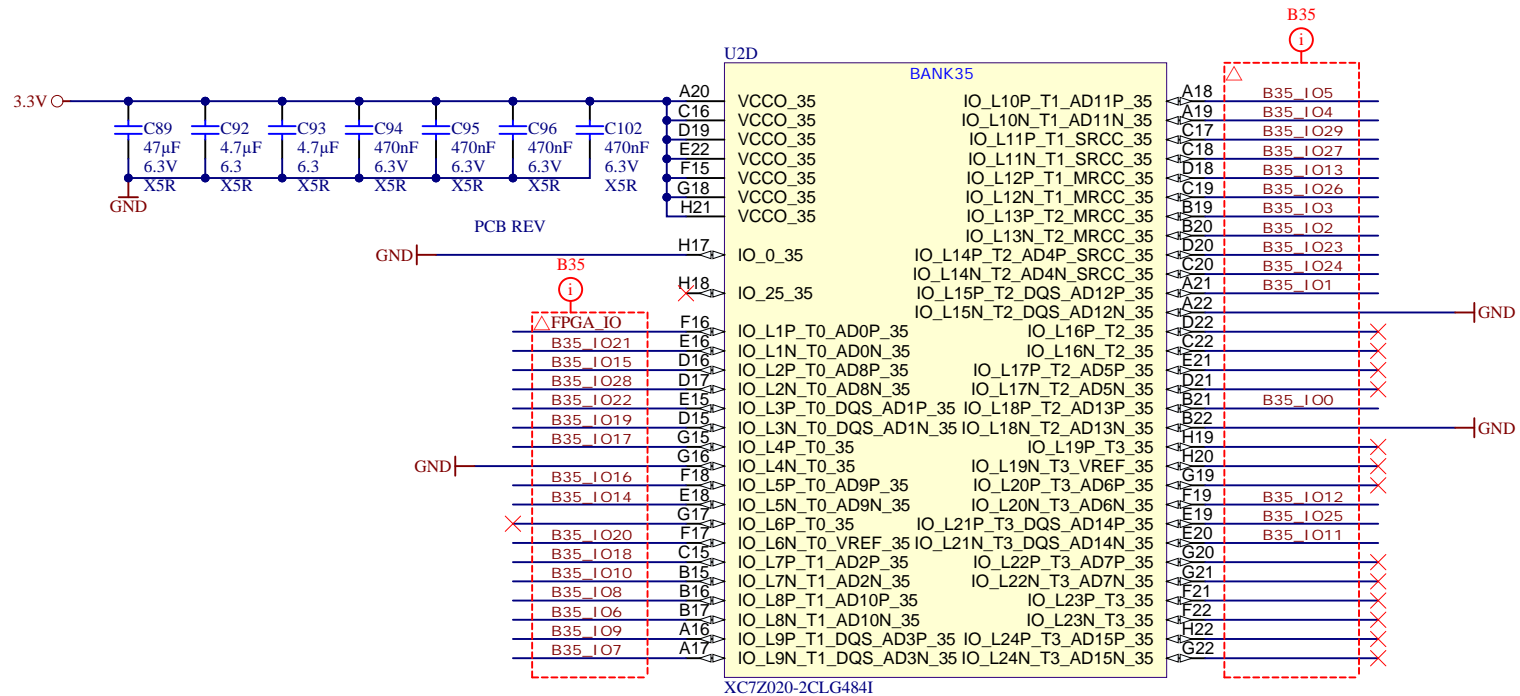


Title: TE0729 - ZYNQ_B33		
A4	Number: TE0729 62I65FM	Rev. 02
Date: 2016-05-02	Copyright: Trenz Electronic GmbH / TT	Page 7 of 21
Filename: B33.SchDoc		

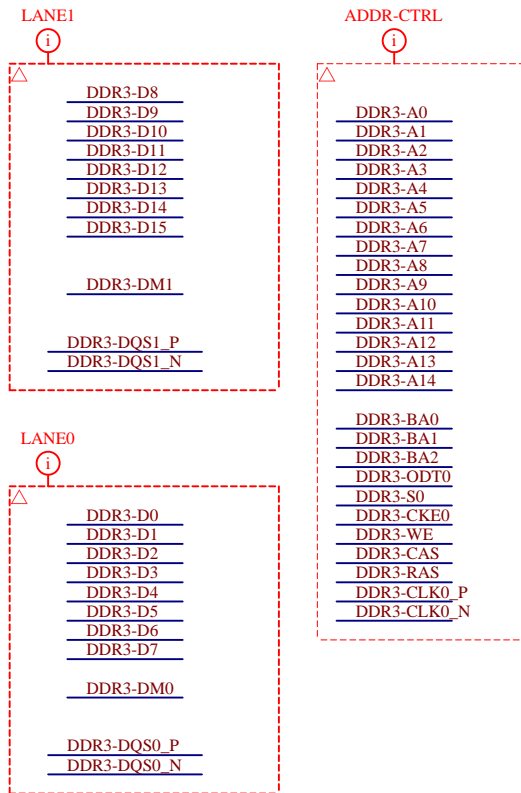
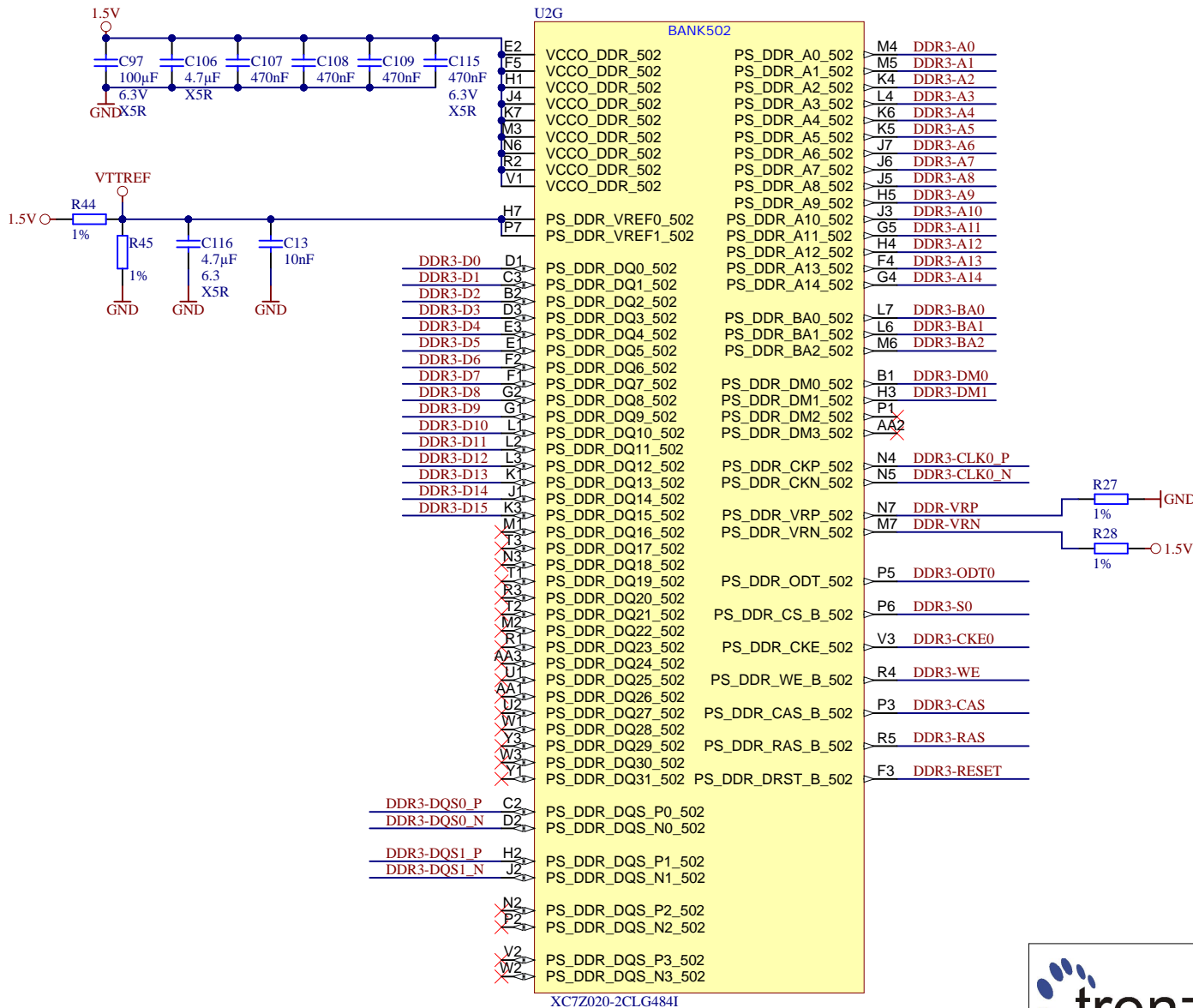



trenz electronic

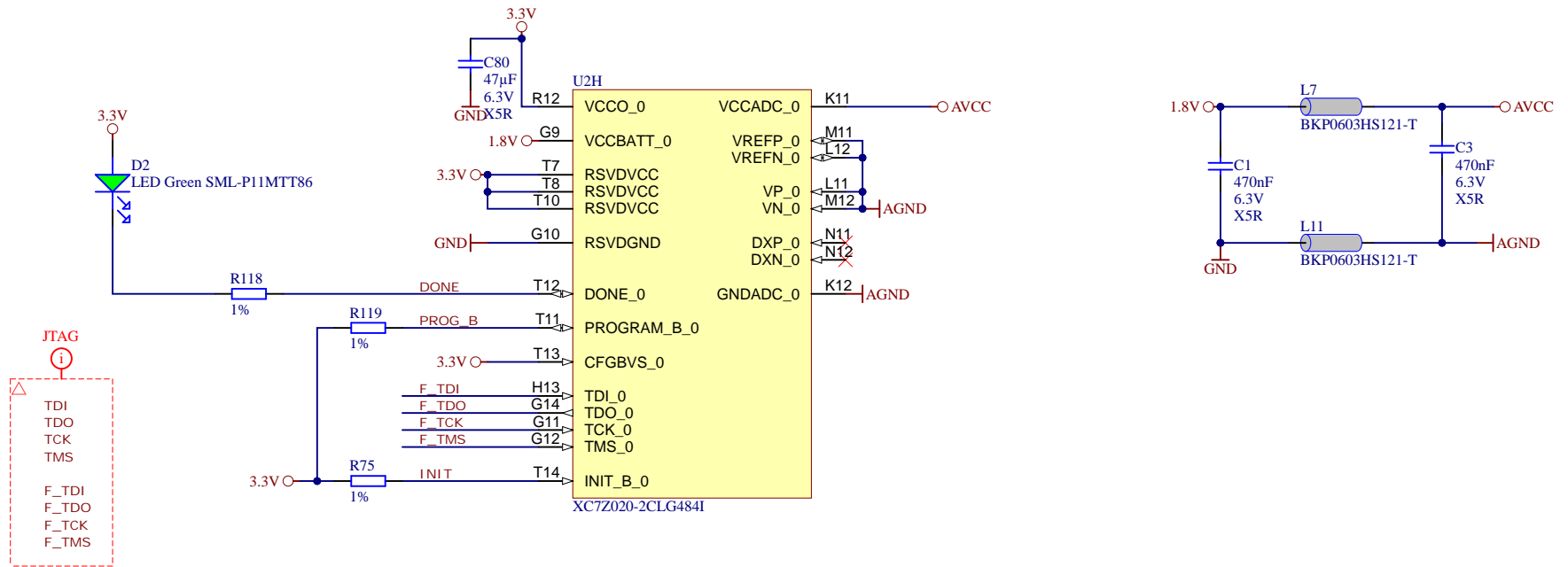
Title: TE0729 - ZYNQ_B34		
A4	Number: TE0729 62I65FM	Rev. 02
Date: 2016-05-02	Copyright: Trenz Electronic GmbH / TT	Page 8 of 21
Filename: B34.SchDoc		




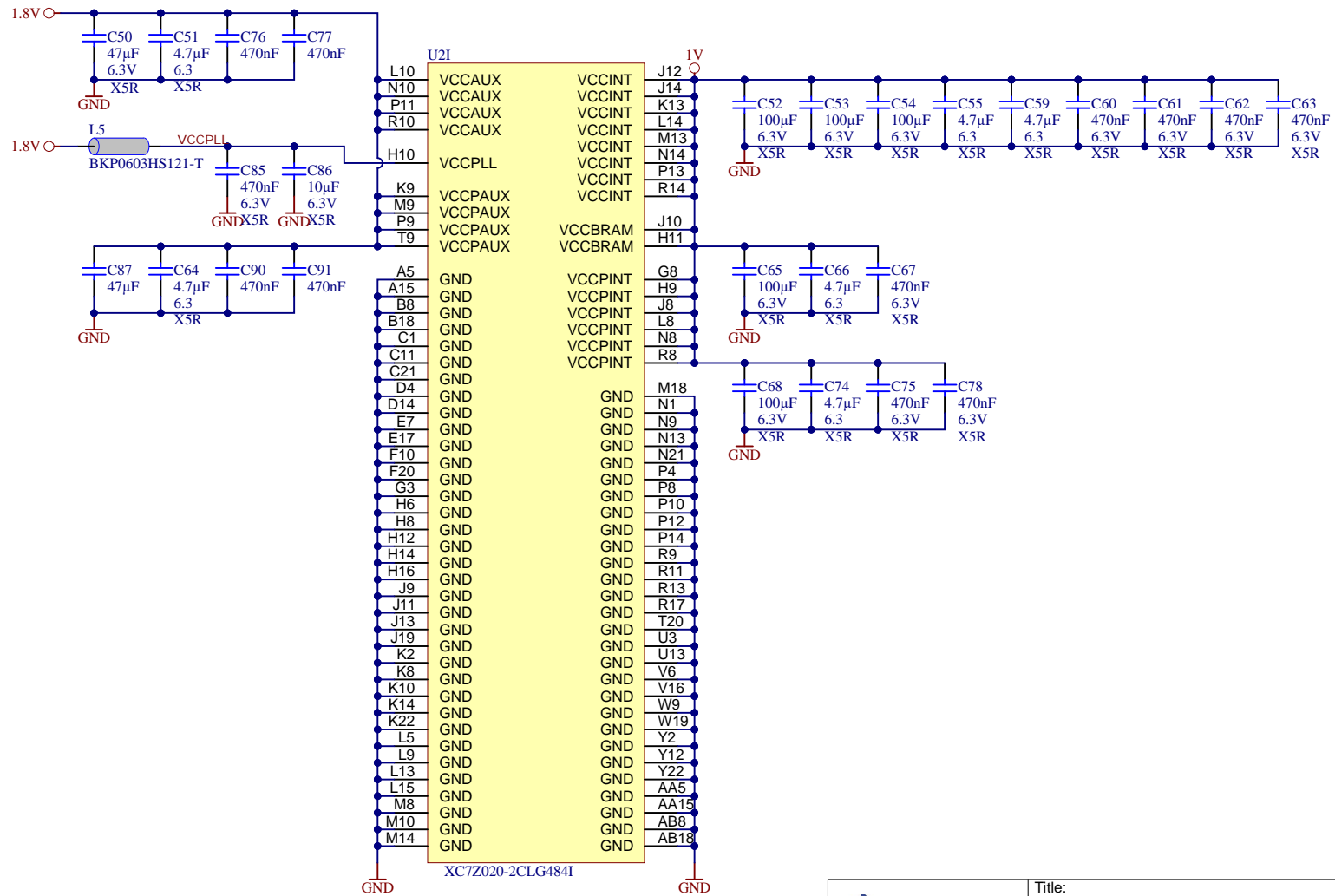
Title: TE0729 - ZYNQ_B35		
A4	Number: TE0729 62I65FM	Rev. 02
Date: 2016-05-02	Copyright: Trenz Electronic GmbH / TT	Page 9 of 21
Filename: B35.SchDoc		




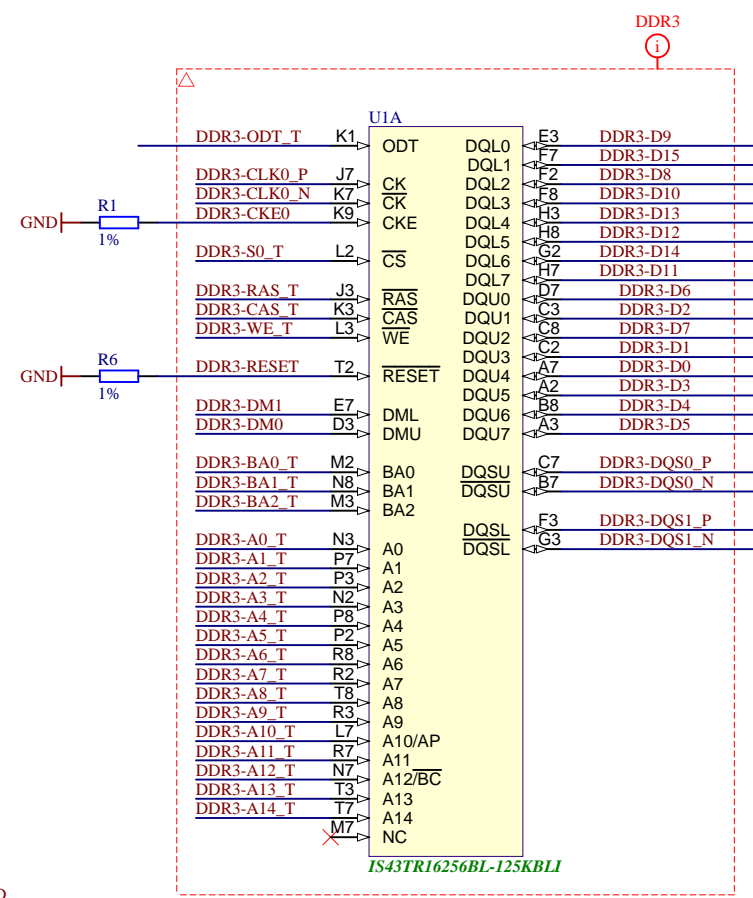
		Title: TE0729 - ZYNQ_PS_DDR	
		A4	Number: TE0729 62I65FM
Date: 2016-05-02		Copyright: Trenz Electronic GmbH / TT	
Filename: PS-DDR.SchDoc		Page 10 of 21	



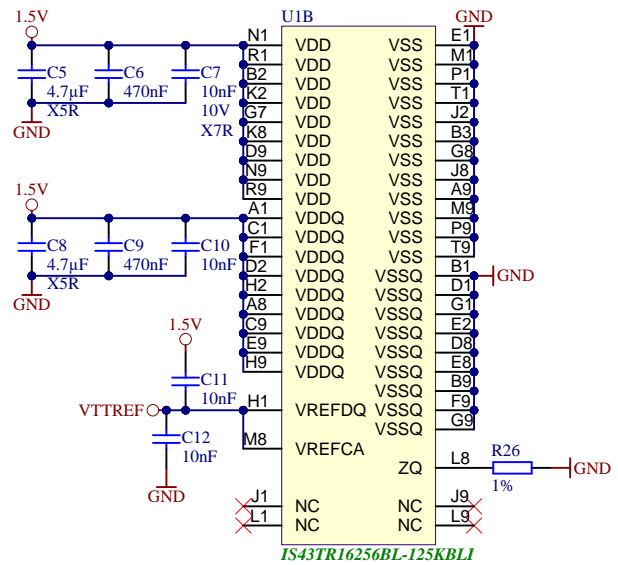
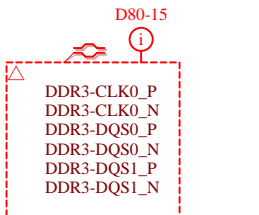
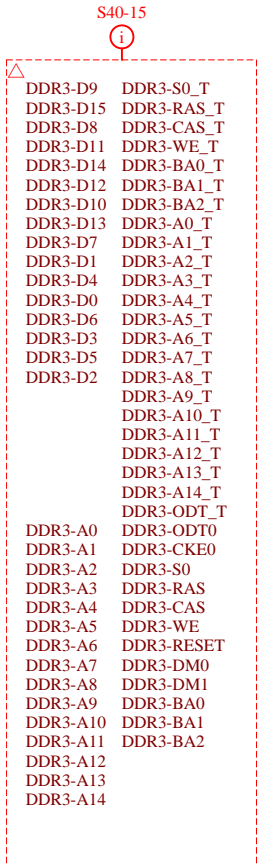
	Title: TE0729 - ZYNQ_MISC	
	A4	Number: TE0729 62I65FM
	Date: 2016-05-02	Copyright: Trenz Electronic GmbH / TT
	Rev. 02	Page 11 of 21
Filename: ZYNQ_MISC.SchDoc		



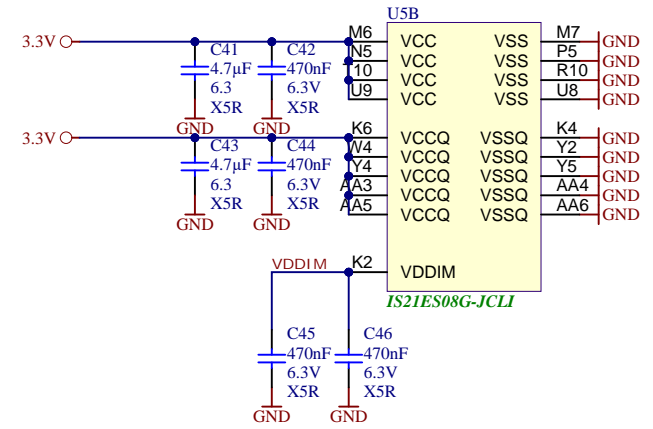
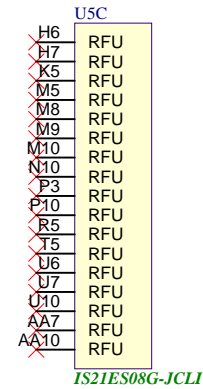
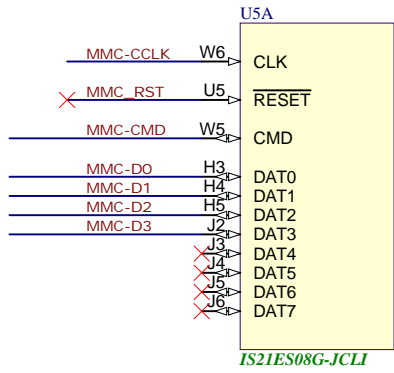
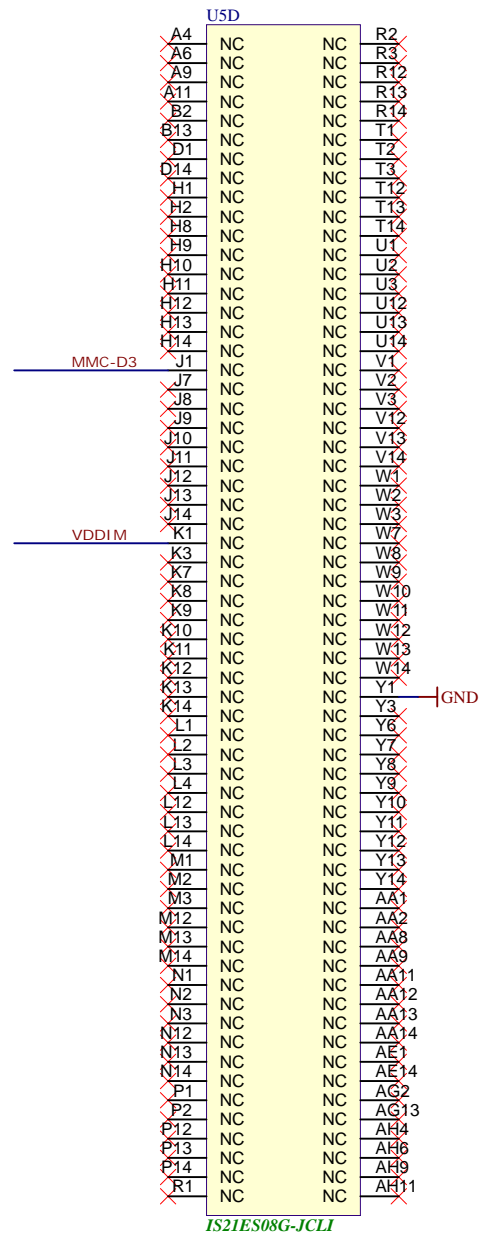
		Title: TE0729 - ZYNQ_Power	
		A4	Number: TE0729 62I65FM
Date: 2016-05-02		Copyright: Trenz Electronic GmbH / TT	
Page 12 of 21		Page 12 of 21	
Filename: ZYNC_POWER.SchDoc			



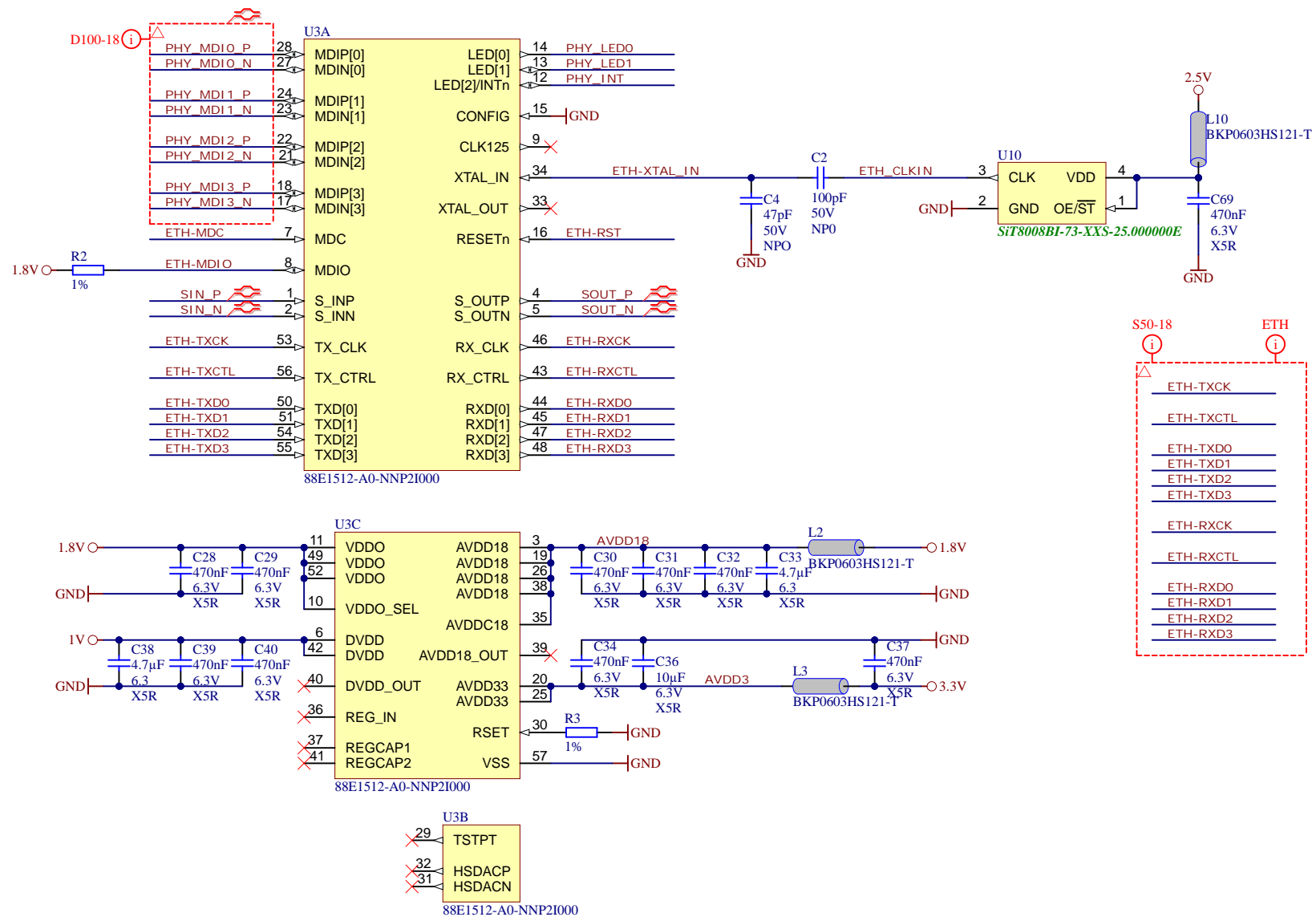
DDR3-ODT0	R68	DDR3-ODT_T
DDR3-S0	R102	DDR3-S0_T
DDR3-RAS	R103	DDR3-RAS_T
DDR3-CAS	R4	DDR3-CAS_T
DDR3-WE	R5	DDR3-WE_T
DDR3-BA0	R7	DDR3-BA0_T
DDR3-BA1	R97	DDR3-BA1_T
DDR3-BA2	R9	DDR3-BA2_T
DDR3-A0	R96	DDR3-A0_T
DDR3-A1	R106	DDR3-A1_T
DDR3-A2	R12	DDR3-A2_T
DDR3-A3	R107	DDR3-A3_T
DDR3-A4	R14	DDR3-A4_T
DDR3-A5	R110	DDR3-A5_T
DDR3-A6	R16	DDR3-A6_T
DDR3-A7	R17	DDR3-A7_T
DDR3-A8	R111	DDR3-A8_T
DDR3-A9	R19	DDR3-A9_T
DDR3-A10	R20	DDR3-A10_T
DDR3-A11	R21	DDR3-A11_T
DDR3-A12	R22	DDR3-A12_T
DDR3-A13	R23	DDR3-A13_T
DDR3-A14	R24	DDR3-A14_T



Title: TE0729 - DDR3		
A4	Number: TE0729 62165FM	Rev. 02
Date: 2016-05-02	Copyright: Trenz Electronic GmbH / TT	Page 13 of 21
Filename: DDR-RAM.SchDoc		



Title: TE0729 - eMMC		
A4	Number: TE0729 62165FM	Rev. 02
Date: 2016-05-02	Copyright: Trenz Electronic GmbH / TT	Page 14 of 21
Filename: eMMC.SchDoc		



Title: TE0729 - ETH_PHY		
A4	Number: TE0729 62165FM	Rev. 02
Date: 2016-05-02	Copyright: Trenz Electronic GmbH / TT	Page 15 of 21
Filename: ETH-PHY.SchDoc		

1

2

3

4

A

A

B

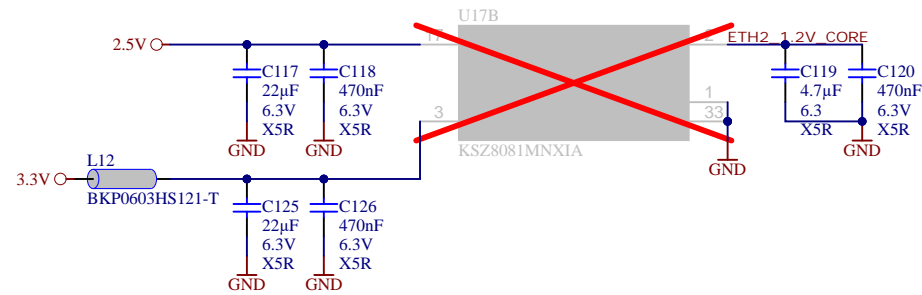
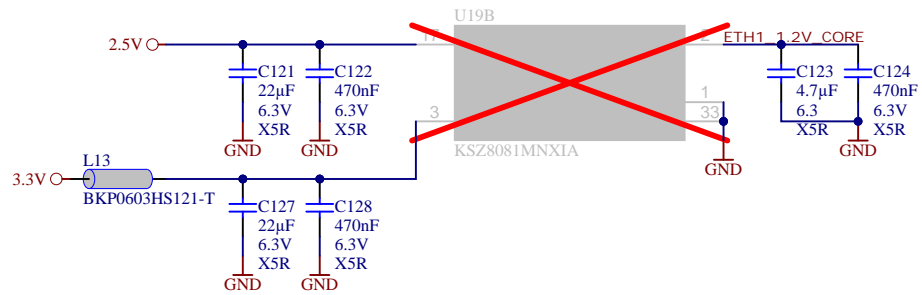
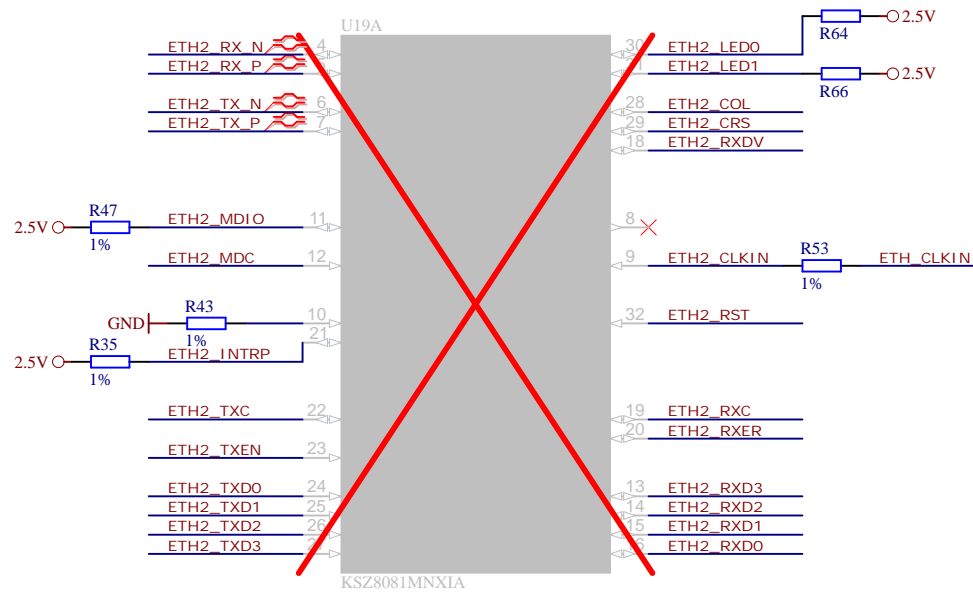
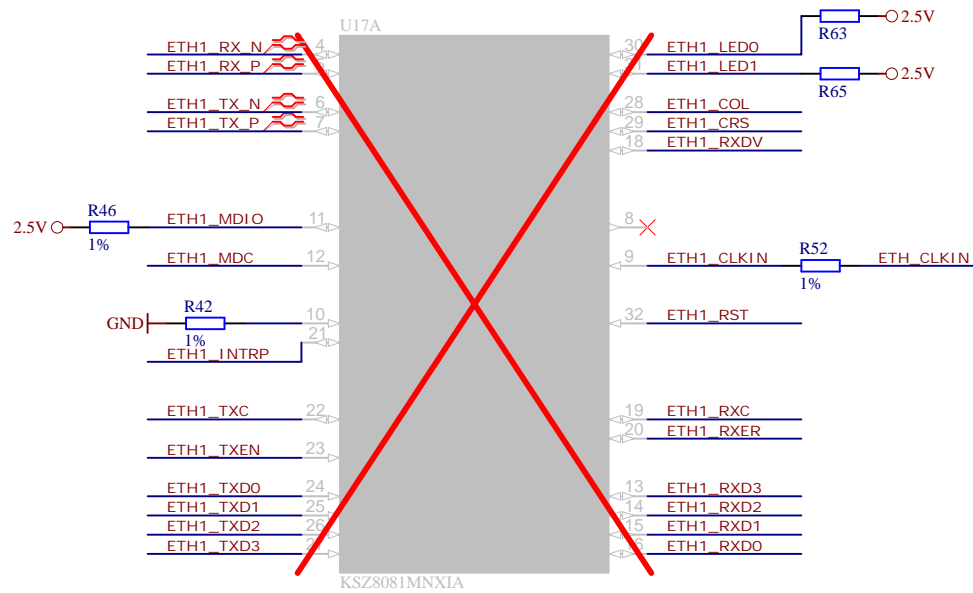
B

C

C

D

D



Title: TE0729 - IND_ETH_PHY		
A4	Number: TE0729 62I65FM	Rev. 02
Date: 2016-05-02	Copyright: Trenz Electronic GmbH / TT	Page 16 of 21
Filename: IND_ETH-PHY.SchDoc		

1

2

3

4

1

2

3

4

A

A

B

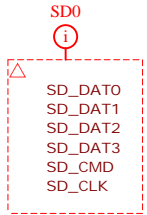
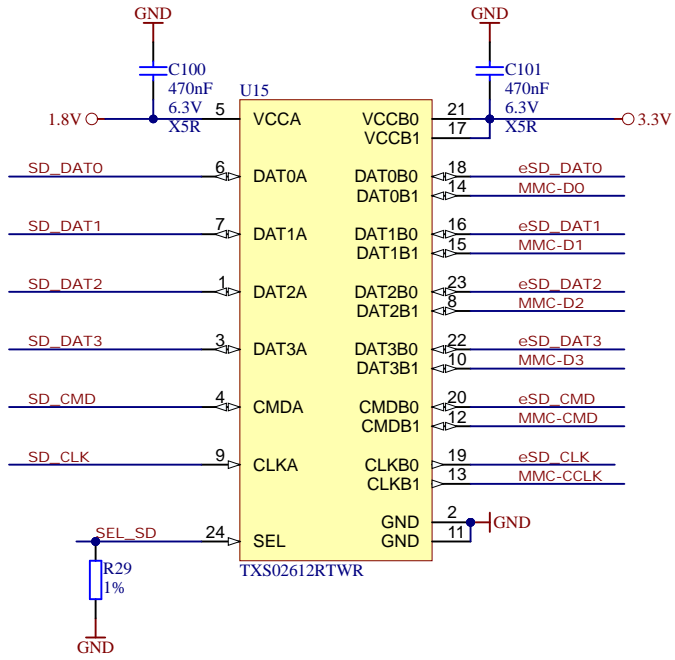
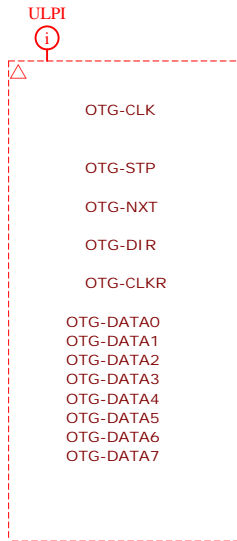
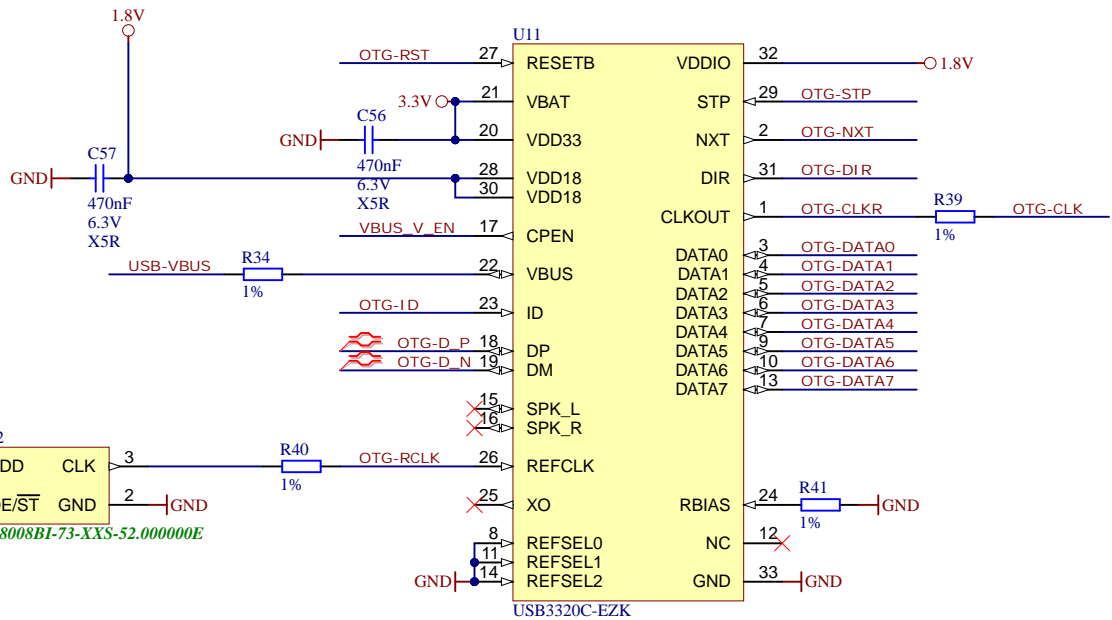
B

C

C

D

D



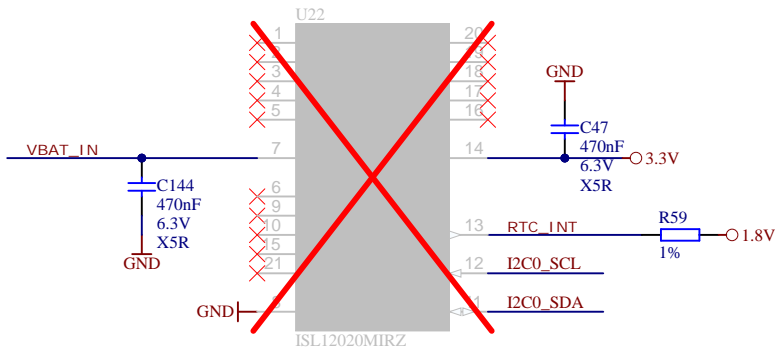
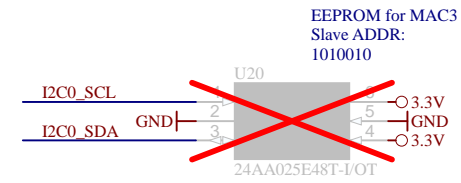
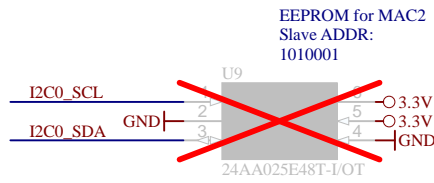
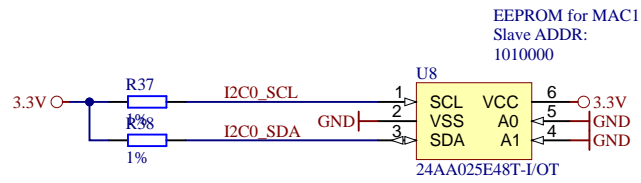
Title: TE0729 - USB_PHY		
A4	Number: TE0729 62I65FM	Rev. 02
Date: 2014-03-05	Copyright: Trenz Electronic GmbH / TT	Page 17 of 21
Filename: USB-PHY.SchDoc		

1

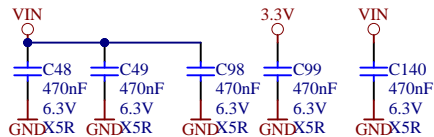
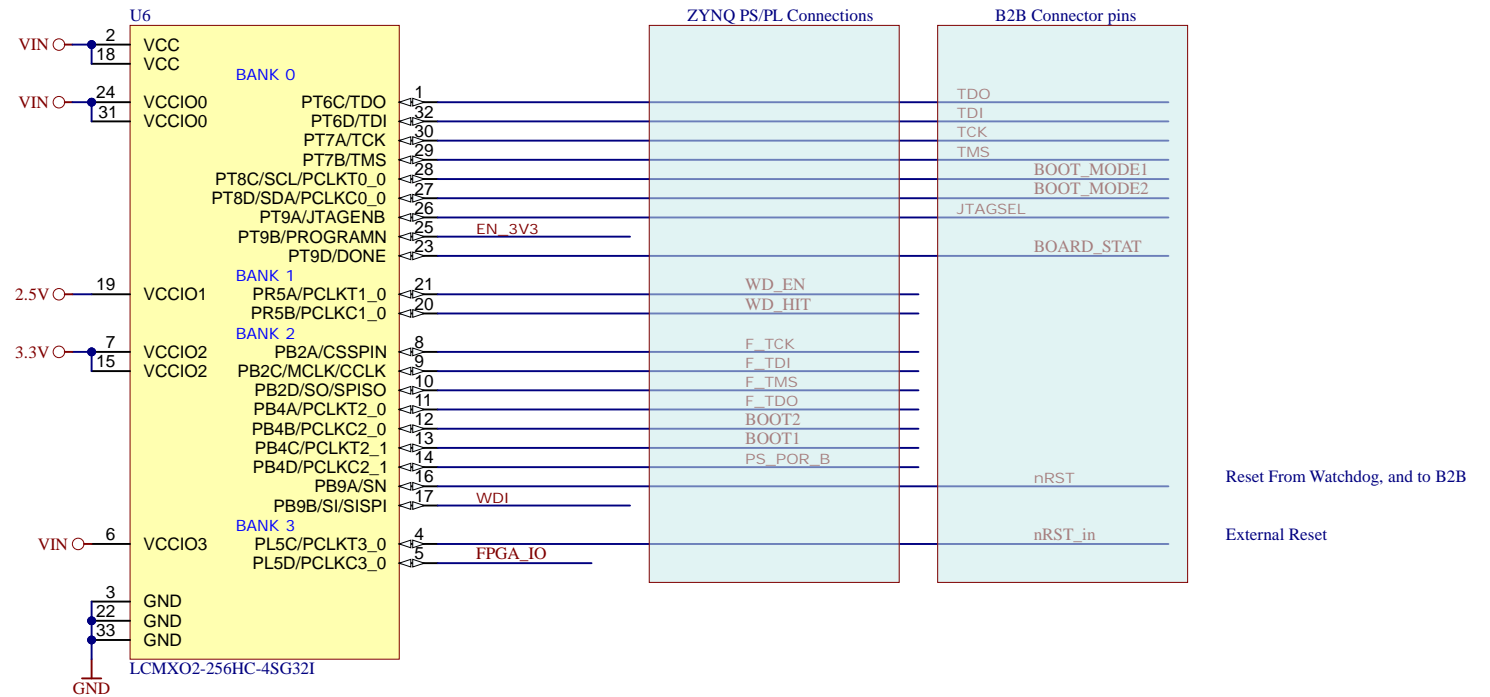
2


3

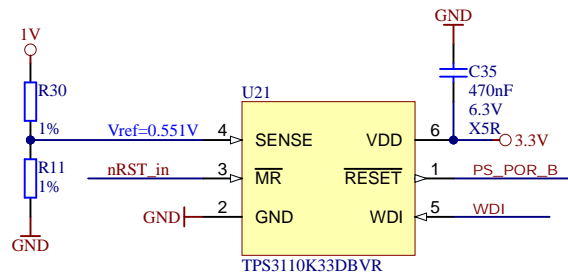
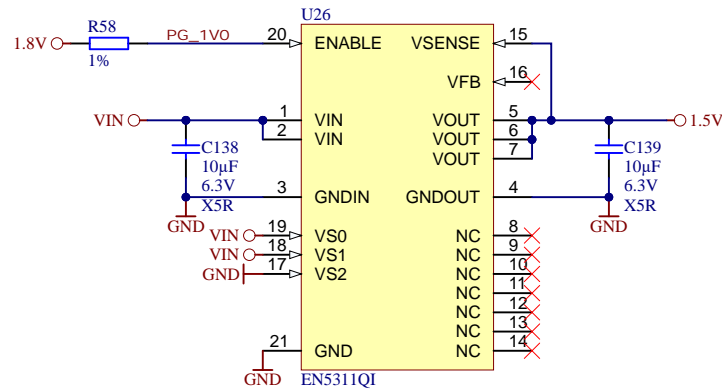
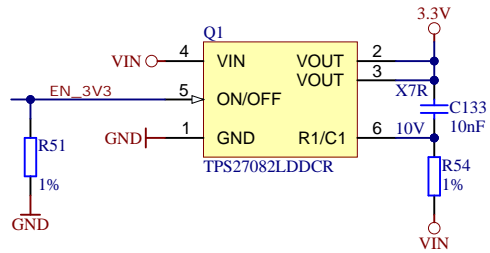
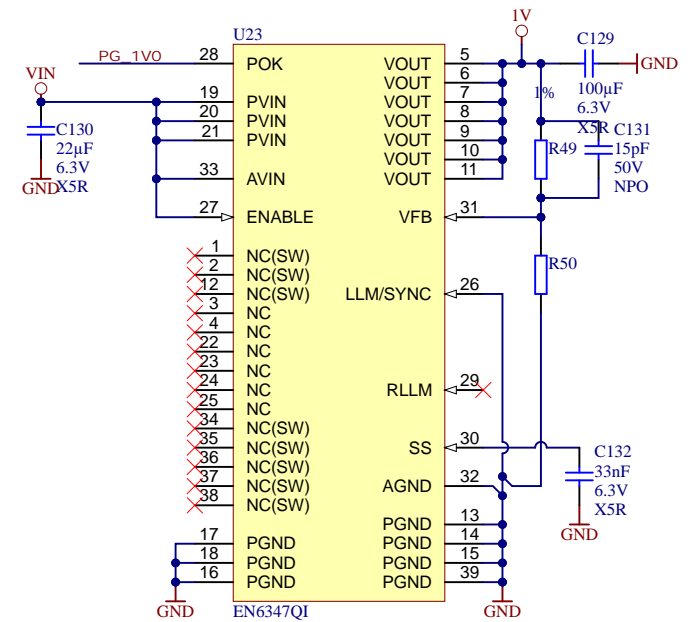
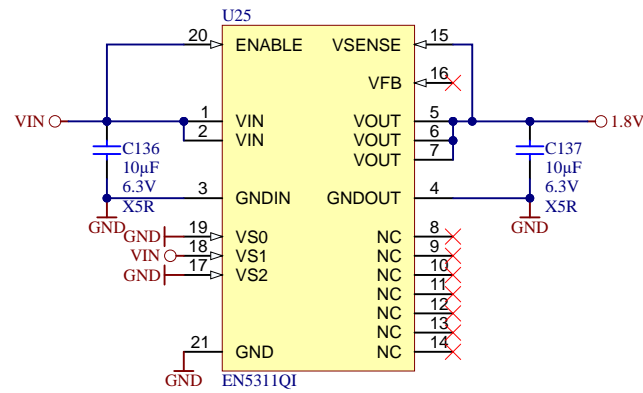
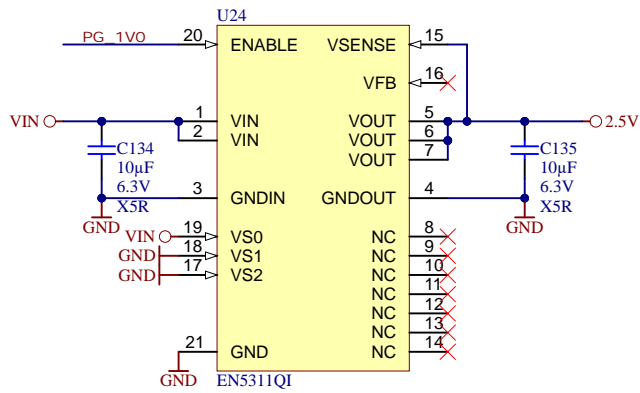
4



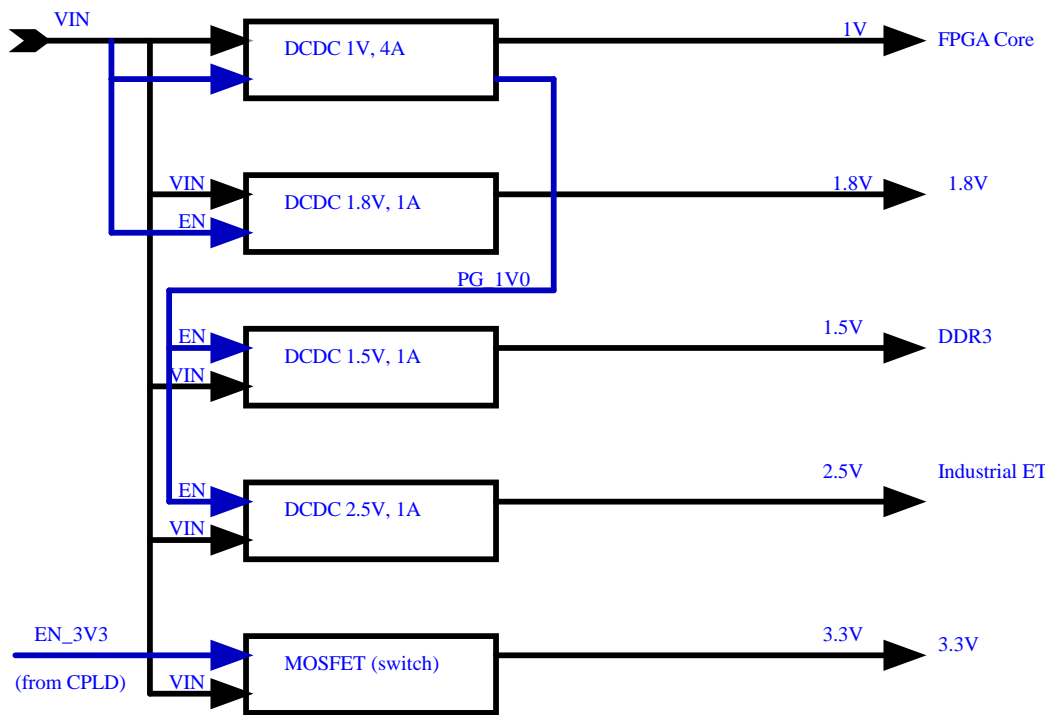
	Title: TE0729 - RTC		
	A4	Number: TE0729 62I65FM	Rev. 02
	Date: 2014-03-05	Copyright: Trenz Electronic GmbH / TT	Page 18 of 21
	Filename: SENSOR-RTC.SchDoc		



			Title: TE0729 - CPLD	
			A4	Number: TE0729 62165FM
Date: 2016-05-02		Copyright: Trenz Electronic GmbH / TT		Page 19 of 21
Filename: CPLD.SchDoc				



Title: TE0729 - Power		
A4	Number: TE0729 62165FM	Rev. 02
Date: 2016-05-02	Copyright: Trenz Electronic GmbH / TT	Page 20 of 21
Filename: Power.SchDoc		



Title: TE0729 - Power overview		
A4	Number: TE0729 62165FM	Rev. 02
Date: 2016-05-02	Copyright: Trenz Electronic GmbH	Page21 of 21
Filename: PowerOverview.SchDoc		