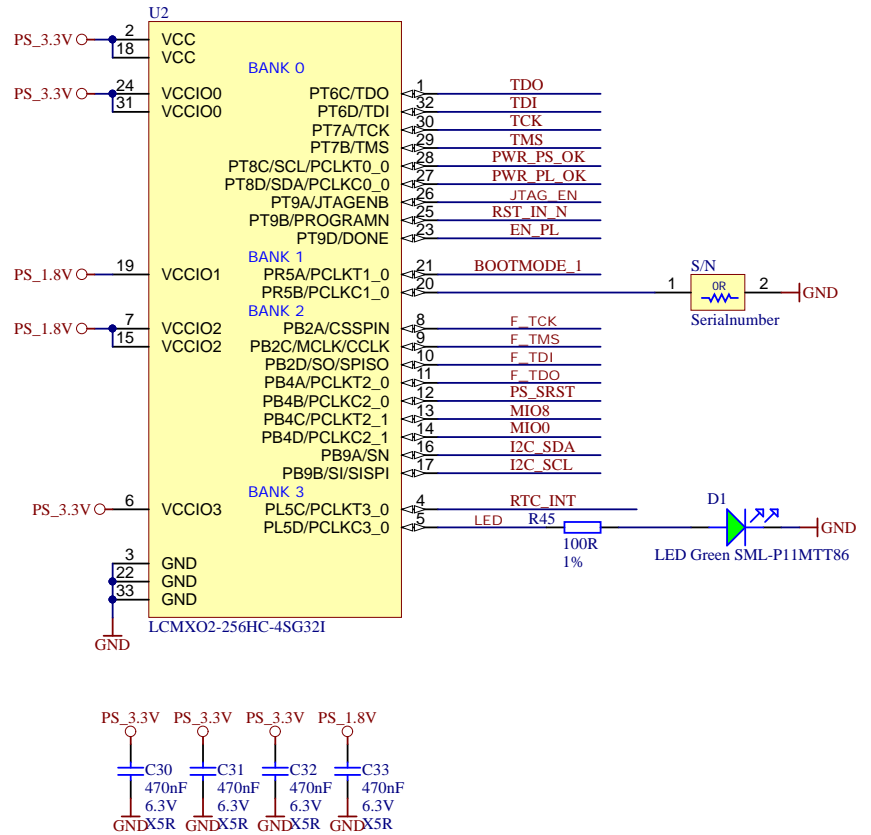
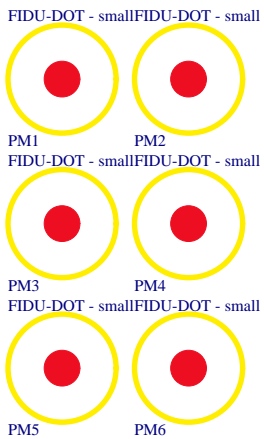
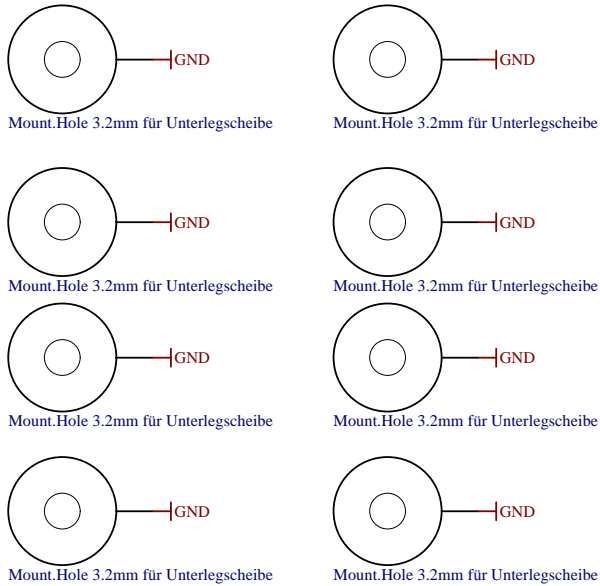
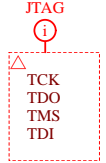
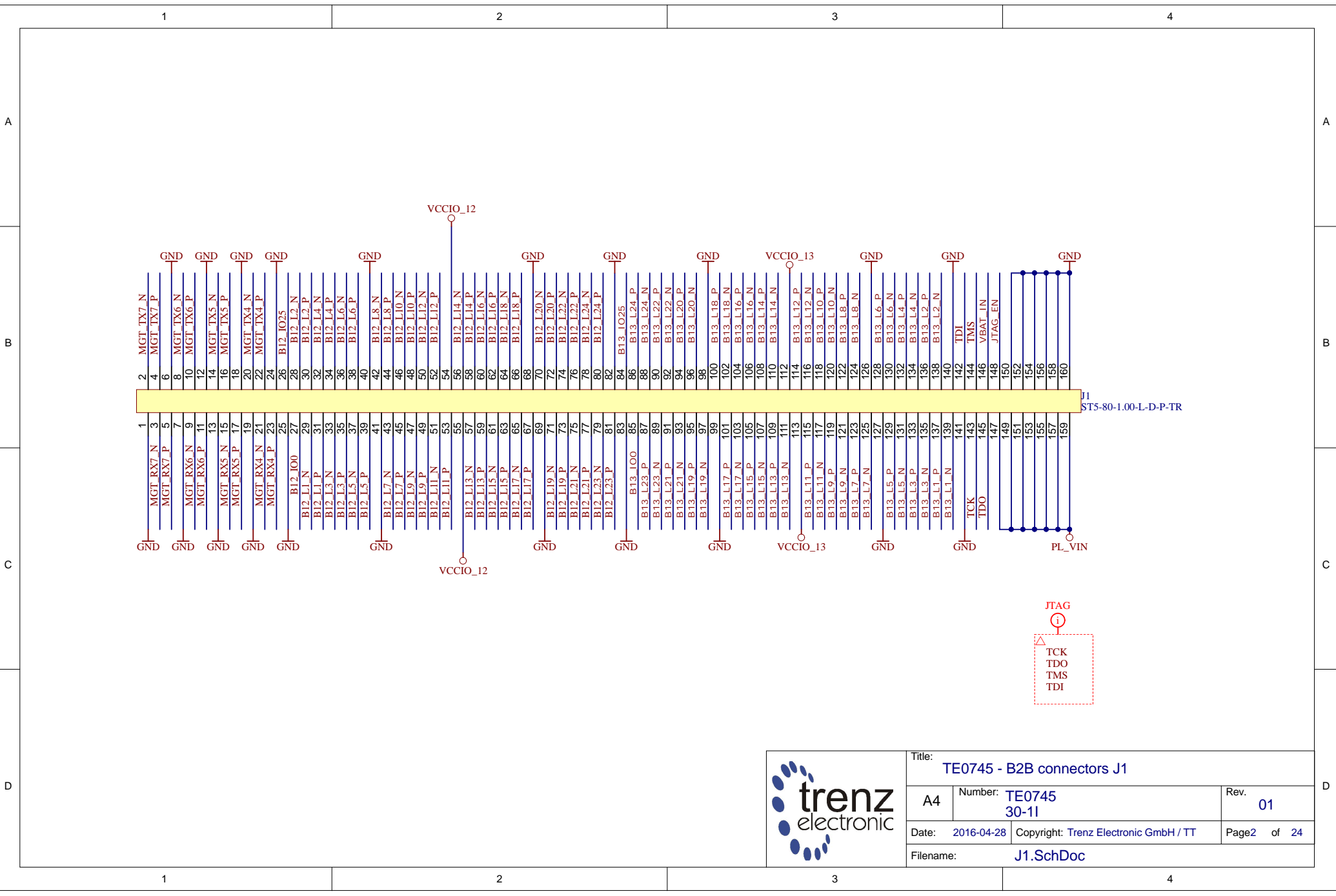



Serial
Serialnummer 6,3 x 6,3mm

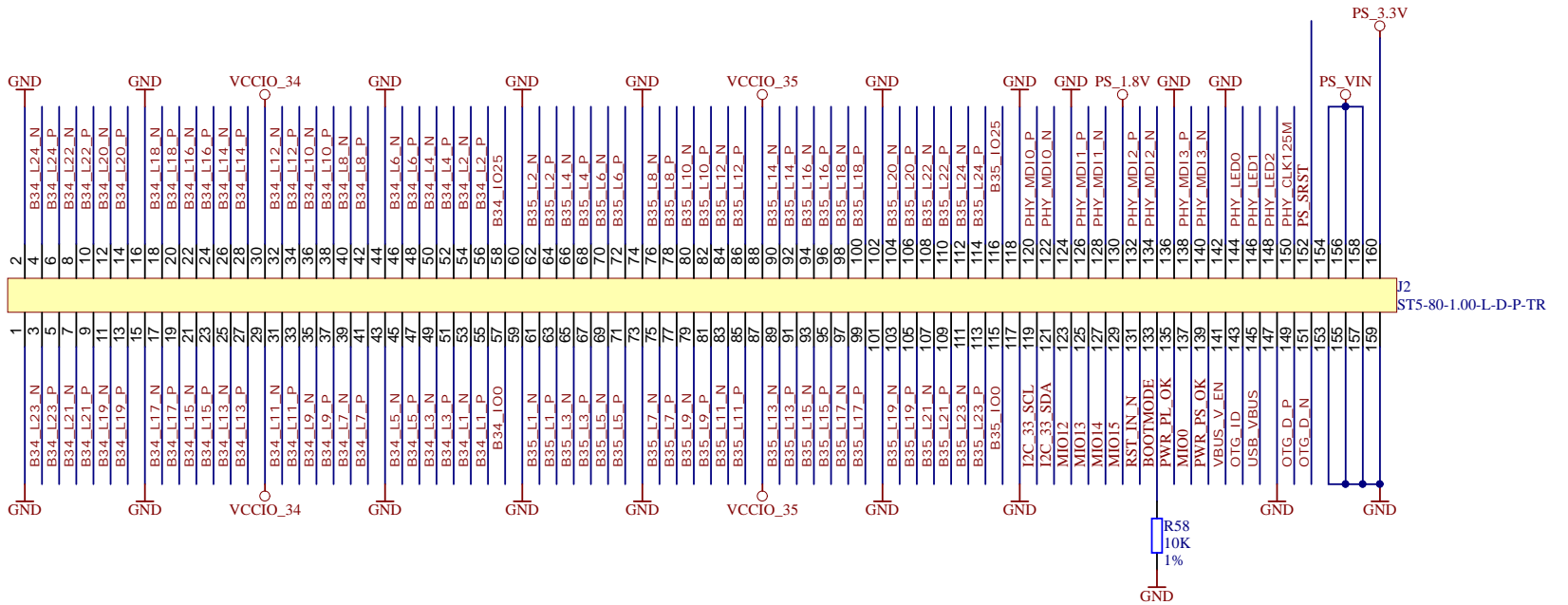
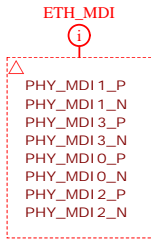
LOGO1
TE Logo PRINT Layer
LOGO PRINT



	Title: TE0745	
	A4	Number: TE0745 30-11
	Date: 2016-04-28	Rev. 01
	Copyright: Trenz Electronic GmbH / TT	Page1 of 24
Filename: TE0745.SchDoc		



		Title: TE0745 - B2B connectors J1	
		A4	Number: TE0745 30-11
Date: 2016-04-28		Copyright: Trenz Electronic GmbH / TT	
Filename: J1.SchDoc		Page2 of 24	



Title: TE0745 - B2B connectors J2		
A4	Number: TE0745 30-11	Rev. 01
Date: 2016-04-28	Copyright: Trenz Electronic GmbH / TT	Page3 of 24
Filename: J2.SchDoc		

1

2

3

4

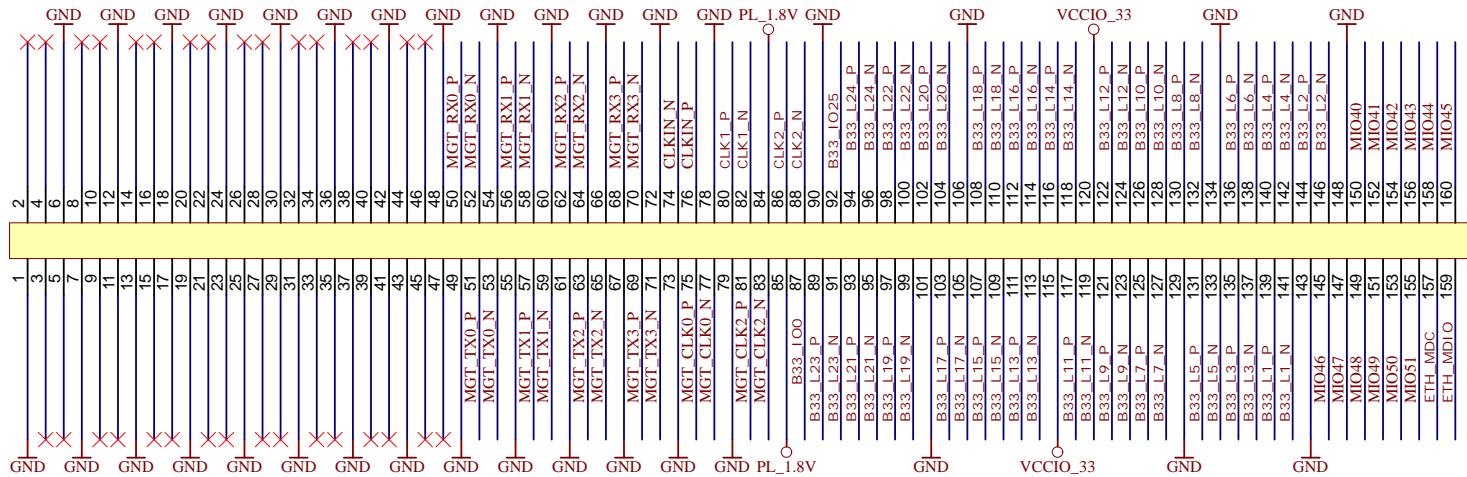
A

B

C

D

RESERVED for additional 8 GTX lanes



J3
ST5-80-1.00-L-D-P-TR



Title: TE0745 - B2B connectors J3		
A4	Number: TE0745 30-11	Rev. 01
Date: 2016-04-28	Copyright: Trenz Electronic GmbH / TT	Page4 of 24
Filename: J3.SchDoc		

1

2

3

4

A

B

C

D

1

2

3

4

U_B12
B12.SchDoc



U_B500
MIO_B500.SchDoc



U_B13
B13.SchDoc



U_PS_DDR
PS-DDR.SchDoc



U_B33
B33.SchDoc



U_MISC
ZYNQ_MISC.SchDoc



U_B34
B34.SchDoc



U_ZYNQ_POWER
ZYNQ_POWER.SchDoc



U_B35
B35.SchDoc



U_FPGA_MGT
FPGA_MGT.SchDoc



1

2

3

4



Title: TE0745 - Zynq		
A4	Number: TE0745 30-11	Rev. 01
Date: 2016-04-28	Copyright: Trenz Electronic GmbH / TT	Page5 of 24
Filename: ZYNQ.SchDoc		

A

A

B

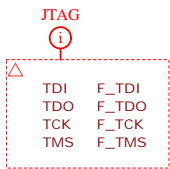
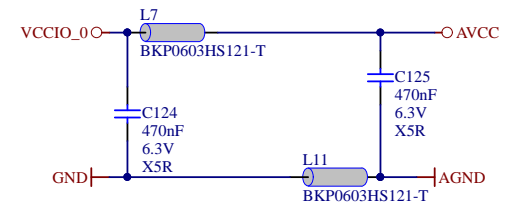
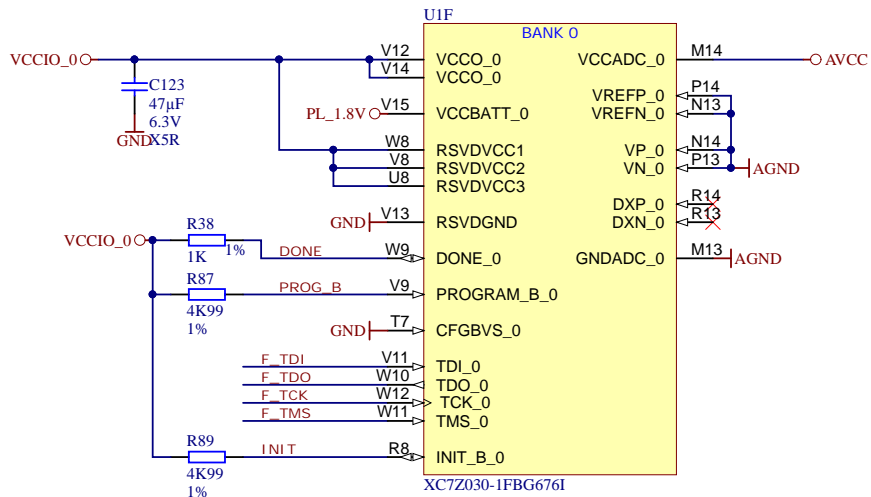
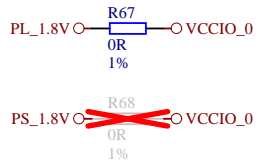
B


C

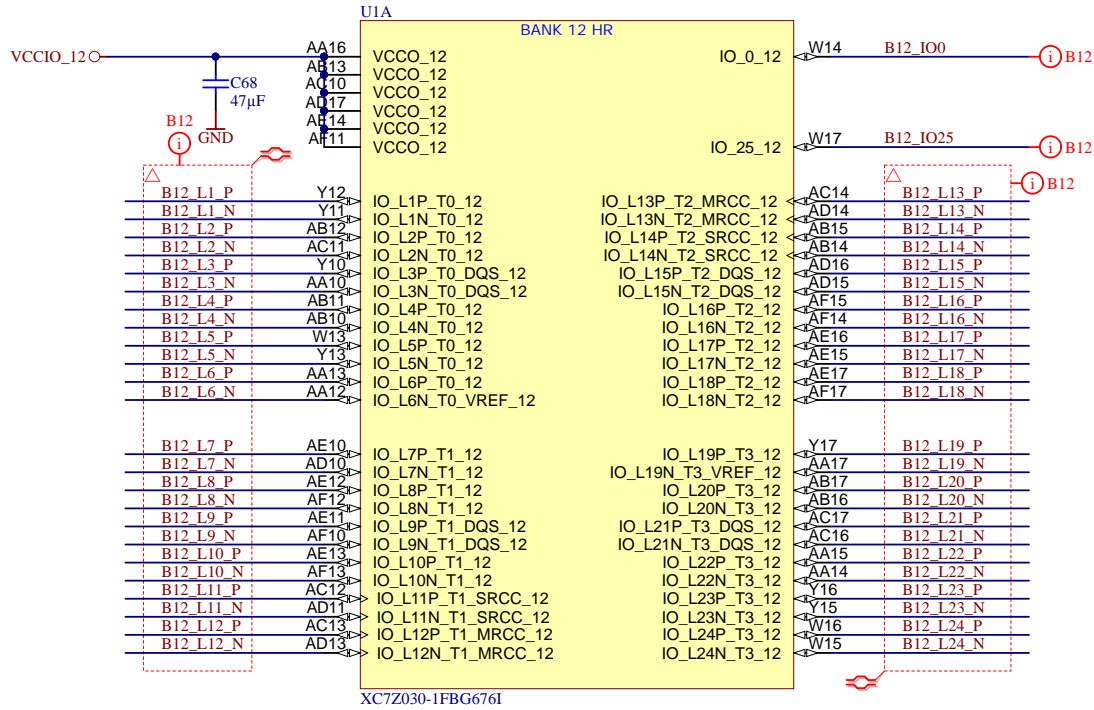
C

D

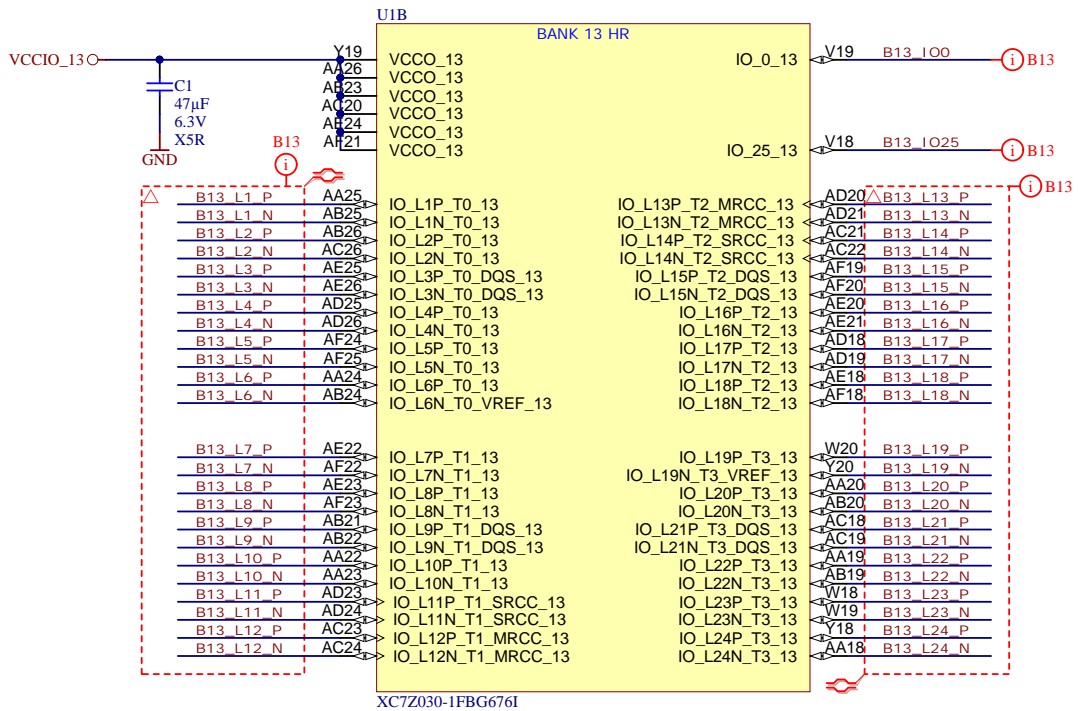
D



		Title: TE0745 - Zynq_MISC	
		A4	Number: TE0745 30-11
Date: 2016-04-28		Copyright: Trenz Electronic GmbH / TT	
Filename: ZYNQ_MISC.SchDoc		Page6 of 24	



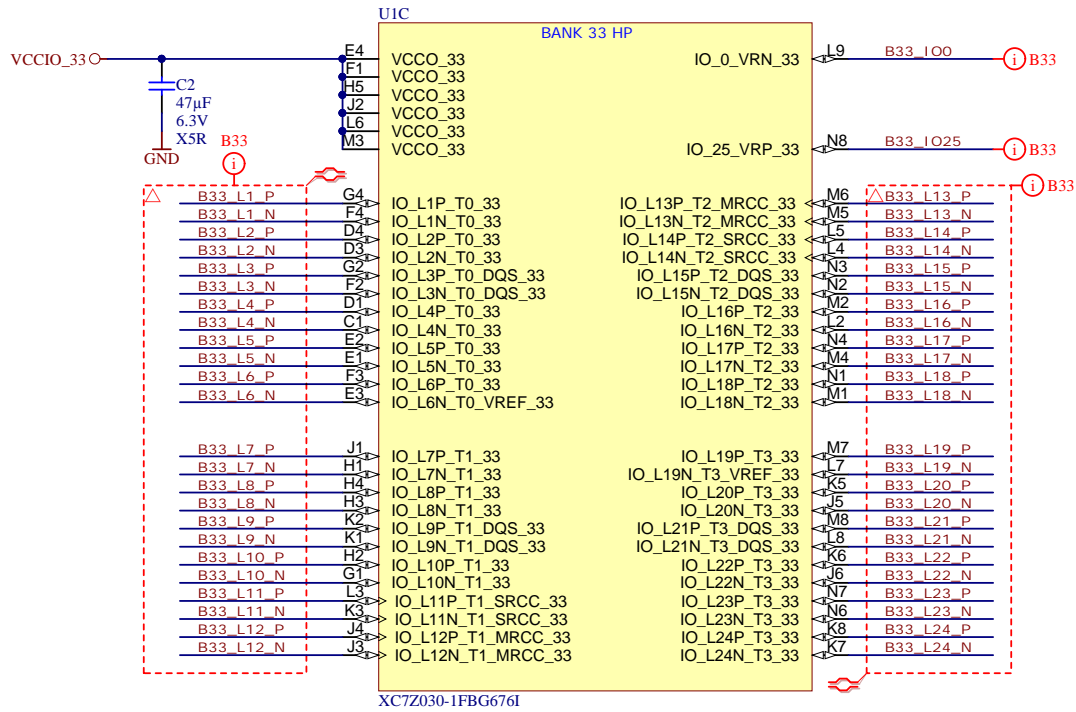
	Title: TE0745 - Zynq_B12	
	A4	Number: TE0745 30-11
	Date: 2016-04-28	Copyright: Trenz Electronic GmbH / TT
	Filename: B12.SchDoc	Rev. 01
		Page 7 of 24



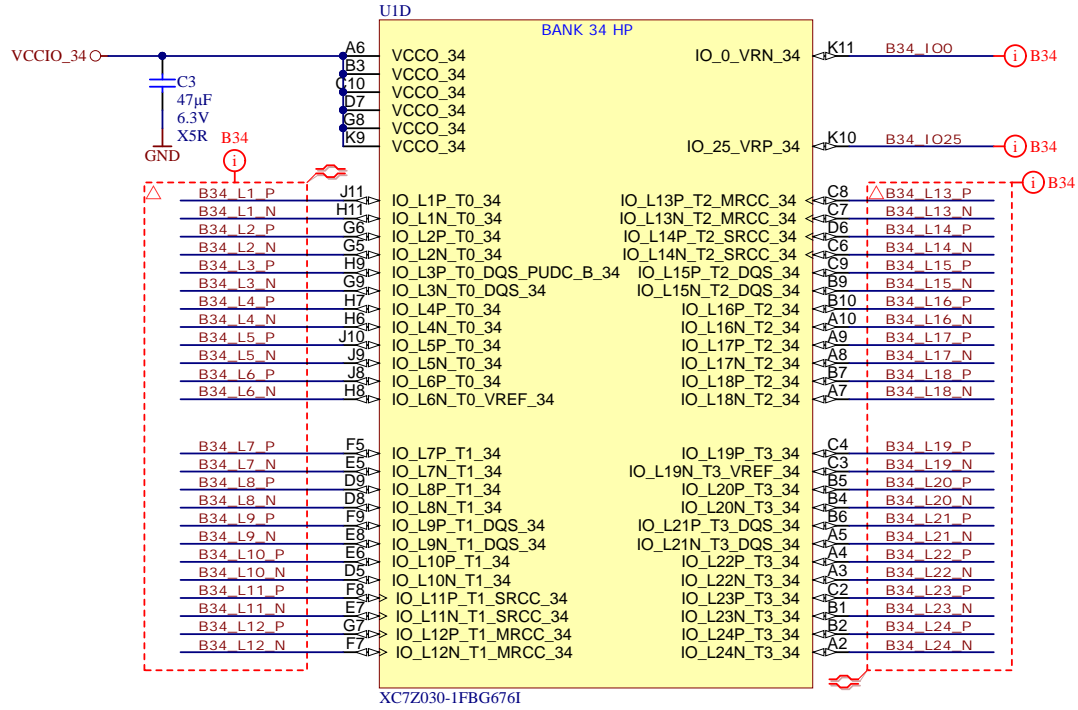
XC7Z030-1FBG6761



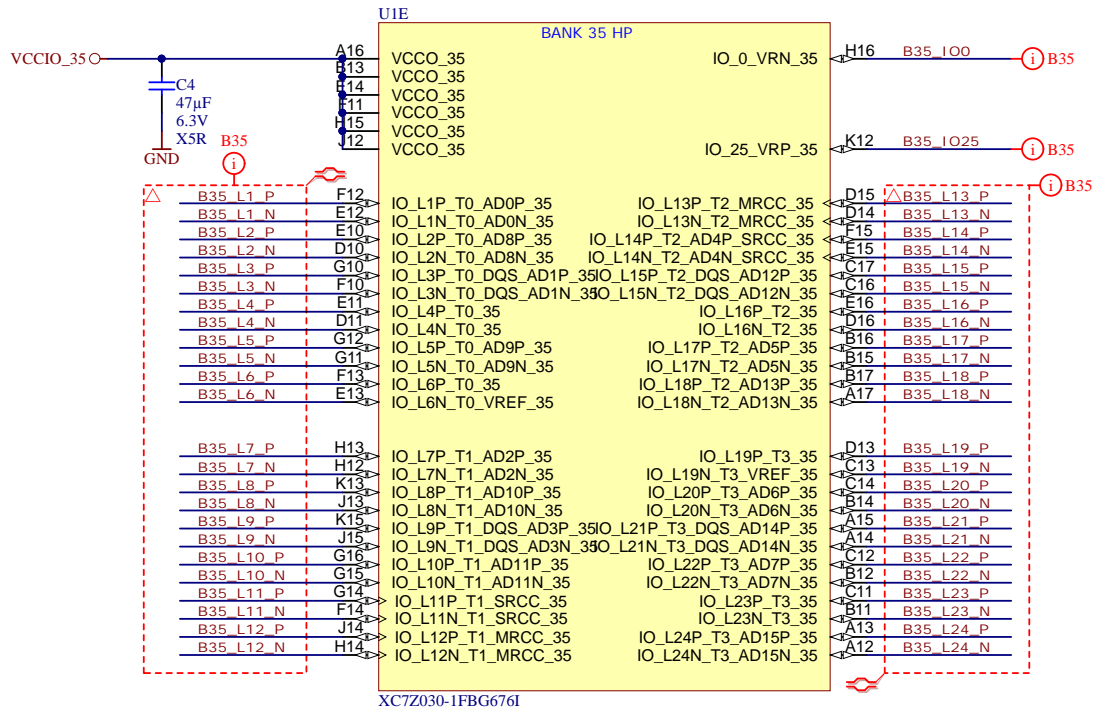
Title: TE0745 - Zynq_B13		
A4	Number: TE0745 30-11	Rev. 01
Date: 2016-04-28	Copyright: Trenz Electronic GmbH / TT	Page8 of 24
Filename: B13.SchDoc		



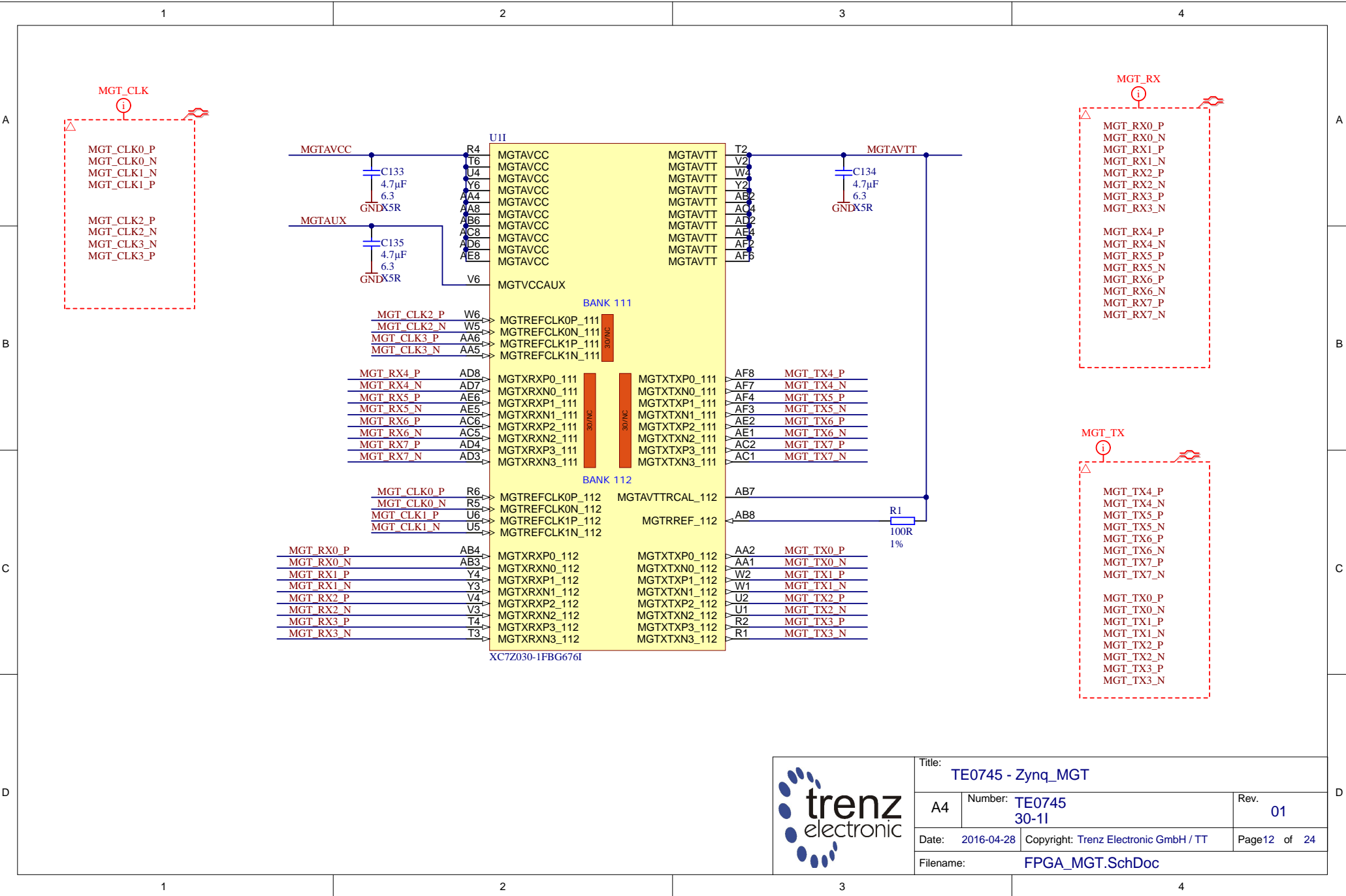
Title: TE0745 - Zynq_B33		
A4	Number: TE0745 30-11	Rev. 01
Date: 2016-04-28	Copyright: Trenz Electronic GmbH / TT	Page9 of 24
Filename: B33.SchDoc		



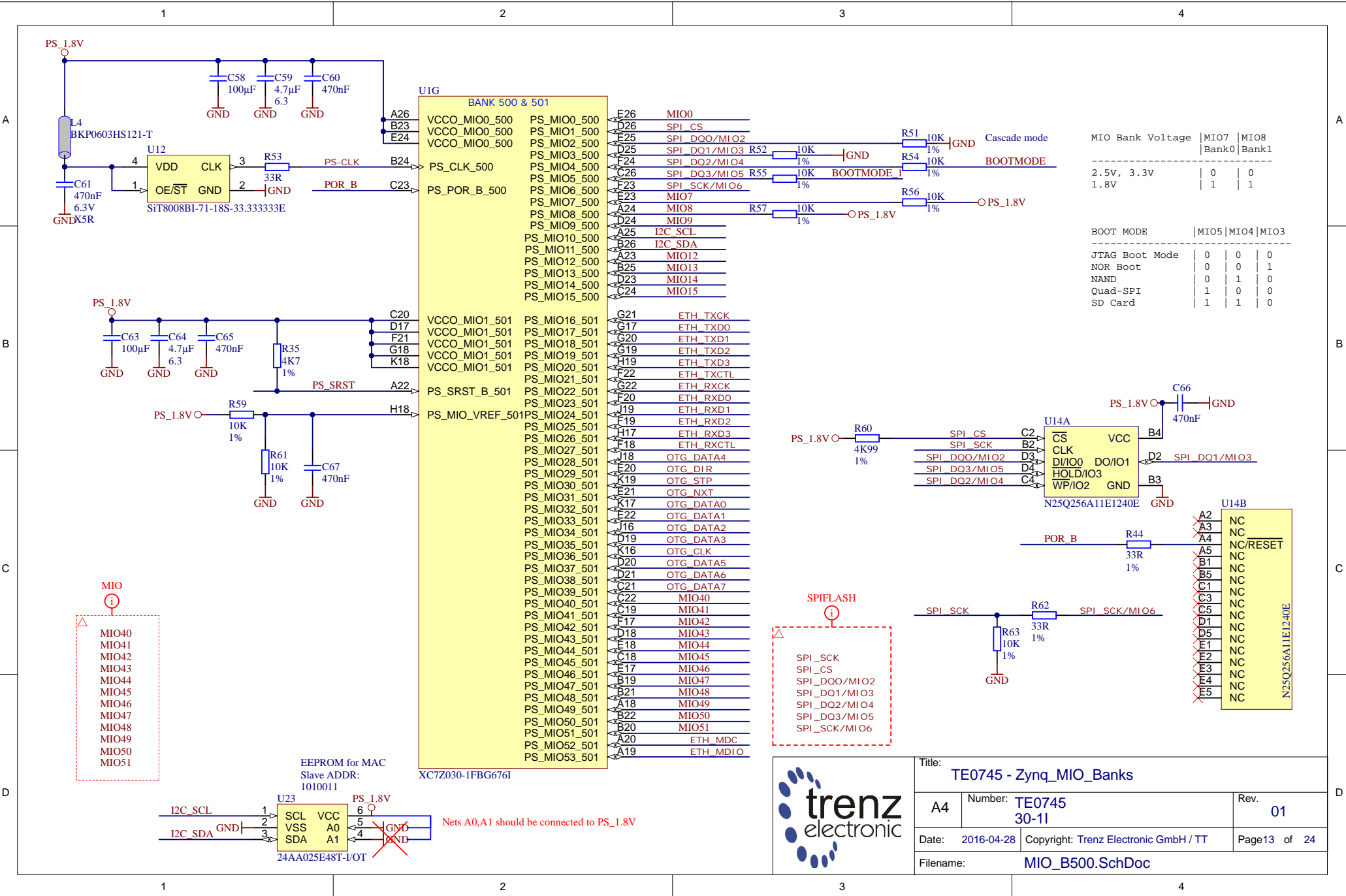
	Title: TE0745 - Zynq_B34		
	A4	Number: TE0745 30-11	Rev. 01
	Date: 2016-04-28	Copyright: Trenz Electronic GmbH / TT	Page 10 of 24
	Filename: B34.SchDoc		



Title: TE0745 - Zynq_B35		
A4	Number: TE0745 30-11	Rev. 01
Date: 2016-04-28	Copyright: Trenz Electronic GmbH / TT	Page 11 of 24
Filename: B35.SchDoc		



	Title: TE0745 - Zynq_MGT		
	A4	Number: TE0745 30-11	Rev. 01
	Date: 2016-04-28	Copyright: Trenz Electronic GmbH / TT	Page 12 of 24
	Filename: FPGA_MGT.SchDoc		



MIO Bank Voltage	MIO7 Bank0	MIO8 Bank1
2.5V, 3.3V	0	0
1.8V	1	1

BOOT MODE	MIO5	MIO4	MIO3
JTAG Boot Mode	0	0	0
NOR Boot	0	0	1
NAND	0	1	0
Quad-SPI	1	0	0
SD Card	1	1	0

- MIO
- MIO40
 - MIO41
 - MIO42
 - MIO43
 - MIO44
 - MIO45
 - MIO46
 - MIO47
 - MIO48
 - MIO49
 - MIO50
 - MIO51

EEPROM for MAC Slave ADDR: 1010011
 Nets A0,A1 should be connected to PS_1.8V

Title: TE0745 - Zynq_MIO_Banks

A4	Number: TE0745 30-11	Rev. 01
Date: 2016-04-28	Copyright: Trenz Electronic GmbH / TT	Page13 of 24
Filename: MIO_B500.SchDoc		

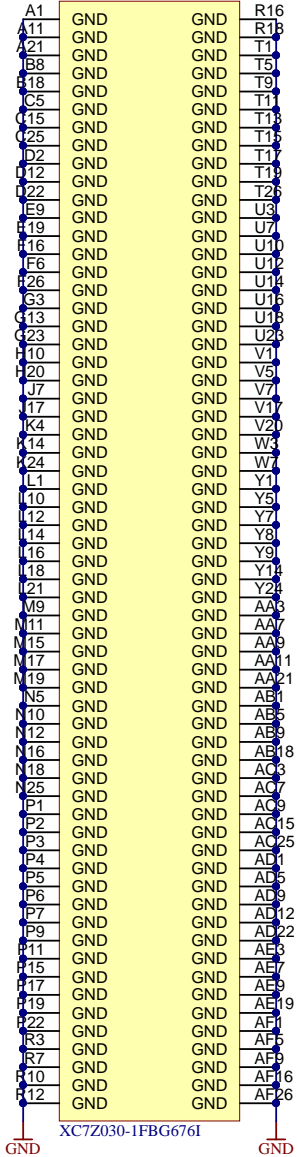
1

2

3

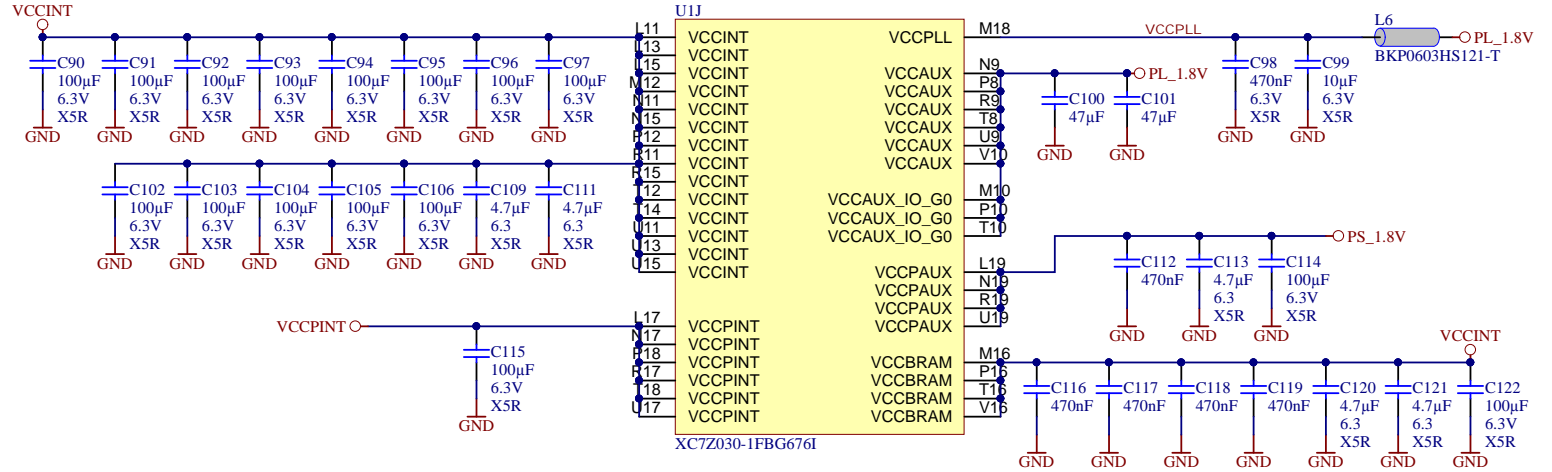
4

UIK



XC7Z030-1FBG6761

Capacitors suitable for XC7Z045



XC7Z030-1FBG6761



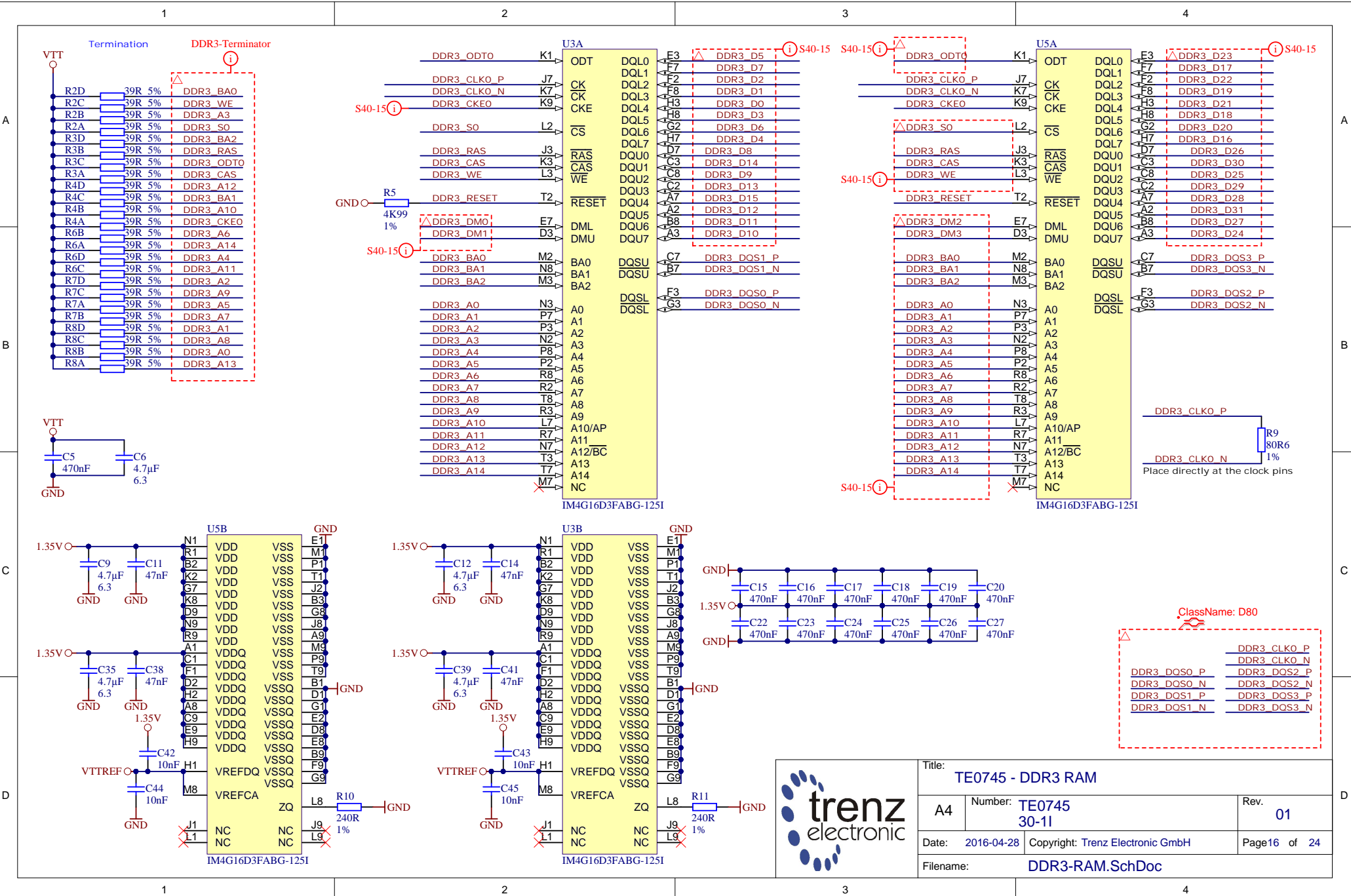
Title: TE0745 - Zynq_Power		
A4	Number: TE0745 30-11	Rev. 01
Date: 2016-04-28	Copyright: Trenz Electronic GmbH / TT	Page 15 of 24
Filename: ZYNC_POWER.SchDoc		

1

2

3

4



			Title: TE0745 - DDR3 RAM	
			A4	Number: TE0745 30-11
Date: 2016-04-28		Copyright: Trenz Electronic GmbH		Page 16 of 24
Filename: DDR3-RAM.SchDoc				

1

2

3

4

A

A

B

B

C

C

D

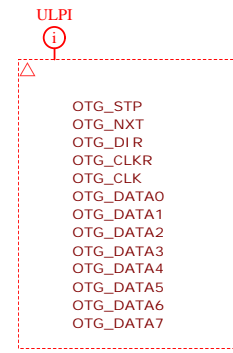
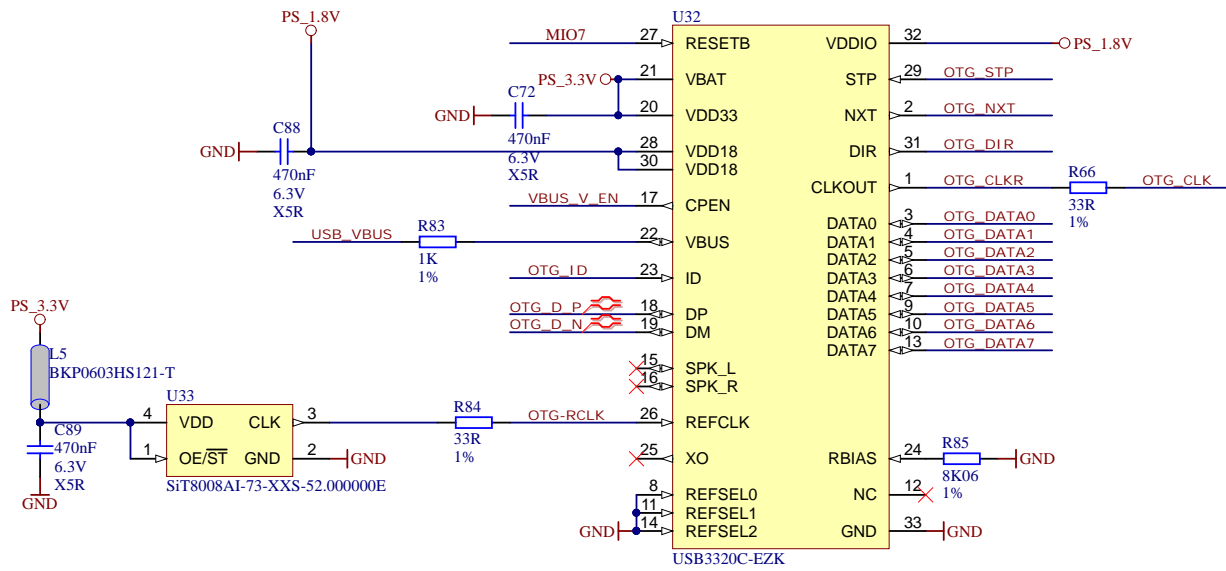
D


1

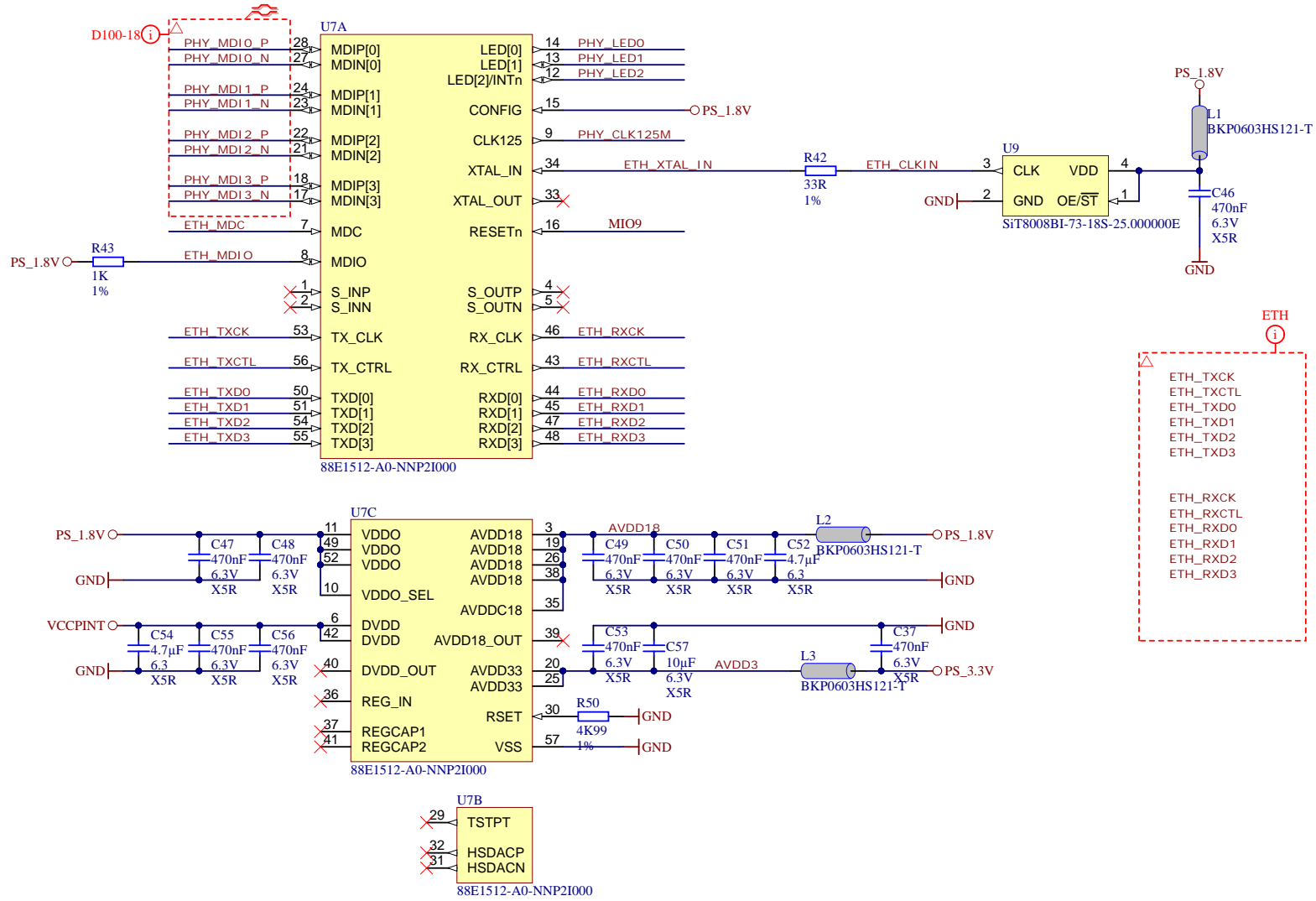
2

3

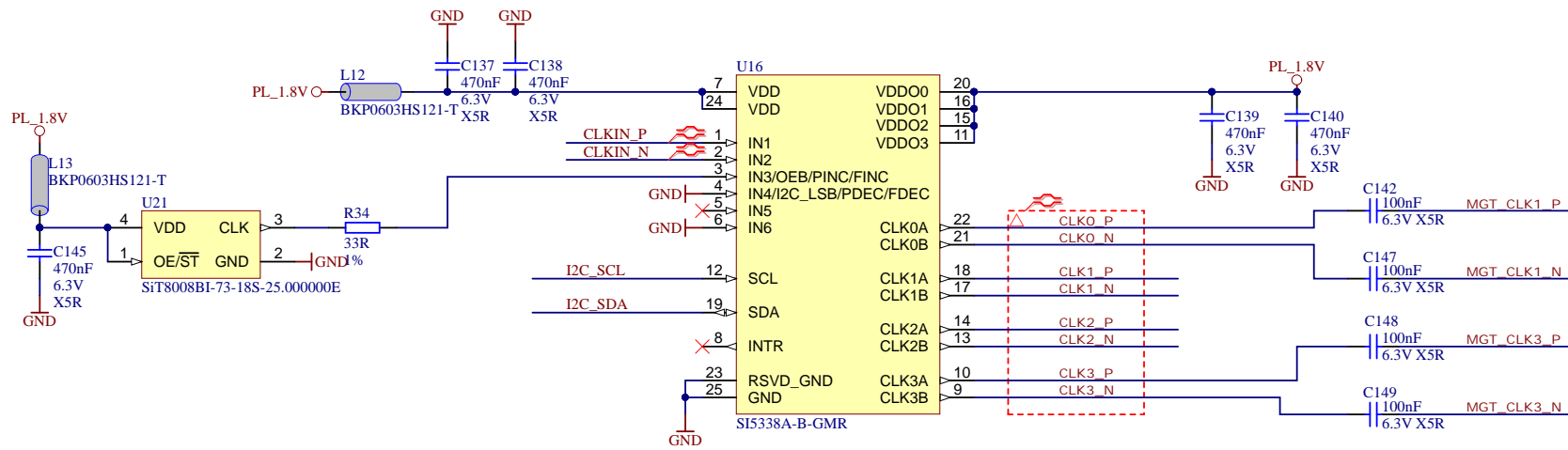
4




		Title: TE0745 - USB_PHY	
		A4	Number: TE0745 30-11
Date: 2016-04-28		Copyright: Trenz Electronic GmbH / TT	
Filename: USB-PHY.SchDoc		Page 17 of 24	



Title: TE0745 - ETH_PHY		
A4	Number: TE0745 30-11	Rev. 01
Date: 2016-04-28	Copyright: Trenz Electronic GmbH / TT	Page 18 of 24
Filename: ETH-PHY.SchDoc		



Slave ADDR:
1110000 OR 1110001

	Title: TE0745 - CLK		
	A4	Number: TE0745 30-11	Rev. 01
	Date: 2016-04-28	Copyright: Trenz Electronic GmbH / TT	Page 19 of 24
	Filename: CLK.SchDoc		

1

2

3

4

A

A

B

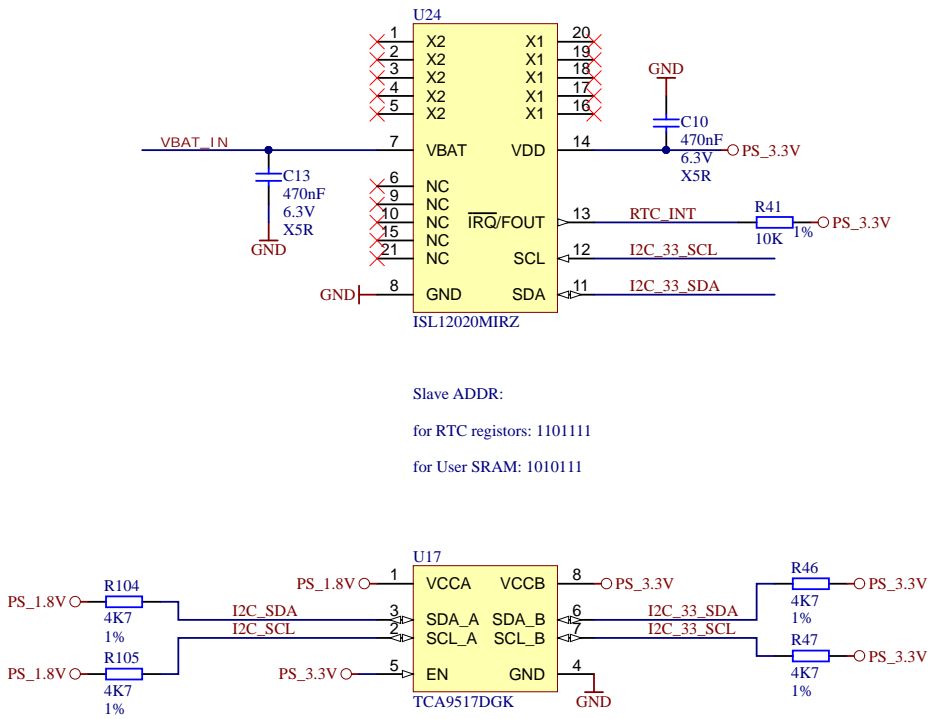
B

C

C

D

D



Slave ADDR:
 for RTC registers: 1101111
 for User SRAM: 1010111



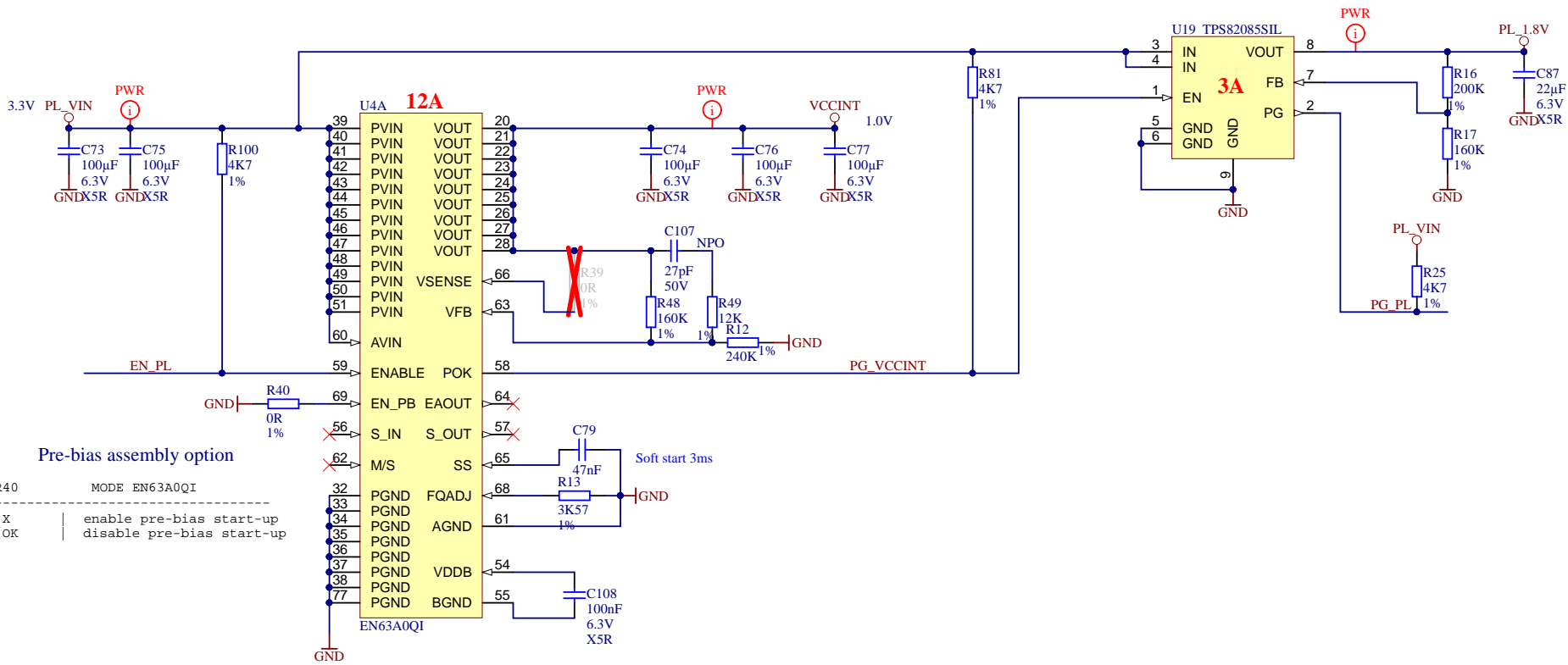
Title: TE0745 - RTC		
A4	Number: TE0745 30-11	Rev. 01
Date: 2016-04-28	Copyright: Trenz Electronic GmbH / TT	Page 20 of 24
Filename: SENSOR-RTC.SchDoc		

1

2

3

4

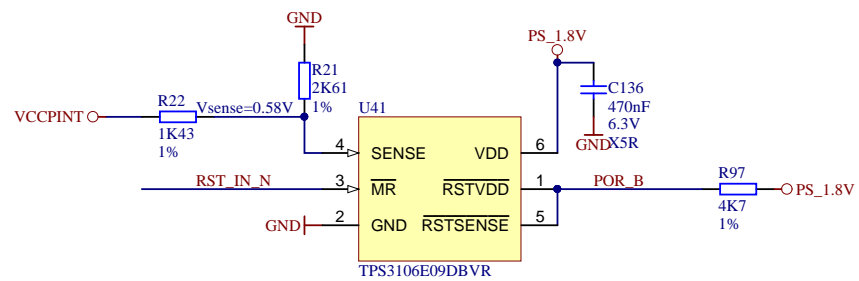
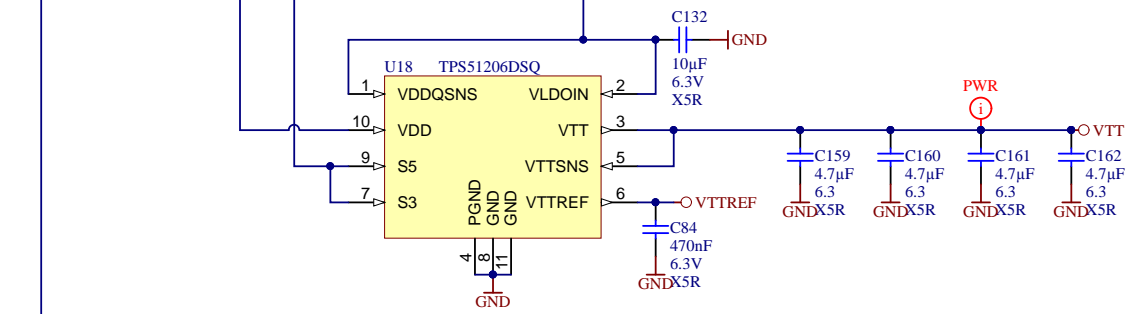
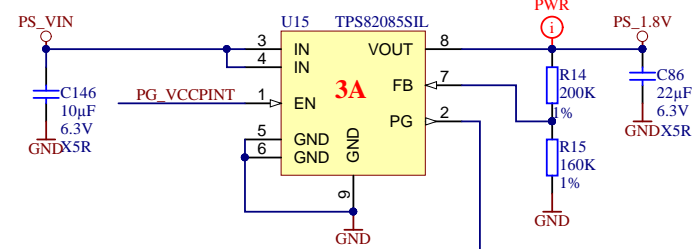
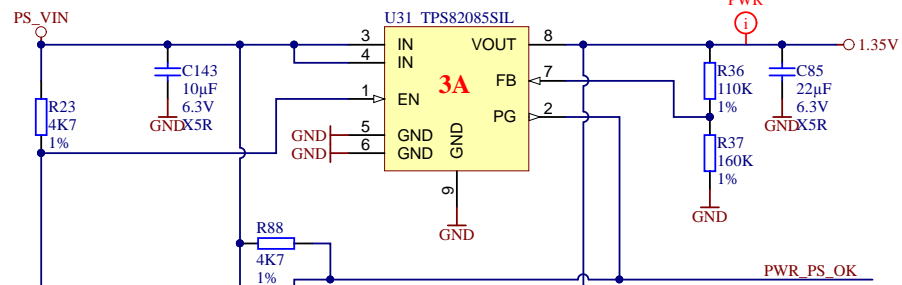
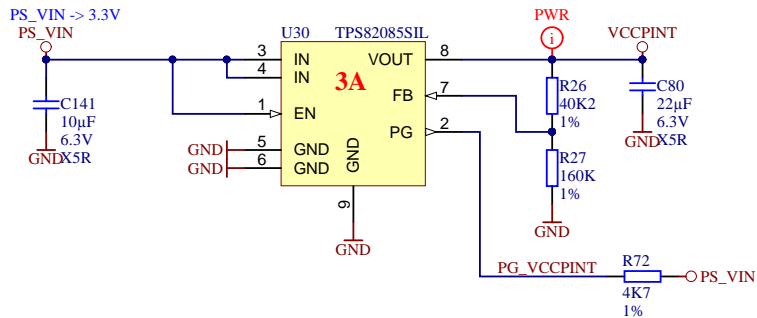



Pre-bias assembly option

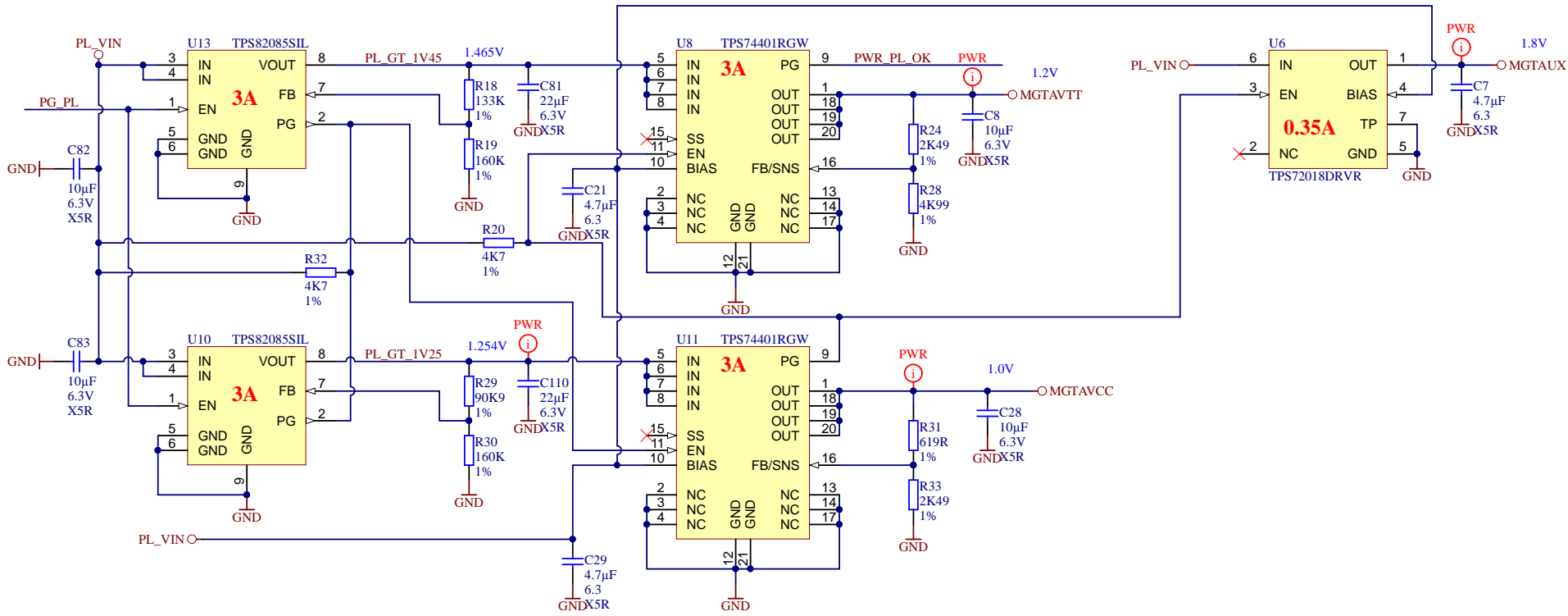
R39	R40	MODE	EN63A0QI
OK	X		enable pre-bias start-up
X	OK		disable pre-bias start-up

U4B		EN63A0QI	
1	NC	NC	17
2	NC	NC	18
3	NC	NC	19
4	NC	NC	29
5	NC	NC	30
6	NC	NC(SW)	31
7	NC	NC(SW)	52
8	NC	NC	53
9	NC	NC	67
10	NC	NC(SW)	70
11	NC	NC(SW)	71
12	NC	NC(SW)	72
13	NC	NC	73
14	NC	NC	74
15	NC	NC	75
16	NC	NC	76

	Title: TE0745 - Power		
	A4	Number: TE0745 30-11	Rev. 01
	Date: 2016-04-28	Copyright: Trenz Electronic GmbH / TT	Page21 of 24
	Filename: POWER.SchDoc		

Title: TE0745 - Power2		
A4	Number: TE0745 30-11	Rev. 01
Date: 2016-04-28	Copyright: Trenz Electronic GmbH / TT	Page22 of 24
Filename: POWER_2.SchDoc		



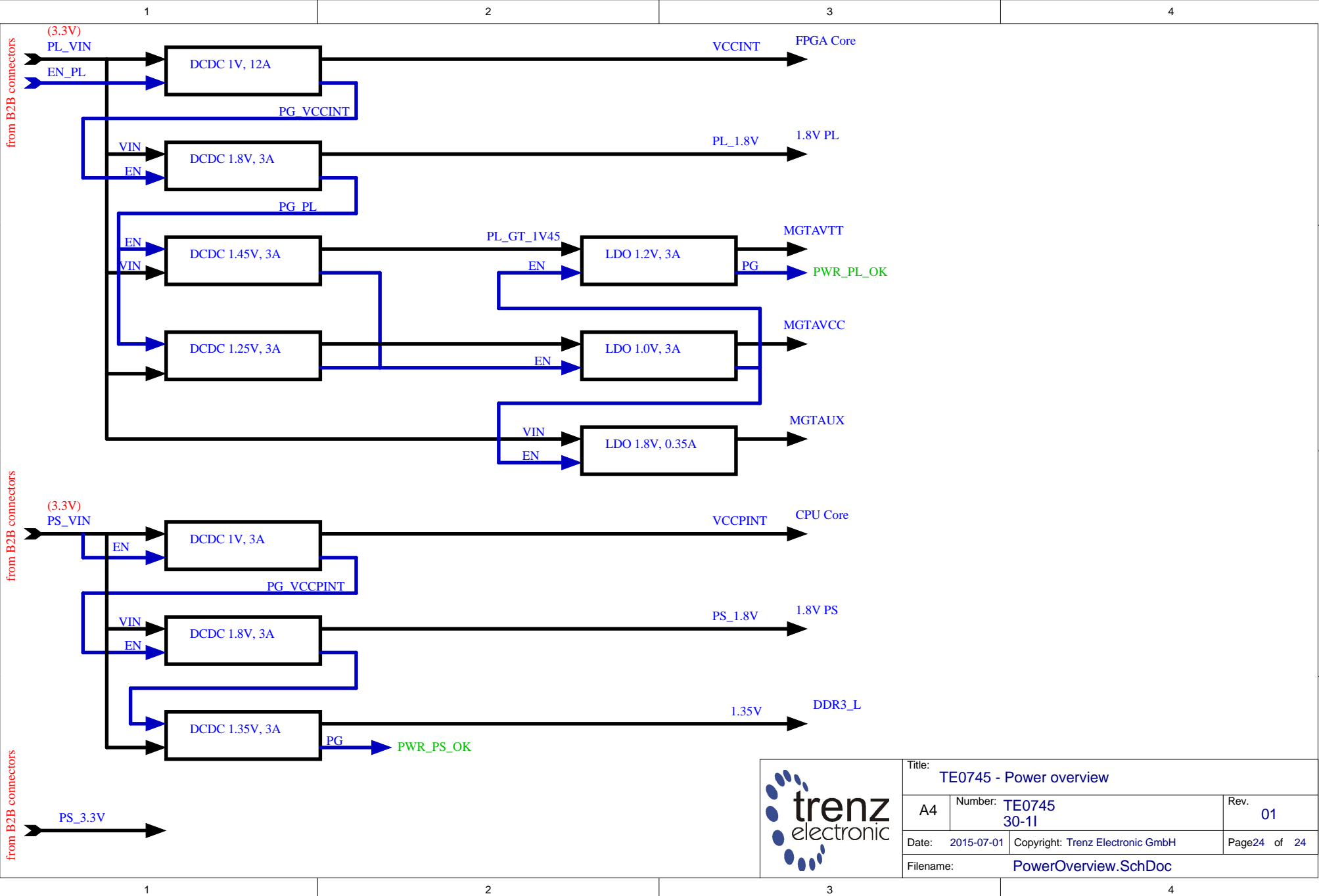
Title: TE0745 - Power3		
A4	Number: TE0745 30-11	Rev. 01
Date: 2016-04-28	Copyright: Trenz Electronic GmbH / TT	Page23 of 24
Filename: POWER_3.SchDoc		

1

2

3

4



Title: TE0745 - Power overview		
A4	Number: TE0745 30-11	Rev. 01
Date: 2015-07-01	Copyright: Trenz Electronic GmbH	
Filename: PowerOverview.SchDoc		Page24 of 24