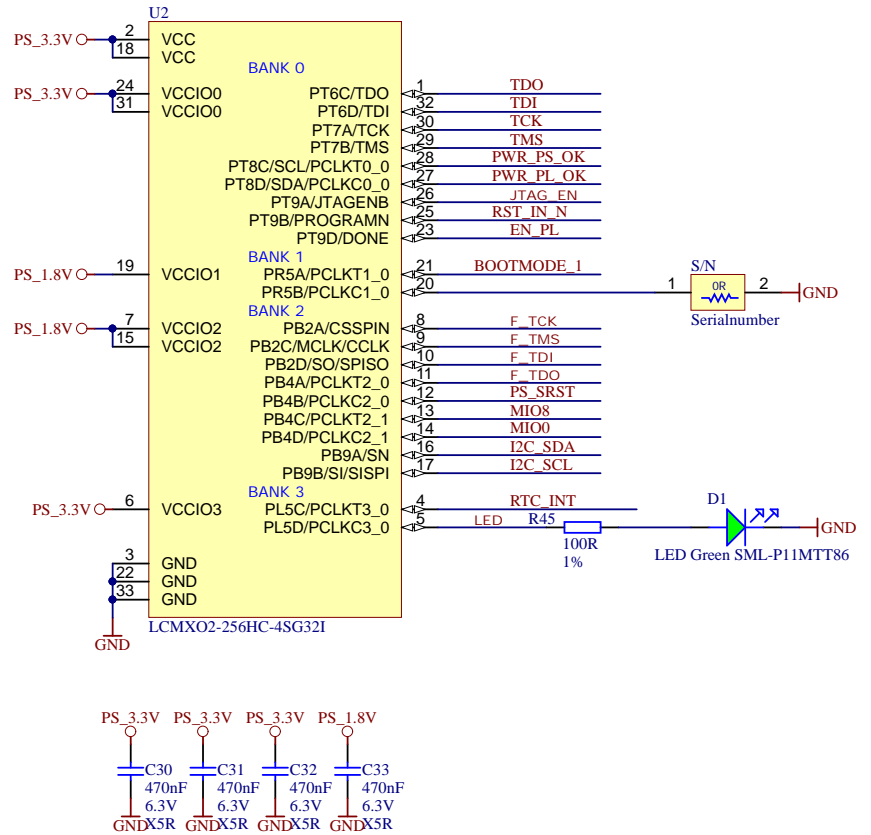
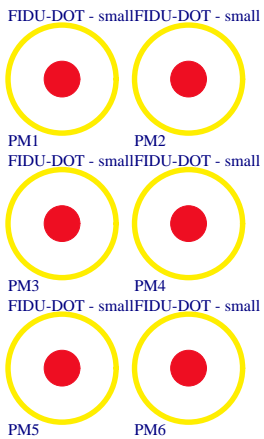
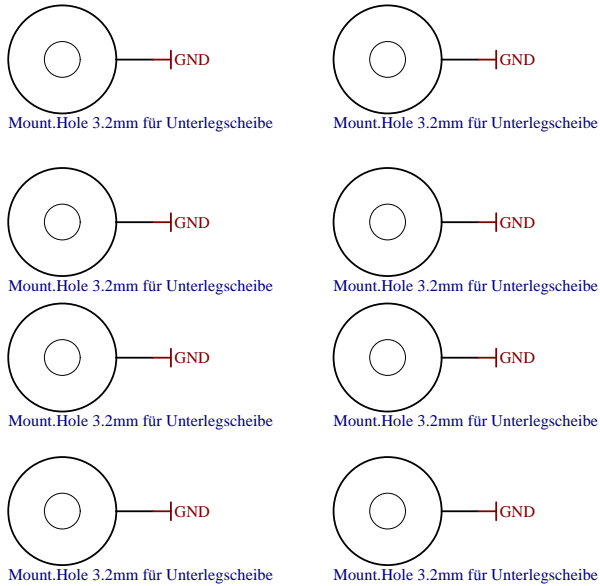
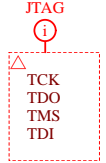
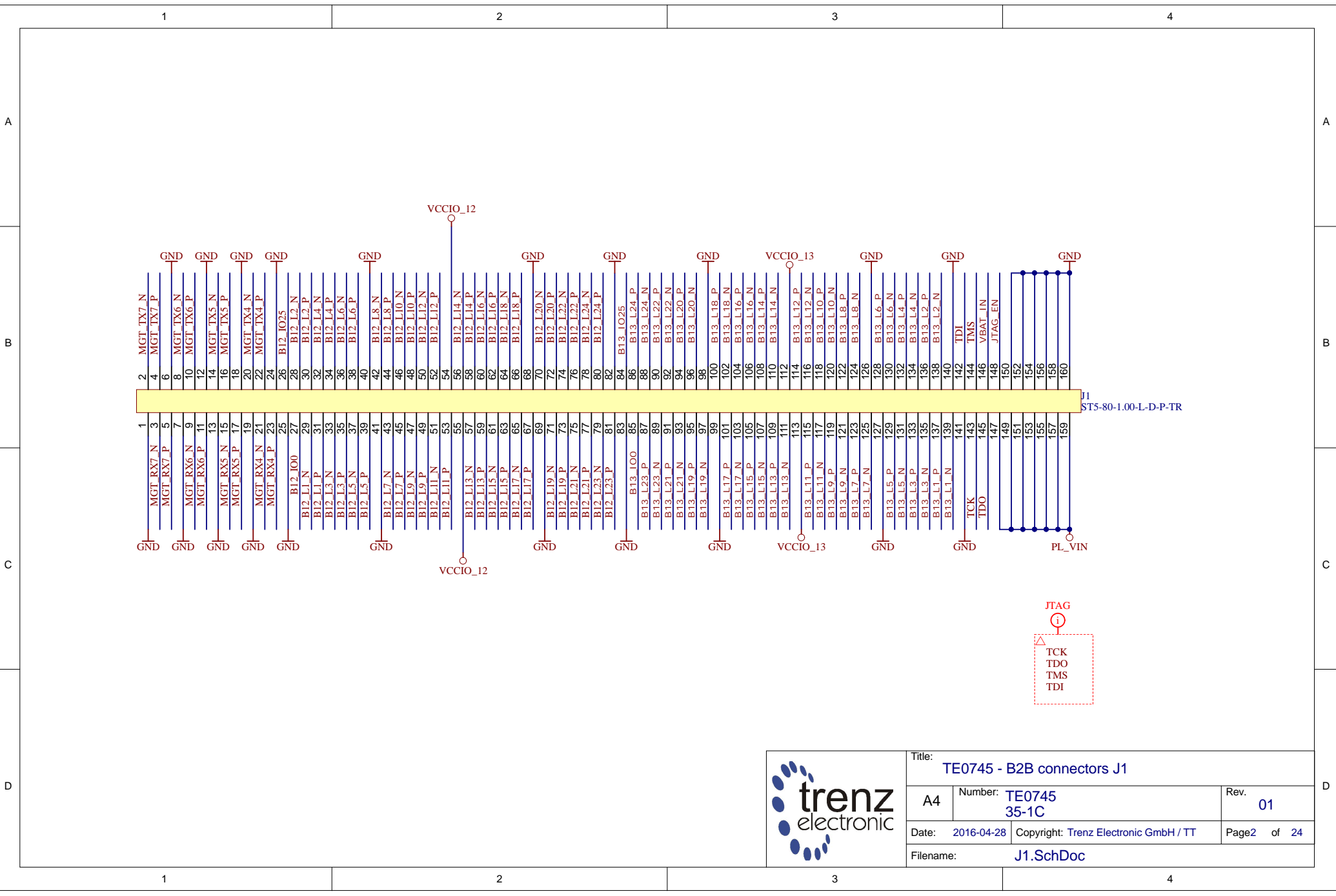



Serial
Serialnummer 6,3 x 6,3mm

LOGO1
TE Logo PRINT Layer
LOGO PRINT



	Title: TE0745	
	A4	Number: TE0745 35-1C
	Date: 2016-04-28	Rev. 01
	Copyright: Trenz Electronic GmbH / TT	Page1 of 24
Filename: TE0745.SchDoc		

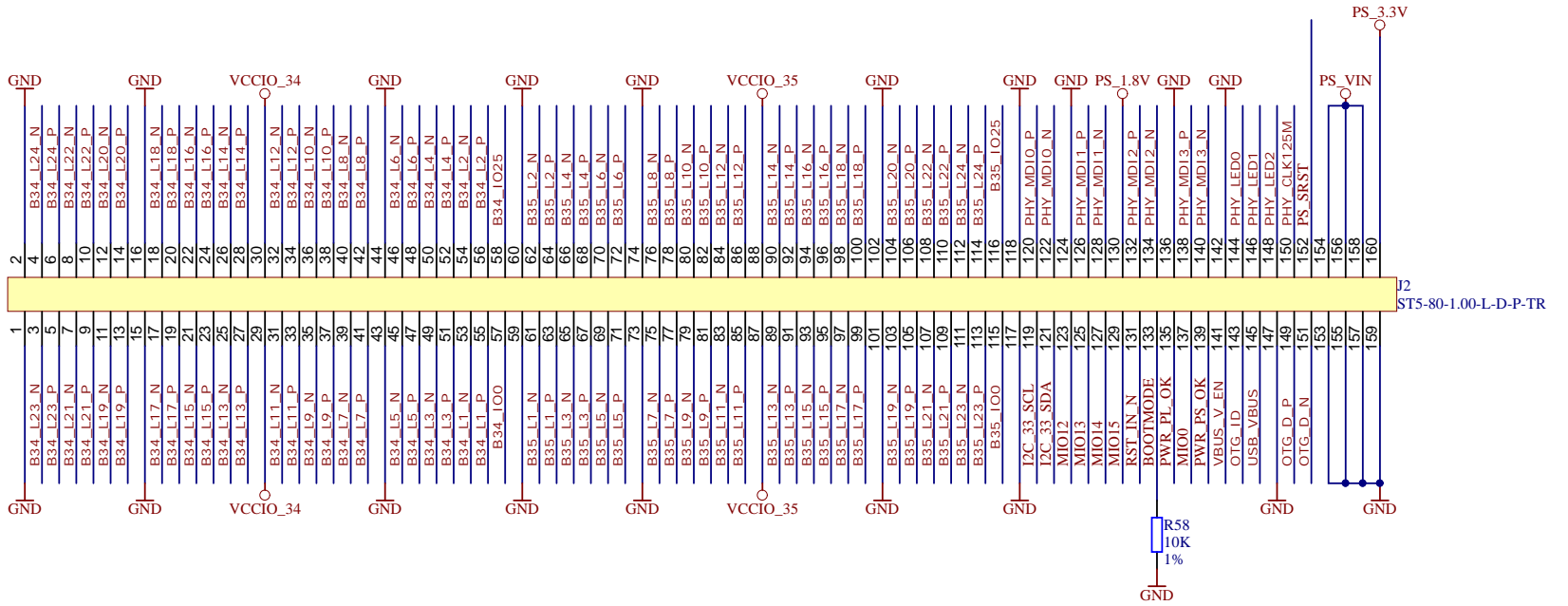


		Title: TE0745 - B2B connectors J1	
		A4	Number: TE0745 35-1C
Date: 2016-04-28		Copyright: Trenz Electronic GmbH / TT	
Filename: J1.SchDoc		Page2 of 24	

ETH_MDI

i

PHY_MDI1_P
 PHY_MDI1_N
 PHY_MDI3_P
 PHY_MDI3_N
 PHY_MDI0_P
 PHY_MDI0_N
 PHY_MDI2_P
 PHY_MDI2_N



J2
 ST5-80-1.00-L-D-P-TR



Title: TE0745 - B2B connectors J2		
A4	Number: TE0745 35-1C	Rev. 01
Date: 2016-04-28	Copyright: Trenz Electronic GmbH / TT	Page3 of 24
Filename: J2.SchDoc		

1

2

3

4

A

A

B

B

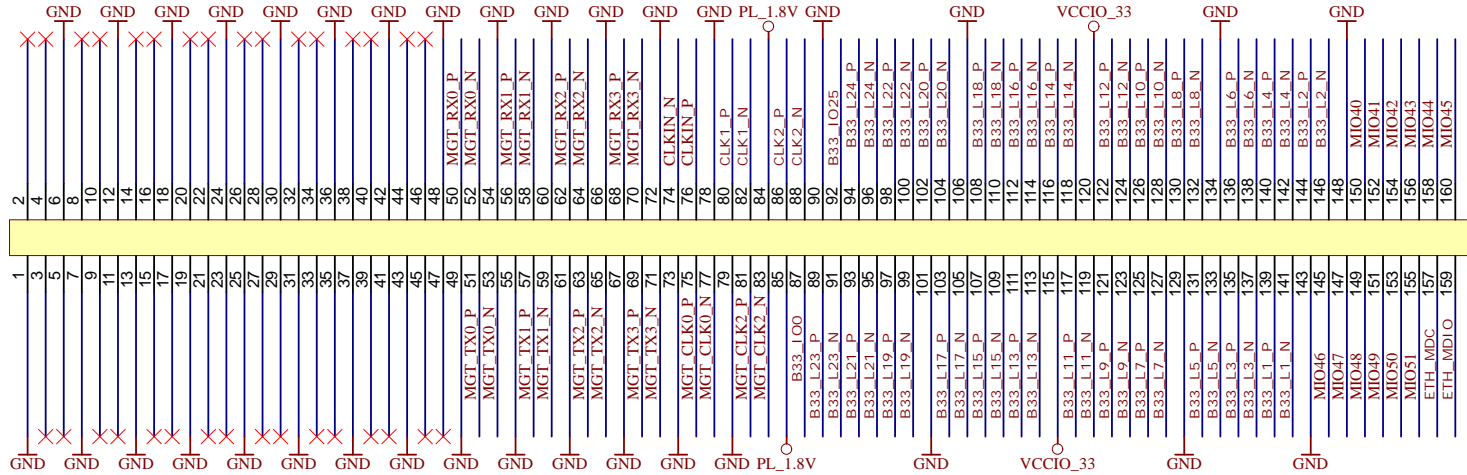
C

C

D

D

RESERVED for additional 8 GTX lanes



J3
ST5-80-1.00-L-D-P-TR



Title: TE0745 - B2B connectors J3		
A4	Number: TE0745 35-1C	Rev. 01
Date: 2016-04-28	Copyright: Trenz Electronic GmbH / TT	Page4 of 24
Filename: J3.SchDoc		

1

2

3

4

1

2

3

4

U_B12
B12.SchDoc



U_B500
MIO_B500.SchDoc



U_B13
B13.SchDoc



U_PS_DDR
PS-DDR.SchDoc



U_B33
B33.SchDoc



U_MISC
ZYNQ_MISC.SchDoc



U_B34
B34.SchDoc



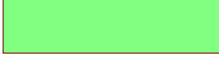
U_ZYNQ_POWER
ZYNQ_POWER.SchDoc



U_B35
B35.SchDoc



U_FPGA_MGT
FPGA_MGT.SchDoc



Title: TE0745 - Zynq		
A4	Number: TE0745 35-1C	Rev. 01
Date: 2016-04-28	Copyright: Trenz Electronic GmbH / TT	Page5 of 24
Filename: ZYNQ.SchDoc		

1

2

3

4

A

A

B

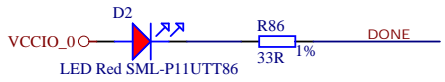
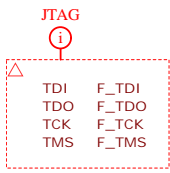
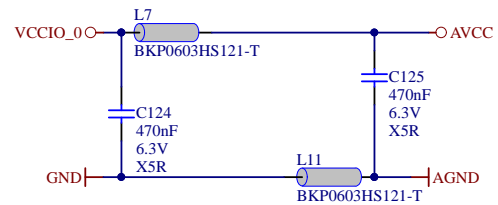
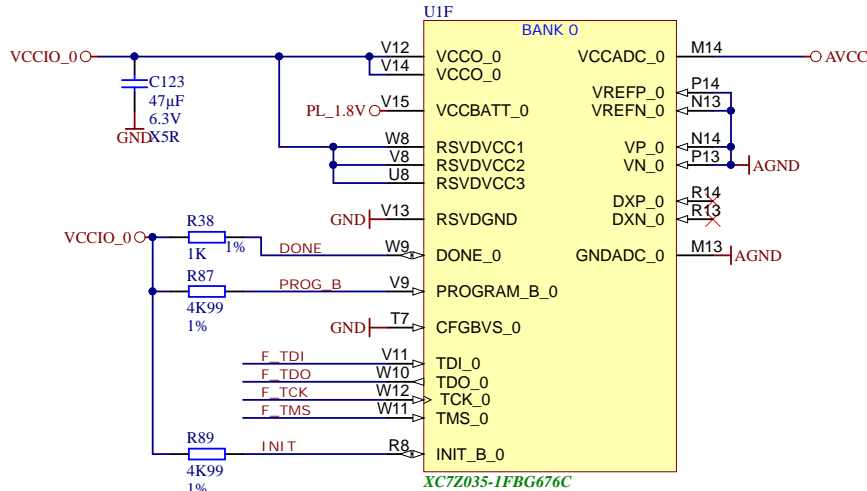
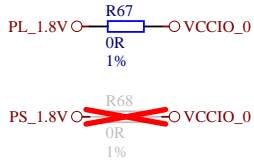
B

C

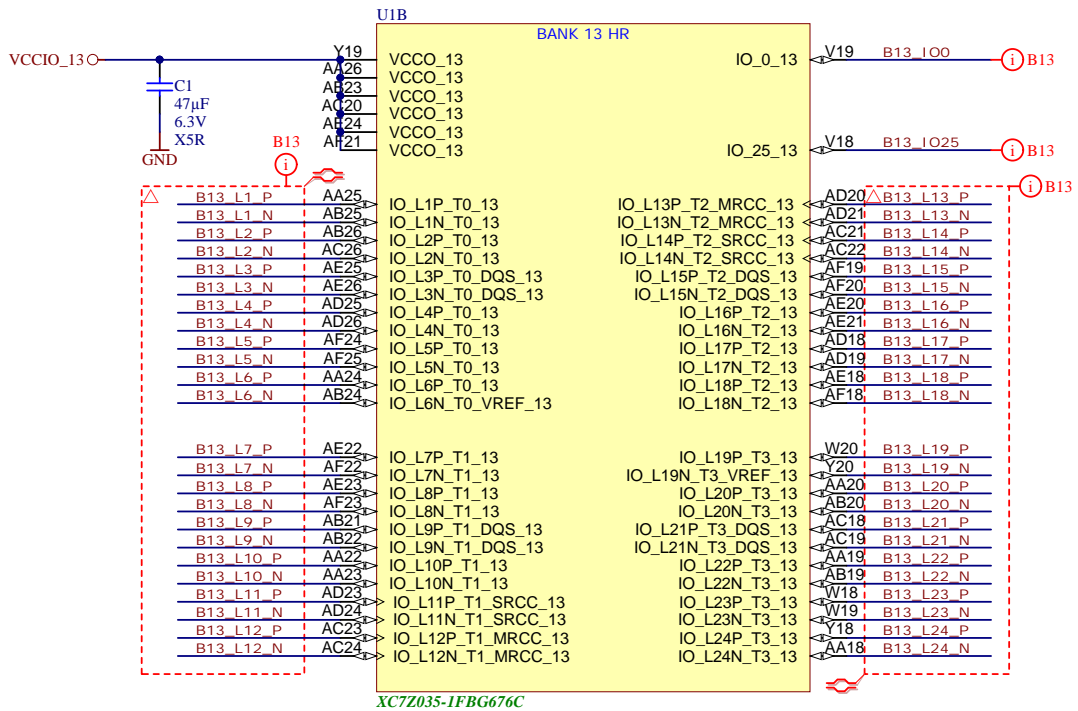
C

D

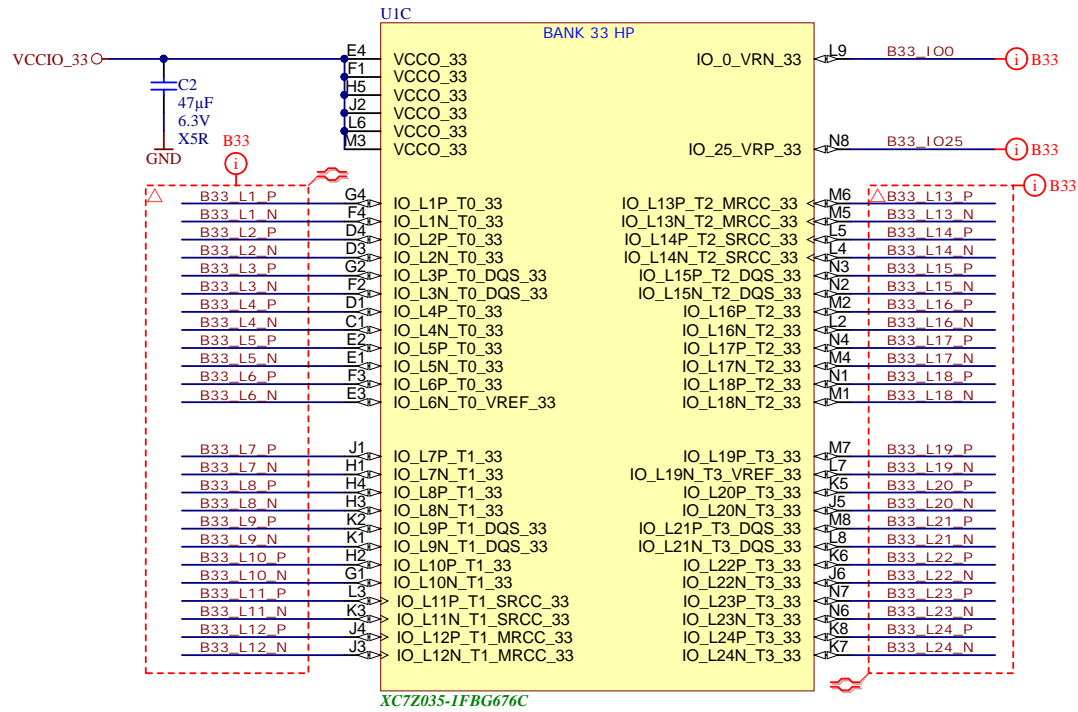
D



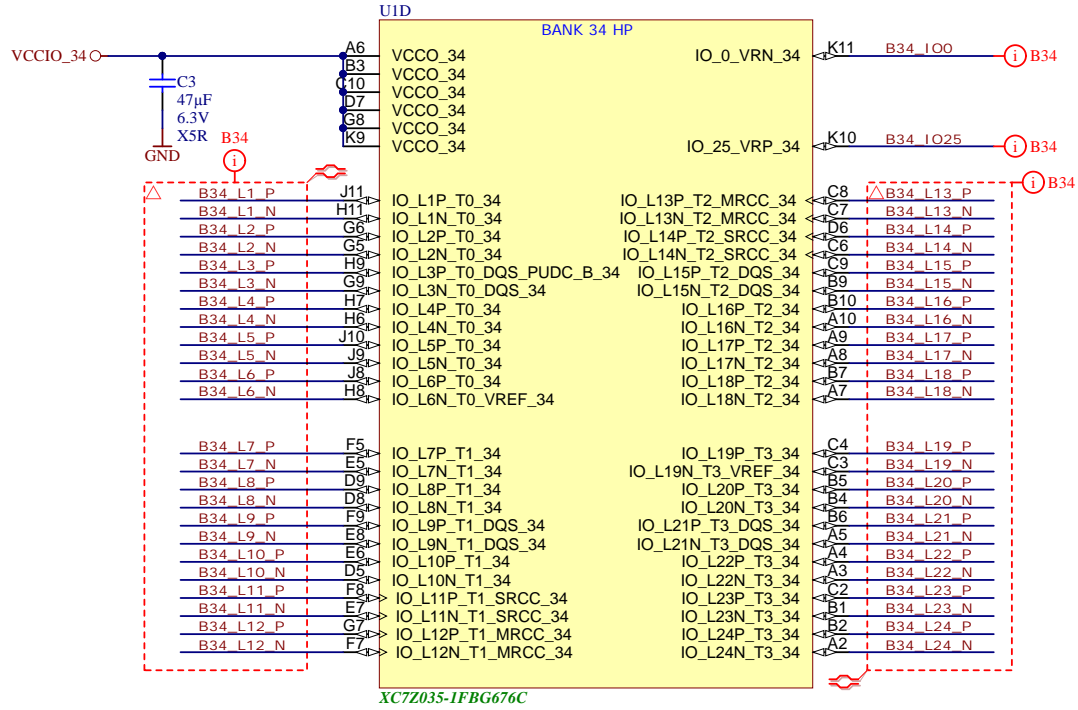
Title: TE0745 - Zynq_MISC		
A4	Number: TE0745 35-1C	Rev. 01
Date: 2016-04-28	Copyright: Trenz Electronic GmbH / TT	Page6 of 24
Filename: ZYNQ_MISC.SchDoc		



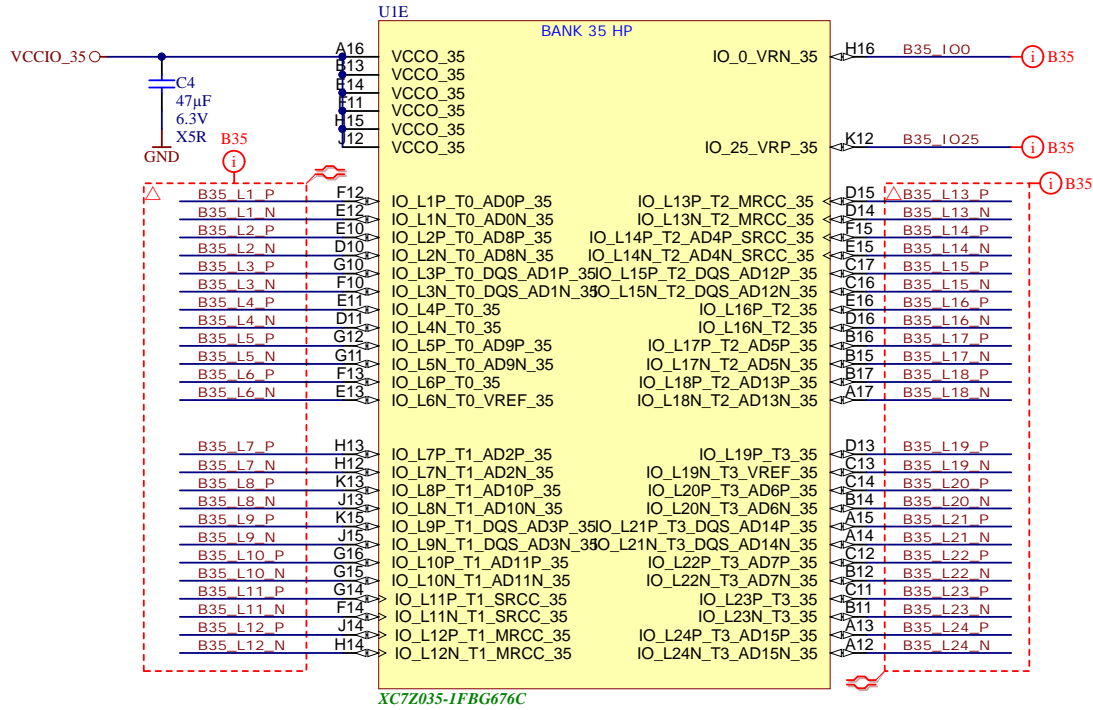

Title: TE0745 - Zynq_B13		
A4	Number: TE0745 35-1C	Rev. 01
Date: 2016-04-28	Copyright: Trenz Electronic GmbH / TT	Page8 of 24
Filename: B13.SchDoc		



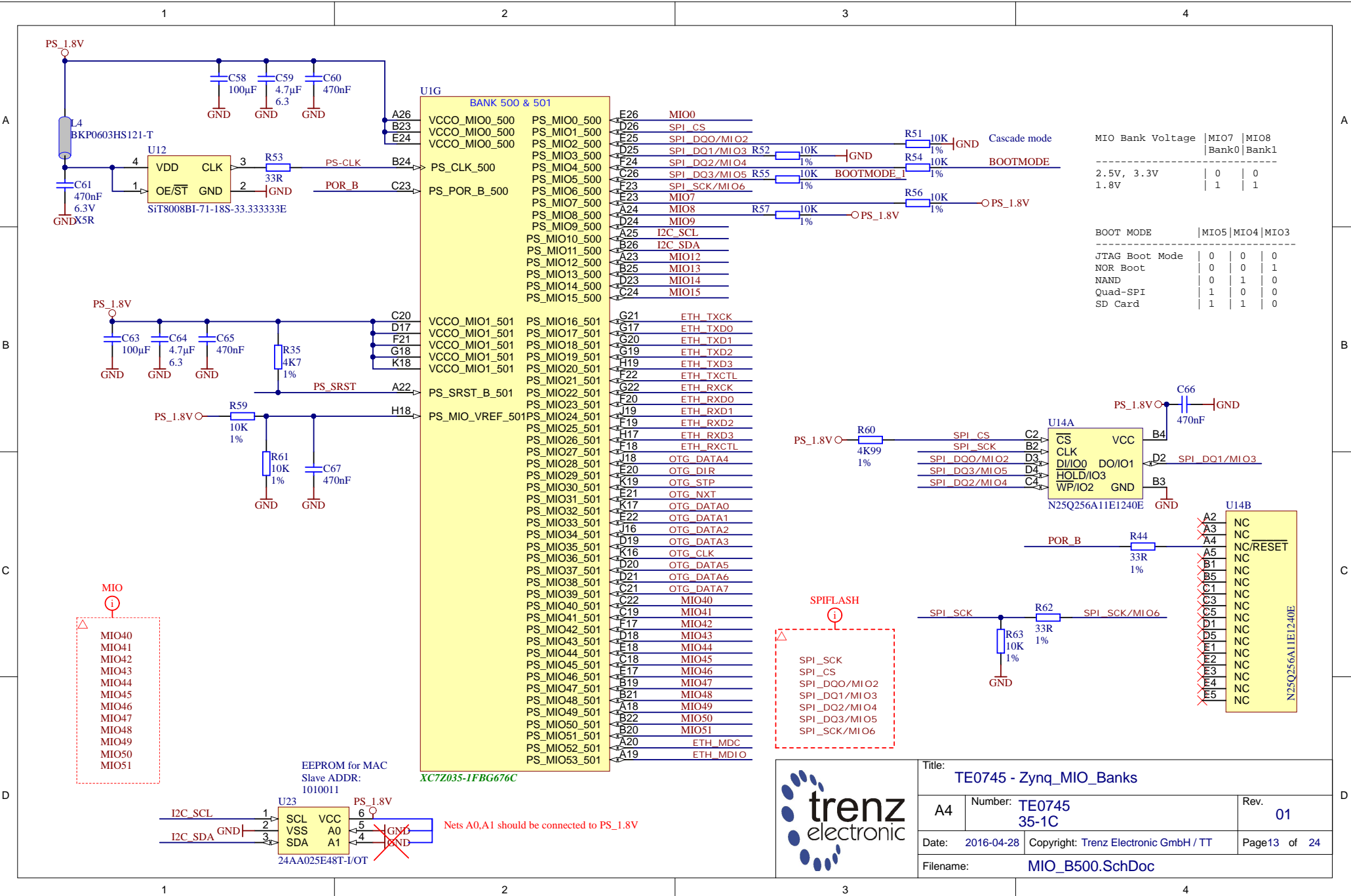
	Title: TE0745 - Zynq_B33		
	A4	Number: TE0745 35-1C	Rev. 01
	Date: 2016-04-28	Copyright: Trenz Electronic GmbH / TT	Page9 of 24
	Filename: B33.SchDoc		



Title: TE0745 - Zynq_B34		
A4	Number: TE0745 35-1C	Rev. 01
Date: 2016-04-28	Copyright: Trenz Electronic GmbH / TT	Page10 of 24
Filename: B34.SchDoc		

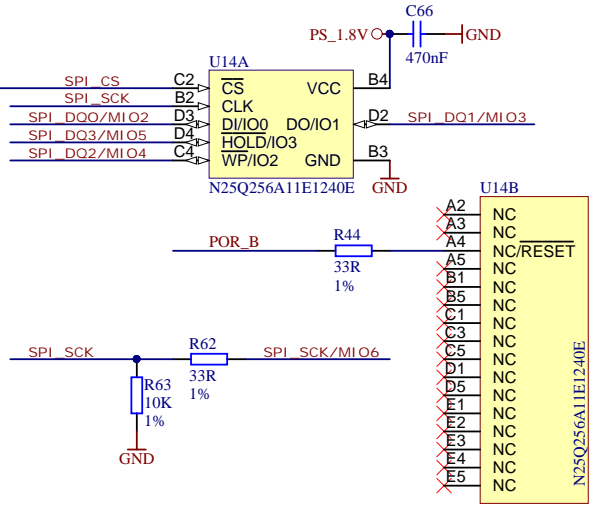
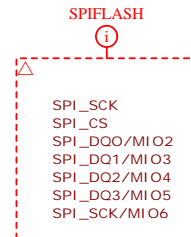



Title: TE0745 - Zynq_B35		
A4	Number: TE0745 35-1C	Rev. 01
Date: 2016-04-28	Copyright: Trenz Electronic GmbH / TT	Page 11 of 24
Filename: B35.SchDoc		



MIO Bank Voltage	MIO7 Bank0	MIO8 Bank1
2.5V, 3.3V	0	0
1.8V	1	1

BOOT MODE	MIO5	MIO4	MIO3
JTAG Boot Mode	0	0	0
NOR Boot	0	0	1
NAND	0	1	0
Quad-SPI	1	0	0
SD Card	1	1	0



trenz electronic

Title: **TE0745 - Zynq_MIO_Banks**

A4 Number: **TE0745 35-1C** Rev. **01**

Date: 2016-04-28 Copyright: Trenz Electronic GmbH / TT Page13 of 24

Filename: **MIO_B500.SchDoc**

EEPROM for MAC Slave ADDR: 1010011
XC7Z035-1FBG676C

Nets A0,A1 should be connected to PS_1.8V

1

2

3

4

A

A

B

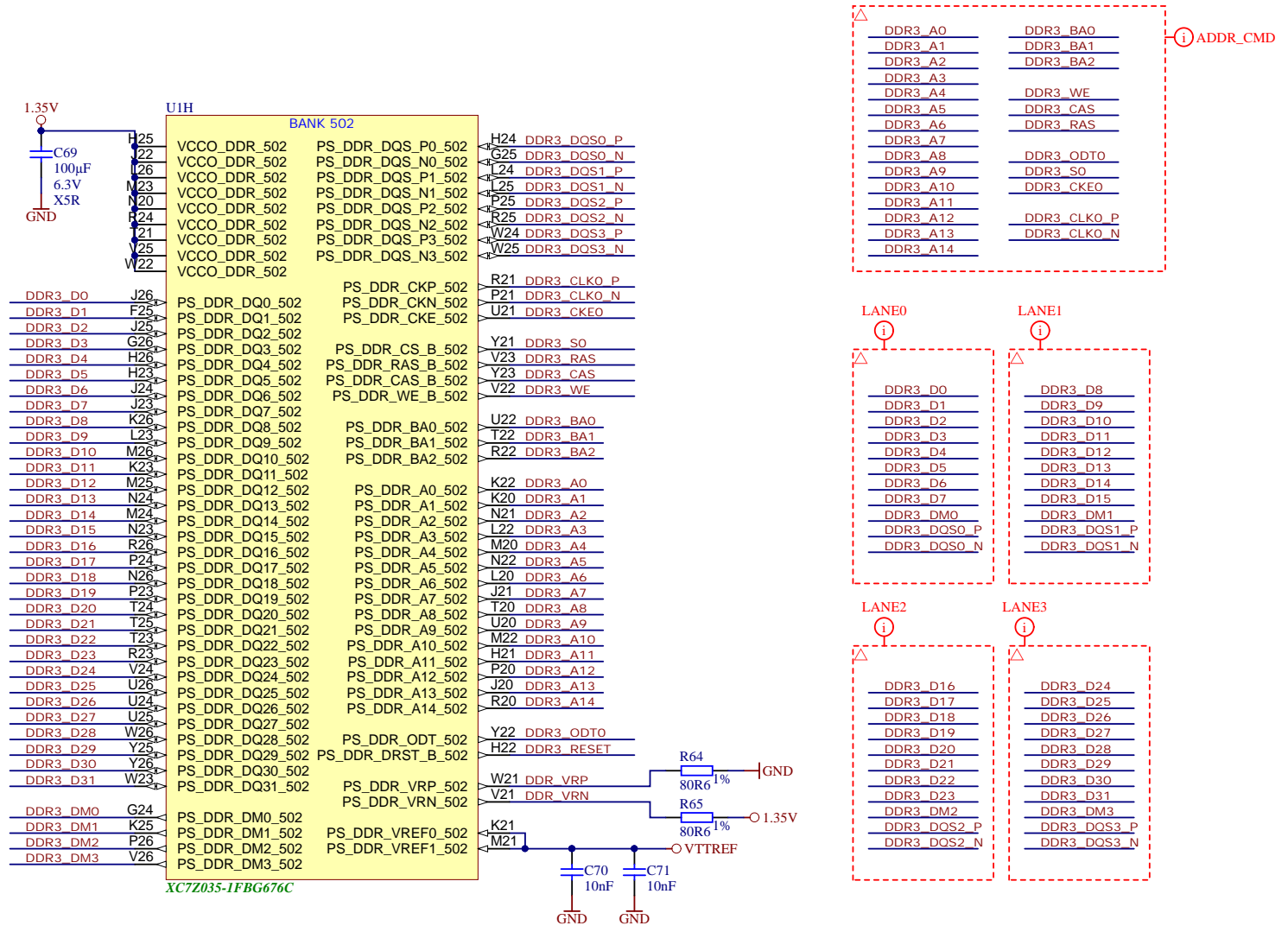
B


C

C

D

D



		Title: TE0745 - Zynq_PS_DDR	
		A4	Number: TE0745 35-1C
Date: 2016-04-28		Copyright: Trenz Electronic GmbH / TT	
Filename: PS-DDR.SchDoc		Page 14 of 24	

1

2

3

4

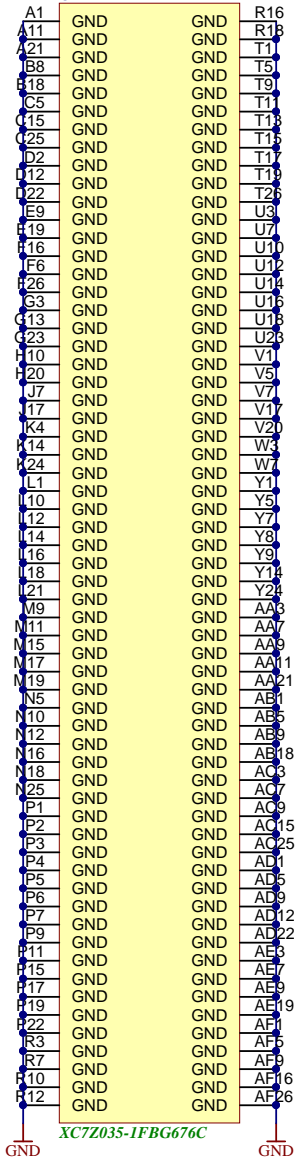
1

2

3

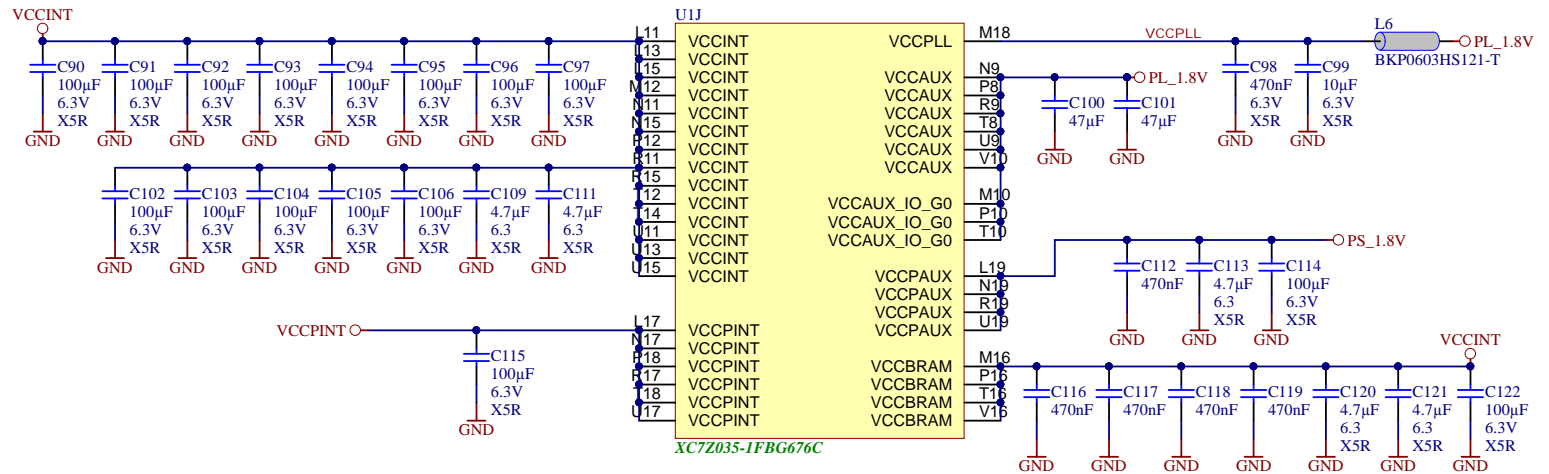
4

UIK



XC7Z035-1FBG676C

Capacitors suitable for XC7Z045



XC7Z035-1FBG676C



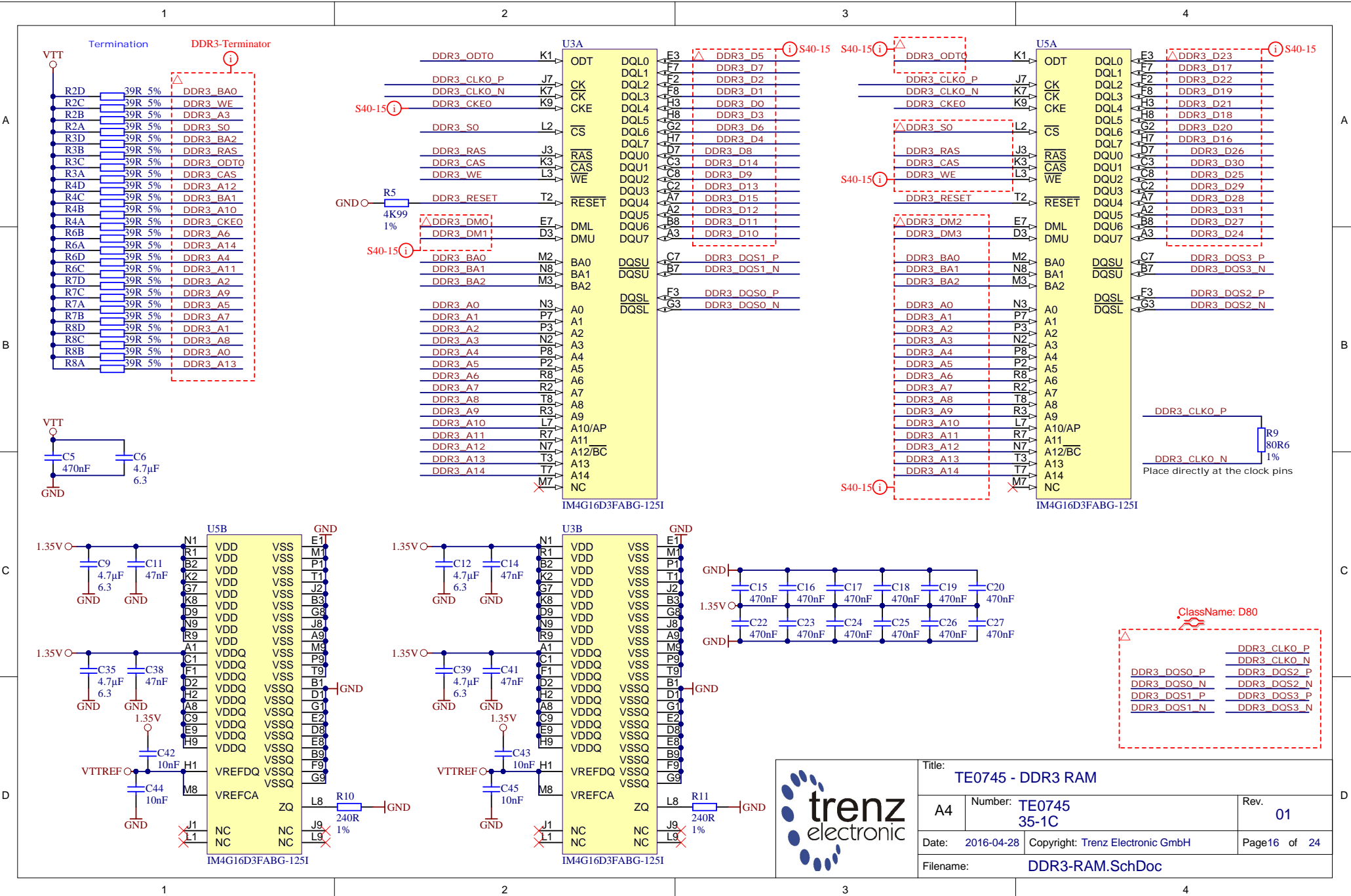
Title: TE0745 - Zynq_Power		
A4	Number: TE0745 35-1C	Rev. 01
Date: 2016-04-28	Copyright: Trenz Electronic GmbH / TT	Page 15 of 24
Filename: ZYNC_POWER.SchDoc		

1

2

3

4



Title: TE0745 - DDR3 RAM		
A4	Number: TE0745 35-1C	Rev. 01
Date: 2016-04-28	Copyright: Trenz Electronic GmbH	Page 16 of 24
Filename: DDR3-RAM.SchDoc		

1

2

3

4

A

A

B

B

C

C

D

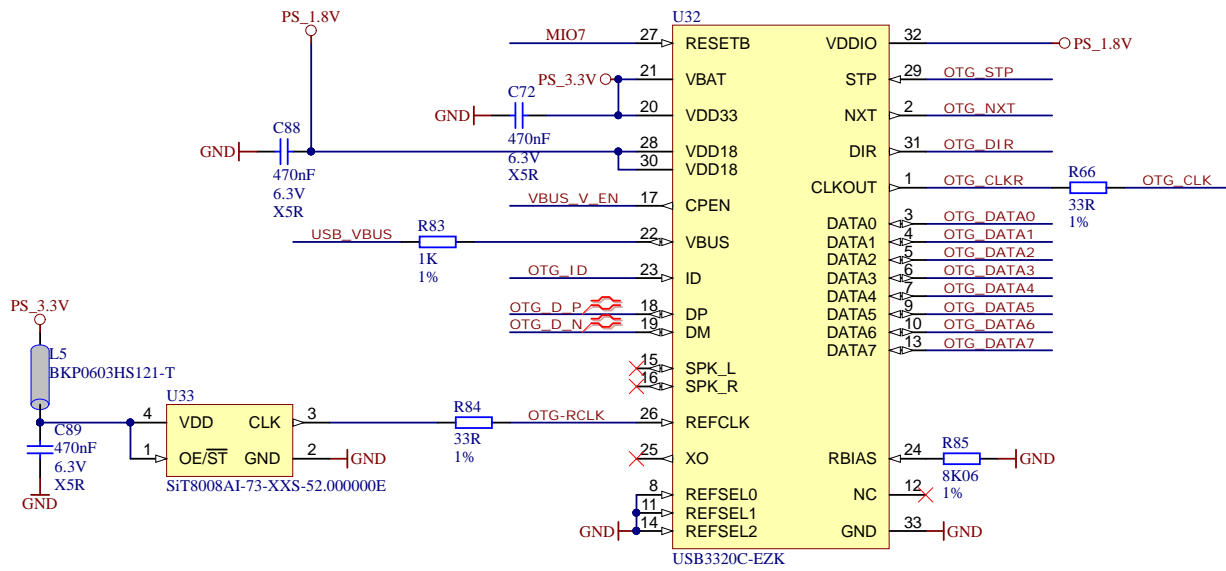
D

1

2

3

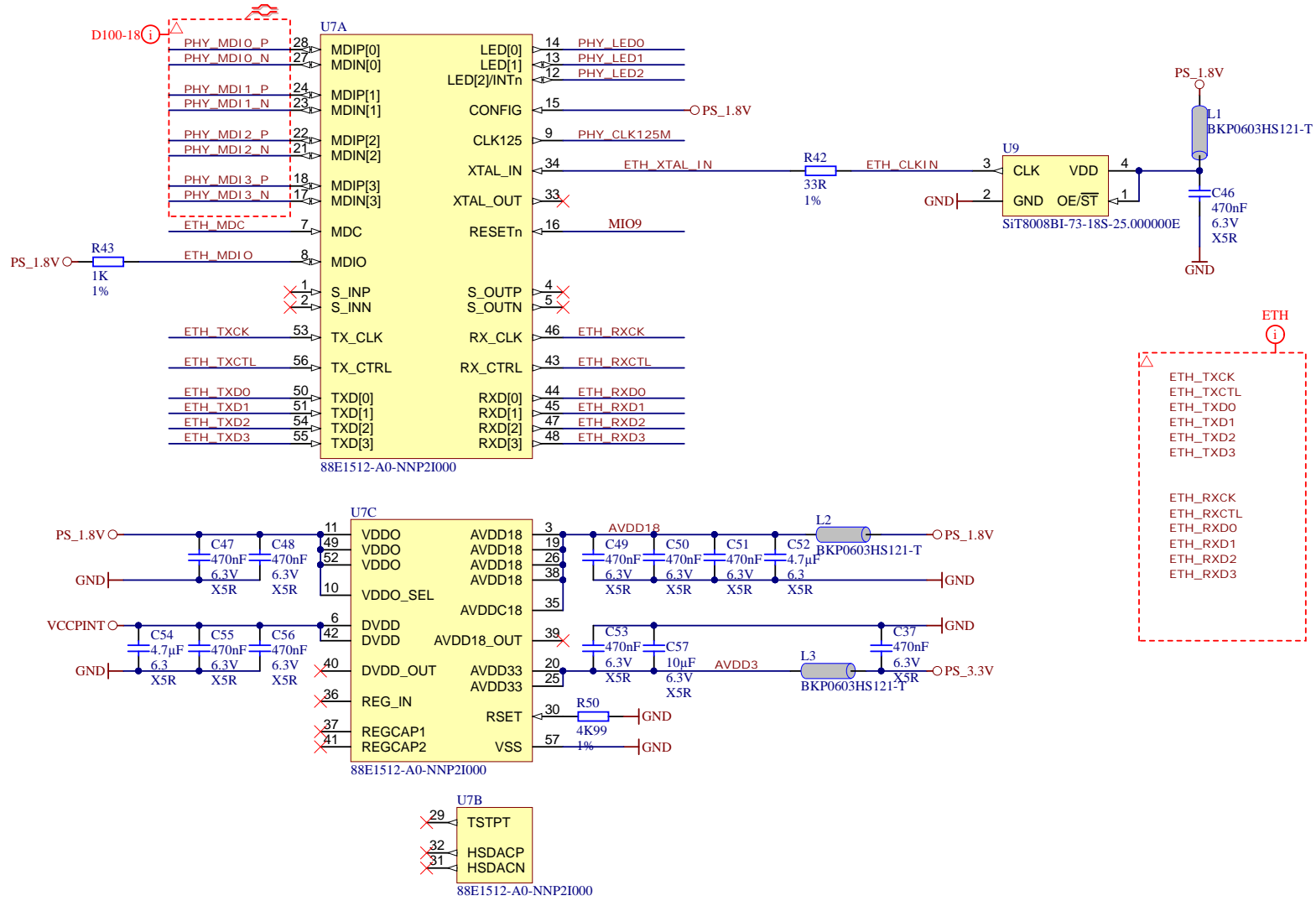
4



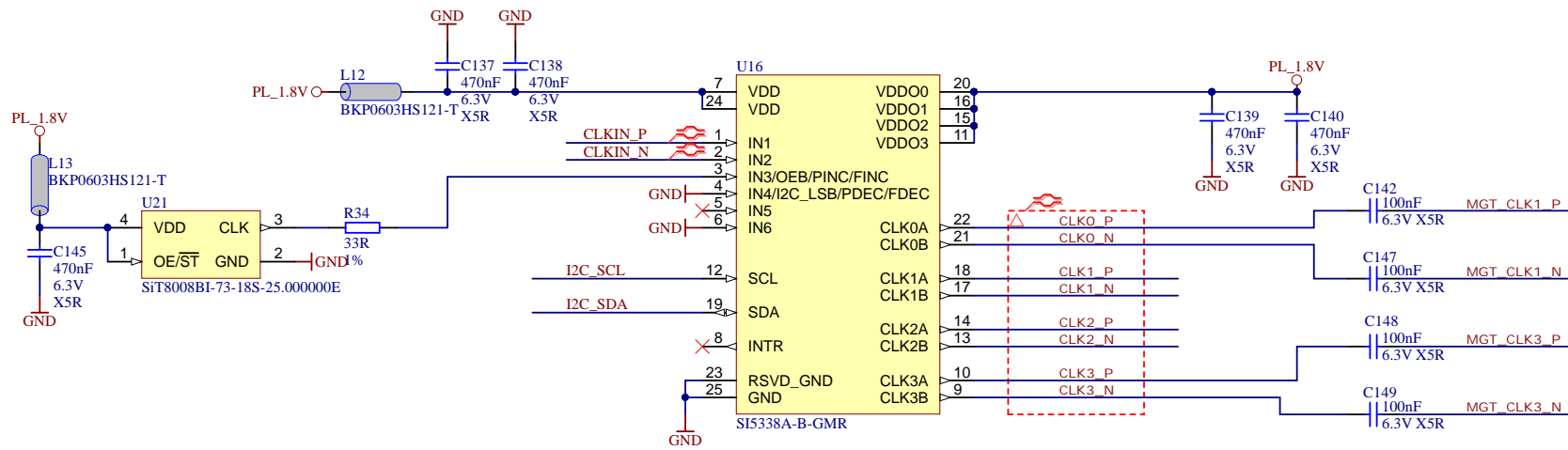
ULPI

OTG_STP
 OTG_NXT
 OTG_DIR
 OTG_CLKR
 OTG_CLK
 OTG_DATA0
 OTG_DATA1
 OTG_DATA2
 OTG_DATA3
 OTG_DATA4
 OTG_DATA5
 OTG_DATA6
 OTG_DATA7

	Title: TE0745 - USB_PHY		
	A4	Number: TE0745 35-1C	Rev. 01
	Date: 2016-04-28	Copyright: Trenz Electronic GmbH / TT	Page 17 of 24
	Filename: USB-PHY.SchDoc		



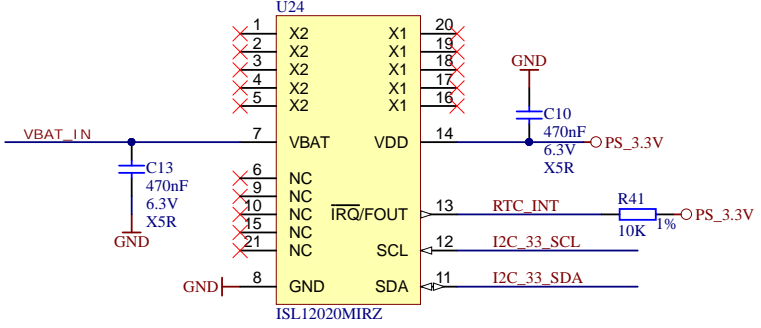
Title: TE0745 - ETH_PHY		
A4	Number: TE0745 35-1C	Rev. 01
Date: 2016-04-28	Copyright: Trenz Electronic GmbH / TT	Page 18 of 24
Filename: ETH-PHY.SchDoc		



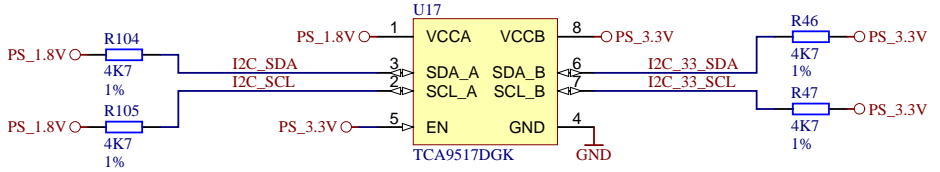
Slave ADDR:
1110000 OR 1110001



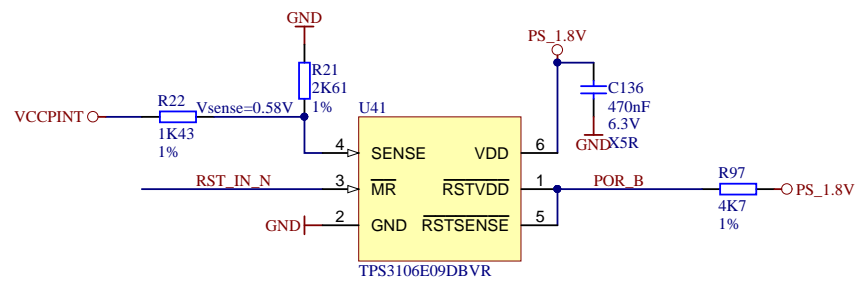
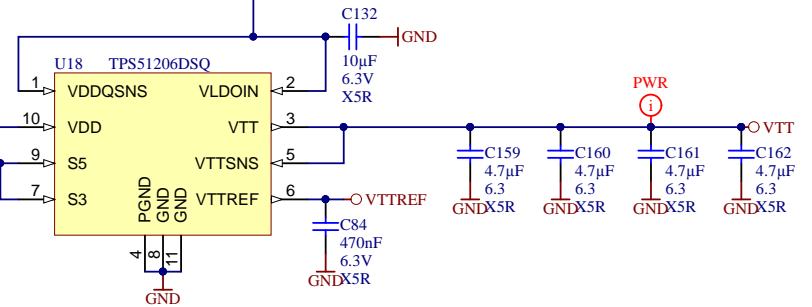
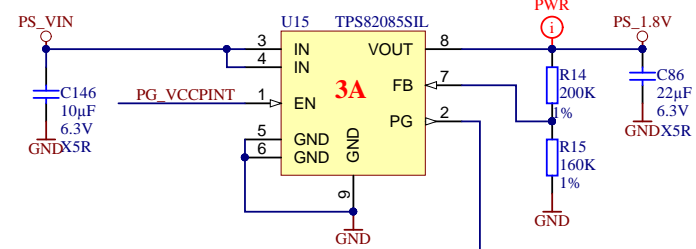
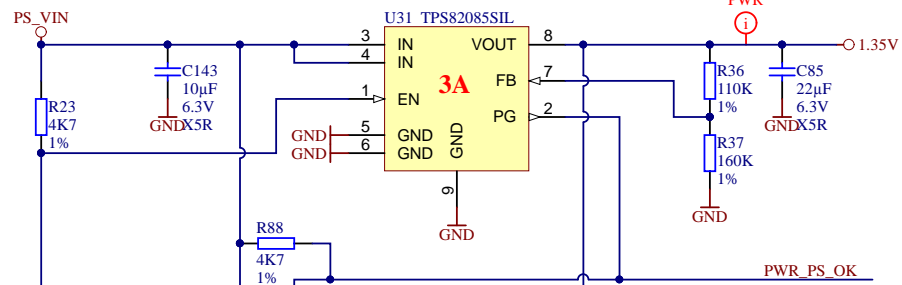
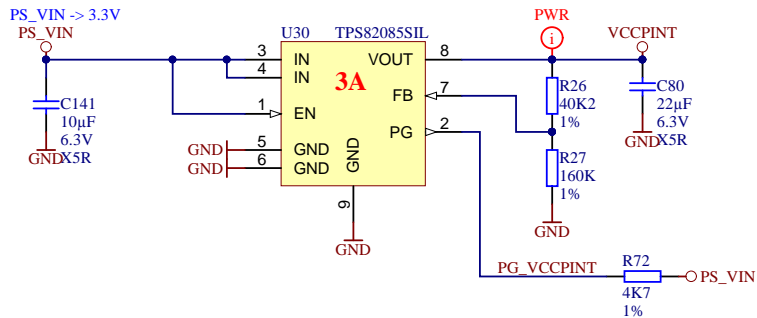
Title: TE0745 - CLK		
A4	Number: TE0745 35-1C	Rev. 01
Date: 2016-04-28	Copyright: Trenz Electronic GmbH / TT	Page 19 of 24
Filename: CLK.SchDoc		



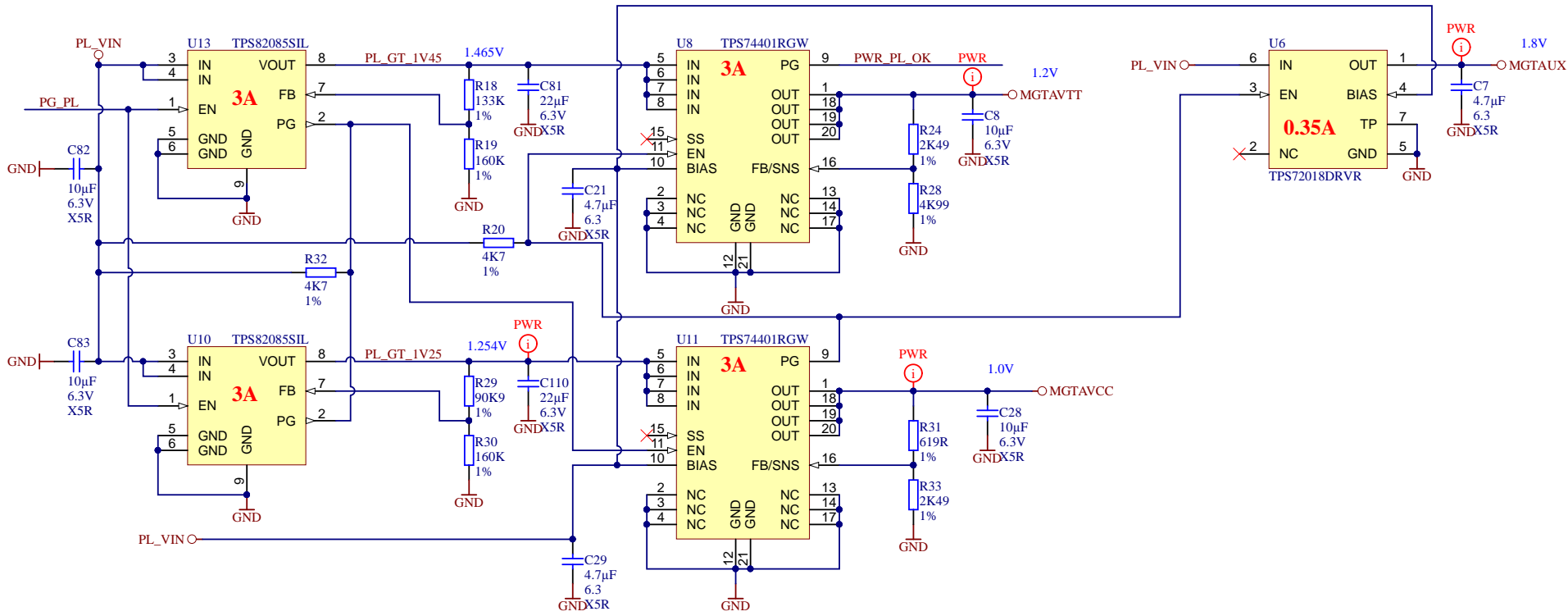
Slave ADDR:
 for RTC registers: 1101111
 for User SRAM: 1010111




Title: TE0745 - RTC		
A4	Number: TE0745 35-1C	Rev. 01
Date: 2016-04-28	Copyright: Trenz Electronic GmbH / TT	Page 20 of 24
Filename: SENSOR-RTC.SchDoc		



Title: TE0745 - Power2		
A4	Number: TE0745 35-1C	Rev. 01
Date: 2016-04-28	Copyright: Trenz Electronic GmbH / TT	Page22 of 24
Filename: POWER_2.SchDoc		



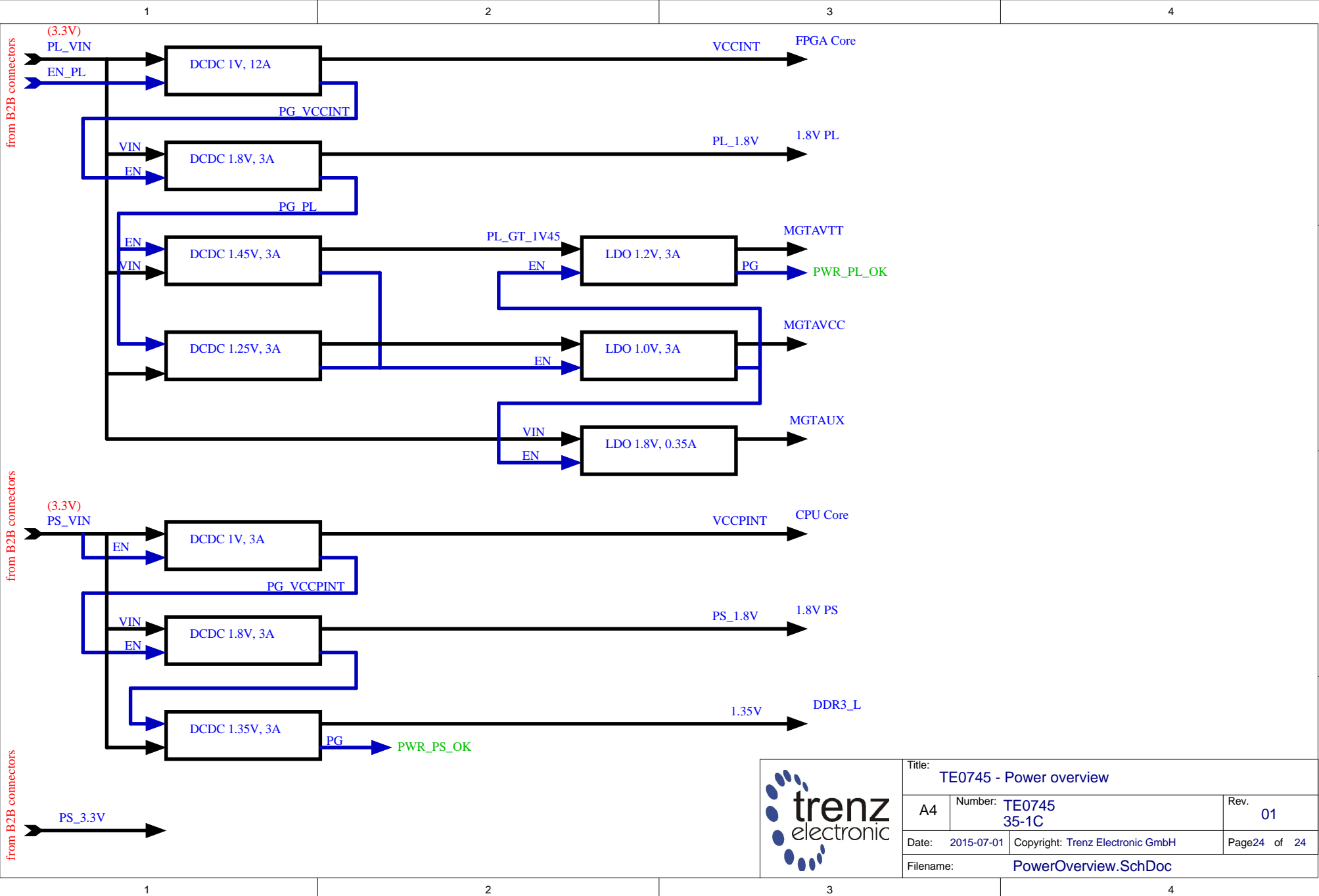
	Title: TE0745 - Power3		
	A4	Number: TE0745 35-1C	Rev. 01
	Date: 2016-04-28	Copyright: Trenz Electronic GmbH / TT	Page23 of 24
	Filename: POWER_3.SchDoc		

1

2

3

4



Title: TE0745 - Power overview		
A4	Number: TE0745 35-1C	Rev. 01
Date: 2015-07-01	Copyright: Trenz Electronic GmbH	Page24 of 24
Filename: PowerOverview.SchDoc		