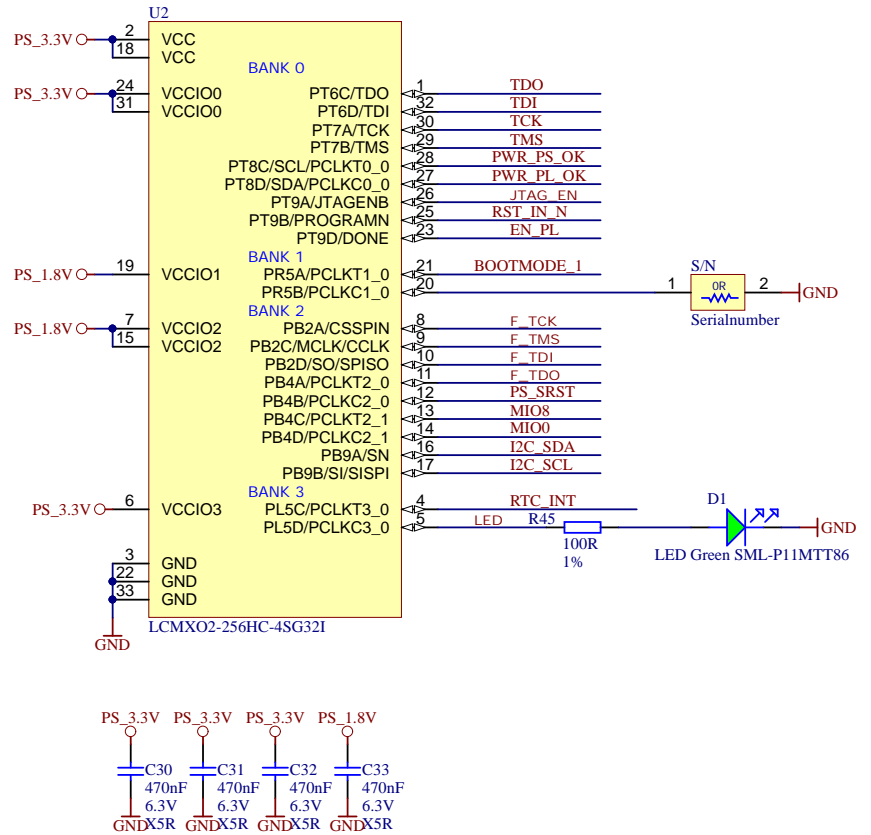
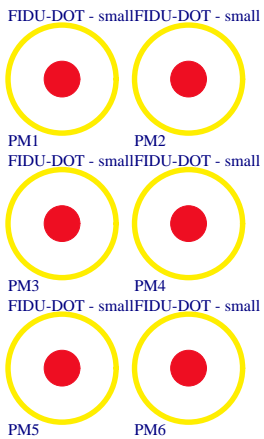
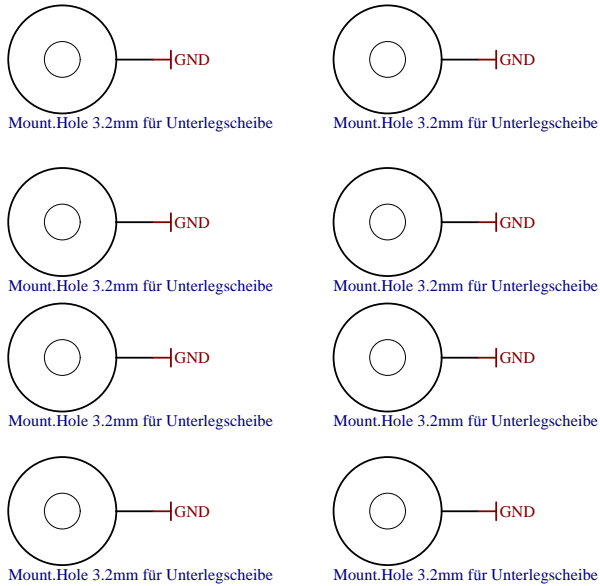
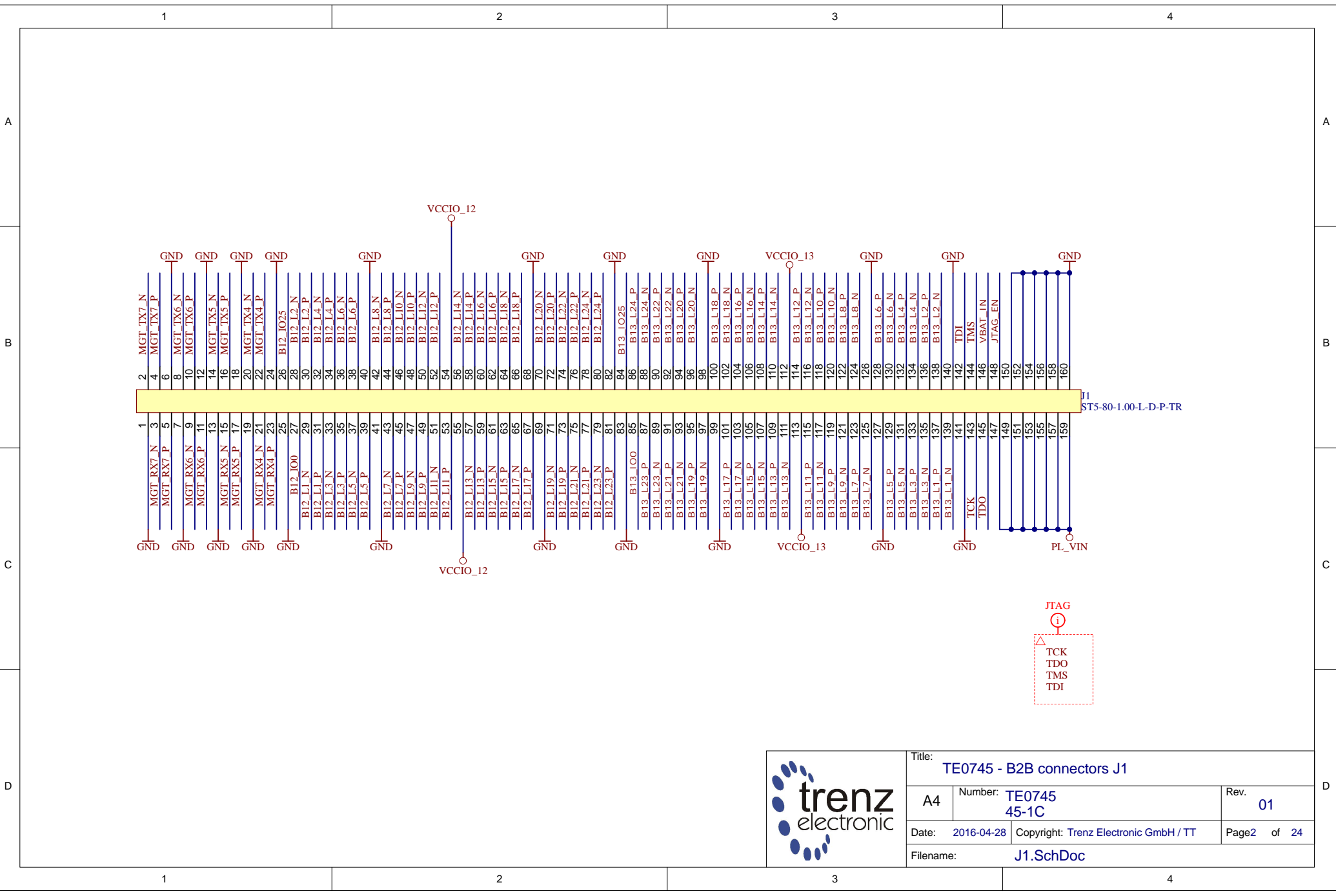



Serial  
Serialnummer 6,3 x 6,3mm

LOGO1  
TE Logo PRINT Layer  
LOGO PRINT



	Title: TE0745	
	A4	Number: TE0745 45-1C
	Date: 2016-04-28	Copyright: Trenz Electronic GmbH / TT
	Rev. 01	Page1 of 24
Filename: TE0745.SchDoc		

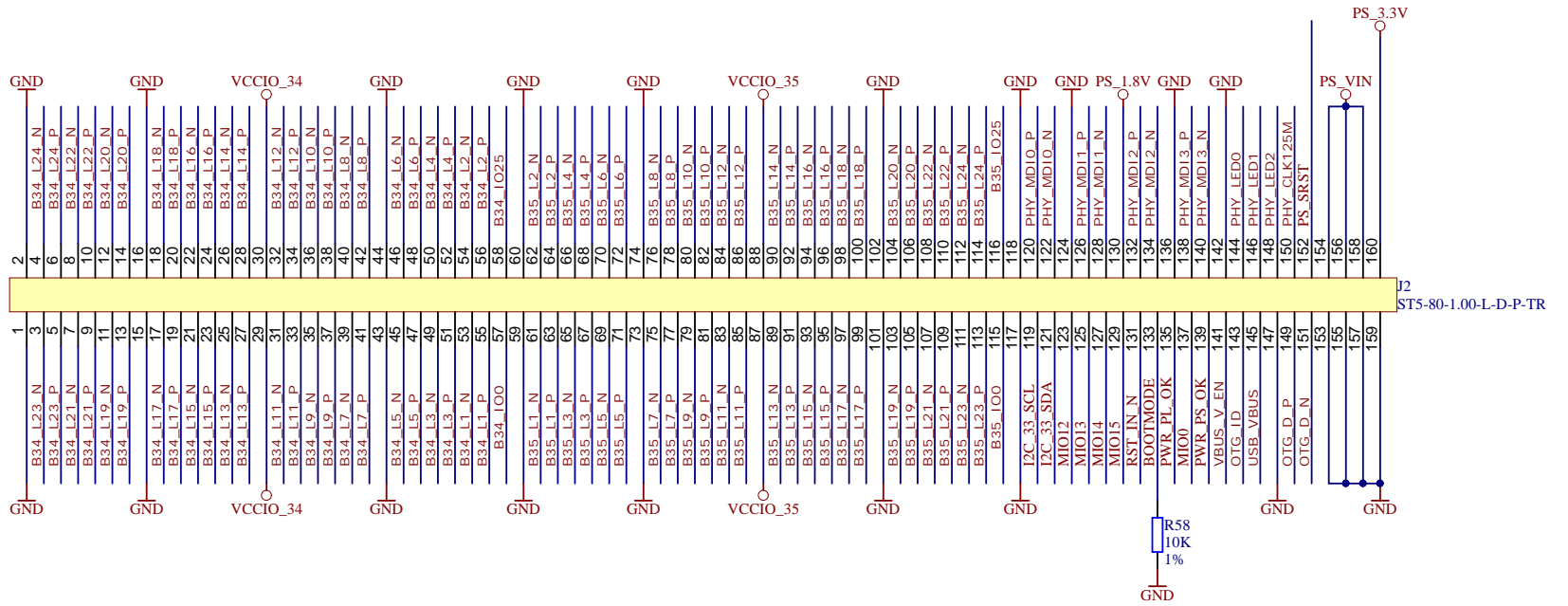


	Title: TE0745 - B2B connectors J1		
	A4	Number: TE0745 45-1C	Rev. 01
	Date: 2016-04-28	Copyright: Trenz Electronic GmbH / TT	Page2 of 24
	Filename: J1.SchDoc		

ETH\_MDI

i

PHY\_MDI1\_P  
 PHY\_MDI1\_N  
 PHY\_MDI3\_P  
 PHY\_MDI3\_N  
 PHY\_MDI0\_P  
 PHY\_MDI0\_N  
 PHY\_MDI2\_P  
 PHY\_MDI2\_N



J2  
 ST5-80-1.00-L-D-P-TR

R58  
 10K  
 1%



Title: TE0745 - B2B connectors J2		
A4	Number: TE0745 45-1C	Rev. 01
Date: 2016-04-28	Copyright: Trenz Electronic GmbH / TT	Page3 of 24
Filename: J2.SchDoc		

1

2

3

4

A

A

B

B

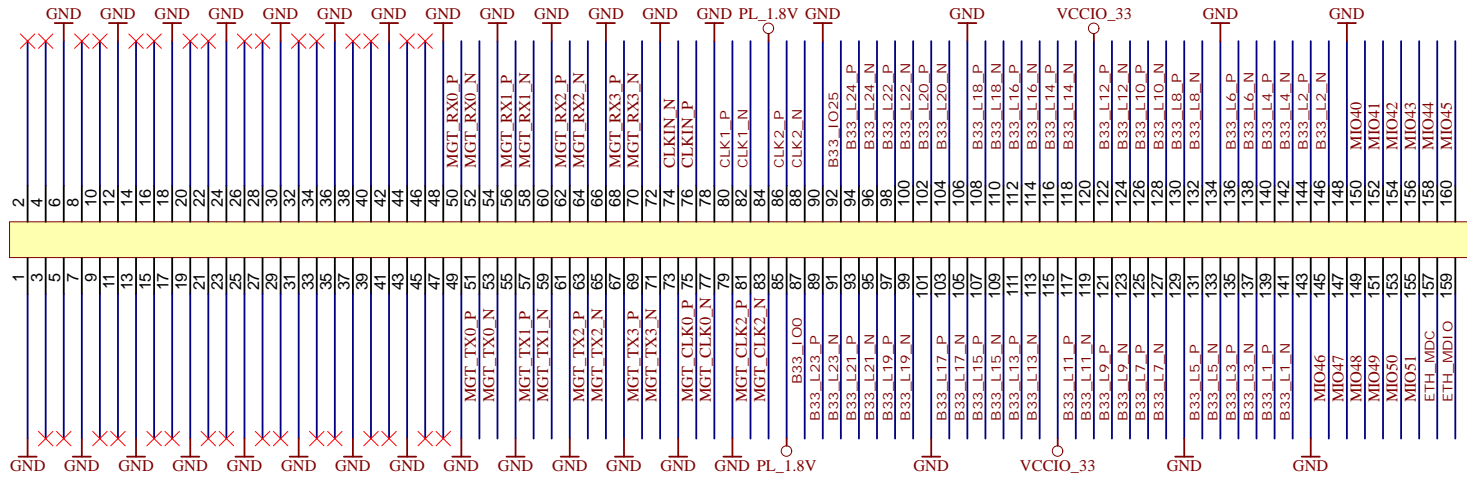
C

C

D

D

RESERVED for additional 8 GTX lanes



J3  
ST5-80-1.00-L-D-P-TR



Title: TE0745 - B2B connectors J3		
A4	Number: TE0745 45-1C	Rev. 01
Date: 2016-04-28	Copyright: Trenz Electronic GmbH / TT	Page4 of 24
Filename: J3.SchDoc		

1

2

3

4

1

2

3

4

U\_B12  
B12.SchDoc



U\_B500  
MIO\_B500.SchDoc



U\_B13  
B13.SchDoc



U\_PS\_DDR  
PS-DDR.SchDoc



U\_B33  
B33.SchDoc



U\_MISC  
ZYNQ\_MISC.SchDoc



U\_B34  
B34.SchDoc



U\_ZYNQ\_POWER  
ZYNQ\_POWER.SchDoc



U\_B35  
B35.SchDoc



U\_FPGA\_MGT  
FPGA\_MGT.SchDoc



Title: TE0745 - Zynq		
A4	Number: TE0745 45-1C	Rev. 01
Date: 2016-04-28	Copyright: Trenz Electronic GmbH / TT	Page5 of 24
Filename: ZYNQ.SchDoc		

1

2

3

4

A

A

B

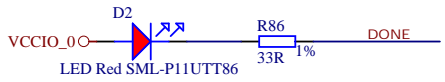
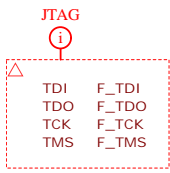
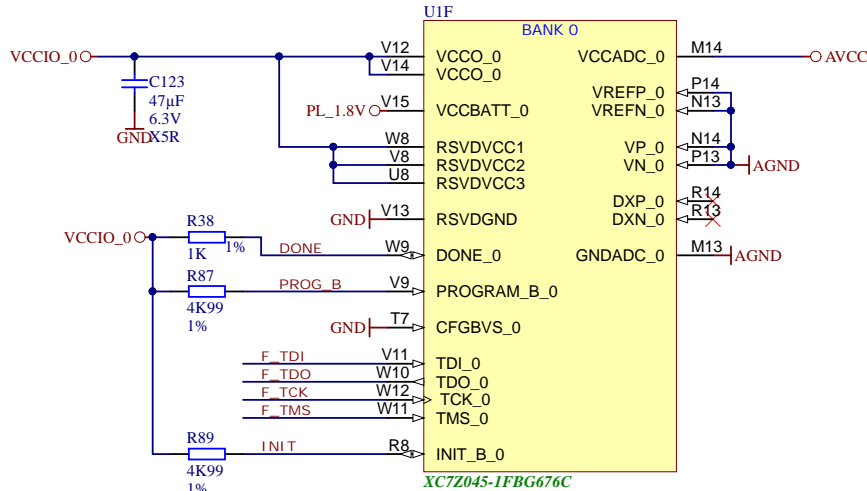
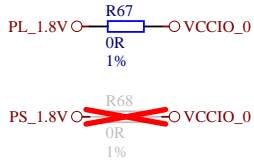
B

C

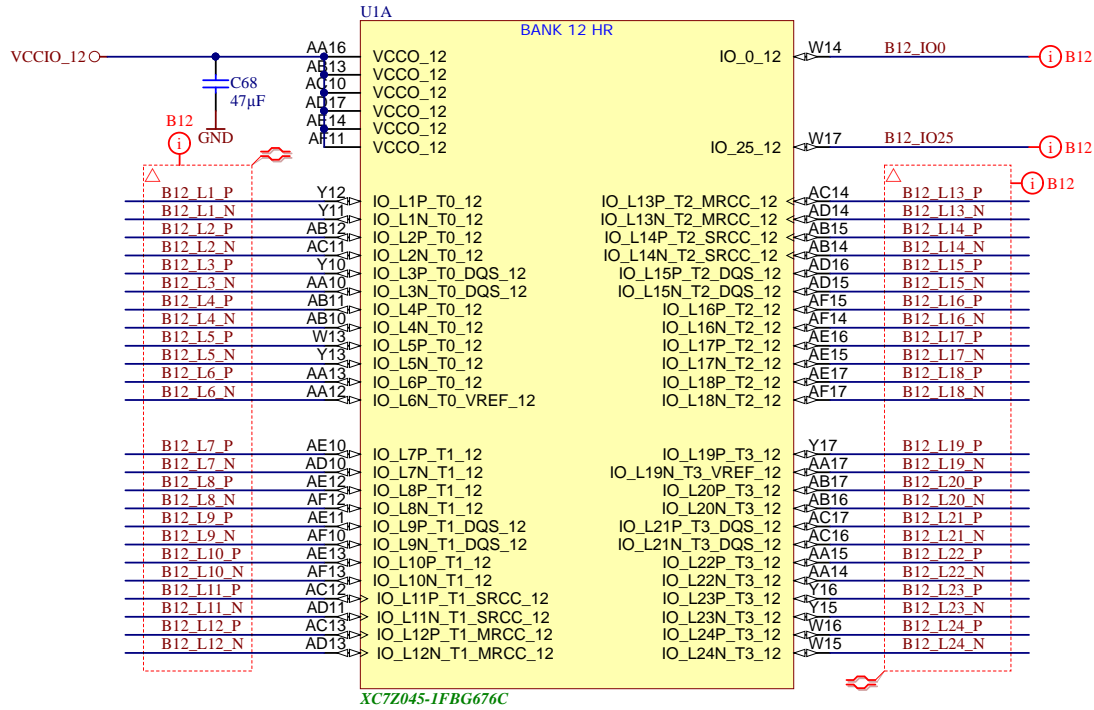
C

D


D

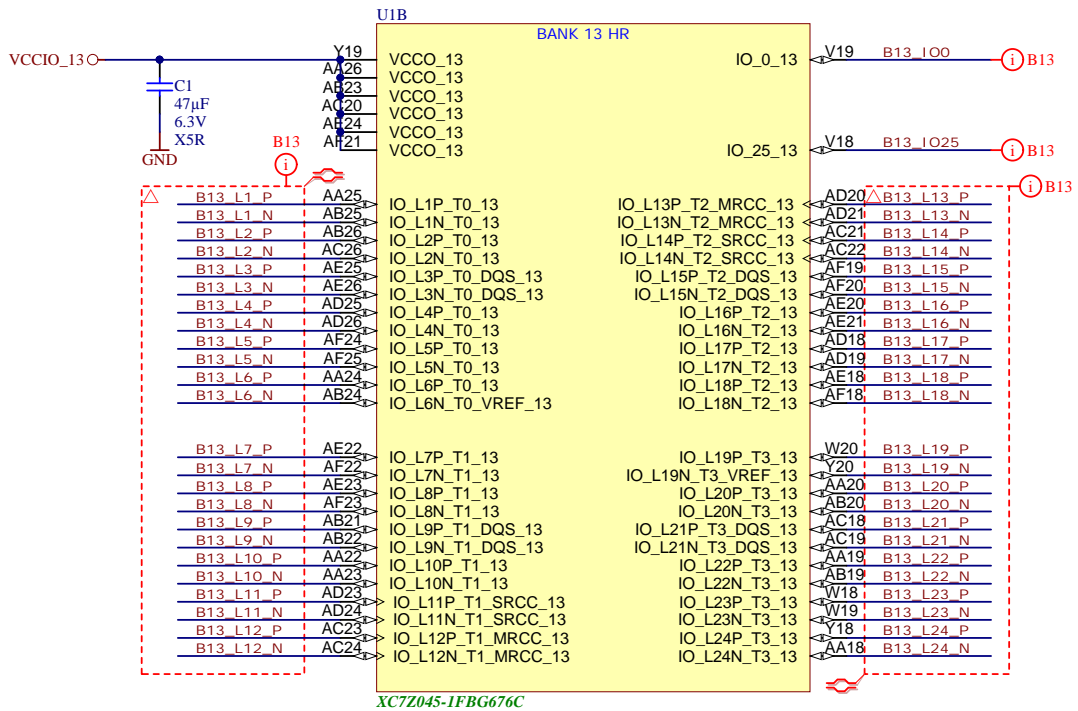


		Title: TE0745 - Zynq_MISC	
		A4	Number: TE0745 45-1C
Date: 2016-04-28		Copyright: Trenz Electronic GmbH / TT	
Filename: ZYNQ_MISC.SchDoc		Page6 of 24	



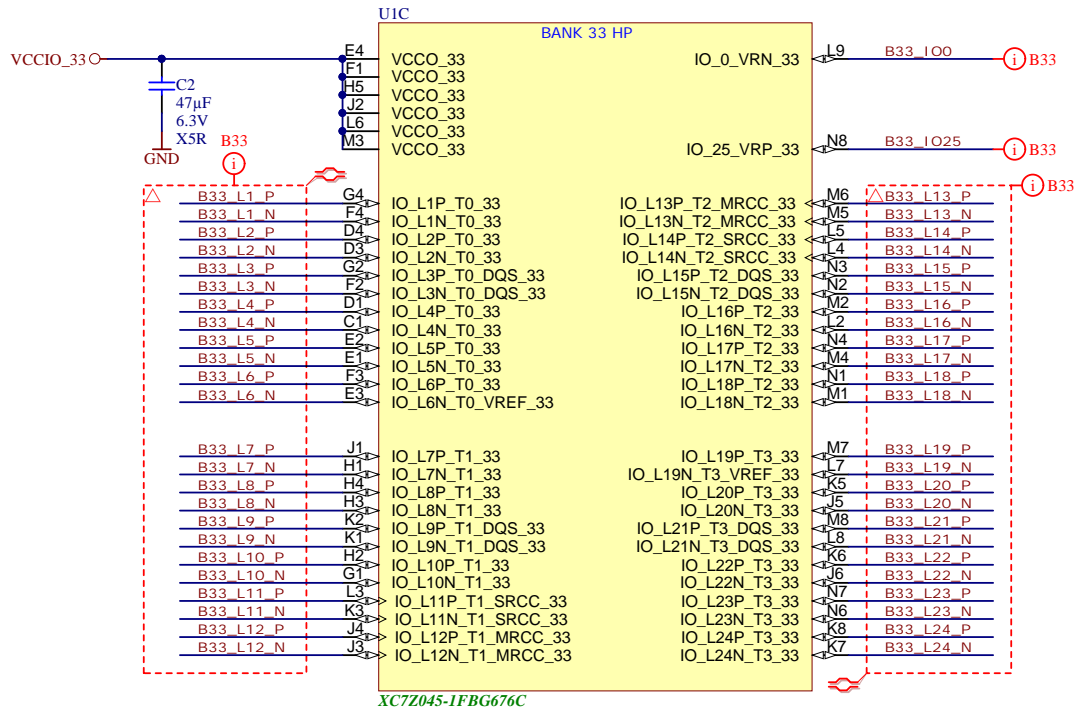
XC7Z045-1FBG676C

	Title: TE0745 - Zynq_B12		
	A4	Number: TE0745 45-1C	Rev. 01
	Date: 2016-04-28	Copyright: Trenz Electronic GmbH / TT	Page7 of 24
	Filename: B12.SchDoc		

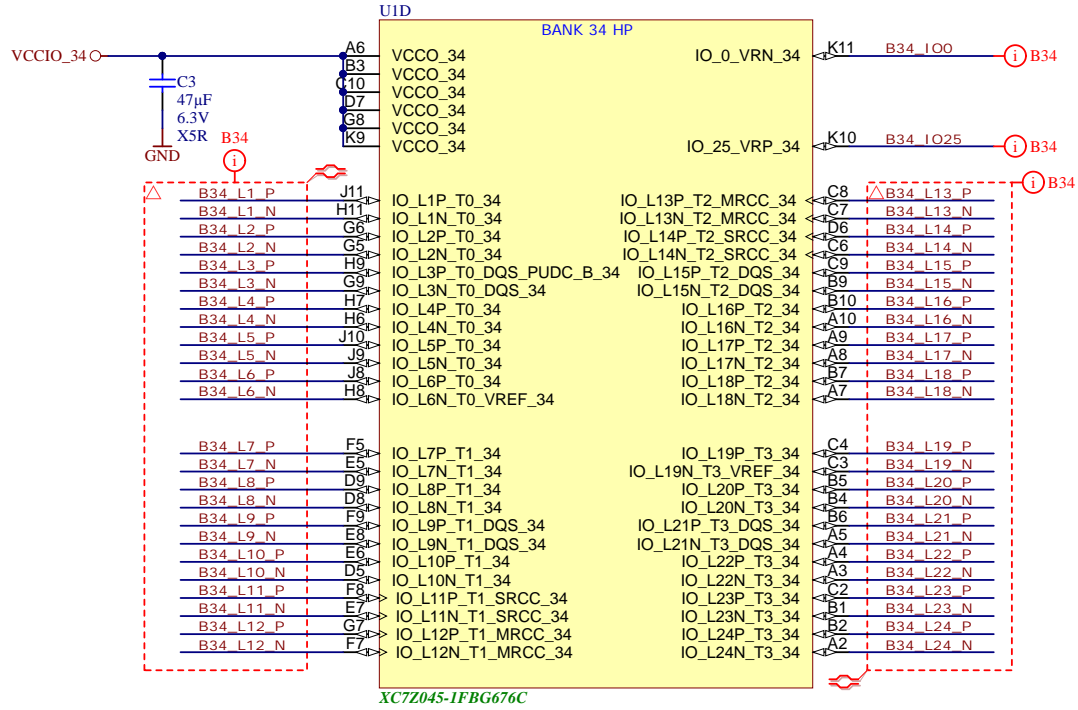


Title: TE0745 - Zynq_B13		
A4	Number: TE0745 45-1C	Rev. 01
Date: 2016-04-28	Copyright: Trenz Electronic GmbH / TT	Page8 of 24
Filename: B13.SchDoc		

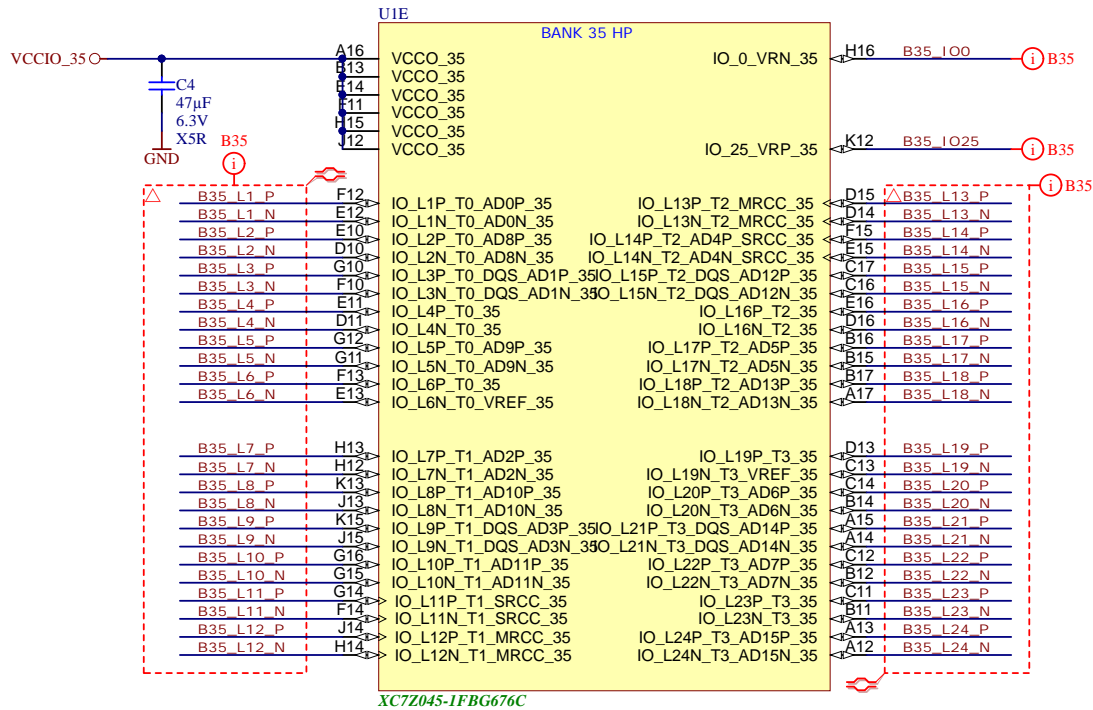





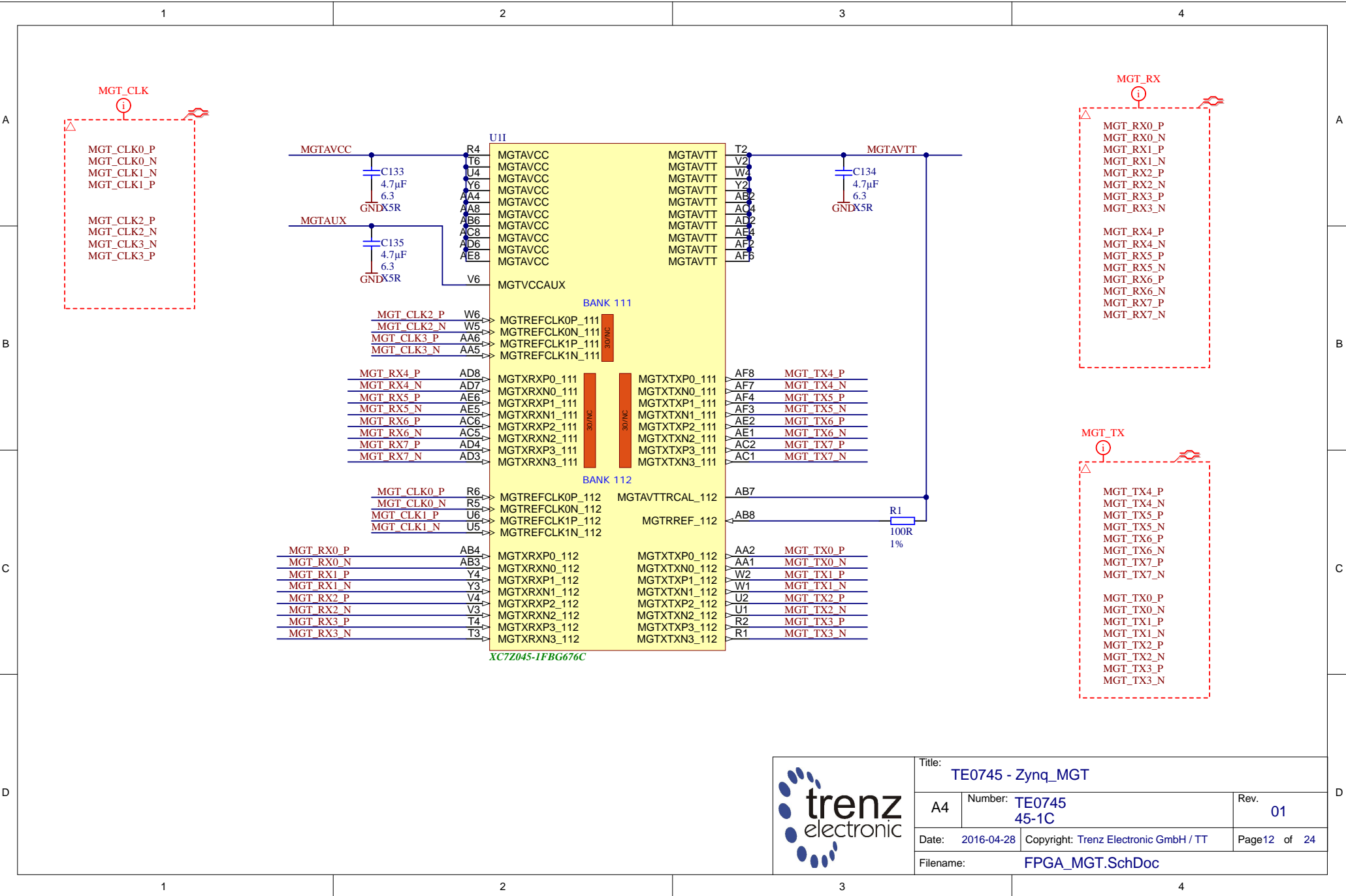
Title: TE0745 - Zynq_B33		
A4	Number: TE0745 45-1C	Rev. 01
Date: 2016-04-28	Copyright: Trenz Electronic GmbH / TT	Page9 of 24
Filename: B33.SchDoc		



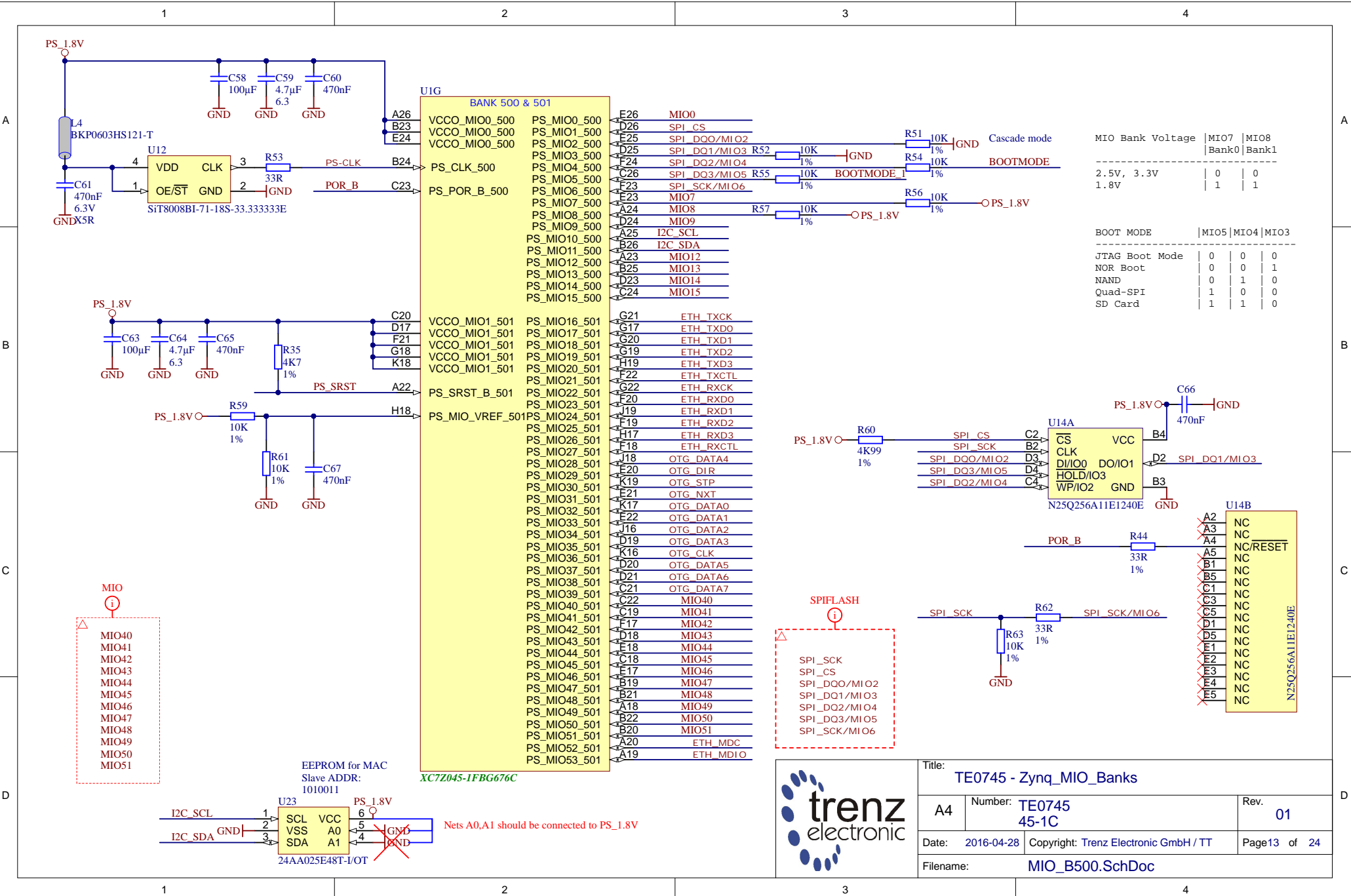
Title: TE0745 - Zynq_B34		
A4	Number: TE0745 45-1C	Rev. 01
Date: 2016-04-28	Copyright: Trenz Electronic GmbH / TT	Page10 of 24
Filename: B34.SchDoc		

Title: TE0745 - Zynq_B35		
A4	Number: TE0745 45-1C	Rev. 01
Date: 2016-04-28	Copyright: Trenz Electronic GmbH / TT	Page 11 of 24
Filename: B35.SchDoc		



	Title: TE0745 - Zynq_MGT		
	A4	Number: TE0745 45-1C	Rev. 01
	Date: 2016-04-28	Copyright: Trenz Electronic GmbH / TT	Page 12 of 24
	Filename: FPGA_MGT.SchDoc		



Title: TE0745 - Zynq_MIO_Banks			
A4	Number: TE0745 45-1C	Rev. 01	
Date: 2016-04-28	Copyright: Trenz Electronic GmbH / TT	Page13 of 24	
Filename: MIO_B500.SchDoc			



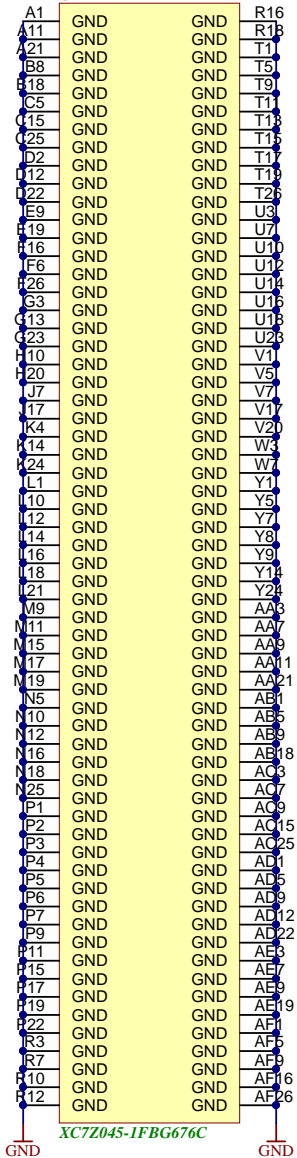
1

2

3

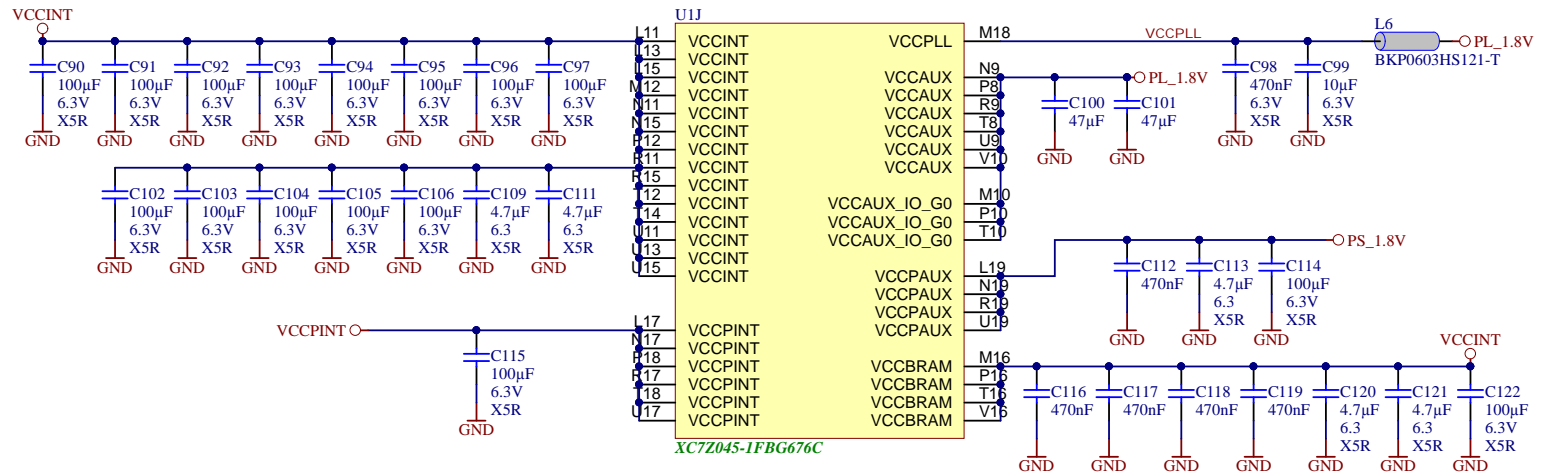
4

UIK



XC7Z045-1FBG676C

Capacitors suitable for XC7Z045



XC7Z045-1FBG676C



Title: TE0745 - Zynq_Power		
A4	Number: TE0745 45-1C	Rev. 01
Date: 2016-04-28	Copyright: Trenz Electronic GmbH / TT	Page 15 of 24
Filename: ZYNC_POWER.SchDoc		

1

2

3

4





1

2

3

4

A

A

B

B

C

C

D

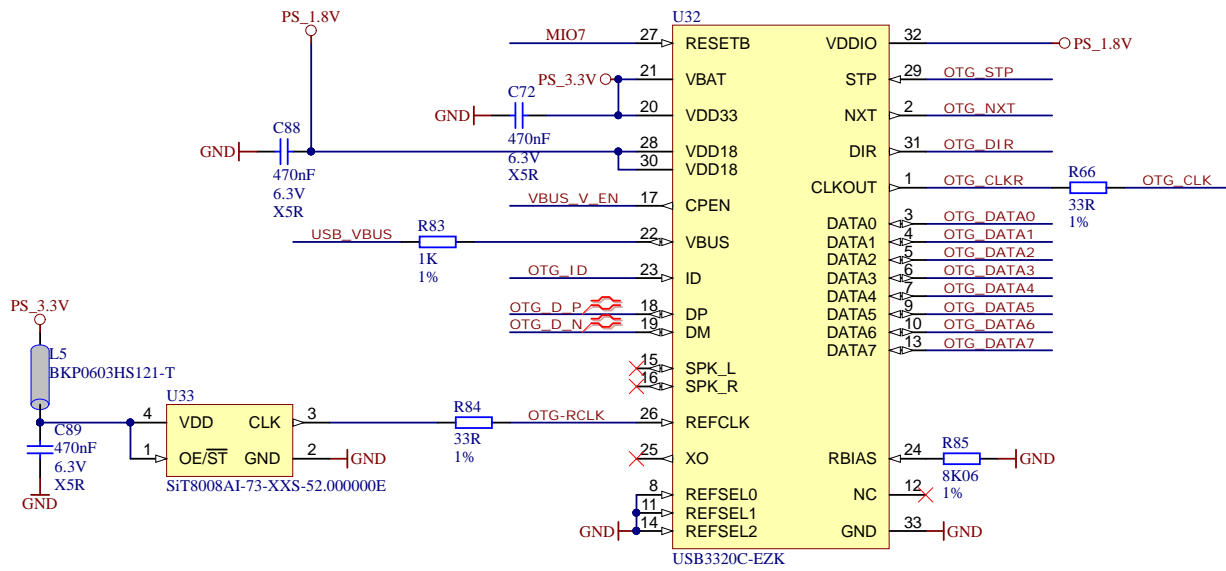
D

1

2

3

4



ULPI

OTG\_STP  
 OTG\_NXT  
 OTG\_DIR  
 OTG\_CLKR  
 OTG\_CLK  
 OTG\_DATA0  
 OTG\_DATA1  
 OTG\_DATA2  
 OTG\_DATA3  
 OTG\_DATA4  
 OTG\_DATA5  
 OTG\_DATA6  
 OTG\_DATA7



Title: TE0745 - USB_PHY		
A4	Number: TE0745 45-1C	Rev. 01
Date: 2016-04-28	Copyright: Trenz Electronic GmbH / TT	Page 17 of 24
Filename: USB-PHY.SchDoc		

1

2

3

4

A

A

B

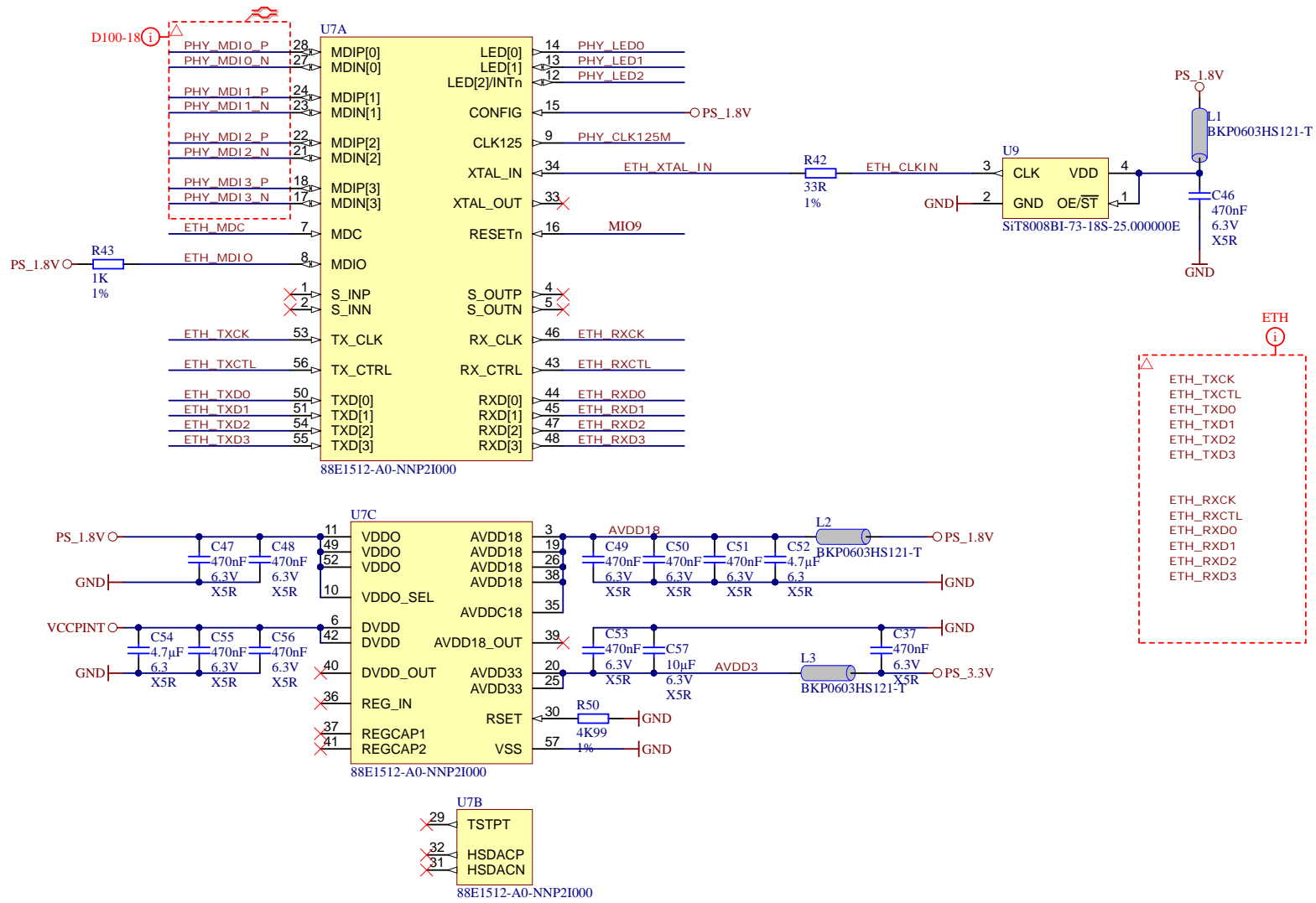
B

C

C

D

D



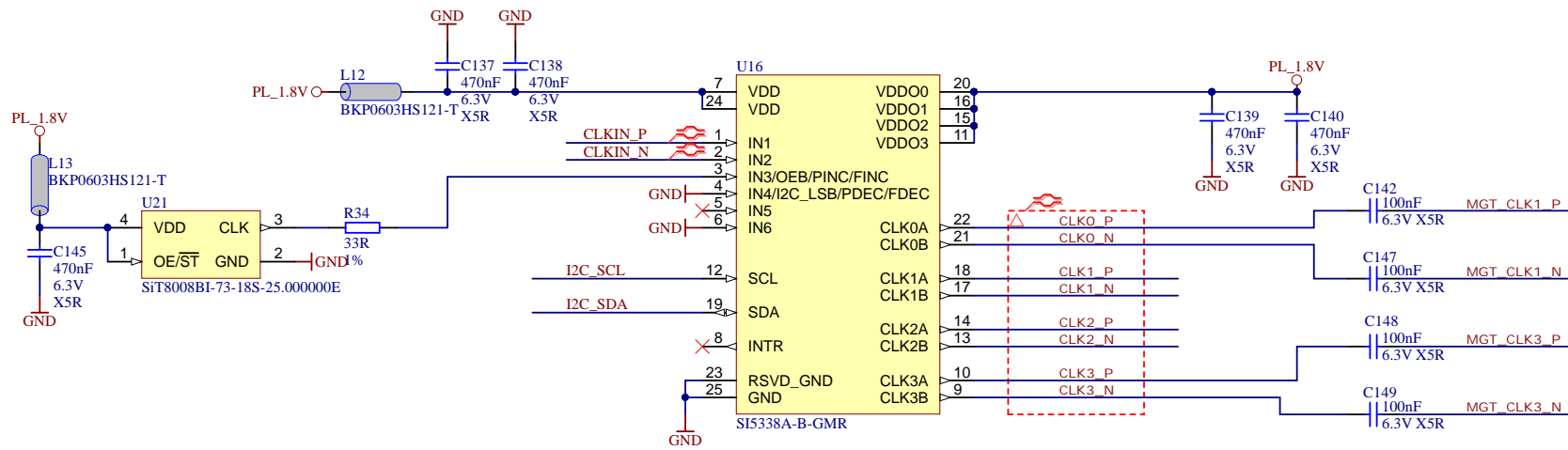
	Title: TE0745 - ETH_PHY	
	A4	Number: TE0745 45-1C
	Date: 2016-04-28	Copyright: Trenz Electronic GmbH / TT
	Filename: ETH-PHY.SchDoc	Rev. 01

1

2

3

4



Slave ADDR:  
1110000 OR 1110001

	Title: TE0745 - CLK	
	A4	Number: TE0745 45-1C
	Date: 2016-04-28	Copyright: Trenz Electronic GmbH / TT
	Filename: CLK.SchDoc	Rev. 01
		Page 19 of 24

1

2

3

4

A

A

B

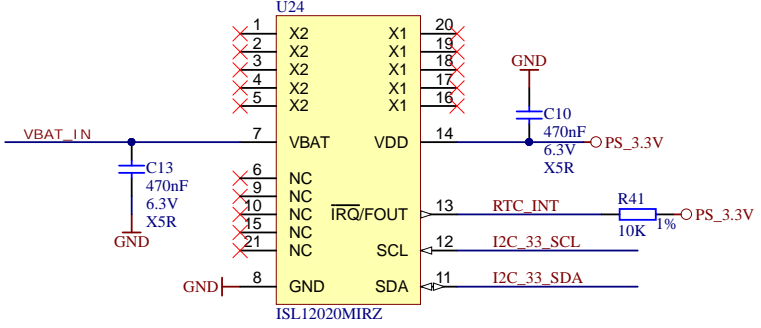
B

C

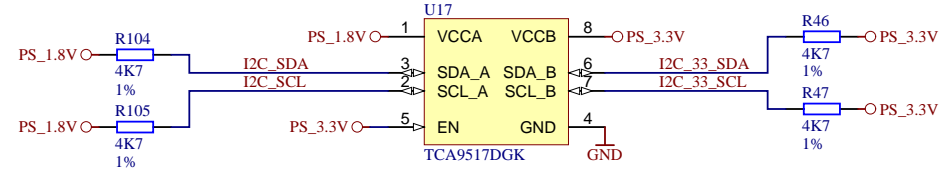
C

D

D



Slave ADDR:  
 for RTC registers: 1101111  
 for User SRAM: 1010111



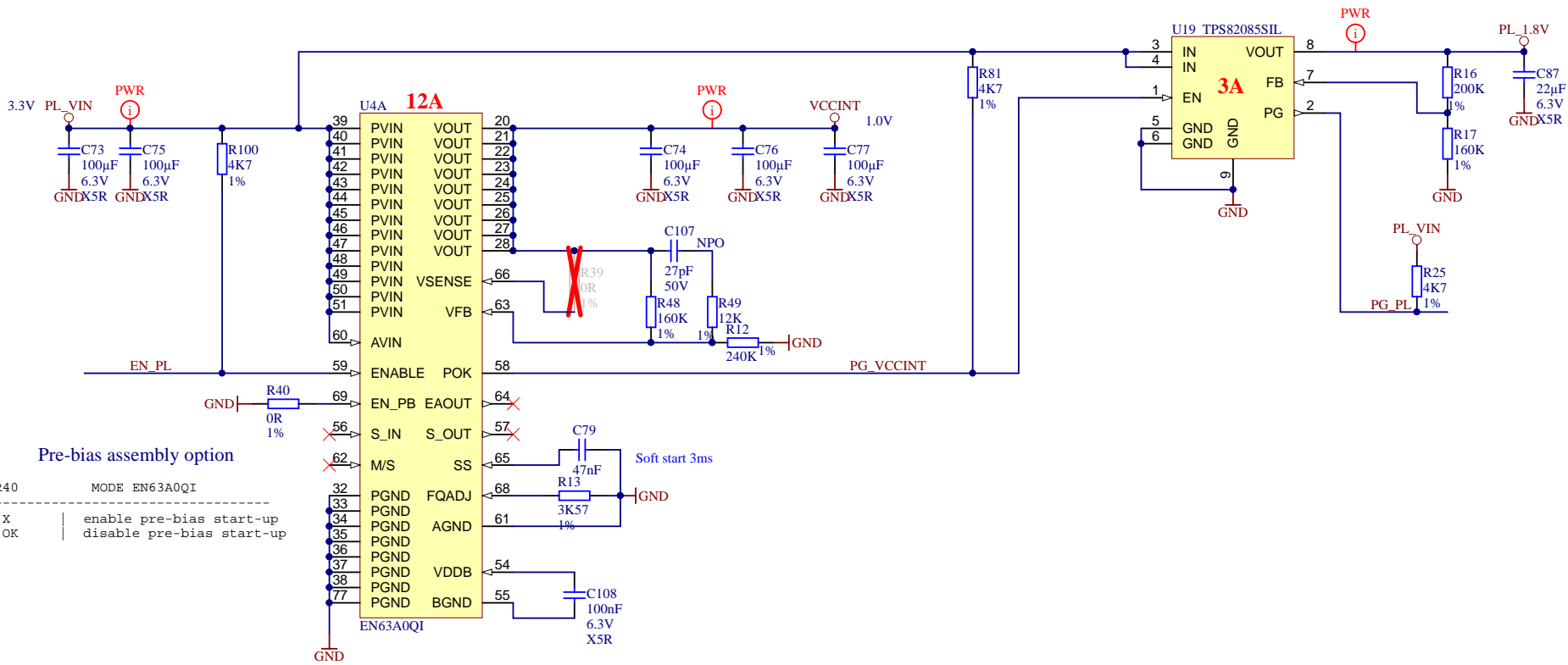
Title: TE0745 - RTC		
A4	Number: TE0745 45-1C	Rev. 01
Date: 2016-04-28	Copyright: Trenz Electronic GmbH / TT	Page 20 of 24
Filename: SENSOR-RTC.SchDoc		

1

2

3

4

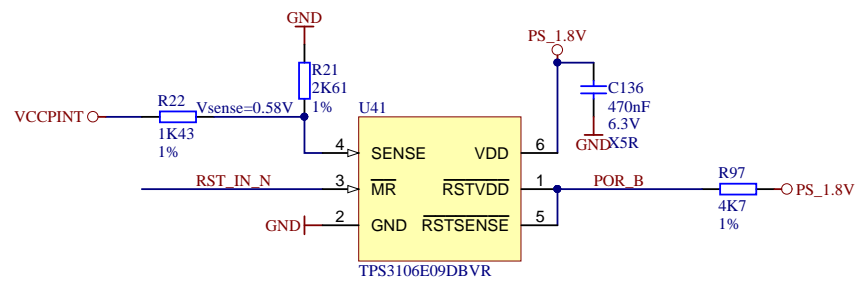
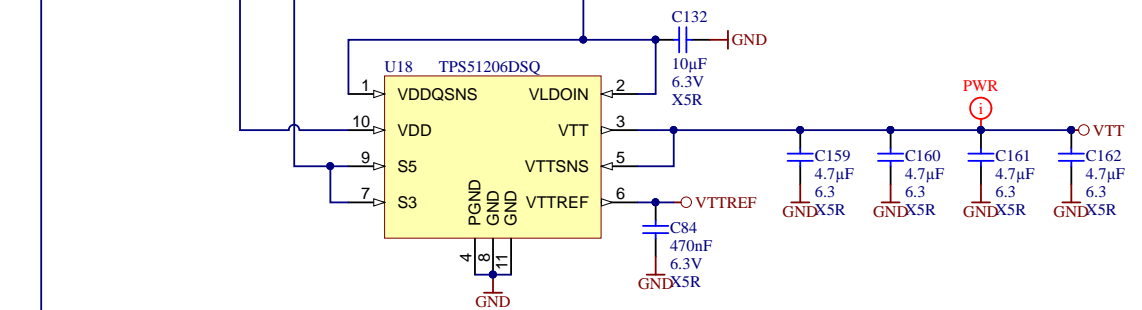
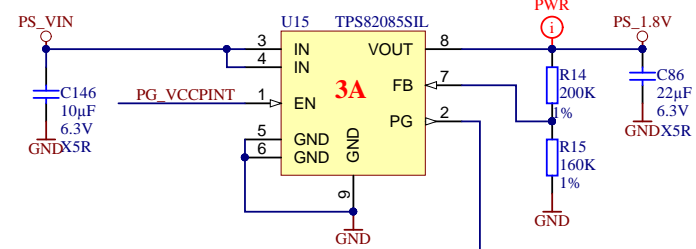
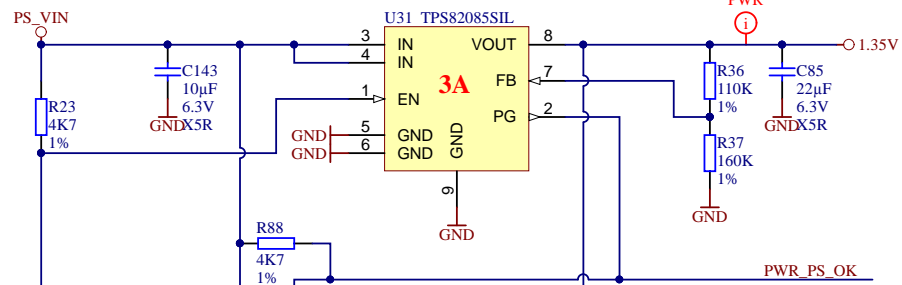
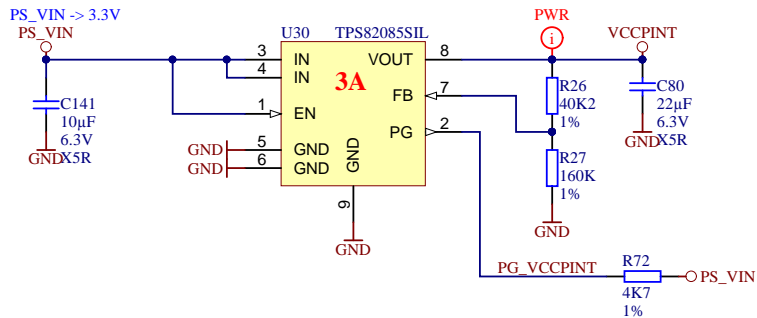


**Pre-bias assembly option**

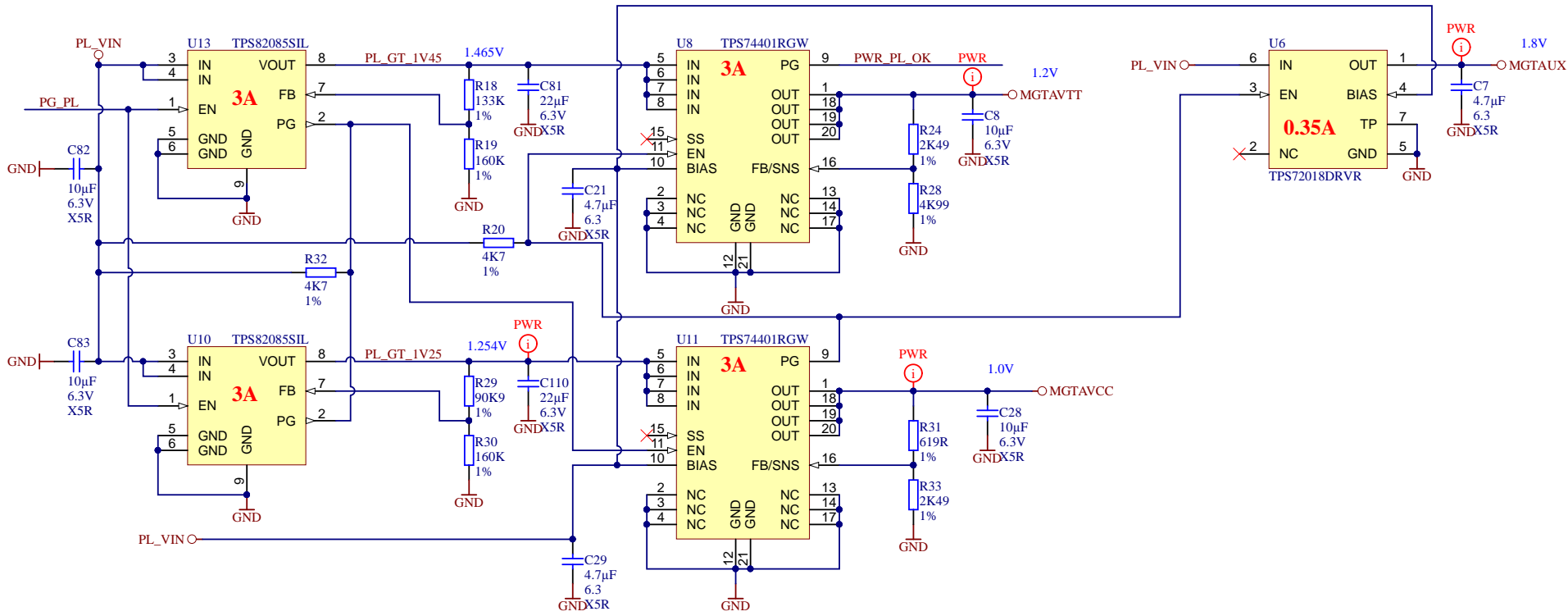
R39 R40      MODE EN63A0QI  
 -----  
 OK   X      enable pre-bias start-up  
 X   OK      disable pre-bias start-up


U4B	
1	NC
2	NC
3	NC
4	NC
5	NC
6	NC
7	NC
8	NC
9	NC
10	NC
11	NC
12	NC
13	NC
14	NC
15	NC
16	NC

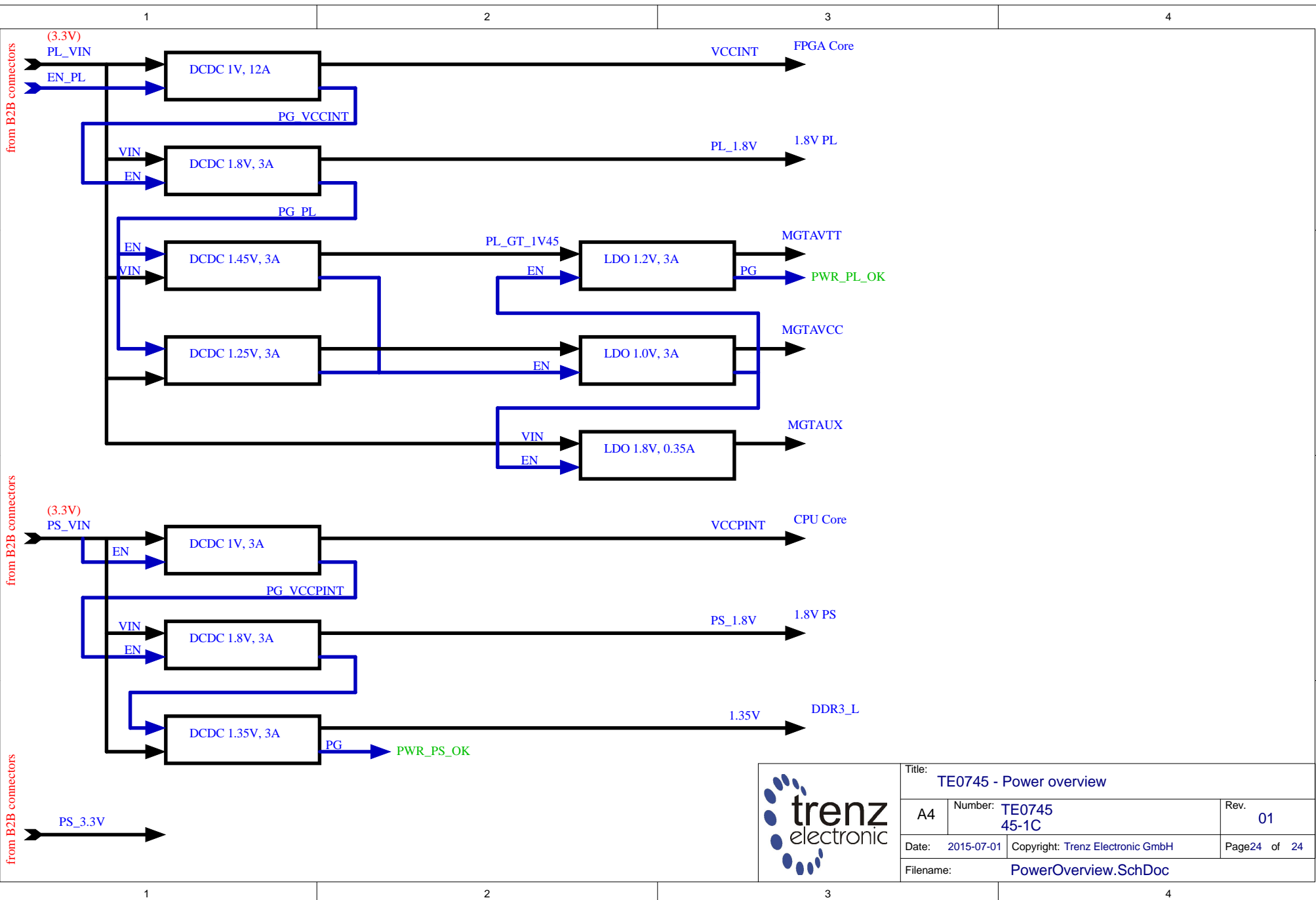
	Title: <b>TE0745 - Power</b>		
	A4	Number: <b>TE0745 45-1C</b>	Rev. <b>01</b>
	Date: 2016-04-28	Copyright: Trenz Electronic GmbH / TT	Page21 of 24
	Filename: <b>POWER.SchDoc</b>		



Title: TE0745 - Power2		
A4	Number: TE0745 45-1C	Rev. 01
Date: 2016-04-28	Copyright: Trenz Electronic GmbH / TT	Page22 of 24
Filename: POWER_2.SchDoc		



	Title: TE0745 - Power3		
	A4	Number: TE0745 45-1C	Rev. 01
	Date: 2016-04-28	Copyright: Trenz Electronic GmbH / TT	Page23 of 24
	Filename: POWER_3.SchDoc		



Title: TE0745 - Power overview		
A4	Number: TE0745 45-1C	Rev. 01
Date: 2015-07-01	Copyright: Trenz Electronic GmbH	Page24 of 24
Filename: PowerOverview.SchDoc		