

1

2

3

4

CHANGES REV01 to REV02

- 1) MAC EEPROM Address patch fixed on PCB
- 2) lib components update

A

A

B

B

C

C

D

D



Title: TE0745		
A4	Number: 1 35-1C	Rev. 02
Date: 2016-04-28	Copyright: Trenz Electronic GmbH / TT	Page1 of 25
Filename: Revision Changes.SchDoc		

1

2

3

4

U_J1
J1.SchDoc

U_J2
J2.SchDoc

U_J3
J3.SchDoc

U_ZYNQ
ZYNQ.SchDoc

U_POWER
POWER.SchDoc

U_POWER_2
POWER_2.SchDoc

U_RTC
SENSOR-RTC.SchDoc

U_POWER_3
POWER_3.SchDoc

U_CLK
CLK.SchDoc

U_DDR3
DDR3-RAM.SchDoc

U_ETH_PHY
ETH-PHY.SchDoc

U_USB_PHY
USB-PHY.SchDoc

U_PowerOverview
PowerOverview.SchDoc

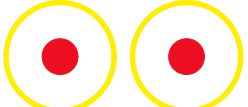
U_Revision Changes
Revision Changes.SchDoc

LOGO1
TE Logo PRINT Layer
LOGO PRINT

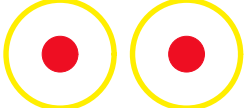
FIDU-DOT - small



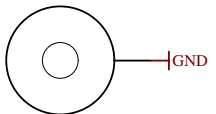
PM1 PM2
FIDU-DOT - small



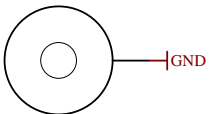
PM3 PM4
FIDU-DOT - small



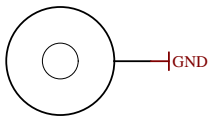
PM5 PM6



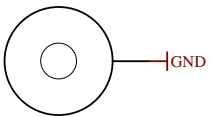
Mount.Hole 3.2mm für Unterlegscheibe



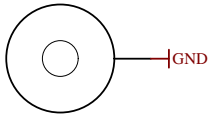
Mount.Hole 3.2mm für Unterlegscheibe



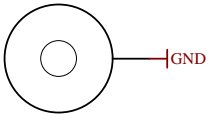
Mount.Hole 3.2mm für Unterlegscheibe



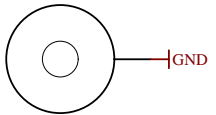
Mount.Hole 3.2mm für Unterlegscheibe



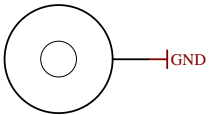
Mount.Hole 3.2mm für Unterlegscheibe



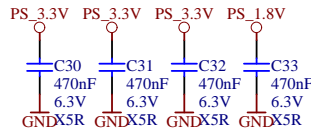
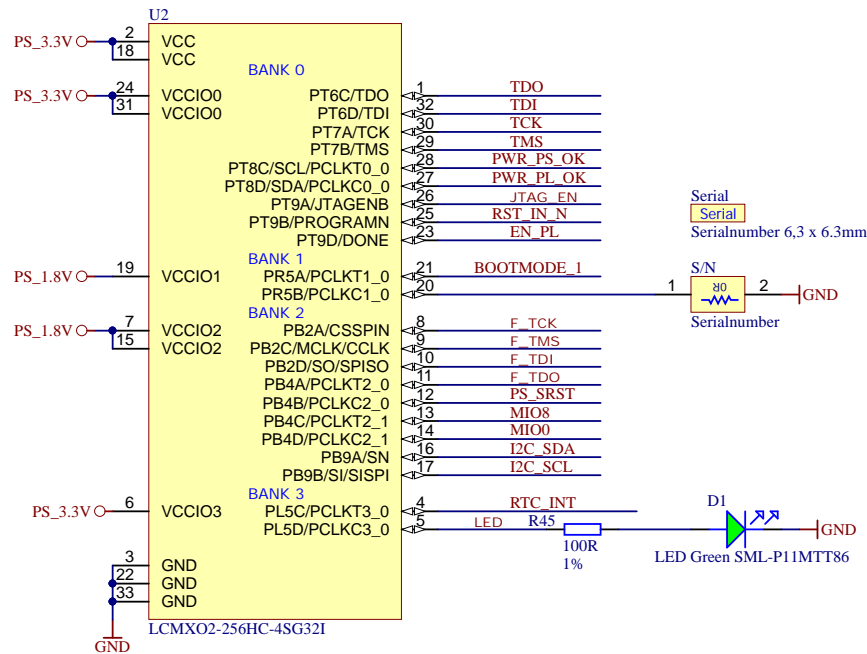
Mount.Hole 3.2mm für Unterlegscheibe



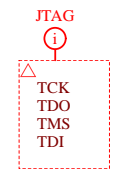
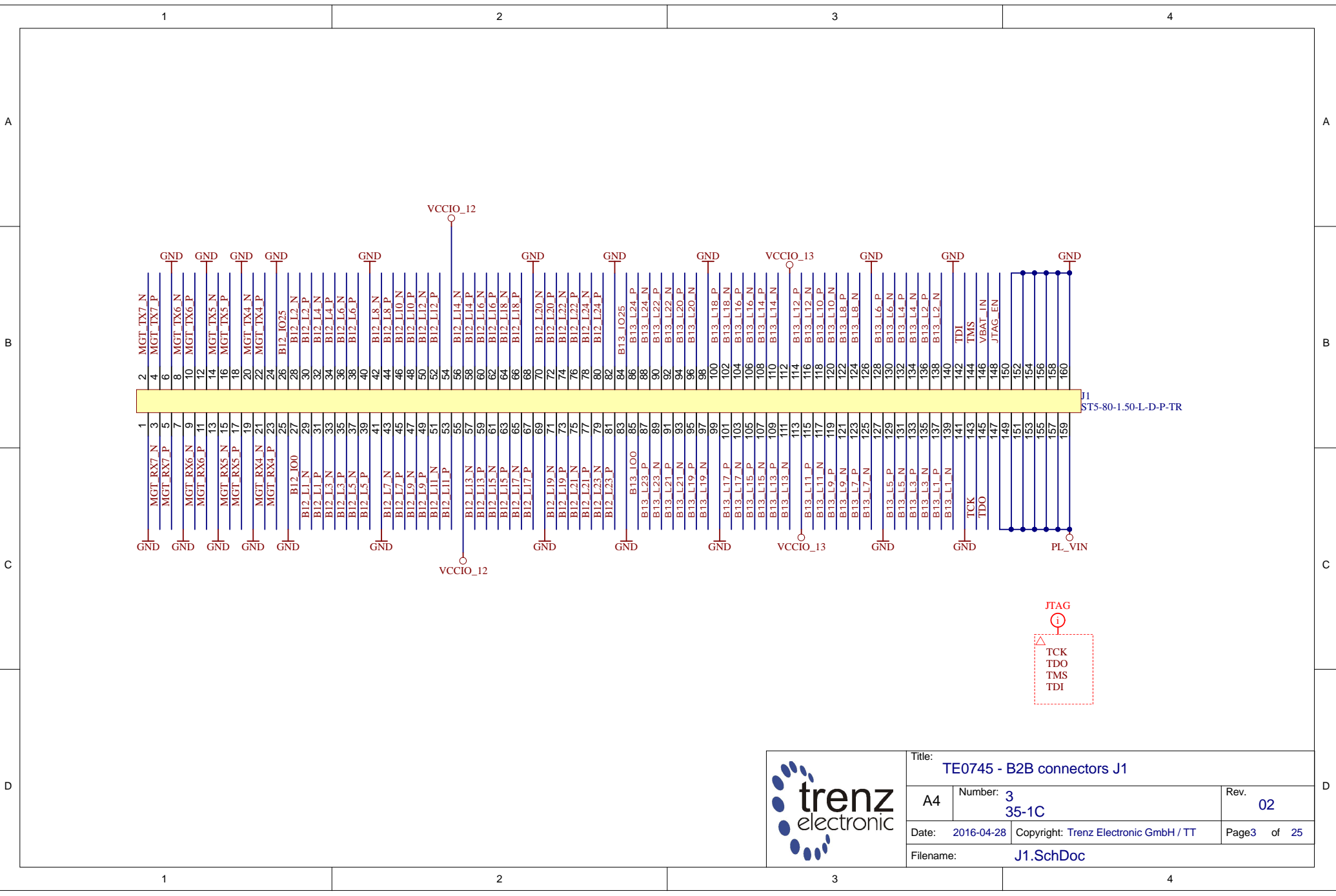
Mount.Hole 3.2mm für Unterlegscheibe



Mount.Hole 3.2mm für Unterlegscheibe



Title: TE0745		
A4	Number: 2 35-1C	Rev. 02
Date: 2016-04-28	Copyright: Trenz Electronic GmbH / TT	Page2 of 25
Filename: TE0745.SchDoc		

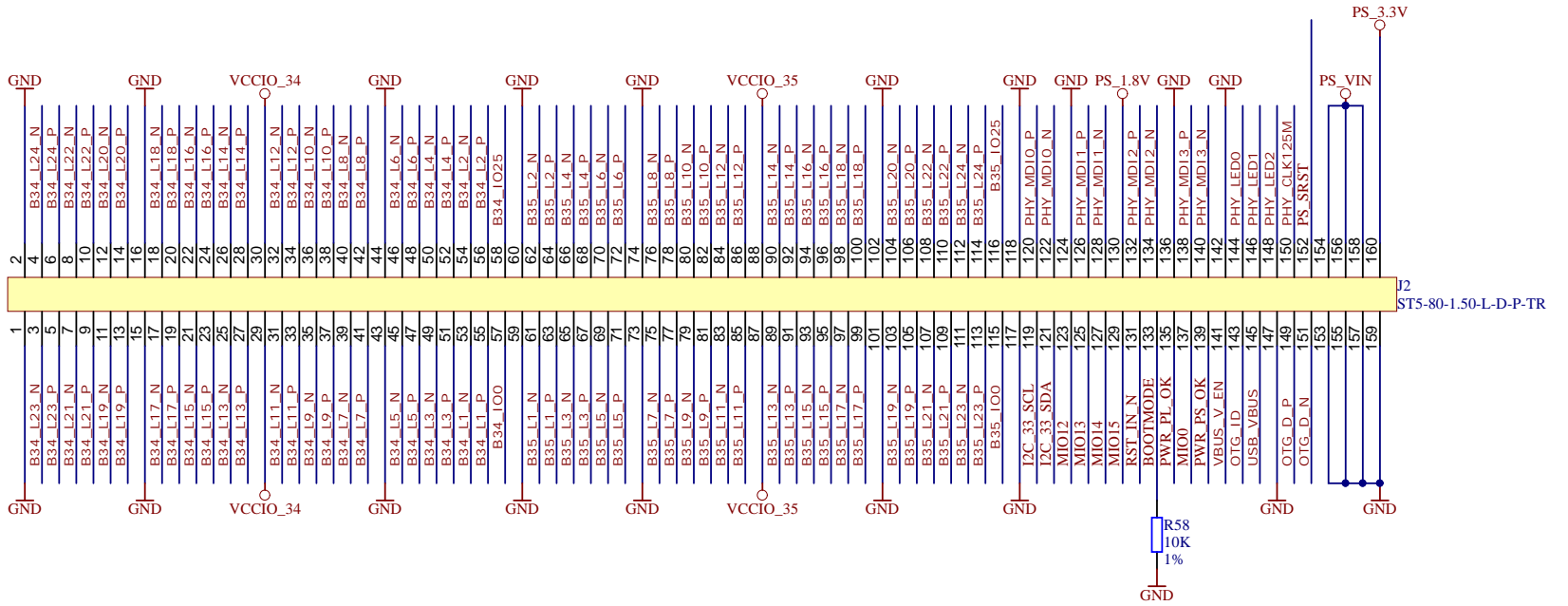


	Title: TE0745 - B2B connectors J1		
	A4	Number: 3 35-1C	Rev. 02
	Date: 2016-04-28	Copyright: Trenz Electronic GmbH / TT	Page3 of 25
	Filename: J1.SchDoc		

ETH_MDI

i

PHY_MDI1_P
 PHY_MDI1_N
 PHY_MDI3_P
 PHY_MDI3_N
 PHY_MDI0_P
 PHY_MDI0_N
 PHY_MDI2_P
 PHY_MDI2_N



Title: TE0745 - B2B connectors J2		
A4	Number: 4 35-1C	Rev. 02
Date: 2016-04-28	Copyright: Trenz Electronic GmbH / TT	Page4 of 25
Filename: J2.SchDoc		

1

2

3

4

A

A

B

B

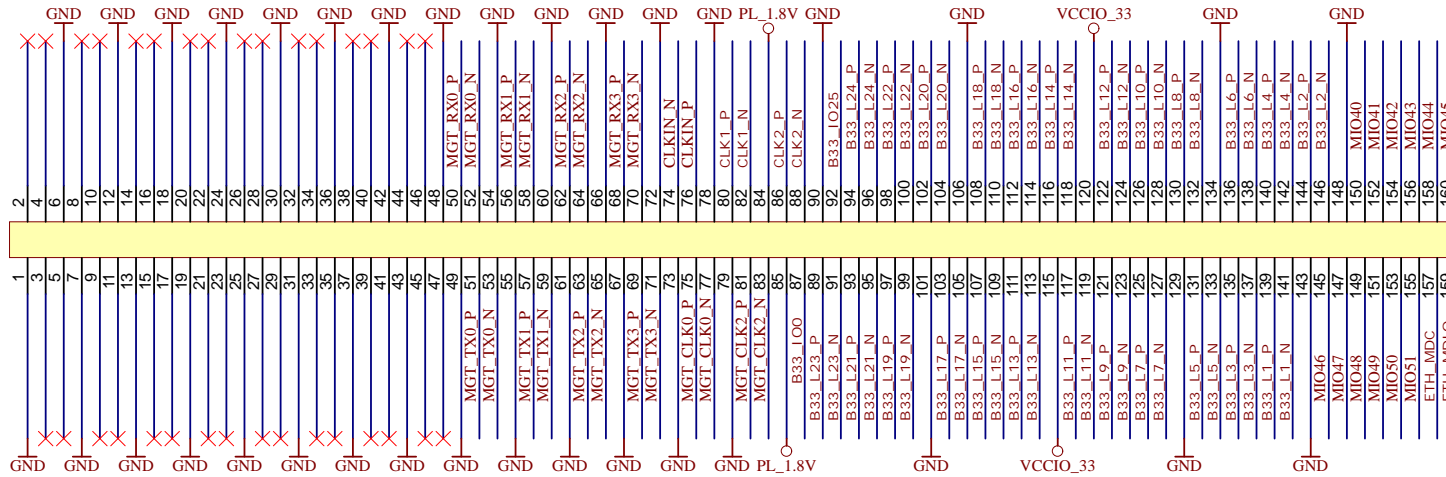
C

C

D

D

RESERVED for additional 8 GTX lanes



J3
ST5-80-1.50-L-D-P-TR



Title: TE0745 - B2B connectors J3		
A4	Number: 5 35-1C	Rev. 02
Date: 2016-04-28	Copyright: Trenz Electronic GmbH / TT	Page5 of 25
Filename: J3.SchDoc		

1

2

3

4

1

2

3

4

U_B12
B12.SchDoc



U_B500
MIO_B500.SchDoc



U_B13
B13.SchDoc



U_PS_DDR
PS-DDR.SchDoc



U_B33
B33.SchDoc



U_MISC
ZYNQ_MISC.SchDoc



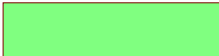
U_B34
B34.SchDoc



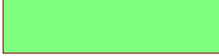
U_ZYNQ_POWER
ZYNQ_POWER.SchDoc



U_B35
B35.SchDoc



U_FPGA_MGT
FPGA_MGT.SchDoc



1

2

3

4

A

A

B


B

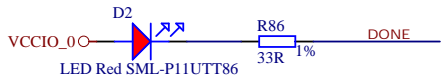
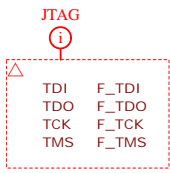
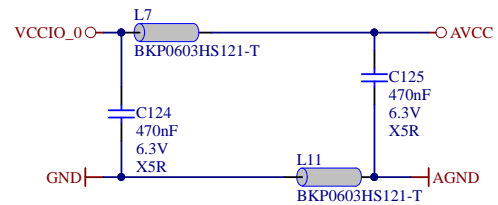
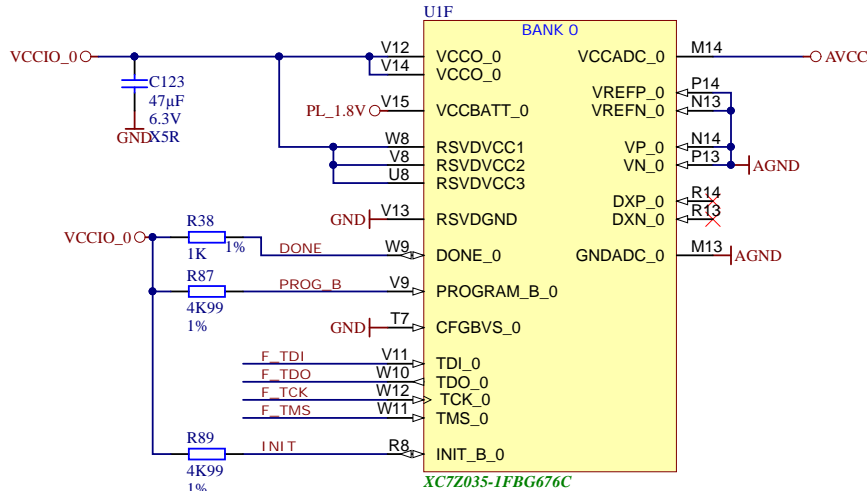
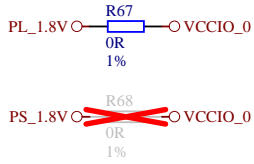
C

C

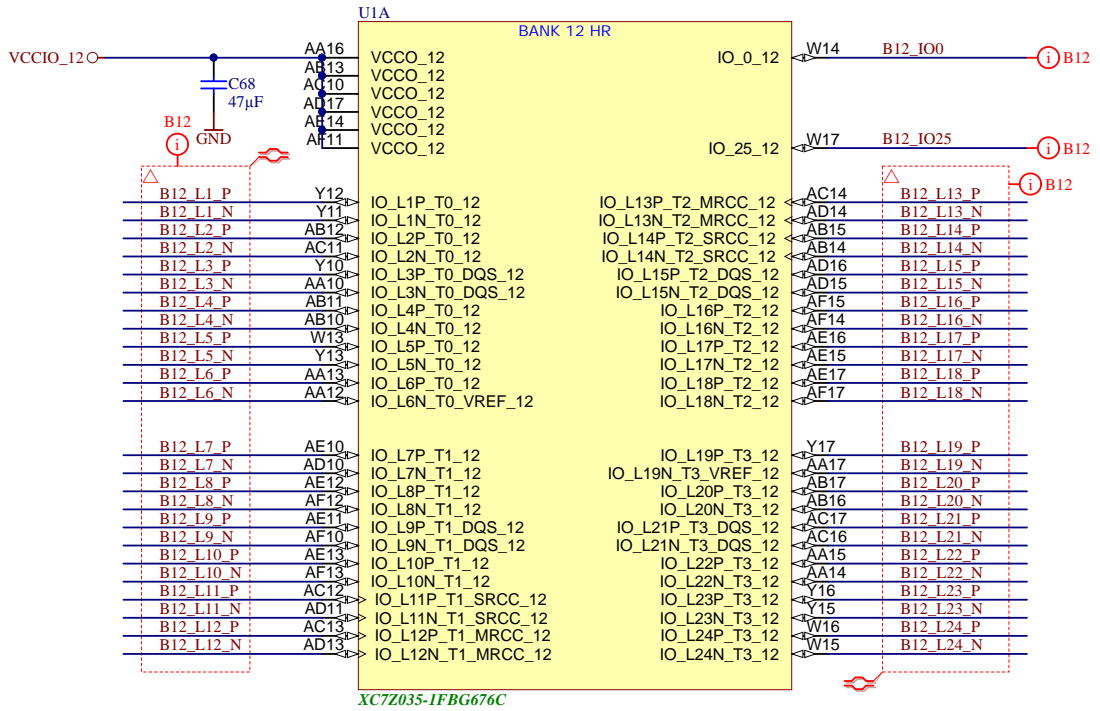
D

D

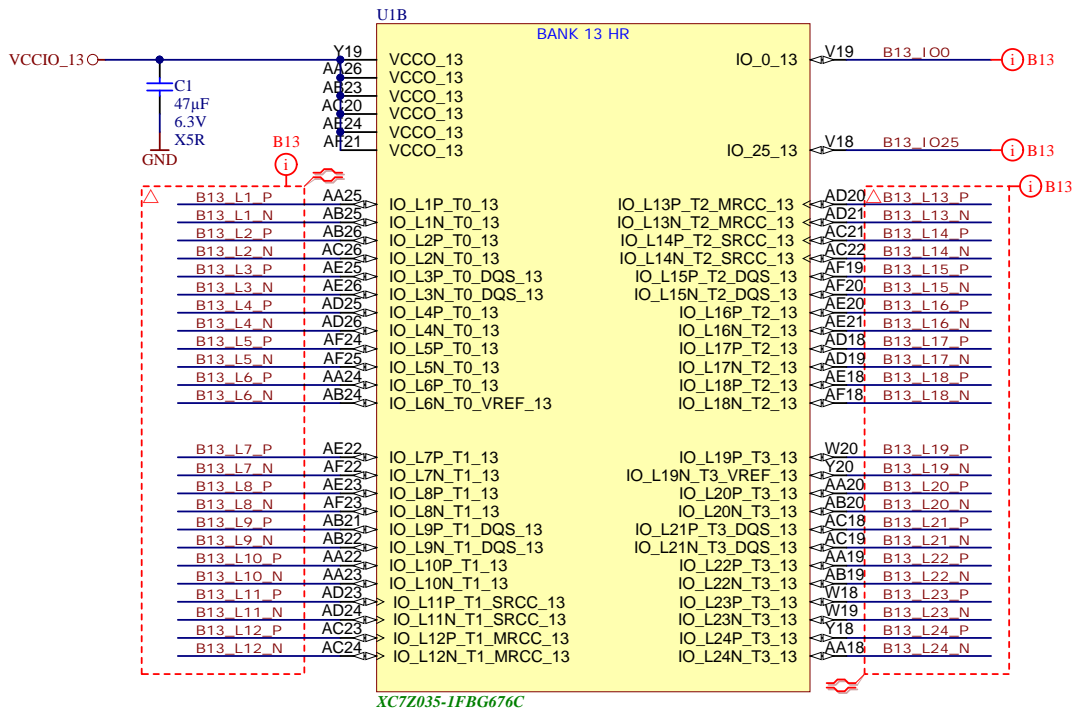
		Title: TE0745 - Zynq	
		A4	Number: 6 35-1C
Date: 2016-04-28		Copyright: Trenz Electronic GmbH / TT	
Filename: ZYNQ.SchDoc		Page6 of 25	



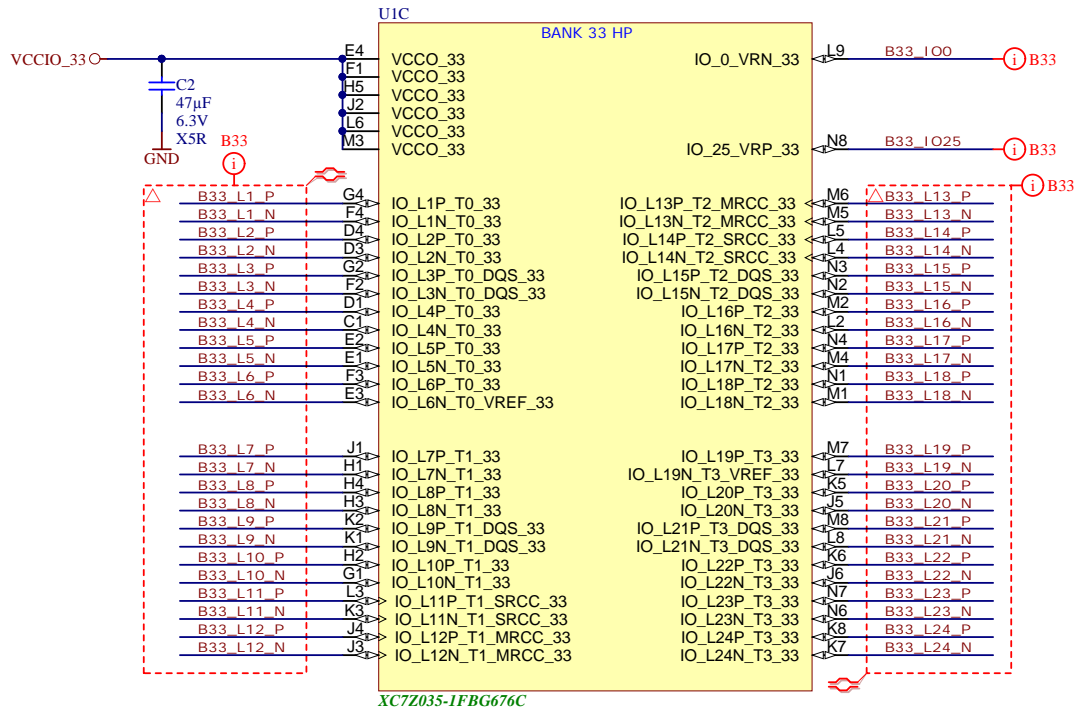
		Title: TE0745 - Zynq_MISC	
		A4	Number: 7 35-1C
Date: 2016-04-28		Copyright: Trenz Electronic GmbH / TT	
Filename: ZYNQ_MISC.SchDoc		Page 7 of 25	



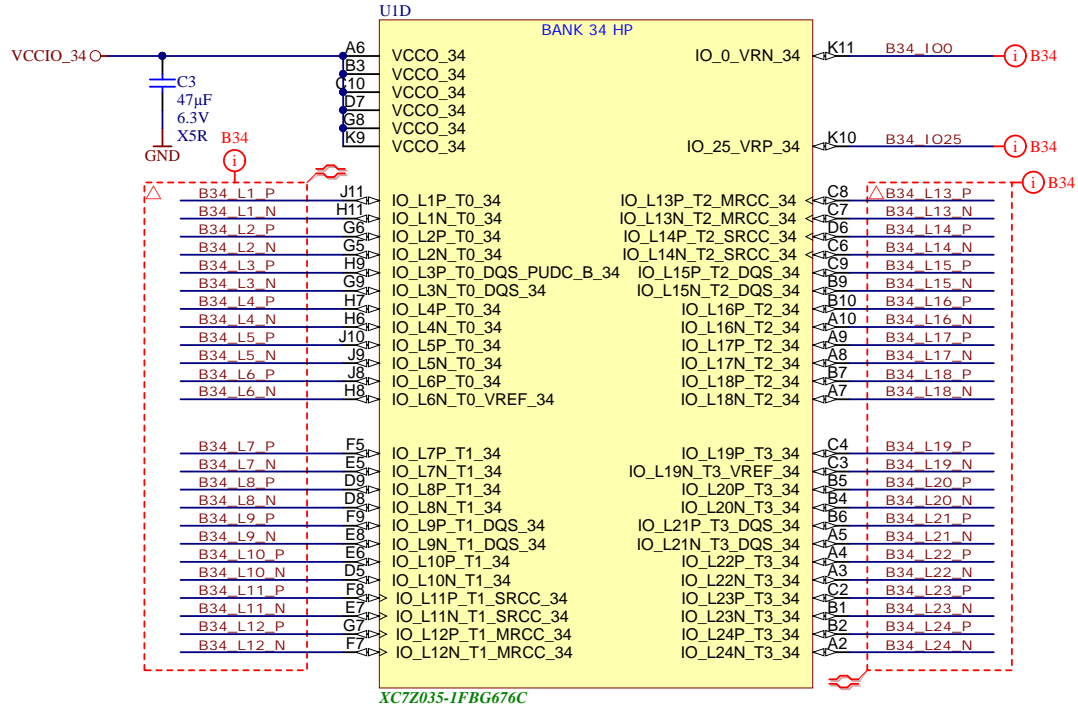
	Title: TE0745 - Zynq_B12	
	A4	Number: 8 35-1C
	Date: 2016-04-28	Copyright: Trenz Electronic GmbH / TT
Filename: B12.SchDoc		Rev. 02
		Page8 of 25



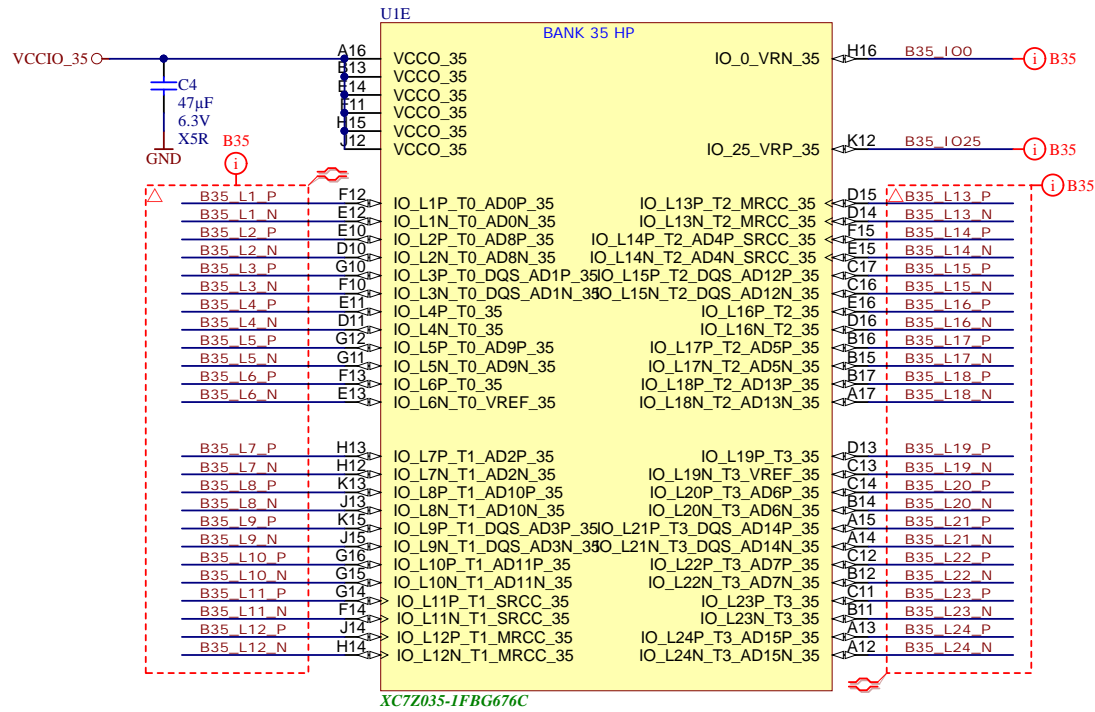
Title: TE0745 - Zynq_B13		
A4	Number: 9 35-1C	Rev. 02
Date: 2016-04-28	Copyright: Trenz Electronic GmbH / TT	Page9 of 25
Filename: B13.SchDoc		



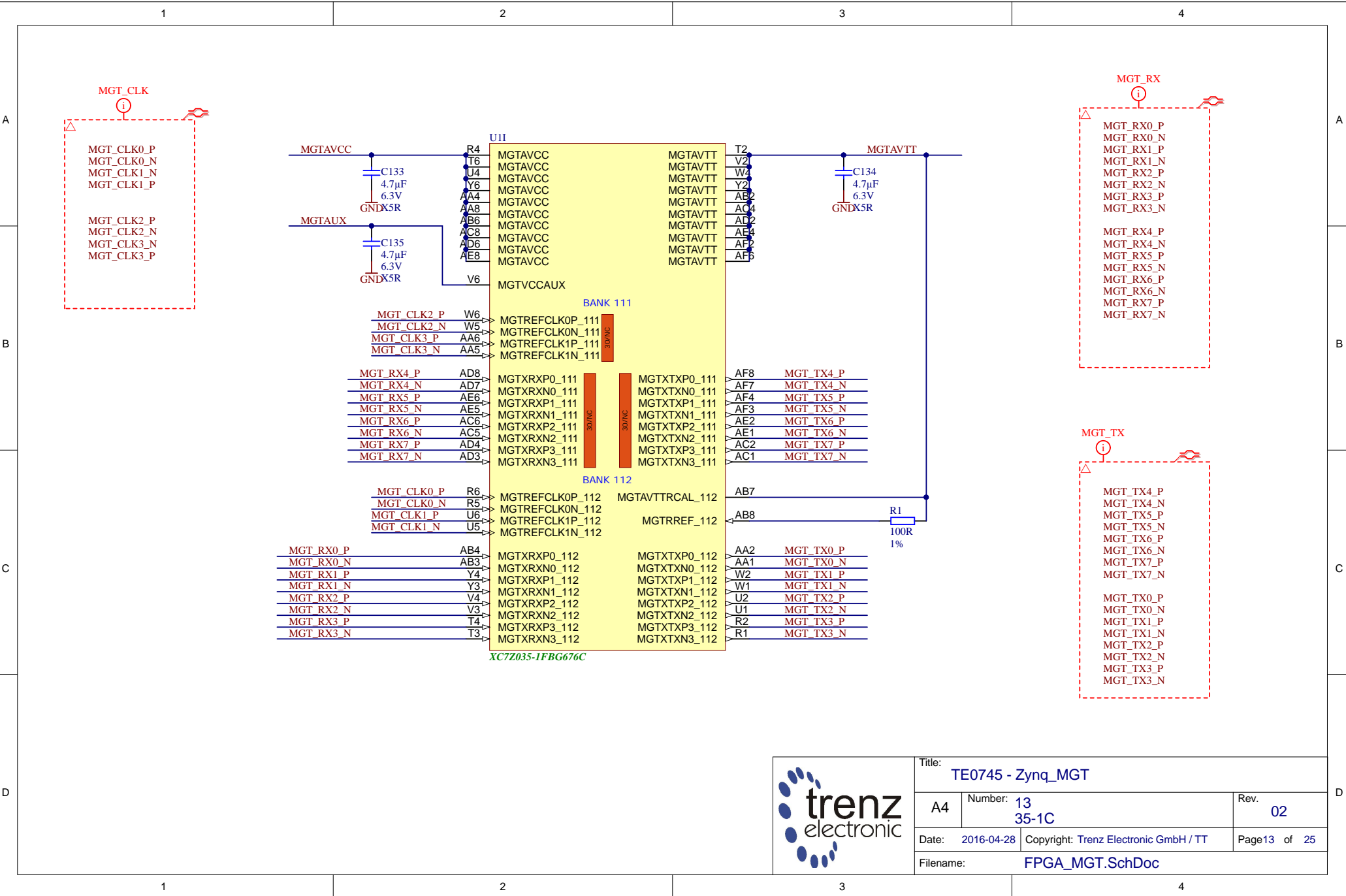
Title: TE0745 - Zynq_B33		
A4	Number: 10 35-1C	Rev. 02
Date: 2016-04-28	Copyright: Trenz Electronic GmbH / TT	Page10 of 25
Filename: B33.SchDoc		




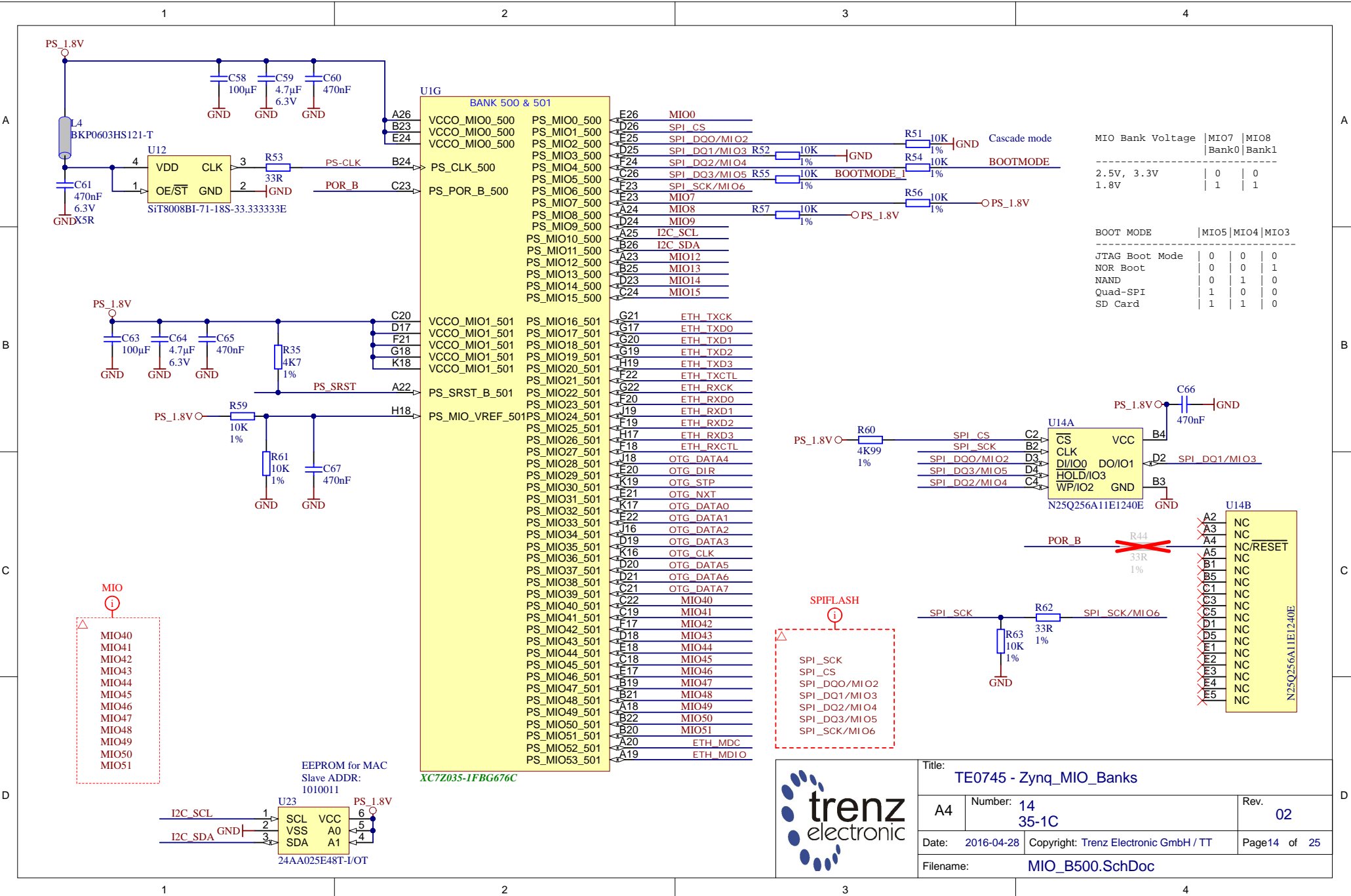
	Title: TE0745 - Zynq_B34		
	A4	Number: 11 35-1C	Rev. 02
	Date: 2016-04-28	Copyright: Trenz Electronic GmbH / TT	Page 11 of 25
	Filename: B34.SchDoc		



Title: TE0745 - Zynq_B35		
A4	Number: 12 35-1C	Rev. 02
Date: 2016-04-28	Copyright: Trenz Electronic GmbH / TT	Page 12 of 25
Filename: B35.SchDoc		



		Title: TE0745 - Zynq_MGT	
		A4	Number: 13 35-1C
Date: 2016-04-28		Copyright: Trenz Electronic GmbH / TT	
Filename: FPGA_MGT.SchDoc		Page 13 of 25	



Title: TE0745 - Zynq_MIO_Banks			
A4	Number: 14	Rev. 02	
Date: 2016-04-28		Copyright: Trenz Electronic GmbH / TT	Page 14 of 25
Filename: MIO_B500.SchDoc			

1

2

3

4

A

A

B

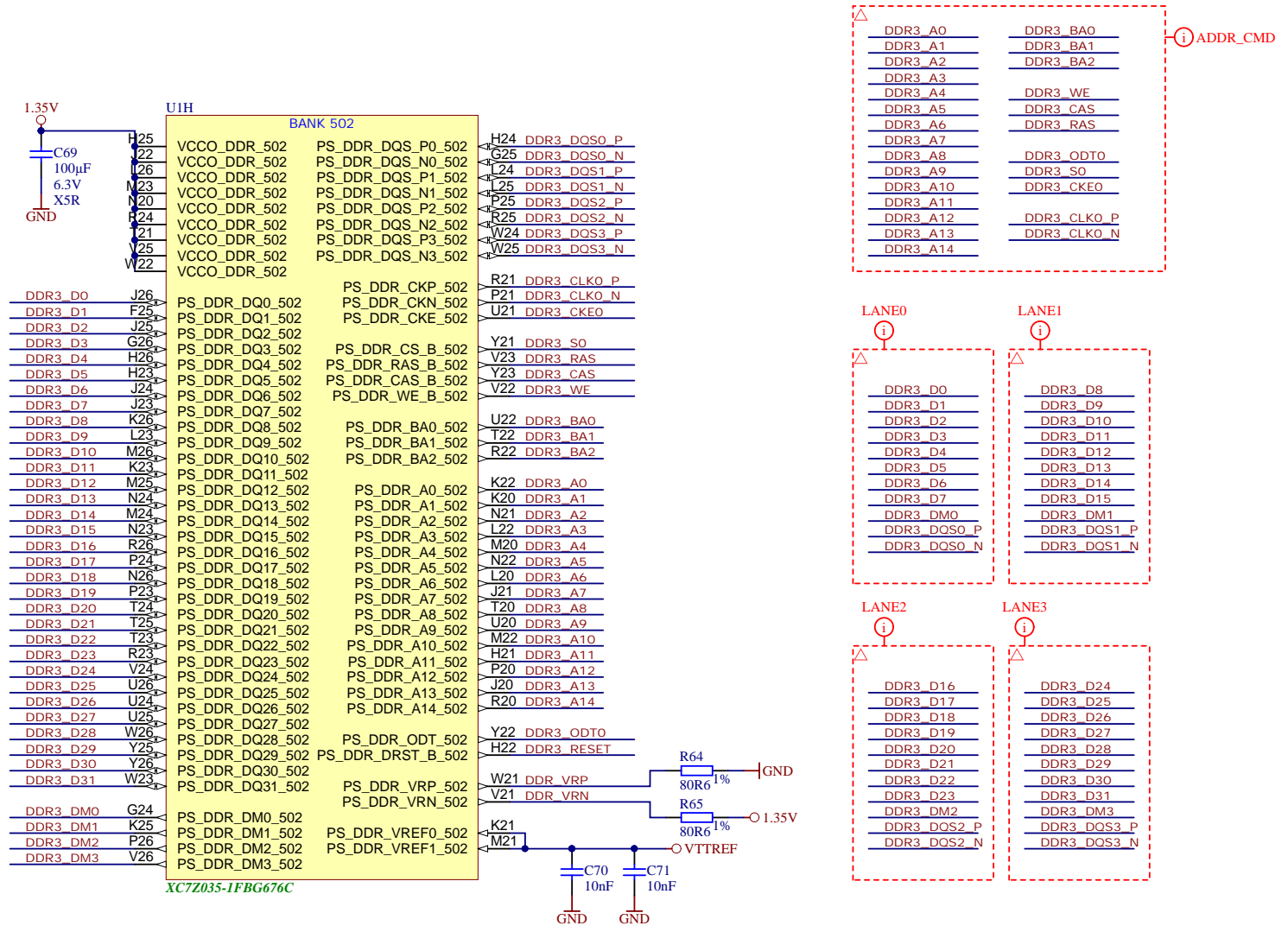
B

C

C

D

D



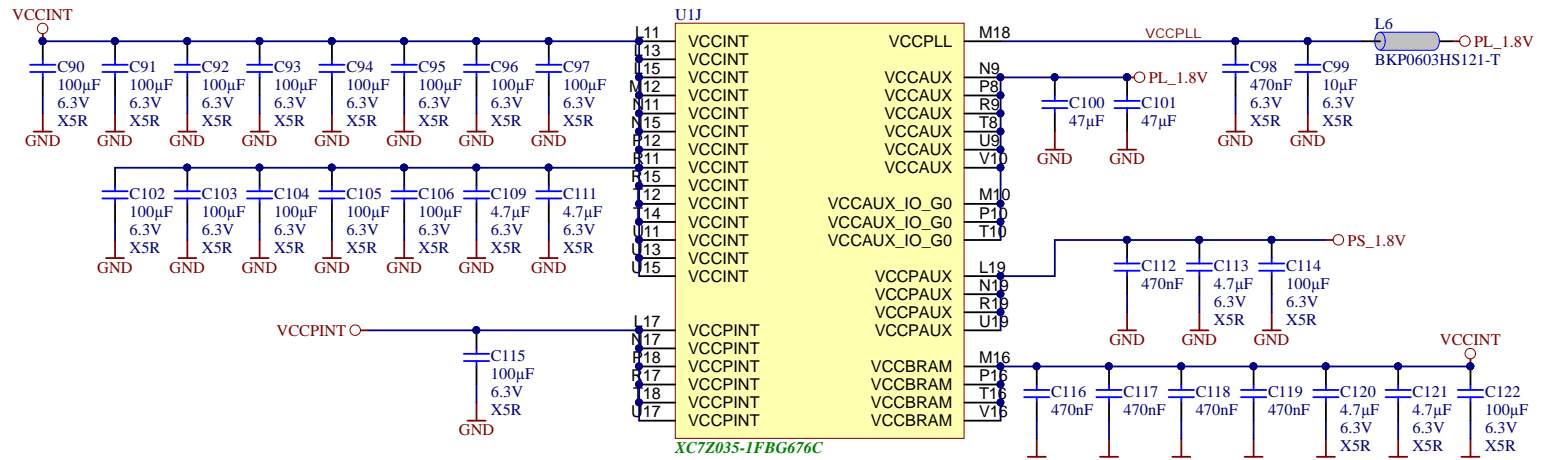
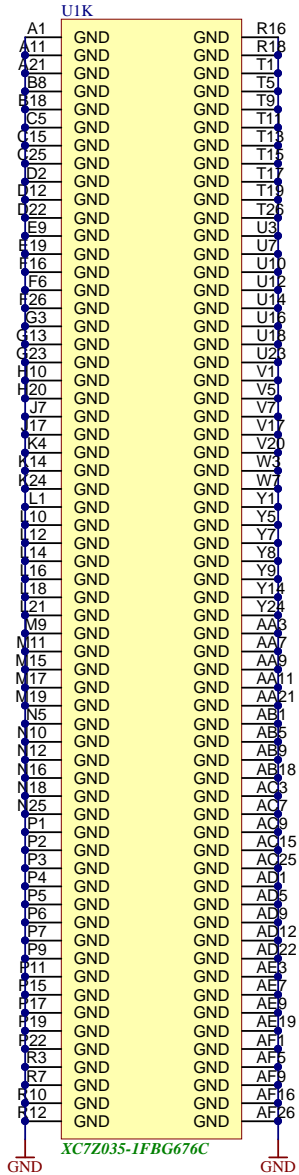
	Title: TE0745 - Zynq_PS_DDR	
	A4	Number: 15 35-1C
	Date: 2016-04-28	Copyright: Trenz Electronic GmbH / TT
	Rev. 02	Page 15 of 25
Filename: PS-DDR.SchDoc		

1

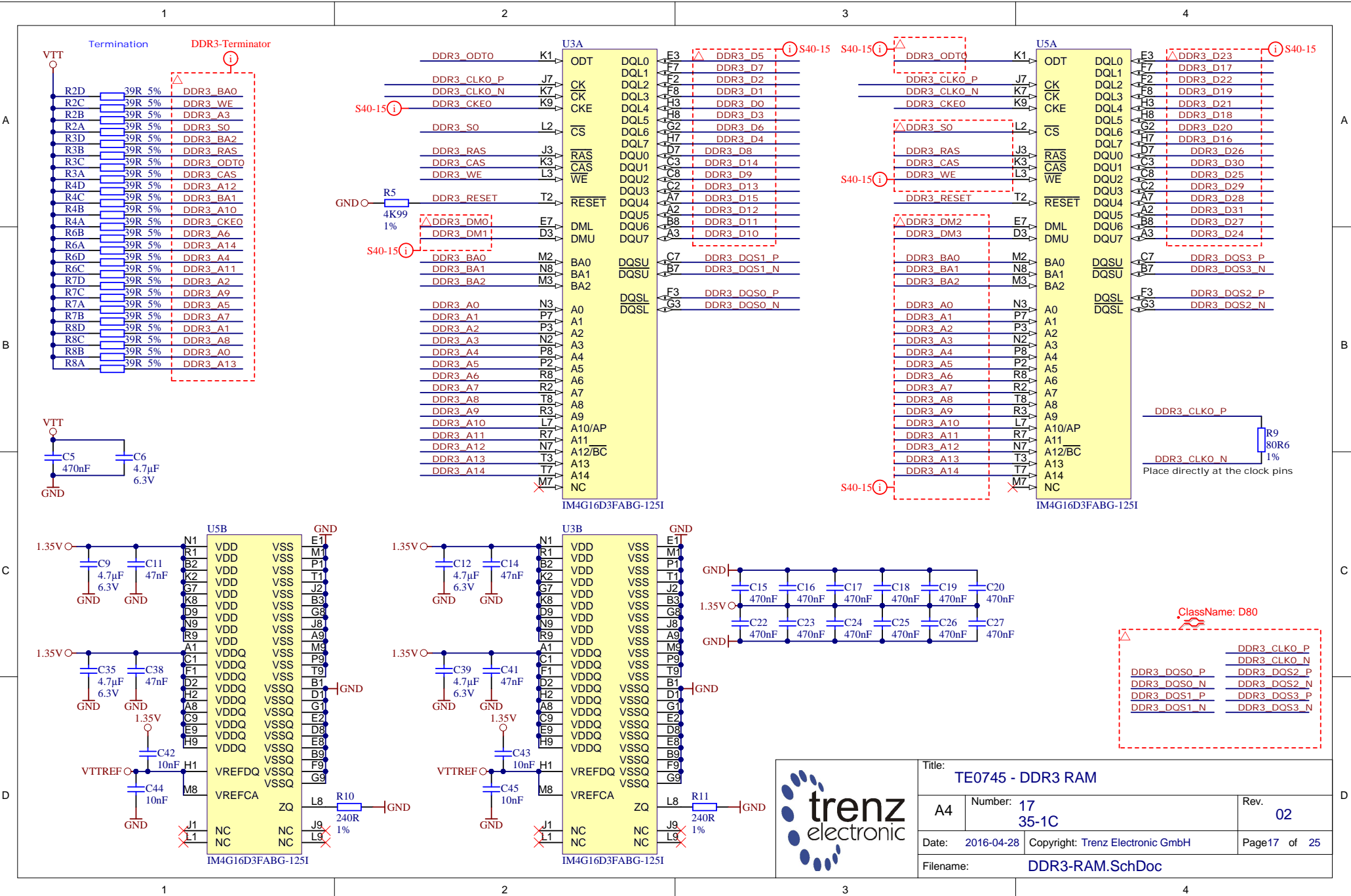
2

3

4



Title: TE0745 - Zynq_Power		
A4	Number: 16 35-1C	Rev. 02
Date: 2016-04-28	Copyright: Trenz Electronic GmbH / TT	Page 16 of 25
Filename: ZYNC_POWER.SchDoc		



1

2

3

4

A

A

B

B

C

C

D

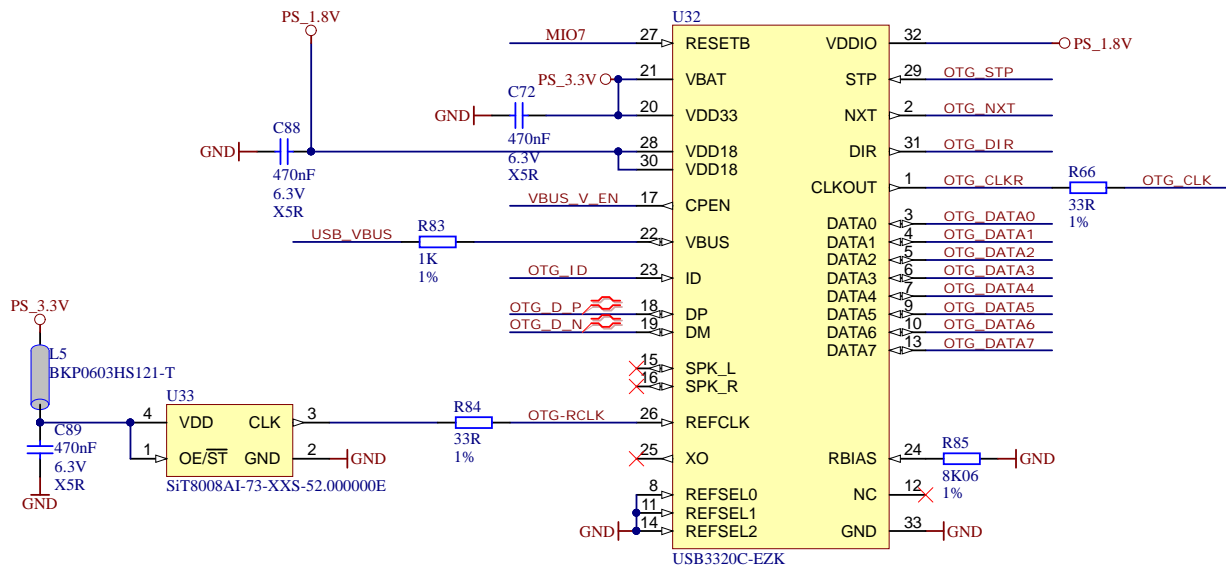
D

1

2

3

4

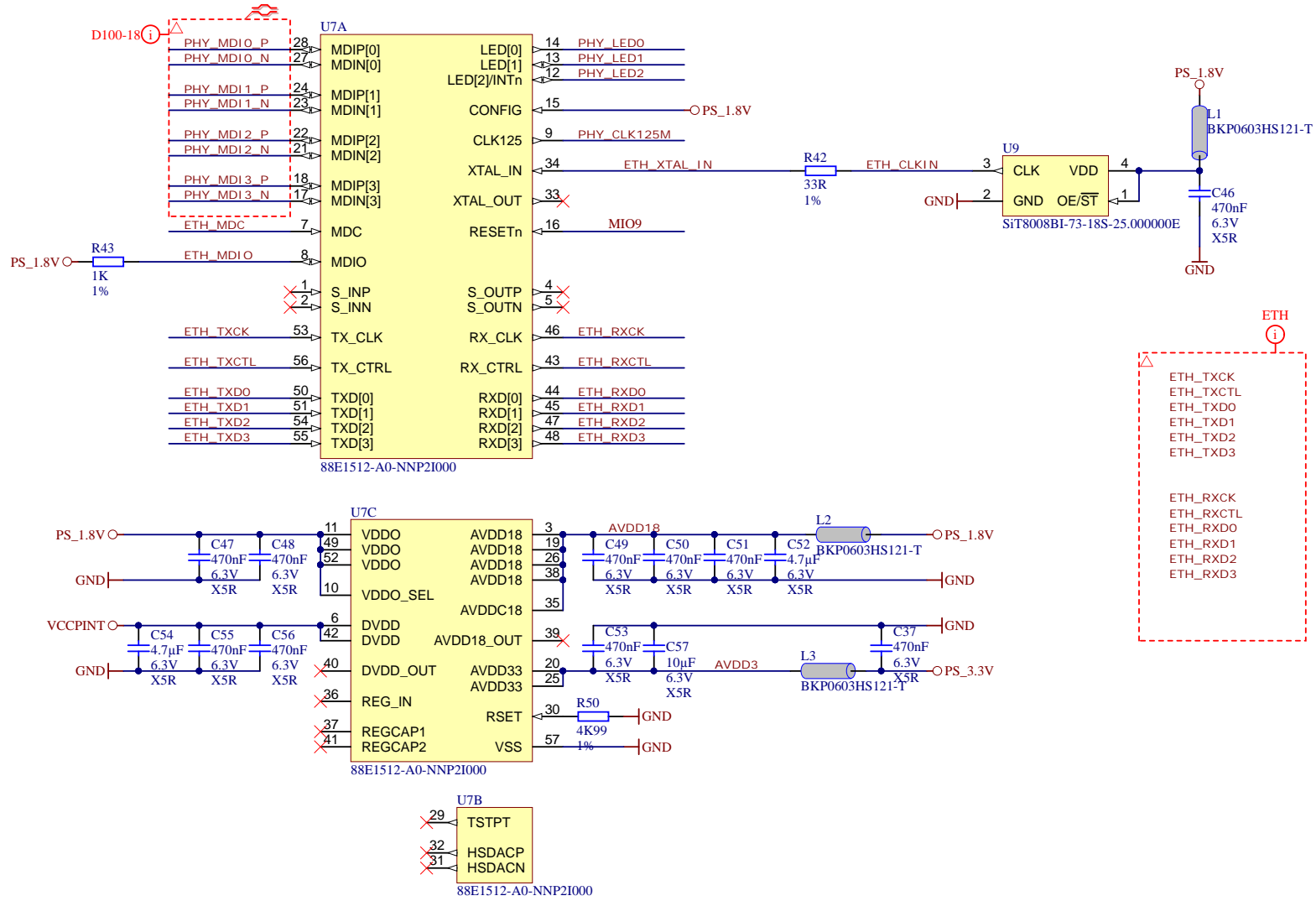


ULPI

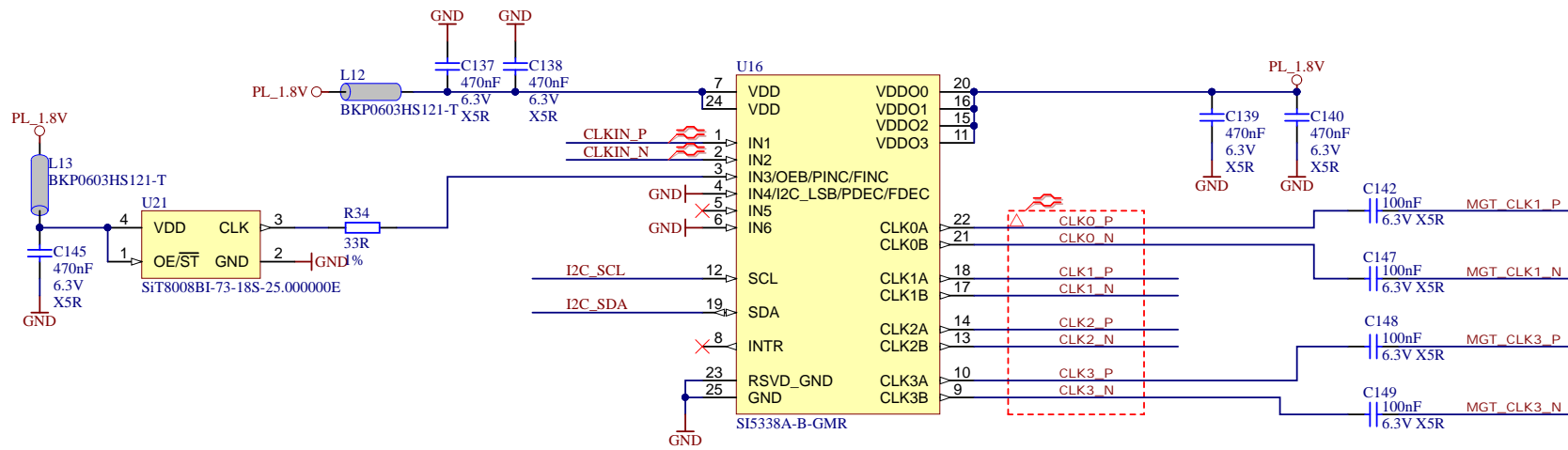
OTG_STP
 OTG_NXT
 OTG_DIR
 OTG_CLKR
 OTG_CLK
 OTG_DATA0
 OTG_DATA1
 OTG_DATA2
 OTG_DATA3
 OTG_DATA4
 OTG_DATA5
 OTG_DATA6
 OTG_DATA7



Title: TE0745 - USB_PHY		
A4	Number: 18 35-1C	Rev. 02
Date: 2016-04-28	Copyright: Trenz Electronic GmbH / TT	Page 18 of 25
Filename: USB-PHY.SchDoc		



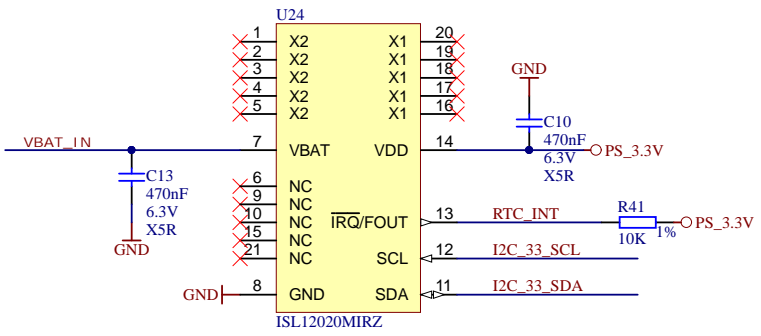
	Title: TE0745 - ETH_PHY	
	A4	Number: 19 35-1C
	Date: 2016-04-28	Copyright: Trenz Electronic GmbH / TT
	Rev. 02	Page 19 of 25
Filename: ETH-PHY.SchDoc		



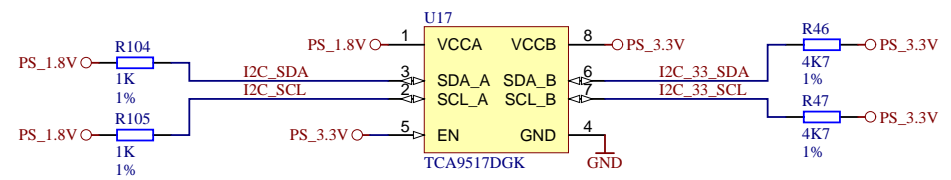
Slave ADDR:
1110000 OR 1110001




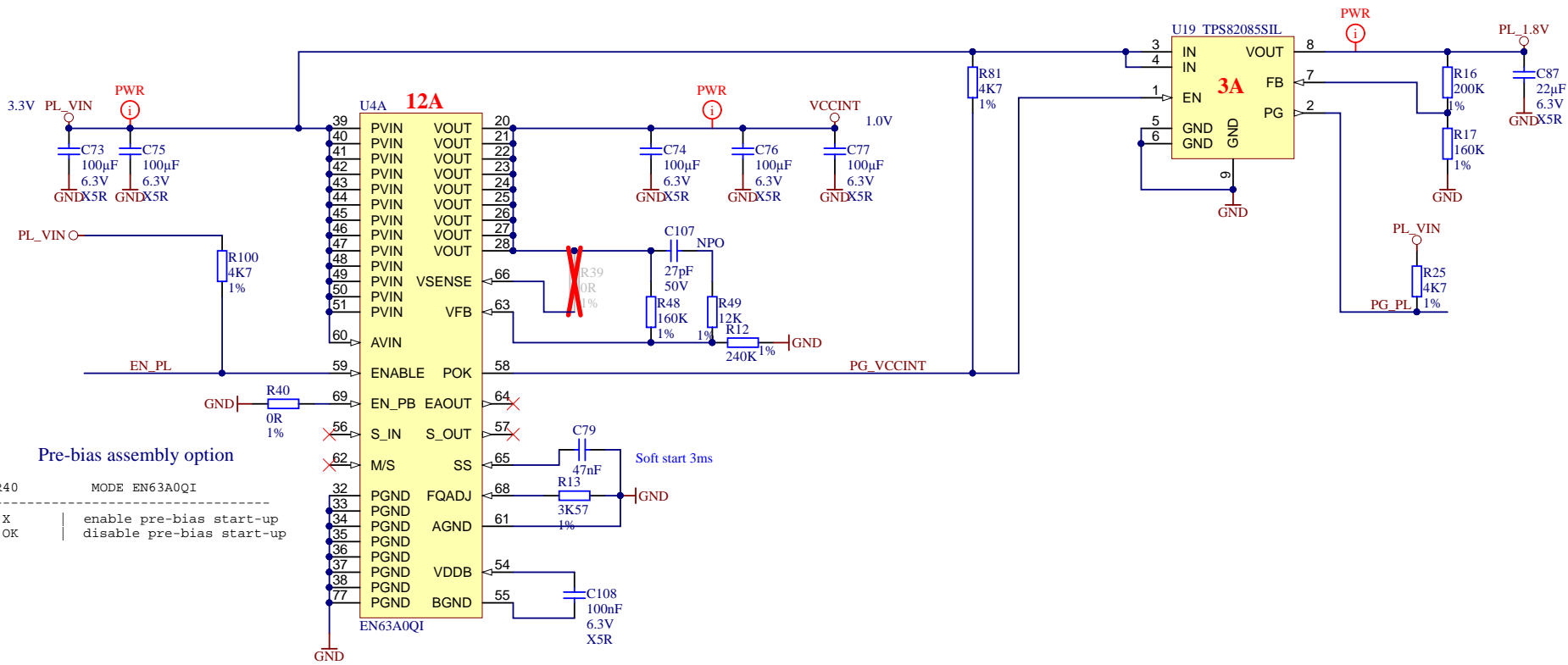
Title: TE0745 - CLK		
A4	Number: 20 35-1C	Rev. 02
Date: 2016-04-28	Copyright: Trenz Electronic GmbH / TT	Page20 of 25
Filename: CLK.SchDoc		



Slave ADDR:
 for RTC registers: 1101111
 for User SRAM: 1010111



		Title: TE0745 - RTC	
		A4	Number: 21 35-1C
Date: 2016-04-28		Copyright: Trenz Electronic GmbH / TT	
Filename: SENSOR-RTC.SchDoc		Page21 of 25	



Pre-bias assembly option

R39 R40 MODE EN63A0QI

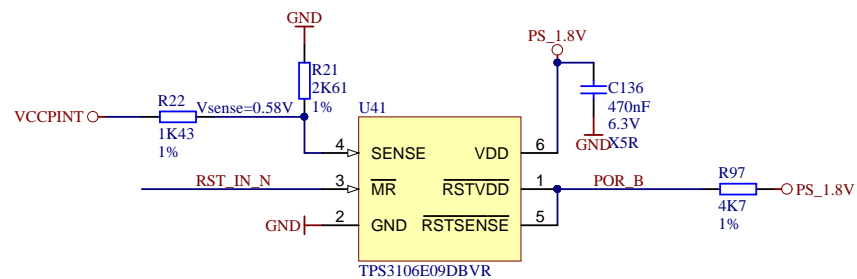
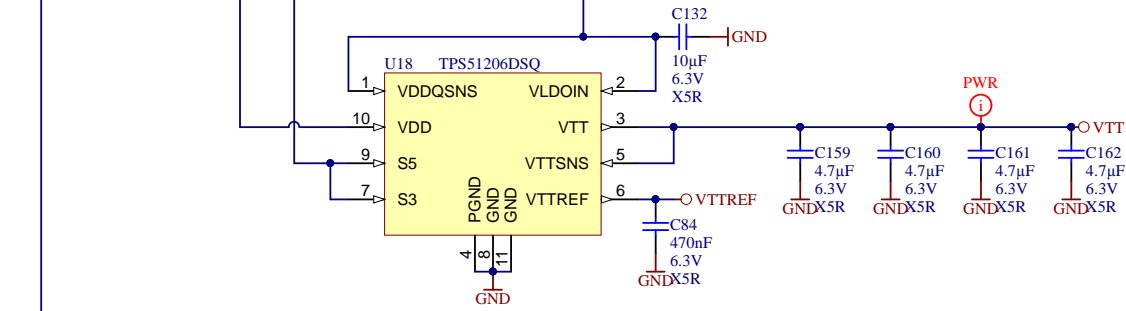
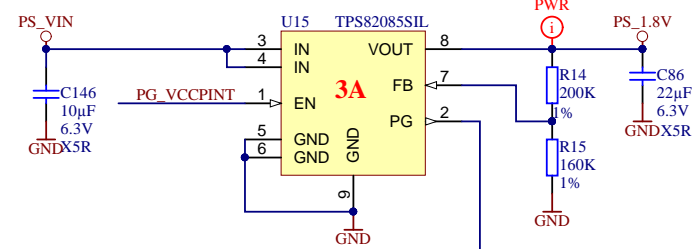
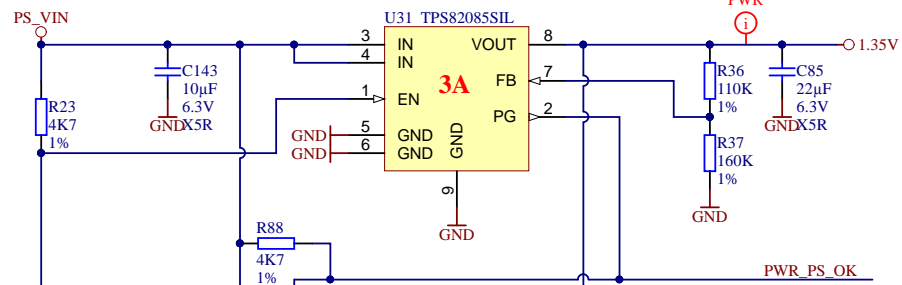
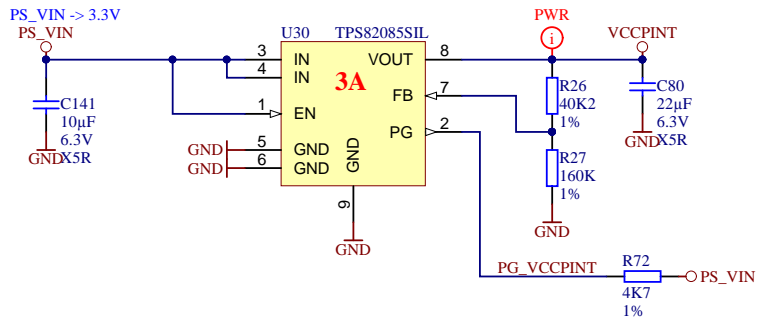
 OK X enable pre-bias start-up
 X OK disable pre-bias start-up

U4B			
1	NC	NC	17
2	NC	NC	18
3	NC	NC	19
4	NC	NC	29
5	NC	NC	30
6	NC	NC(SW)	31
7	NC	NC(SW)	52
8	NC	NC	53
9	NC	NC	67
10	NC	NC(SW)	70
11	NC	NC(SW)	71
12	NC	NC(SW)	72
13	NC	NC	73
14	NC	NC	74
15	NC	NC	75
16	NC	NC	76

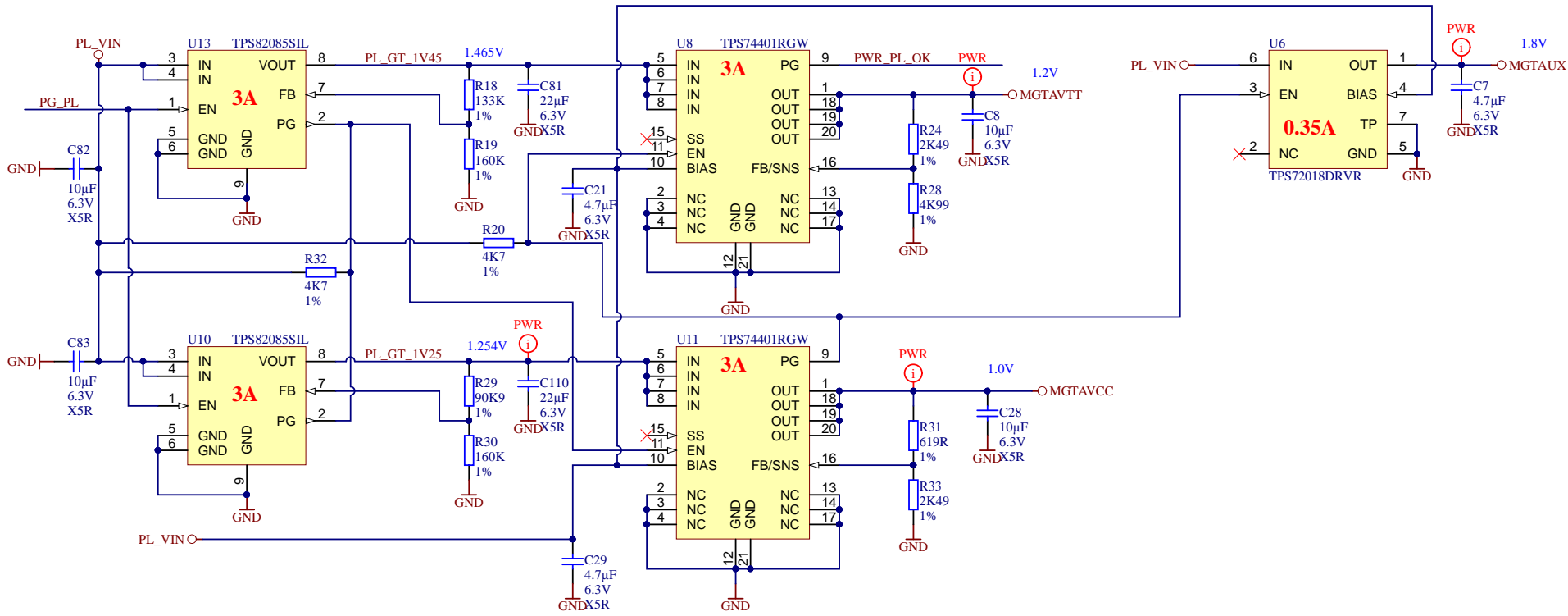
EN63A0QI




Title: TE0745 - Power		
A4	Number: 22 35-1C	Rev. 02
Date: 2016-04-28	Copyright: Trenz Electronic GmbH / TT	Page22 of 25
Filename: POWER.SchDoc		



Title: TE0745 - Power2		
A4	Number: 23 35-1C	Rev. 02
Date: 2016-04-28	Copyright: Trenz Electronic GmbH / TT	Page23 of 25
Filename: POWER_2.SchDoc		



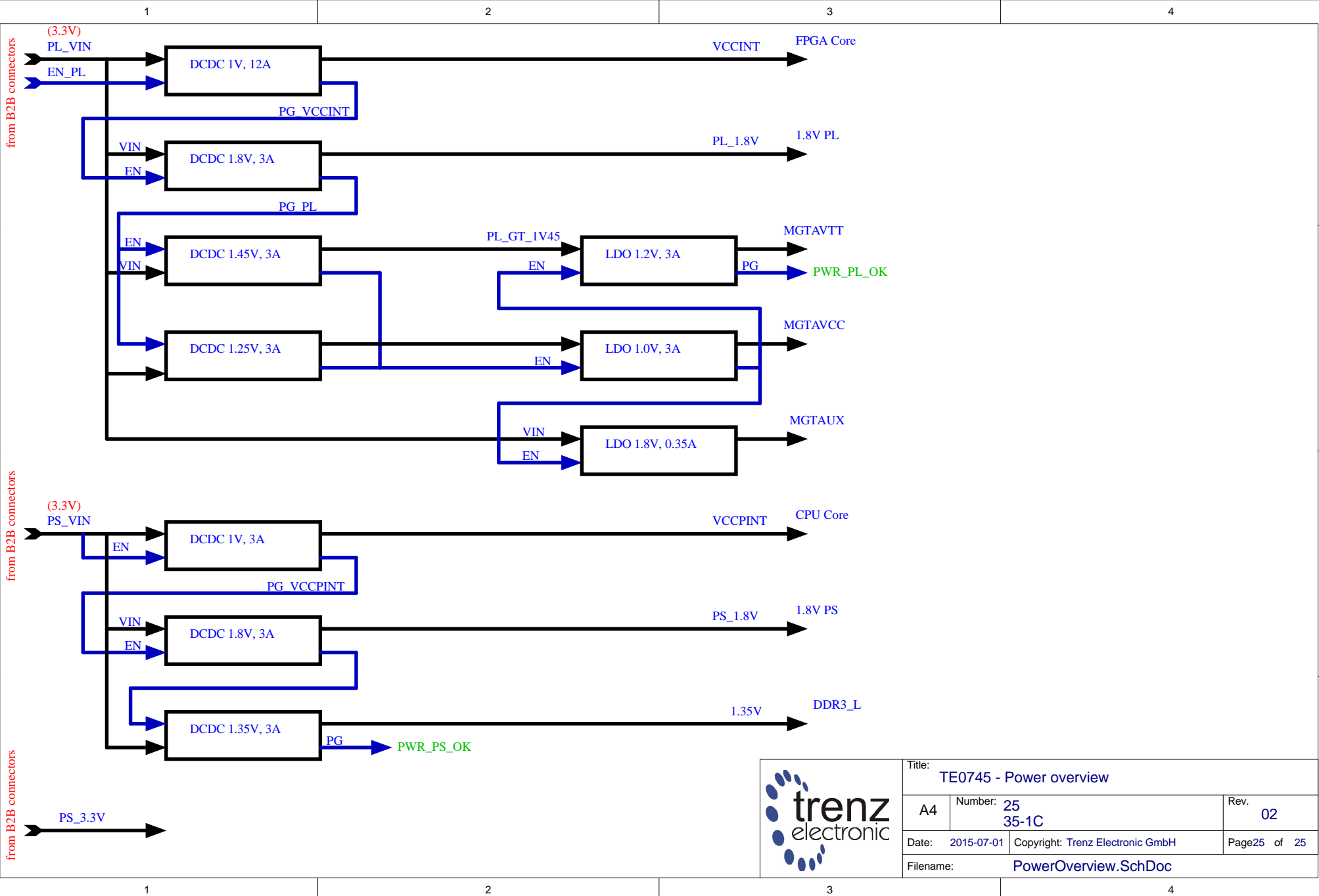
	Title: TE0745 - Power3	
	A4	Number: 24 35-1C
	Date: 2016-04-28	Copyright: Trenz Electronic GmbH / TT
	Filename: POWER_3.SchDoc	Rev. 02

1

2

3

4



Title: TE0745 - Power overview		
A4	Number: 25 35-1C	Rev. 02
Date: 2015-07-01	Copyright: Trenz Electronic GmbH	Page 25 of 25
Filename: PowerOverview.SchDoc		