

1

2

3

4

CHANGES REV01 to REV02

- 1) MAC EEPROM Address patch fixed on PCB
- 2) lib components update

A

A

B

B

C

C

D

D



Title: TE0745		
A4	Number: 1 45-1CA	Rev. 02
Date: 2016-04-28	Copyright: Trenz Electronic GmbH / TT	Page1 of 25
Filename: Revision Changes.SchDoc		

1

2

3

4

U_J1
J1.SchDoc

U_J2
J2.SchDoc

U_J3
J3.SchDoc

U_ZYNQ
ZYNQ.SchDoc

U_POWER
POWER.SchDoc

U_POWER_2
POWER_2.SchDoc

U_RTC
SENSOR-RTC.SchDoc

U_POWER_3
POWER_3.SchDoc

U_CLK
CLK.SchDoc

U_DDR3
DDR3-RAM.SchDoc

U_ETH_PHY
ETH-PHY.SchDoc

U_USB_PHY
USB-PHY.SchDoc

U_PowerOverview
PowerOverview.SchDoc

U_Revision Changes
Revision Changes.SchDoc

LOGO1
TE Logo PRINT Layer
LOGO PRINT

FIDU-DOT - small FIDU-DOT - small



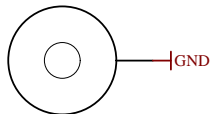
PM1 PM2
FIDU-DOT - small FIDU-DOT - small



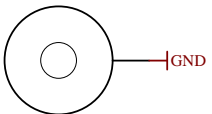
PM3 PM4
FIDU-DOT - small FIDU-DOT - small



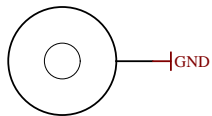
PM5 PM6



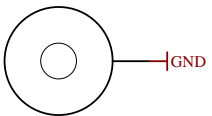
Mount.Hole 3.2mm für Unterlegscheibe



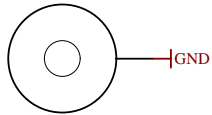
Mount.Hole 3.2mm für Unterlegscheibe



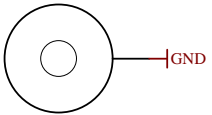
Mount.Hole 3.2mm für Unterlegscheibe



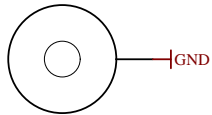
Mount.Hole 3.2mm für Unterlegscheibe



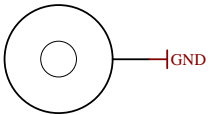
Mount.Hole 3.2mm für Unterlegscheibe



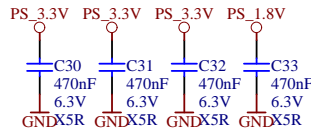
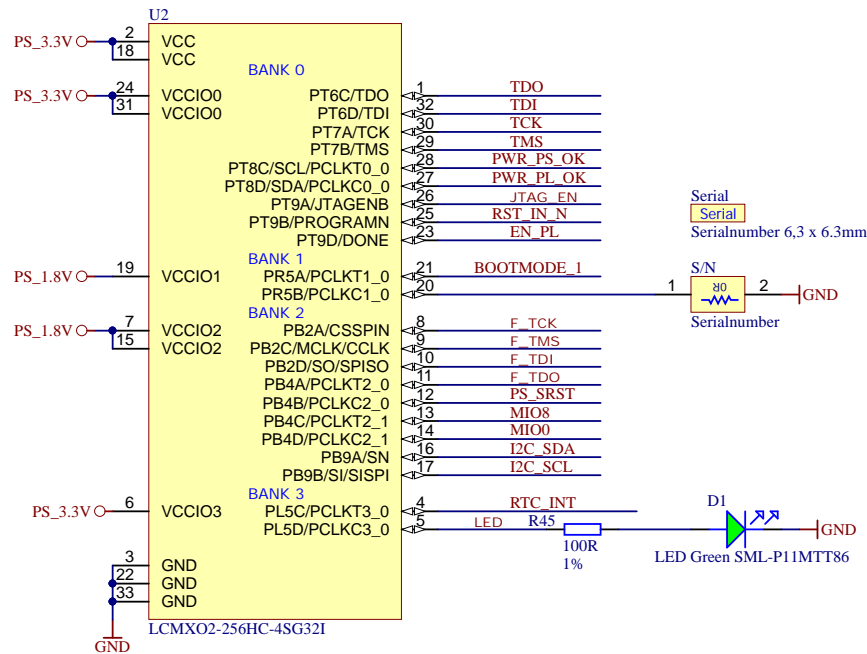
Mount.Hole 3.2mm für Unterlegscheibe



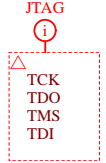
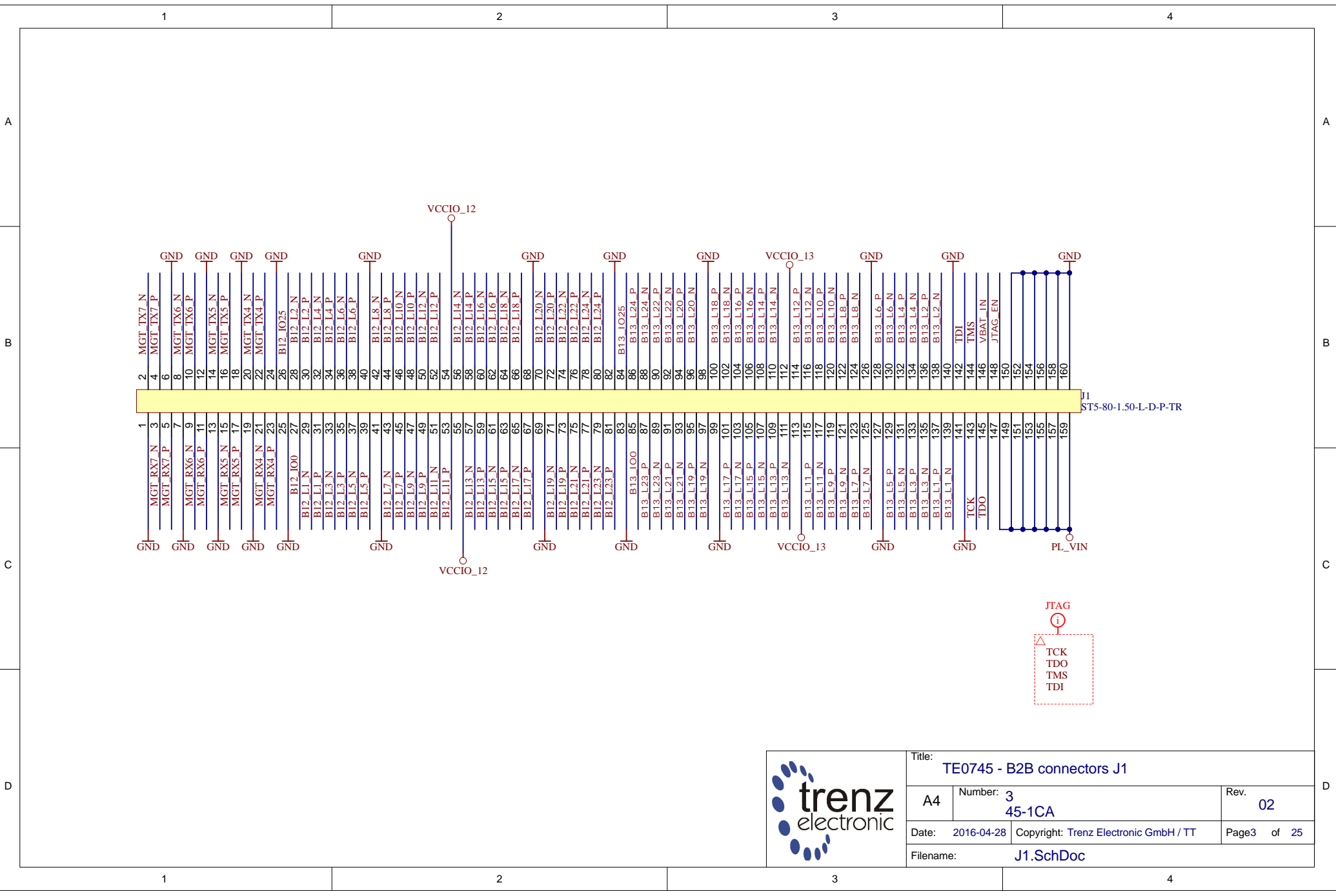
Mount.Hole 3.2mm für Unterlegscheibe



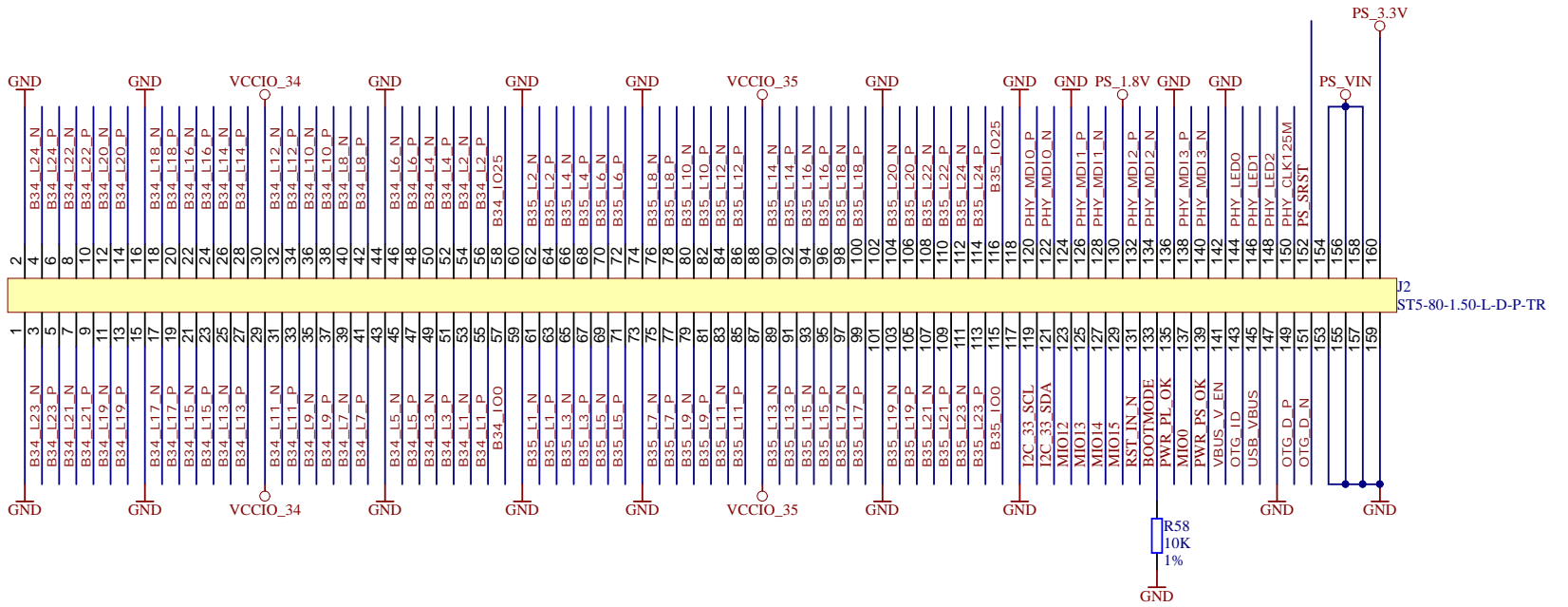
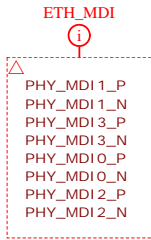
Mount.Hole 3.2mm für Unterlegscheibe



	Title: TE0745		
	A4	Number: 2 45-1CA	Rev. 02
	Date: 2016-04-28	Copyright: Trenz Electronic GmbH / TT	Page2 of 25
	Filename: TE0745.SchDoc		



	Title: TE0745 - B2B connectors J1	
	A4	Number: 3 45-1CA
	Date: 2016-04-28	Copyright: Trenz Electronic GmbH / TT
	Filename: J1.SchDoc	
	Rev. 02	Page3 of 25



Title: TE0745 - B2B connectors J2		
A4	Number: 4 45-1CA	Rev. 02
Date: 2016-04-28	Copyright: Trenz Electronic GmbH / TT	Page4 of 25
Filename: J2.SchDoc		

1

2

3

4

A

A

B

B

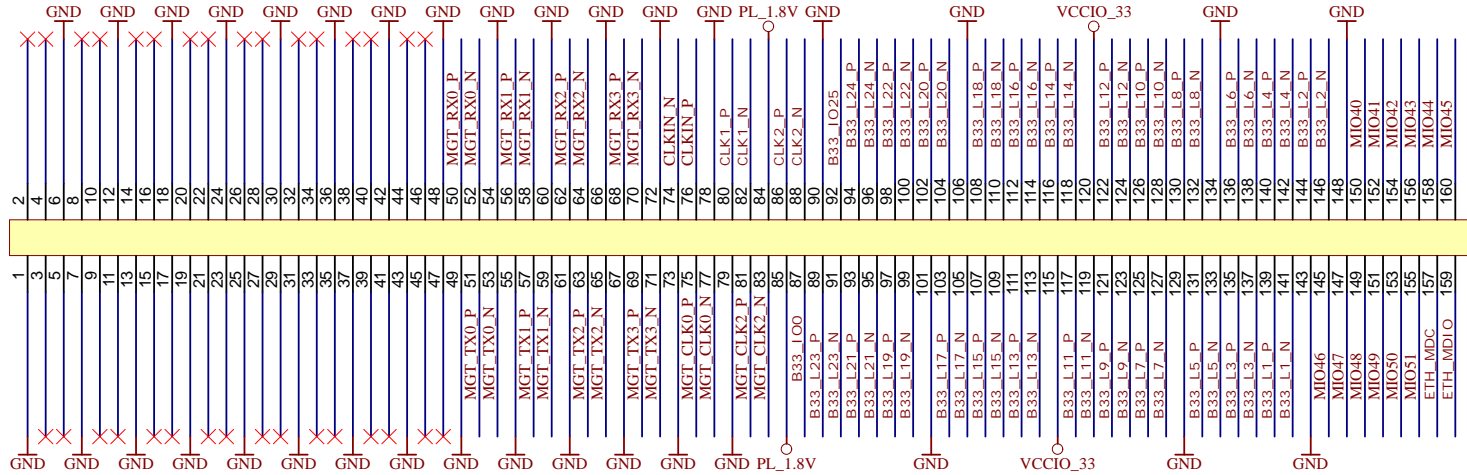
C

C

D

D

RESERVED for additional 8 GTX lanes



J3
ST5-80-1.50-L-D-P-TR



Title: TE0745 - B2B connectors J3		
A4	Number: 5 45-1CA	Rev. 02
Date: 2016-04-28	Copyright: Trenz Electronic GmbH / TT	Page5 of 25
Filename: J3.SchDoc		

1

2

3

4

1

2

3

4

U_B12
B12.SchDoc



U_B500
MIO_B500.SchDoc



U_B13
B13.SchDoc



U_PS_DDR
PS-DDR.SchDoc



U_B33
B33.SchDoc



U_MISC
ZYNQ_MISC.SchDoc



U_B34
B34.SchDoc



U_ZYNQ_POWER
ZYNQ_POWER.SchDoc



U_B35
B35.SchDoc



U_FPGA_MGT
FPGA_MGT.SchDoc



1

2

3

4

A

A

B


B

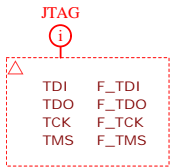
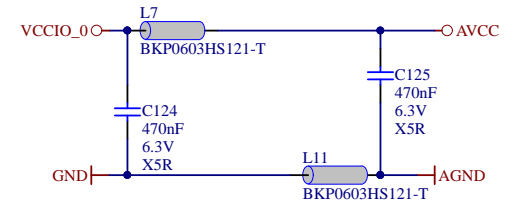
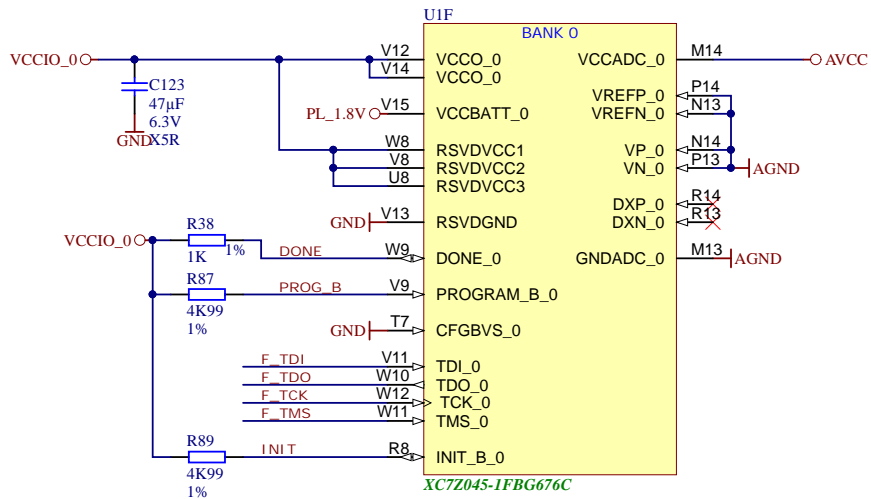
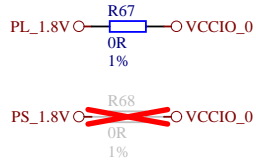
C

C

D

D

		Title: TE0745 - Zynq	
		A4	Number: 6 45-1CA
Date: 2016-04-28		Copyright: Trenz Electronic GmbH / TT	
Filename: ZYNQ.SchDoc		Page6 of 25	



	Title: TE0745 - Zynq_MISC		
	A4	Number: 7 45-1CA	Rev. 02
	Date: 2016-04-28	Copyright: Trenz Electronic GmbH / TT	Page 7 of 25
	Filename: ZYNQ_MISC.SchDoc		

1

2

3

4

A

A

B

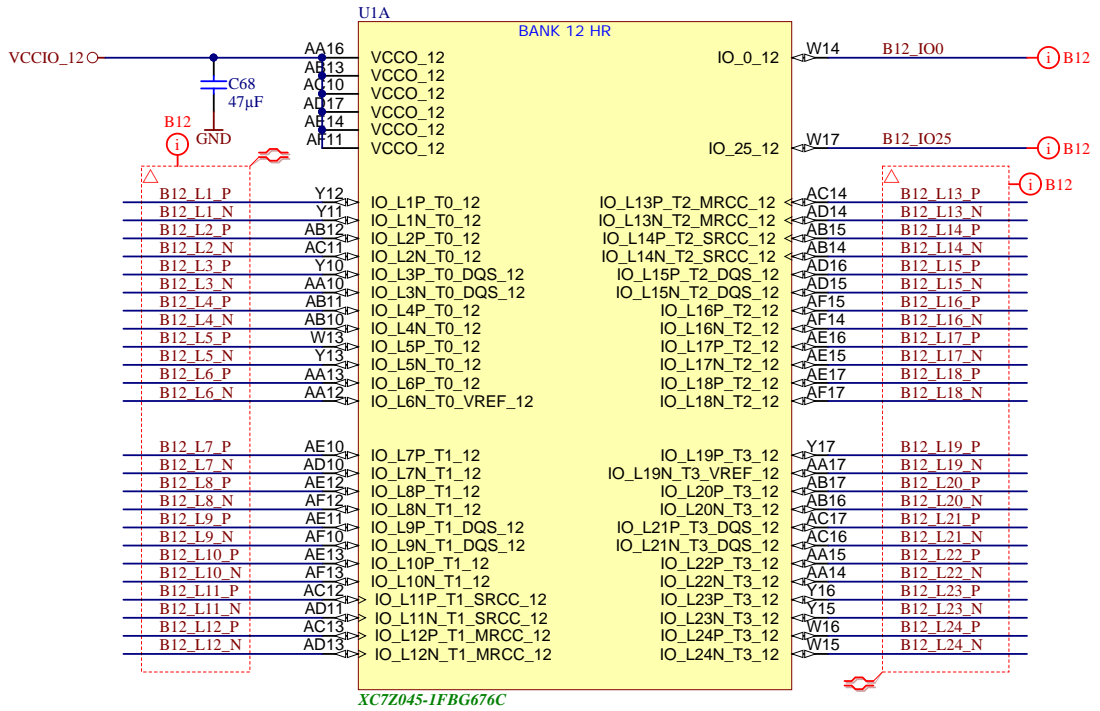
B


C

C

D

D



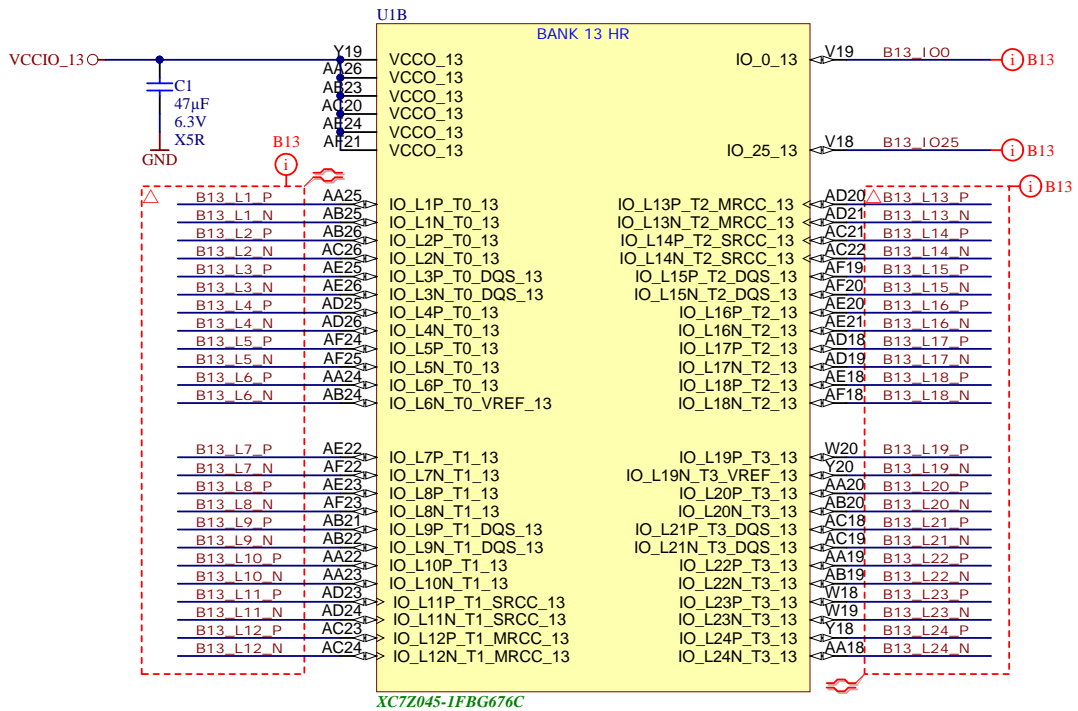
	Title: TE0745 - Zynq_B12		
	A4	Number: 8 45-1CA	Rev. 02
	Date: 2016-04-28	Copyright: Trenz Electronic GmbH / TT	Page8 of 25
	Filename: B12.SchDoc		

1

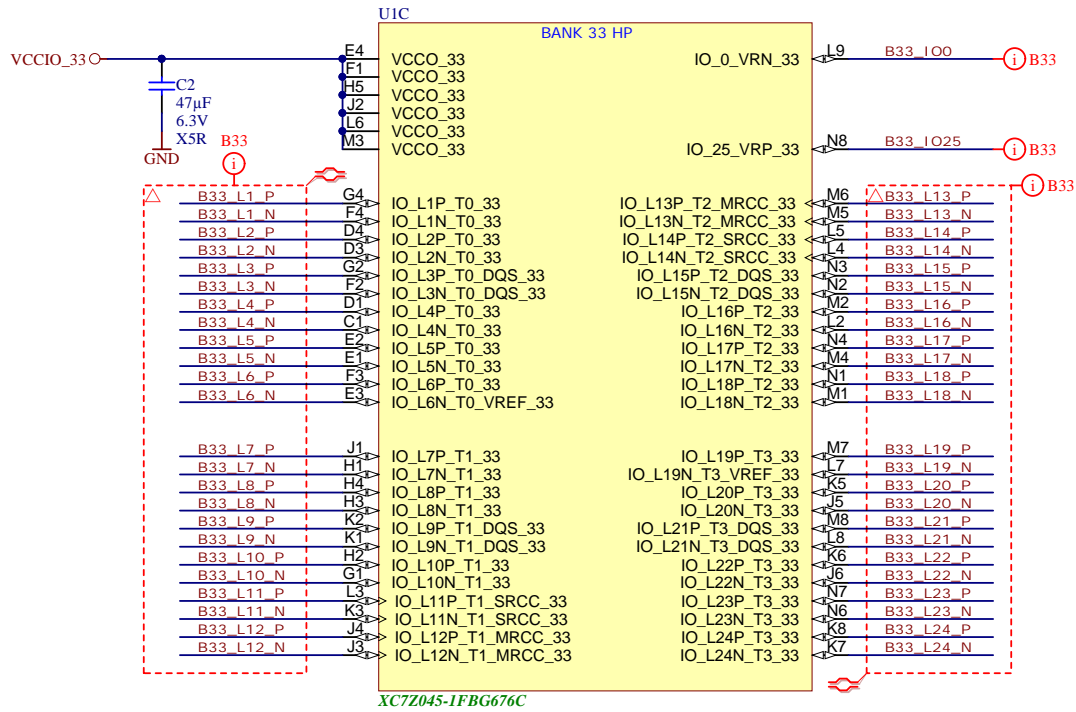
2

3

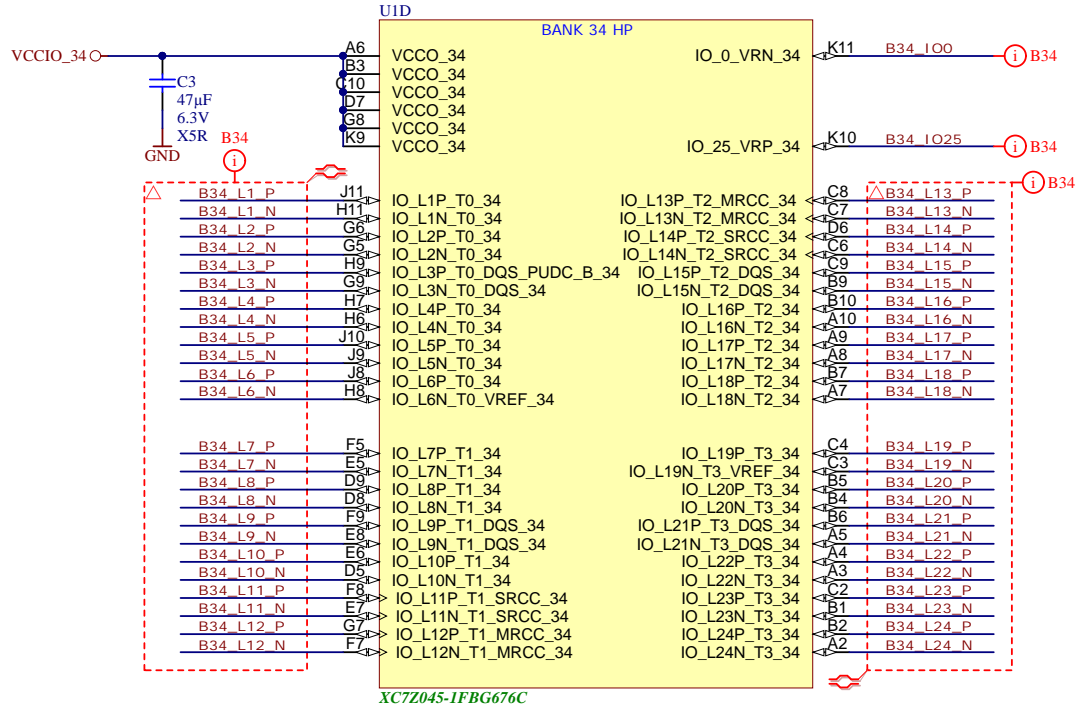
4



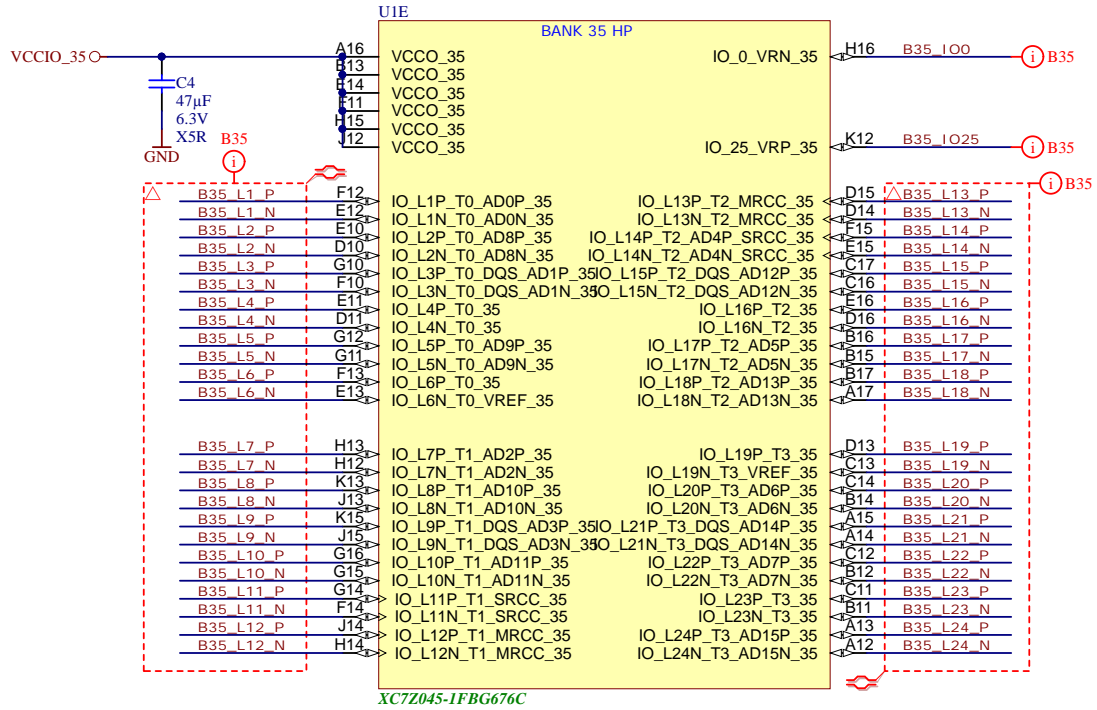
Title: TE0745 - Zynq_B13		
A4	Number: 9 45-1CA	Rev. 02
Date: 2016-04-28	Copyright: Trenz Electronic GmbH / TT	Page9 of 25
Filename: B13.SchDoc		



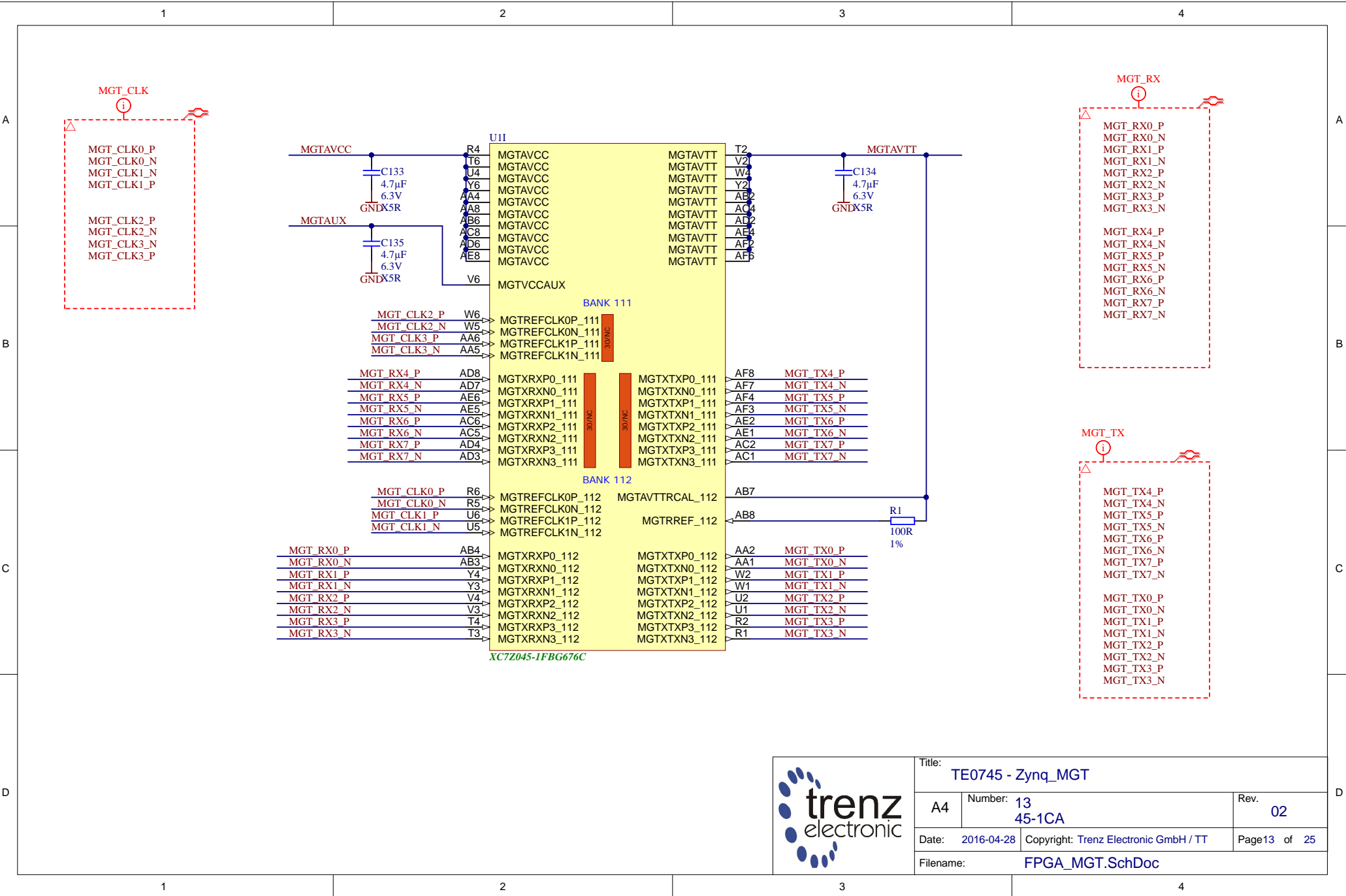
Title: TE0745 - Zynq_B33		
A4	Number: 10 45-1CA	Rev. 02
Date: 2016-04-28	Copyright: Trenz Electronic GmbH / TT	Page10 of 25
Filename: B33.SchDoc		



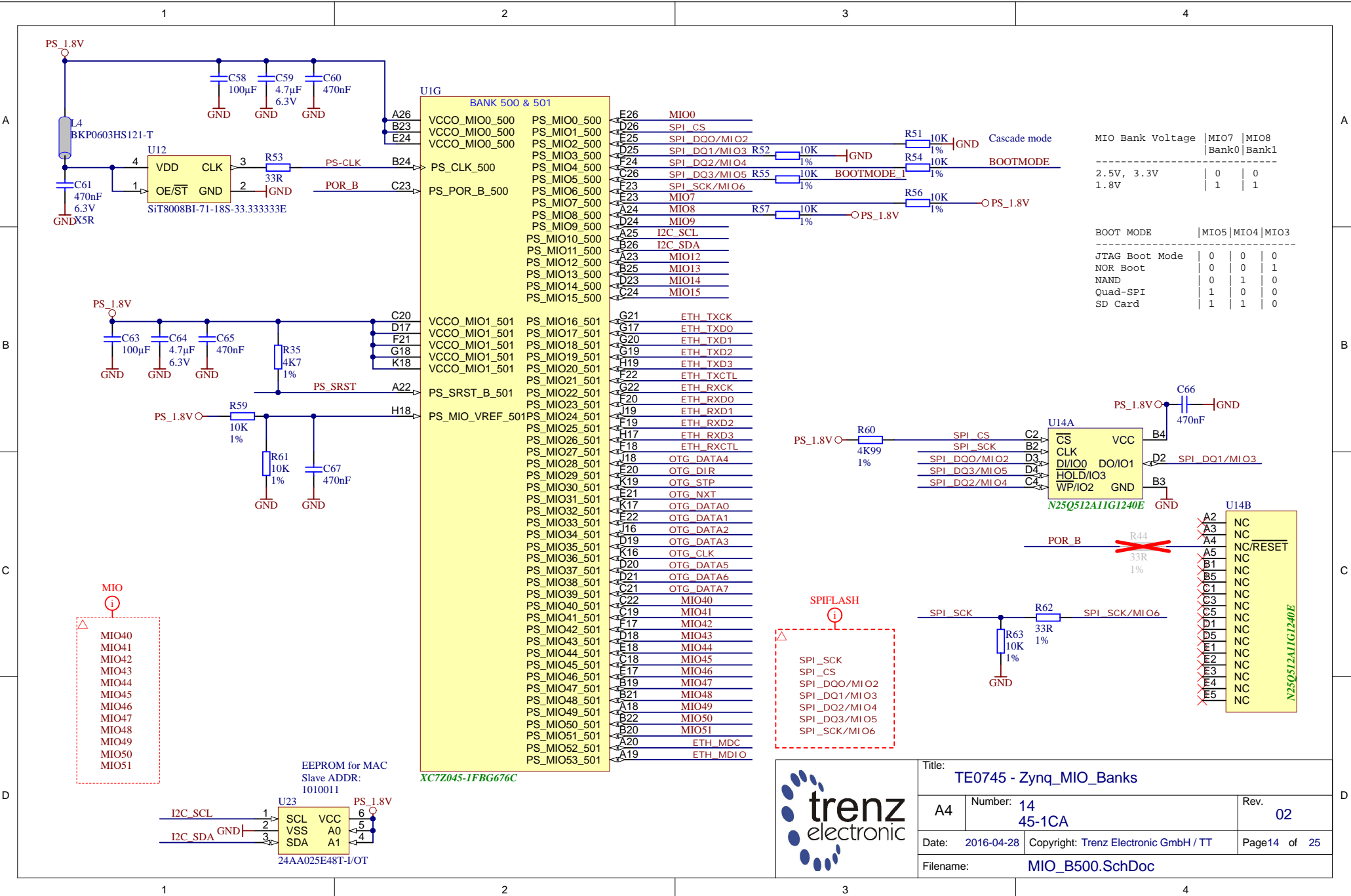
Title: TE0745 - Zynq_B34		
A4	Number: 11 45-1CA	Rev. 02
Date: 2016-04-28	Copyright: Trenz Electronic GmbH / TT	Page 11 of 25
Filename: B34.SchDoc		



	Title: TE0745 - Zynq_B35		
	A4	Number: 12 45-1CA	Rev. 02
	Date: 2016-04-28	Copyright: Trenz Electronic GmbH / TT	Page 12 of 25
	Filename: B35.SchDoc		



	Title: TE0745 - Zynq_MGT		
	A4	Number: 13 45-1CA	Rev. 02
	Date: 2016-04-28	Copyright: Trenz Electronic GmbH / TT	Page 13 of 25
	Filename: FPGA_MGT.SchDoc		



Title	Number	Date	Copyright	Page
TE0745 - Zynq_MIO_Banks	14 45-1CA	2016-04-28	Trenz Electronic GmbH / TT	14 of 25

Filename: MIO_B500.SchDoc

1

2

3

4

A

A

B

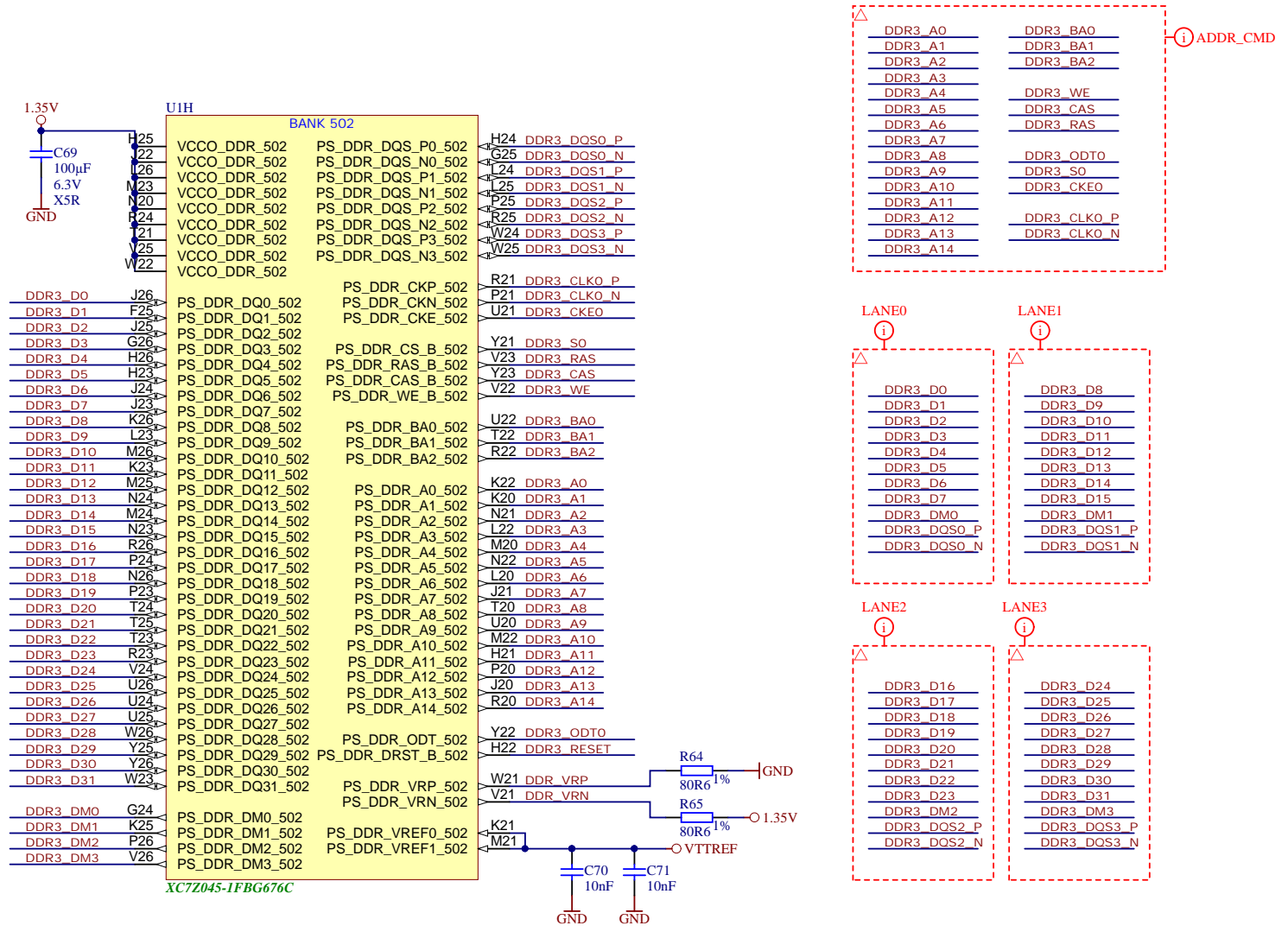
B

C

C

D

D



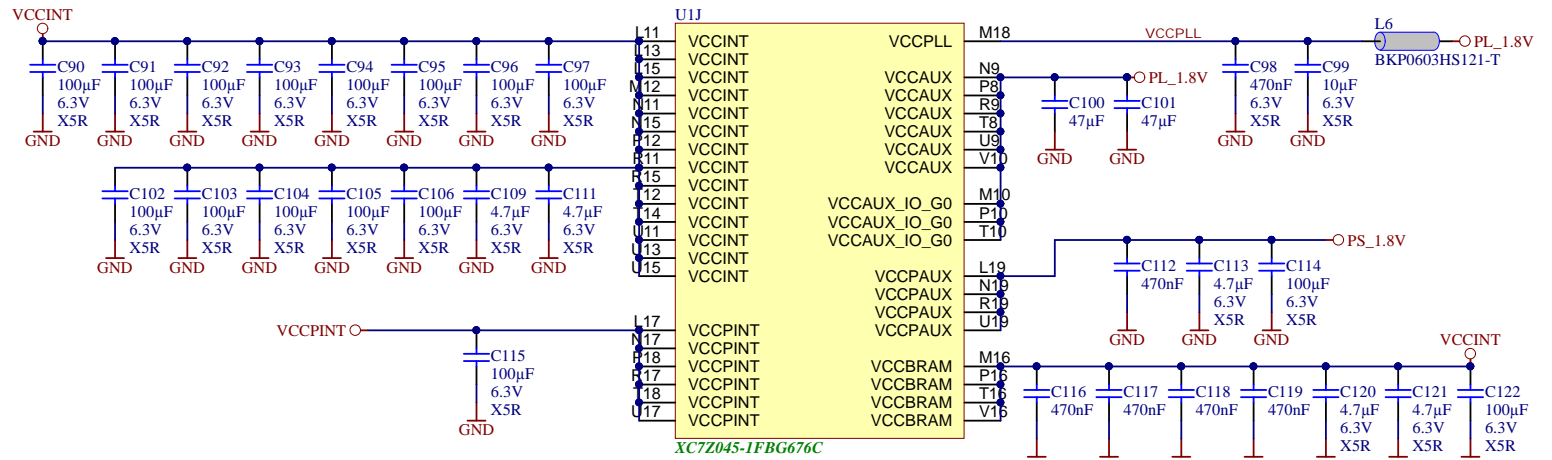
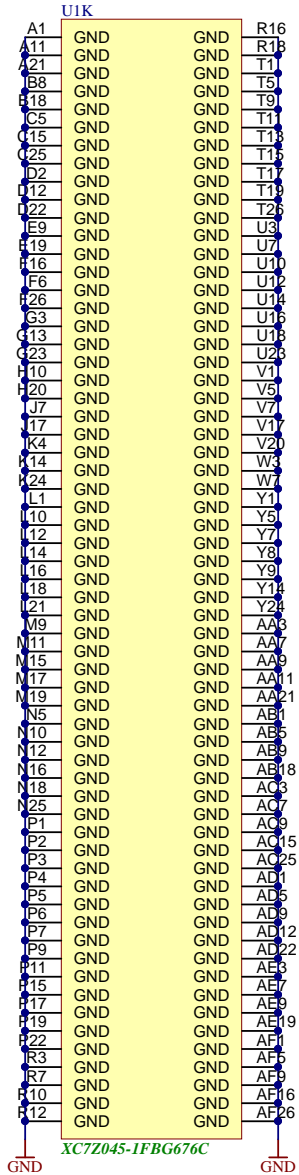
Title: TE0745 - Zynq_PS_DDR		
A4	Number: 15 45-1CA	Rev. 02
Date: 2016-04-28	Copyright: Trenz Electronic GmbH / TT	Page 15 of 25
Filename: PS-DDR.SchDoc		

1

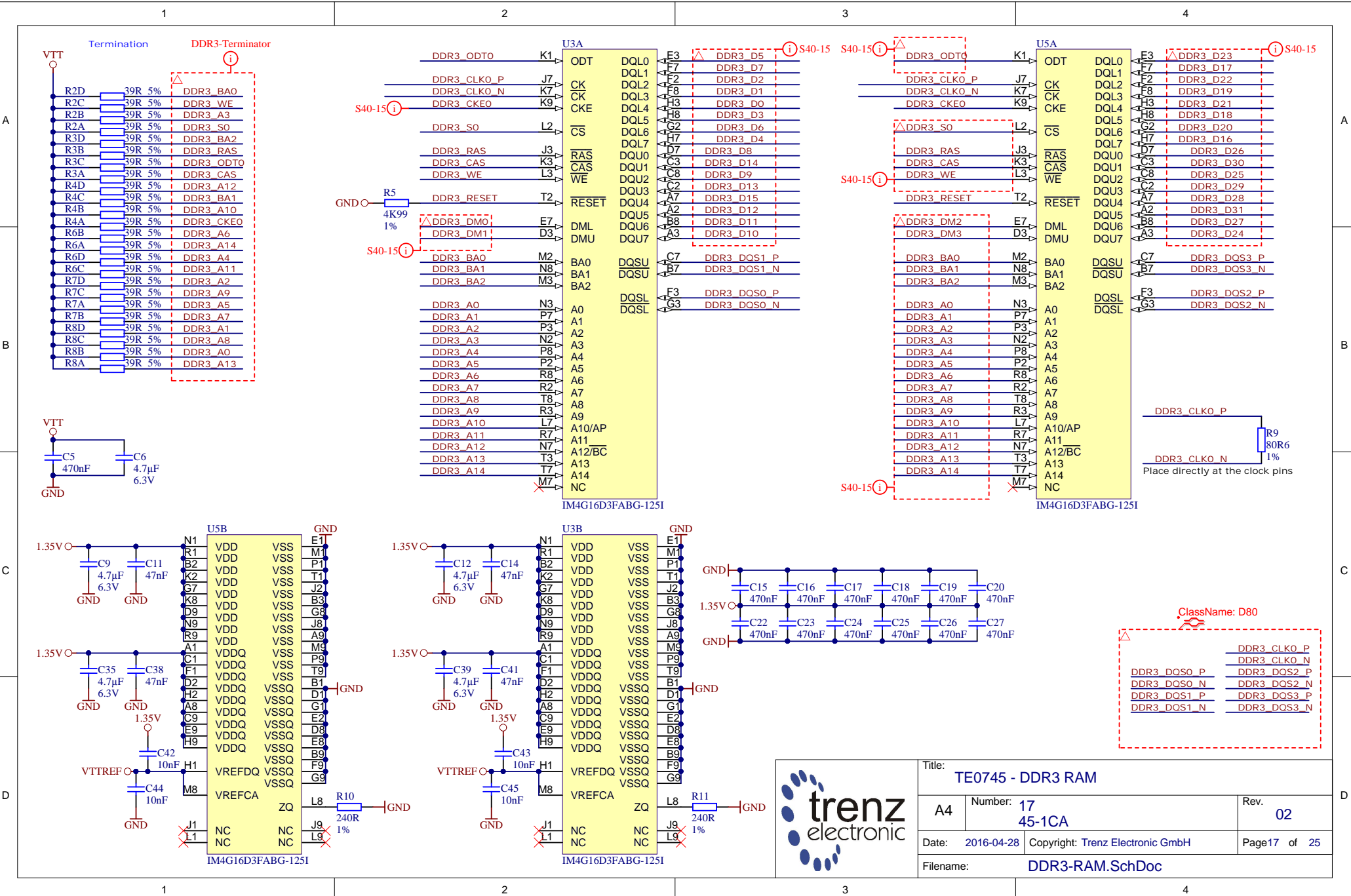
2

3

4



Title: TE0745 - Zynq_Power		
A4	Number: 16 45-1CA	Rev. 02
Date: 2016-04-28	Copyright: Trenz Electronic GmbH / TT	Page 16 of 25
Filename: ZYNC_POWER.SchDoc		



trenz electronic

Title: TE0745 - DDR3 RAM		
A4	Number: 17 45-1CA	Rev. 02
Date: 2016-04-28	Copyright: Trenz Electronic GmbH	Page 17 of 25
Filename: DDR3-RAM.SchDoc		

1

2

3

4

A

A

B

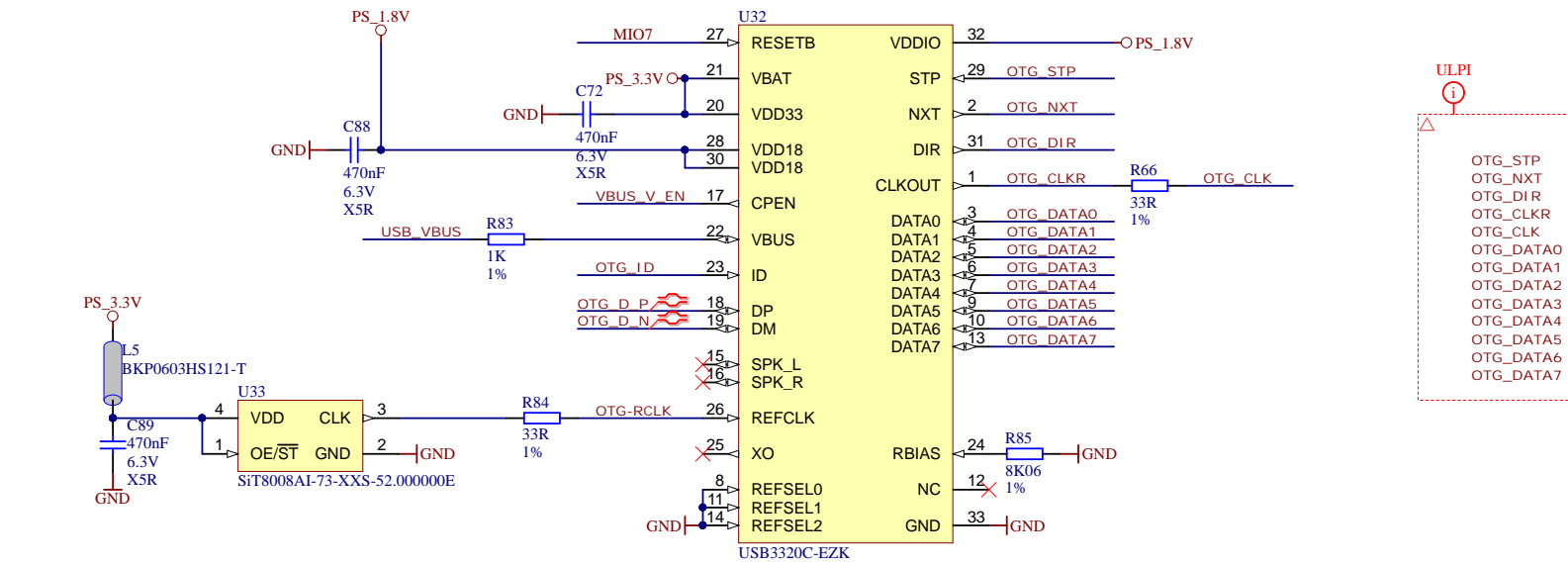
B

C

C

D

D



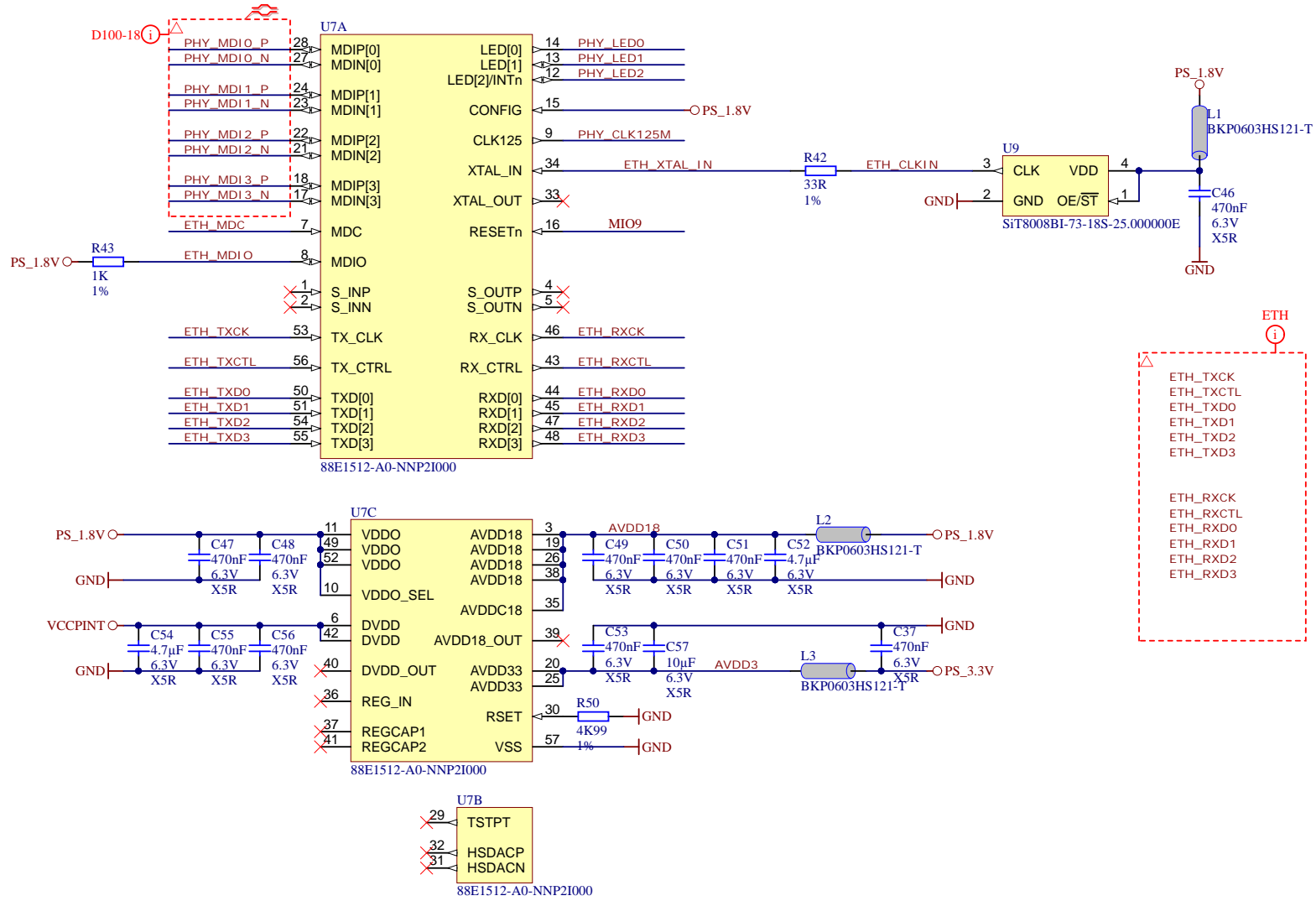
	Title: TE0745 - USB_PHY		
	A4	Number: 18 45-1CA	Rev. 02
	Date: 2016-04-28	Copyright: Trenz Electronic GmbH / TT	
	Filename: USB-PHY.SchDoc		Page18 of 25

1

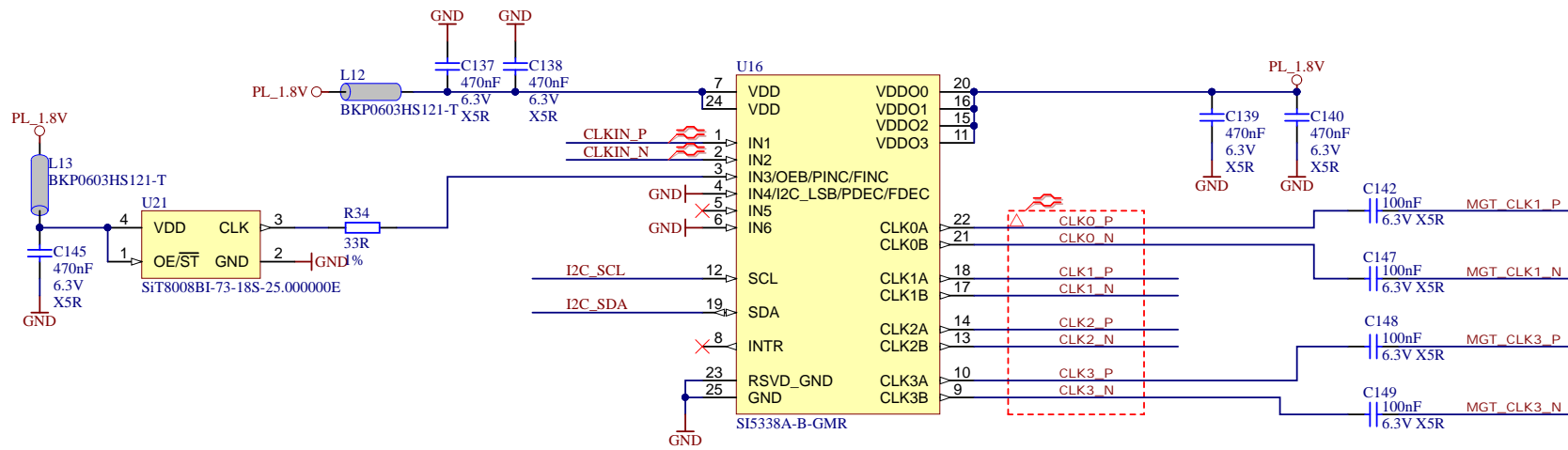
2

3


4



Title: TE0745 - ETH_PHY		
A4	Number: 19 45-1CA	Rev. 02
Date: 2016-04-28	Copyright: Trenz Electronic GmbH / TT	Page 19 of 25
Filename: ETH-PHY.SchDoc		



Slave ADDR:
1110000 OR 1110001

	Title: TE0745 - CLK		
	A4	Number: 20 45-1CA	Rev. 02
	Date: 2016-04-28	Copyright: Trenz Electronic GmbH / TT	Page20 of 25
	Filename: CLK.SchDoc		

1

2

3

4

A

A

B

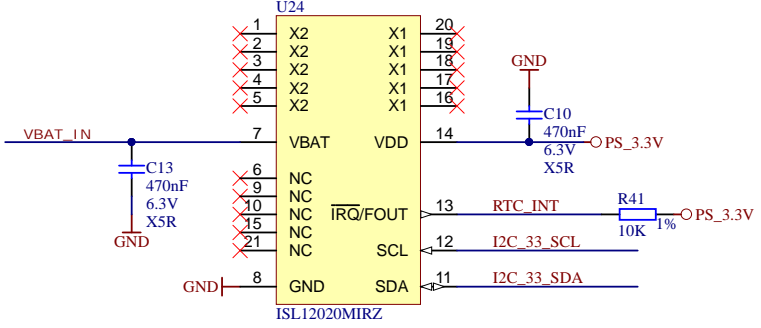
B

C

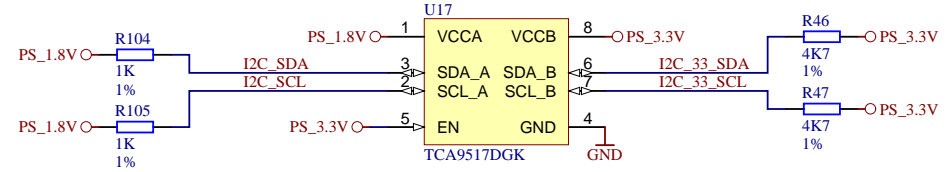
C

D

D



Slave ADDR:
 for RTC registers: 1101111
 for User SRAM: 1010111



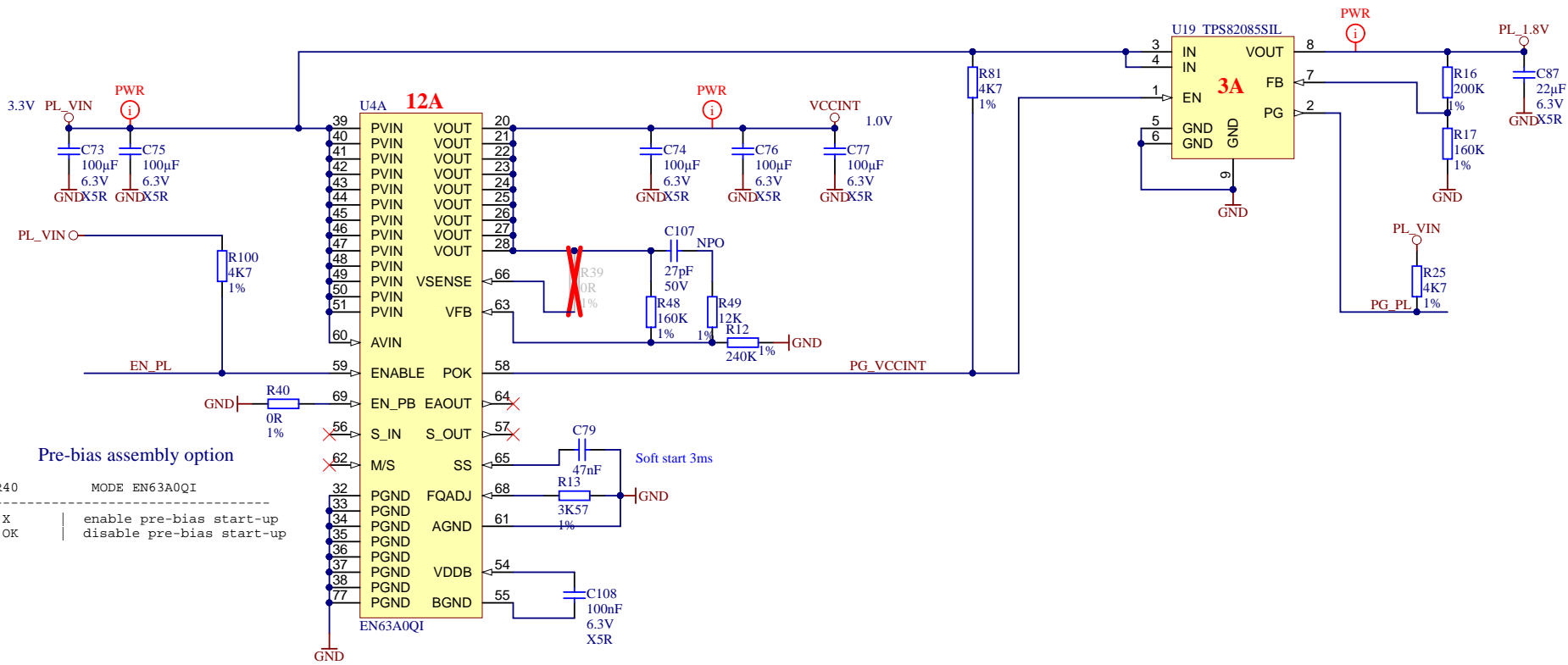
Title: TE0745 - RTC		
A4	Number: 21 45-1CA	Rev. 02
Date: 2016-04-28	Copyright: Trenz Electronic GmbH / TT	Page21 of 25
Filename: SENSOR-RTC.SchDoc		

1

2

3

4



Pre-bias assembly option

R39 R40 MODE EN63A0QI

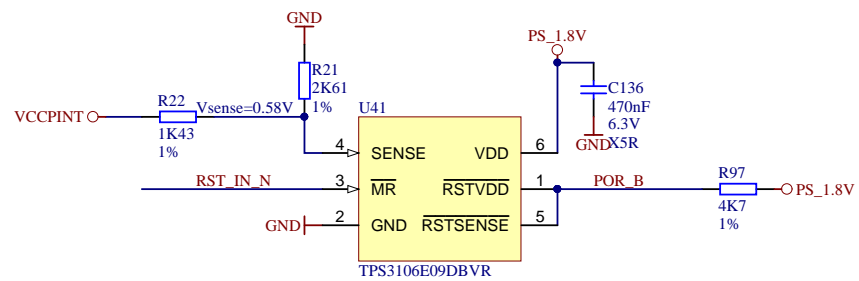
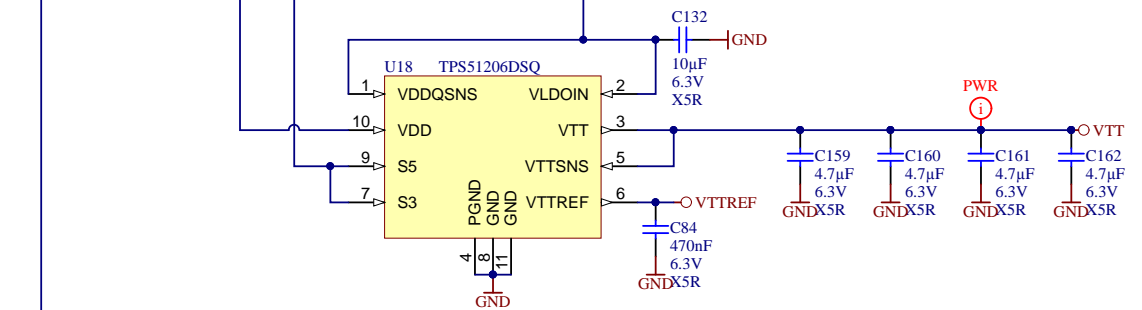
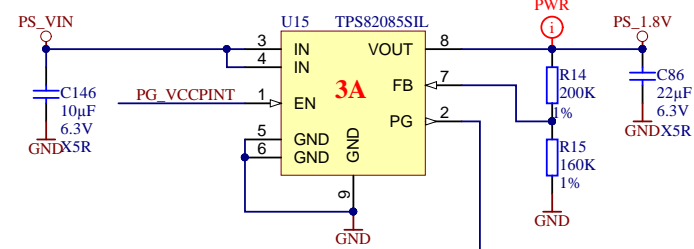
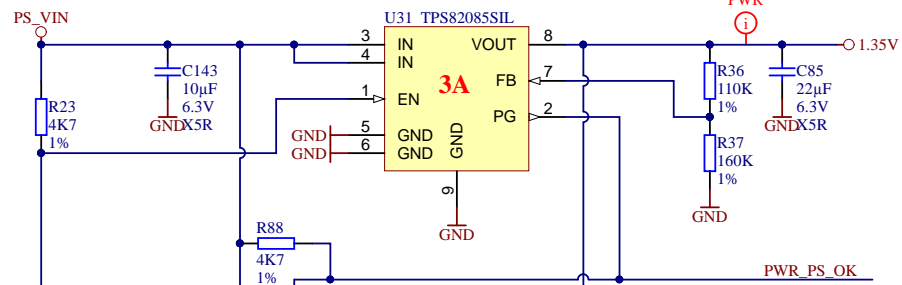
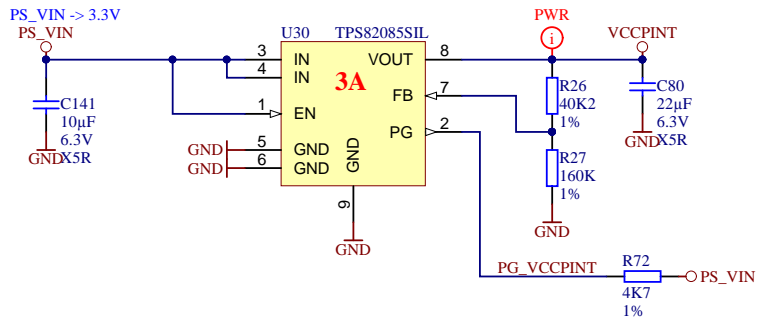

 OK X enable pre-bias start-up
 X OK disable pre-bias start-up

U4B			
1	NC	NC	17
2	NC	NC	18
3	NC	NC	19
4	NC	NC	29
5	NC	NC	30
6	NC	NC(SW)	31
7	NC	NC(SW)	52
8	NC	NC	53
9	NC	NC	67
10	NC	NC(SW)	70
11	NC	NC(SW)	71
12	NC	NC(SW)	72
13	NC	NC	73
14	NC	NC	74
15	NC	NC	75
16	NC	NC	76

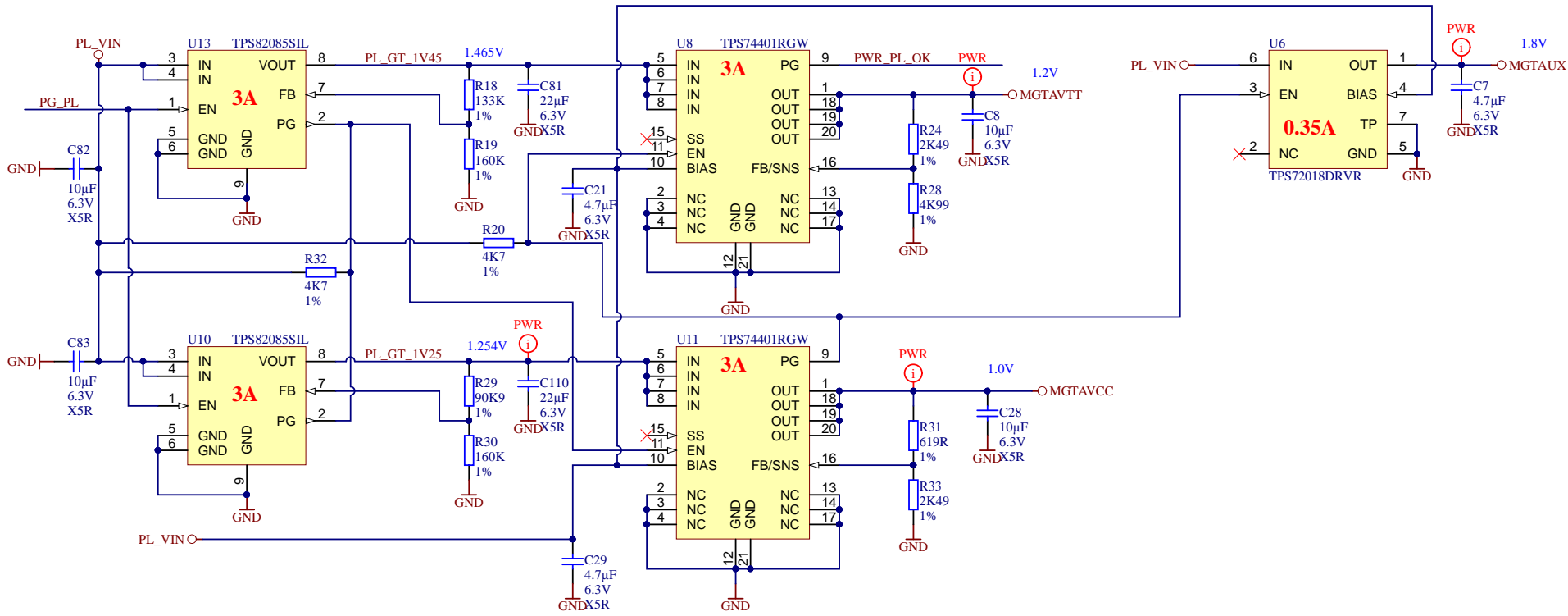
EN63A0QI




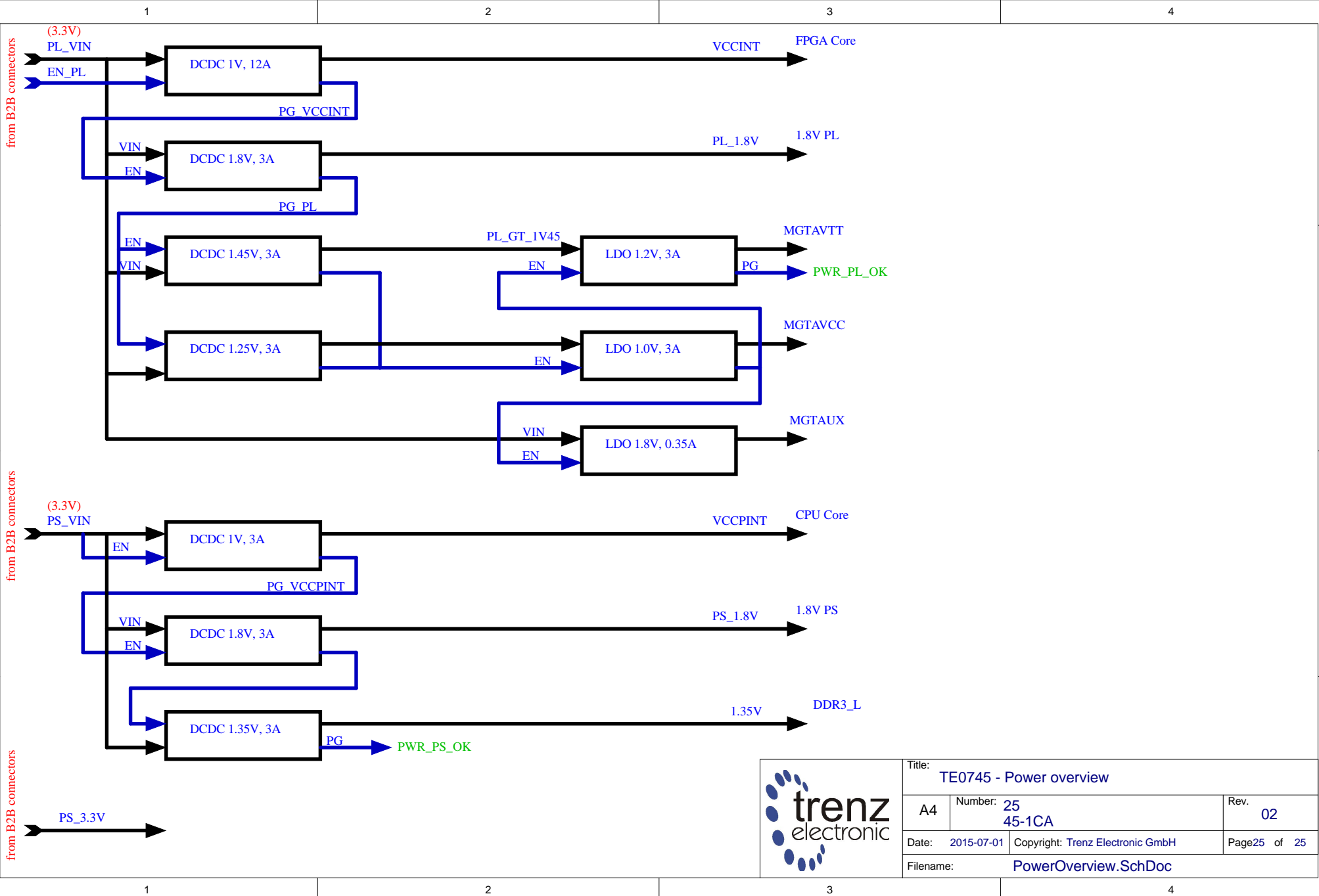
Title: TE0745 - Power		
A4	Number: 22 45-1CA	Rev. 02
Date: 2016-04-28	Copyright: Trenz Electronic GmbH / TT	Page22 of 25
Filename: POWER.SchDoc		

Title: TE0745 - Power2		
A4	Number: 23 45-1CA	Rev. 02
Date: 2016-04-28	Copyright: Trenz Electronic GmbH / TT	Page23 of 25
Filename: POWER_2.SchDoc		



	Title: TE0745 - Power3		
	A4	Number: 24 45-1CA	Rev. 02
	Date: 2016-04-28	Copyright: Trenz Electronic GmbH / TT	Page24 of 25
	Filename: POWER_3.SchDoc		



Title: TE0745 - Power overview		
A4	Number: 25 45-1CA	Rev. 02
Date: 2015-07-01	Copyright: Trenz Electronic GmbH	Page 25 of 25
Filename: PowerOverview.SchDoc		