

1

2

3

4

CHANGES REV01 to REV02

- 1) MAC EEPROM Address patch fixed on PCB
- 2) lib components update

A

A

B

B

C

C

D

D



| | | |
|-----------------------------------|---------------------------------------|-------------|
| Title: TE0745 | | |
| A4 | Number: 1 45-3E | Rev. 02 |
| Date: 2016-04-28 | Copyright: Trenz Electronic GmbH / TT | Page1 of 25 |
| Filename: Revision Changes.SchDoc | | |

1

2

3

4

U_J1
J1.SchDoc

U_J2
J2.SchDoc

U_J3
J3.SchDoc

U_ZYNQ
ZYNQ.SchDoc

U_POWER
POWER.SchDoc

U_POWER_2
POWER_2.SchDoc

U_RTC
SENSOR-RTC.SchDoc

U_POWER_3
POWER_3.SchDoc

U_CLK
CLK.SchDoc

U_DDR3
DDR3-RAM.SchDoc

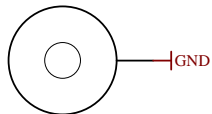
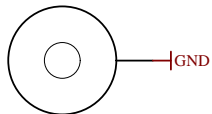
U_ETH_PHY
ETH-PHY.SchDoc

U_USB_PHY
USB-PHY.SchDoc

U_PowerOverview
PowerOverview.SchDoc

U_Revision Changes
Revision Changes.SchDoc

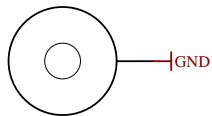
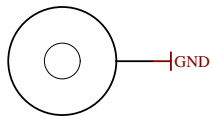
LOGO1
TE Logo PRINT Layer
LOGO PRINT



Mount.Hole 3.2mm für Unterlegscheibe

Mount.Hole 3.2mm für Unterlegscheibe

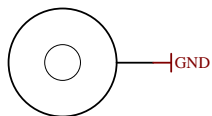
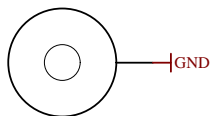
FIDU-DOT - small FIDU-DOT - small



Mount.Hole 3.2mm für Unterlegscheibe

Mount.Hole 3.2mm für Unterlegscheibe

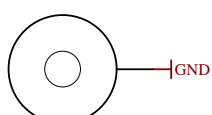
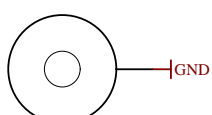
PM1 PM2
FIDU-DOT - small FIDU-DOT - small



Mount.Hole 3.2mm für Unterlegscheibe

Mount.Hole 3.2mm für Unterlegscheibe

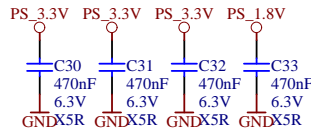
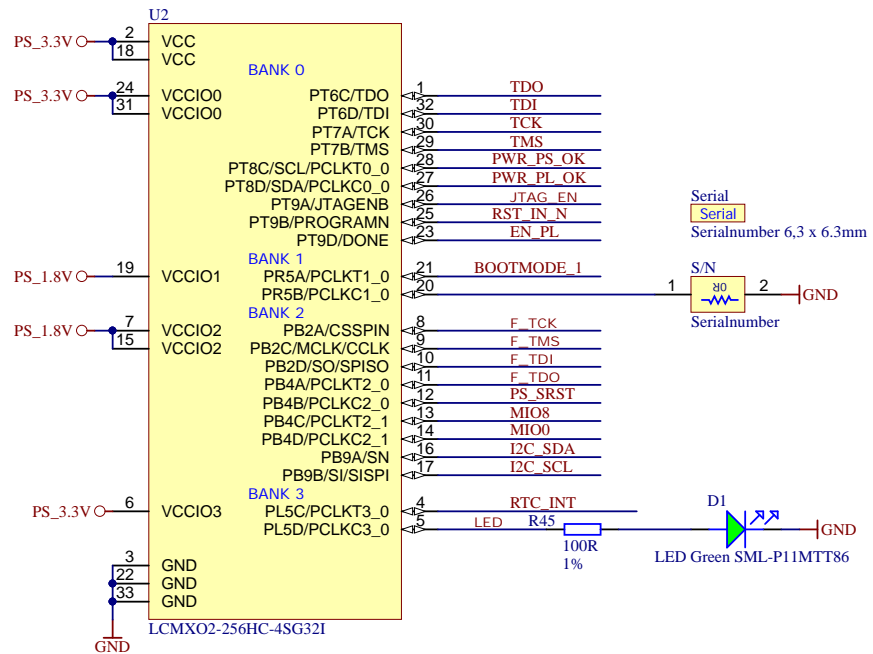
PM3 PM4
FIDU-DOT - small FIDU-DOT - small



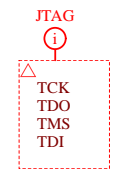
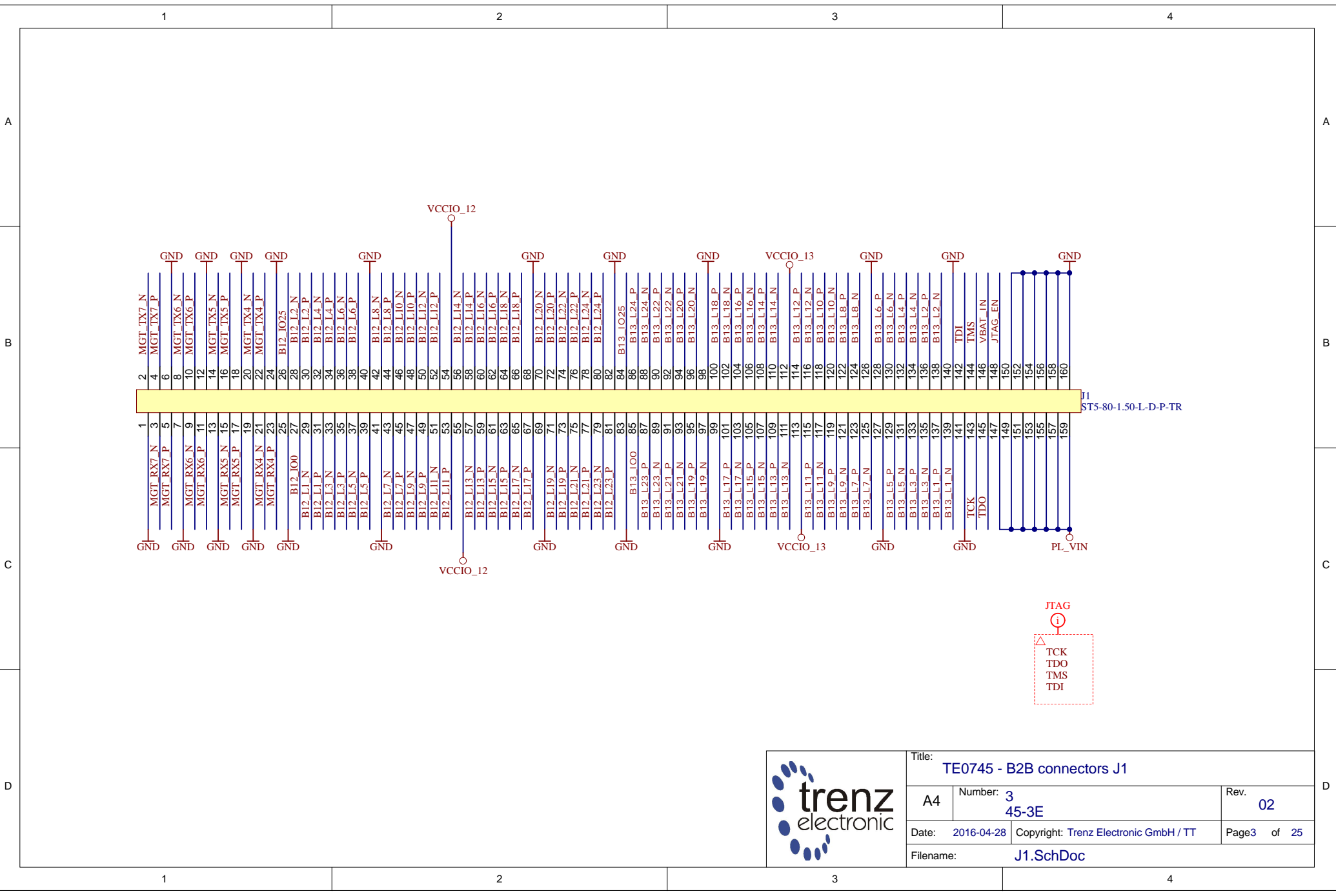
Mount.Hole 3.2mm für Unterlegscheibe

Mount.Hole 3.2mm für Unterlegscheibe

PM5 PM6



| | | |
|-------------------------|---------------------------------------|-------------|
| Title: TE0745 | | |
| A4 | Number: 2 45-3E | Rev. 02 |
| Date: 2016-04-28 | Copyright: Trenz Electronic GmbH / TT | Page2 of 25 |
| Filename: TE0745.SchDoc | | |

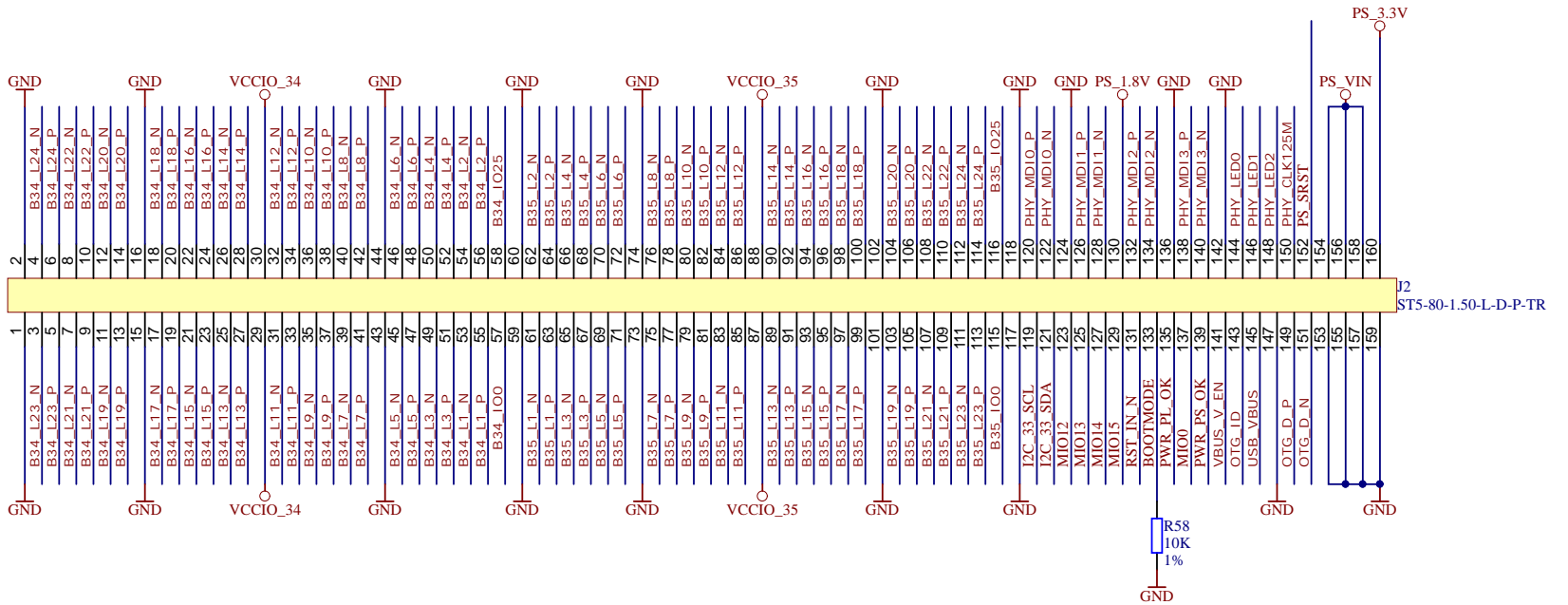


| | | |
|-----------------------------------|---------------------------------------|-------------|
| Title: TE0745 - B2B connectors J1 | | |
| A4 | Number: 3 45-3E | Rev. 02 |
| Date: 2016-04-28 | Copyright: Trenz Electronic GmbH / TT | Page3 of 25 |
| Filename: J1.SchDoc | | |

ETH_MDI

i

- PHY_MDI1_P
- PHY_MDI1_A
- PHY_MDI3_P
- PHY_MDI3_N
- PHY_MDI0_P
- PHY_MDI0_N
- PHY_MDI2_P
- PHY_MDI2_N



| | | |
|-----------------------------------|---------------------------------------|-------------|
| Title: TE0745 - B2B connectors J2 | | |
| A4 | Number: 4 45-3E | Rev. 02 |
| Date: 2016-04-28 | Copyright: Trenz Electronic GmbH / TT | Page4 of 25 |
| Filename: J2.SchDoc | | |

1

2

3

4

A

A

B

B

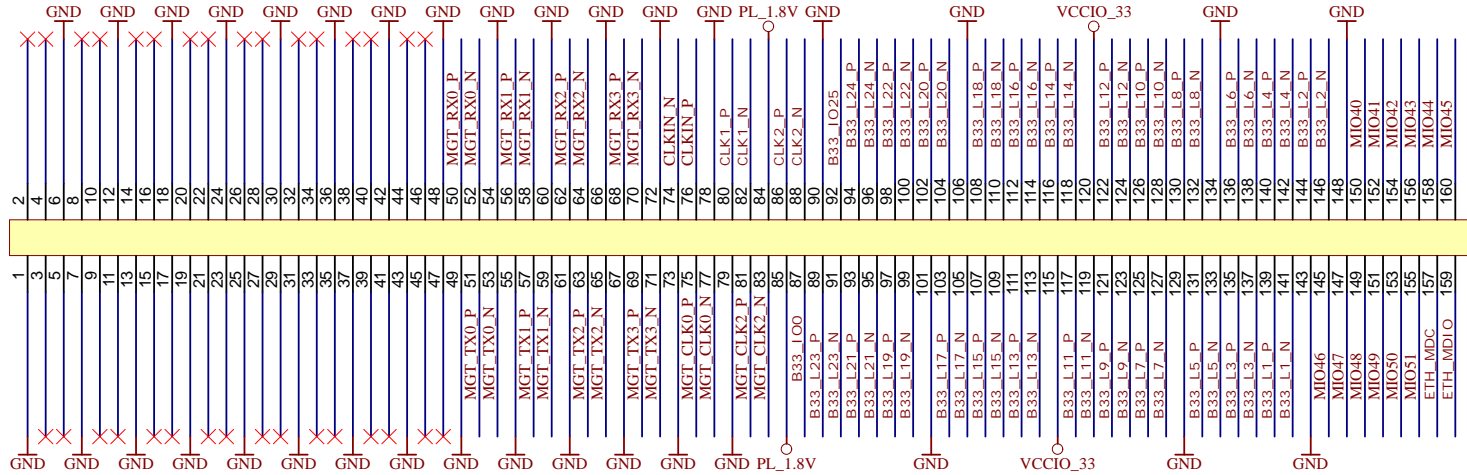
C

C

D

D

RESERVED for additional 8 GTX lanes



J3
ST5-80-1.50-L-D-P-TR



| | | |
|-----------------------------------|---------------------------------------|-------------|
| Title: TE0745 - B2B connectors J3 | | |
| A4 | Number: 5 45-3E | Rev. 02 |
| Date: 2016-04-28 | Copyright: Trenz Electronic GmbH / TT | Page5 of 25 |
| Filename: J3.SchDoc | | |

1

2

3

4

1

2

3

4

U_B12
B12.SchDoc



U_B500
MIO_B500.SchDoc



U_B13
B13.SchDoc



U_PS_DDR
PS-DDR.SchDoc



U_B33
B33.SchDoc



U_MISC
ZYNQ_MISC.SchDoc



U_B34
B34.SchDoc



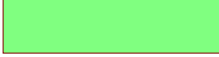
U_ZYNQ_POWER
ZYNQ_POWER.SchDoc



U_B35
B35.SchDoc



U_FPGA_MGT
FPGA_MGT.SchDoc



1

2

3

4

A

A

B

B

C

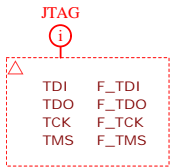
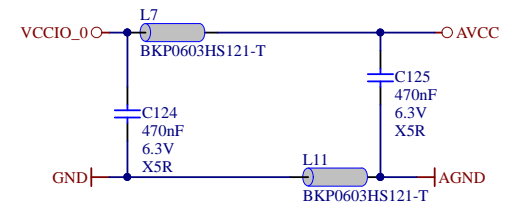
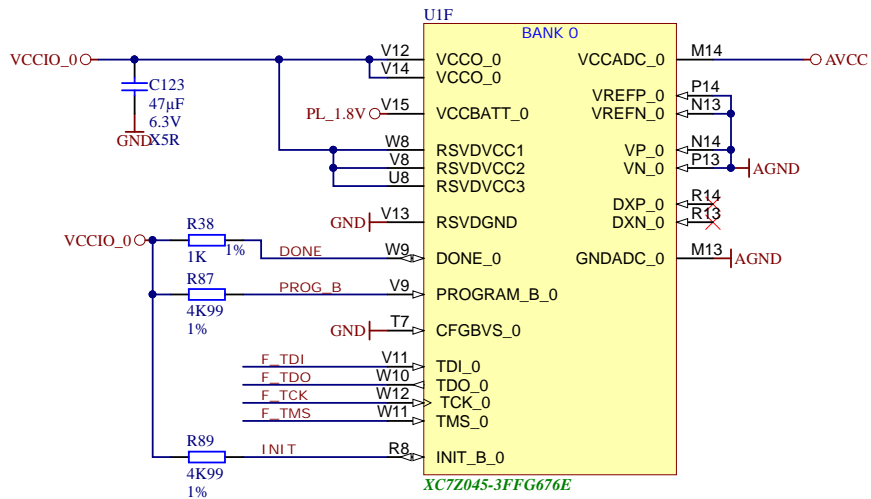
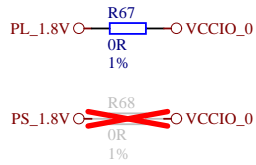
C

D

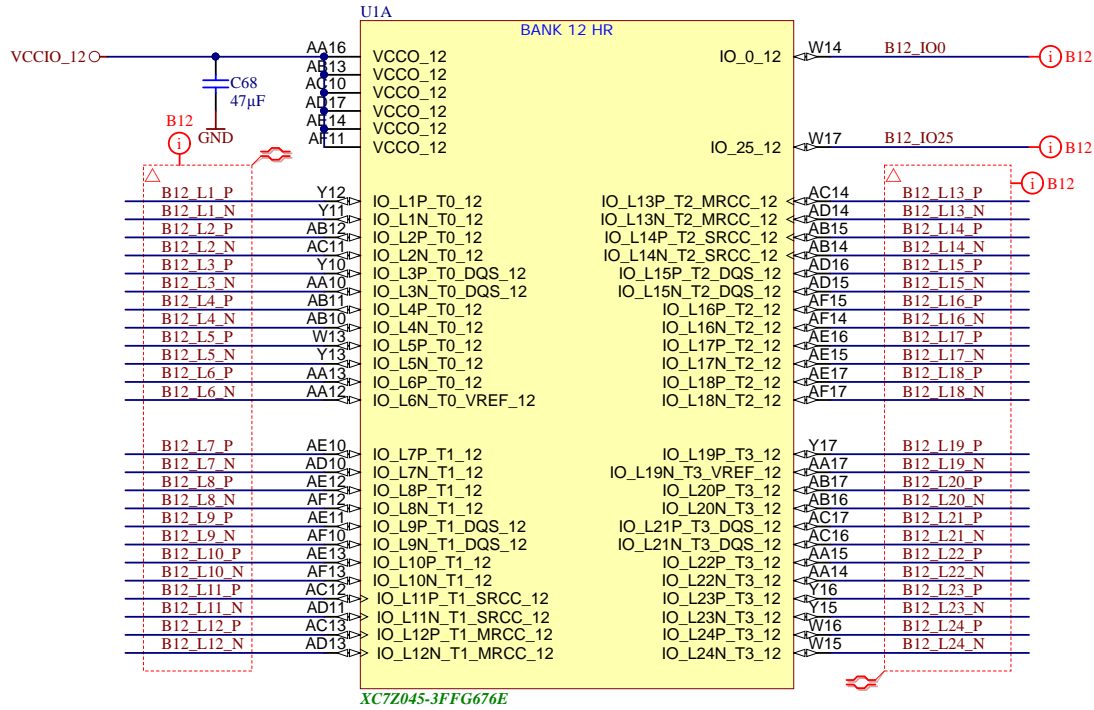
D




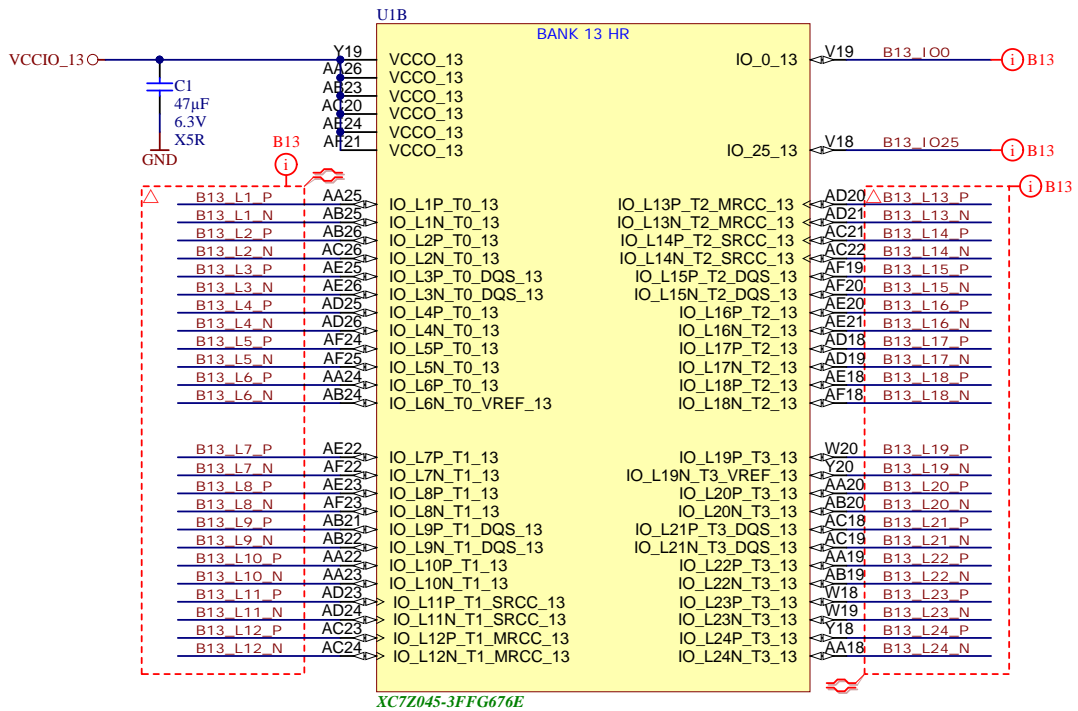
| | | |
|-----------------------|---------------------------------------|-------------|
| Title: TE0745 - Zynq | | |
| A4 | Number: 6 45-3E | Rev. 02 |
| Date: 2016-04-28 | Copyright: Trenz Electronic GmbH / TT | Page6 of 25 |
| Filename: ZYNQ.SchDoc | | |



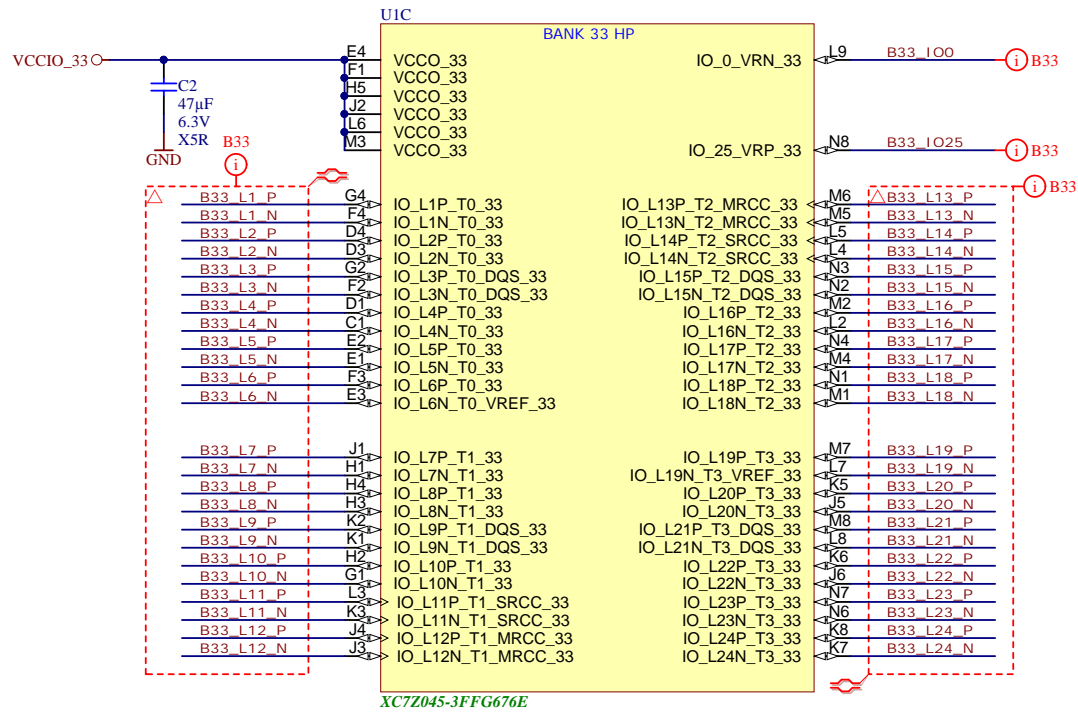
| | | | |
|--|----------------------------|---------------------------------------|--------------|
| | Title: TE0745 - Zynq_MISC | | |
| | A4 | Number: 7 45-3E | Rev. 02 |
| | Date: 2016-04-28 | Copyright: Trenz Electronic GmbH / TT | Page 7 of 25 |
| | Filename: ZYNQ_MISC.SchDoc | | |




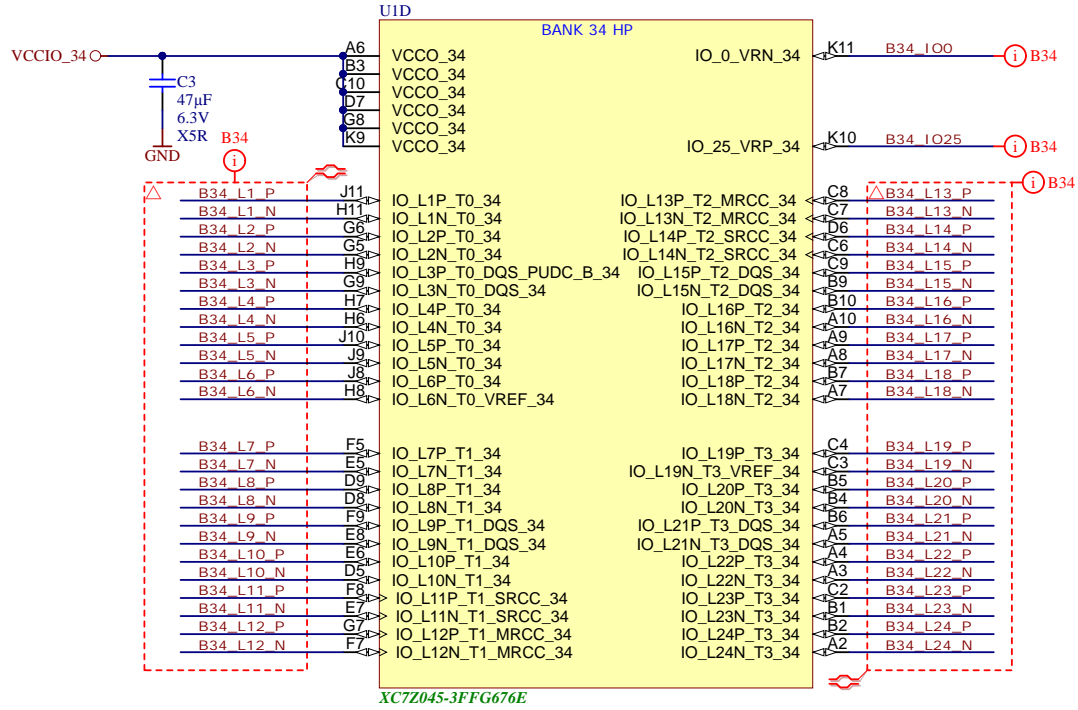
| | | | |
|---|--|---------------------------------------|--------------------|
|  | | Title: TE0745 - Zynq_B12 | |
| | | A4 | Number: 8 45-3E |
| Date: 2016-04-28 | | Copyright: Trenz Electronic GmbH / TT | |
| Filename: B12.SchDoc | | Page8 of 25 | |



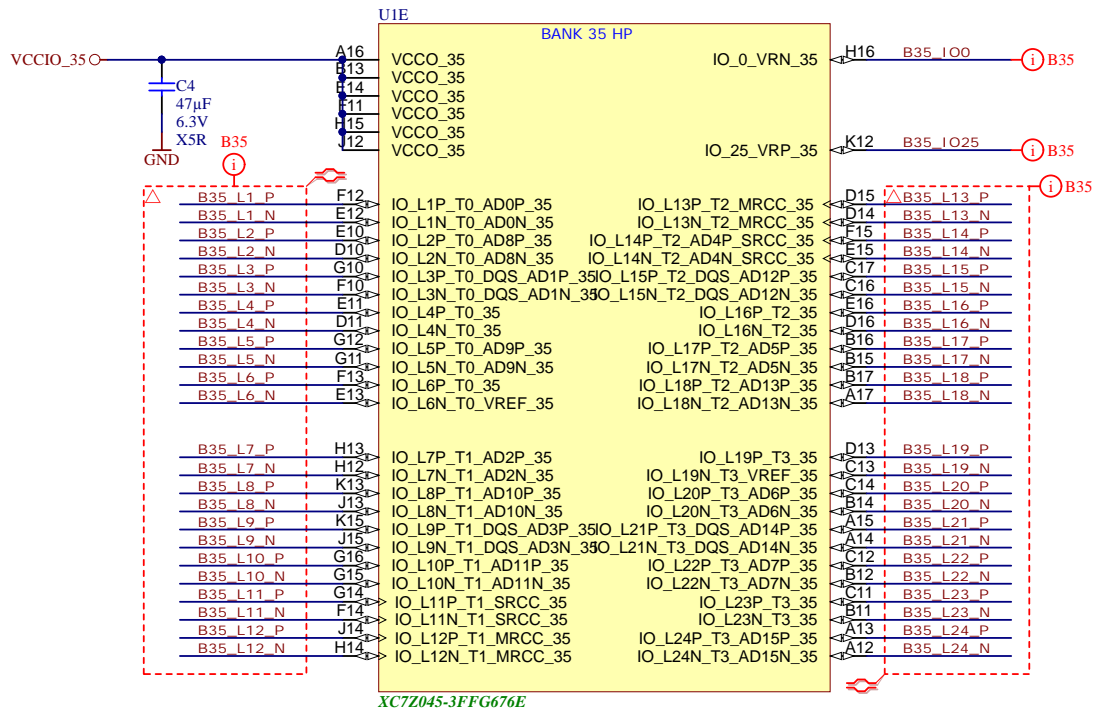
| | | |
|--------------------------|---------------------------------------|-------------|
| Title: TE0745 - Zynq_B13 | | |
| A4 | Number: 9 45-3E | Rev. 02 |
| Date: 2016-04-28 | Copyright: Trenz Electronic GmbH / TT | Page9 of 25 |
| Filename: B13.SchDoc | | |



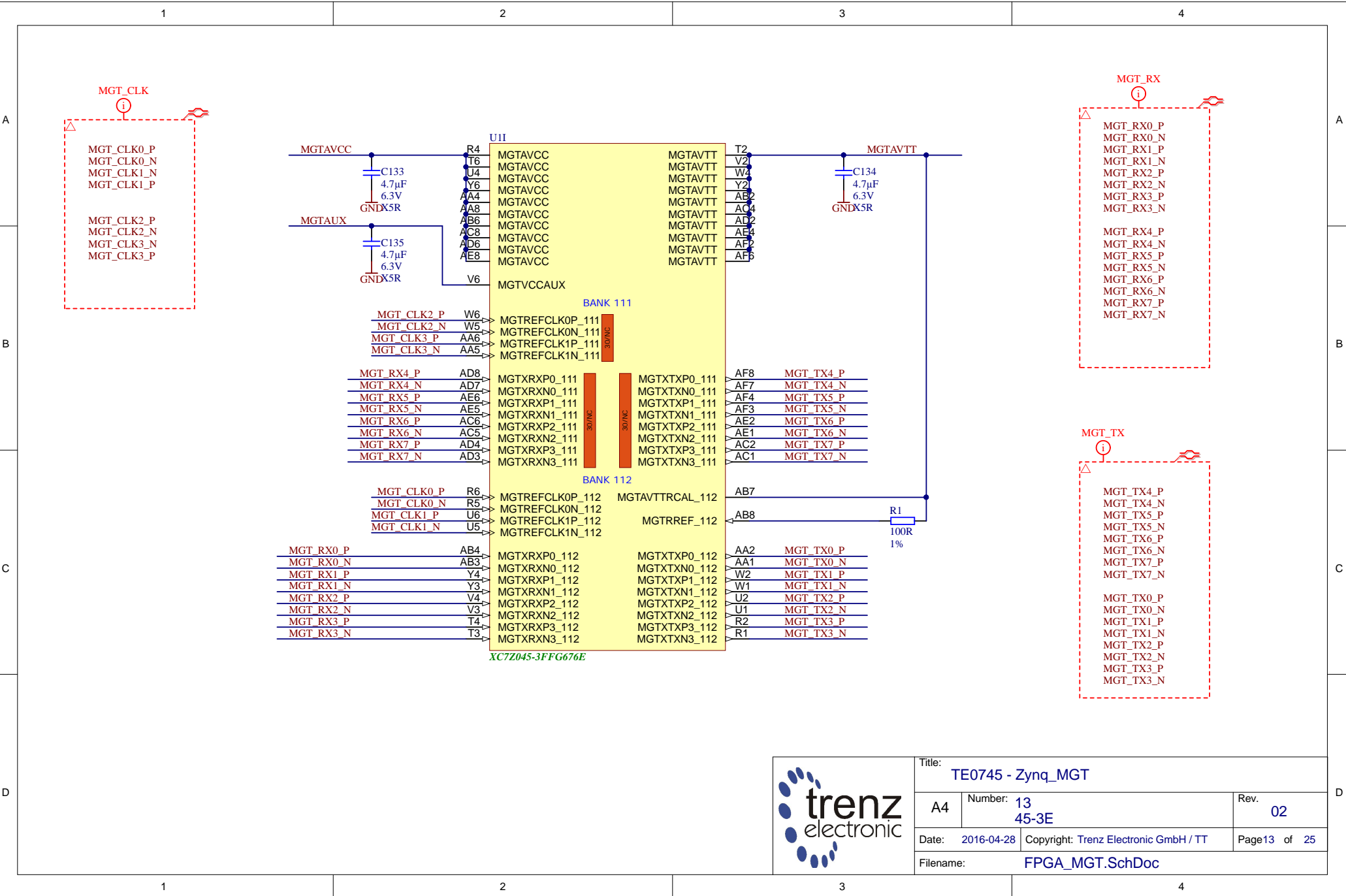
| | | | |
|---|--|---------------------------------------|---------------------|
|  | | Title: TE0745 - Zynq_B33 | |
| | | A4 | Number: 10 45-3E |
| Date: 2016-04-28 | | Copyright: Trenz Electronic GmbH / TT | |
| Filename: B33.SchDoc | | Page 10 of 25 | |



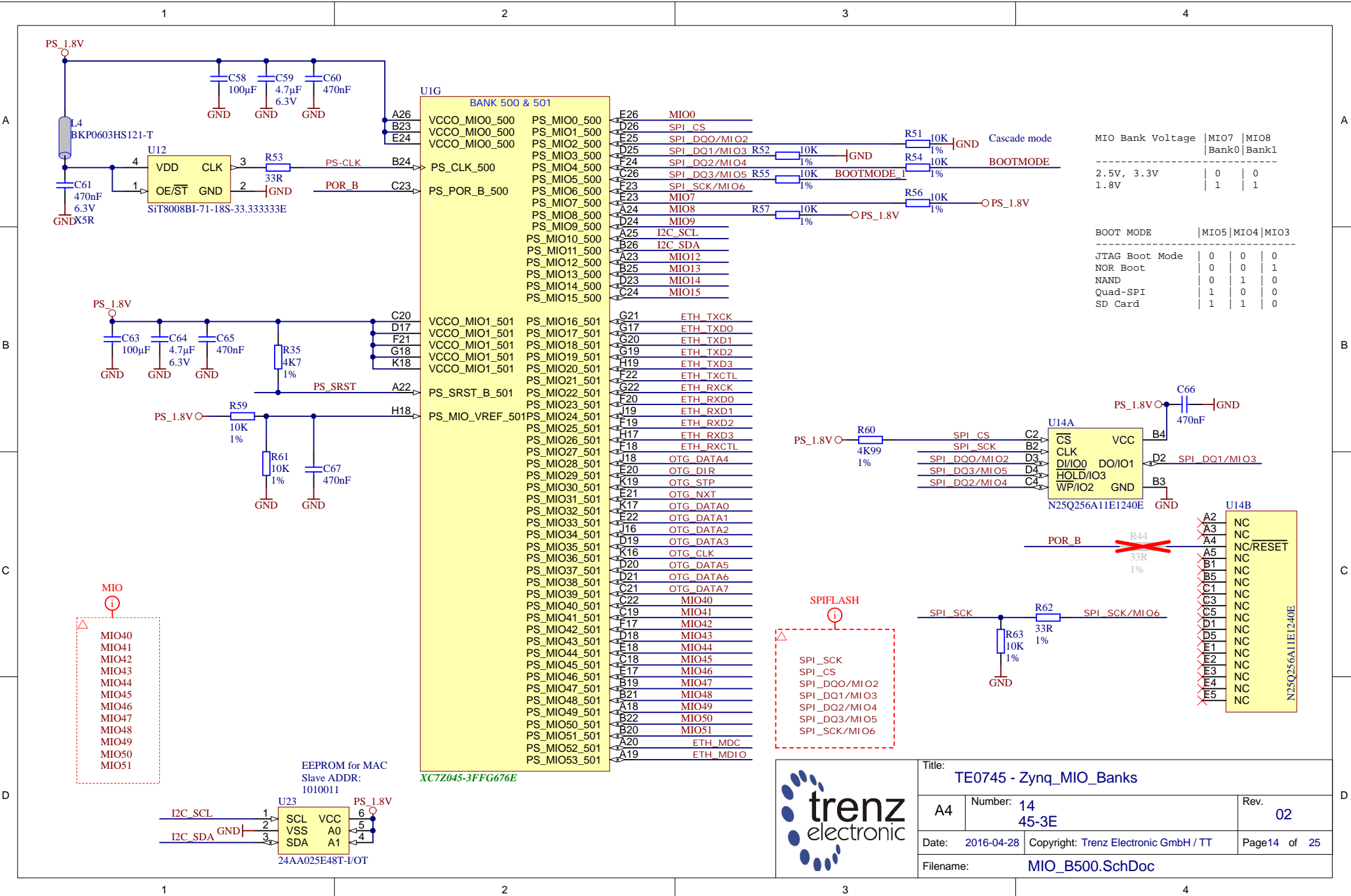
| | | | |
|--|--------------------------|---------------------------------------|---------------|
| | Title: TE0745 - Zynq_B34 | | |
| | A4 | Number: 11 45-3E | Rev. 02 |
| | Date: 2016-04-28 | Copyright: Trenz Electronic GmbH / TT | Page 11 of 25 |
| | Filename: B34.SchDoc | | |



| | | | |
|--|--------------------------|---------------------------------------|---------------|
| | Title: TE0745 - Zynq_B35 | | |
| | A4 | Number: 12 45-3E | Rev. 02 |
| | Date: 2016-04-28 | Copyright: Trenz Electronic GmbH / TT | Page 12 of 25 |
| | Filename: B35.SchDoc | | |



| | | | |
|--|---------------------------|---------------------------------------|--------------|
| | Title: TE0745 - Zynq_MGT | | |
| | A4 | Number: 13 45-3E | Rev. 02 |
| | Date: 2016-04-28 | Copyright: Trenz Electronic GmbH / TT | Page13 of 25 |
| | Filename: FPGA_MGT.SchDoc | | |



| | | | |
|--------------------------------|------------|---------------------------------------|---------------|
| Title: TE0745 - Zynq_MIO_Banks | | | |
| A4 | Number: 14 | Rev. 02 | |
| Date: 2016-04-28 | | Copyright: Trenz Electronic GmbH / TT | Page 14 of 25 |
| Filename: MIO_B500.SchDoc | | | |

1

2

3

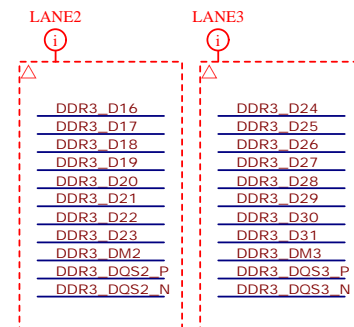
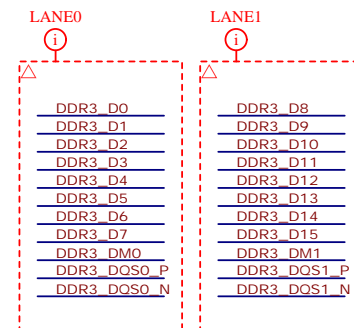
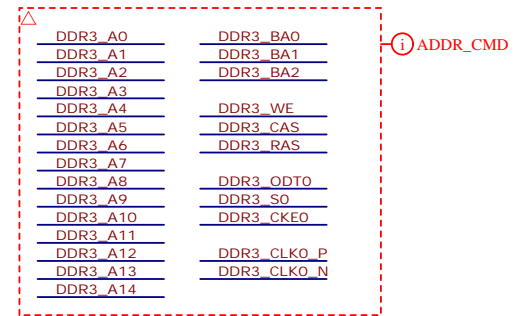
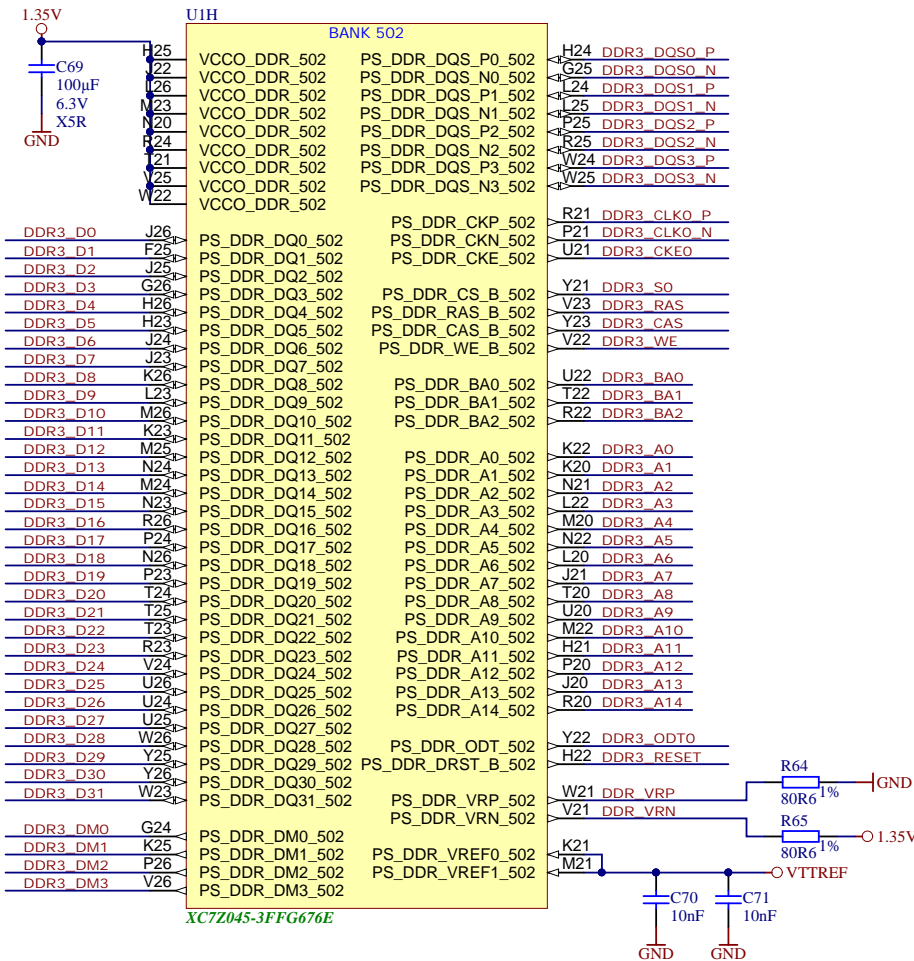

4

A

B

C

D

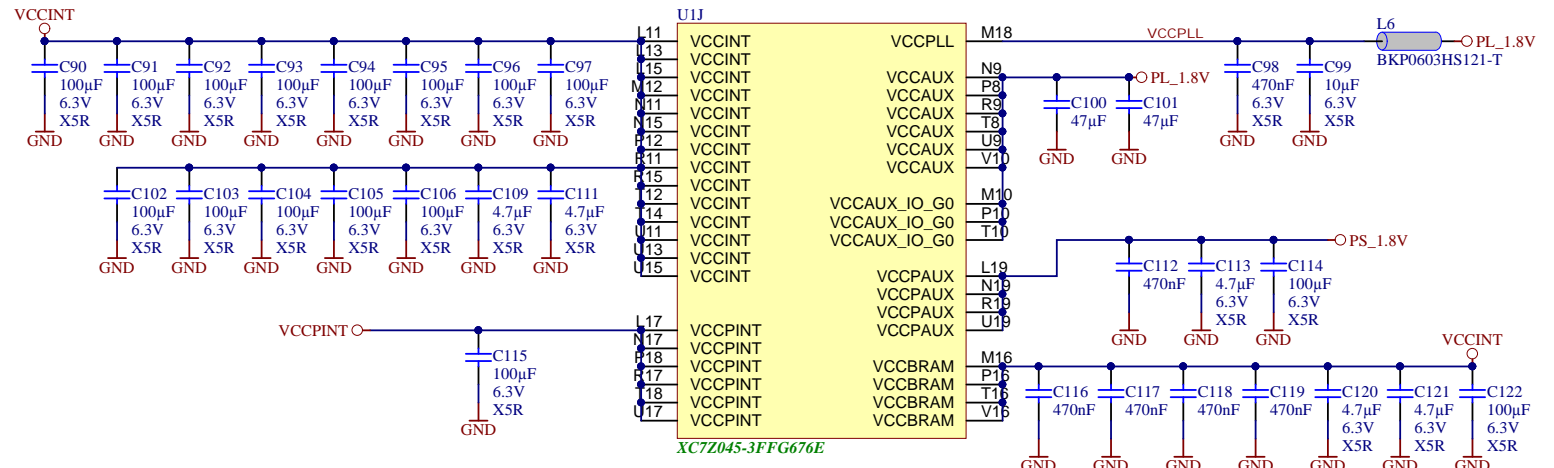
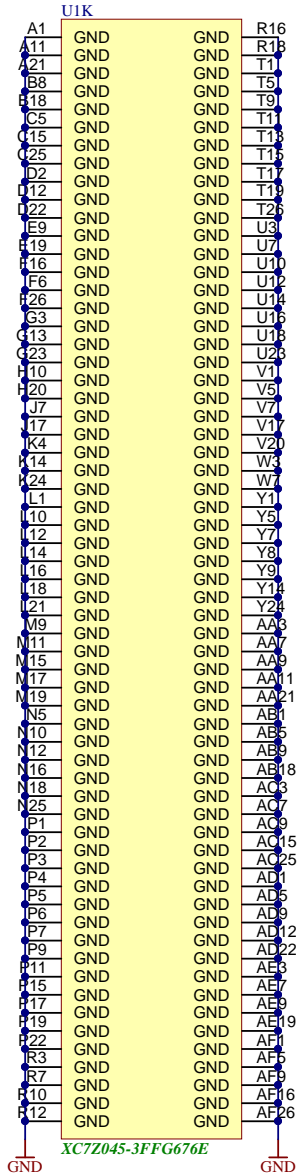
| | | |
|-----------------------------|---------------------------------------|---------------|
| Title: TE0745 - Zynq_PS_DDR | | |
| A4 | Number: 15 45-3E | Rev. 02 |
| Date: 2016-04-28 | Copyright: Trenz Electronic GmbH / TT | Page 15 of 25 |
| Filename: PS-DDR.SchDoc | | |

1

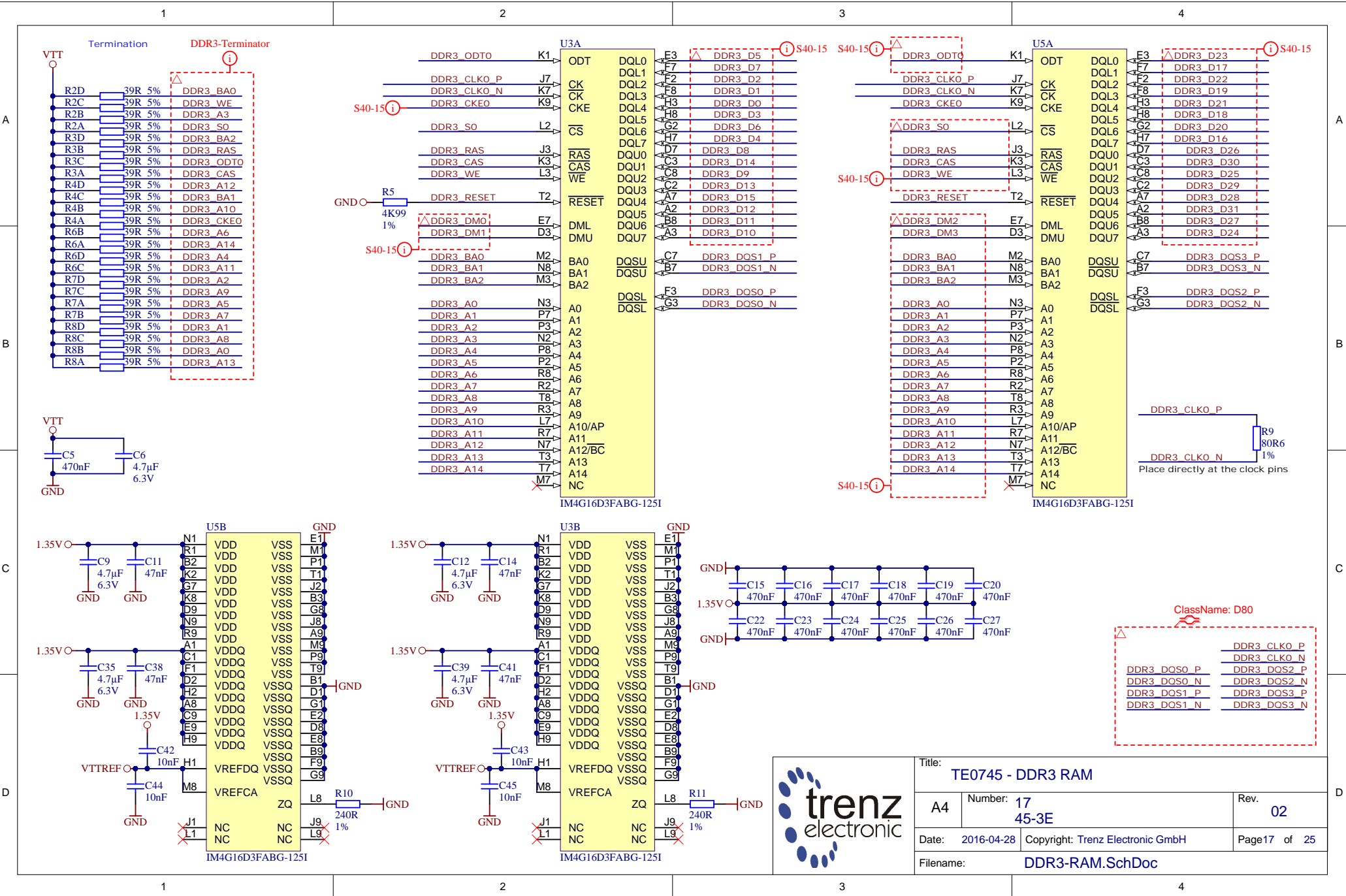
2

3

4



| | | |
|-----------------------------|---------------------------------------|---------------|
| Title: TE0745 - Zynq_Power | | |
| A4 | Number: 16 45-3E | Rev. 02 |
| Date: 2016-04-28 | Copyright: Trenz Electronic GmbH / TT | Page 16 of 25 |
| Filename: ZYNC_POWER.SchDoc | | |



| | | |
|----------------------------------|----------------------------------|----------------|
| Title: TE0745 - DDR3 RAM | | |
| A4 | Number: 17 | Rev. 02 |
| | 45-3E | |
| Date: 2016-04-28 | Copyright: Trenz Electronic GmbH | Page 17 of 25 |
| Filename: DDR3-RAM.SchDoc | | |

1

2

3

4

A

A

B

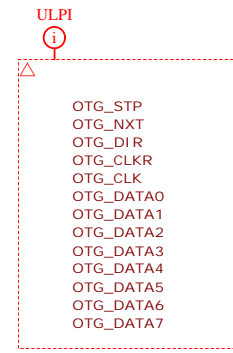
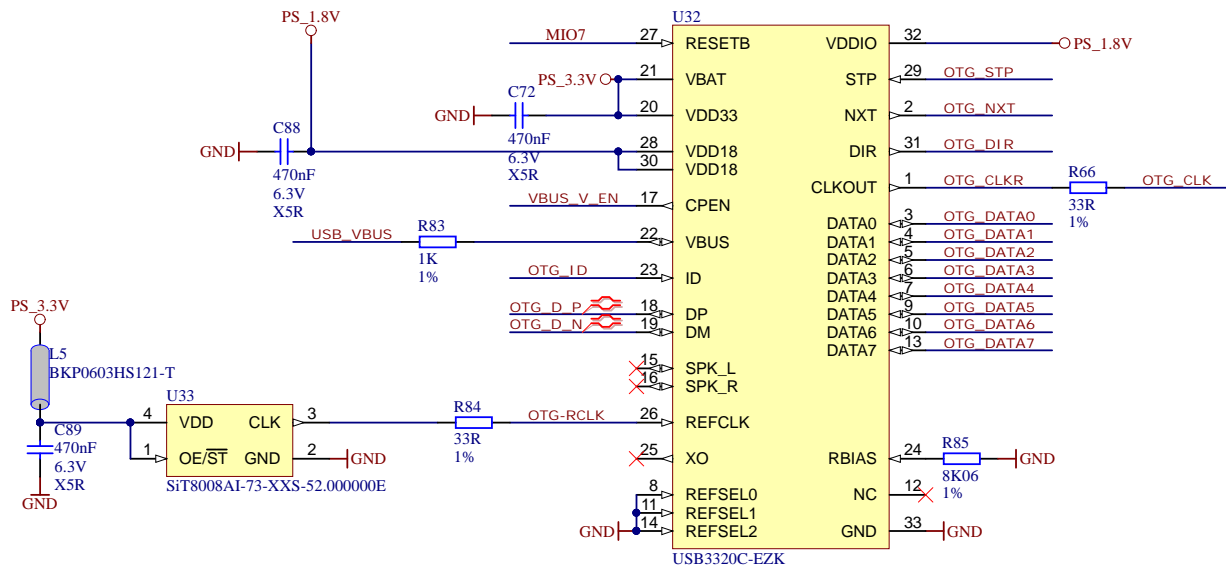
B

C

C

D

D



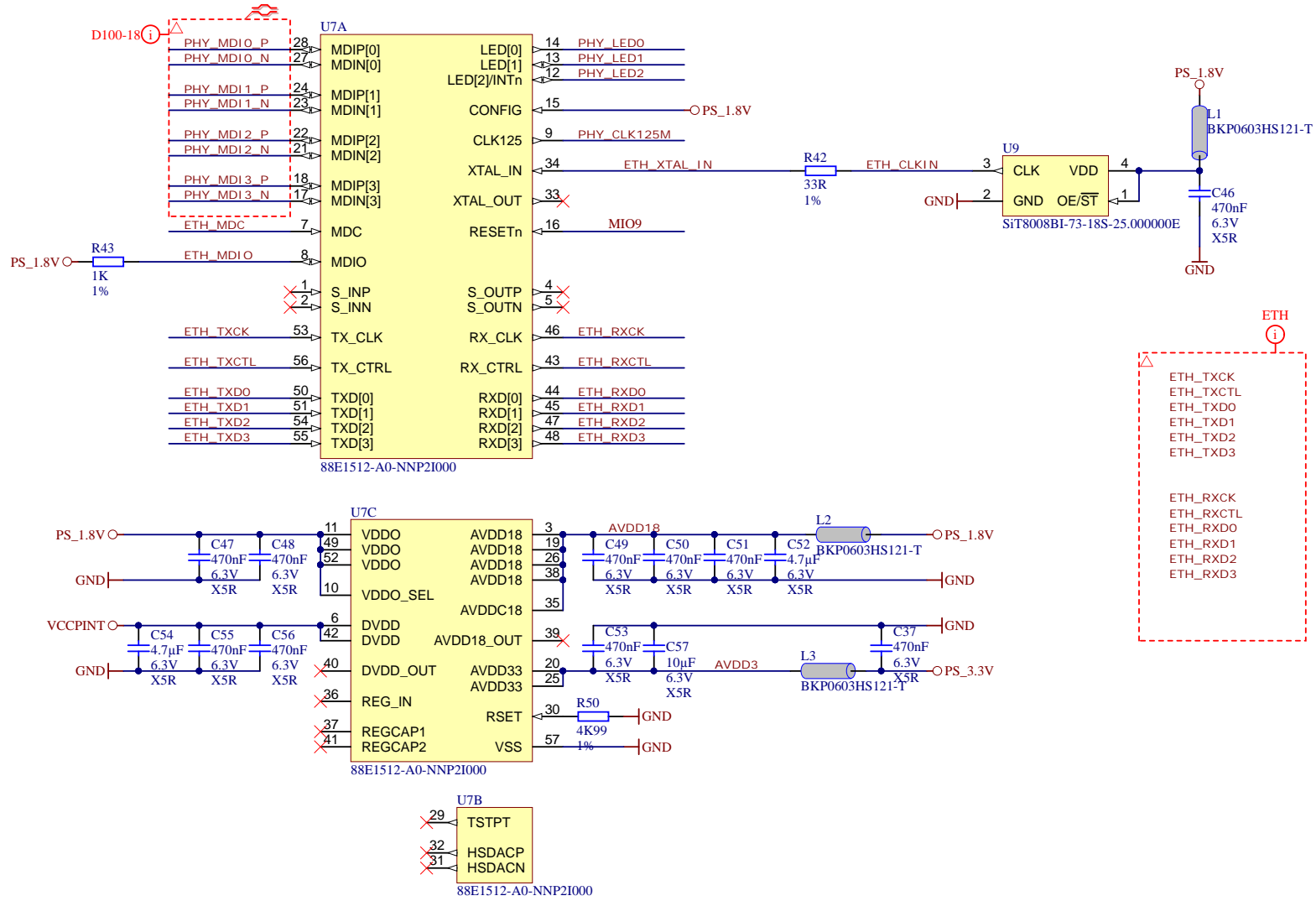
| | | | |
|--------------------------|--|---------------------------------------|---------------------|
| | | Title: TE0745 - USB_PHY | |
| | | A4 | Number: 18 45-3E |
| Date: 2016-04-28 | | Copyright: Trenz Electronic GmbH / TT | |
| Filename: USB-PHY.SchDoc | | Page18 of 25 | |

1

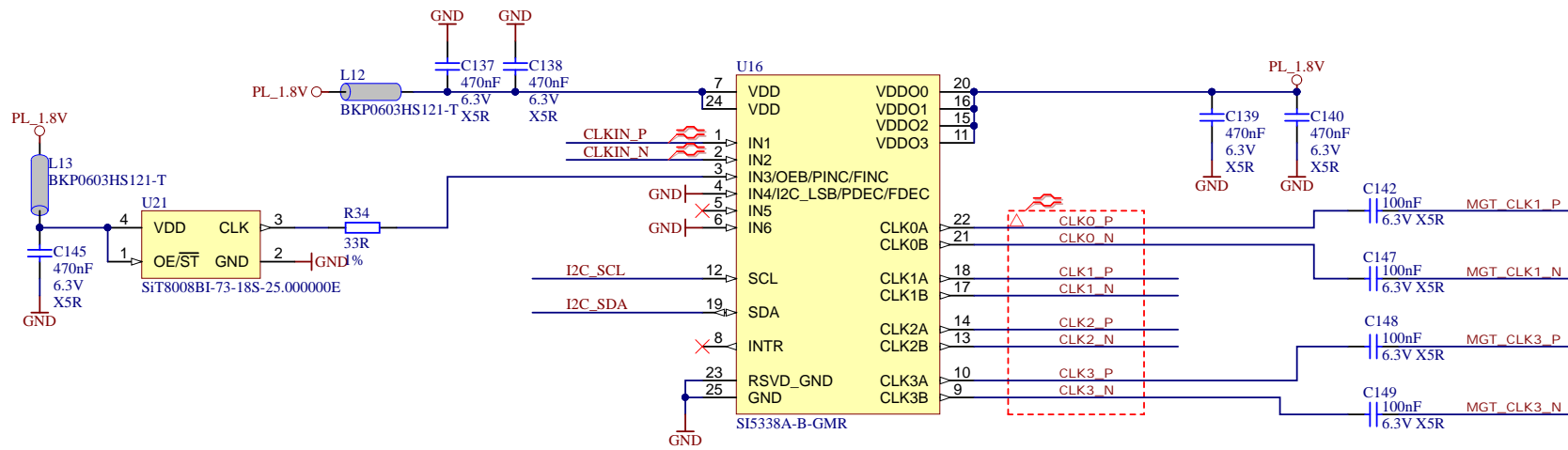
2

3

4

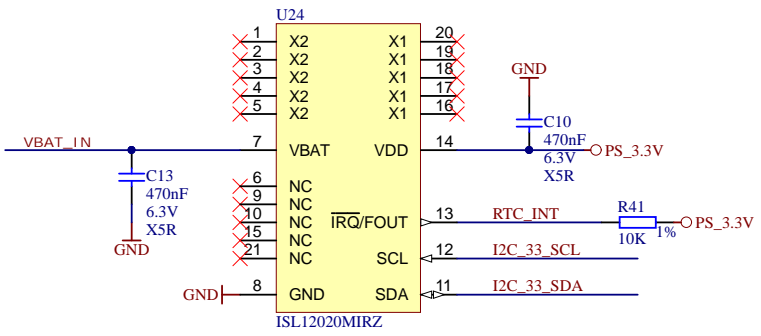


| | | |
|--------------------------|---------------------------------------|---------------|
| Title: TE0745 - ETH_PHY | | |
| A4 | Number: 19 45-3E | Rev. 02 |
| Date: 2016-04-28 | Copyright: Trenz Electronic GmbH / TT | Page 19 of 25 |
| Filename: ETH-PHY.SchDoc | | |

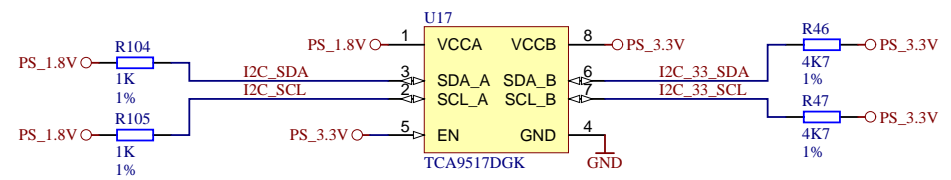



Slave ADDR:
1110000 OR 1110001

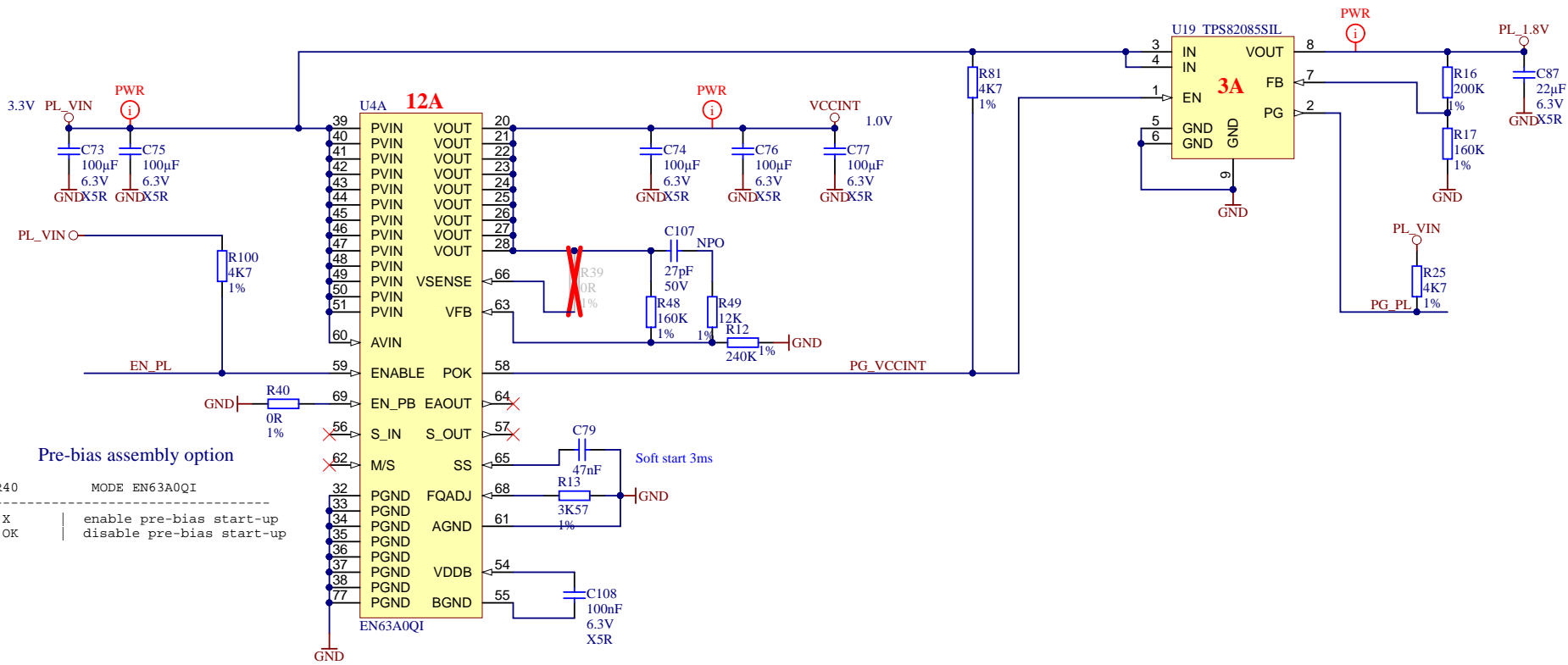
| | | | |
|--|----------------------|---------------------------------------|--------------|
| | Title: TE0745 - CLK | | |
| | A4 | Number: 20 45-3E | Rev. 02 |
| | Date: 2016-04-28 | Copyright: Trenz Electronic GmbH / TT | Page20 of 25 |
| | Filename: CLK.SchDoc | | |



Slave ADDR:
 for RTC registers: 1101111
 for User SRAM: 1010111



| | | | |
|---|--|---------------------------------------|---------------------|
|  | | Title: TE0745 - RTC | |
| | | A4 | Number: 21 45-3E |
| Date: 2016-04-28 | | Copyright: Trenz Electronic GmbH / TT | |
| Filename: SENSOR-RTC.SchDoc | | Page21 of 25 | |



Pre-bias assembly option

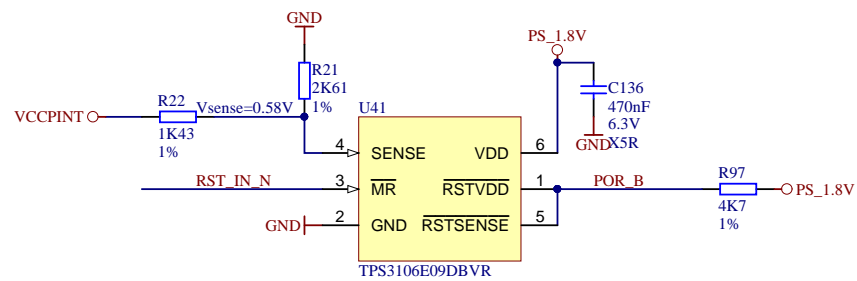
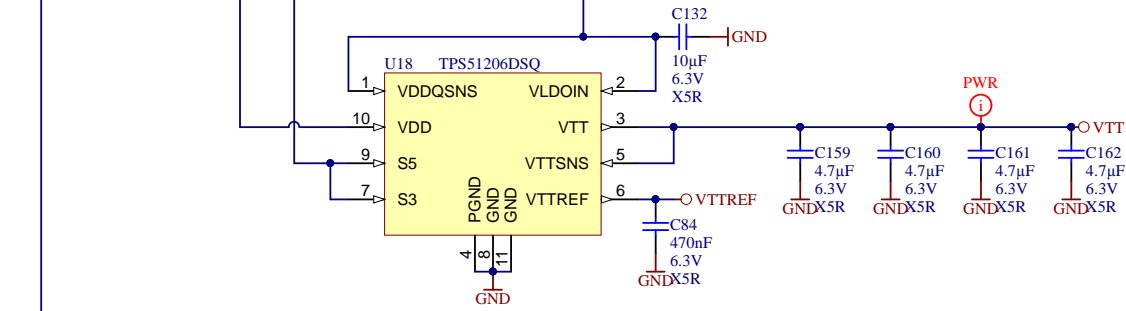
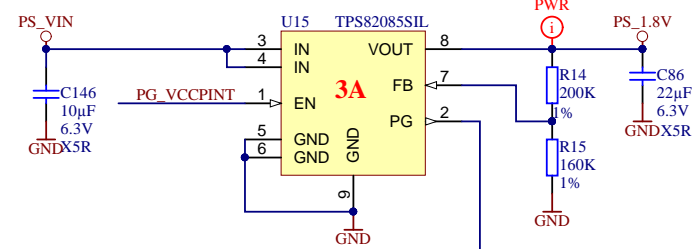
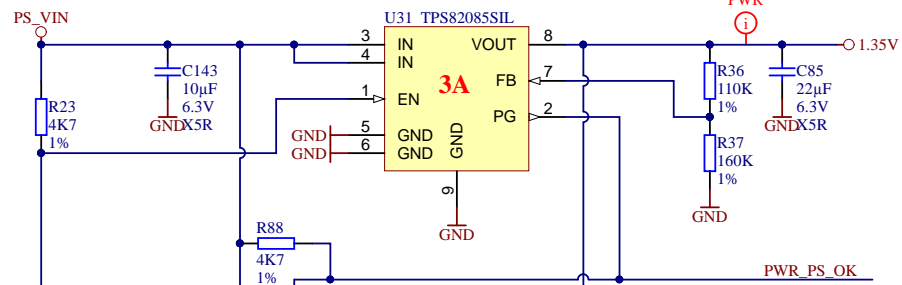
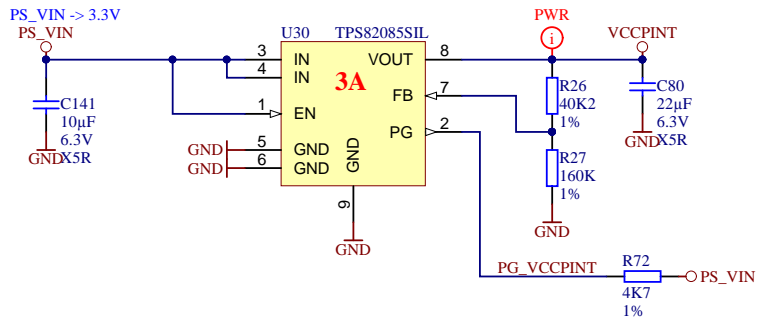
R39 R40 MODE EN63A0QI

 OK X enable pre-bias start-up
 X OK disable pre-bias start-up

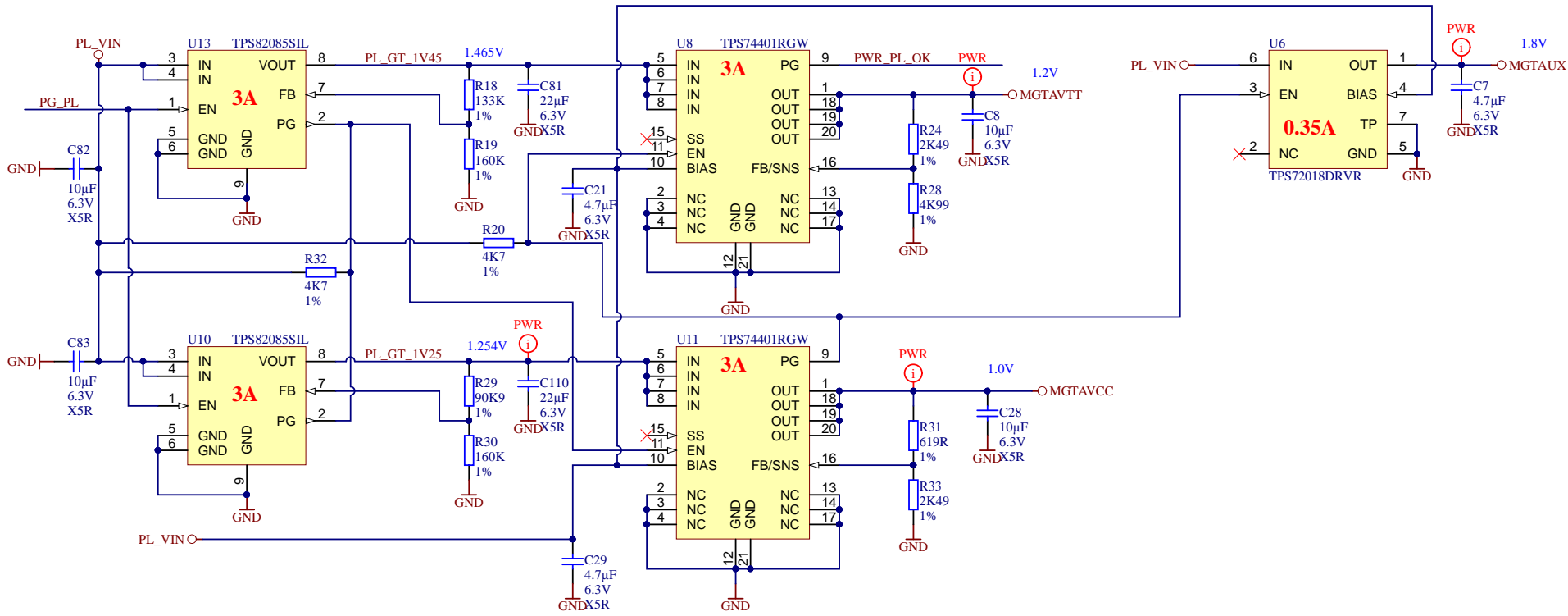
| U4B | | | |
|---------------|----|--------|---------------|
| 1 | NC | NC | 17 |
| 2 | NC | NC | 18 |
| 3 | NC | NC | 19 |
| 4 | NC | NC | 29 |
| 5 | NC | NC | 30 |
| 6 | NC | NC(SW) | 31 |
| 7 | NC | NC(SW) | 52 |
| 8 | NC | NC | 53 |
| 9 | NC | NC | 67 |
| 10 | NC | NC(SW) | 70 |
| 11 | NC | NC(SW) | 71 |
| 12 | NC | NC(SW) | 72 |
| 13 | NC | NC | 73 |
| 14 | NC | NC | 74 |
| 15 | NC | NC | 75 |
| 16 | NC | NC | 76 |


EN63A0QI

| | | | |
|--|-------------------------------|---------------------------------------|----------------|
| | Title: TE0745 - Power | | |
| | A4 | Number: 22 45-3E | Rev. 02 |
| | Date: 2016-04-28 | Copyright: Trenz Electronic GmbH / TT | Page22 of 25 |
| | Filename: POWER.SchDoc | | |



| | | |
|--------------------------|---------------------------------------|---------------|
| Title: TE0745 - Power2 | | |
| A4 | Number: 23 45-3E | Rev. 02 |
| Date: 2016-04-28 | Copyright: Trenz Electronic GmbH / TT | Page 23 of 25 |
| Filename: POWER_2.SchDoc | | |



| | | |
|---|--------------------------|---------------------------------------|
|  | Title: TE0745 - Power3 | |
| | A4 | Number: 24 45-3E |
| | Date: 2016-04-28 | Copyright: Trenz Electronic GmbH / TT |
| | Filename: POWER_3.SchDoc | Page24 of 25 |

1
1
1
1

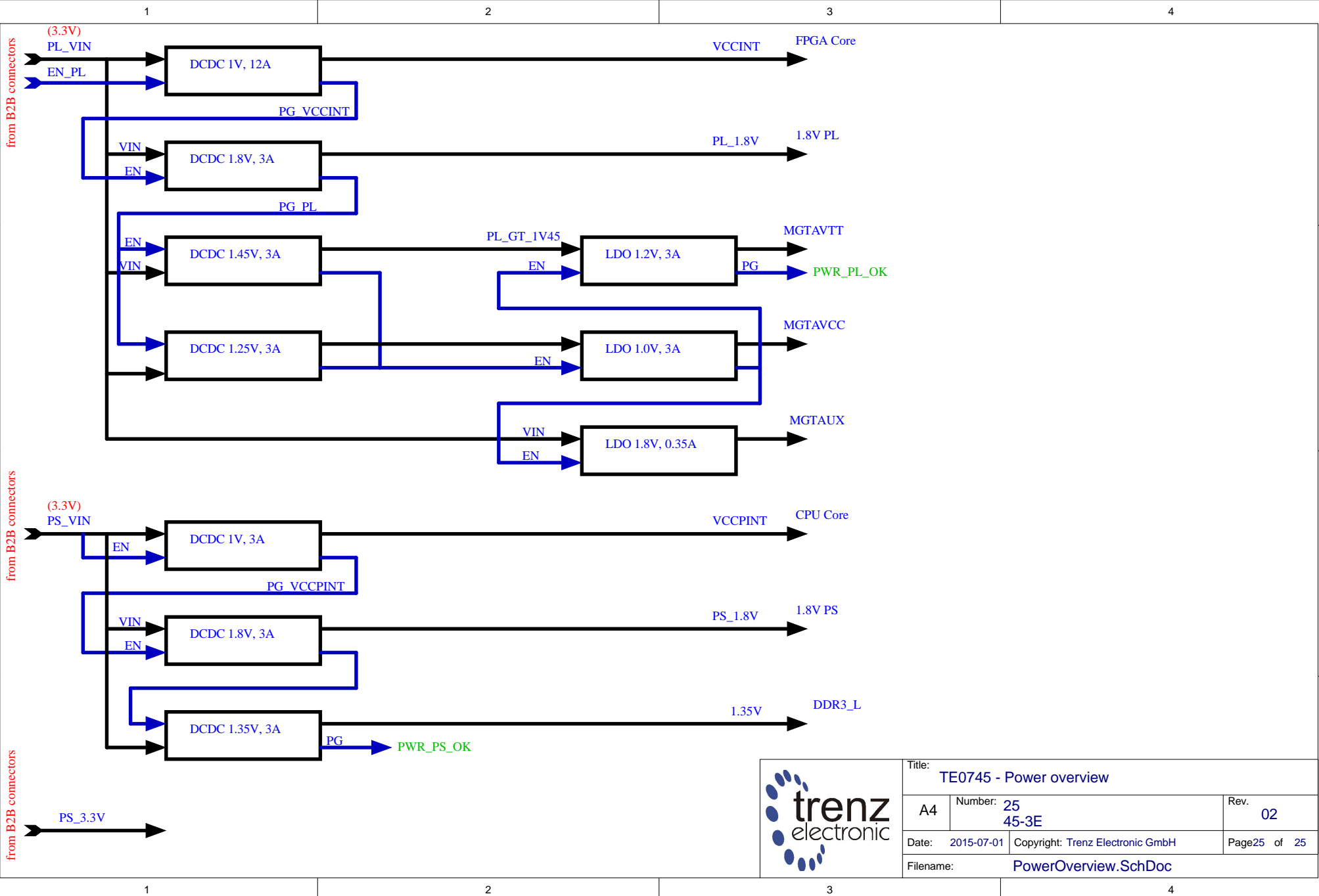
2
2
2
2

3
3
3
3

4
4
4
4

A
B
C
D

A
B
C
D



| | | |
|--------------------------------|----------------------------------|---------------|
| Title: TE0745 - Power overview | | |
| A4 | Number: 25 45-3E | Rev. 02 |
| Date: 2015-07-01 | Copyright: Trenz Electronic GmbH | |
| Filename: PowerOverview.SchDoc | | Page 25 of 25 |