

1

2

3

4

CHANGES REV01 to REV02

- 1) MAC EEPROM Address patch fixed on PCB
- 2) lib components update

A

A

B


B

C

C

D

D

		Title: TE0745	
		A4	Number: 1 45-3EA
Date: 2016-04-28		Copyright: Trenz Electronic GmbH / TT	
Filename:		Revision Changes.SchDoc	
Page 1 of 25			

1

2

3

4

U_J1
J1.SchDoc

U_J2
J2.SchDoc

U_J3
J3.SchDoc

U_ZYNQ
ZYNQ.SchDoc

U_POWER
POWER.SchDoc

U_POWER_2
POWER_2.SchDoc

U_RTC
SENSOR-RTC.SchDoc

U_POWER_3
POWER_3.SchDoc

U_CLK
CLK.SchDoc

U_DDR3
DDR3-RAM.SchDoc

U_ETH_PHY
ETH-PHY.SchDoc

U_USB_PHY
USB-PHY.SchDoc

U_PowerOverview
PowerOverview.SchDoc

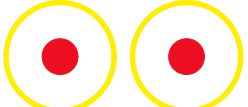
U_Revision Changes
Revision Changes.SchDoc

LOGO1
TE Logo PRINT Layer
LOGO PRINT

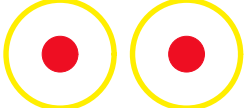
FIDU-DOT - small



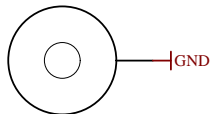
PM1 PM2
FIDU-DOT - small



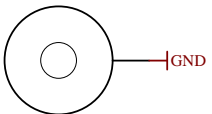
PM3 PM4
FIDU-DOT - small



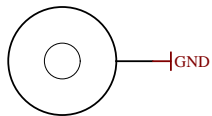
PM5 PM6



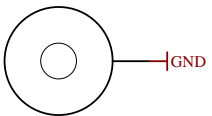
Mount.Hole 3.2mm für Unterlegscheibe



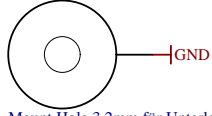
Mount.Hole 3.2mm für Unterlegscheibe



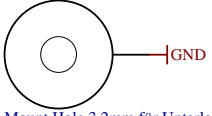
Mount.Hole 3.2mm für Unterlegscheibe



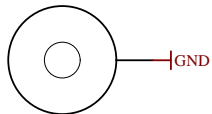
Mount.Hole 3.2mm für Unterlegscheibe



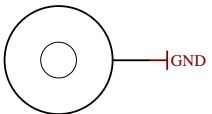
Mount.Hole 3.2mm für Unterlegscheibe



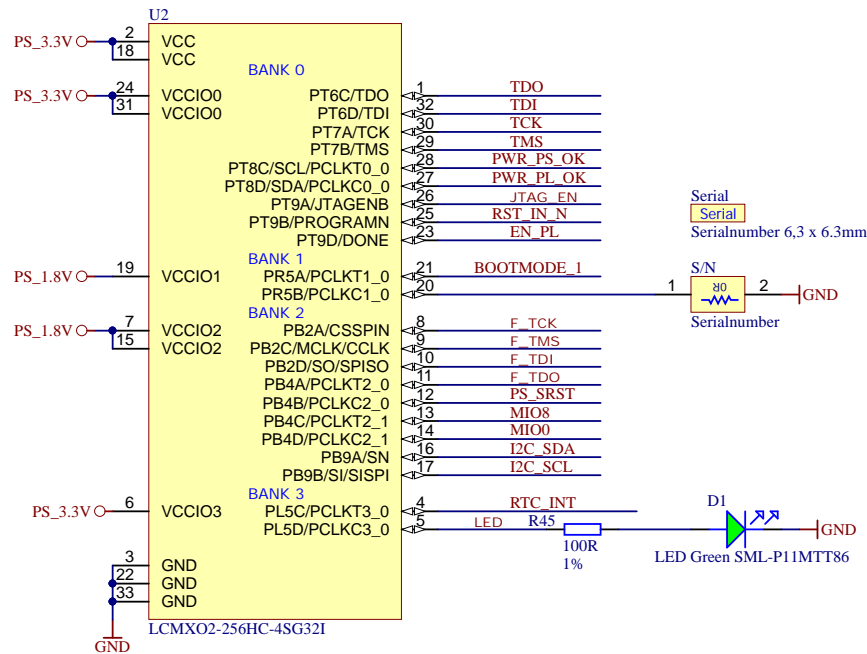
Mount.Hole 3.2mm für Unterlegscheibe



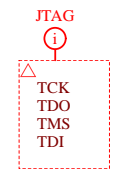
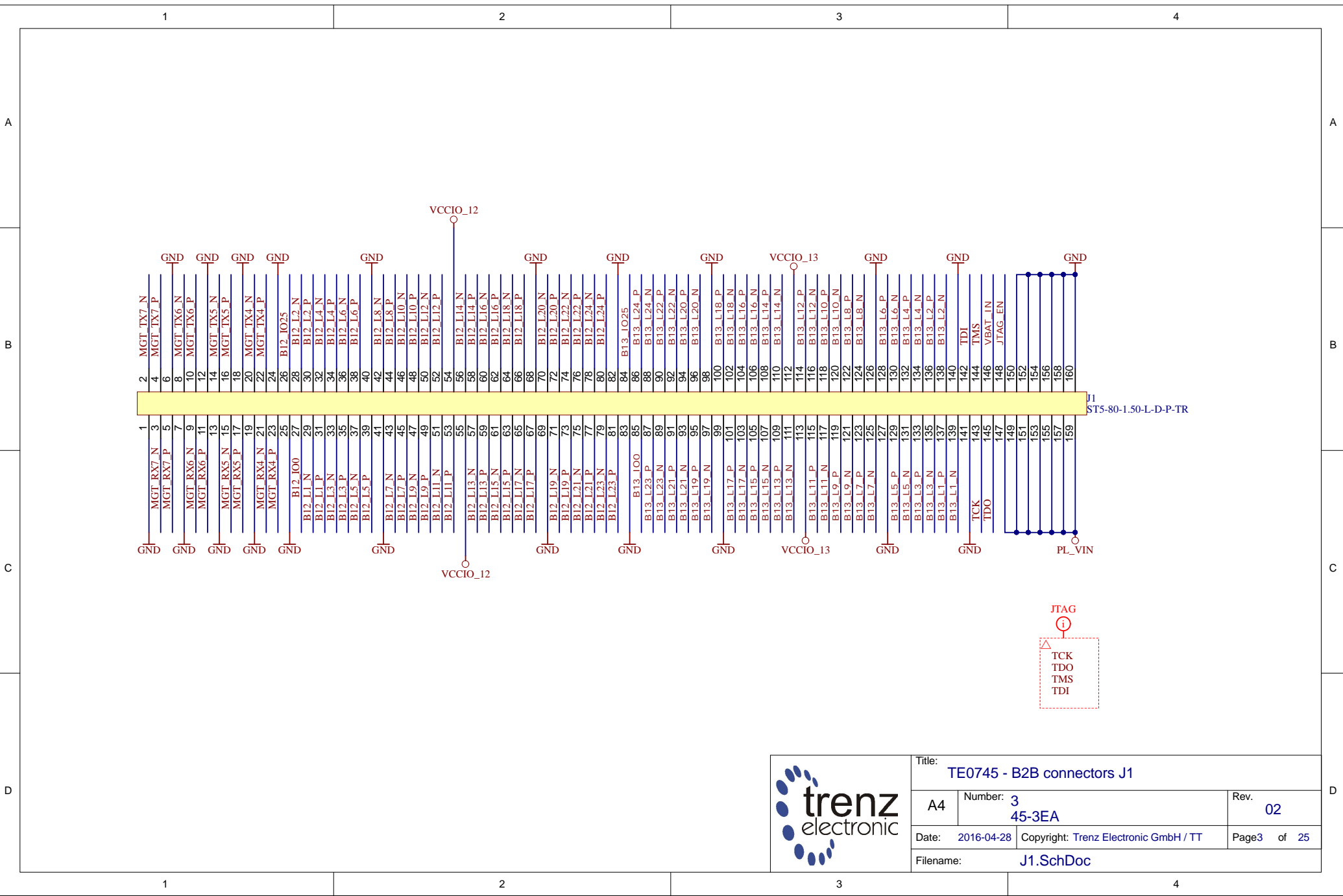
Mount.Hole 3.2mm für Unterlegscheibe



Mount.Hole 3.2mm für Unterlegscheibe



Title: TE0745		
A4	Number: 2 45-3EA	Rev. 02
Date: 2016-04-28	Copyright: Trenz Electronic GmbH / TT	Page2 of 25
Filename: TE0745.SchDoc		

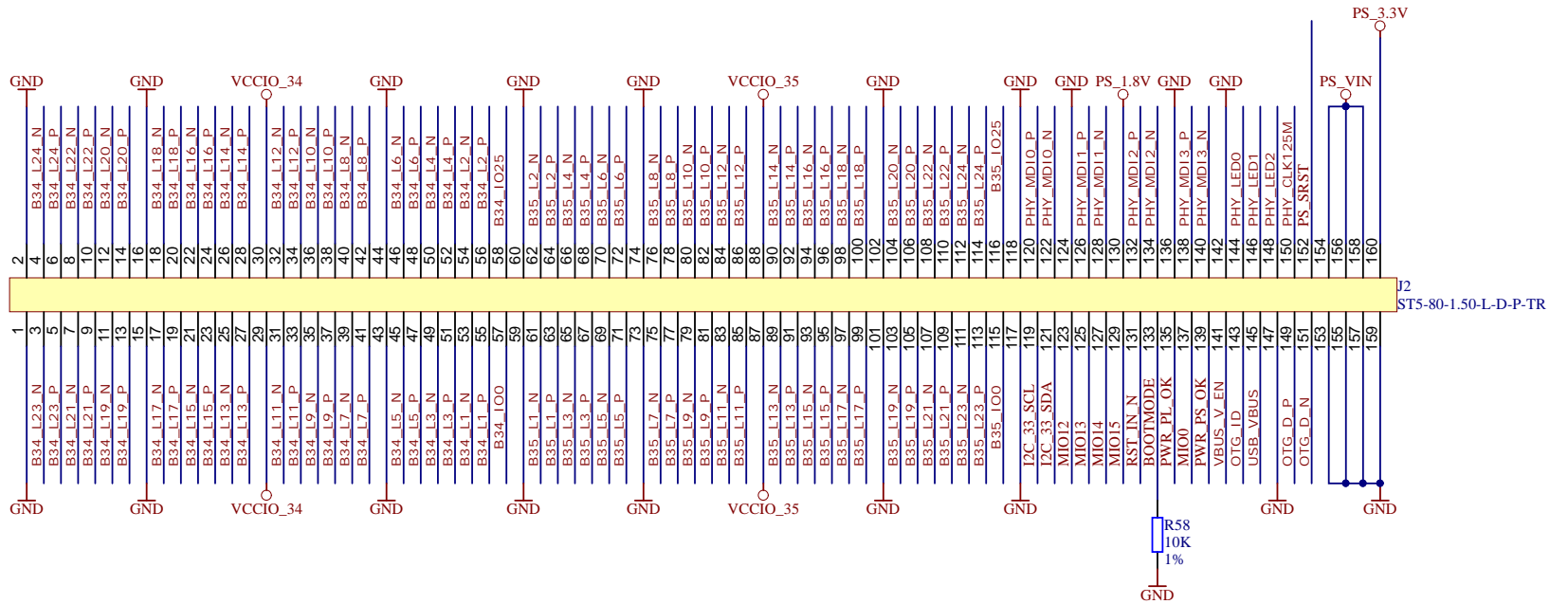


		Title: TE0745 - B2B connectors J1	
		A4	Number: 3 45-3EA
Date: 2016-04-28	Copyright: Trenz Electronic GmbH / TT	Rev. 02	
Filename: J1.SchDoc		Page3	of 25

ETH_MDI

i

PHY_MDI1_P
 PHY_MDI1_A
 PHY_MDI3_P
 PHY_MDI3_N
 PHY_MDI0_P
 PHY_MDI0_N
 PHY_MDI2_P
 PHY_MDI2_N



Title: TE0745 - B2B connectors J2		
A4	Number: 4 45-3EA	Rev. 02
Date: 2016-04-28	Copyright: Trenz Electronic GmbH / TT	Page4 of 25
Filename: J2.SchDoc		

1

2

3

4

A

A

B

B

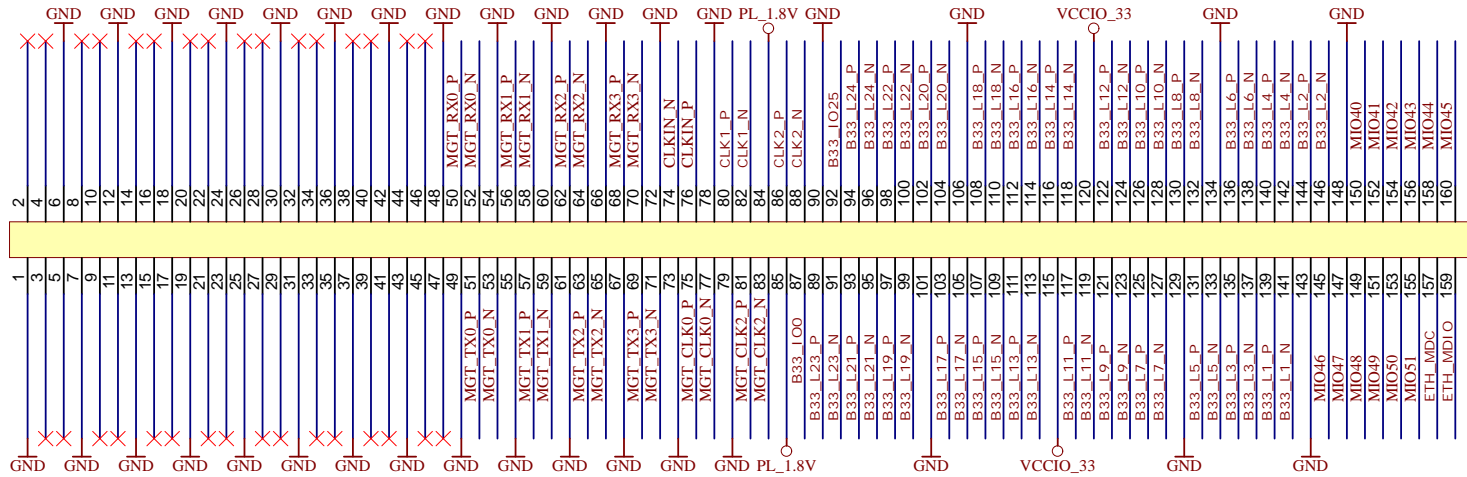
C

C

D

D

RESERVED for additional 8 GTX lanes



J3
ST5-80-1.50-L-D-P-TR

	Title: TE0745 - B2B connectors J3	
	A4	Number: 5 45-3EA
	Date: 2016-04-28	Copyright: Trenz Electronic GmbH / TT
	Filename: J3.SchDoc	
	Rev. 02	Page5 of 25

1

2

3

4

1

2

3

4

U_B12
B12.SchDoc



U_B500
MIO_B500.SchDoc



U_B13
B13.SchDoc



U_PS_DDR
PS-DDR.SchDoc



U_B33
B33.SchDoc



U_MISC
ZYNQ_MISC.SchDoc



U_B34
B34.SchDoc



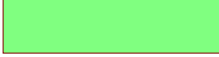
U_ZYNQ_POWER
ZYNQ_POWER.SchDoc



U_B35
B35.SchDoc



U_FPGA_MGT
FPGA_MGT.SchDoc



1

2

3

4

A

A

B

B

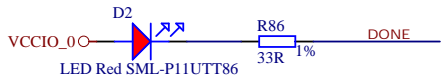
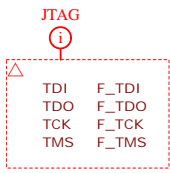
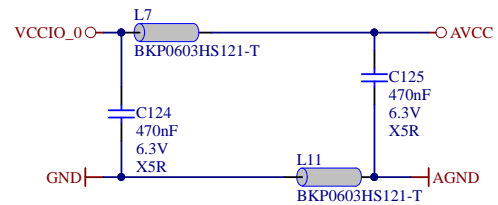
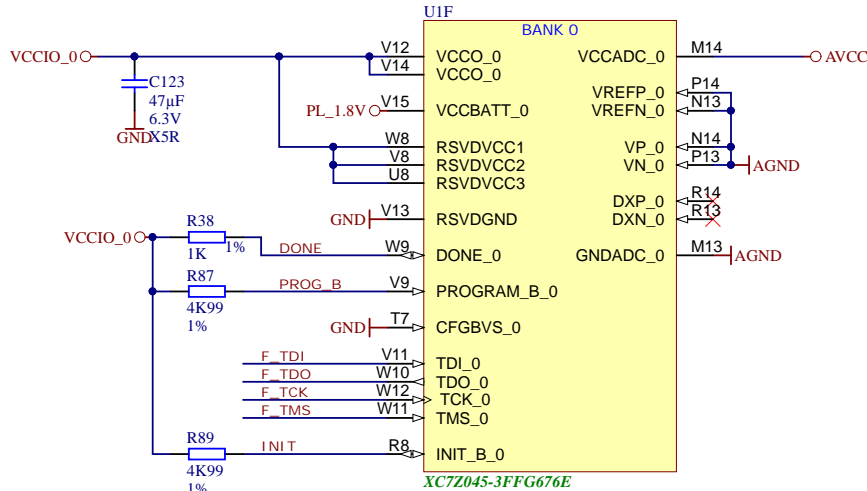
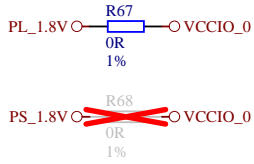
C

C

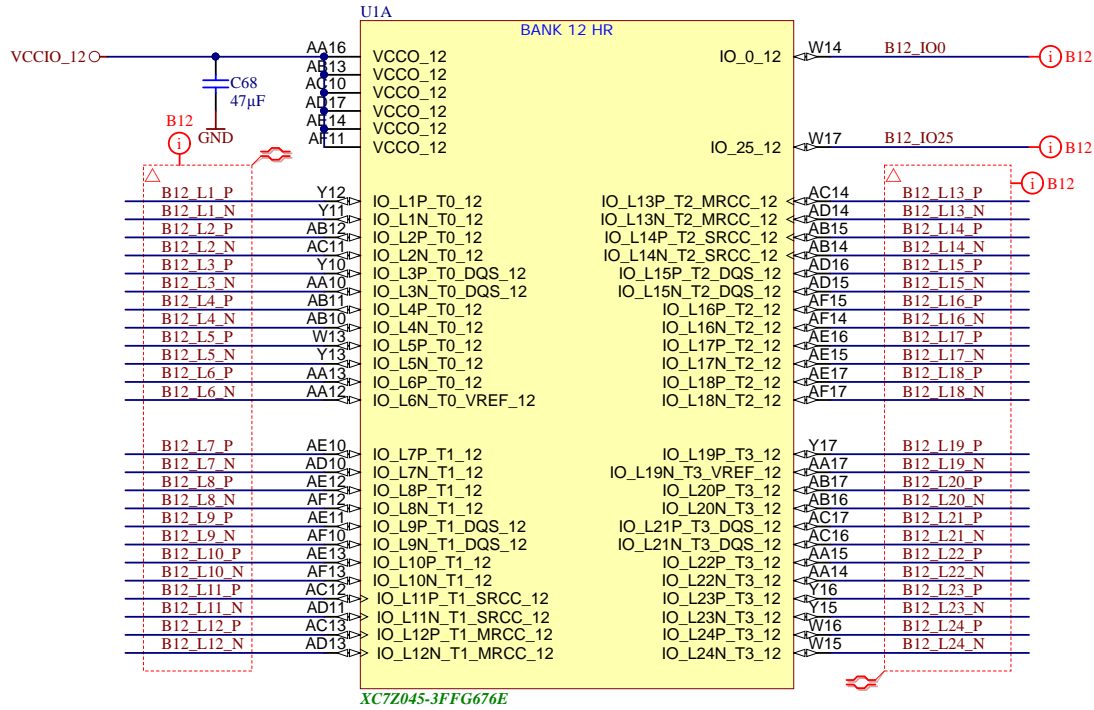
D

D

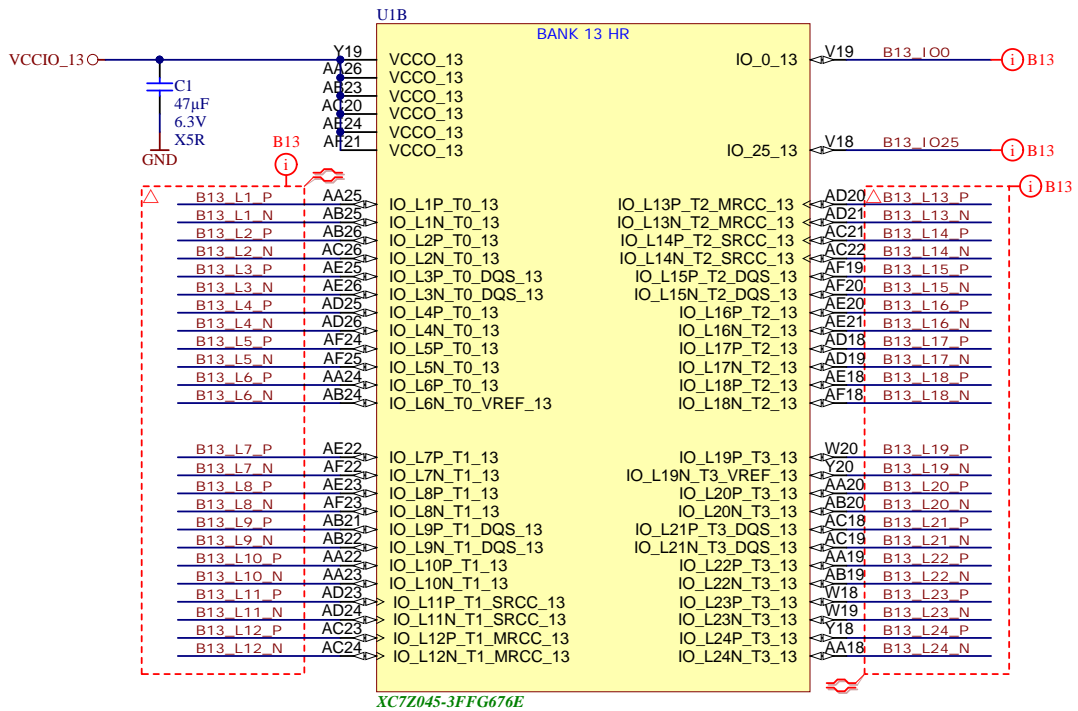
		Title: TE0745 - Zynq	
		A4	Number: 6 45-3EA
Date: 2016-04-28		Copyright: Trenz Electronic GmbH / TT	
Filename: ZYNQ.SchDoc		Page6 of 25	



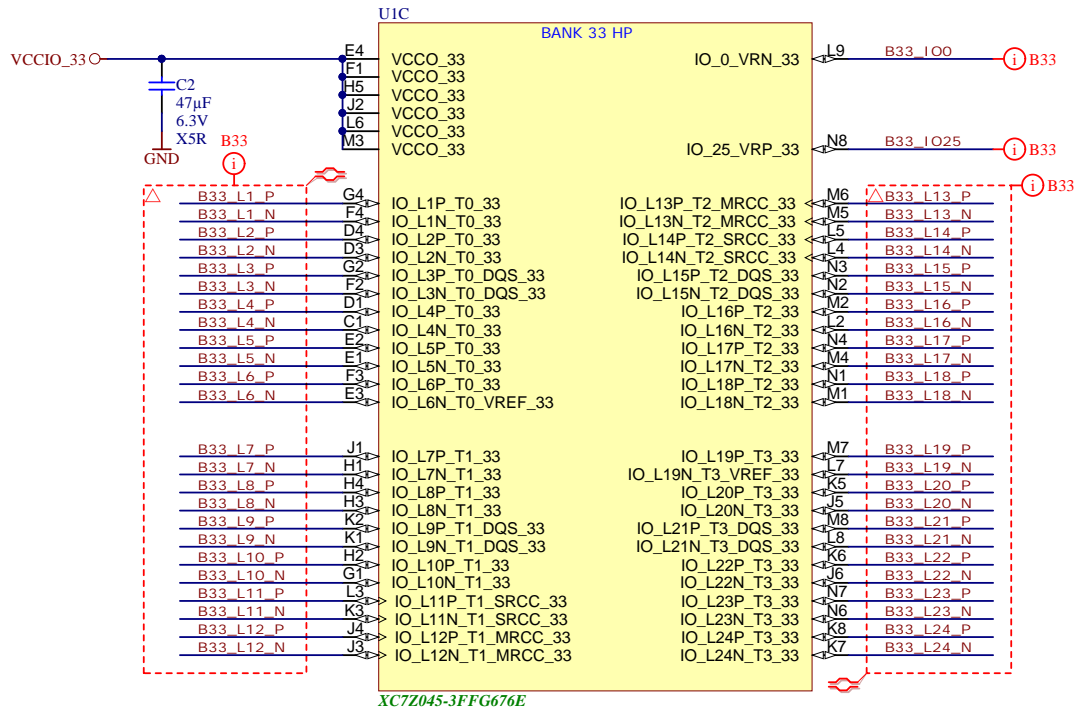
Title: TE0745 - Zynq_MISC		
A4	Number: 7 45-3EA	Rev. 02
Date: 2016-04-28	Copyright: Trenz Electronic GmbH / TT	Page 7 of 25
Filename: ZYNQ_MISC.SchDoc		



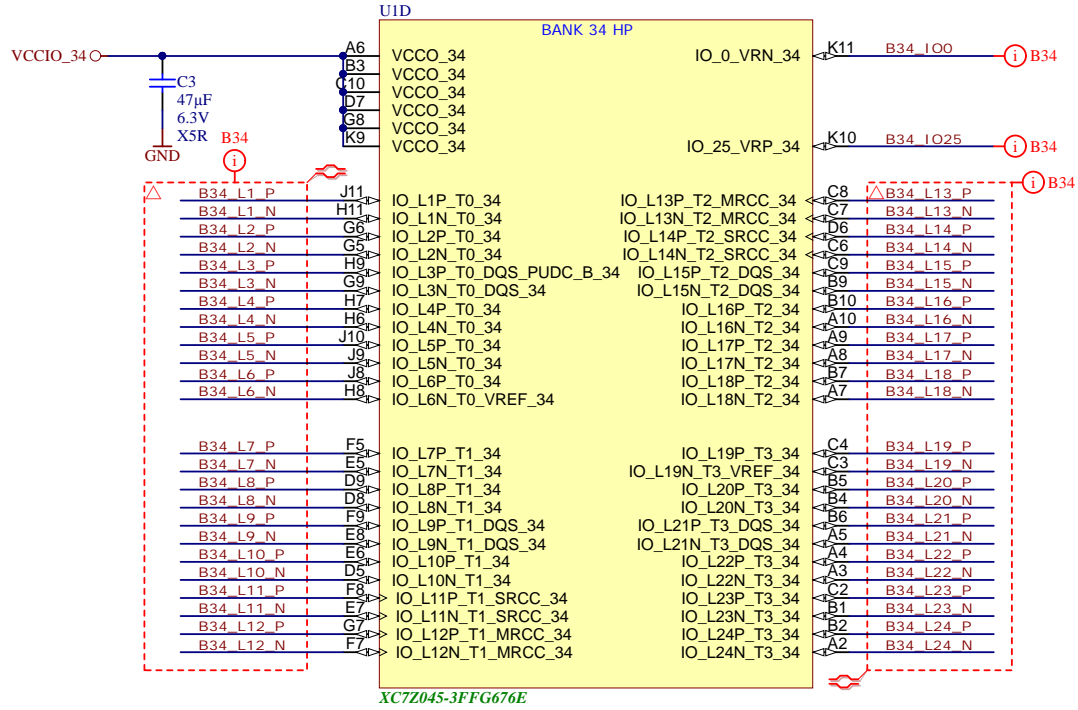
	Title: TE0745 - Zynq_B12		
	A4	Number: 8 45-3EA	Rev. 02
	Date: 2016-04-28	Copyright: Trenz Electronic GmbH / TT	Page8 of 25
	Filename: B12.SchDoc		



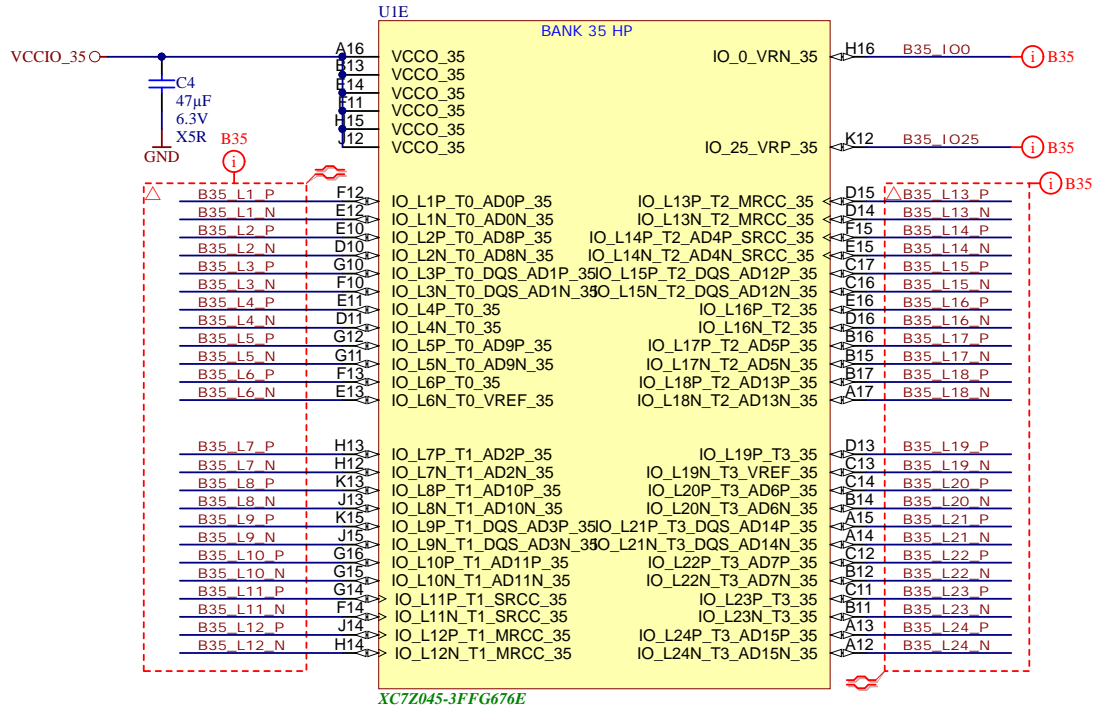
Title: TE0745 - Zynq_B13		
A4	Number: 9 45-3EA	Rev. 02
Date: 2016-04-28	Copyright: Trenz Electronic GmbH / TT	Page9 of 25
Filename: B13.SchDoc		



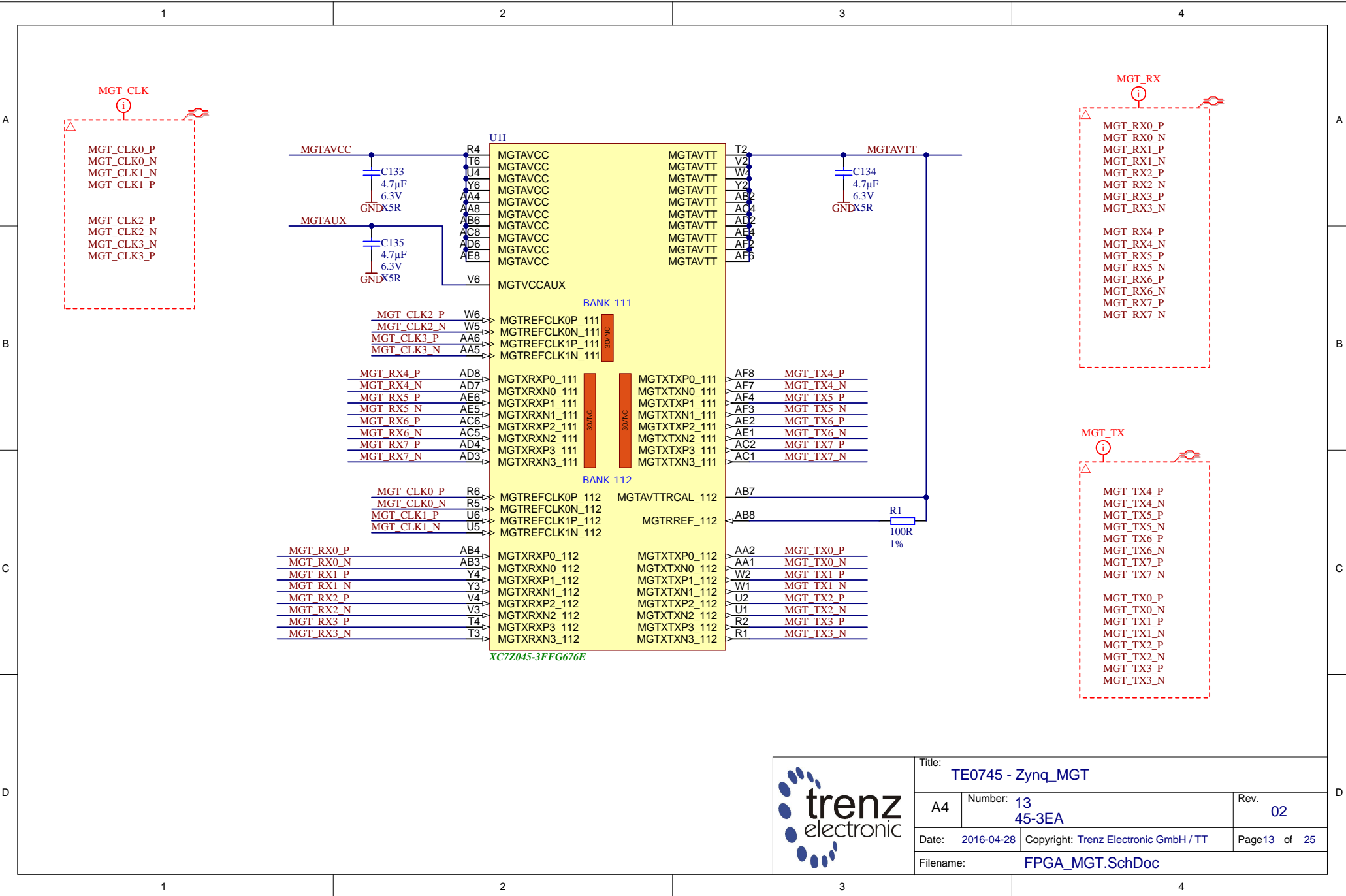
	Title: TE0745 - Zynq_B33		
	A4	Number: 10 45-3EA	Rev. 02
	Date: 2016-04-28	Copyright: Trenz Electronic GmbH / TT	Page 10 of 25
	Filename: B33.SchDoc		



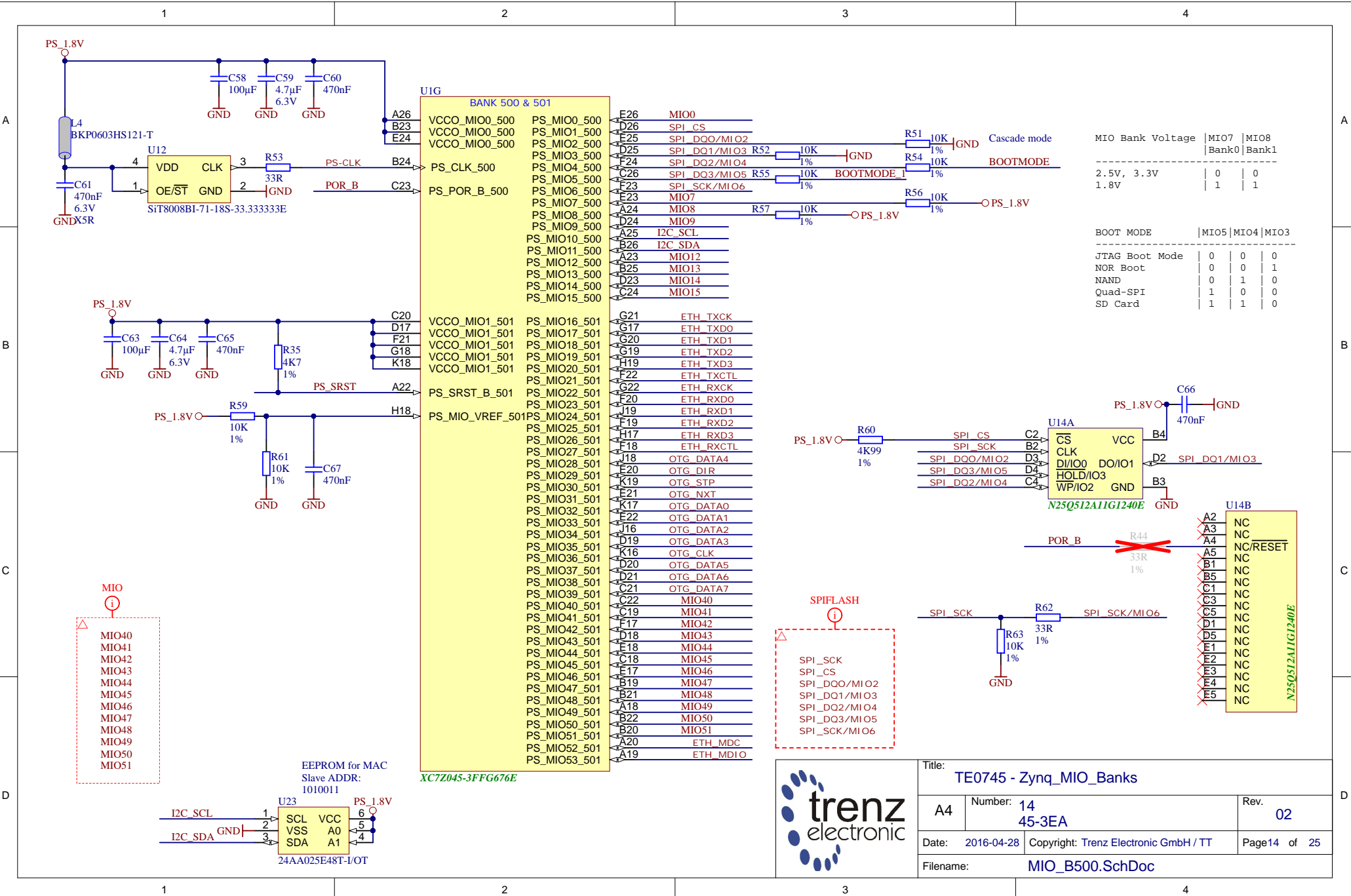
Title: TE0745 - Zynq_B34		
A4	Number: 11 45-3EA	Rev. 02
Date: 2016-04-28	Copyright: Trenz Electronic GmbH / TT	Page 11 of 25
Filename: B34.SchDoc		



Title: TE0745 - Zynq_B35		
A4	Number: 12 45-3EA	Rev. 02
Date: 2016-04-28	Copyright: Trenz Electronic GmbH / TT	Page 12 of 25
Filename: B35.SchDoc		



Title: TE0745 - Zynq_MGT		
A4	Number: 13 45-3EA	Rev. 02
Date: 2016-04-28	Copyright: Trenz Electronic GmbH / TT	Page13 of 25
Filename: FPGA_MGT.SchDoc		

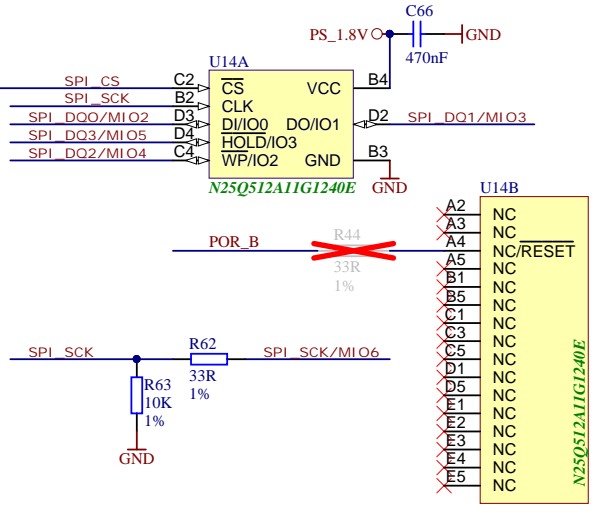
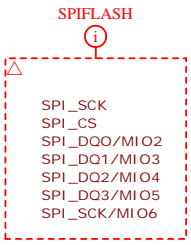


BANK 500 & 501

A26	VCCO_MIO0_500	PS_MIO0_500	E26	MIO0
B23	VCCO_MIO0_500	PS_MIO1_500	D26	SPI_CS
E24	VCCO_MIO0_500	PS_MIO2_500	E25	SPI_DQ0/MIO2
		PS_MIO3_500	D25	SPI_DQ1/MIO3
		PS_MIO4_500	F24	SPI_DQ2/MIO4
		PS_MIO5_500	C26	SPI_DQ3/MIO5
		PS_MIO6_500	F23	SPI_SCK/MIO6
		PS_MIO7_500	E23	MIO7
		PS_MIO8_500	A24	MIO8
		PS_MIO9_500	D24	MIO9
		PS_MIO10_500	A25	I2C_SCL
		PS_MIO11_500	B26	I2C_SDA
		PS_MIO12_500	A23	MIO12
		PS_MIO13_500	B25	MIO13
		PS_MIO14_500	D23	MIO14
		PS_MIO15_500	C24	MIO15
			G21	ETH_TXCK
			G17	ETH_TXD0
			G20	ETH_TXD1
			G19	ETH_TXD2
			H19	ETH_TXD3
			F22	ETH_TXCTL
			G22	ETH_RXCK
			E20	ETH_RXD0
			H19	ETH_RXD1
			F19	ETH_RXD2
			H17	ETH_RXD3
			F18	ETH_RXCTL
			J18	OTG_DATA4
			E20	OTG_DIR
			K19	OTG_STP
			E21	OTG_NXT
			K17	OTG_DATA0
			E22	OTG_DATA1
			J16	OTG_DATA2
			D19	OTG_DATA3
			K16	OTG_CLK
			D20	OTG_DATA5
			D21	OTG_DATA6
			C21	OTG_DATA7
			C22	MIO40
			C19	MIO41
			F17	MIO42
			D18	MIO43
			E18	MIO44
			C18	MIO45
			E17	MIO46
			B19	MIO47
			B21	MIO48
			A18	MIO49
			B22	MIO50
			B20	MIO51
			A20	ETH_MDC
			A19	ETH_MDIO

MIO Bank Voltage	MIO7	MIO8
	Bank0	Bank1
2.5V, 3.3V	0	0
1.8V	1	1

BOOT MODE	MIO5	MIO4	MIO3
JTAG Boot Mode	0	0	0
NOR Boot	0	0	1
NAND	0	1	0
Quad-SPI	1	0	0
SD Card	1	1	0



Title: **TE0745 - Zynq_MIO_Banks**

A4	Number: 14 45-3EA	Rev. 02
Date: 2016-04-28	Copyright: Trenz Electronic GmbH / TT	Page 14 of 25
Filename:	MIO_B500.SchDoc	



1

2

3

4

A

A

B

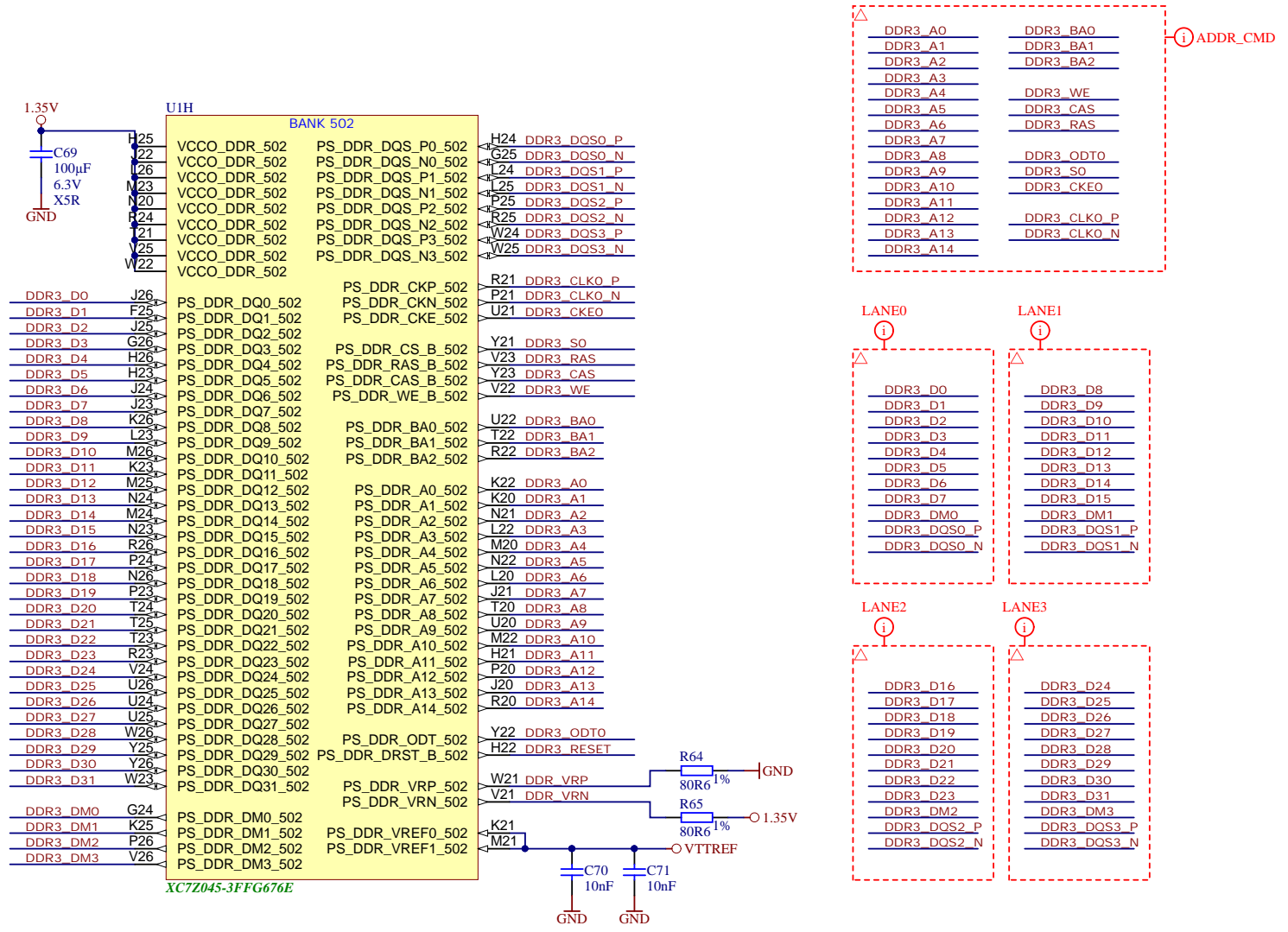
B

C

C

D

D



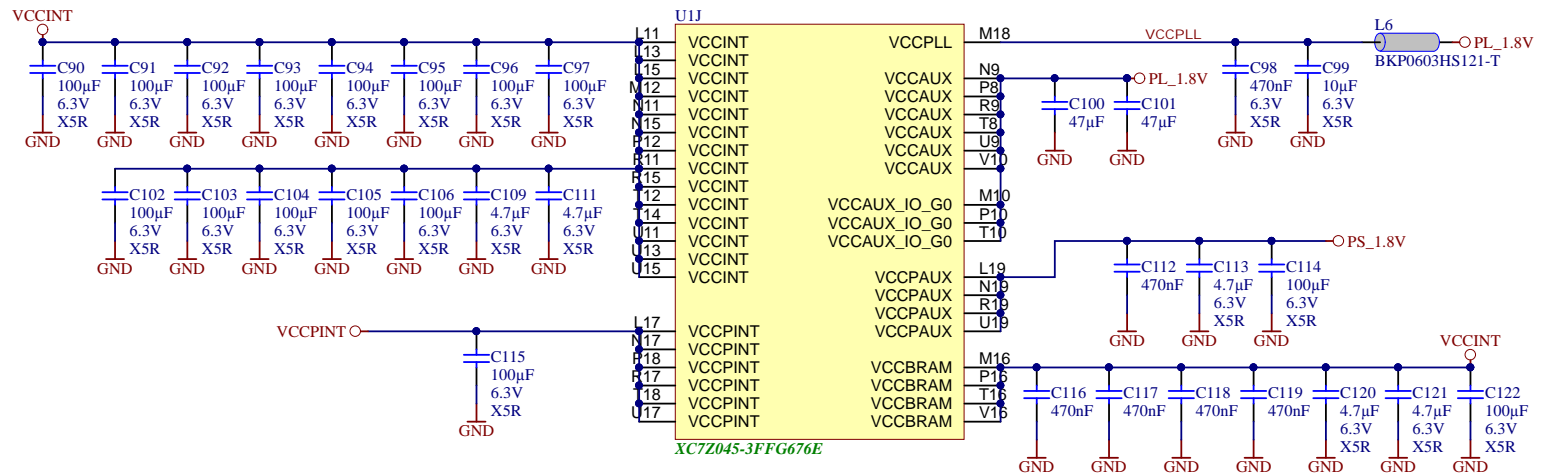
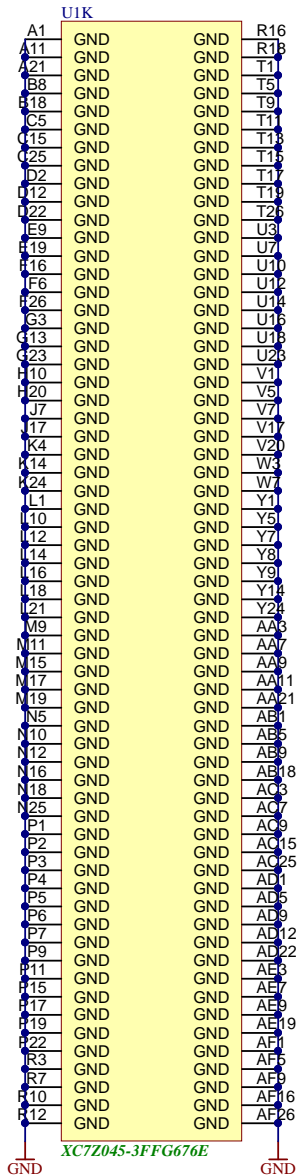
	Title: TE0745 - Zynq_PS_DDR	
	A4	Number: 15 45-3EA
	Date: 2016-04-28	Copyright: Trenz Electronic GmbH / TT
	Rev. 02	Page 15 of 25
Filename: PS-DDR.SchDoc		

1

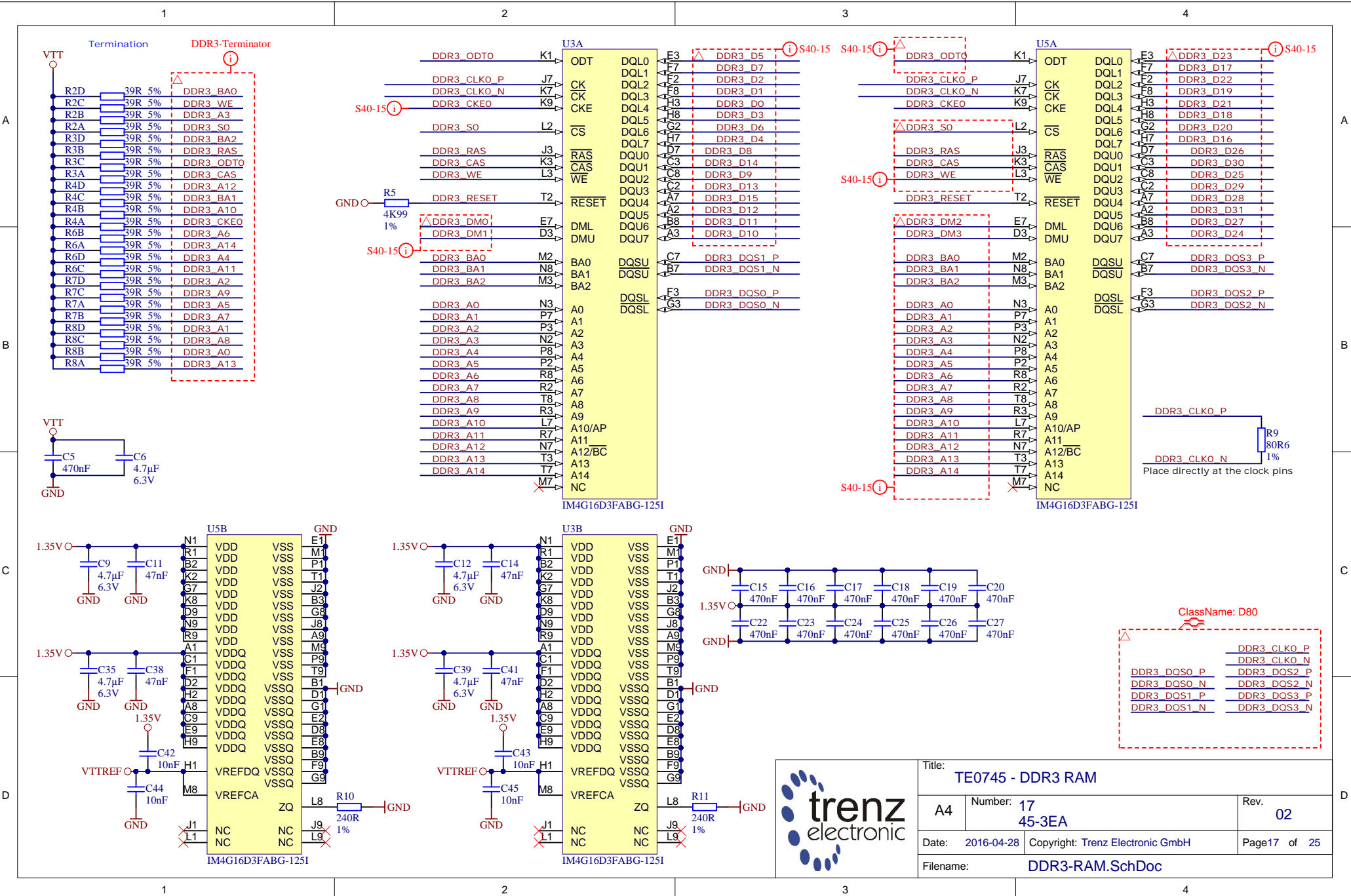
2

3

4



Title: TE0745 - Zynq_Power		
A4	Number: 16 45-3EA	Rev. 02
Date: 2016-04-28	Copyright: Trenz Electronic GmbH / TT	Page 16 of 25
Filename: ZYNC_POWER.SchDoc		



1

2

3

4

A

A

B

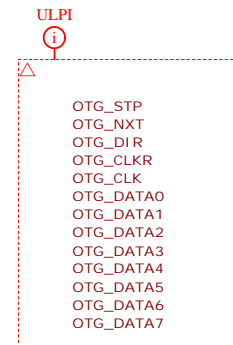
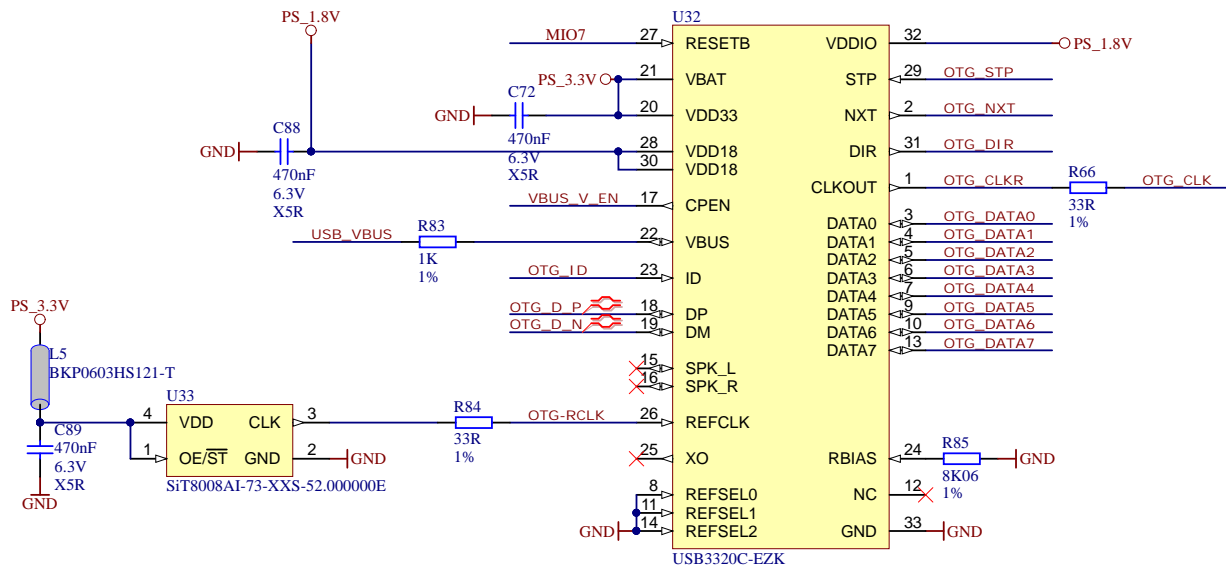
B

C

C

D

D



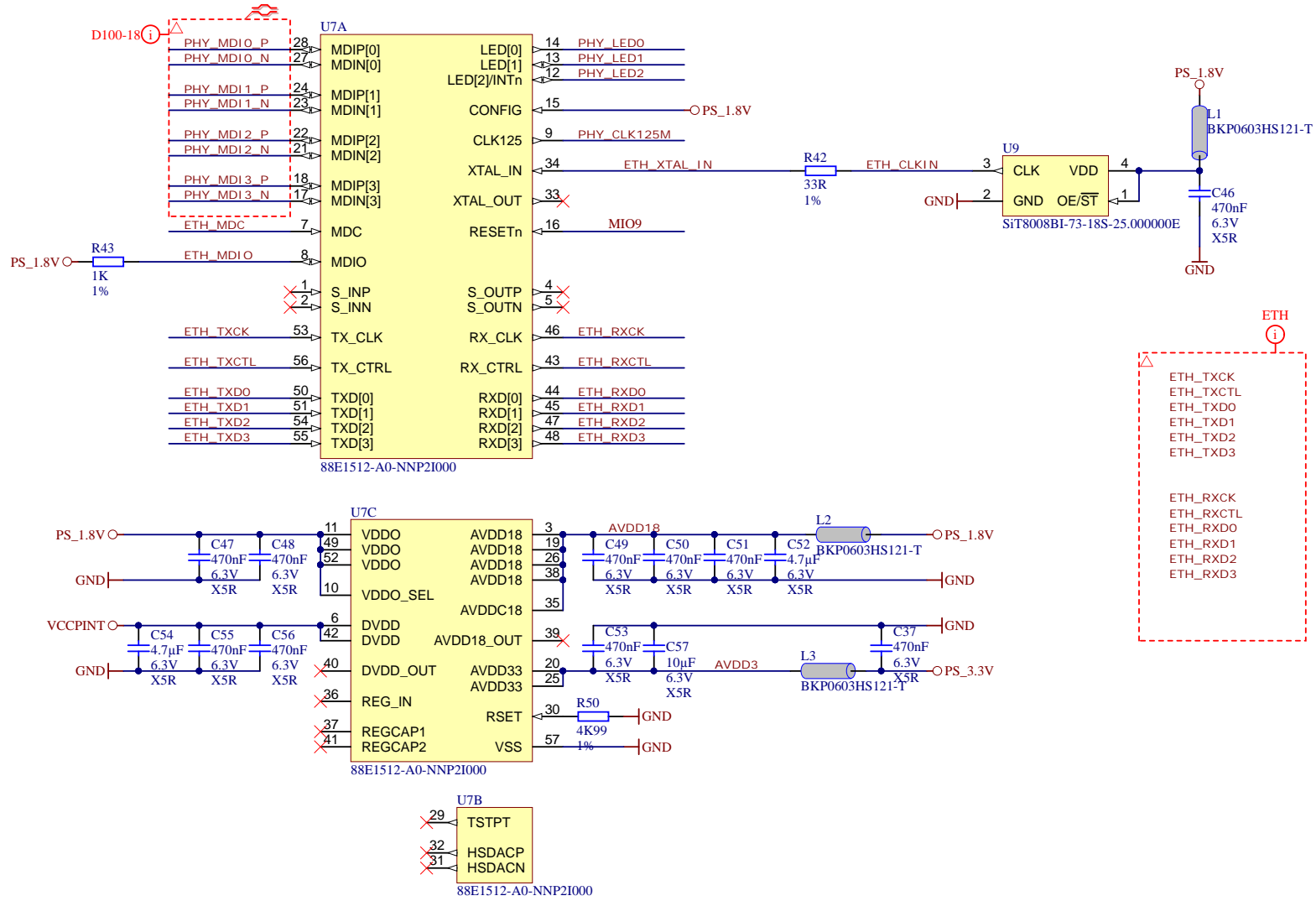
		Title: TE0745 - USB_PHY	
		A4	Number: 18 45-3EA
Date: 2016-04-28		Copyright: Trenz Electronic GmbH / TT	
Filename: USB-PHY.SchDoc		Page 18 of 25	

1

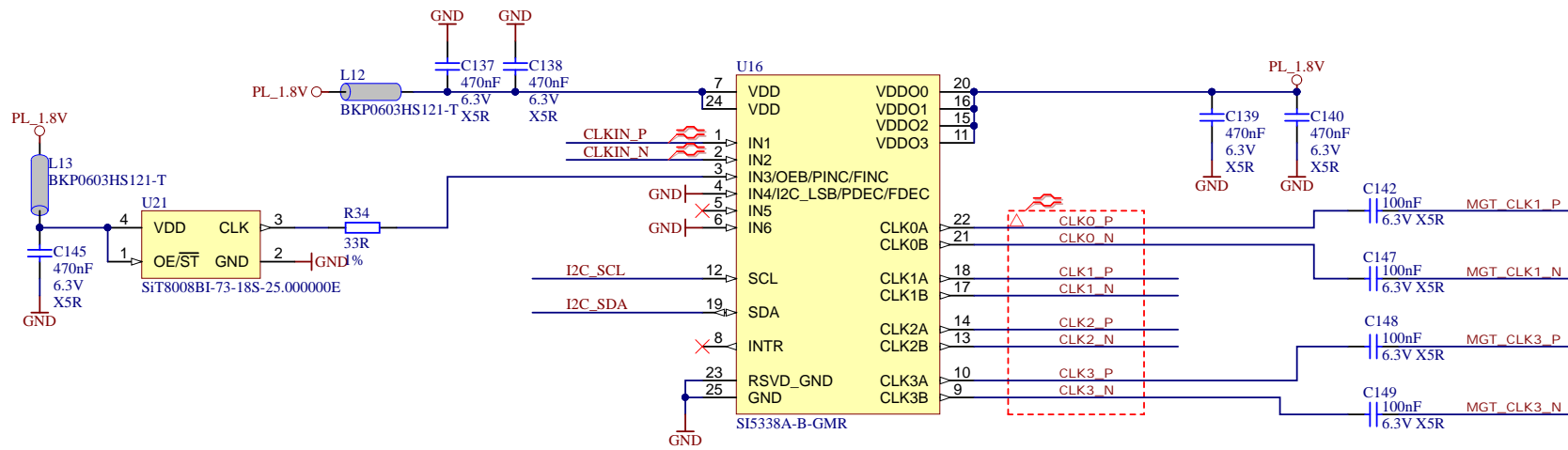
2

3


4

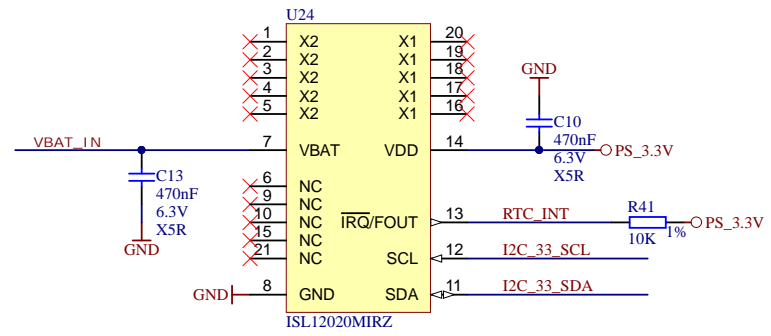


Title: TE0745 - ETH_PHY		
A4	Number: 19 45-3EA	Rev. 02
Date: 2016-04-28	Copyright: Trenz Electronic GmbH / TT	Page 19 of 25
Filename: ETH-PHY.SchDoc		

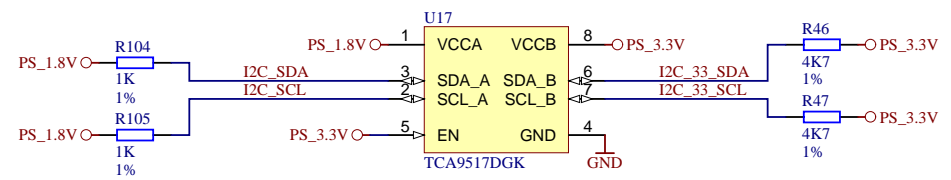


Slave ADDR:
1110000 OR 1110001

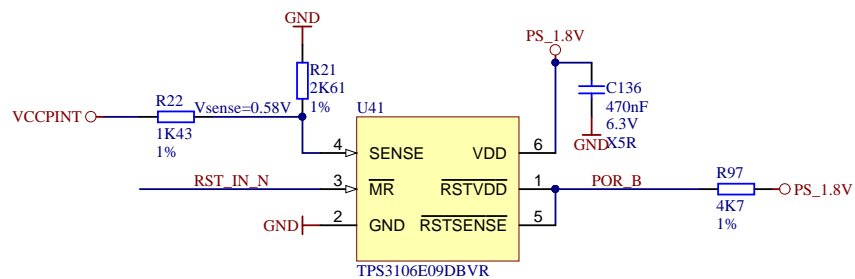
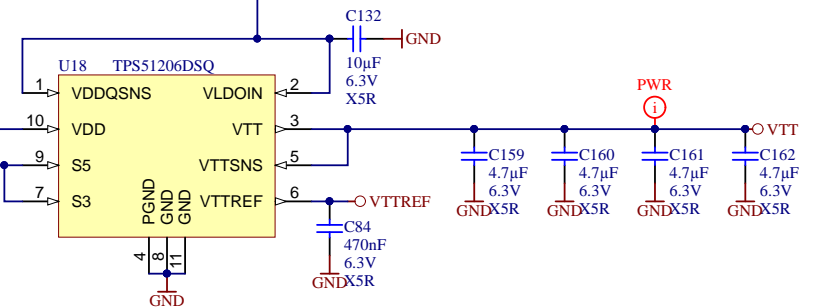
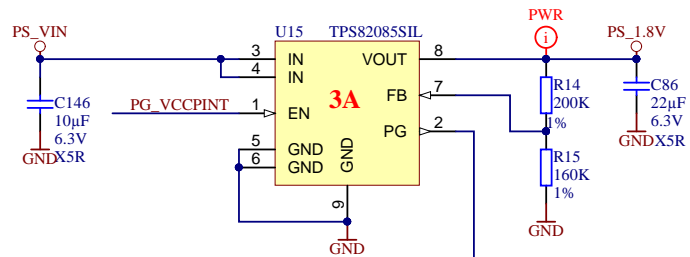
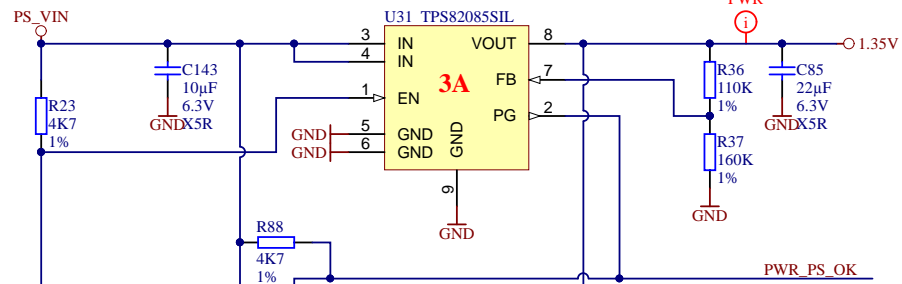
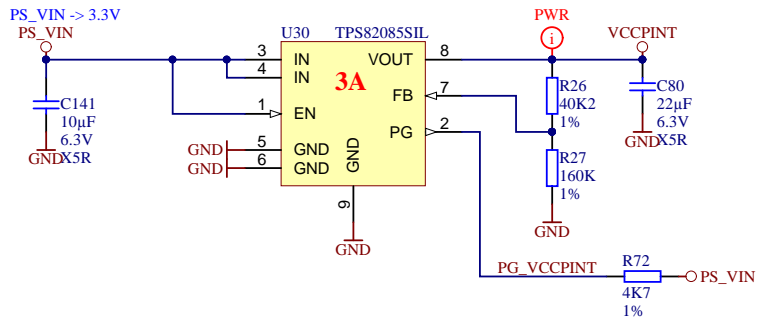
	Title: TE0745 - CLK		
	A4	Number: 20 45-3EA	Rev. 02
	Date: 2016-04-28	Copyright: Trenz Electronic GmbH / TT	Page20 of 25
	Filename: CLK.SchDoc		



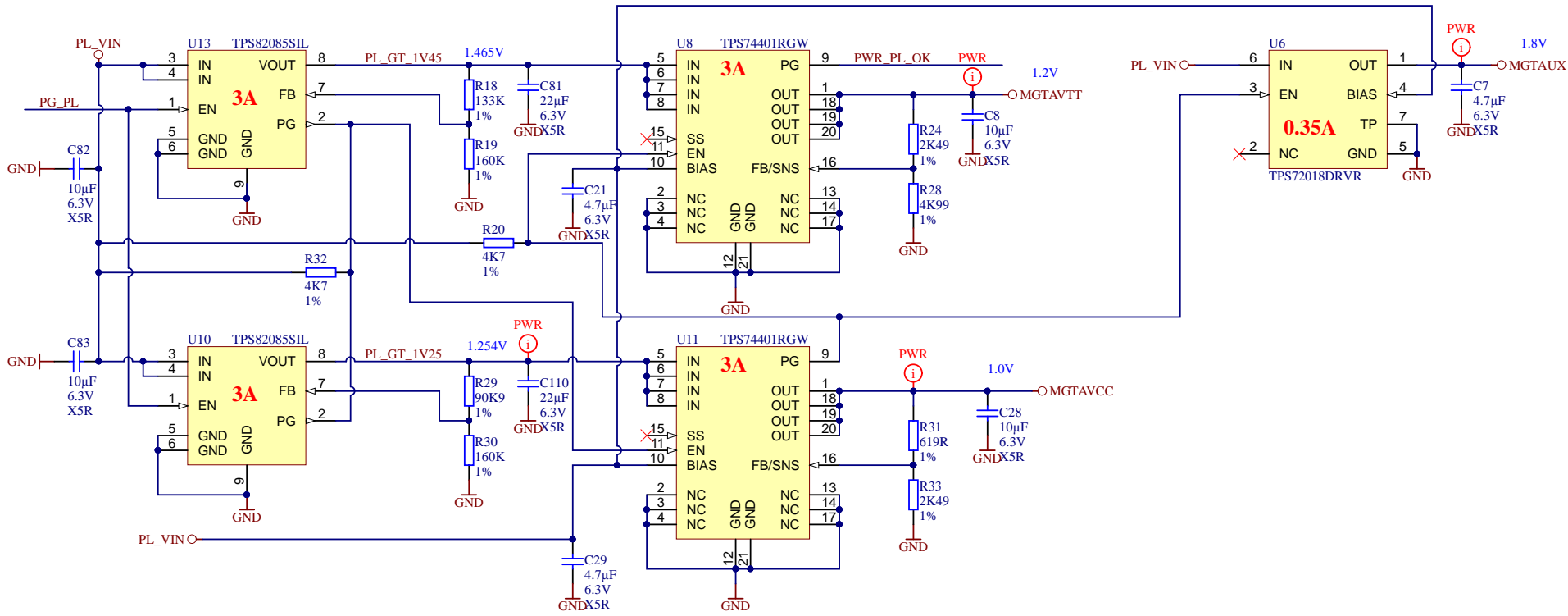
Slave ADDR:
 for RTC registers: 1101111
 for User SRAM: 1010111




Title: TE0745 - RTC		
A4	Number: 21 45-3EA	Rev. 02
Date: 2016-04-28	Copyright: Trenz Electronic GmbH / TT	Page21 of 25
Filename: SENSOR-RTC.SchDoc		



Title: TE0745 - Power2		
A4	Number: 23 45-3EA	Rev. 02
Date: 2016-04-28	Copyright: Trenz Electronic GmbH / TT	Page23 of 25
Filename: POWER_2.SchDoc		



	Title: TE0745 - Power3		
	A4	Number: 24 45-3EA	Rev. 02
	Date: 2016-04-28	Copyright: Trenz Electronic GmbH / TT	Page24 of 25
	Filename: POWER_3.SchDoc		

1 2 3 4

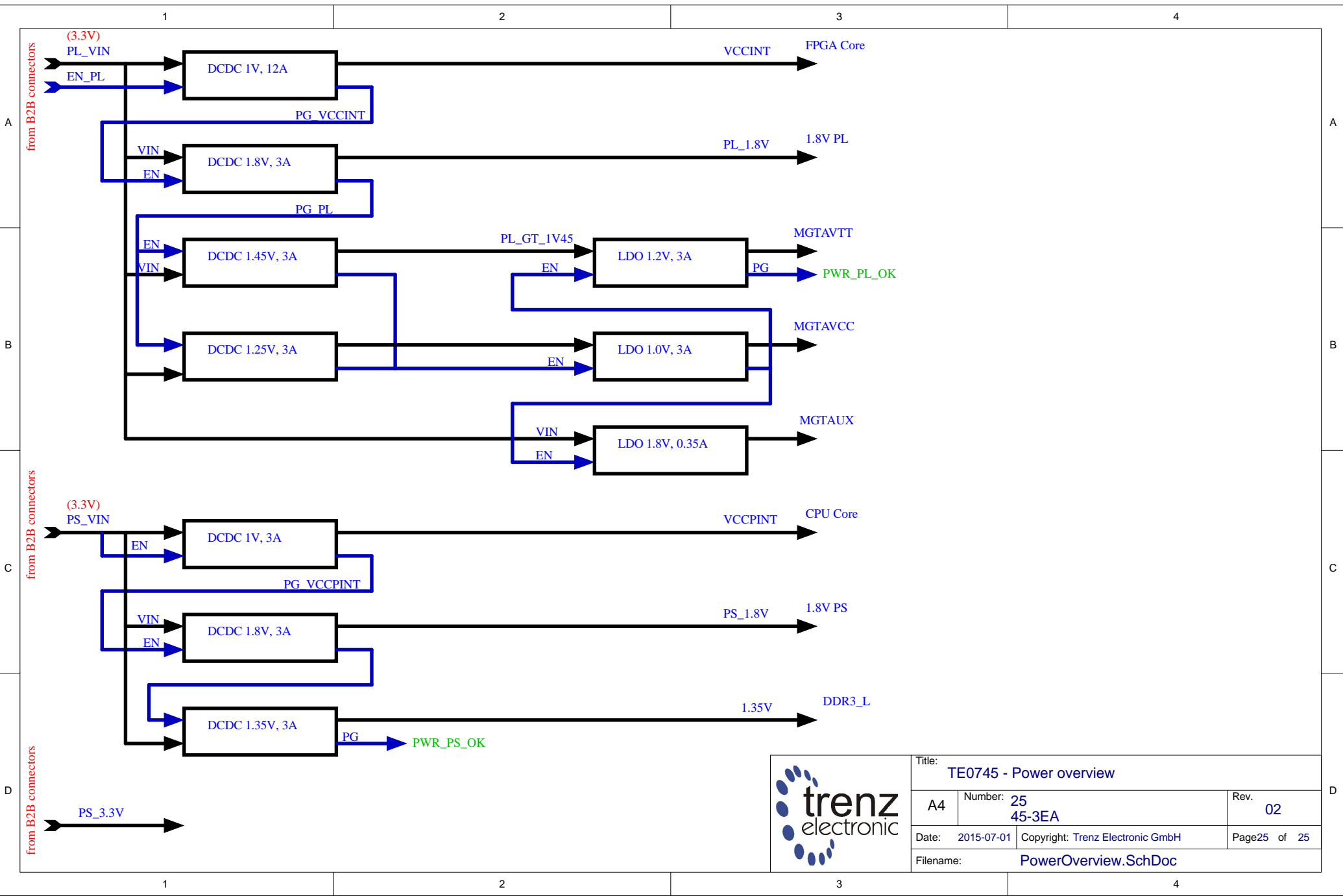
A

B

C

D

1 2 3 4



Title: TE0745 - Power overview		
A4	Number: 25 45-3EA	Rev. 02
Date: 2015-07-01	Copyright: Trenz Electronic GmbH	Page 25 of 25
Filename: PowerOverview.SchDoc		