

1

2

3

4

CHANGES REV01 to REV02

- 1) MAC EEPROM Address patch fixed on PCB
- 2) lib components update

A

A

B

B


C

C

D

D

Assembly variant	71131-AZ
Created by	ED
Modified by	ED
Modified at	2023-01-11
SVN Version	8496

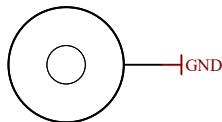
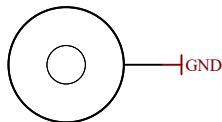
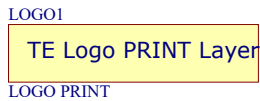
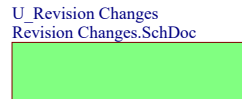
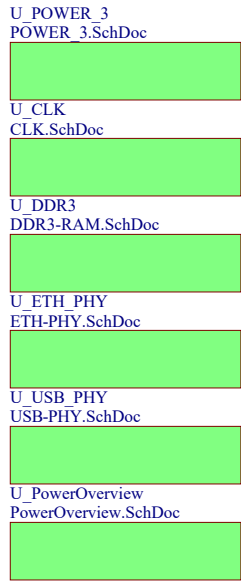
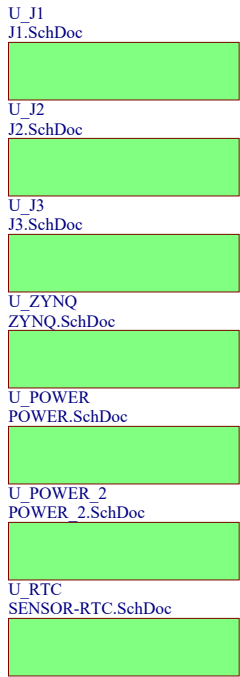
	Title: TE0745		
	A4	Number: 1 71131-AZ	Rev. 02
	Date: 2016-04-28	Copyright: Trenz Electronic GmbH / TT	Page 1 of 25
	Filename: Revision Changes.SchDoc		

1

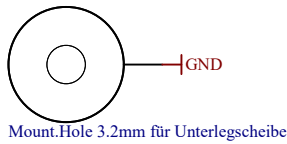
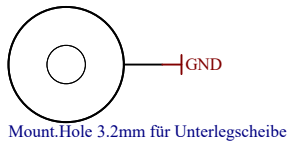
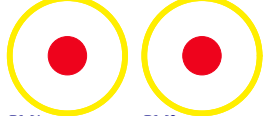
2

3

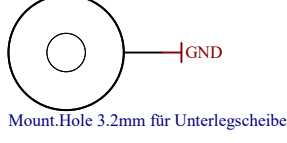
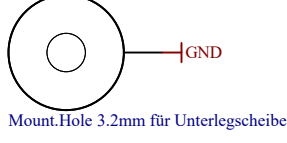
4



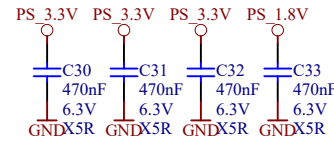
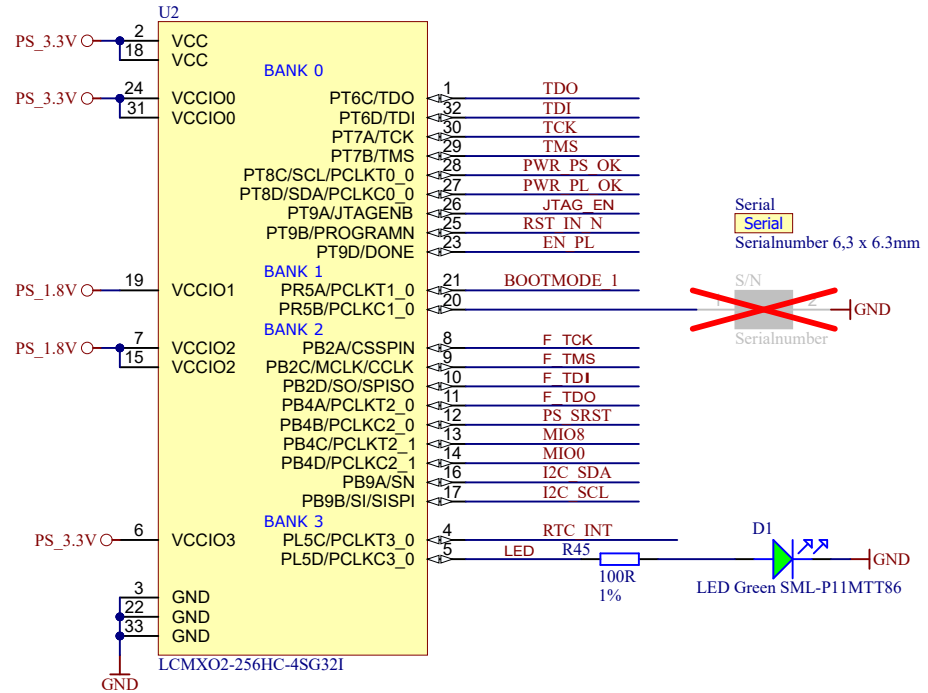
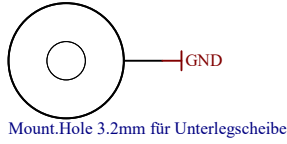
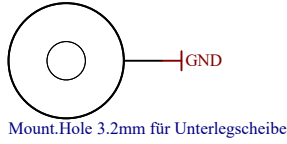
FIDU-DOT - small FIDU-DOT - small



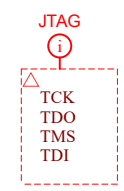
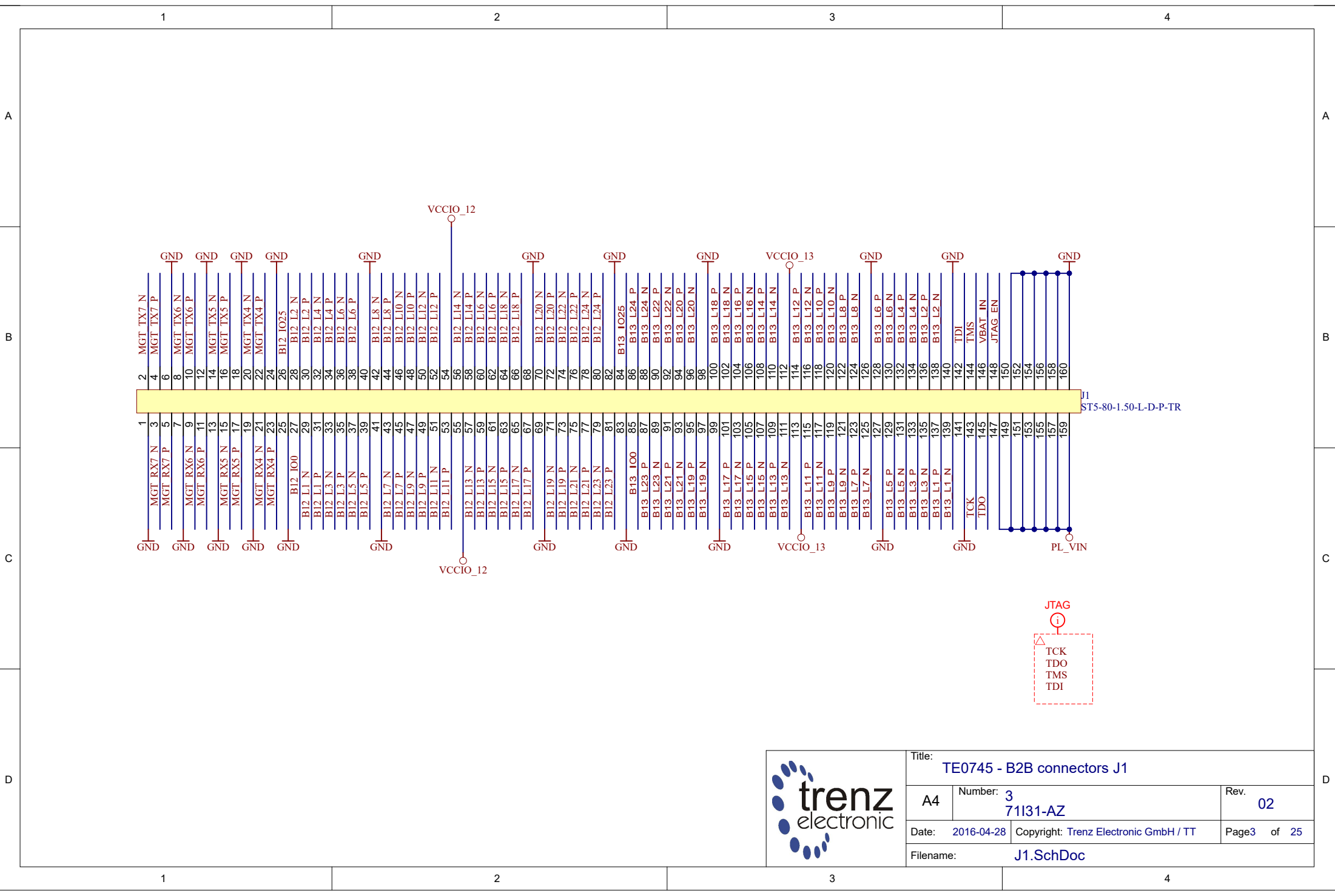
FIDU-DOT - small FIDU-DOT - small




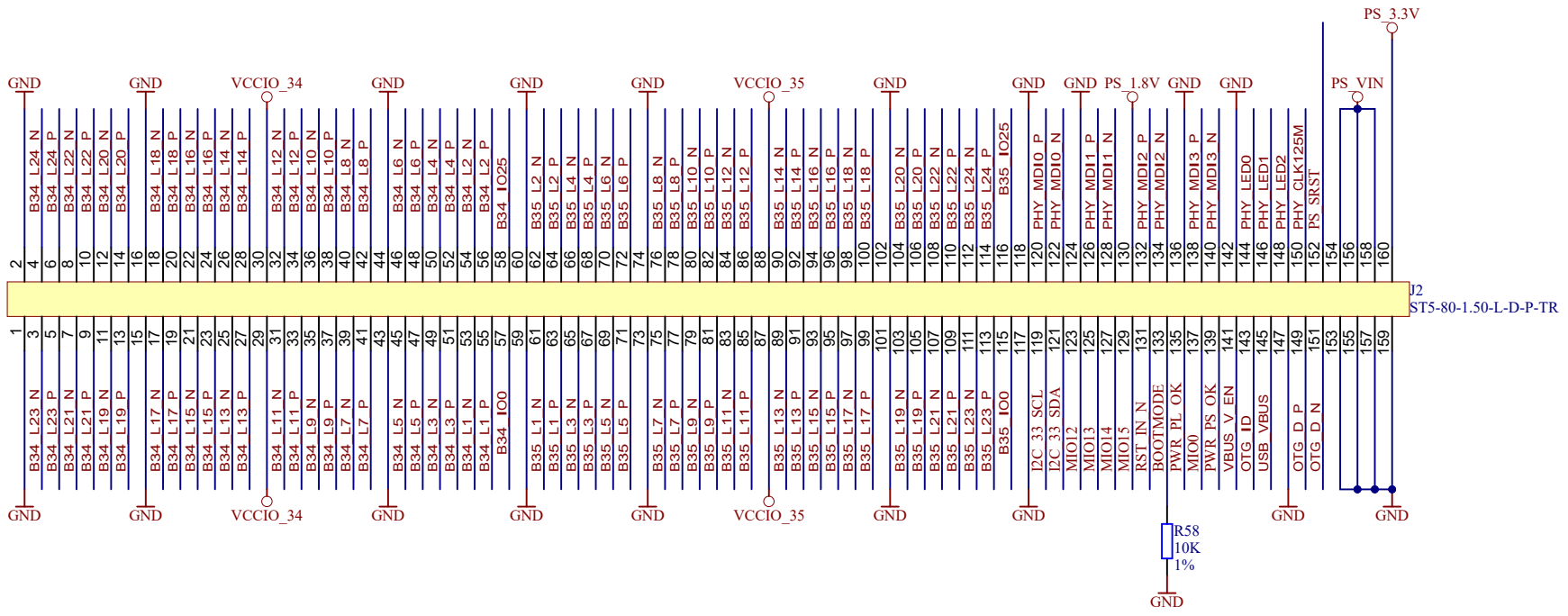
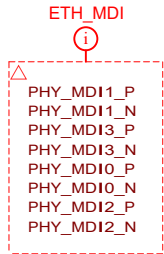
FIDU-DOT - small FIDU-DOT - small




	Title: TE0745	
	A4	Number: 2 71131-AZ
	Date: 2016-04-28	Rev. 02
	Copyright: Trenz Electronic GmbH / TT	Page2 of 25
Filename: TE0745.SchDoc		

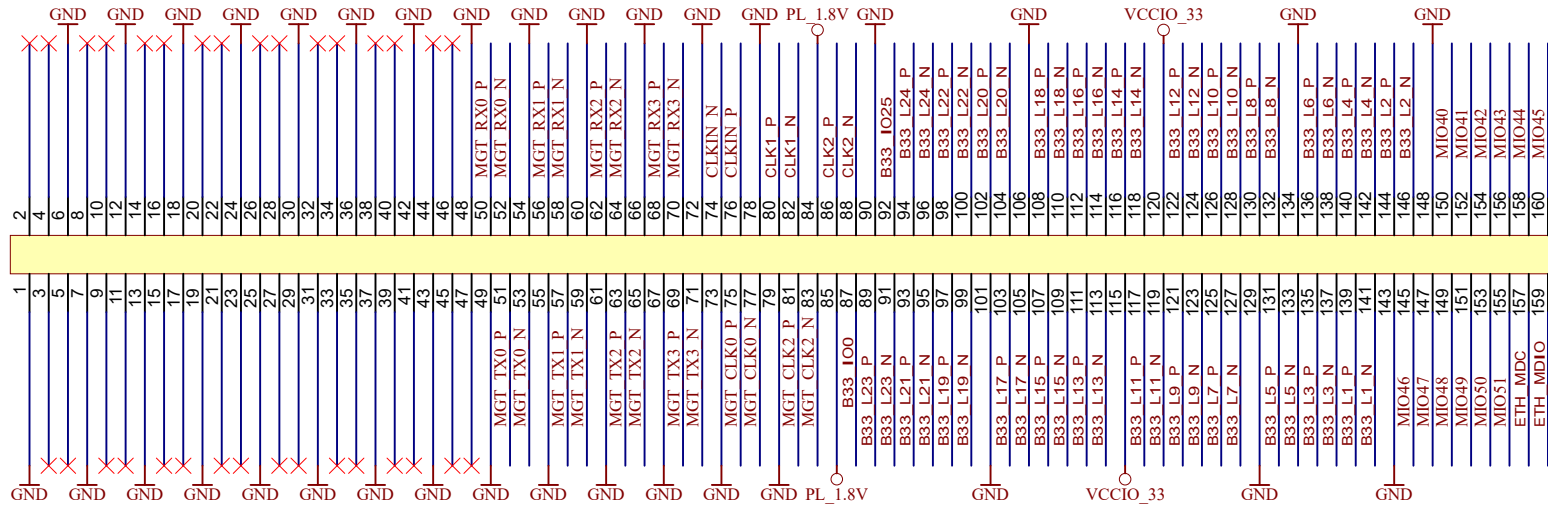


		Title: TE0745 - B2B connectors J1	
		A4	Number: 3 71131-AZ
Date: 2016-04-28		Copyright: Trenz Electronic GmbH / TT	
Filename: J1.SchDoc		Page 3 of 25	



			Title: TE0745 - B2B connectors J2	
A4	Number: 4 71131-AZ	Rev. 02		
Date: 2016-04-28	Copyright: Trenz Electronic GmbH / TT		Page 4 of 25	
Filename: J2.SchDoc				

RESERVED for additional 8 GTX lanes



J3
ST5-80-1.50-L-D-P-TR



Title: TE0745 - B2B connectors J3		
A4	Number: 5 71131-AZ	Rev. 02
Date: 2016-04-28	Copyright: Trenz Electronic GmbH / TT	Page 5 of 25
Filename: J3.SchDoc		

1

2

3

4

U_B12
B12.SchDoc



U_B500
MIO_B500.SchDoc



U_B13
B13.SchDoc



U_PS_DDR
PS-DDR.SchDoc



U_B33
B33.SchDoc



U_MISC
ZYNQ_MISC.SchDoc



U_B34
B34.SchDoc



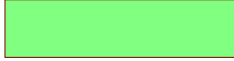
U_ZYNQ_POWER
ZYNQ_POWER.SchDoc



U_B35
B35.SchDoc



U_FPGA_MGT
FPGA_MGT.SchDoc



A

A

B

B

C

C

D


D

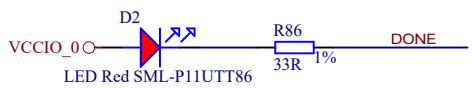
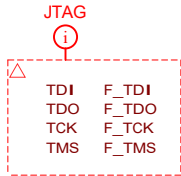
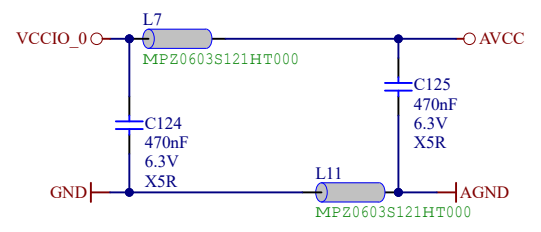
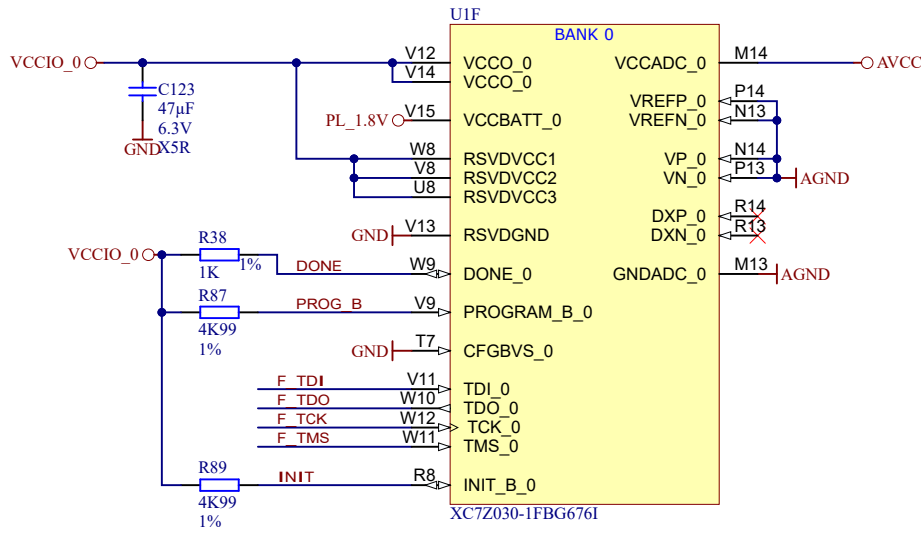
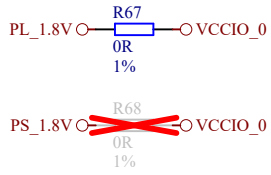
1

2

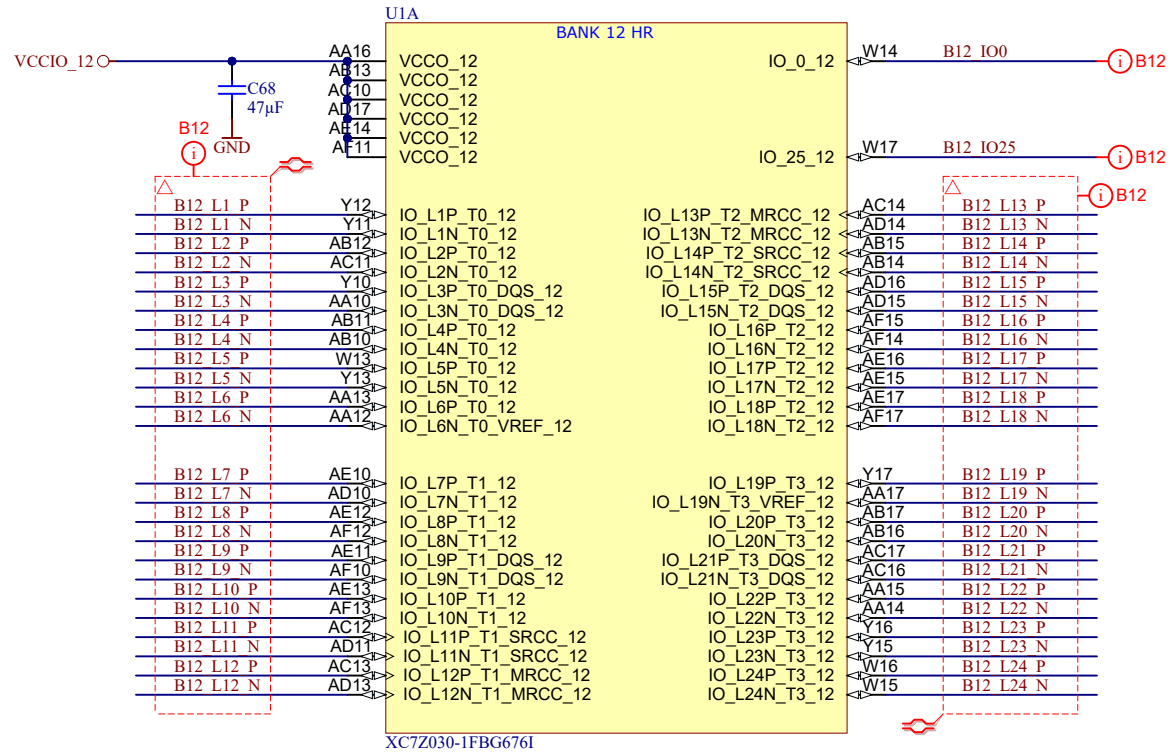
3

4

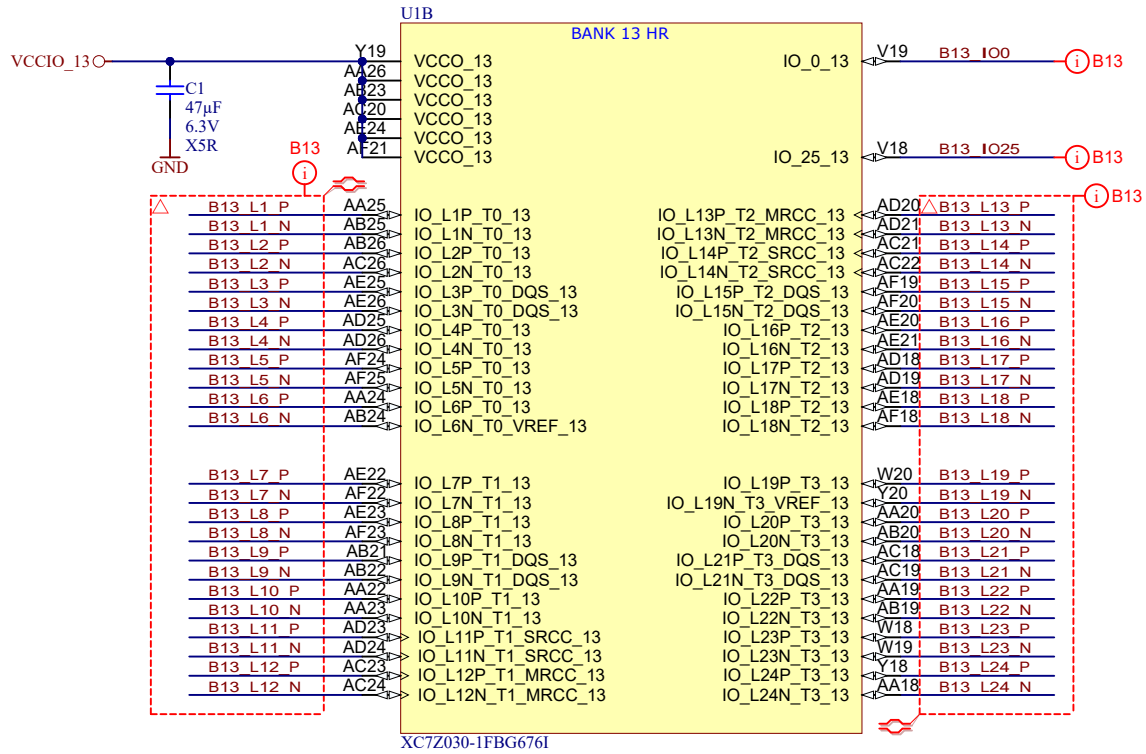
	Title: TE0745 - Zynq		
	A4	Number: 6 71131-AZ	Rev. 02
	Date: 2016-04-28	Copyright: Trenz Electronic GmbH / TT	Page6 of 25
	Filename: ZYNQ.SchDoc		



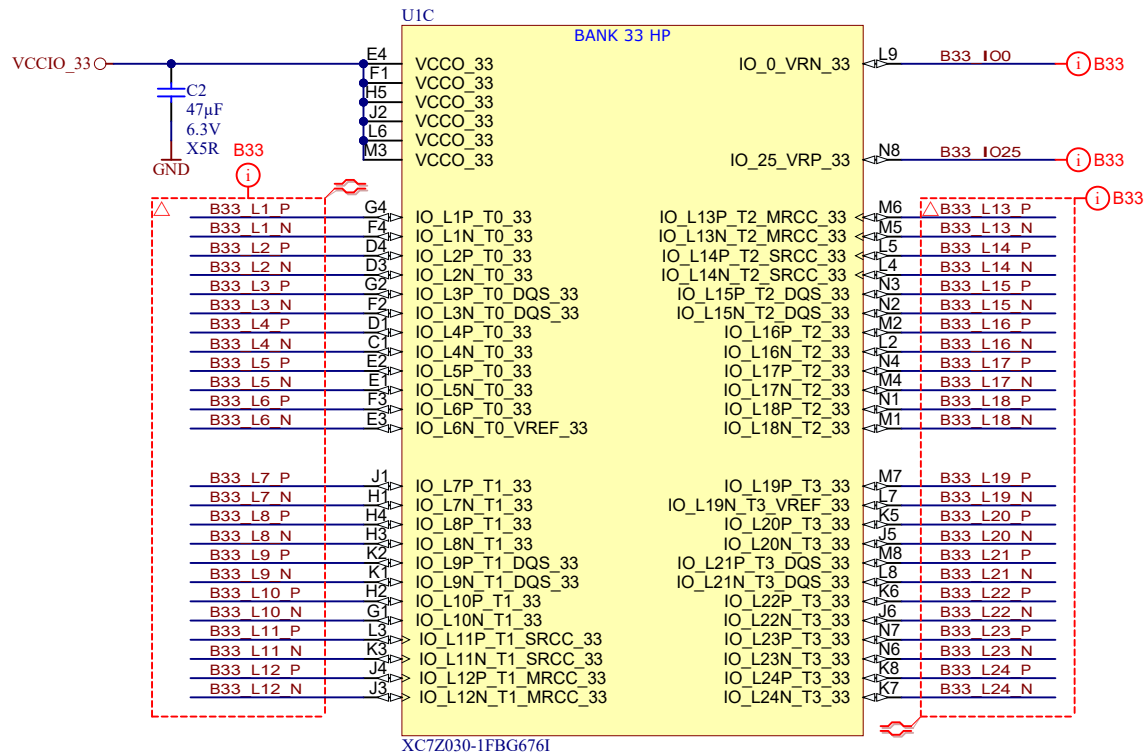
Title: TE0745 - Zynq_MISC		
A4	Number: 7 71131-AZ	Rev. 02
Date: 2016-04-28	Copyright: Trenz Electronic GmbH / TT	Page 7 of 25
Filename: ZYNQ_MISC.SchDoc		



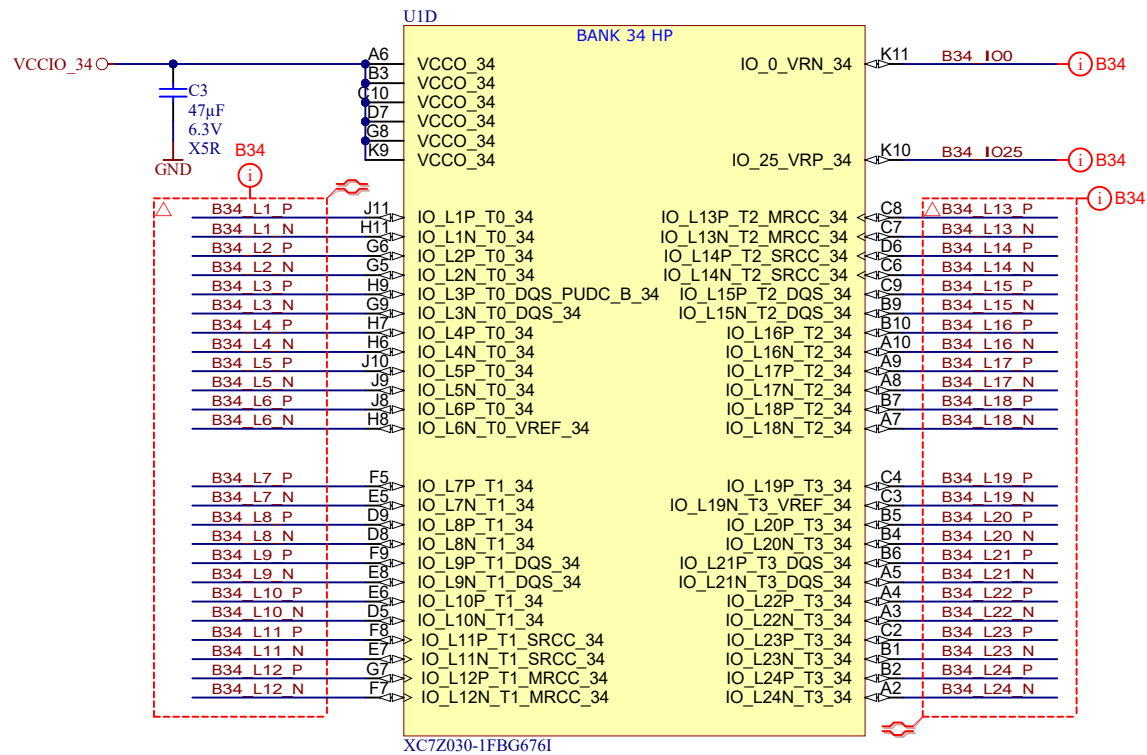
Title: TE0745 - Zynq_B12		
A4	Number: 8 71131-AZ	Rev. 02
Date: 2016-04-28	Copyright: Trenz Electronic GmbH / TT	Page 8 of 25
Filename: B12.SchDoc		



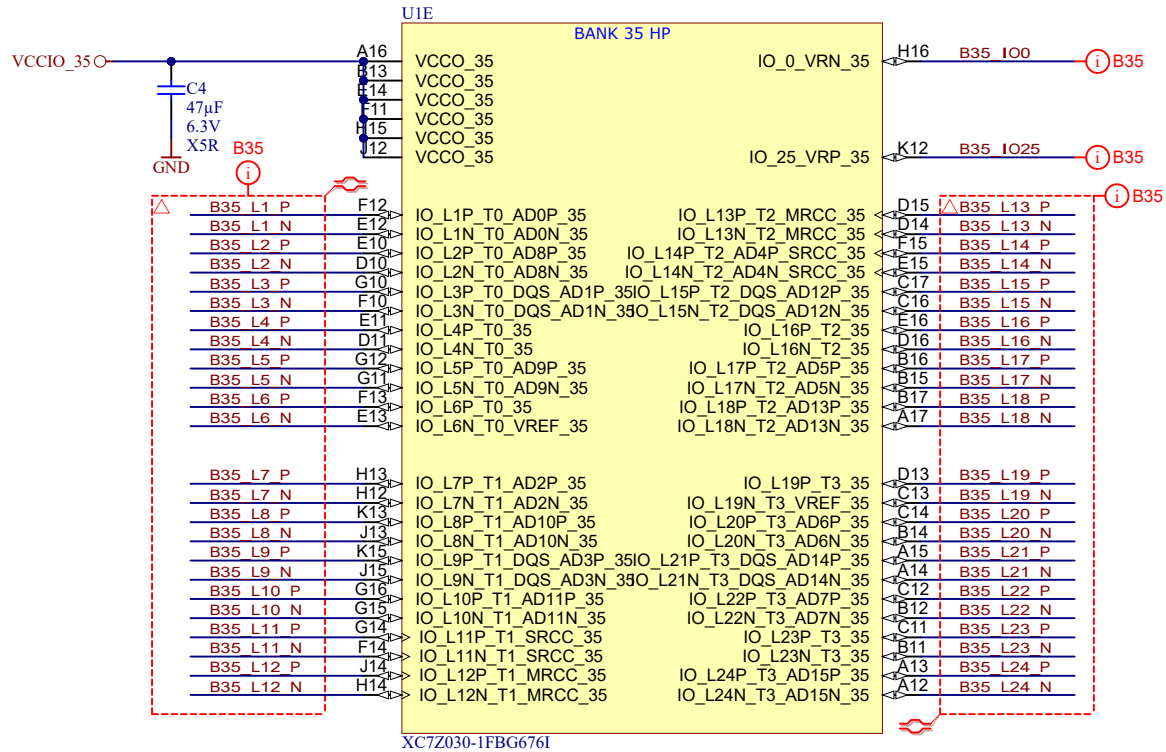

Title: TE0745 - Zynq_B13		
A4	Number: 9 71131-AZ	Rev. 02
Date: 2016-04-28	Copyright: Trenz Electronic GmbH / TT	Page9 of 25
Filename: B13.SchDoc		



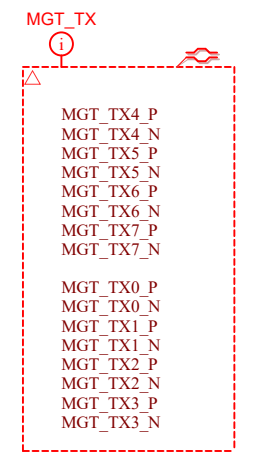
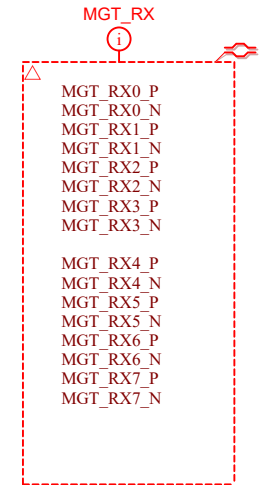
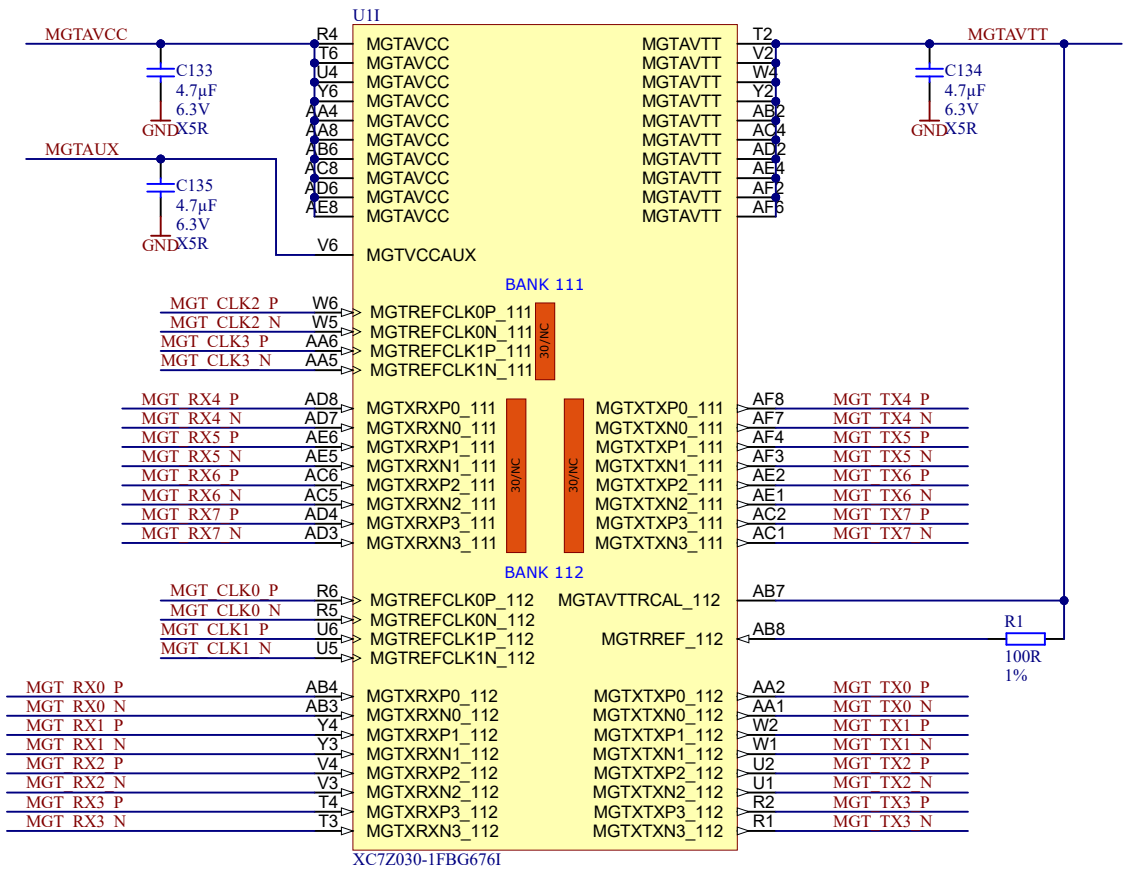
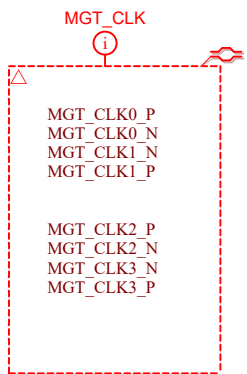
Title: TE0745 - Zynq_B33		
A4	Number: 10 71131-AZ	Rev. 02
Date: 2016-04-28	Copyright: Trenz Electronic GmbH / TT	Page10 of 25
Filename: B33.SchDoc		



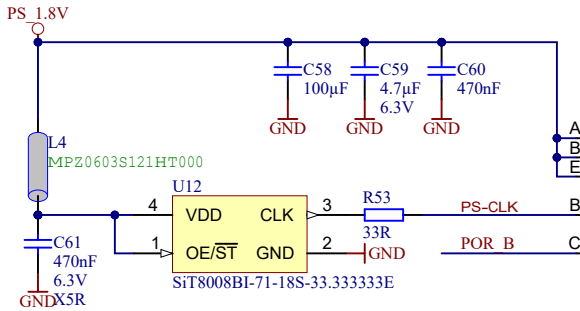
Title: TE0745 - Zynq_B34		
A4	Number: 11 71131-AZ	Rev. 02
Date: 2016-04-28	Copyright: Trenz Electronic GmbH / TT	Page 11 of 25
Filename: B34.SchDoc		

Title: TE0745 - Zynq_B35		
A4	Number: 12 71131-AZ	Rev. 02
Date: 2016-04-28	Copyright: Trenz Electronic GmbH / TT	Page 12 of 25
Filename: B35.SchDoc		

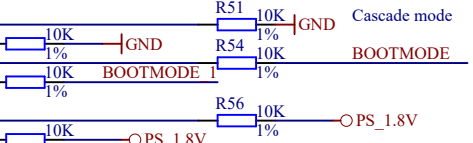
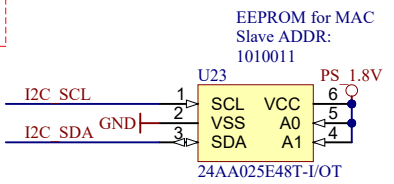
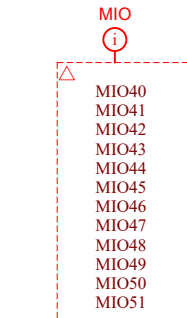
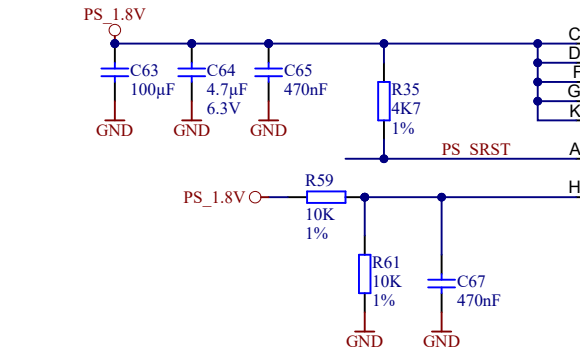


	Title: TE0745 - Zynq_MGT		
	A4	Number: 13 71131-AZ	Rev. 02
	Date: 2016-04-28	Copyright: Trenz Electronic GmbH / TT	Page13 of 25
	Filename: FPGA_MGT.SchDoc		



U1G
BANK 500 & 501

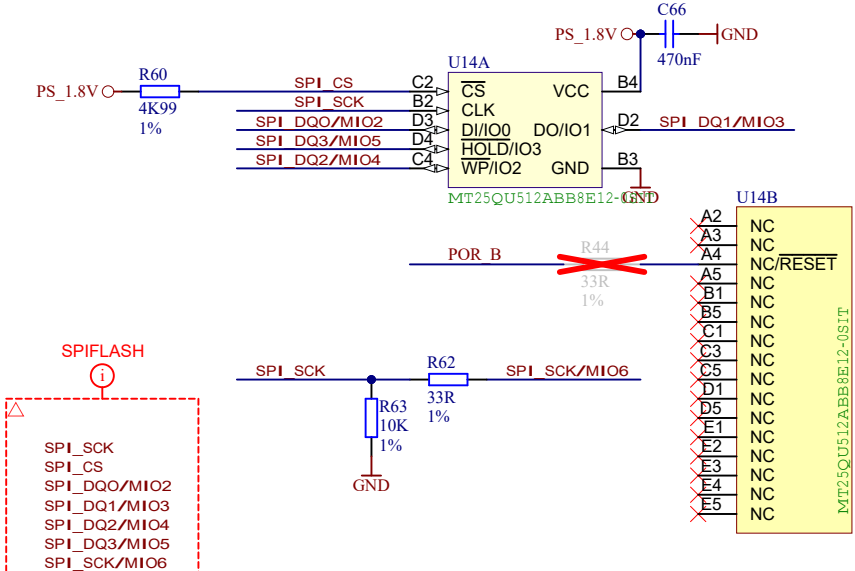
A26	VCCO_MIO0_500	PS_MIO0_500	E26	MIO0
B23	VCCO_MIO0_500	PS_MIO1_500	D26	SPI_CS
E24	VCCO_MIO0_500	PS_MIO2_500	E25	SPI_DQ0/MIO2
		PS_MIO3_500	D25	SPI_DQ1/MIO3
		PS_MIO4_500	F24	SPI_DQ2/MIO4
		PS_MIO5_500	C26	SPI_DQ3/MIO5
		PS_MIO6_500	F23	SPI_SCK/MIO6
		PS_MIO7_500	E23	MIO7
		PS_MIO8_500	A24	MIO8
		PS_MIO9_500	D24	MIO9
		PS_MIO10_500	A25	I2C_SCL
		PS_MIO11_500	B26	I2C_SDA
		PS_MIO12_500	A23	MIO12
		PS_MIO13_500	B25	MIO13
		PS_MIO14_500	D23	MIO14
		PS_MIO15_500	C24	MIO15
			G21	ETH_TXCK
			G17	ETH_TXD0
			G20	ETH_TXD1
			G19	ETH_TXD2
			H19	ETH_TXD3
			F22	ETH_TXCTL
			G22	ETH_RXCK
			F20	ETH_RXD0
			J19	ETH_RXD1
			F19	ETH_RXD2
			H17	ETH_RXD3
			F18	ETH_RXCTL
			J18	OTG_DATA4
			E20	OTG_DIR
			K19	OTG_STP
			E21	OTG_NXT
			K17	OTG_DATA0
			E22	OTG_DATA1
			J16	OTG_DATA2
			D19	OTG_DATA3
			K16	OTG_CLK
			D20	OTG_DATA5
			D21	OTG_DATA6
			C21	OTG_DATA7
			C22	MIO40
			C19	MIO41
			F17	MIO42
			D18	MIO43
			E18	MIO44
			C18	MIO45
			E17	MIO46
			B19	MIO47
			B21	MIO48
			A18	MIO49
			B22	MIO50
			B20	MIO51
			A20	ETH_MDC
			A19	ETH_MDIO



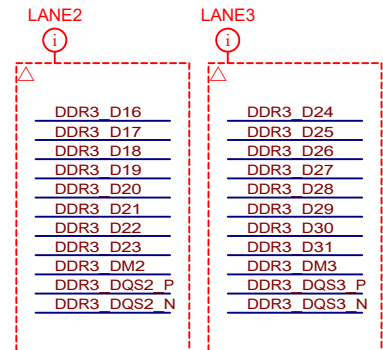
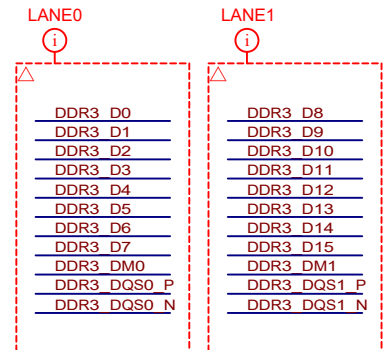
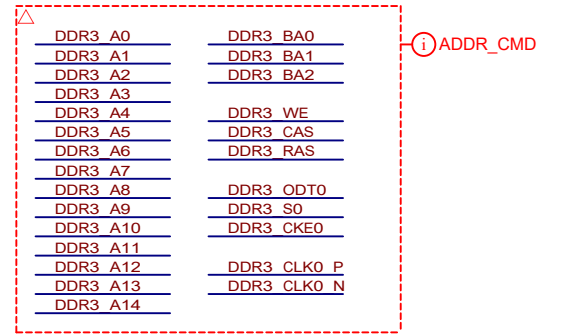
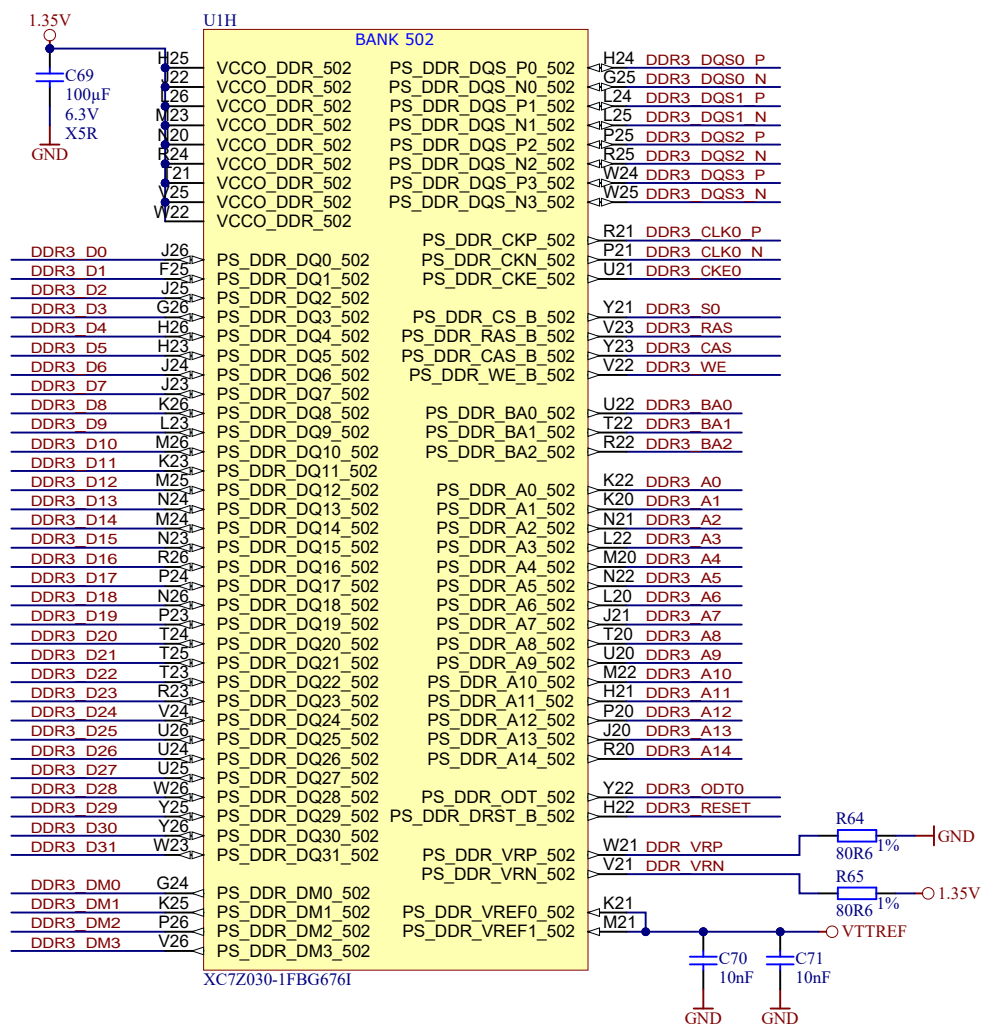
MIO Bank Voltage	MIO7	MIO8	
	Bank0	Bank1	

2.5V, 3.3V	0	0	
1.8V	1	1	
BOOT MODE	MIO5	MIO4	MIO3

JTAG Boot Mode	0	0	0
NOR Boot	0	0	1
NAND	0	1	0
Quad-SPI	1	0	0

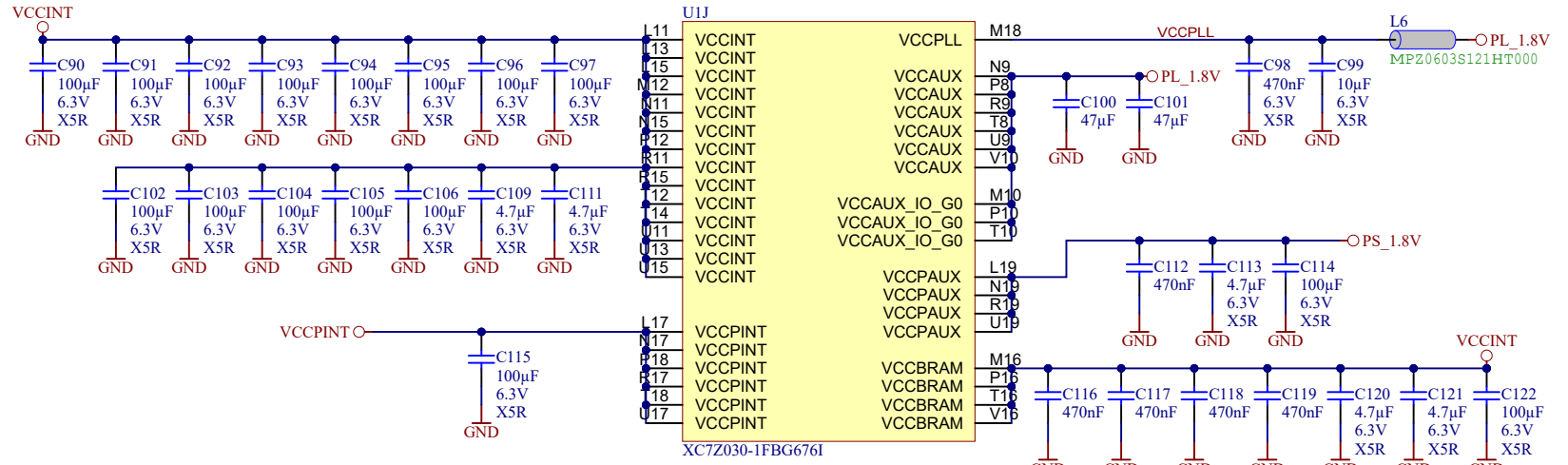
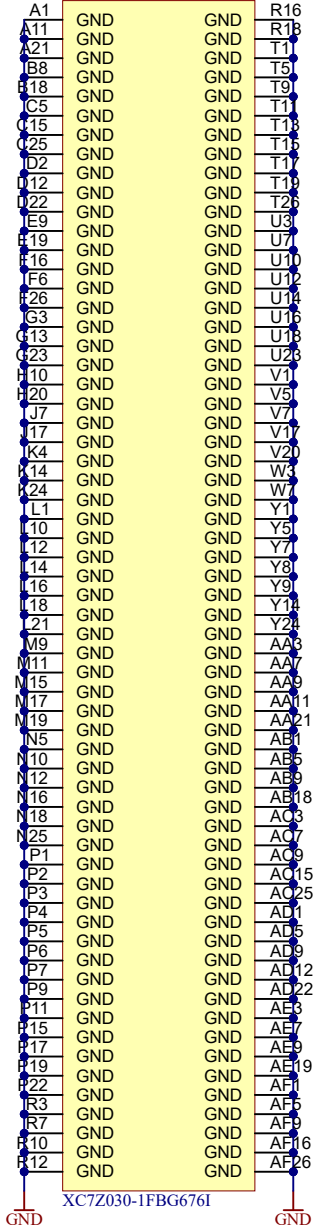


Title: TE0745 - Zynq_MIO_Banks		
A4	Number: 14 7131-AZ	Rev. 02
Date: 2016-04-28	Copyright: Trenz Electronic GmbH / TT	Page 14 of 25
Filename: MIO_B500.SchDoc		



Title: TE0745 - Zynq_PS_DDR		
A4	Number: 15 71131-AZ	Rev. 02
Date: 2016-04-28	Copyright: Trenz Electronic GmbH / TT	Page 15 of 25
Filename: PS-DDR.SchDoc		

UIK



Title: TE0745 - Zynq_Power		
A4	Number: 16 71131-AZ	Rev. 02
Date: 2016-04-28	Copyright: Trenz Electronic GmbH / TT	Page 16 of 25
Filename: ZYNC_POWER.SchDoc		

A

A

B

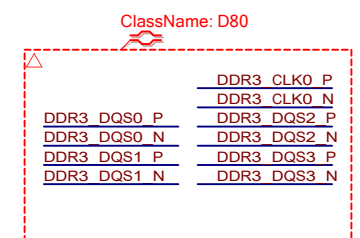
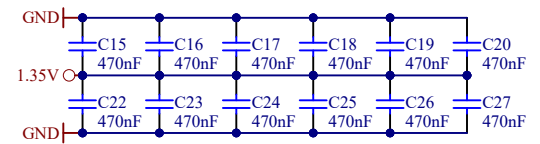
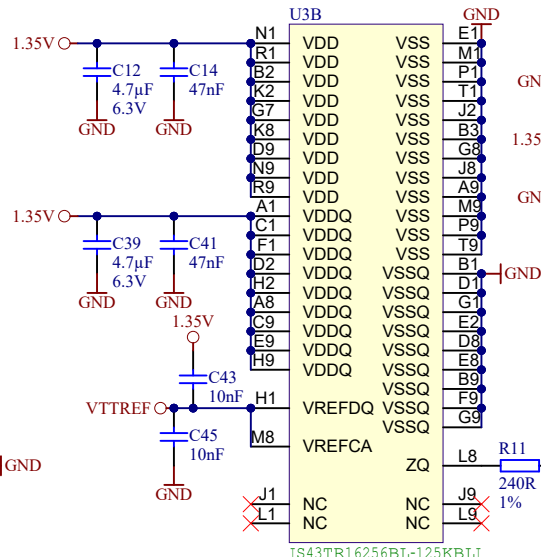
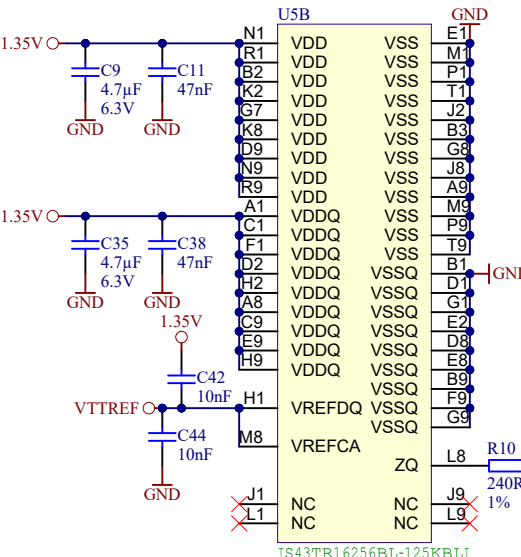
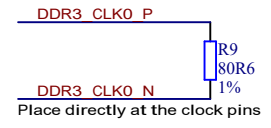
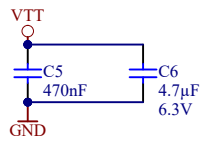
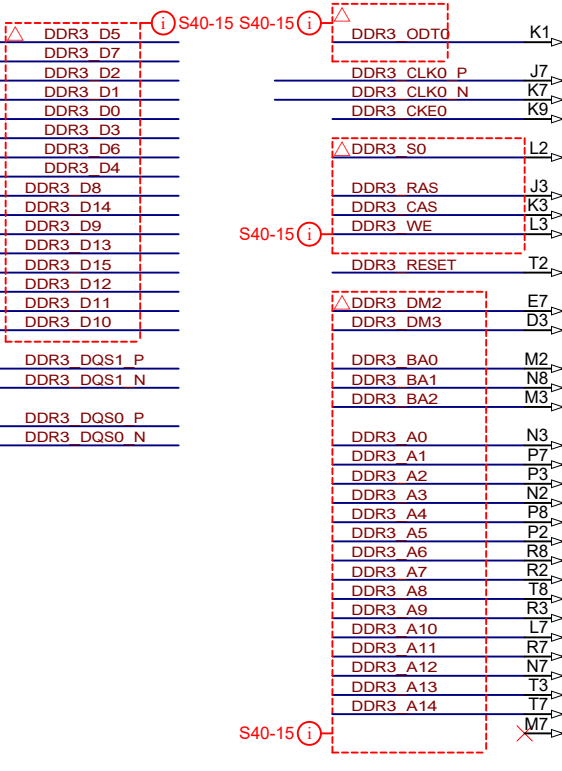
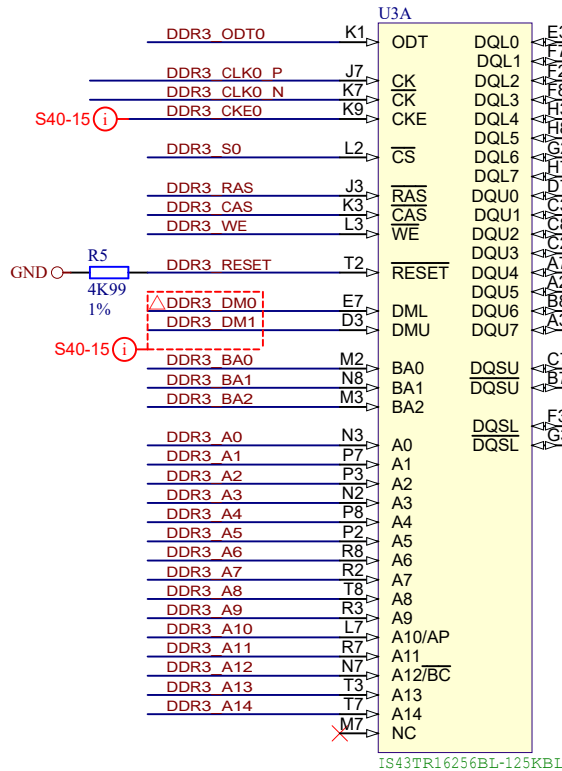
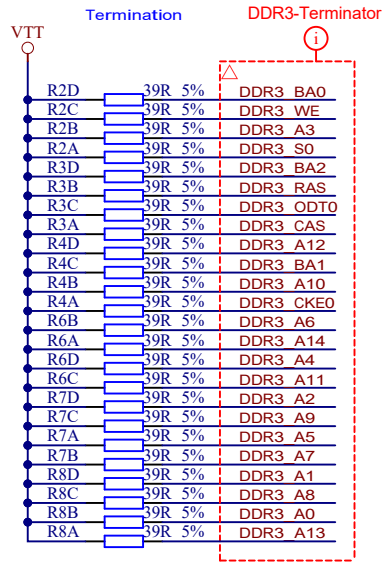
B

C

C

D

D



Title: TE0745 - DDR3 RAM		
A4	Number: 17 71131-AZ	Rev. 02
Date: 2016-04-28	Copyright: Trenz Electronic GmbH	Page 17 of 25
Filename: DDR3-RAM.SchDoc		

1

2

3

4

A

A

B

B

C

C

D

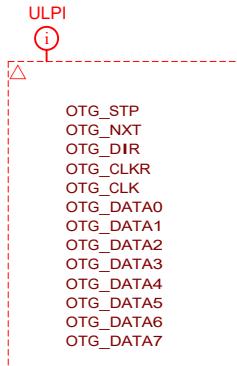
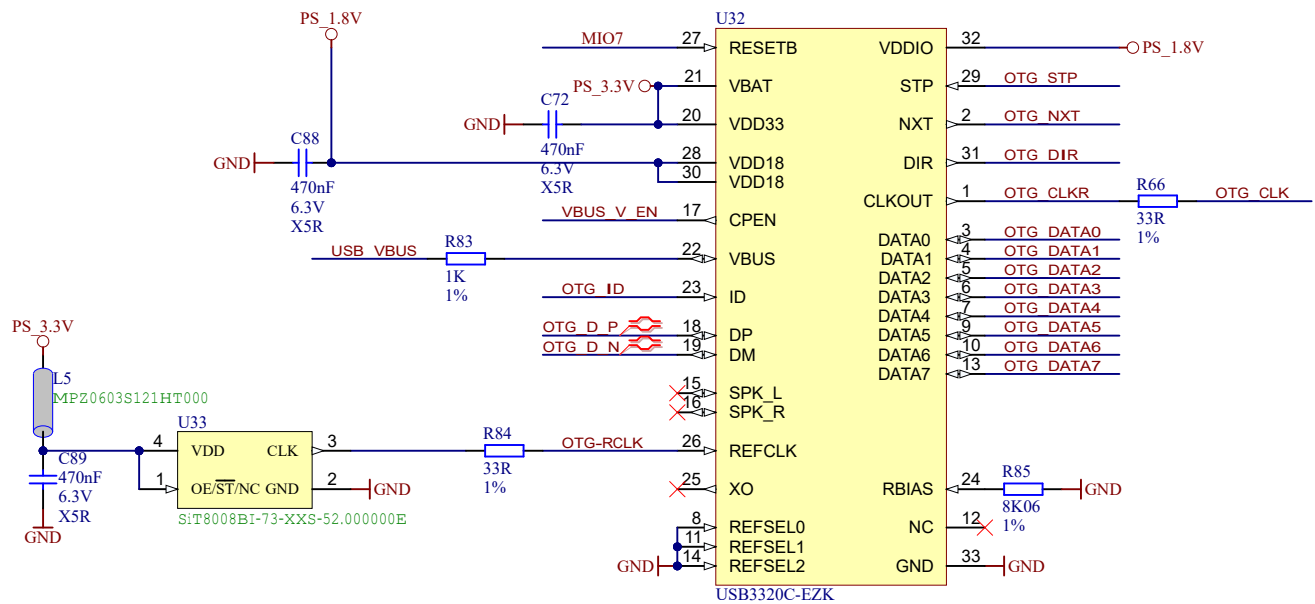
D

1

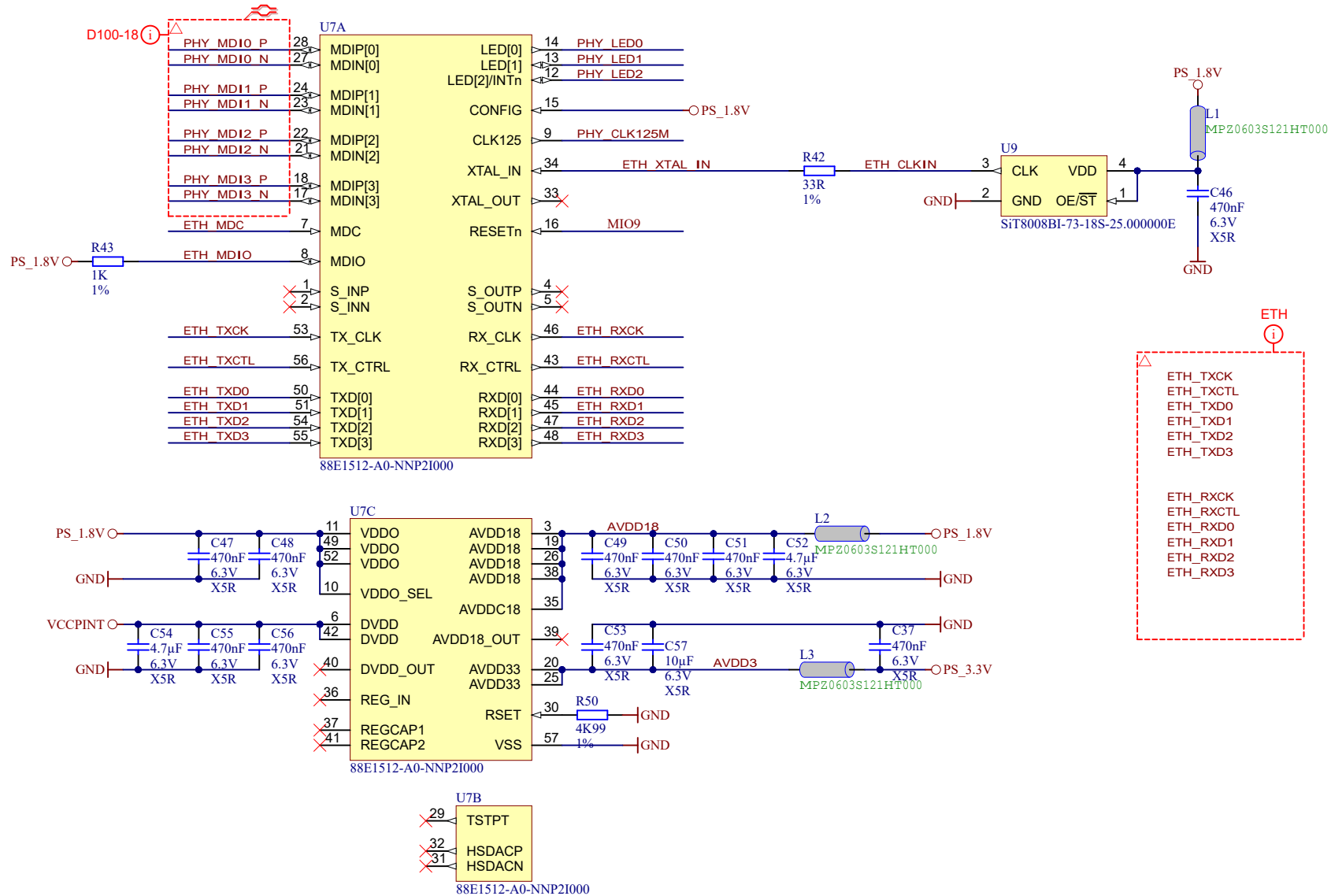
2


3

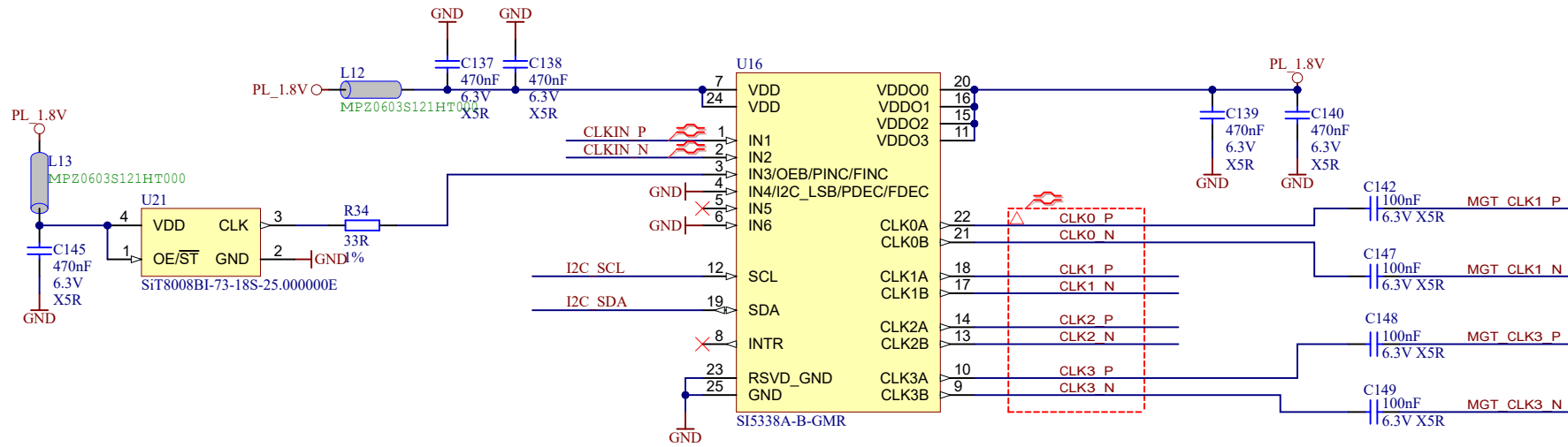
4




Title: TE0745 - USB_PHY		
A4	Number: 18 71131-AZ	Rev. 02
Date: 2016-04-28	Copyright: Trenz Electronic GmbH / TT	Page 18 of 25
Filename: USB-PHY.SchDoc		

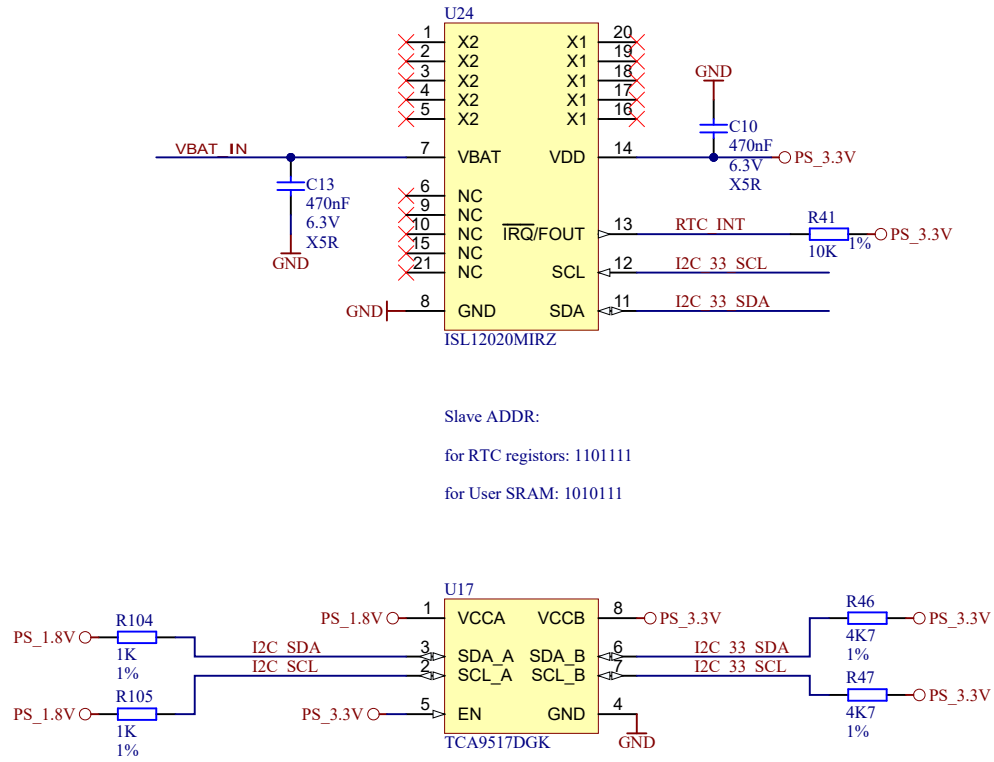


			Title: TE0745 - ETH_PHY	
			A4	Number: 19 71131-AZ
Date: 2016-04-28		Copyright: Trenz Electronic GmbH / TT		Page 19 of 25
Filename: ETH-PHY.SchDoc				

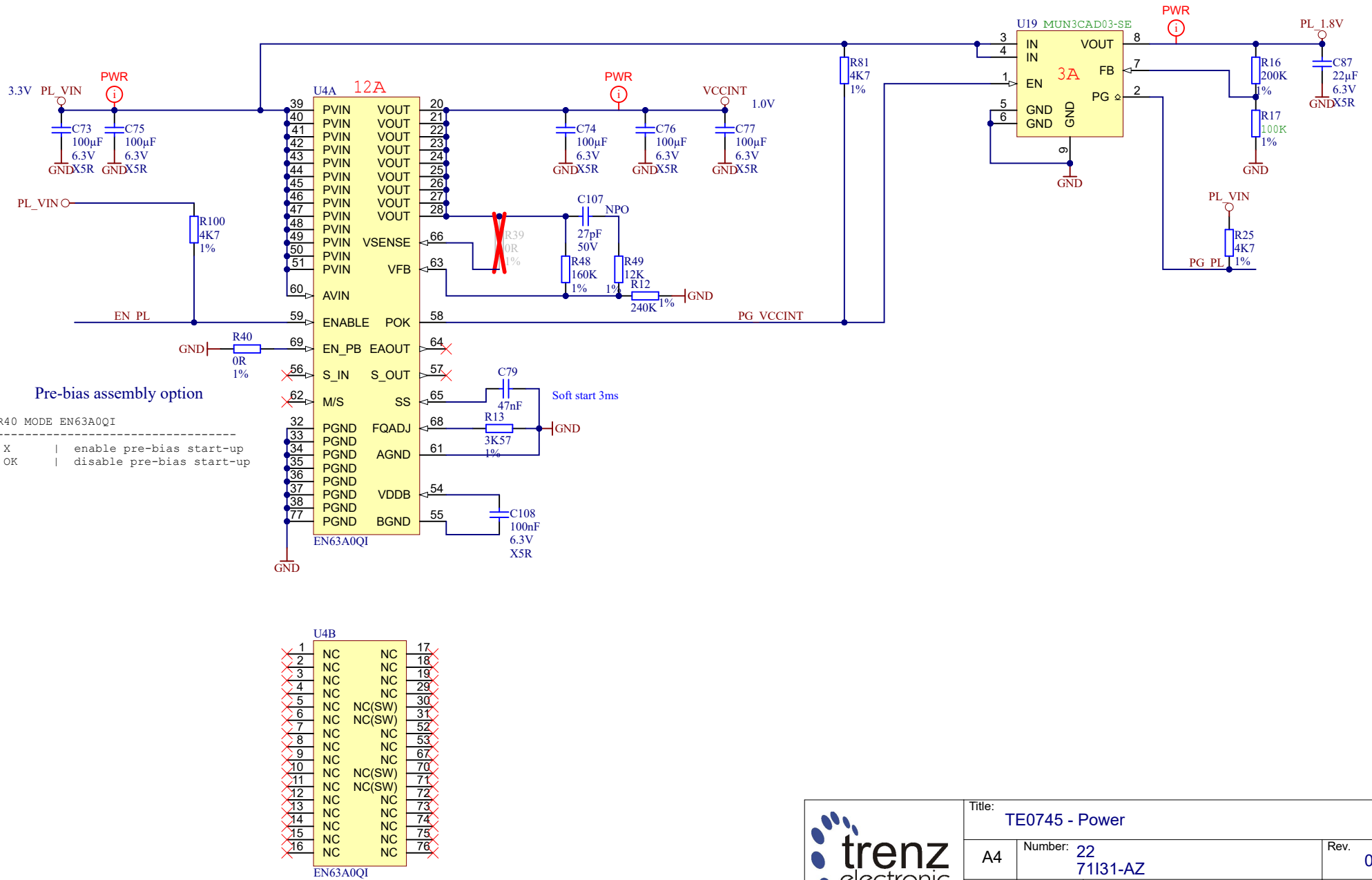


Slave ADDR:
1110000 OR 1110001

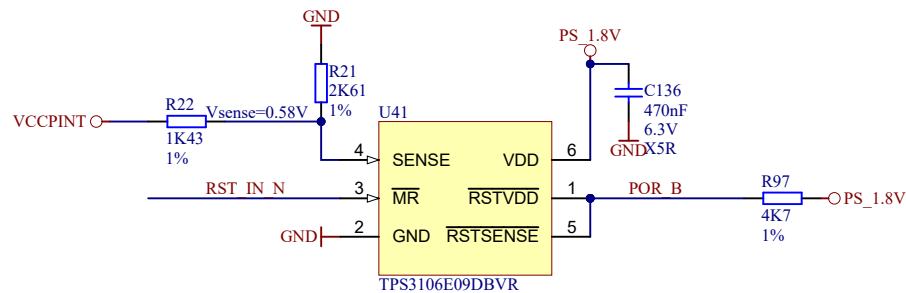
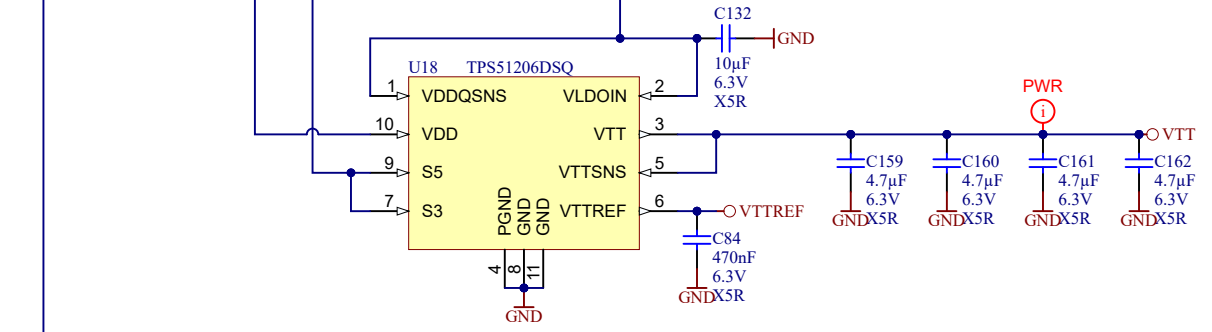
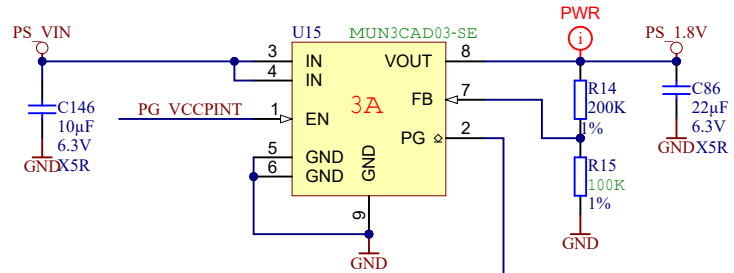
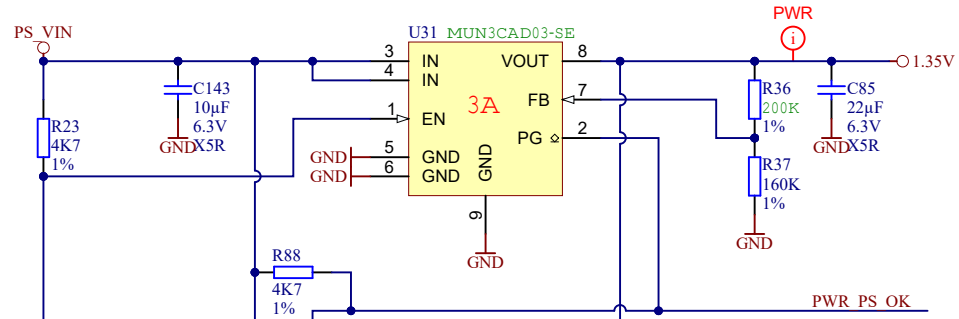
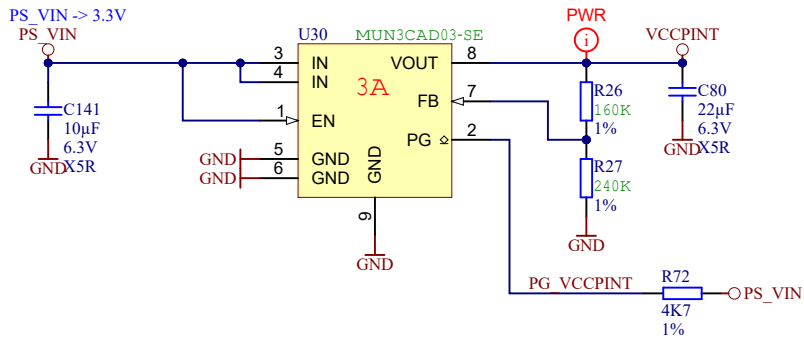
		Title: TE0745 - CLK	
		A4	Number: 20 71131-AZ
Date: 2016-04-28		Copyright: Trenz Electronic GmbH / TT	
Filename: CLK.SchDoc		Page 20 of 25	



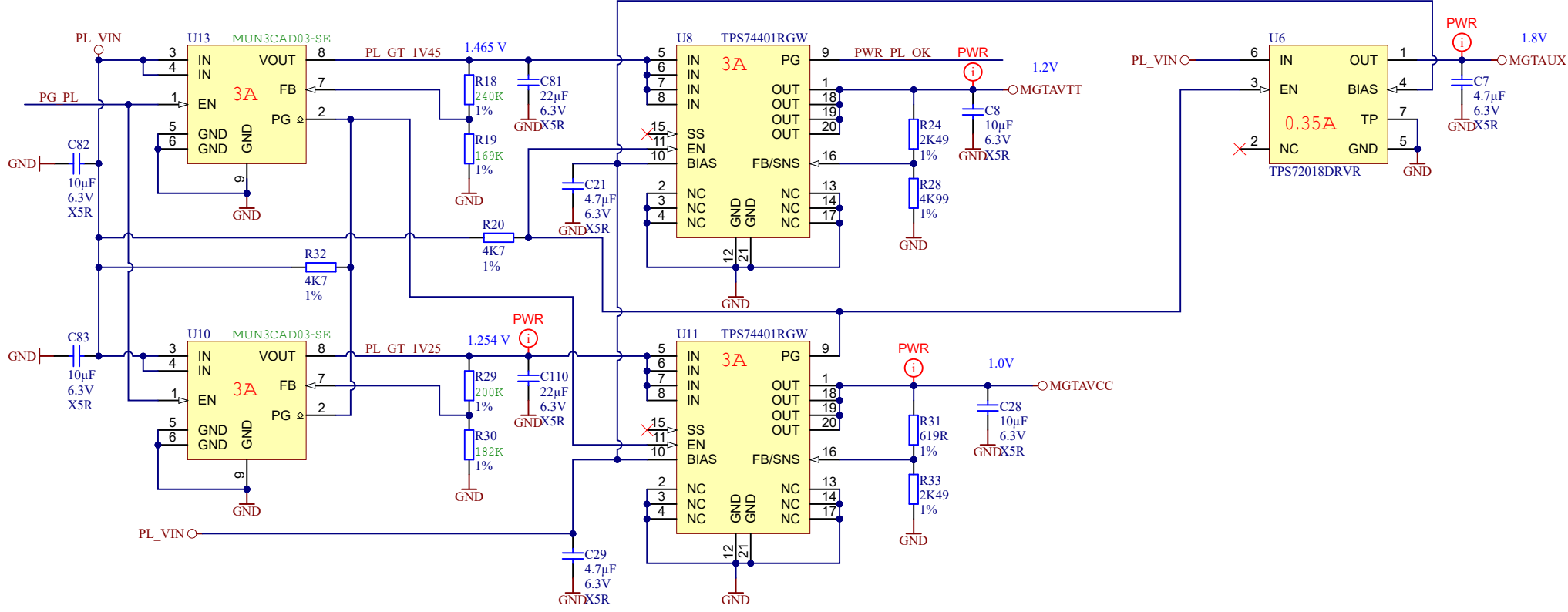
	Title: TE0745 - RTC		
	A4	Number: 21 71131-AZ	Rev. 02
	Date: 2016-04-28	Copyright: Trenz Electronic GmbH / TT	Page21 of 25
	Filename: SENSOR-RTC.SchDoc		




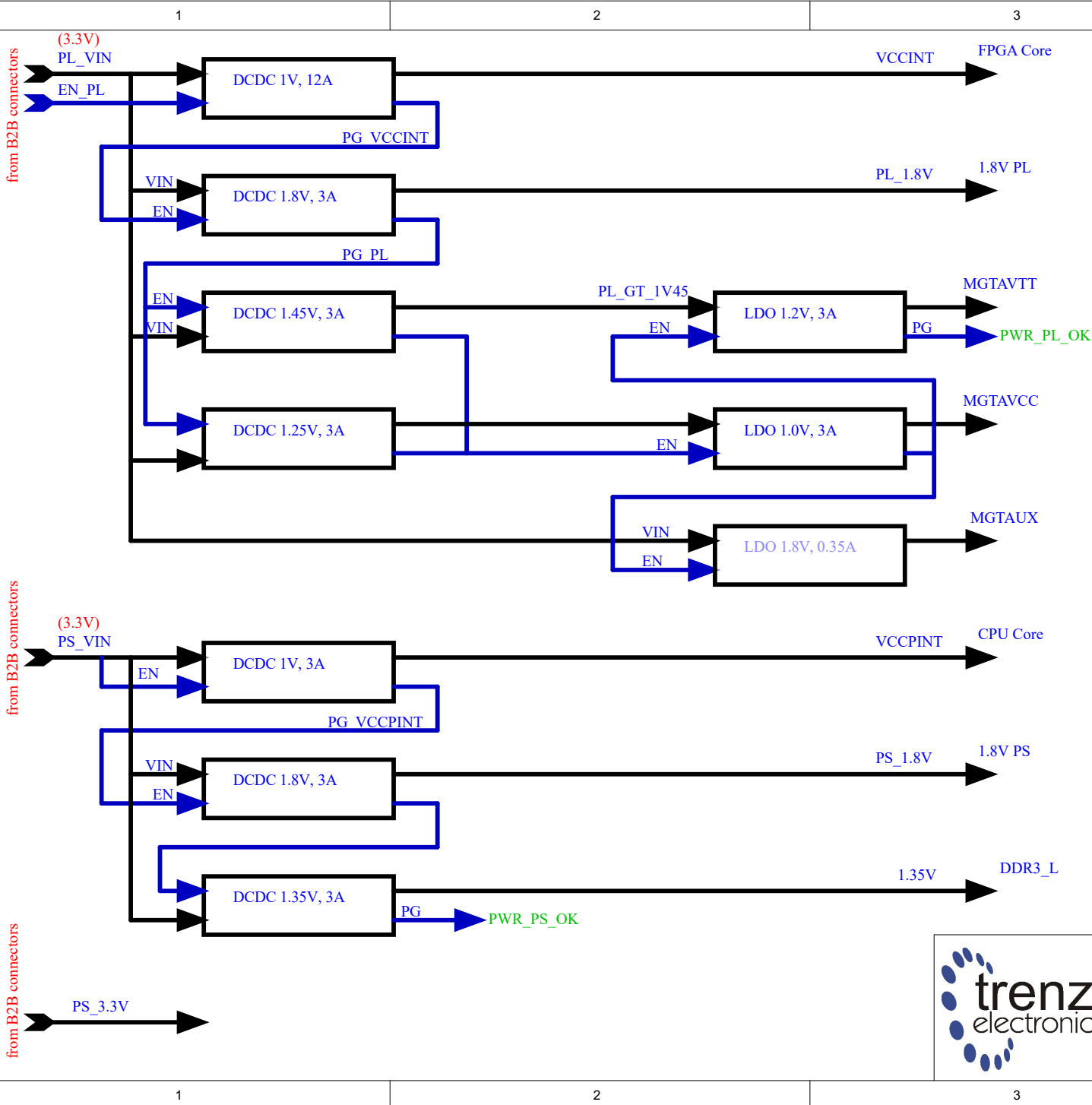
	Title: TE0745 - Power	
	A4	Number: 22 71131-AZ
	Date: 2016-04-28	Rev. 02
	Page 22 of 25	
Copyright: Trenz Electronic GmbH / TT		Page 22 of 25
Filename: POWER.SchDoc		



Title: TE0745 - Power2		
A4	Number: 23 71131-AZ	Rev. 02
Date: 2016-04-28	Copyright: Trenz Electronic GmbH / TT	Page23 of 25
Filename: POWER_2.SchDoc		



	Title: TE0745 - Power3		
	A4	Number: 24 71131-AZ	Rev. 02
	Date: 2016-04-28	Copyright: Trenz Electronic GmbH / TT	Page24 of 25
	Filename: POWER_3.SchDoc		



Title: TE0745 - Power overview		
A4	Number: 25 71131-AZ	Rev. 02
Date: 2015-07-01	Copyright: Trenz Electronic GmbH	Page 25 of 25
Filename: PowerOverview.SchDoc		