

1

2

3

4

CHANGES REV01 to REV02

- 1) MAC EEPROM Address patch fixed on PCB
- 2) lib components update

A

A

B

B


C

C

D

D

Assembly variant	72131-A
Created by	MR
Modified by	MR
Modified at	2021-02-19
SVN Version	8496

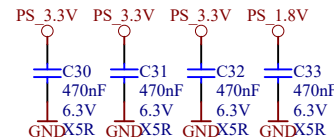
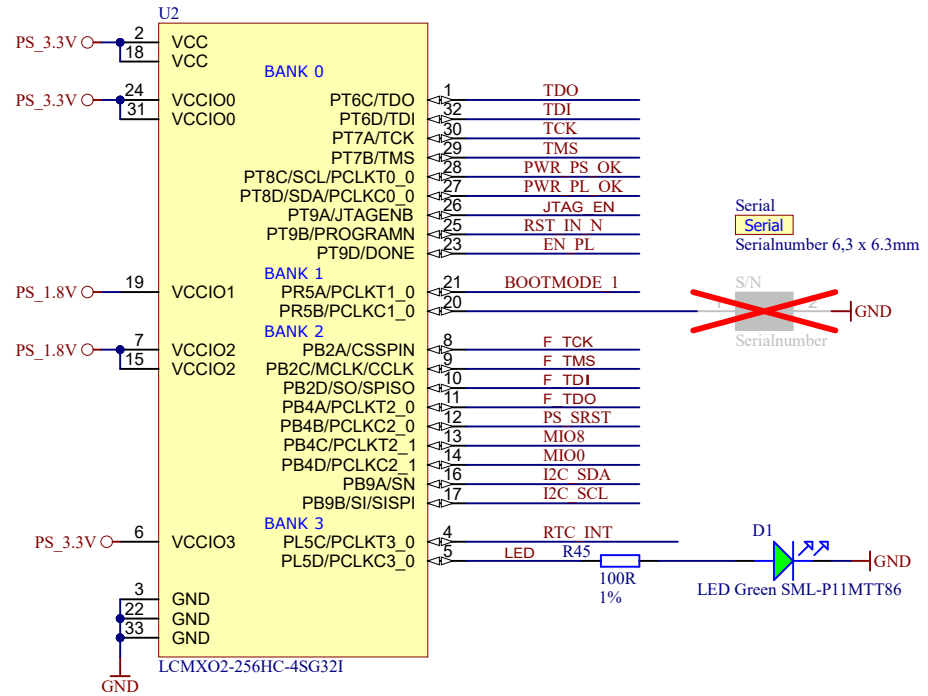
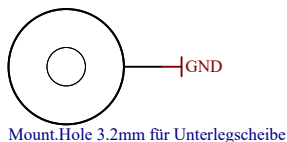
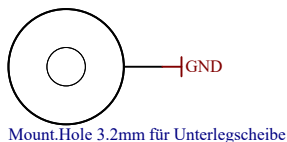
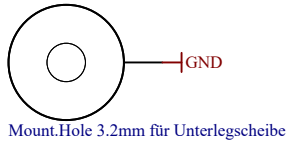
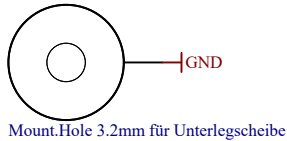
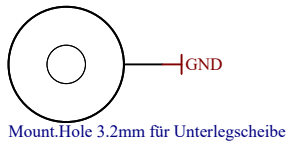
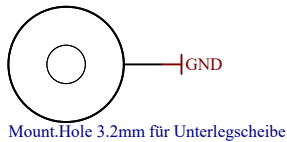
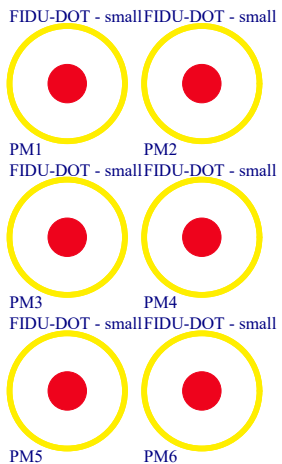
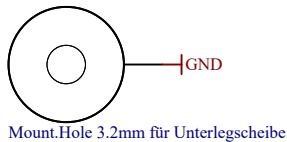
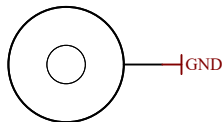
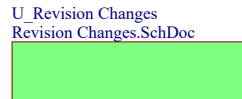
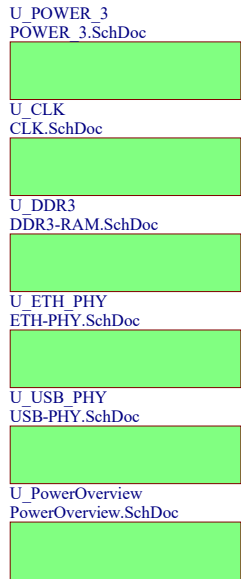
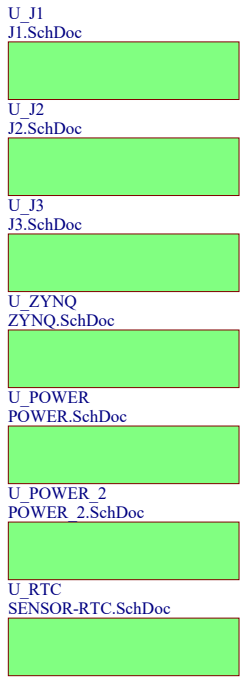
	Title: TE0745		
	A4	Number: 1 72131-A	Rev. 02
	Date: 2016-04-28	Copyright: Trenz Electronic GmbH / TT	Page 1 of 25
	Filename: Revision Changes.SchDoc		

1

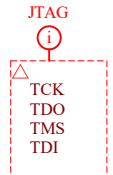
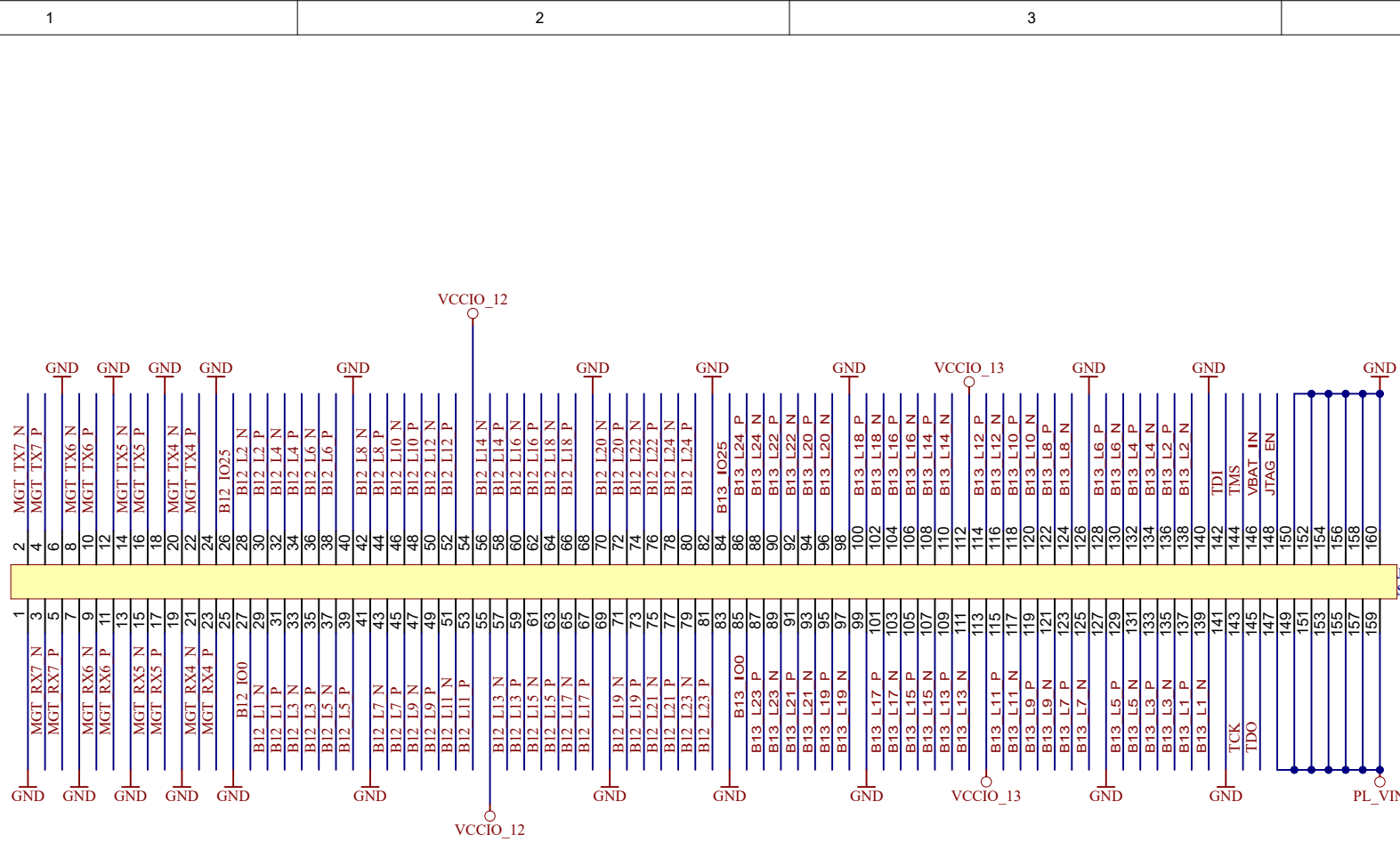
2

3

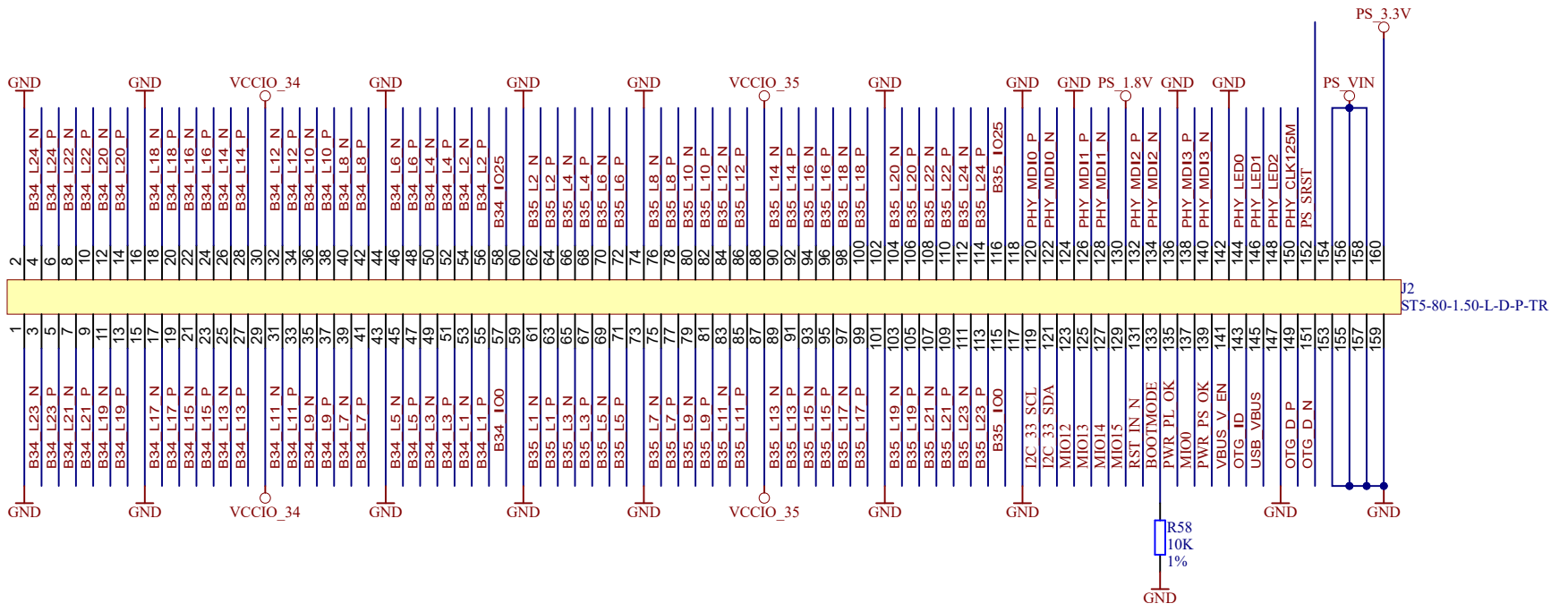
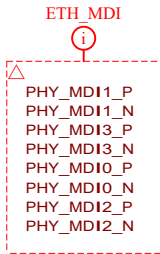
4




	Title: TE0745	
	A4	Number: 2 72131-A
	Date: 2016-04-28	Rev. 02
	Copyright: Trenz Electronic GmbH / TT	Page2 of 25
Filename: TE0745.SchDoc		

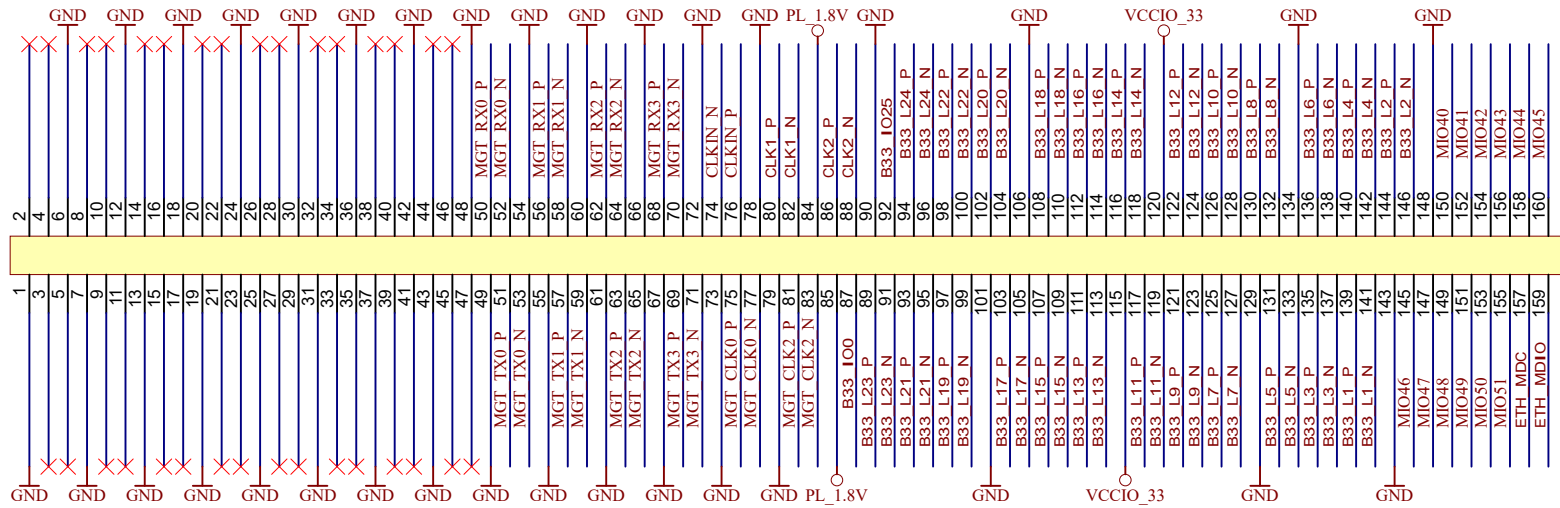


	Title: TE0745 - B2B connectors J1		
	A4	Number: 3 72131-A	Rev. 02
	Date: 2016-04-28	Copyright: Trenz Electronic GmbH / TT	Page3 of 25
	Filename: J1.SchDoc		




			Title: TE0745 - B2B connectors J2	
			A4	Number: 4 72I31-A
Date: 2016-04-28		Copyright: Trenz Electronic GmbH / TT		Page4 of 25
Filename: J2.SchDoc				

RESERVED for additional 8 GTX lanes



J3
ST5-80-1.50-L-D-P-TR

	Title: TE0745 - B2B connectors J3		
	A4	Number: 5 72I31-A	Rev. 02
	Date: 2016-04-28	Copyright: Trenz Electronic GmbH / TT	Page5 of 25
	Filename: J3.SchDoc		

1

2

3

4

U_B12
B12.SchDoc



U_B500
MIO_B500.SchDoc



U_B13
B13.SchDoc



U_PS_DDR
PS-DDR.SchDoc



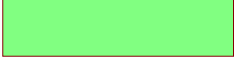
U_B33
B33.SchDoc



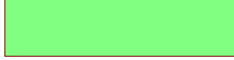
U_MISC
ZYNQ_MISC.SchDoc



U_B34
B34.SchDoc



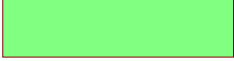
U_ZYNQ_POWER
ZYNQ_POWER.SchDoc



U_B35
B35.SchDoc



U_FPGA_MGT
FPGA_MGT.SchDoc



A

A

B

B

C

C

D


D

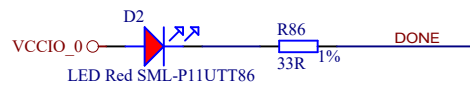
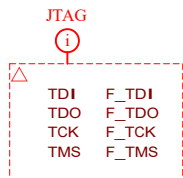
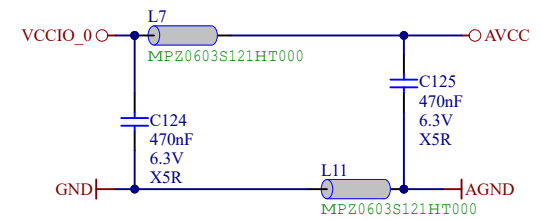
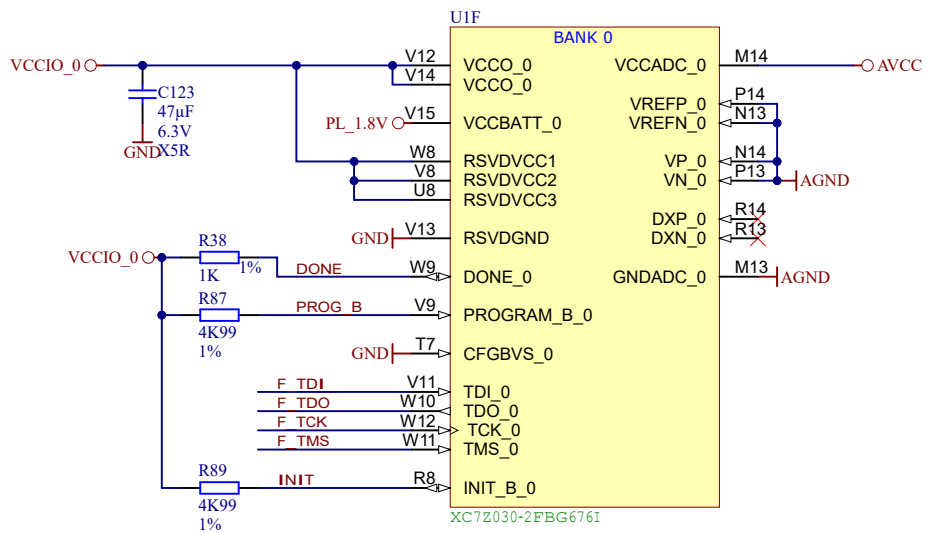
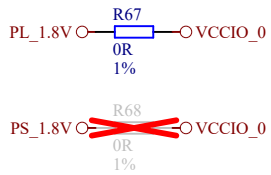
1

2

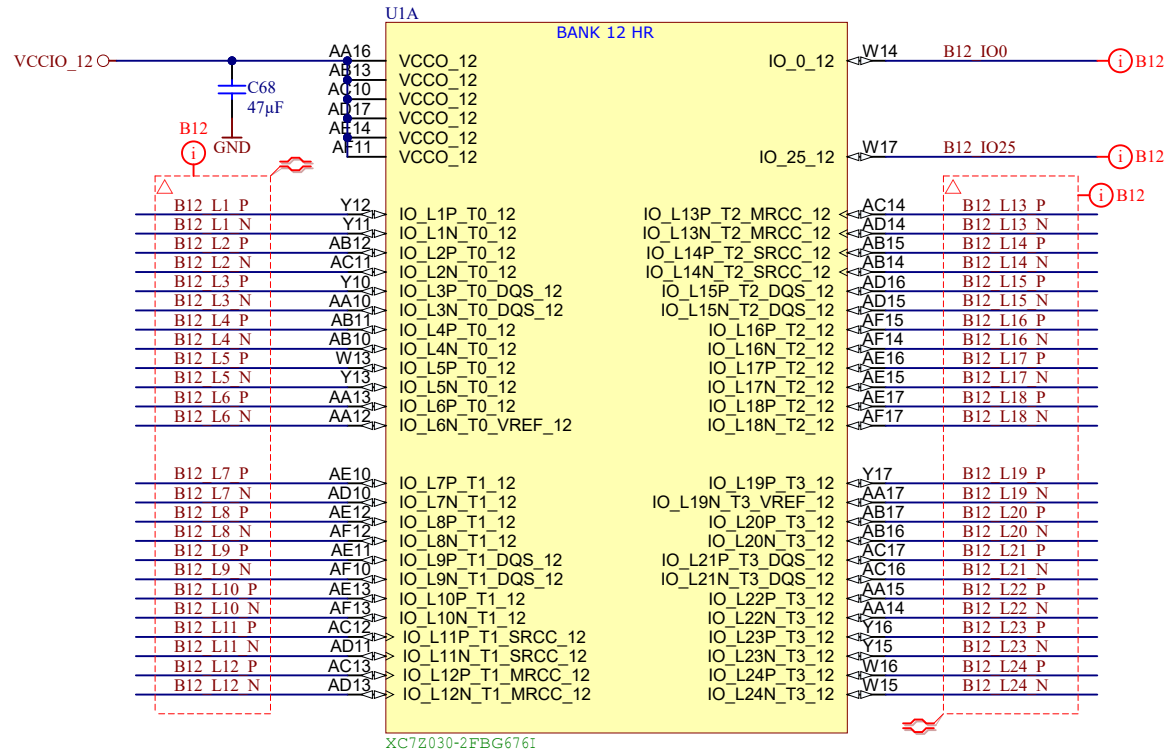
3

4

	Title: TE0745 - Zynq		
	A4	Number: 6 72131-A	Rev. 02
	Date: 2016-04-28	Copyright: Trenz Electronic GmbH / TT	Page6 of 25
	Filename: ZYNQ.SchDoc		



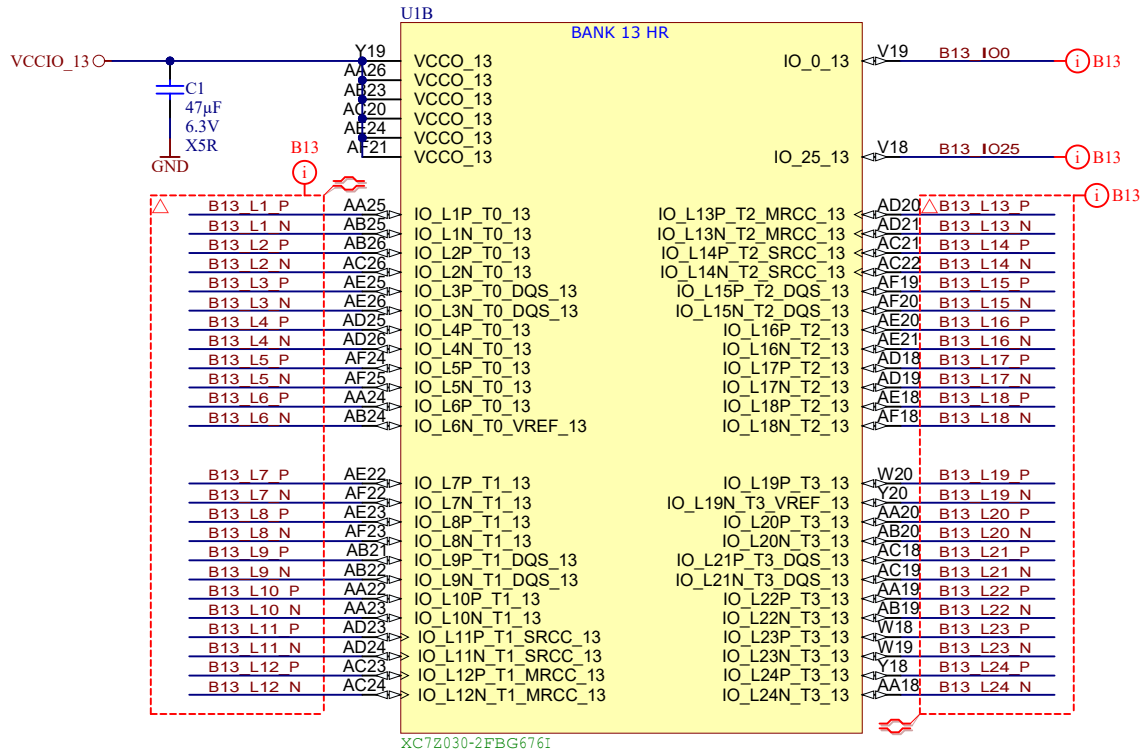
	Title: TE0745 - Zynq_MISC		
	A4	Number: 7 72131-A	Rev. 02
	Date: 2016-04-28	Copyright: Trenz Electronic GmbH / TT	Page 7 of 25
	Filename: ZYNQ_MISC.SchDoc		



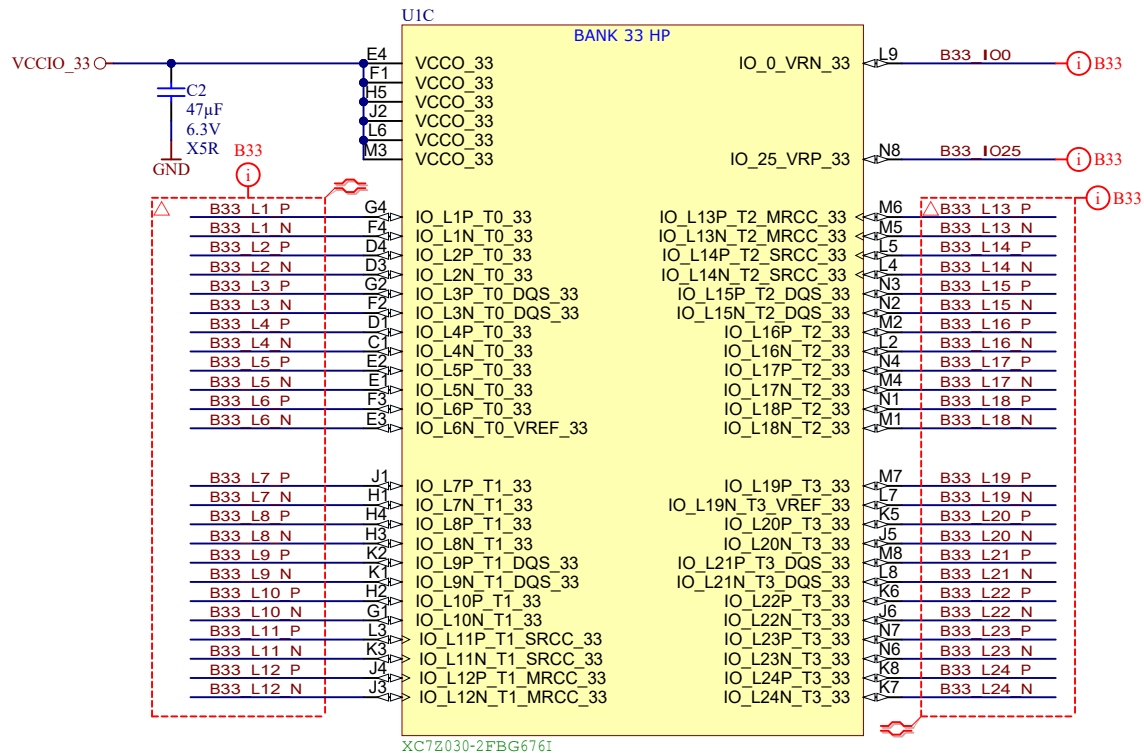
XC7Z030-2FBG6761




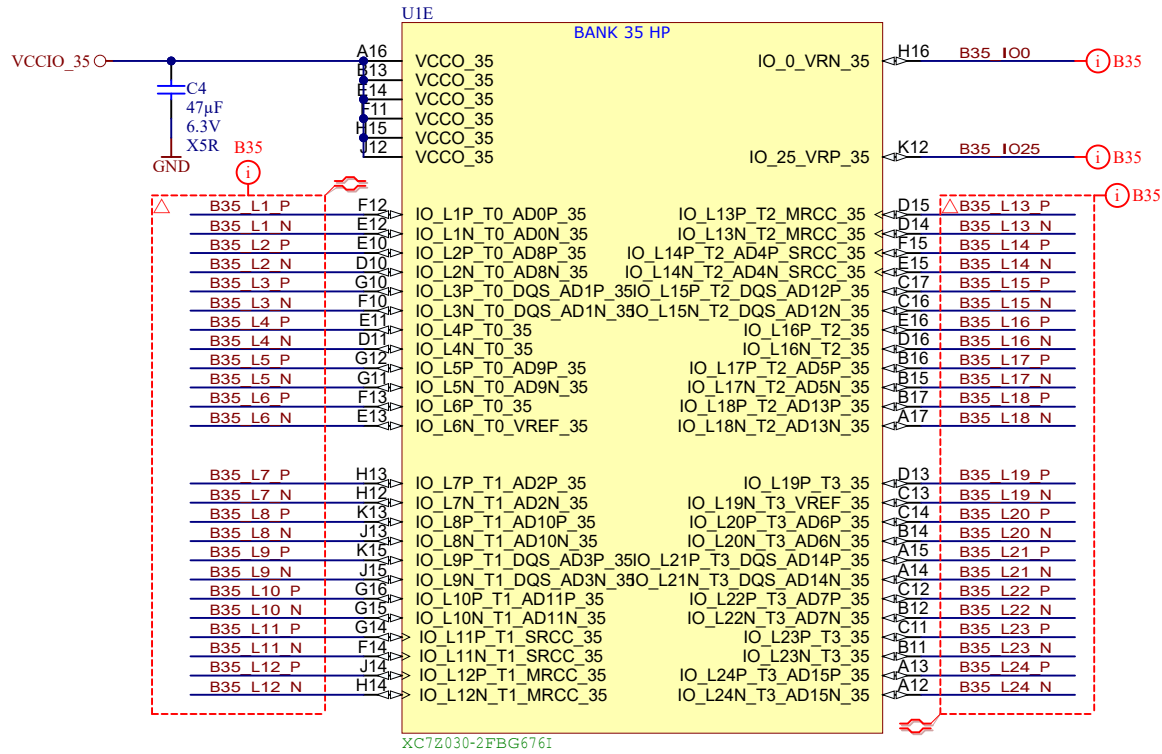
Title: TE0745 - Zynq_B12		
A4	Number: 8 72I31-A	Rev. 02
Date: 2016-04-28	Copyright: Trenz Electronic GmbH / TT	Page 8 of 25
Filename: B12.SchDoc		



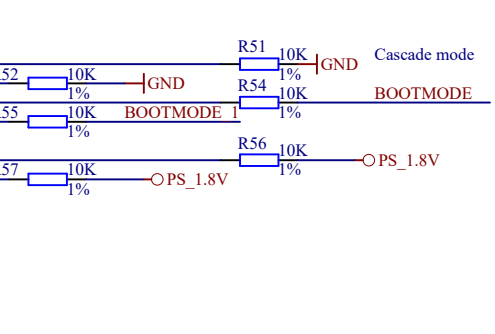
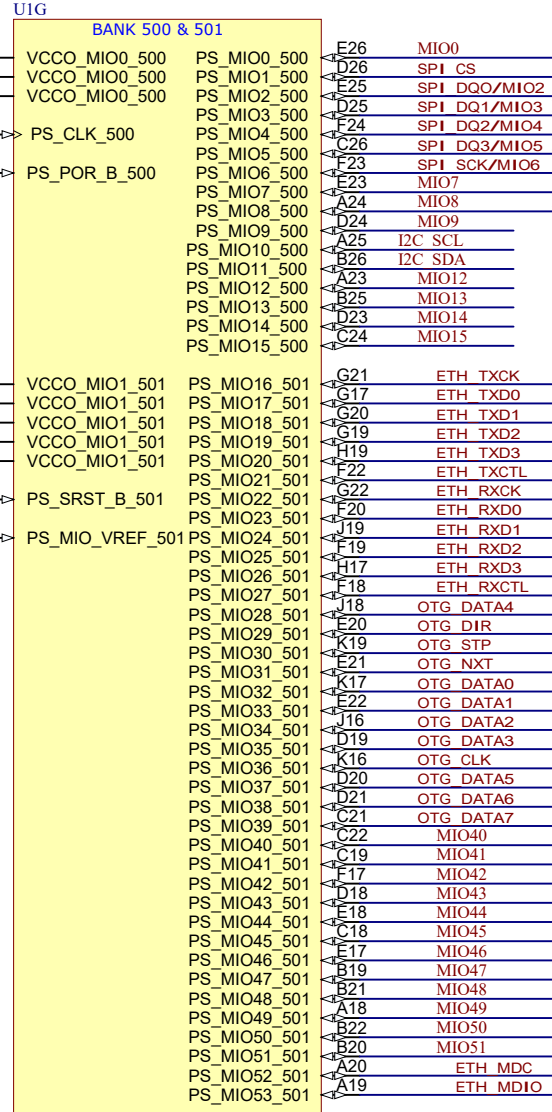
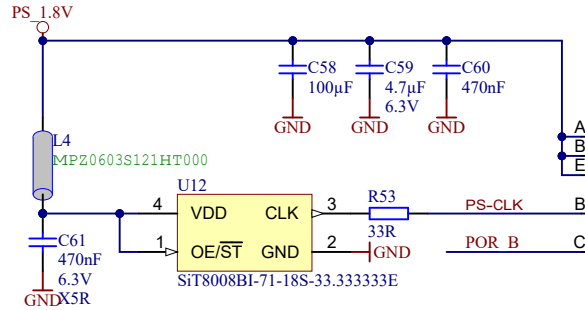
Title: TE0745 - Zynq_B13		
A4	Number: 9 72I31-A	Rev. 02
Date: 2016-04-28	Copyright: Trenz Electronic GmbH / TT	Page9 of 25
Filename: B13.SchDoc		



	Title: TE0745 - Zynq_B33		
	A4	Number: 10 72I31-A	Rev. 02
	Date: 2016-04-28	Copyright: Trenz Electronic GmbH / TT	Page 10 of 25
	Filename: B33.SchDoc		

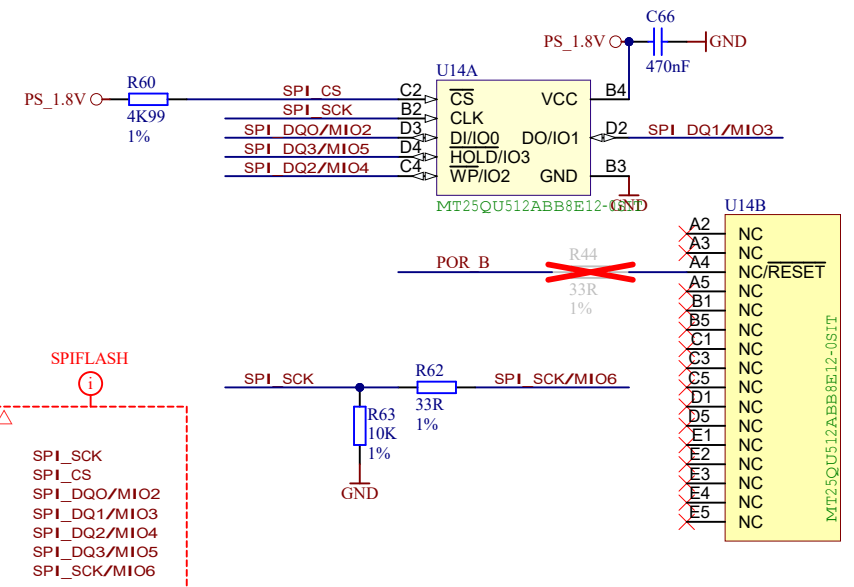
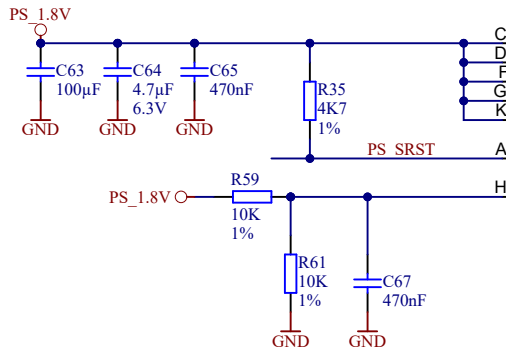


Title: TE0745 - Zynq_B35		
A4	Number: 12 72I31-A	Rev. 02
Date: 2016-04-28	Copyright: Trenz Electronic GmbH / TT	Page 12 of 25
Filename: B35.SchDoc		

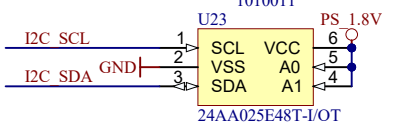


MIO Bank Voltage	MIO7 Bank0	MIO8 Bank1
2.5V, 3.3V	0	0
1.8V	1	1

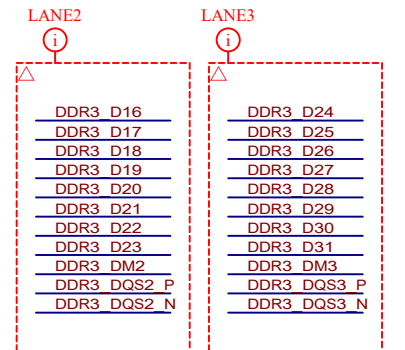
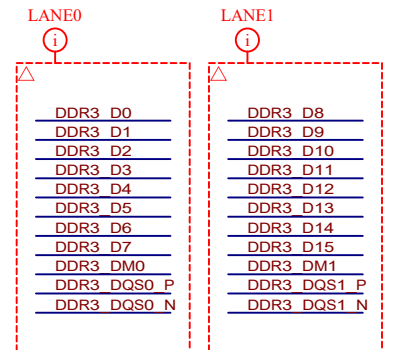
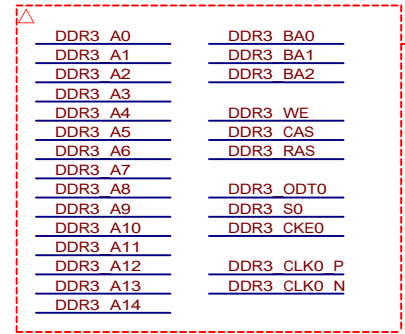
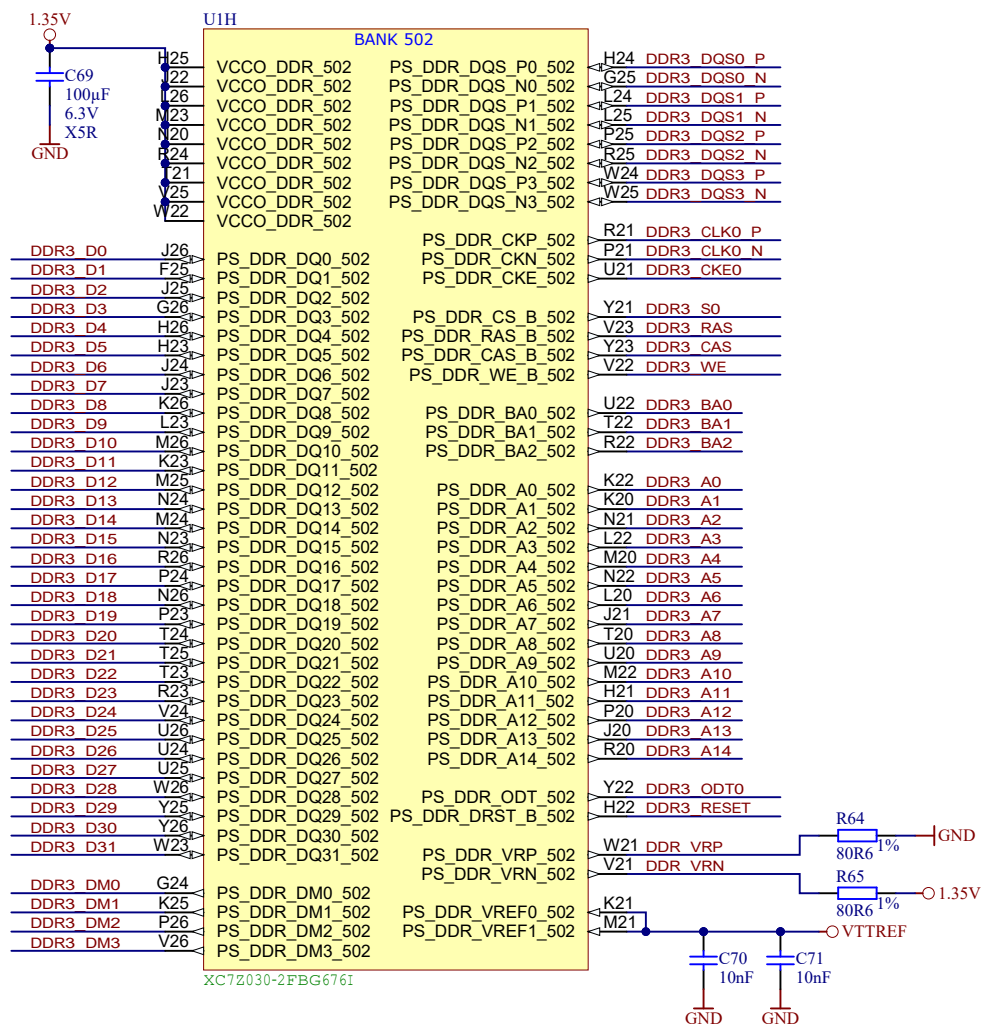
BOOT MODE	MIO5 MIO4	MIO3
JTAG Boot Mode	0	0
NOR Boot	0	1
NAND	0	1
Quad-SPI	1	0
SD Card	1	1



EEPROM for MAC
Slave ADDR:
1010011

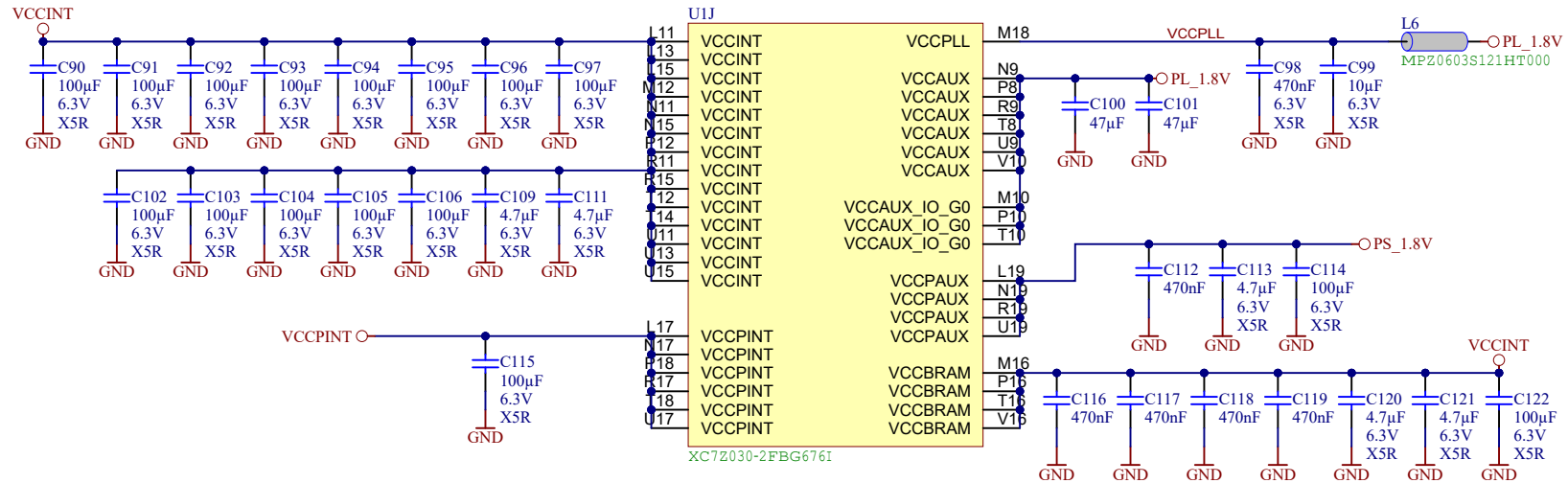
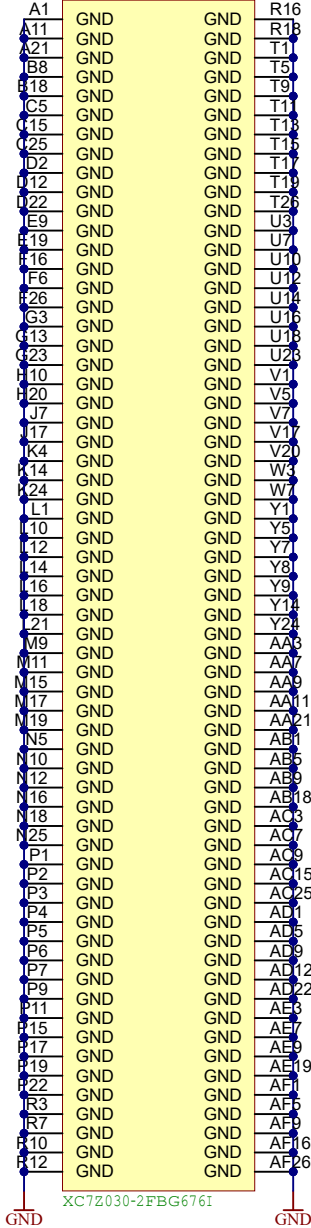


Title: TE0745 - Zynq_MIO_Banks		
A4	Number: 14 72131-A	Rev. 02
Date: 2016-04-28	Copyright: Trenz Electronic GmbH / TT	Page 14 of 25
Filename: MIO_B500.SchDoc		



Title: TE0745 - Zynq_PS_DDR		
A4	Number: 15 72131-A	Rev. 02
Date: 2016-04-28	Copyright: Trenz Electronic GmbH / TT	Page 15 of 25
Filename: PS-DDR.SchDoc		

UIK



Title: TE0745 - Zynq_Power		
A4	Number: 16 72I31-A	Rev. 02
Date: 2016-04-28	Copyright: Trenz Electronic GmbH / TT	Page 16 of 25
Filename: ZYNC_POWER.SchDoc		

A

A

B

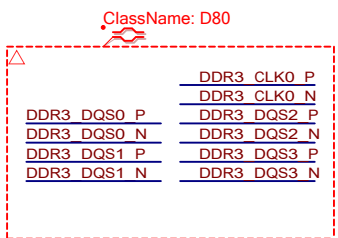
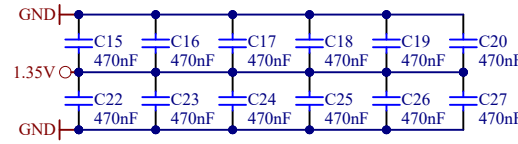
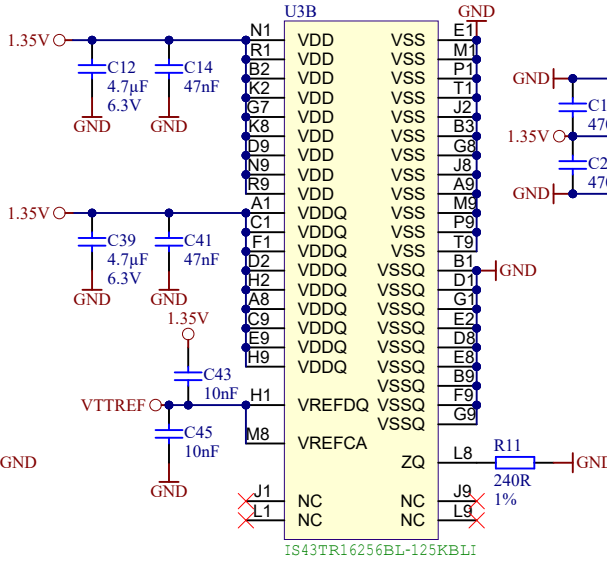
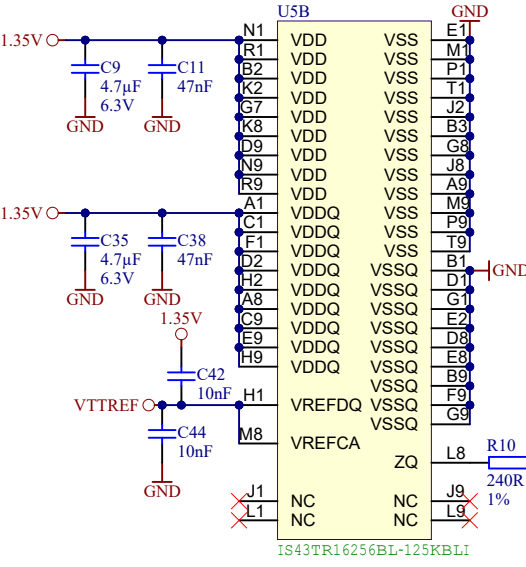
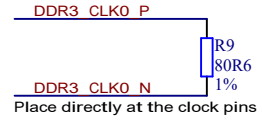
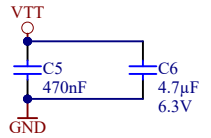
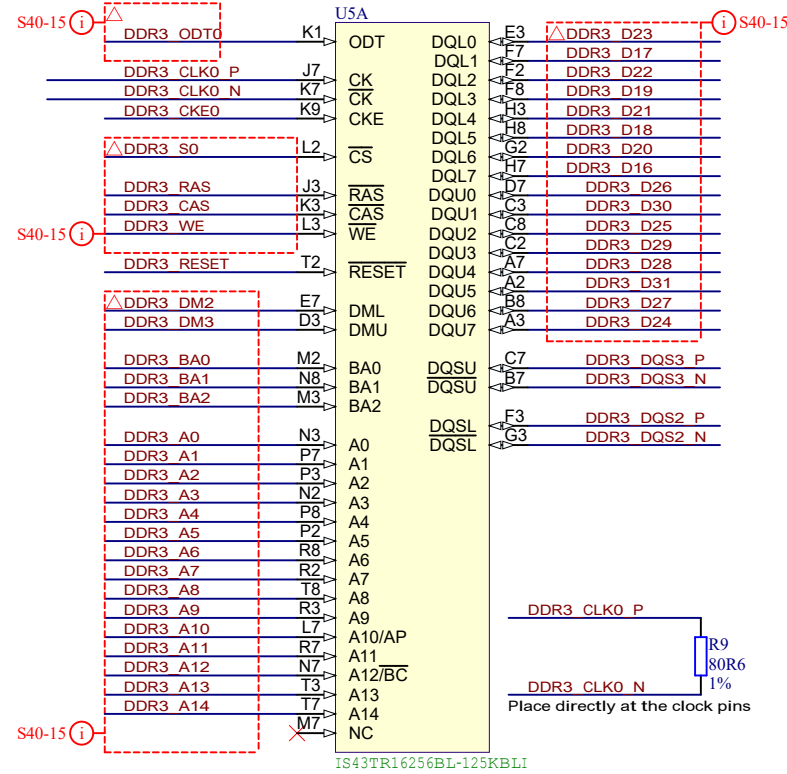
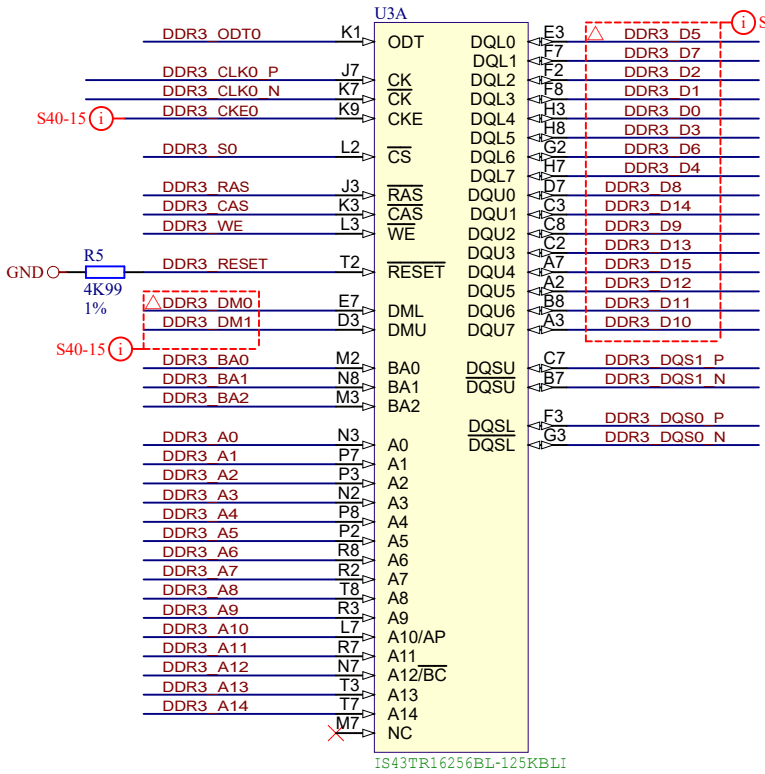
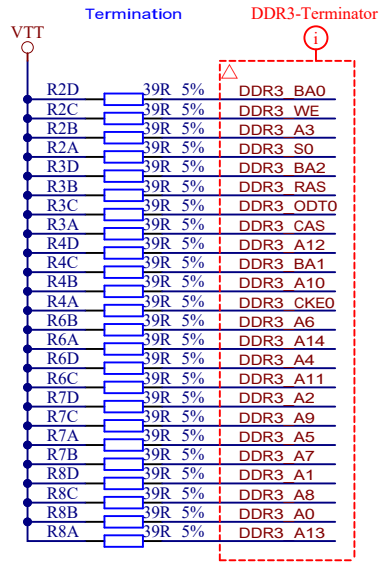
B

C

C

D

D



Title: TE0745 - DDR3 RAM		
A4	Number: 17 72I31-A	Rev. 02
Date: 2016-04-28	Copyright: Trenz Electronic GmbH	Page 17 of 25
Filename: DDR3-RAM.SchDoc		

1

2

3

4

A

A

B

B

C

C

D

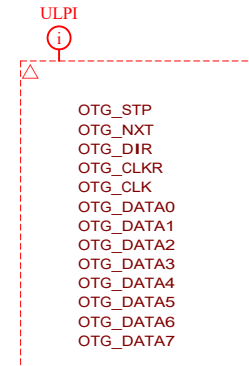
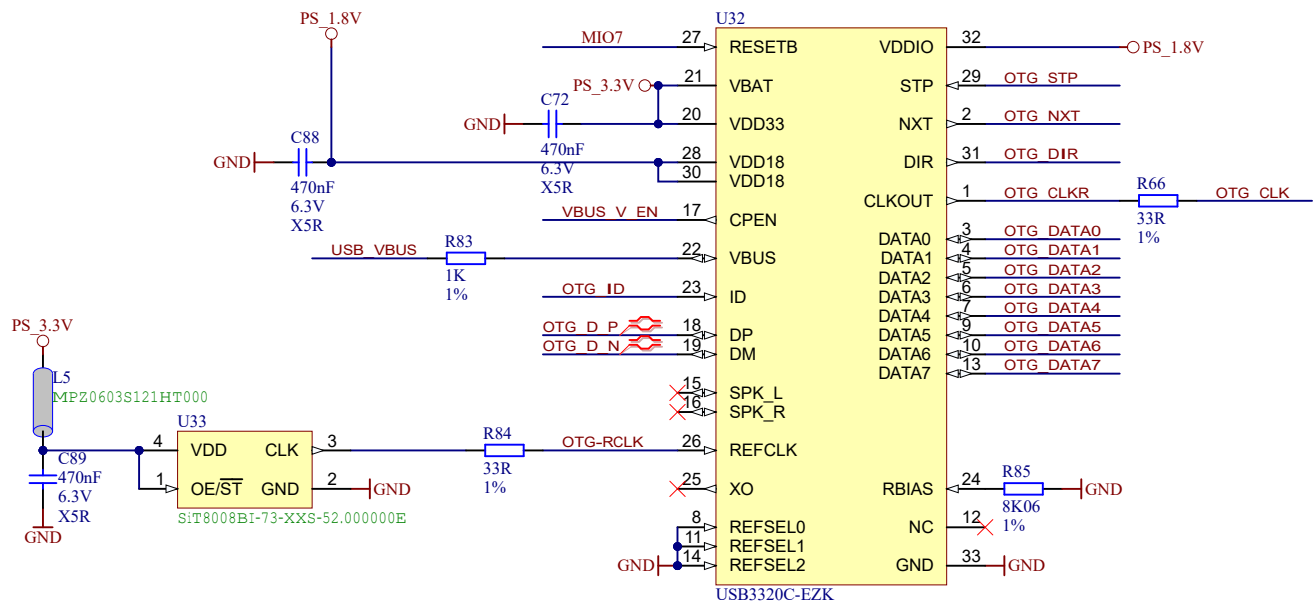
D

1

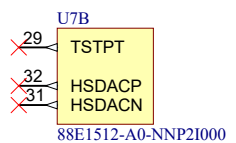
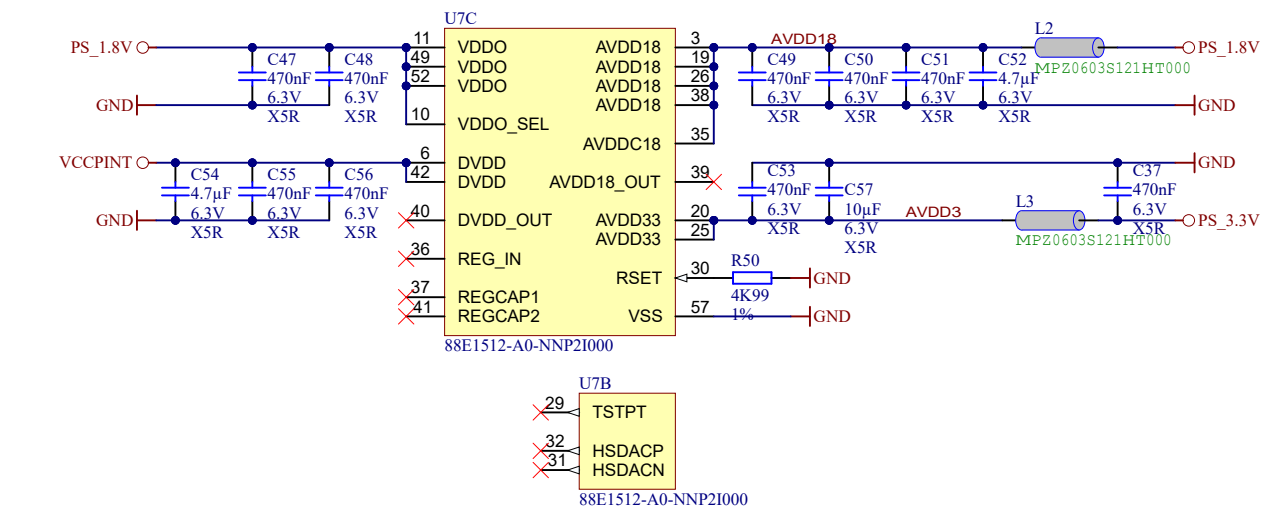
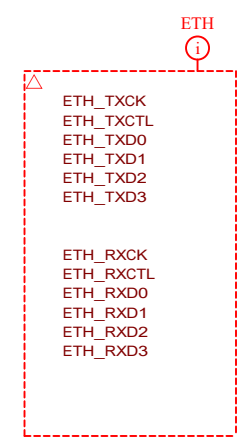
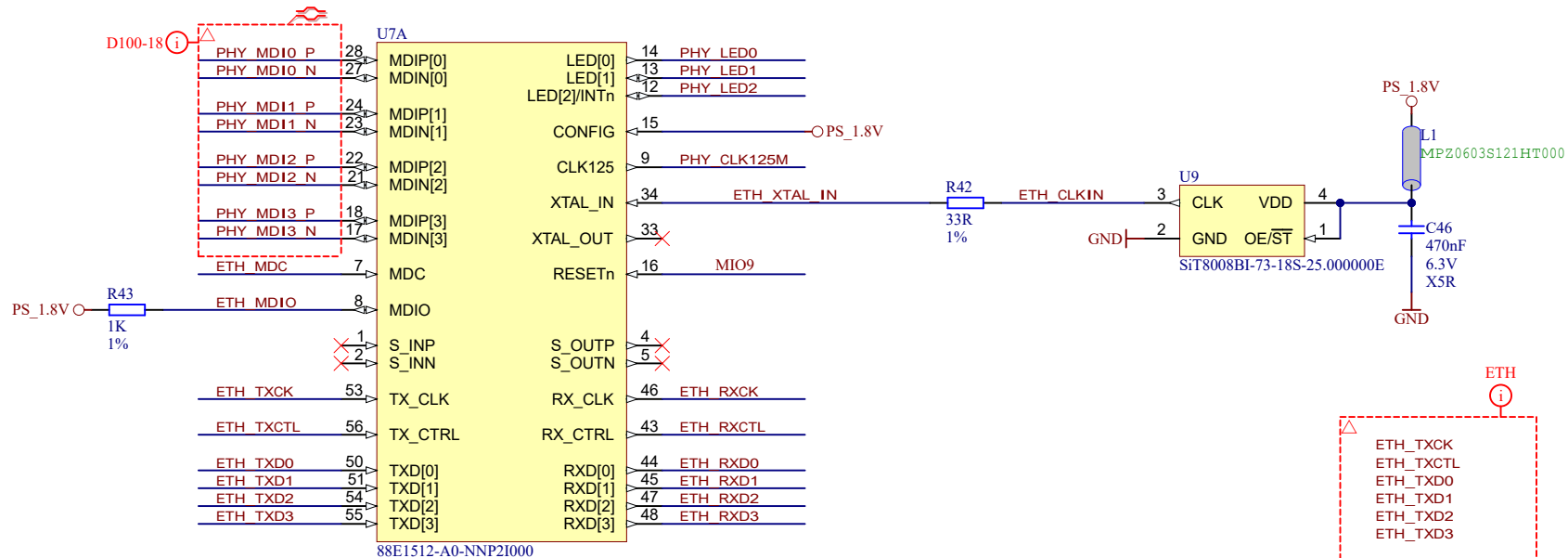
2

3

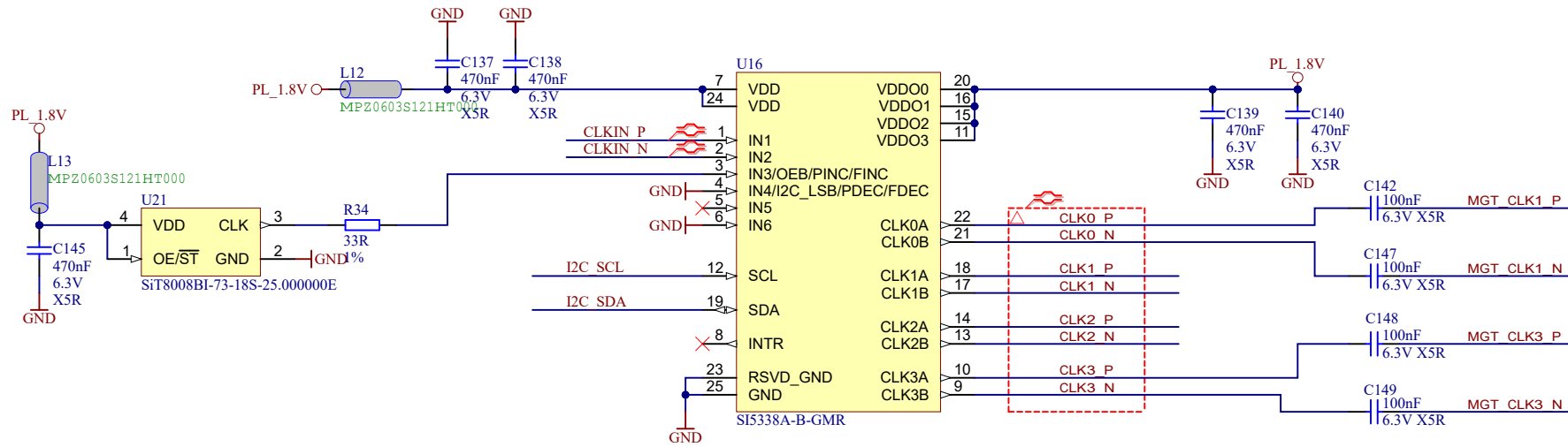
4




	Title: TE0745 - USB_PHY		
	A4	Number: 18 72I31-A	Rev. 02
	Date: 2016-04-28	Copyright: Trenz Electronic GmbH / TT	Page 18 of 25
	Filename: USB-PHY.SchDoc		

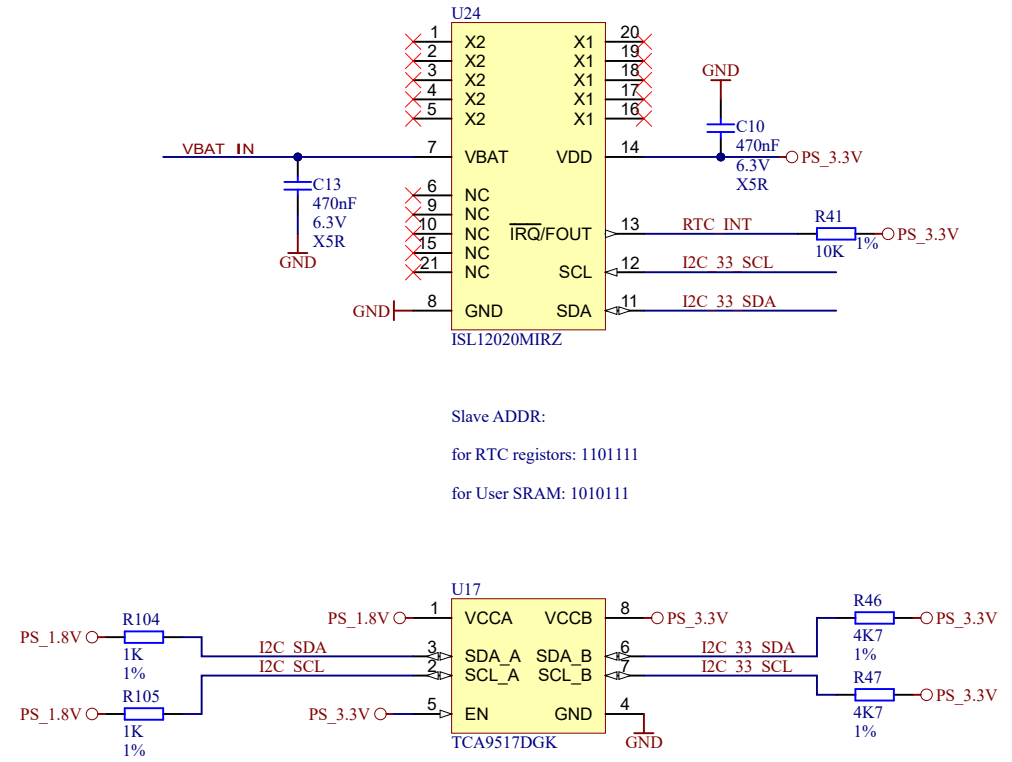


Title: TE0745 - ETH_PHY		
A4	Number: 19 72131-A	Rev. 02
Date: 2016-04-28	Copyright: Trenz Electronic GmbH / TT	Page 19 of 25
Filename: ETH-PHY.SchDoc		



Slave ADDR:
1110000 OR 1110001

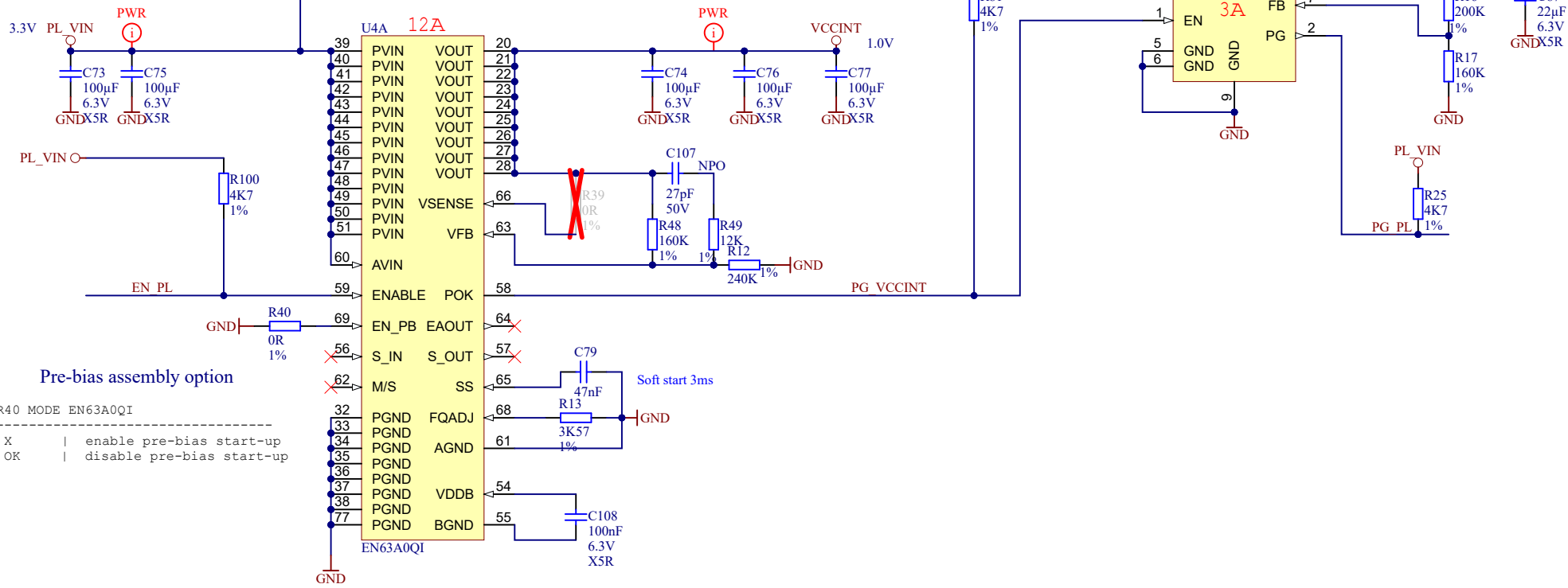
		Title: TE0745 - CLK	
		A4	Number: 20 72131-A
Date: 2016-04-28		Copyright: Trenz Electronic GmbH / TT	
Filename: CLK.SchDoc		Page 20 of 25	



Slave ADDR:
 for RTC registers: 1101111
 for User SRAM: 1010111



Title: TE0745 - RTC		
A4	Number: 21 72131-A	Rev. 02
Date: 2016-04-28	Copyright: Trenz Electronic GmbH / TT	Page 21 of 25
Filename: SENSOR-RTC.SchDoc		



Pre-bias assembly option

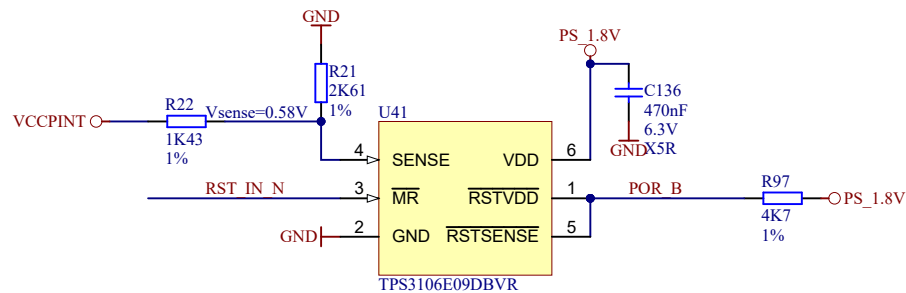
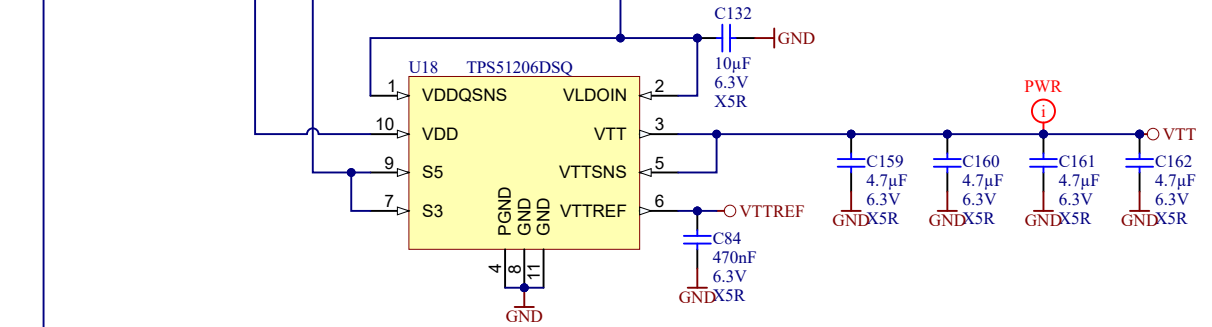
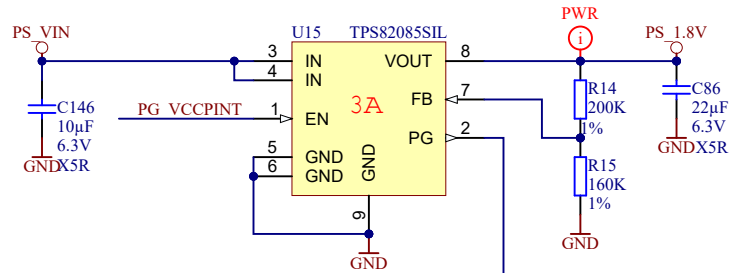
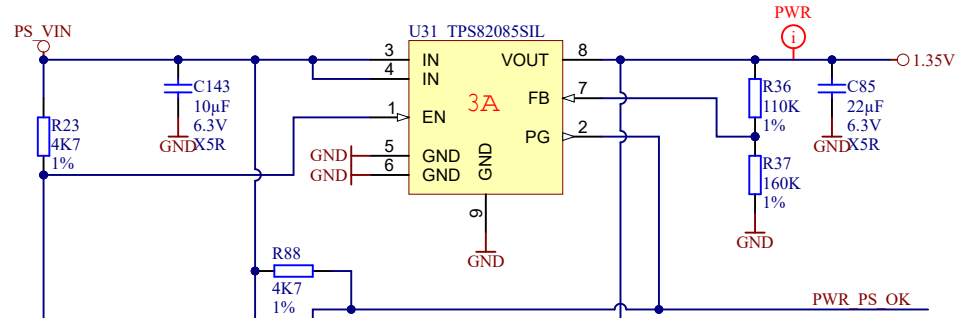
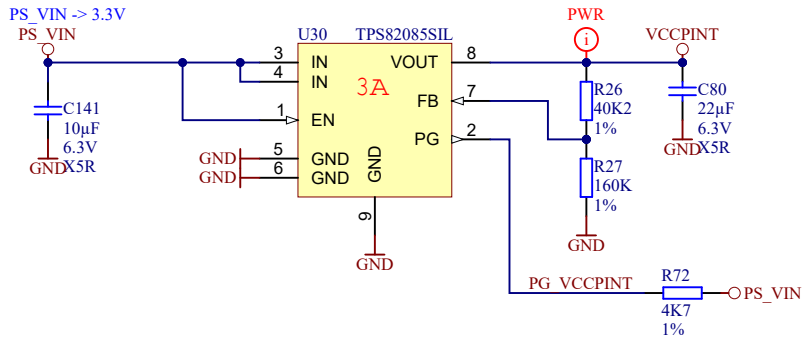
R39 R40 MODE EN63A0QI


OK X | enable pre-bias start-up
 X OK | disable pre-bias start-up

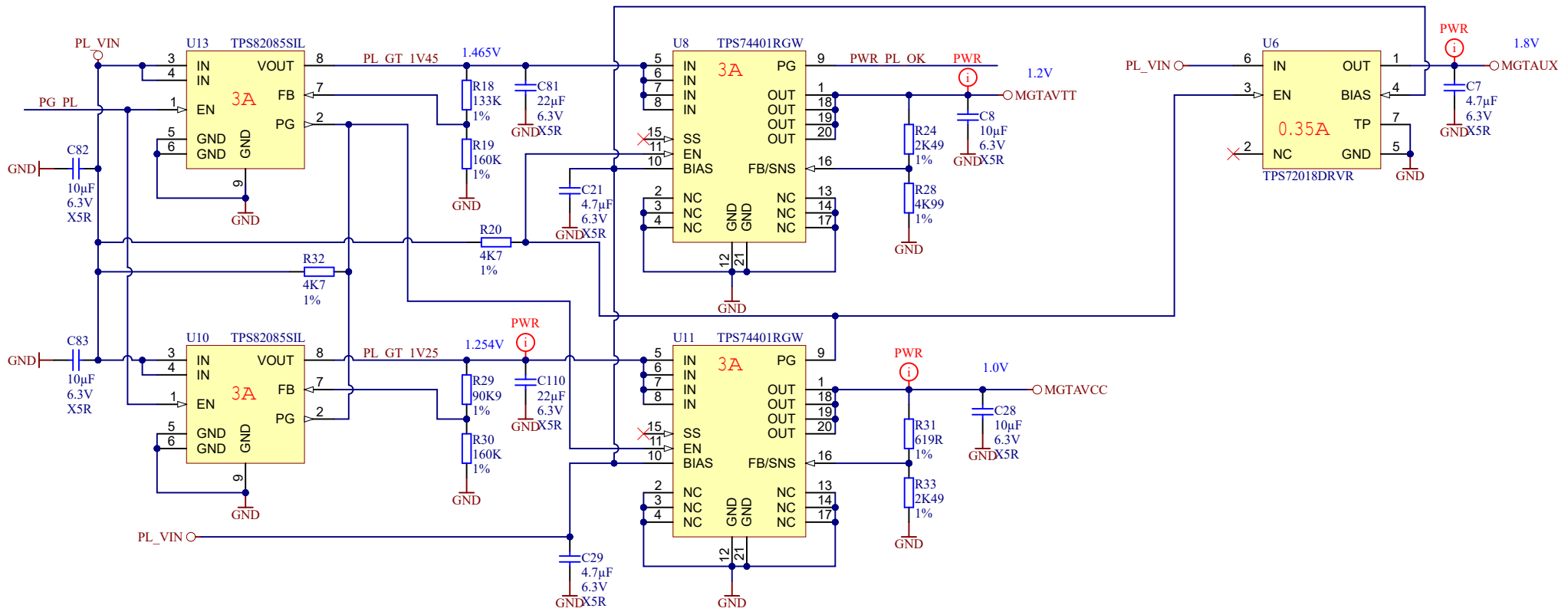
U4B			
1	NC	NC	17
2	NC	NC	18
3	NC	NC	19
4	NC	NC	29
5	NC	NC(SW)	30
6	NC	NC(SW)	31
7	NC	NC	52
8	NC	NC	53
9	NC	NC	67
10	NC	NC(SW)	70
11	NC	NC(SW)	71
12	NC	NC	72
13	NC	NC	73
14	NC	NC	74
15	NC	NC	75
16	NC	NC	76

EN63A0QI

	Title: TE0745 - Power		
	A4	Number: 22 72I31-A	Rev. 02
	Date: 2016-04-28	Copyright: Trenz Electronic GmbH / TT	Page 22 of 25
	Filename: POWER.SchDoc		



		Title: TE0745 - Power2	
		A4	Number: 23 72131-A
Date: 2016-04-28		Copyright: Trenz Electronic GmbH / TT	
Page 23 of 25		Page 23 of 25	
Filename: POWER_2.SchDoc			



	Title: TE0745 - Power3		
	A4	Number: 24 72131-A	Rev. 02
	Date: 2016-04-28	Copyright: Trenz Electronic GmbH / TT	Page24 of 25
	Filename: POWER_3.SchDoc		

