

1

2

3

4

CHANGES REV01 to REV02

- 1) MAC EEPROM Address patch fixed on PCB
- 2) lib components update

A

A

B

B


C

C

D

D

Assembly variant	73E31-A
Created by	VY
Modified by	MR
Modified at	2021-02-19
SVN Version	8496

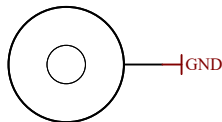
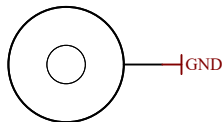
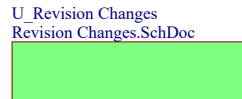
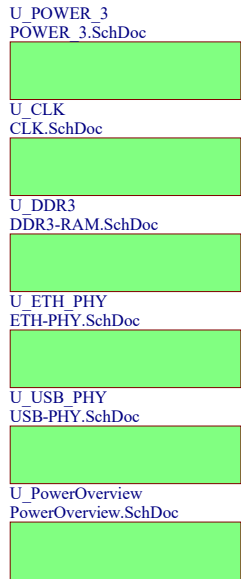
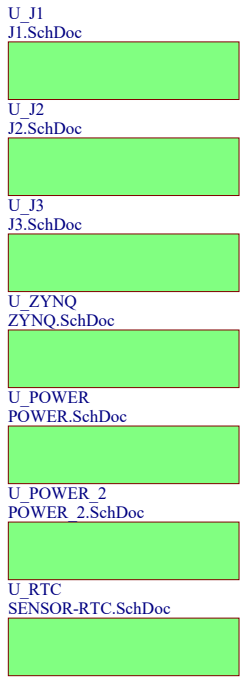
	Title: <b>TE0745</b>	
	A4	Number: <b>1</b> <b>73E31-A</b>
	Date: <b>2016-04-28</b>	Copyright: <b>Trenz Electronic GmbH / TT</b>
	Rev. <b>02</b>	
Filename: <b>Revision Changes.SchDoc</b>		Page <b>1</b> of <b>25</b>

1

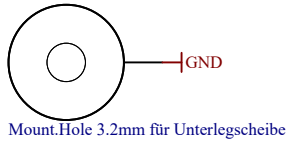
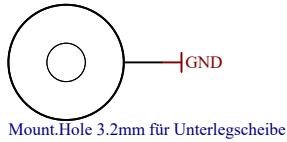
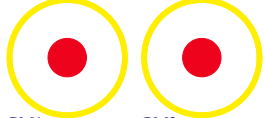
2

3

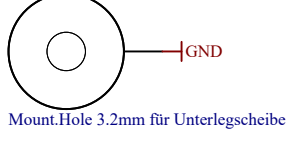
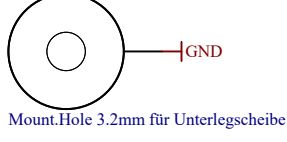
4



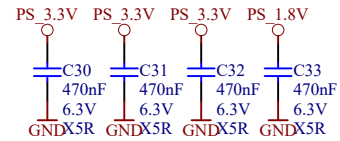
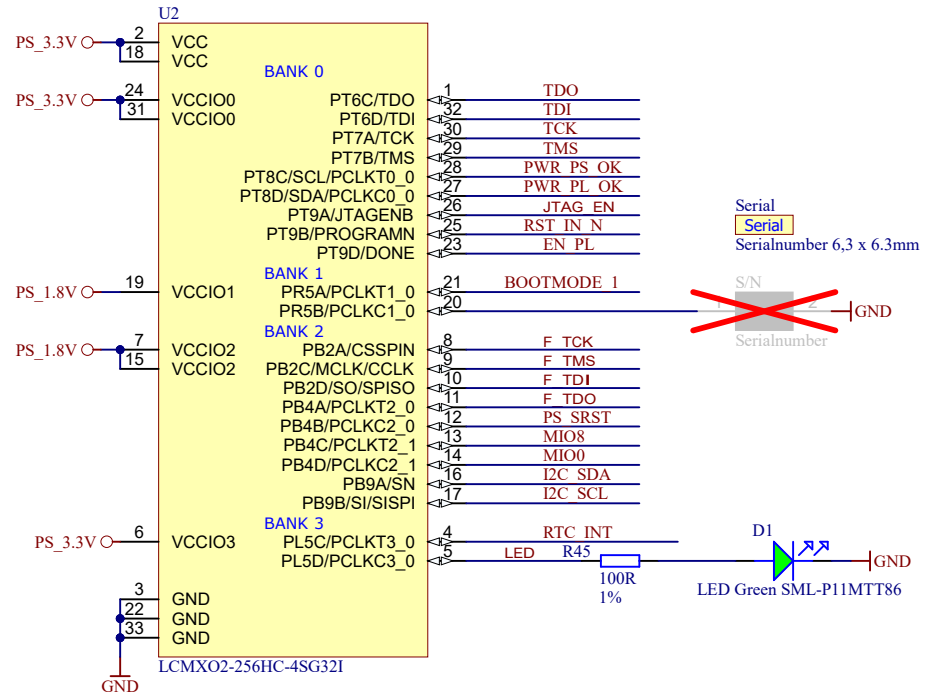
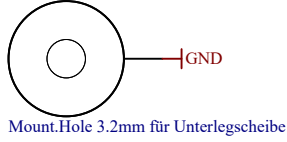
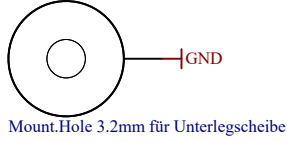
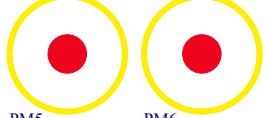
FIDU-DOT - small FIDU-DOT - small



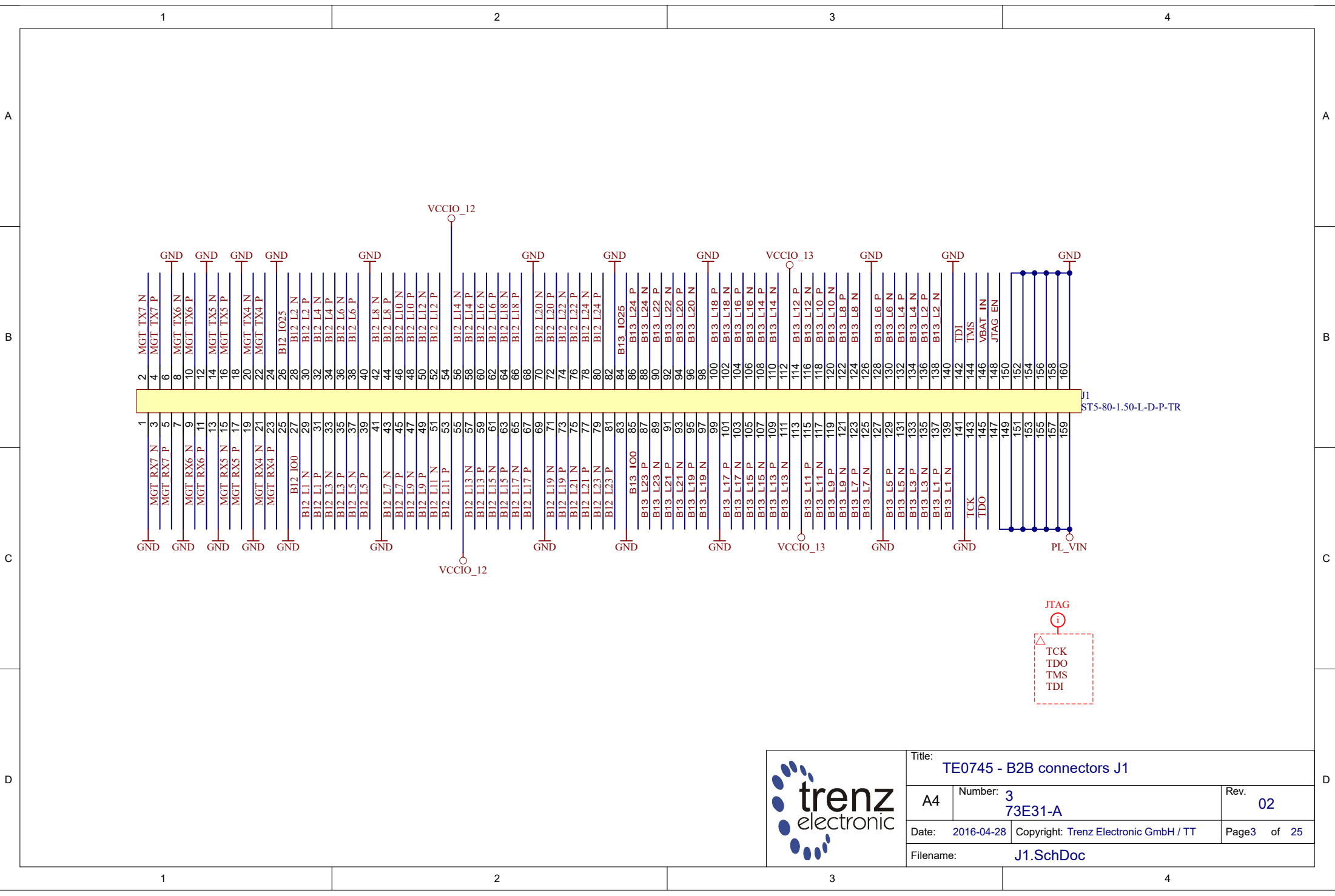
FIDU-DOT - small FIDU-DOT - small



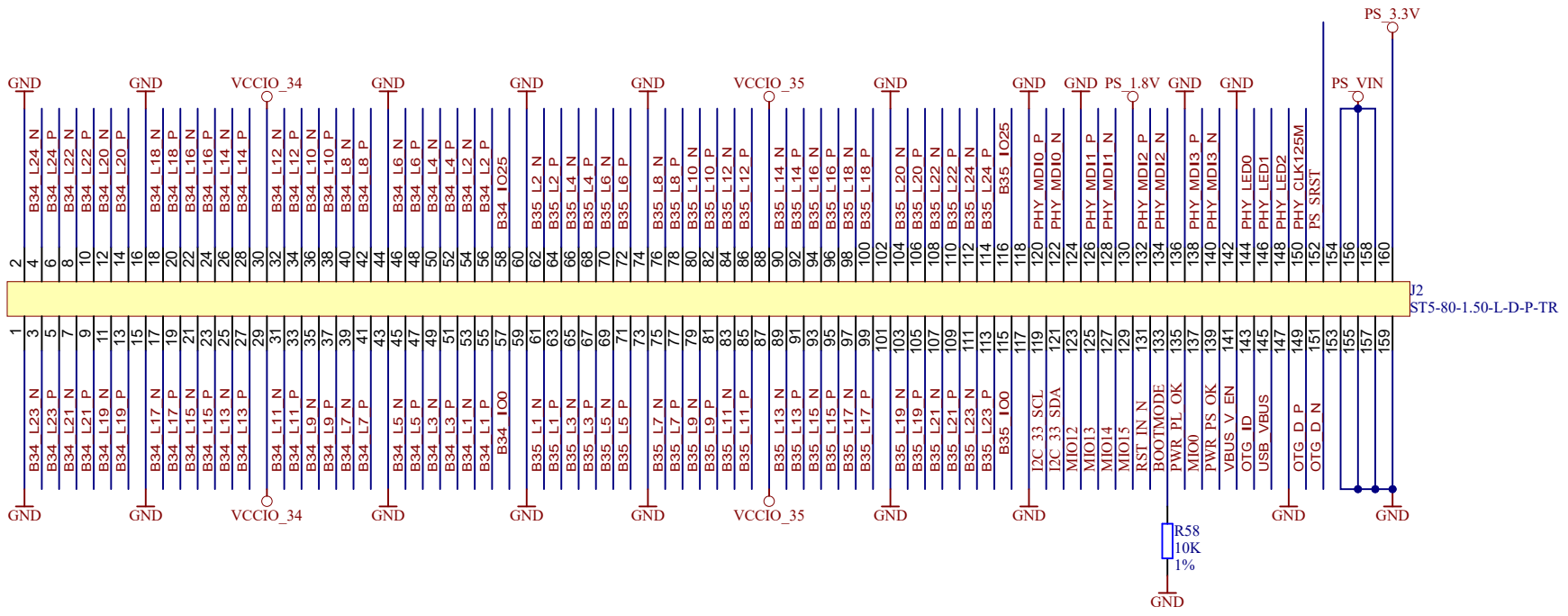
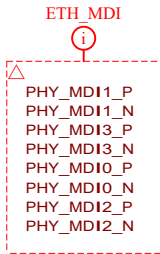

FIDU-DOT - small FIDU-DOT - small



	Title: TE0745		
	A4	Number: 2 73E31-A	Rev. 02
	Date: 2016-04-28	Copyright: Trenz Electronic GmbH / TT	Page2 of 25
	Filename: TE0745.SchDoc		

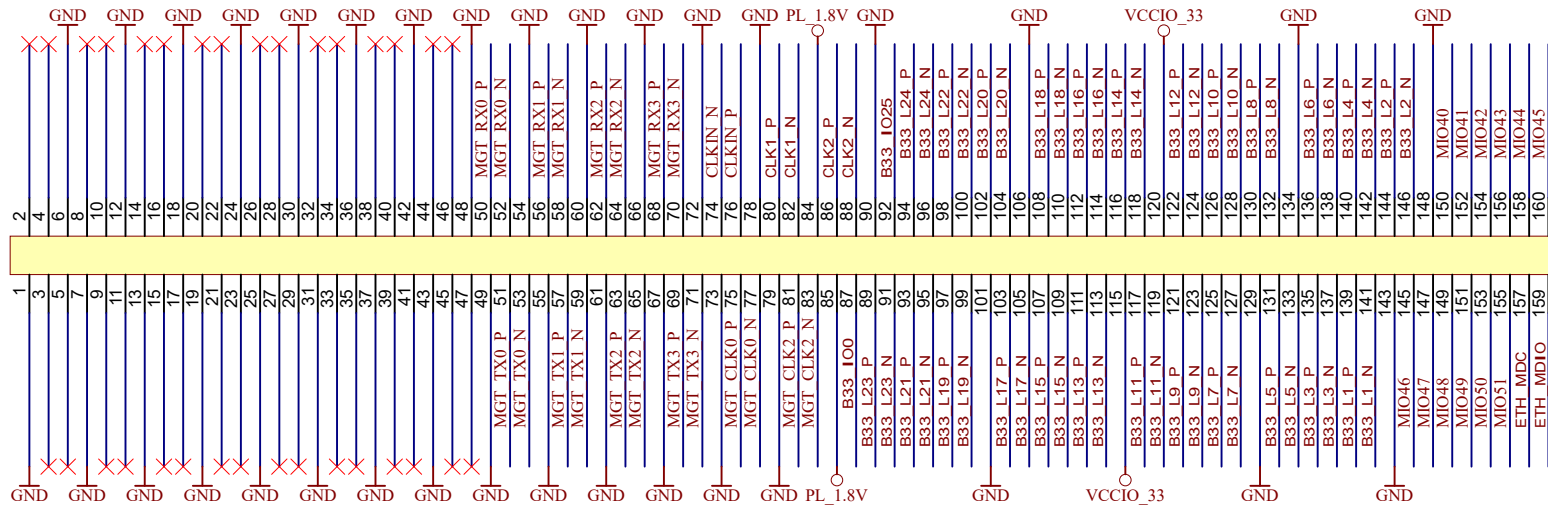


	Title: TE0745 - B2B connectors J1	
	A4	Number: 3 73E31-A
	Date: 2016-04-28	Copyright: Trenz Electronic GmbH / TT
	Rev. 02	Page3 of 25
Filename: J1.SchDoc		





Title: TE0745 - B2B connectors J2		
A4	Number: 4 73E31-A	Rev. 02
Date: 2016-04-28	Copyright: Trenz Electronic GmbH / TT	Page4 of 25
Filename: J2.SchDoc		

RESERVED for additional 8 GTX lanes



J3  
ST5-80-1.50-L-D-P-TR



Title: TE0745 - B2B connectors J3		
A4	Number: 5 73E31-A	Rev. 02
Date: 2016-04-28	Copyright: Trenz Electronic GmbH / TT	Page5 of 25
Filename: J3.SchDoc		

1

2

3

4

U\_B12  
B12.SchDoc



U\_B500  
MIO\_B500.SchDoc



U\_B13  
B13.SchDoc



U\_PS\_DDR  
PS-DDR.SchDoc



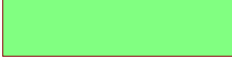
U\_B33  
B33.SchDoc



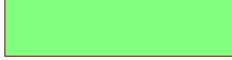
U\_MISC  
ZYNQ\_MISC.SchDoc



U\_B34  
B34.SchDoc



U\_ZYNQ\_POWER  
ZYNQ\_POWER.SchDoc



U\_B35  
B35.SchDoc



U\_FPGA\_MGT  
FPGA\_MGT.SchDoc



A

A

B

B

C

C

D


D

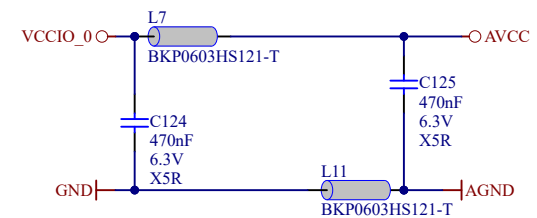
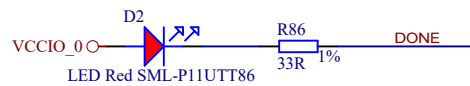
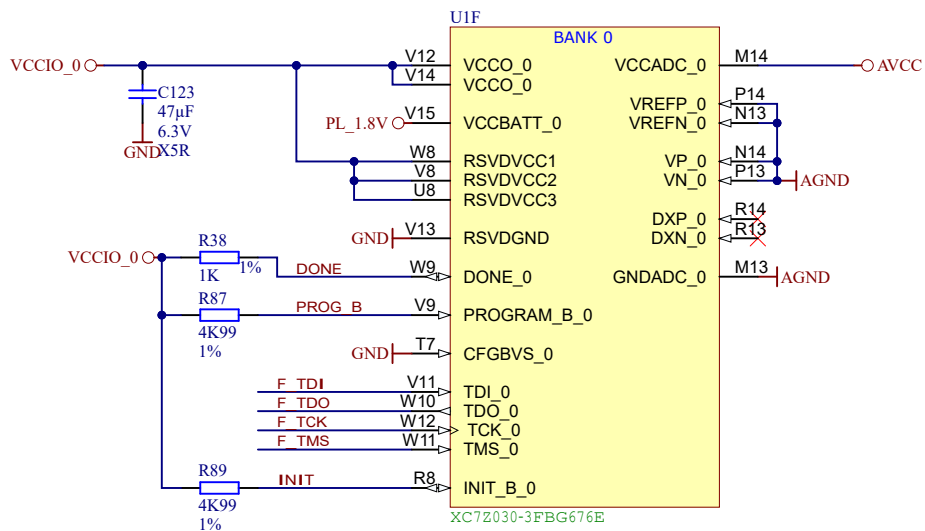
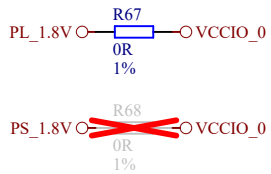
1

2

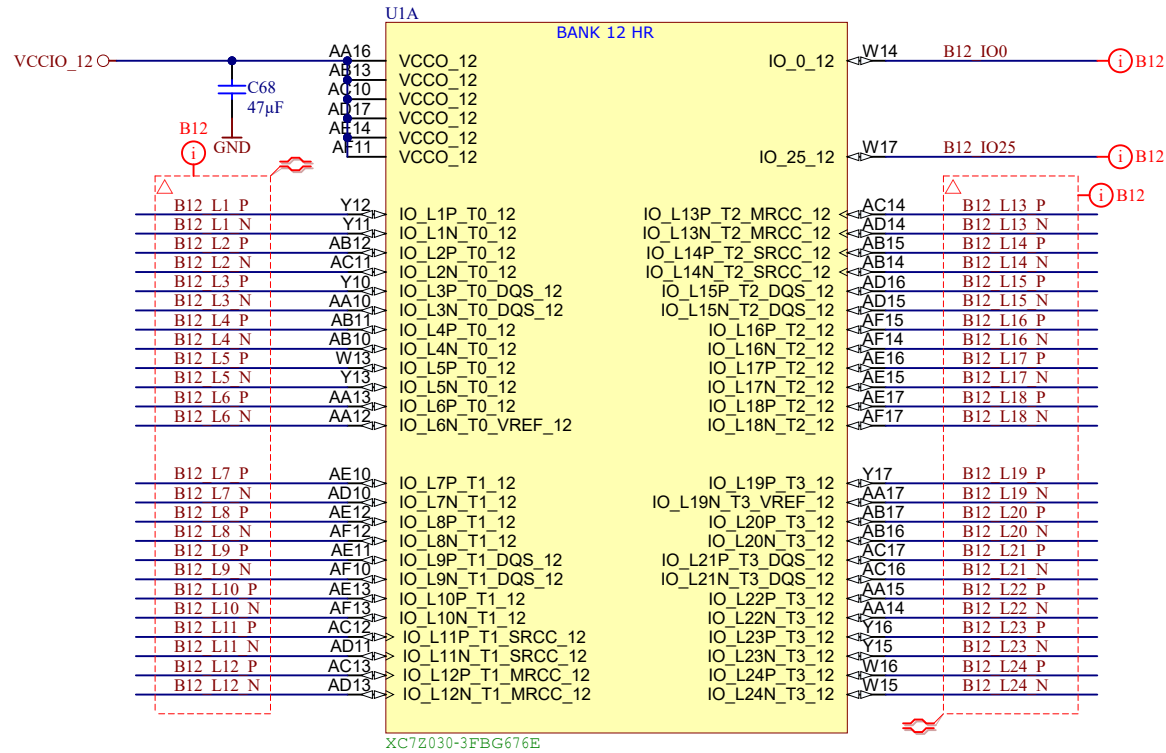
3


4

	Title: TE0745 - Zynq		
	A4	Number: 6 73E31-A	Rev. 02
	Date: 2016-04-28	Copyright: Trenz Electronic GmbH / TT	Page6 of 25
	Filename: ZYNQ.SchDoc		

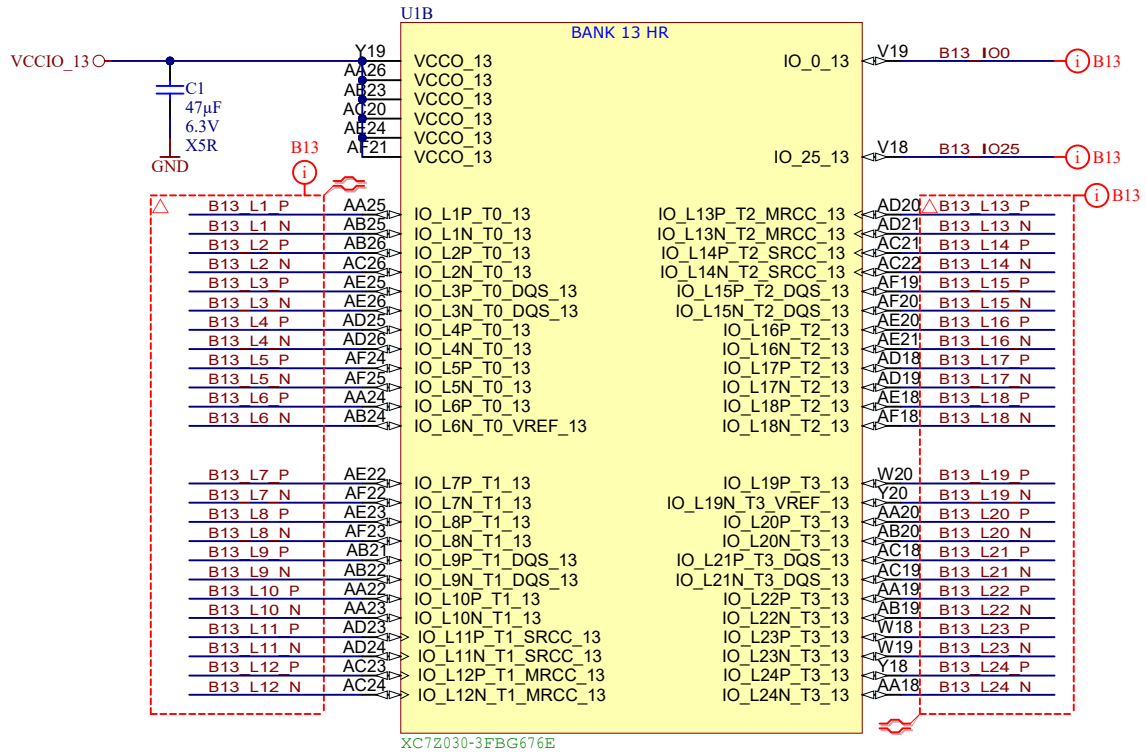


	Title: TE0745 - Zynq_MISC		
	A4	Number: 7 73E31-A	Rev. 02
	Date: 2016-04-28	Copyright: Trenz Electronic GmbH / TT	Page 7 of 25
	Filename: ZYNQ_MISC.SchDoc		

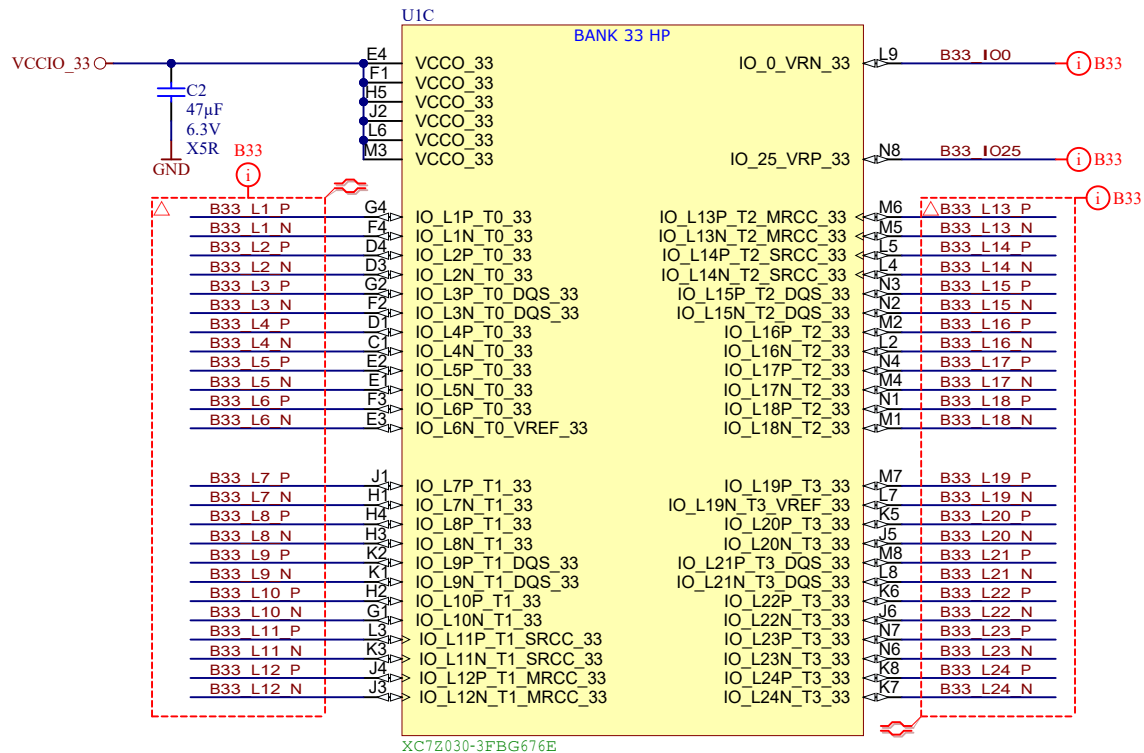


	Title: TE0745 - Zynq_B12		
	A4	Number: 8 73E31-A	Rev. 02
	Date: 2016-04-28	Copyright: Trenz Electronic GmbH / TT	Page 8 of 25
	Filename: B12.SchDoc		





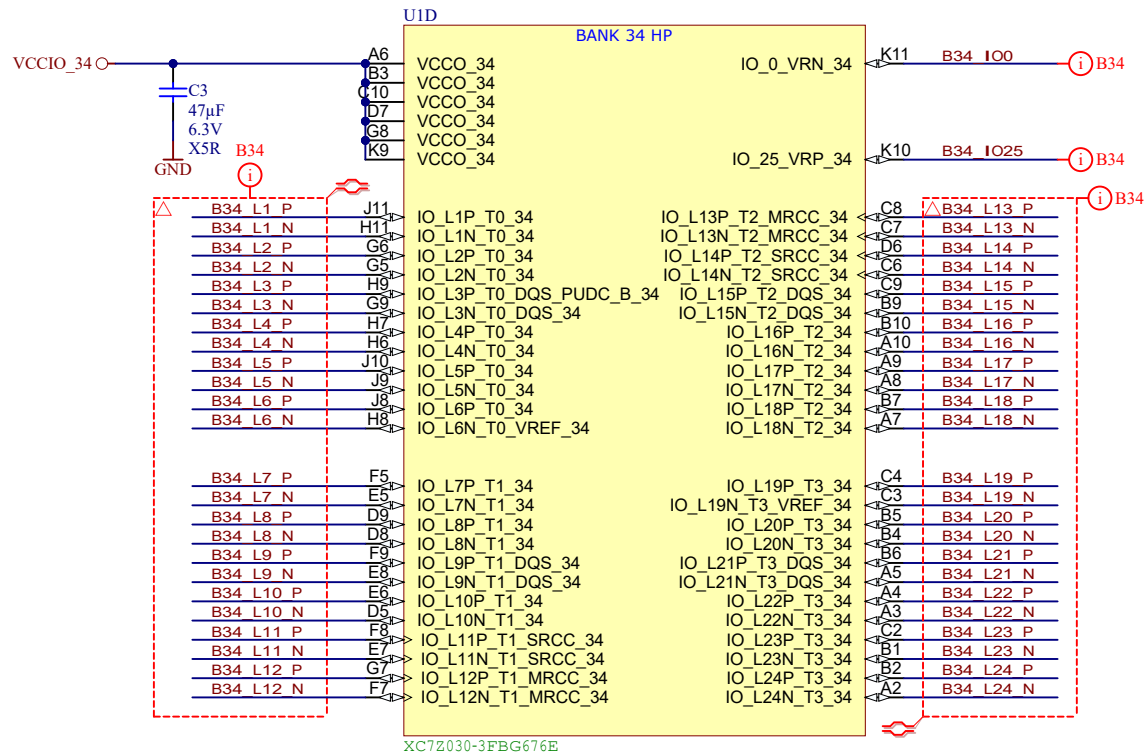
Title: TE0745 - Zynq_B13		
A4	Number: g 73E31-A	Rev. 02
Date: 2016-04-28	Copyright: Trenz Electronic GmbH / TT	Page9 of 25
Filename: B13.SchDoc		



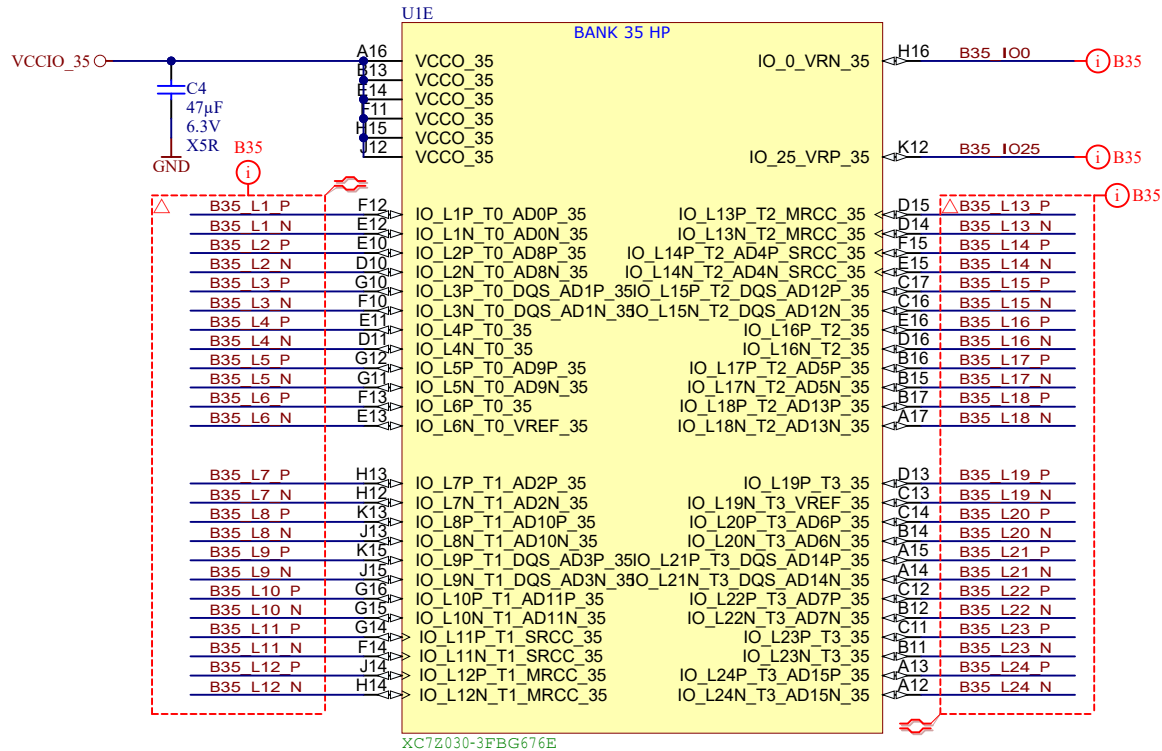
XC7Z030-3FBG676E



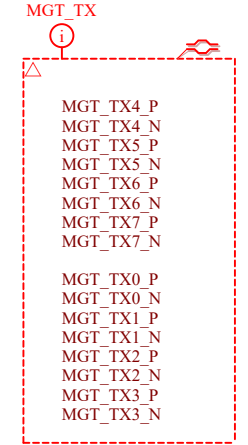
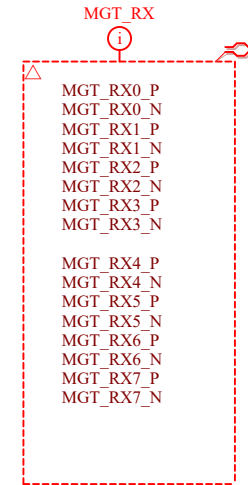
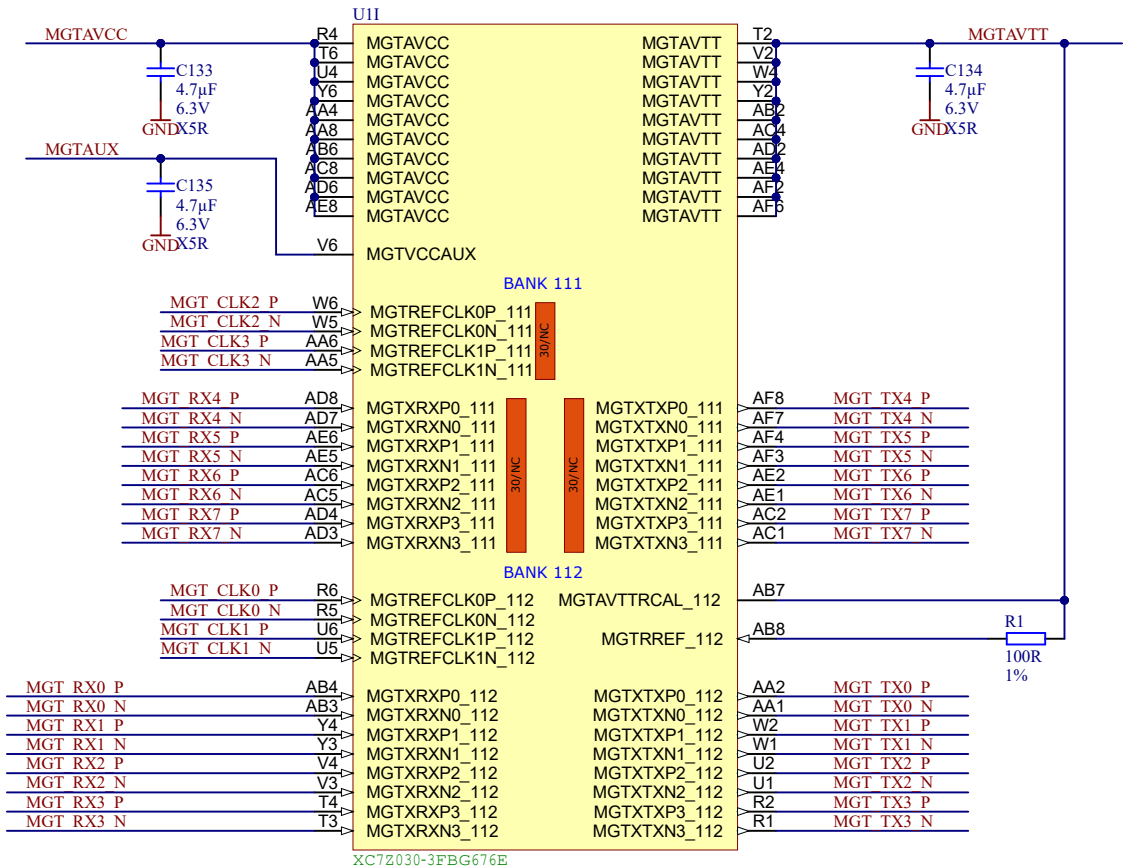
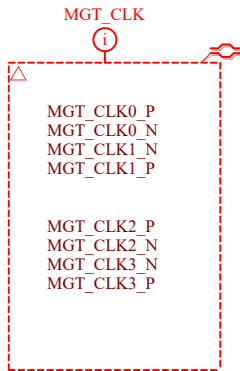
Title: TE0745 - Zynq_B33		
A4	Number: 10 73E31-A	Rev. 02
Date: 2016-04-28	Copyright: Trenz Electronic GmbH / TT	Page 10 of 25
Filename: B33.SchDoc		



Title: TE0745 - Zynq_B34		
A4	Number: 11 73E31-A	Rev. 02
Date: 2016-04-28	Copyright: Trenz Electronic GmbH / TT	Page 11 of 25
Filename: B34.SchDoc		

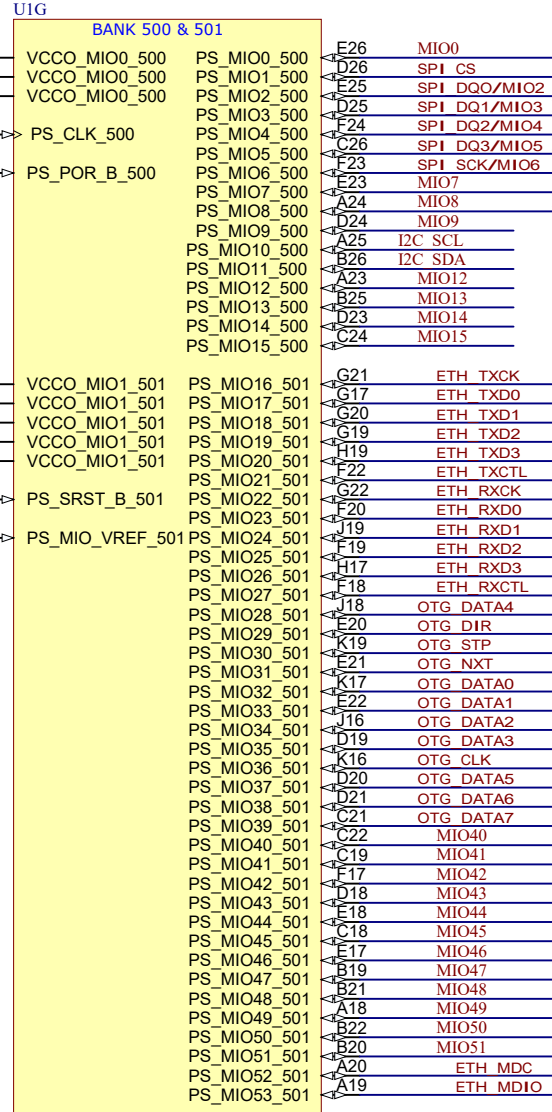
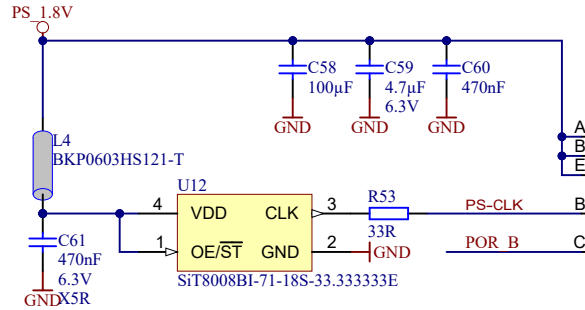


Title: TE0745 - Zynq_B35		
A4	Number: 12 73E31-A	Rev. 02
Date: 2016-04-28	Copyright: Trenz Electronic GmbH / TT	Page 12 of 25
Filename: B35.SchDoc		



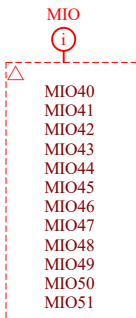
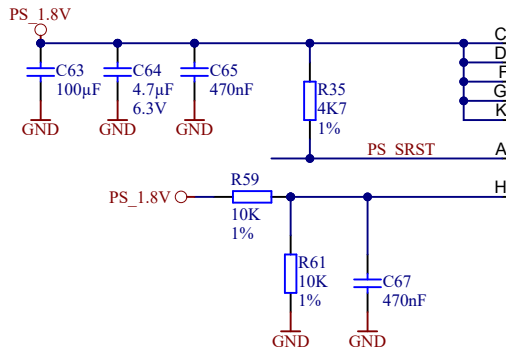
Title: TE0745 - Zynq\_MGT

A4	Number: 13 73E31-A	Rev. 02
Date: 2016-04-28	Copyright: Trenz Electronic GmbH / TT	Page 13 of 25
Filename: FPGA_MGT.SchDoc		

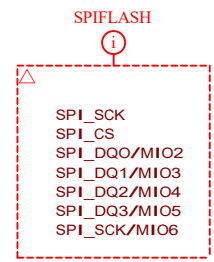
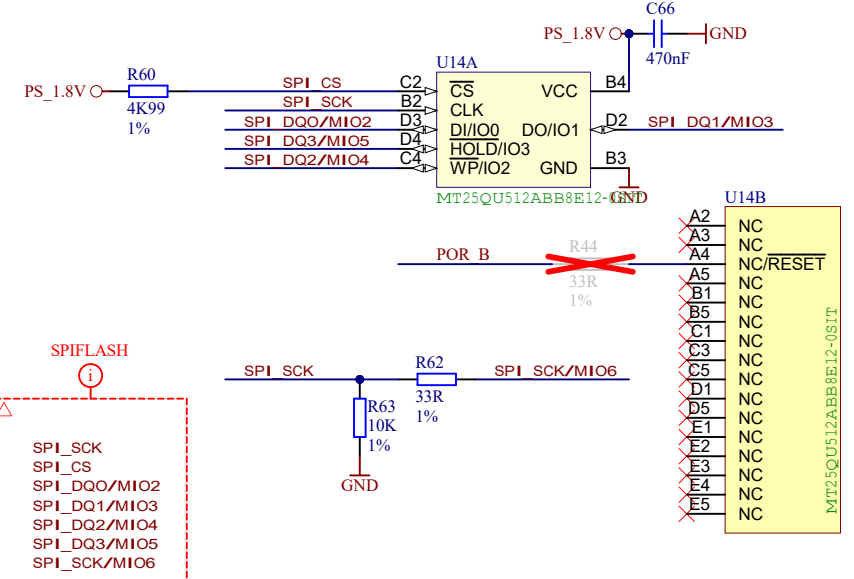
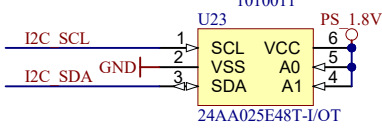


MIO Bank Voltage	MIO7   Bank0	MIO8   Bank1
2.5V, 3.3V	0   0	
1.8V	1   1	

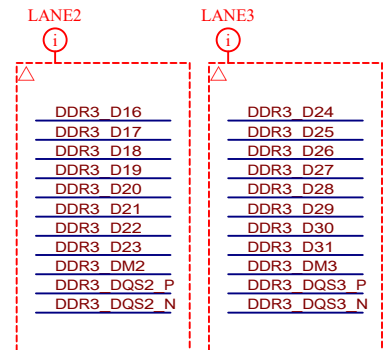
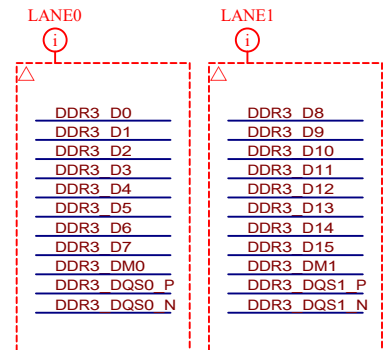
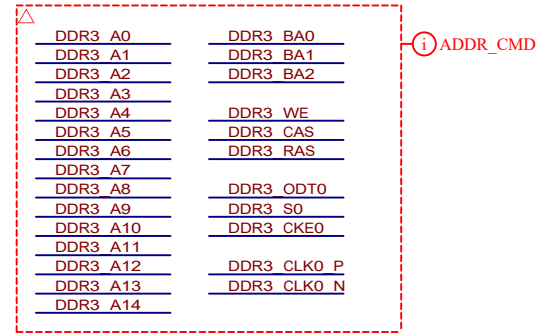
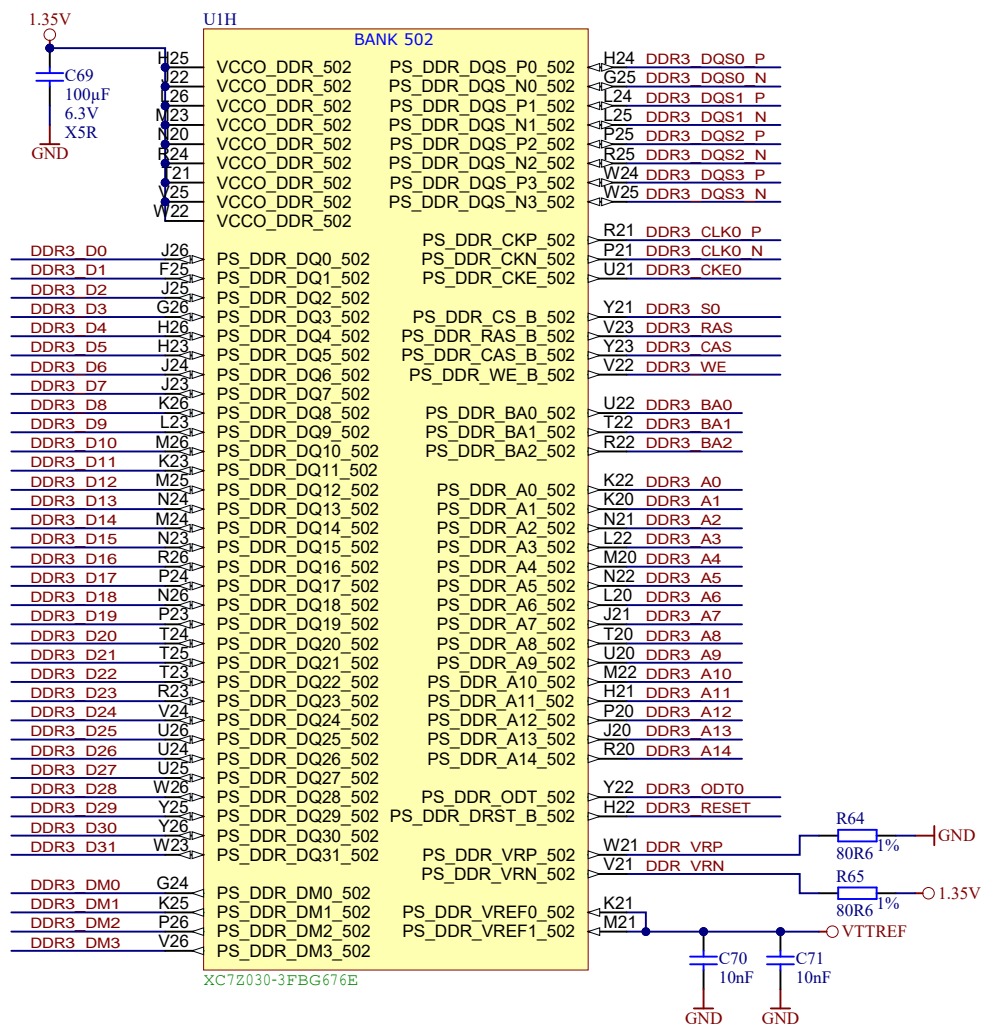
BOOT MODE	MIO5   MIO4   MIO3
JTAG Boot Mode	0   0   0
NOR Boot	0   0   1
NAND	0   1   0
Quad-SPI	1   0   0
SD Card	1   1   0




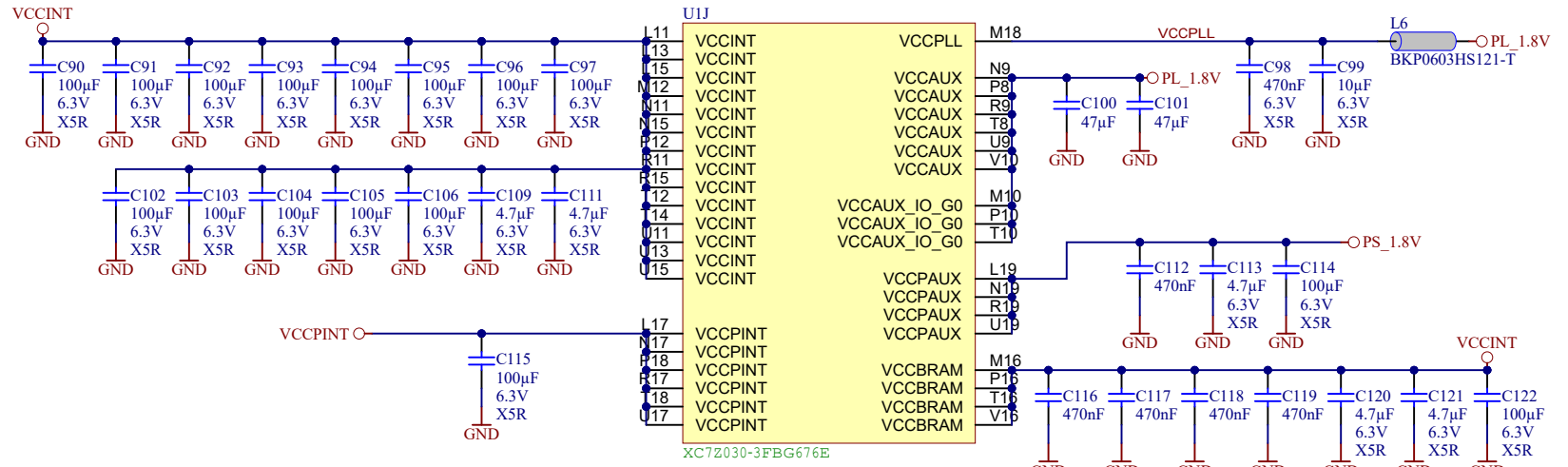
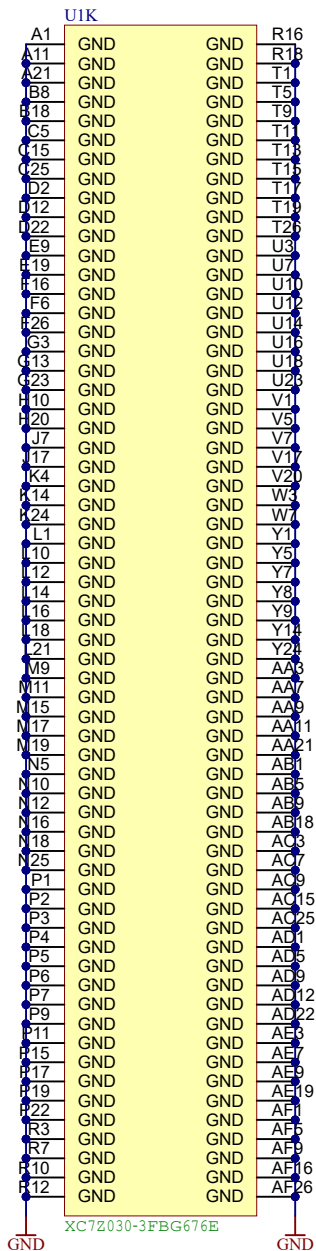
EEPROM for MAC Slave ADDR: 1010011



Title: TE0745 - Zynq_MIO_Banks		
A4	Number: 14 73E31-A	Rev. 02
Date: 2016-04-28	Copyright: Trenz Electronic GmbH / TT	Page 14 of 25
Filename: MIO_B500.SchDoc		



			Title: TE0745 - Zynq_PS_DDR	
			A4	Number: 15 73E31-A
Date: 2016-04-28		Copyright: Trenz Electronic GmbH / TT		Page 15 of 25
Filename: PS-DDR.SchDoc				



	Title: TE0745 - Zynq_Power		
	A4	Number: 16 73E31-A	Rev. 02
	Date: 2016-04-28	Copyright: Trenz Electronic GmbH / TT	Page 16 of 25
	Filename: ZYNC_POWER.SchDoc		



A

A

B

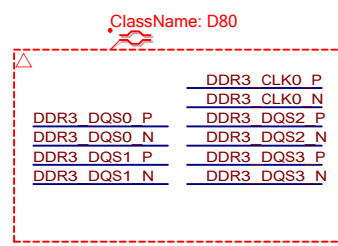
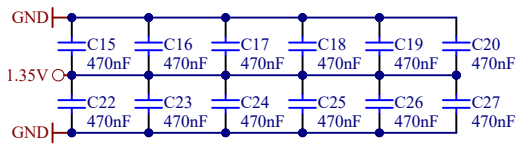
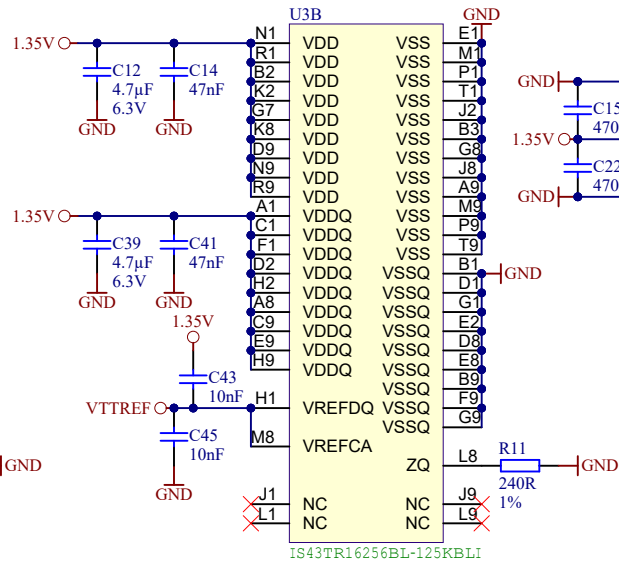
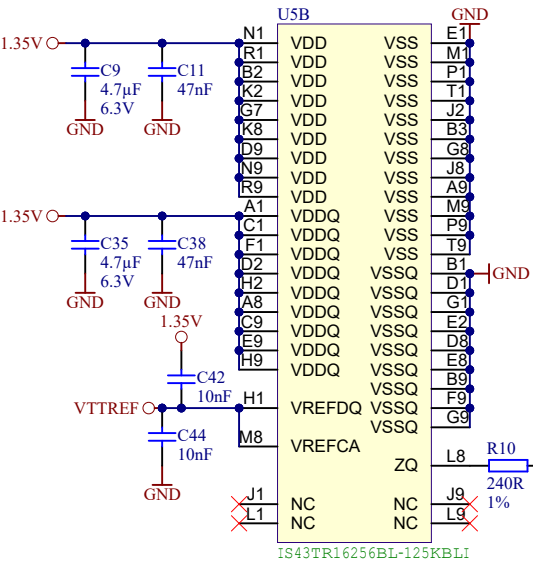
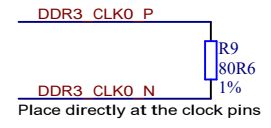
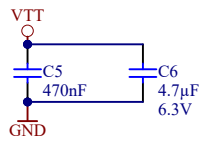
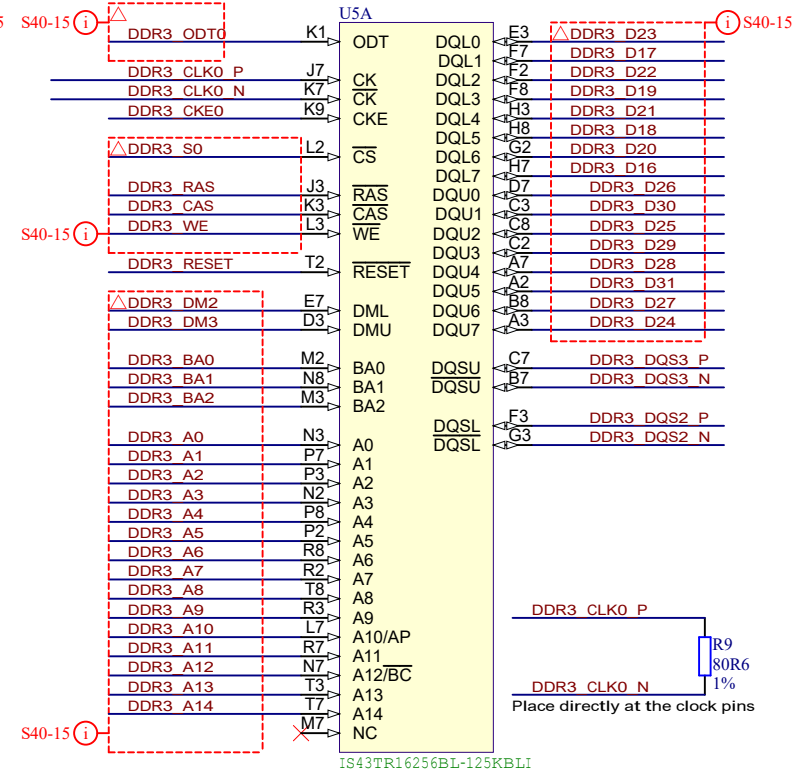
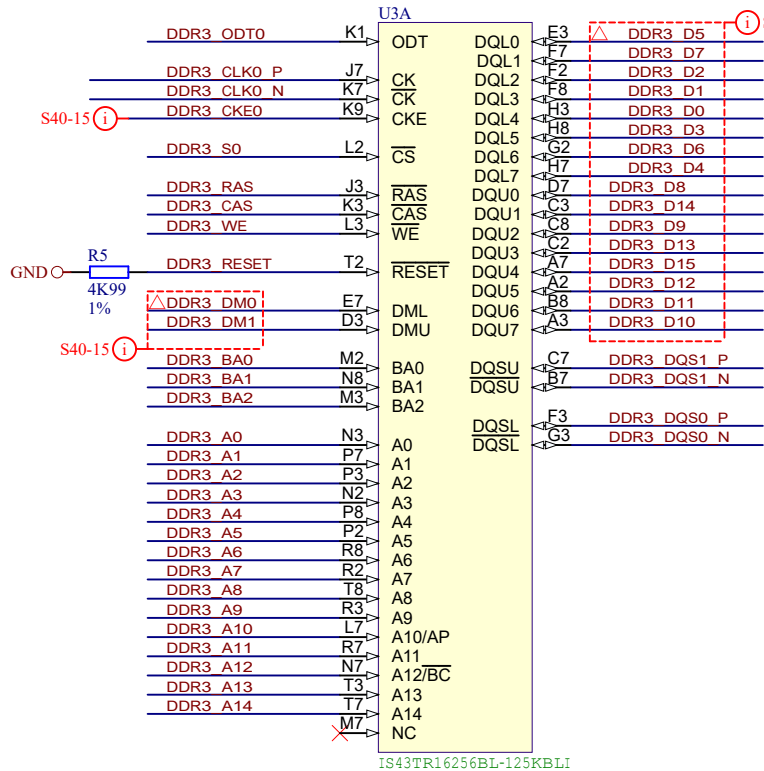
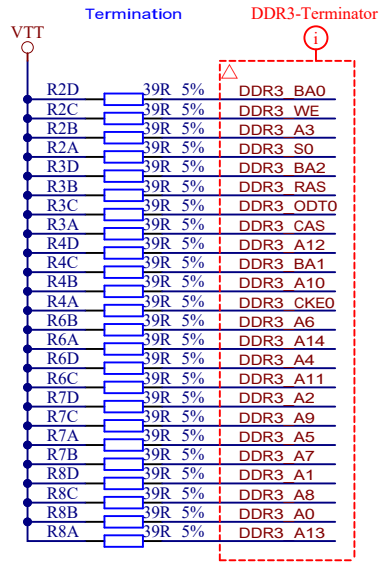
B

C

C

D

D



Title: <b>TE0745 - DDR3 RAM</b>		
A4	Number: <b>17 73E31-A</b>	Rev. <b>02</b>
Date: <b>2016-04-28</b>	Copyright: <b>Trenz Electronic GmbH</b>	Page <b>17</b> of <b>25</b>
Filename: <b>DDR3-RAM.SchDoc</b>		

1

2

3

4

A

A

B

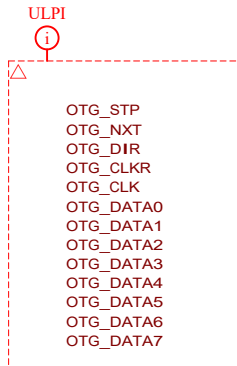
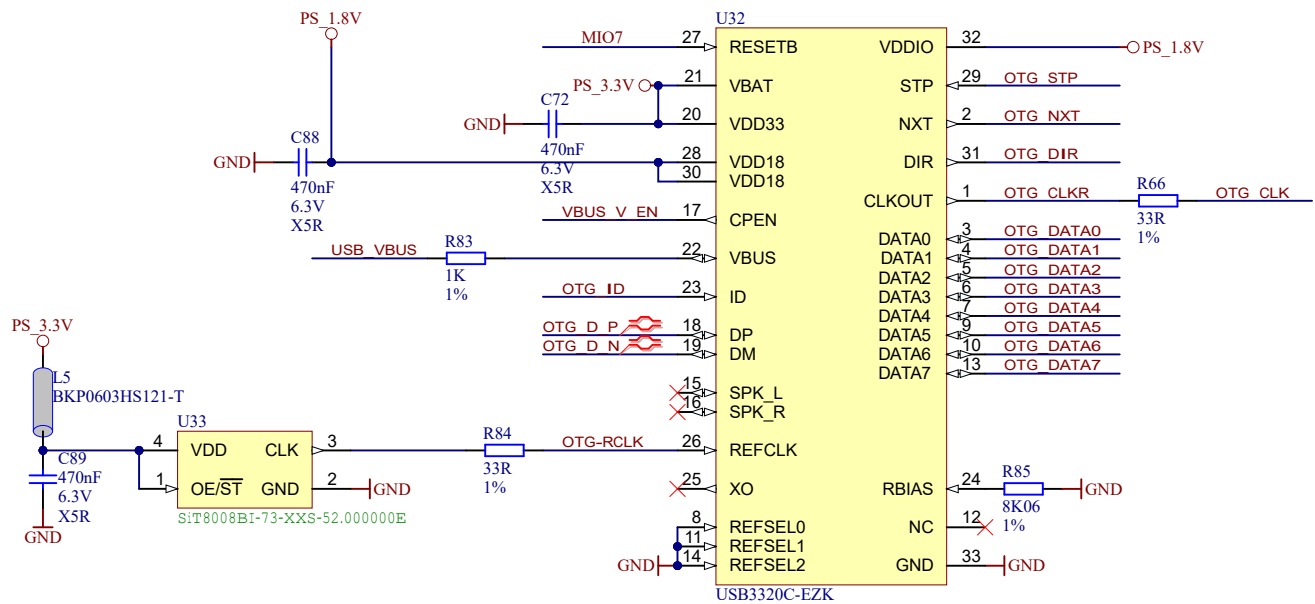
B

C

C

D

D



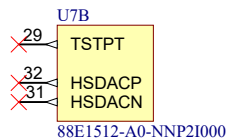
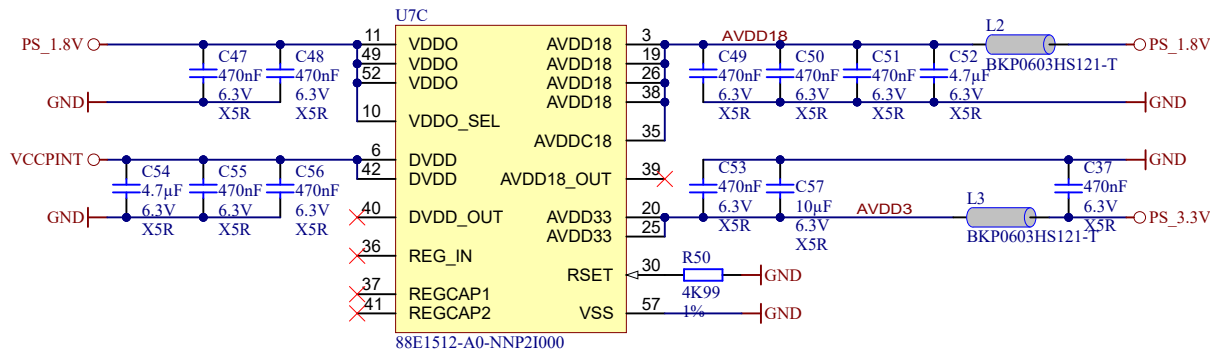
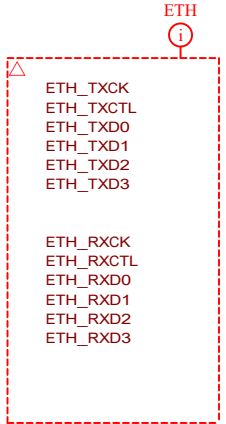
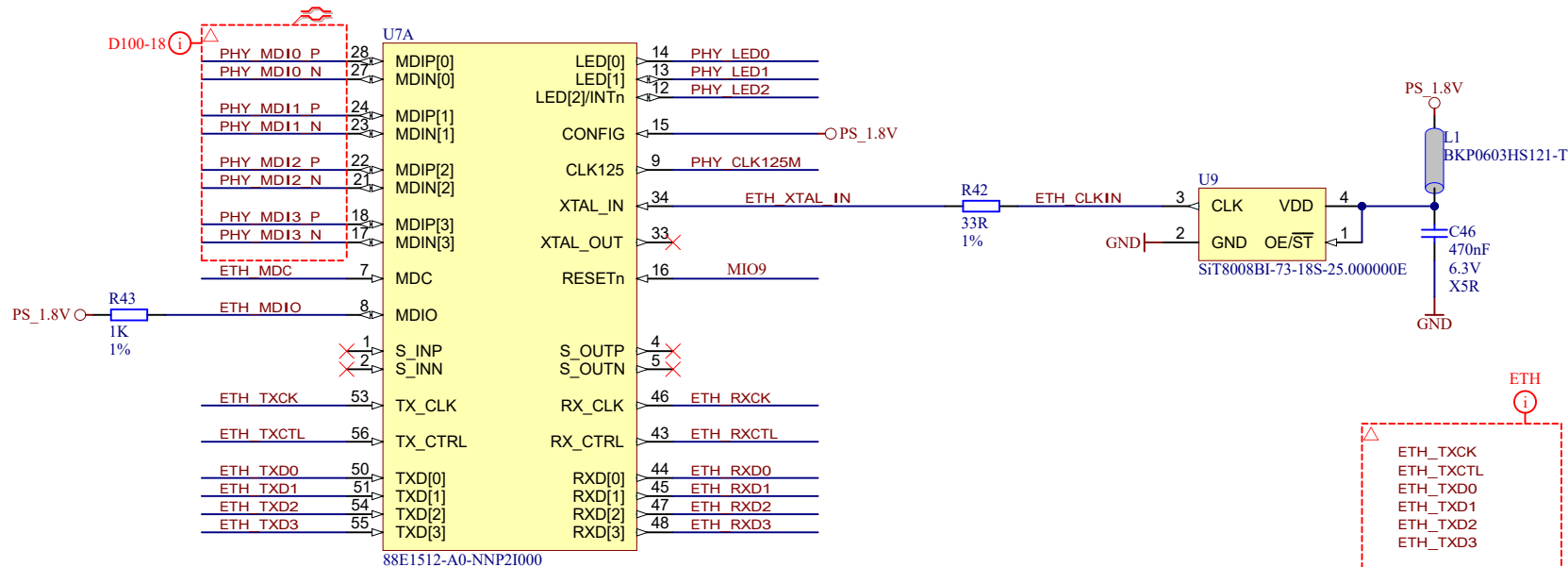
	Title: TE0745 - USB_PHY		
	A4	Number: 18 73E31-A	Rev. 02
	Date: 2016-04-28	Copyright: Trenz Electronic GmbH / TT	Page 18 of 25
	Filename: USB-PHY.SchDoc		

1

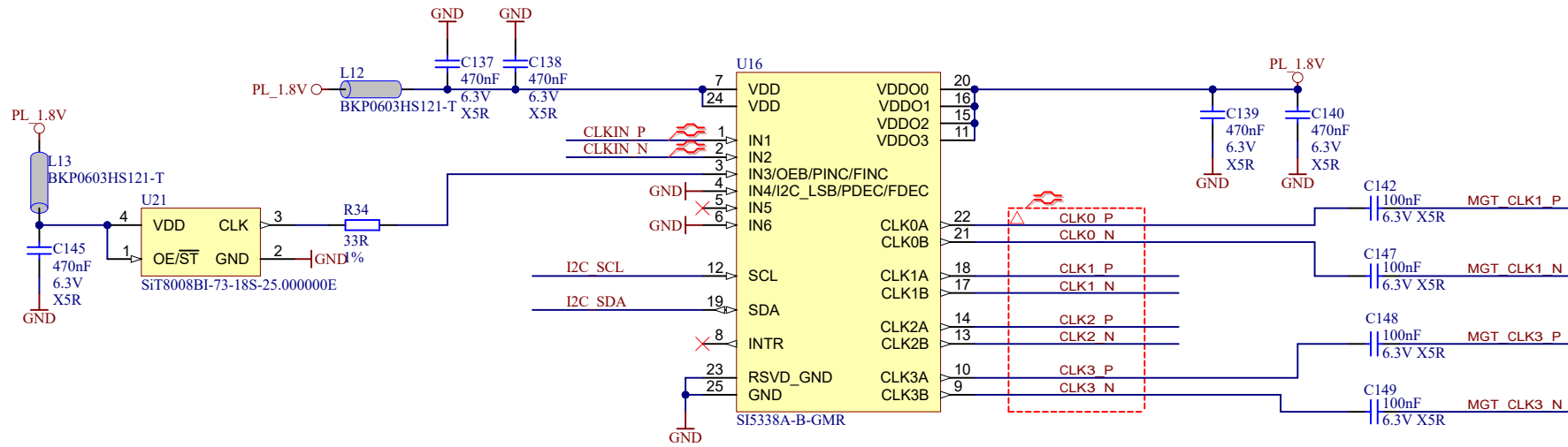
2

3


4

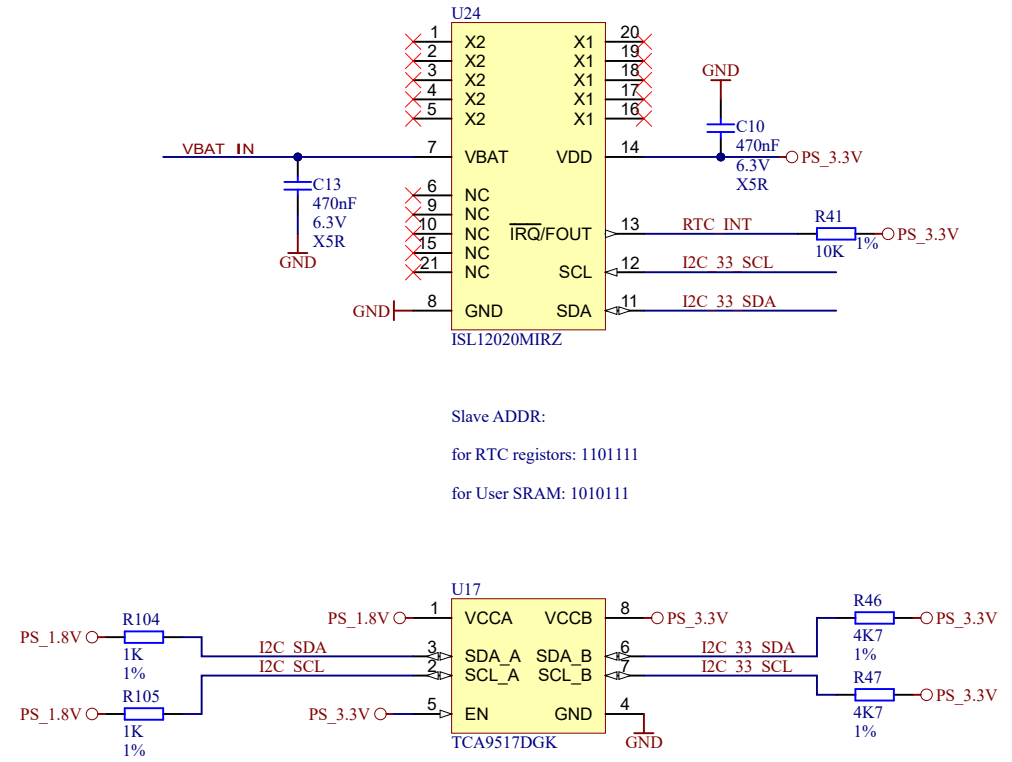


	Title: TE0745 - ETH_PHY		
	A4	Number: 19 73E31-A	Rev. 02
	Date: 2016-04-28	Copyright: Trenz Electronic GmbH / TT	Page 19 of 25
	Filename: ETH-PHY.SchDoc		

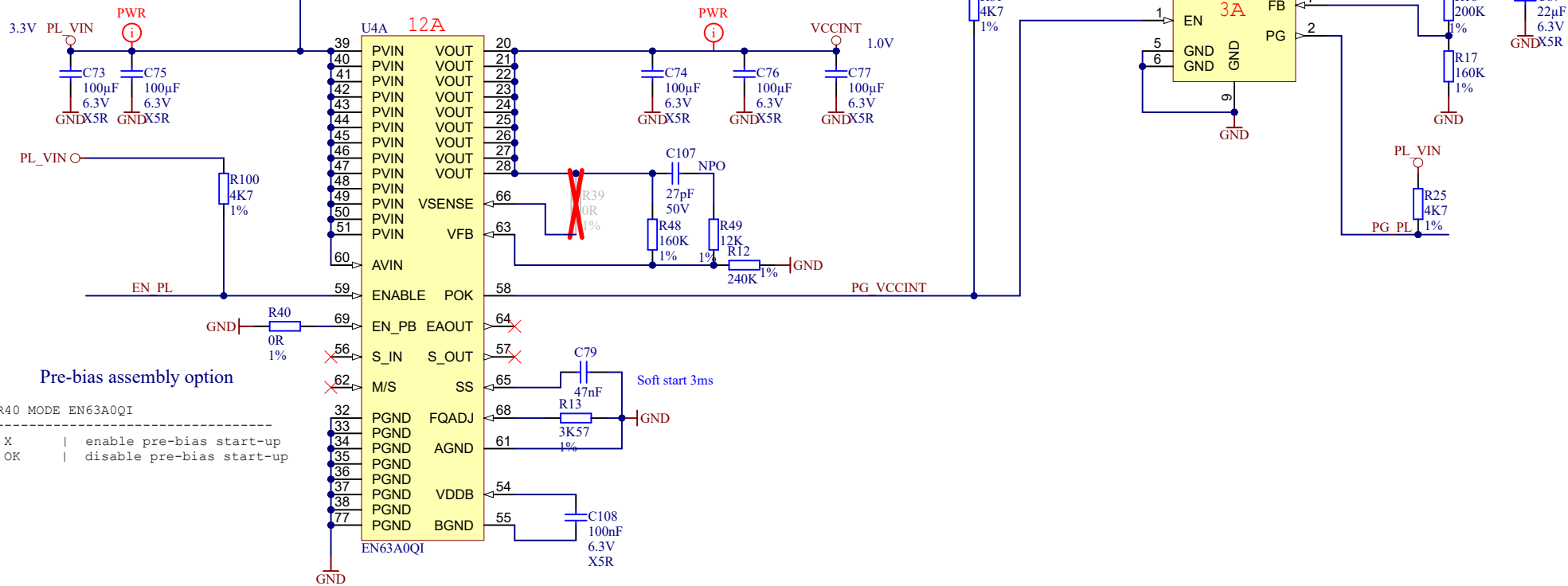


Slave ADDR:  
1110000 OR 1110001

	Title: TE0745 - CLK		
	A4	Number: 20 73E31-A	Rev. 02
	Date: 2016-04-28	Copyright: Trenz Electronic GmbH / TT	Page 20 of 25
	Filename: CLK.SchDoc		



Title: TE0745 - RTC		
A4	Number: 21 73E31-A	Rev. 02
Date: 2016-04-28	Copyright: Trenz Electronic GmbH / TT	Page21 of 25
Filename: SENSOR-RTC.SchDoc		



**Pre-bias assembly option**

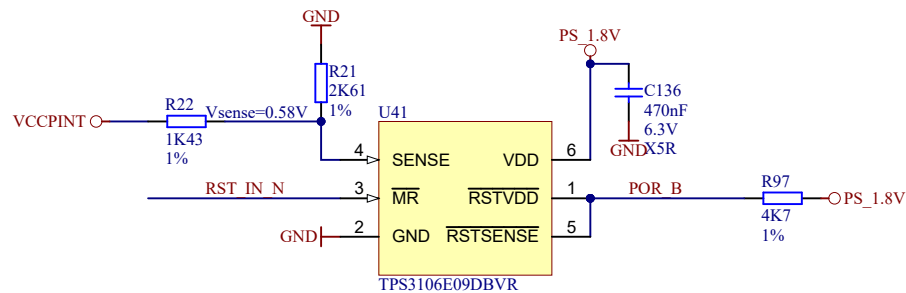
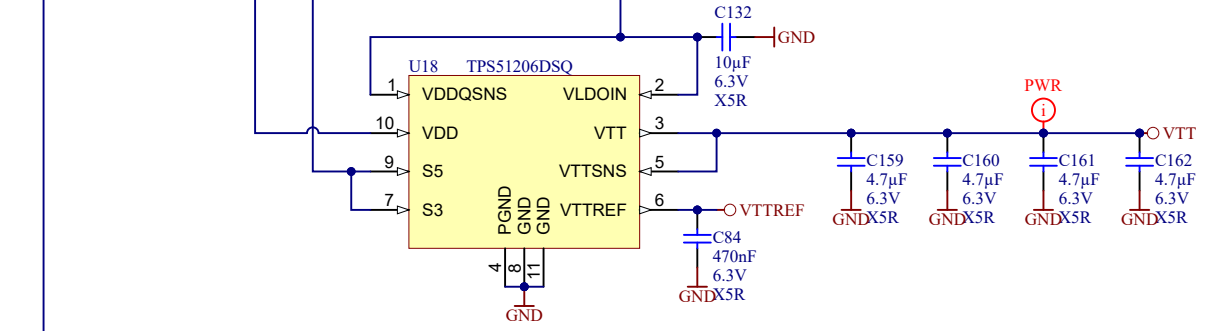
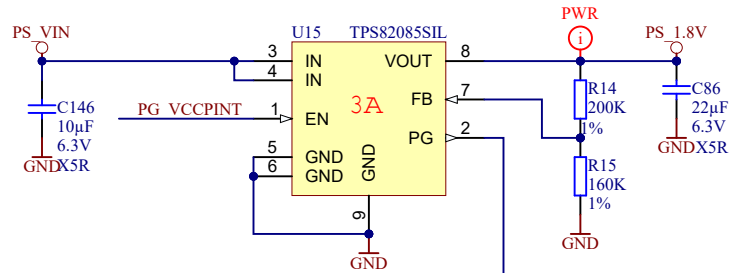
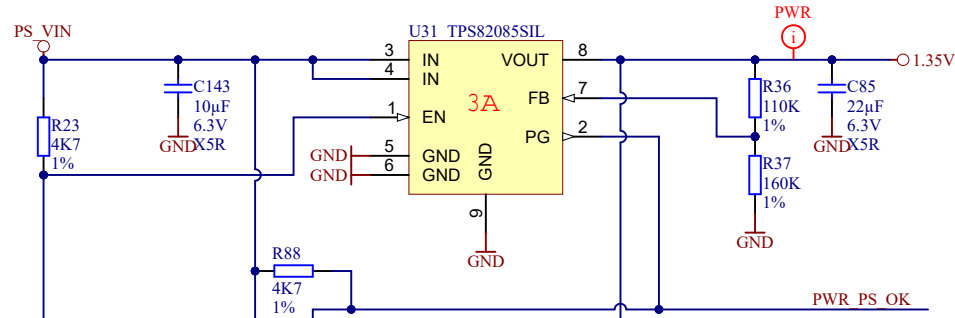
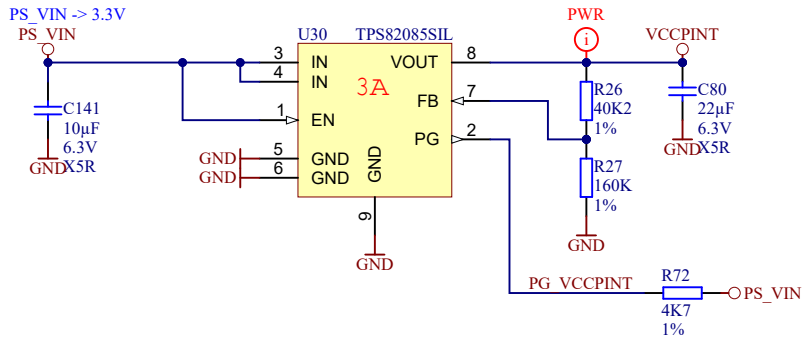
R39 R40 MODE EN63A0QI

OK X | enable pre-bias start-up  
 X OK | disable pre-bias start-up

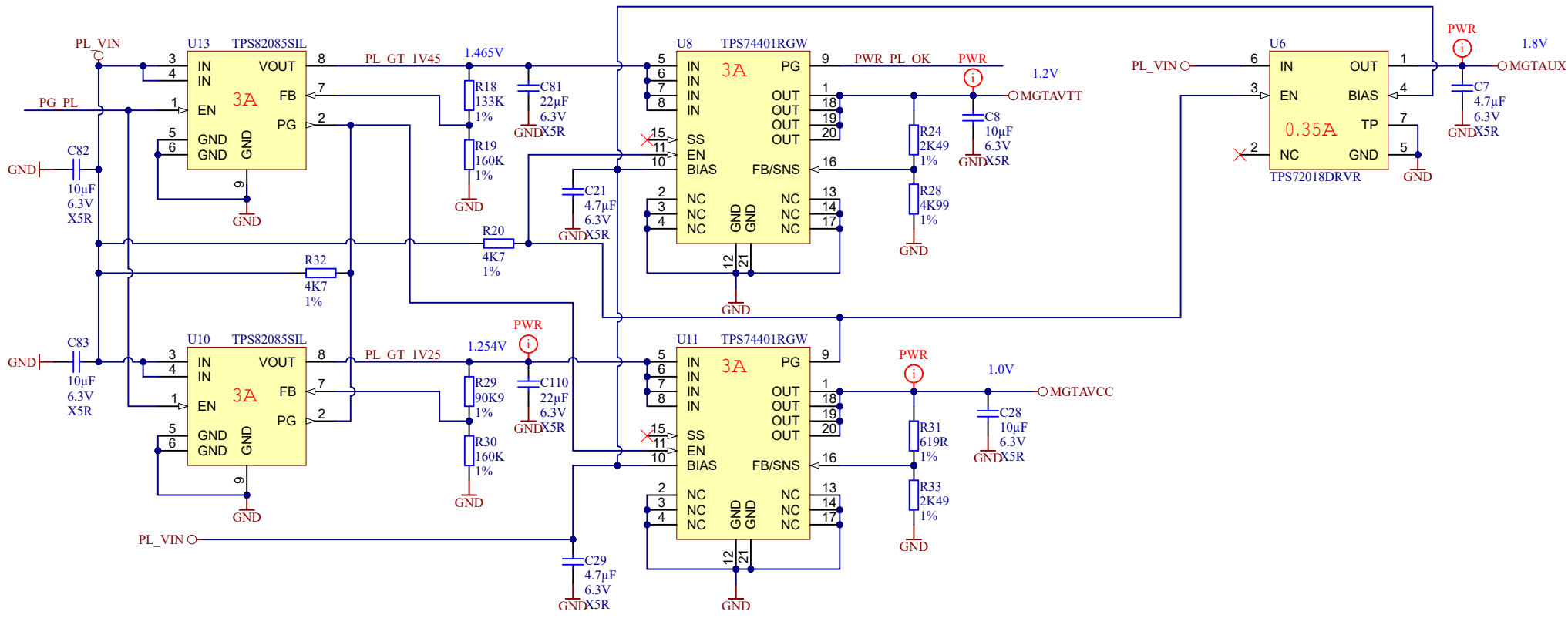
U4B		
1	NC	NC
2	NC	NC
3	NC	NC
4	NC	NC
5	NC	NC(SW)
6	NC	NC(SW)
7	NC	NC
8	NC	NC
9	NC	NC
10	NC	NC(SW)
11	NC	NC(SW)
12	NC	NC
13	NC	NC
14	NC	NC
15	NC	NC
16	NC	NC


EN63A0QI

	Title: TE0745 - Power		
	A4	Number: 22 73E31-A	Rev. 02
	Date: 2016-04-28	Copyright: Trenz Electronic GmbH / TT	Page 22 of 25
	Filename: POWER.SchDoc		



Title: TE0745 - Power2		
A4	Number: 23 73E31-A	Rev. 02
Date: 2016-04-28	Copyright: Trenz Electronic GmbH / TT	Page23 of 25
Filename: POWER_2.SchDoc		



	Title: TE0745 - Power3		
	A4	Number: 24 73E31-A	Rev. 02
	Date: 2016-04-28	Copyright: Trenz Electronic GmbH / TT	Page24 of 25
	Filename: POWER_3.SchDoc		



