

1

2

3

4

CHANGES REV01 to REV02

- 1) MAC EEPROM Address patch fixed on PCB
- 2) lib components update

A

A

B

B

C

C

D

D

Assembly variant	91C31-A
Created by	MR
Modified by	MR
Modified at	2021-02-19
SVN Version	8496



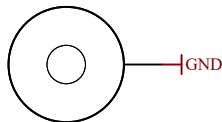
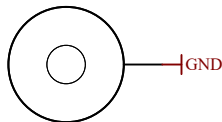
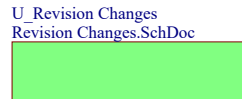
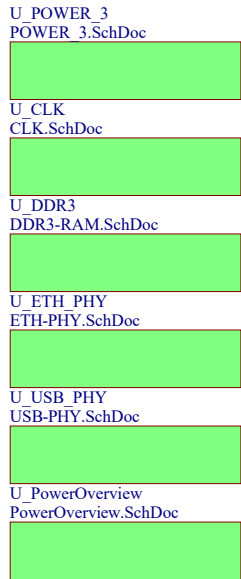
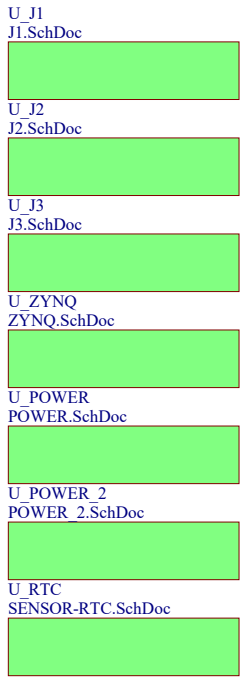
Title: TE0745		
A4	Number: 1 91C31-A	Rev. 02
Date: 2016-04-28	Copyright: Trenz Electronic GmbH / TT	Page1 of 25
Filename: Revision Changes.SchDoc		

1

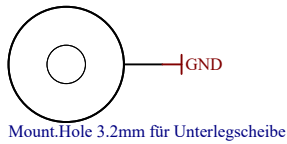
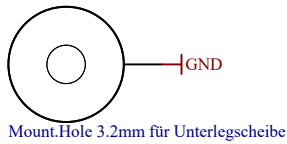
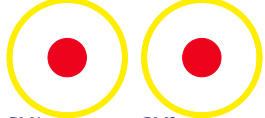
2

3

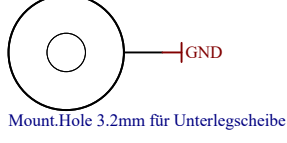
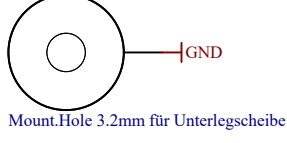
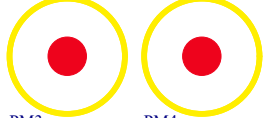
4



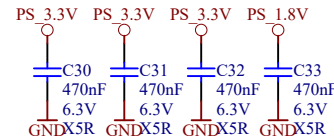
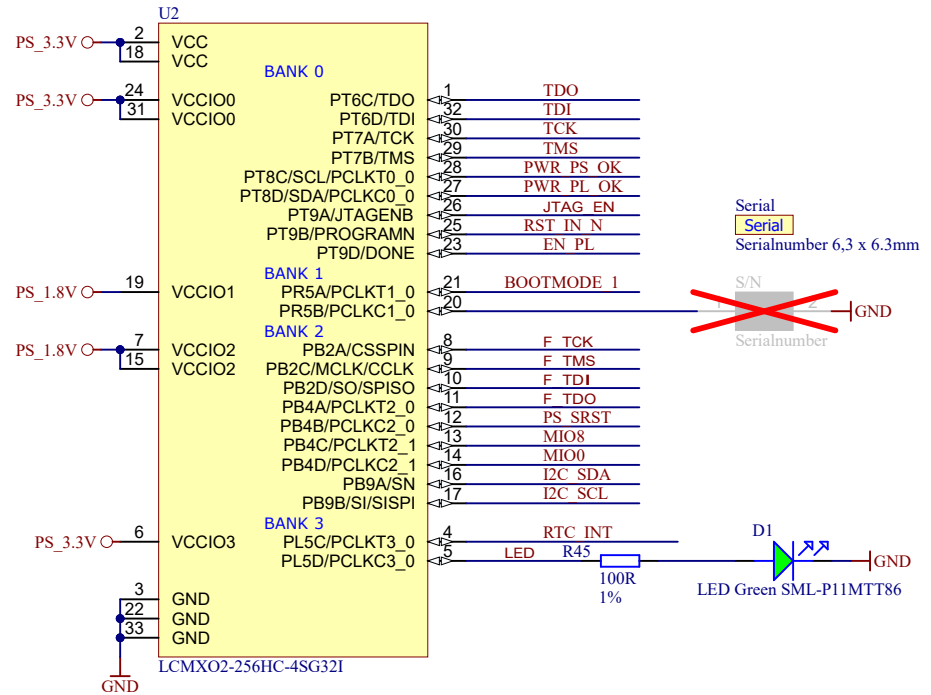
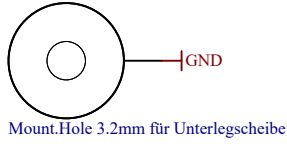
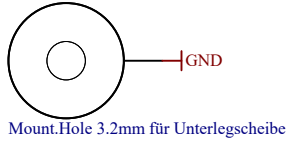
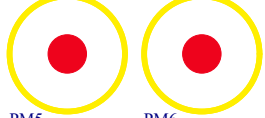
FIDU-DOT - small FIDU-DOT - small



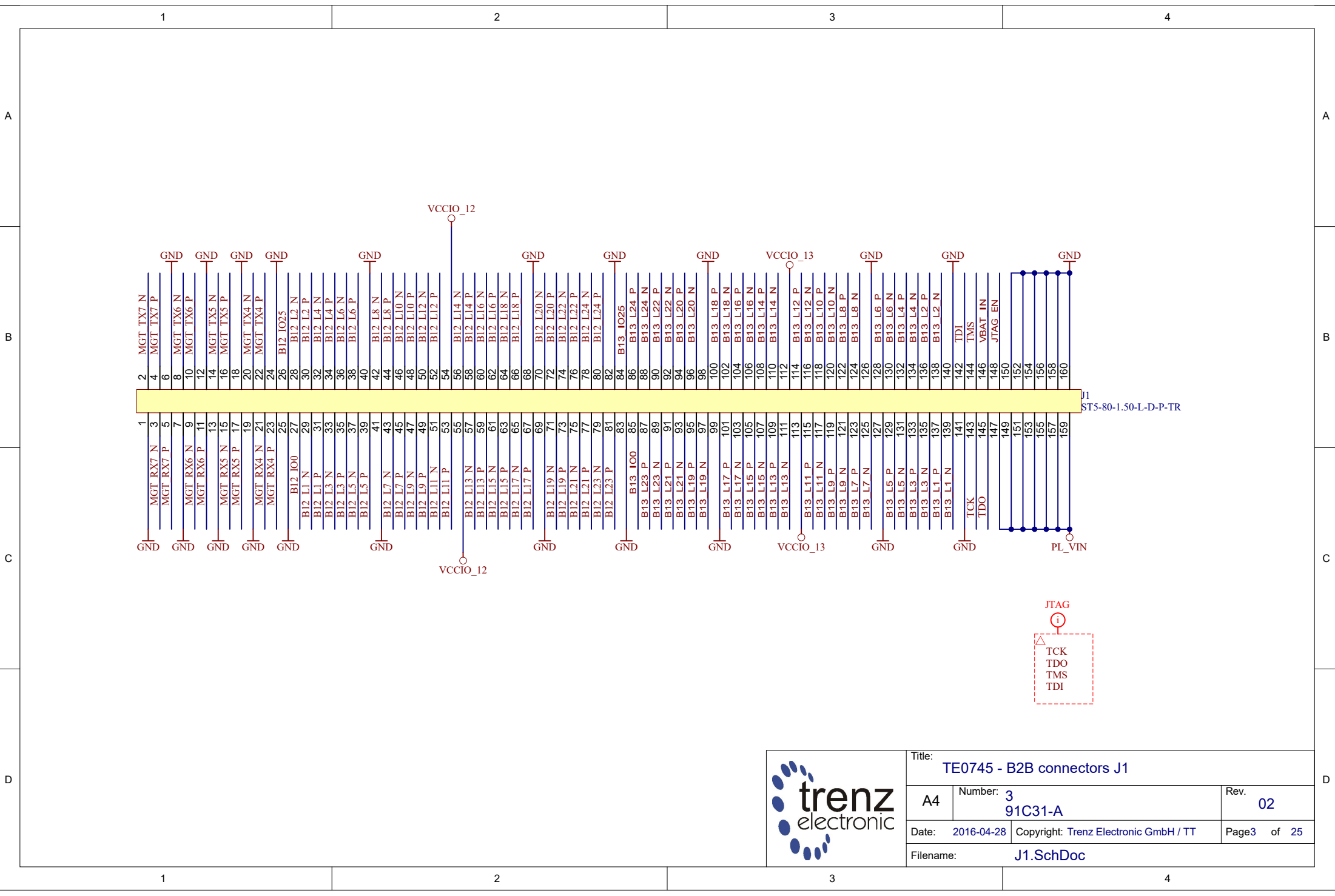
FIDU-DOT - small FIDU-DOT - small



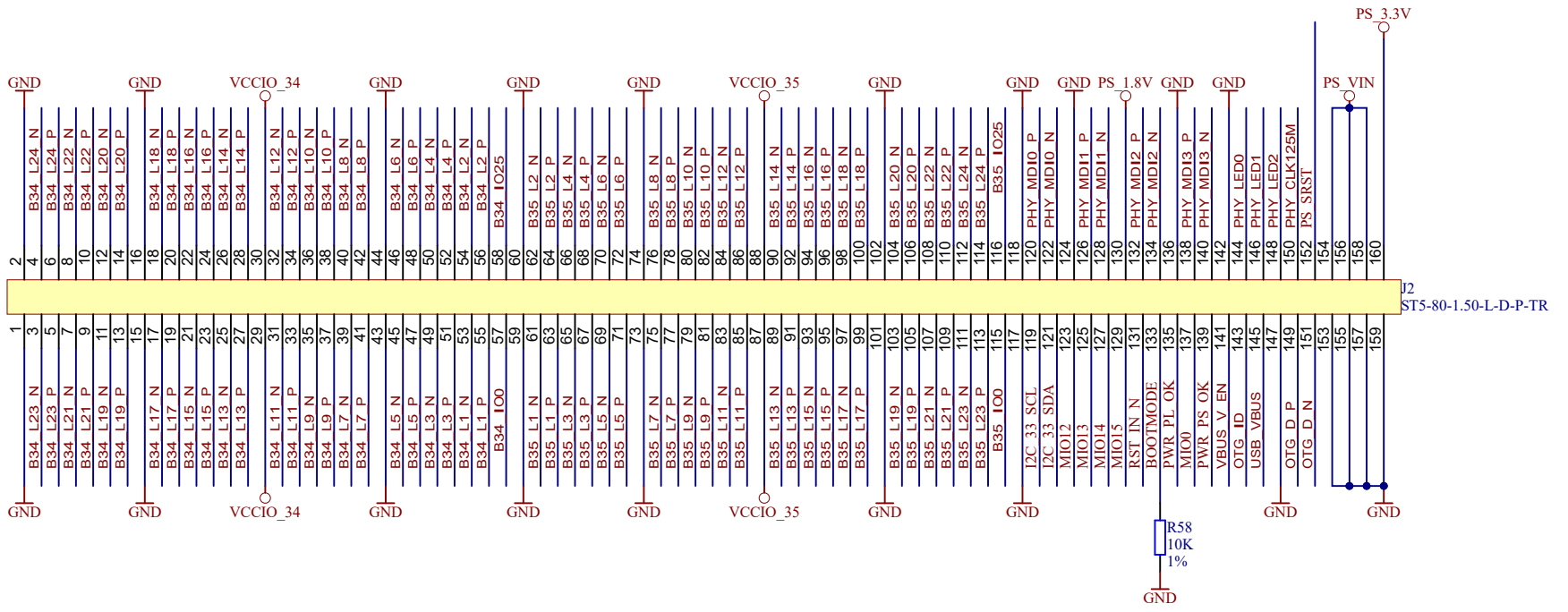
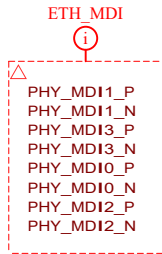
FIDU-DOT - small FIDU-DOT - small



	Title: TE0745	
	A4	Number: 2 91C31-A
	Date: 2016-04-28	Rev. 02
	Copyright: Trenz Electronic GmbH / TT	Page2 of 25
Filename: TE0745.SchDoc		

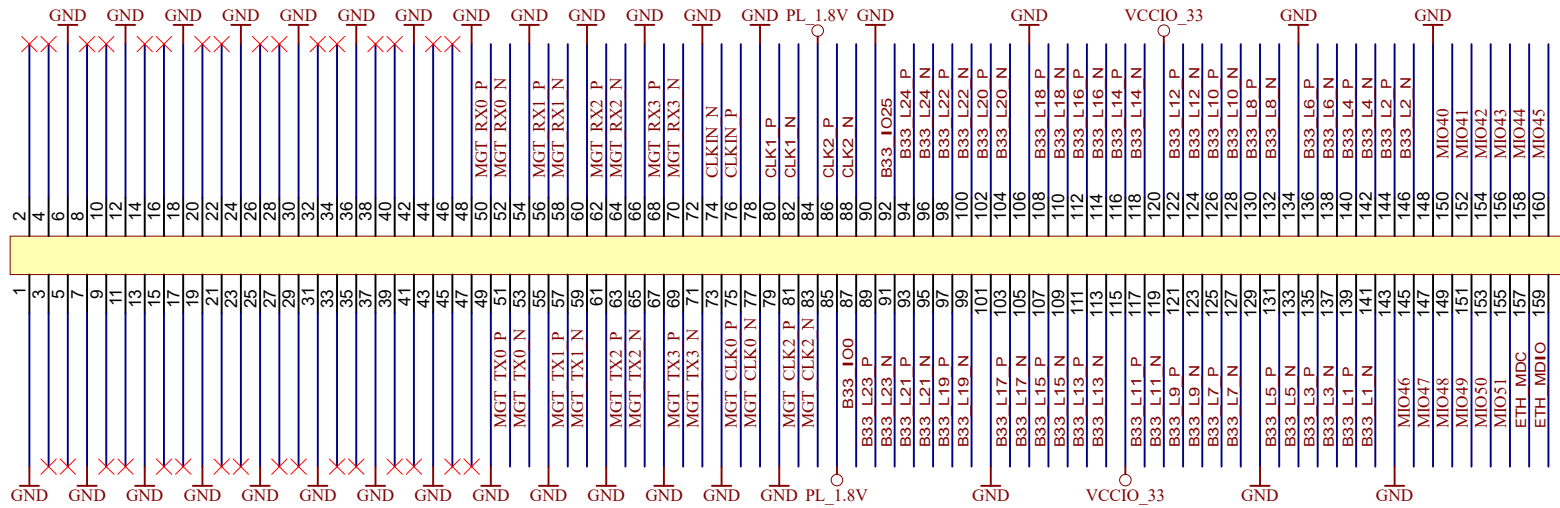


Title: TE0745 - B2B connectors J1		
A4	Number: 3 91C31-A	Rev. 02
Date: 2016-04-28	Copyright: Trenz Electronic GmbH / TT	Page3 of 25
Filename: J1.SchDoc		




Title: TE0745 - B2B connectors J2		
A4	Number: 4 91C31-A	Rev. 02
Date: 2016-04-28	Copyright: Trenz Electronic GmbH / TT	Page4 of 25
Filename: J2.SchDoc		

RESERVED for additional 8 GTX lanes



U3  
ST5-80-1.50-L-D-P-TR

	Title: TE0745 - B2B connectors J3		
	A4	Number: 5 91C31-A	Rev. 02
	Date: 2016-04-28	Copyright: Trenz Electronic GmbH / TT	Page5 of 25
	Filename: J3.SchDoc		

1

2

3

4

U\_B12  
B12.SchDoc



U\_B500  
MIO\_B500.SchDoc



U\_B13  
B13.SchDoc



U\_PS\_DDR  
PS-DDR.SchDoc



U\_B33  
B33.SchDoc



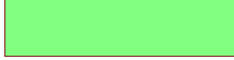
U\_MISC  
ZYNQ\_MISC.SchDoc



U\_B34  
B34.SchDoc



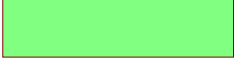
U\_ZYNQ\_POWER  
ZYNQ\_POWER.SchDoc



U\_B35  
B35.SchDoc



U\_FPGA\_MGT  
FPGA\_MGT.SchDoc



A

A

B

B

C

C

D


D

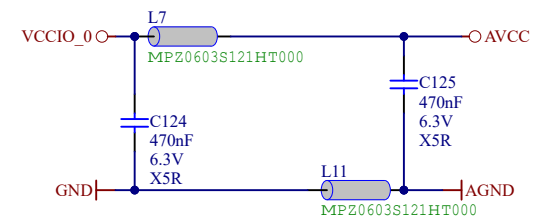
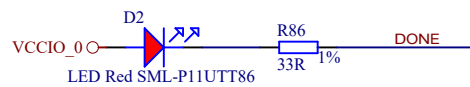
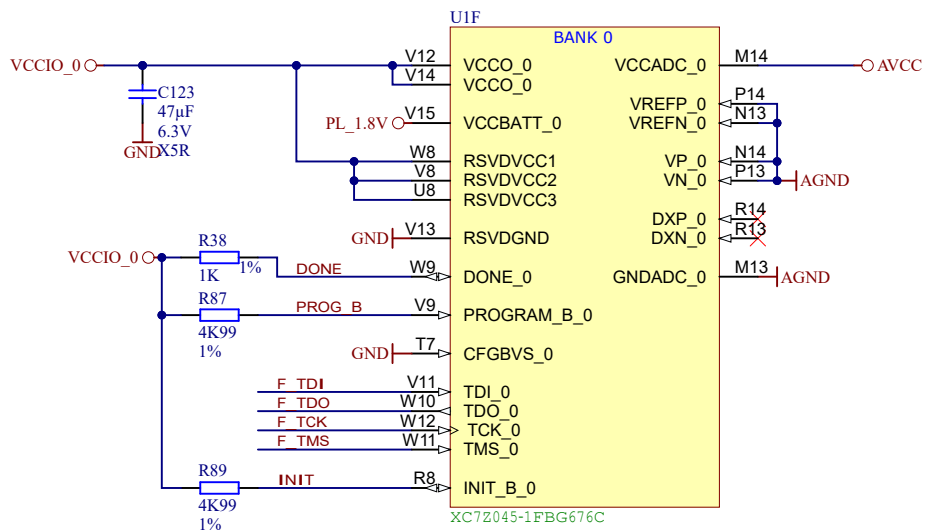
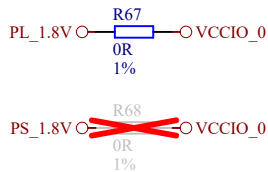
1

2

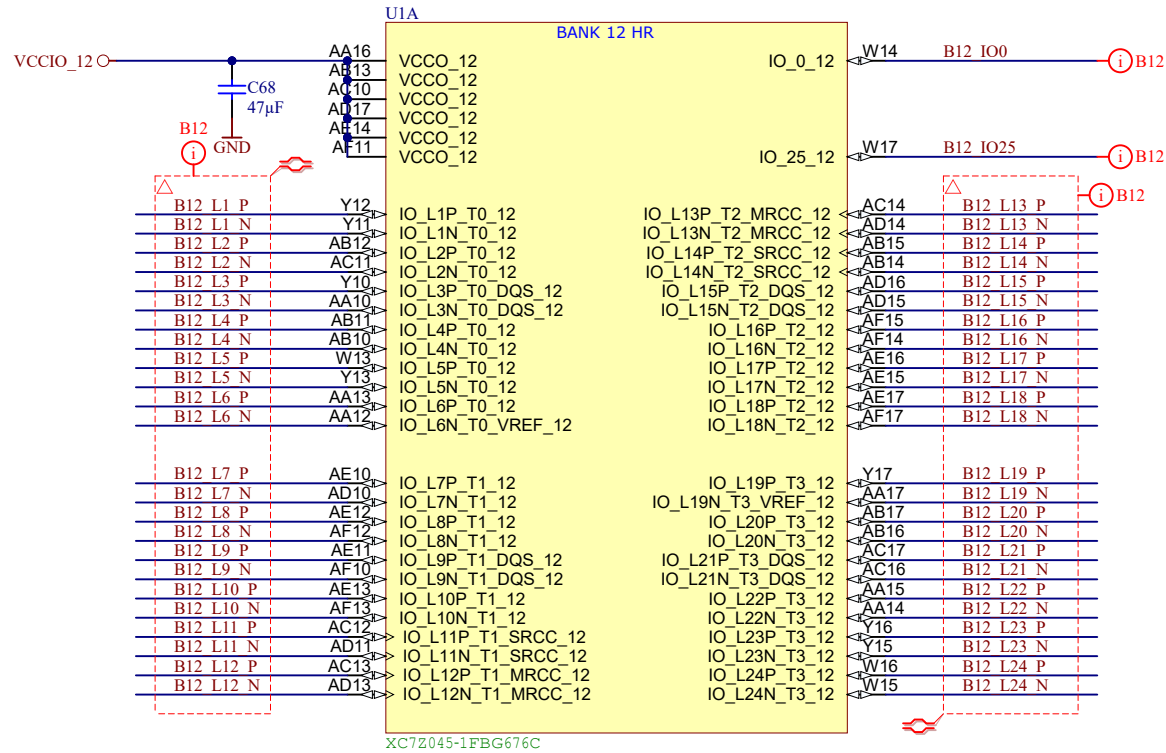
3

4

	Title: TE0745 - Zynq		
	A4	Number: 6 91C31-A	Rev. 02
	Date: 2016-04-28	Copyright: Trenz Electronic GmbH / TT	Page6 of 25
	Filename: ZYNQ.SchDoc		



	Title: TE0745 - Zynq_MISC		
	A4	Number: 7 91C31-A	Rev. 02
	Date: 2016-04-28	Copyright: Trenz Electronic GmbH / TT	Page 7 of 25
	Filename: ZYNQ_MISC.SchDoc		

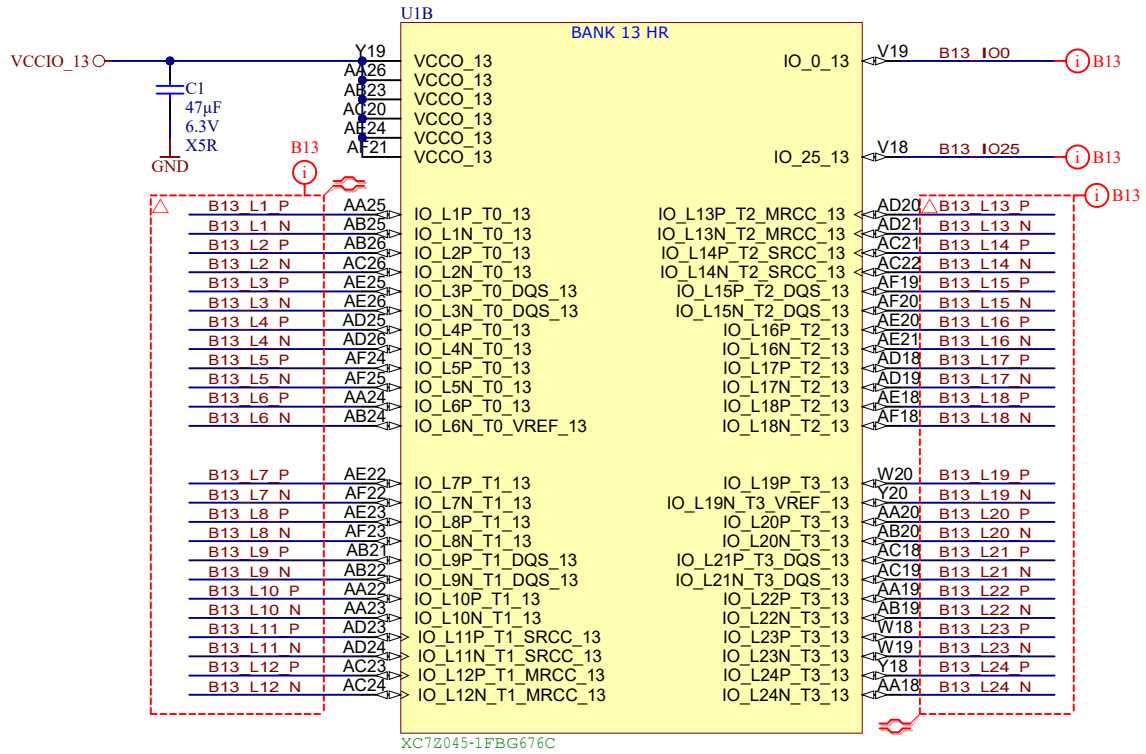


XC7Z045-1FBG676C

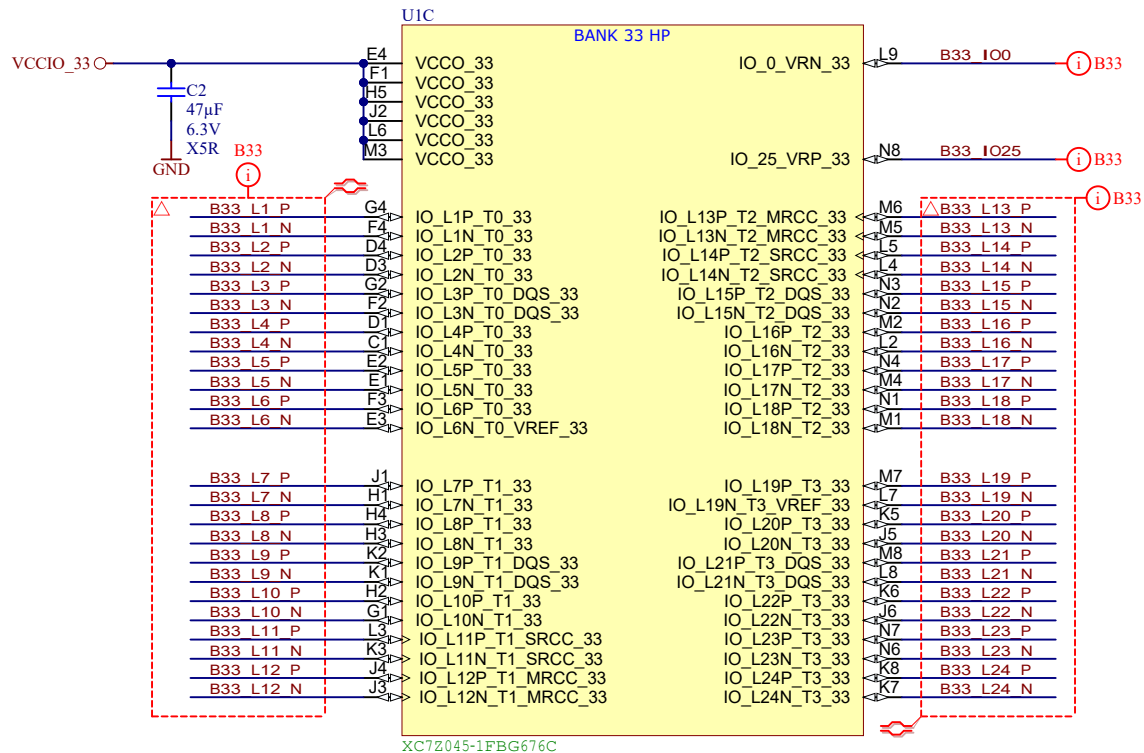


Title: TE0745 - Zynq_B12		
A4	Number: 8 91C31-A	Rev. 02
Date: 2016-04-28	Copyright: Trenz Electronic GmbH / TT	Page 8 of 25
Filename: B12.SchDoc		





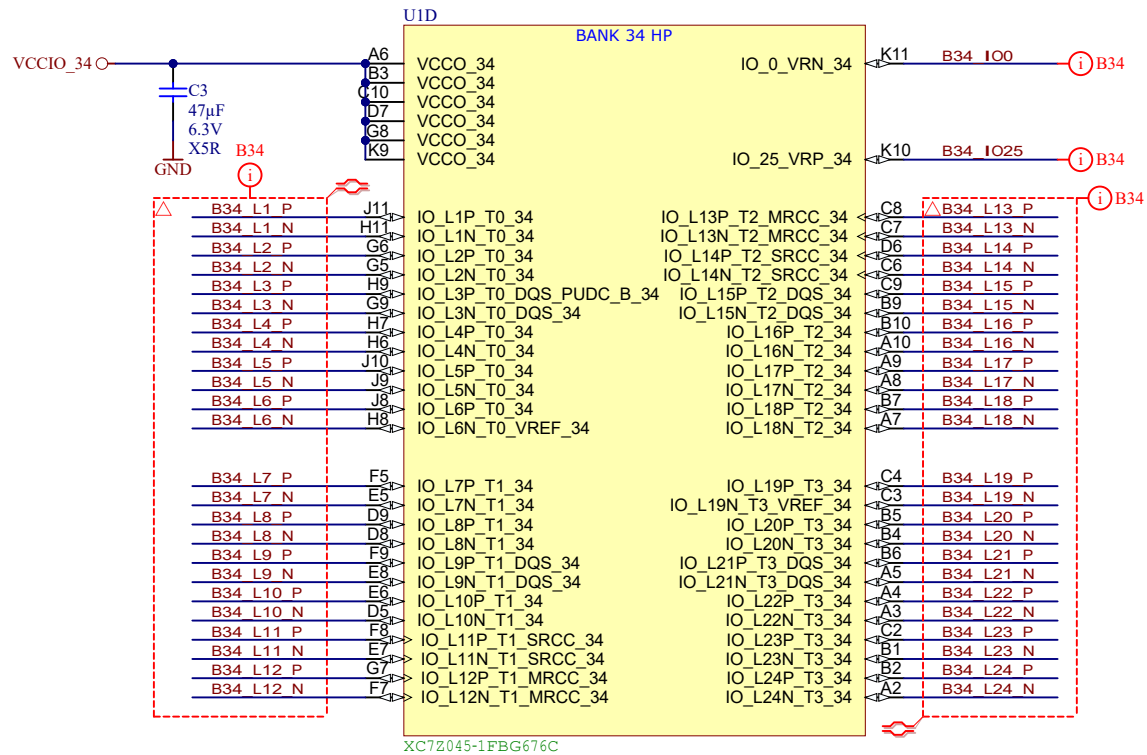
Title: TE0745 - Zynq_B13		
A4	Number: g 91C31-A	Rev. 02
Date: 2016-04-28	Copyright: Trenz Electronic GmbH / TT	Page9 of 25
Filename: B13.SchDoc		



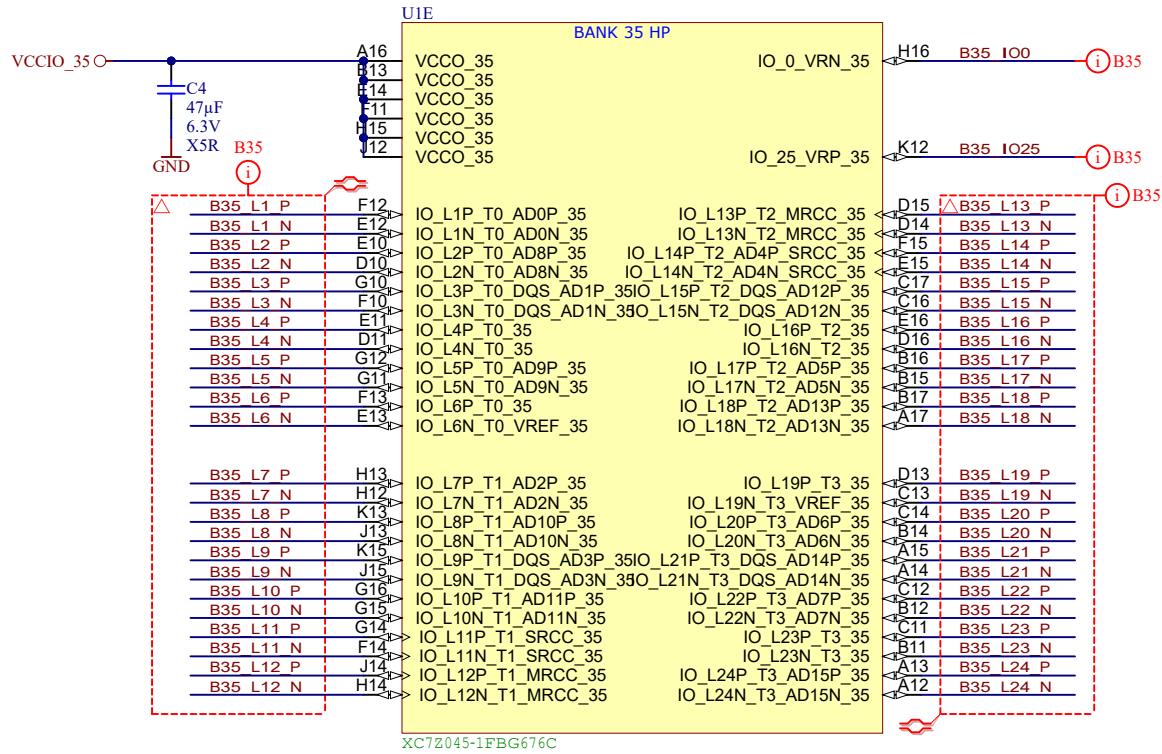
XC7Z045-1FBG676C



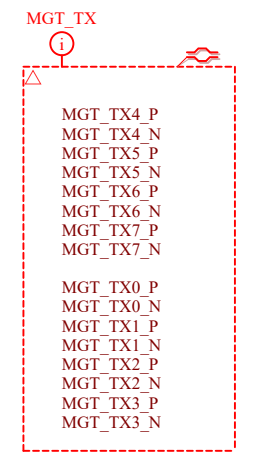
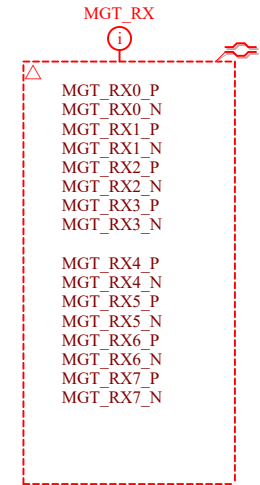
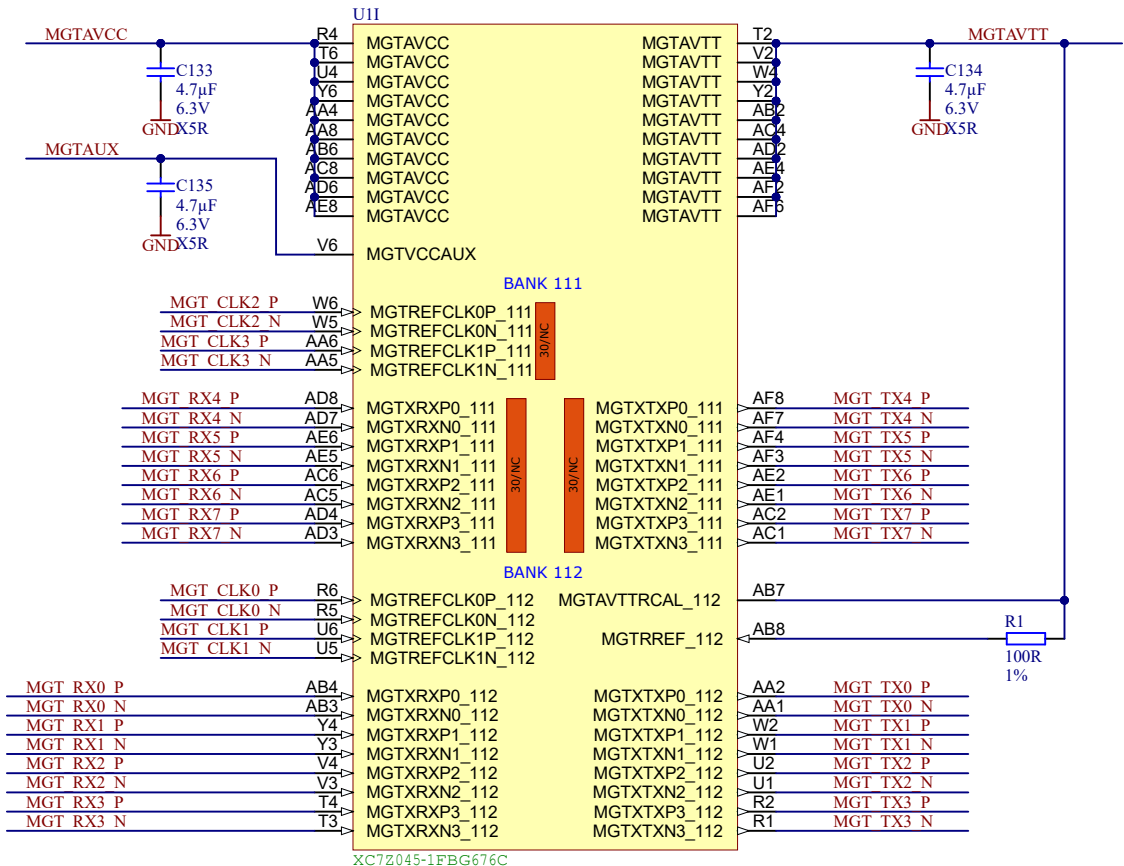
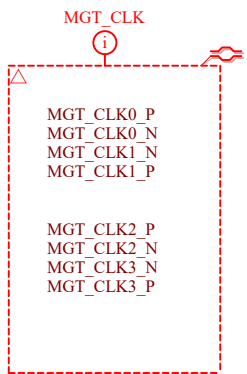
Title: TE0745 - Zynq_B33		
A4	Number: 10 91C31-A	Rev. 02
Date: 2016-04-28	Copyright: Trenz Electronic GmbH / TT	Page 10 of 25
Filename: B33.SchDoc		



Title: TE0745 - Zynq_B34		
A4	Number: 11 91C31-A	Rev. 02
Date: 2016-04-28	Copyright: Trenz Electronic GmbH / TT	Page 11 of 25
Filename: B34.SchDoc		

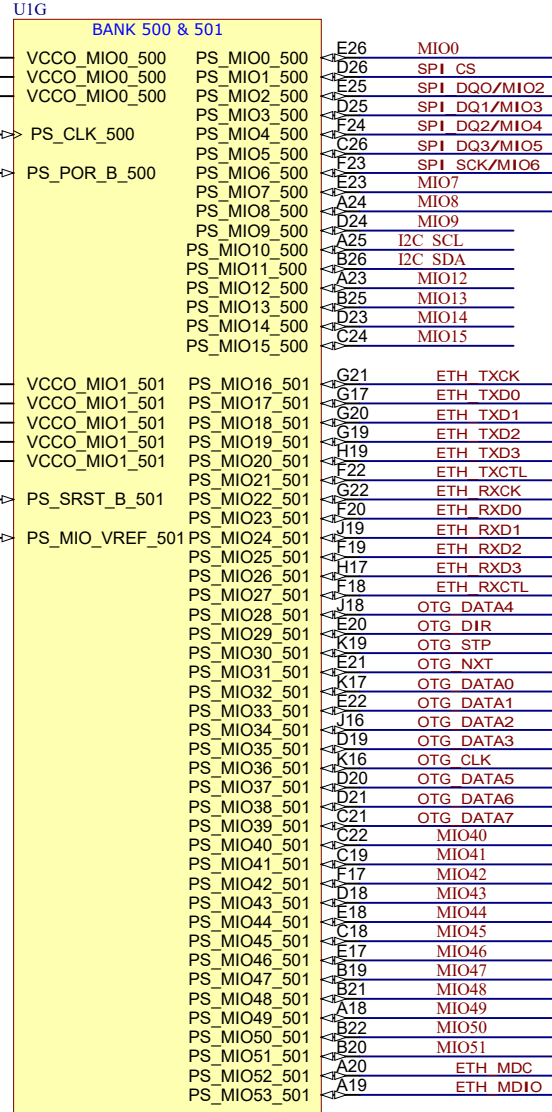
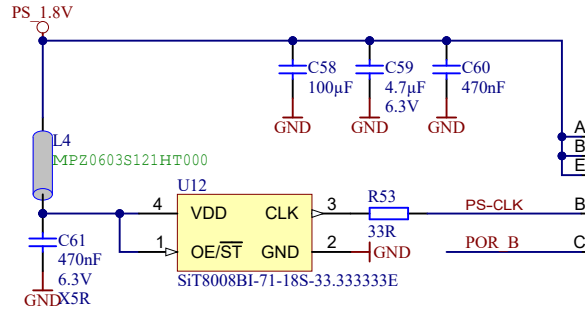


Title: TE0745 - Zynq_B35		
A4	Number: 12 91C31-A	Rev. 02
Date: 2016-04-28	Copyright: Trenz Electronic GmbH / TT	Page 12 of 25
Filename: B35.SchDoc		



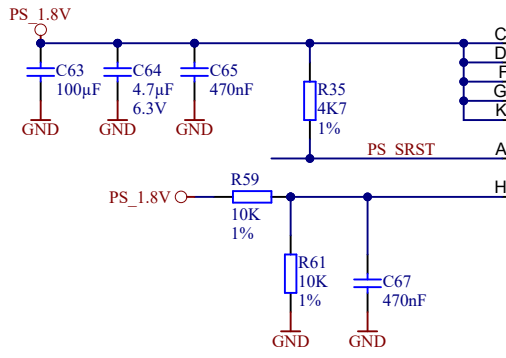
Title: TE0745 - Zynq\_MGT

A4	Number: 13 91C31-A	Rev. 02
Date: 2016-04-28	Copyright: Trenz Electronic GmbH / TT	Page 13 of 25
Filename: FPGA_MGT.SchDoc		

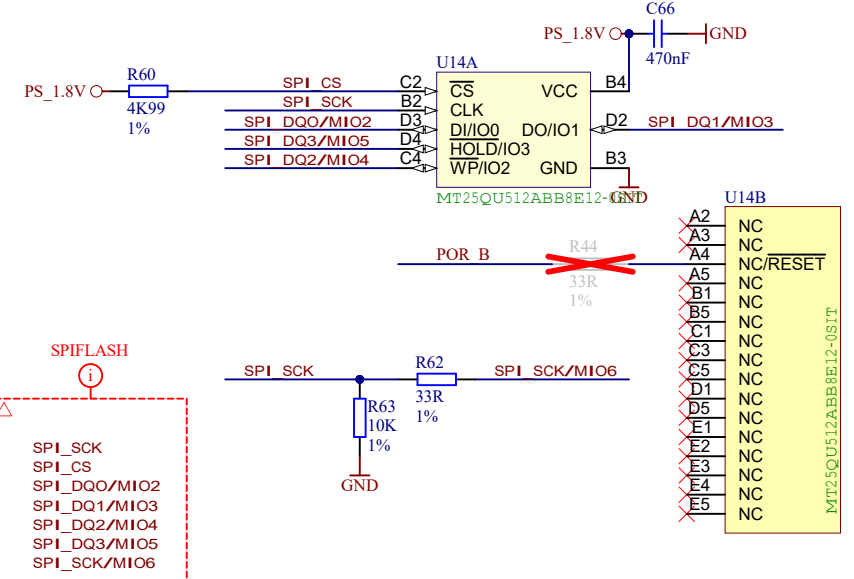
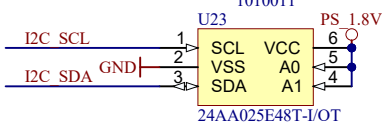


MIO Bank Voltage	MIO7	MIO8
2.5V, 3.3V	0	0
1.8V	1	1

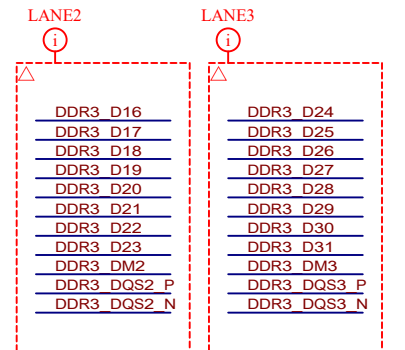
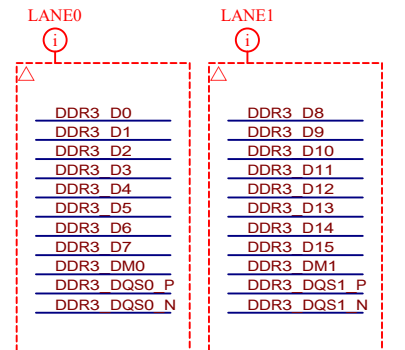
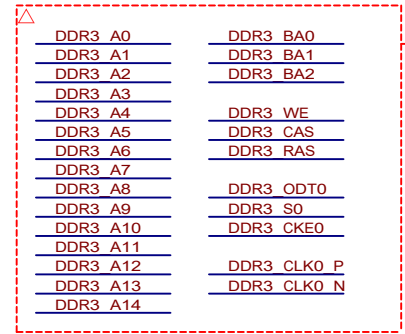
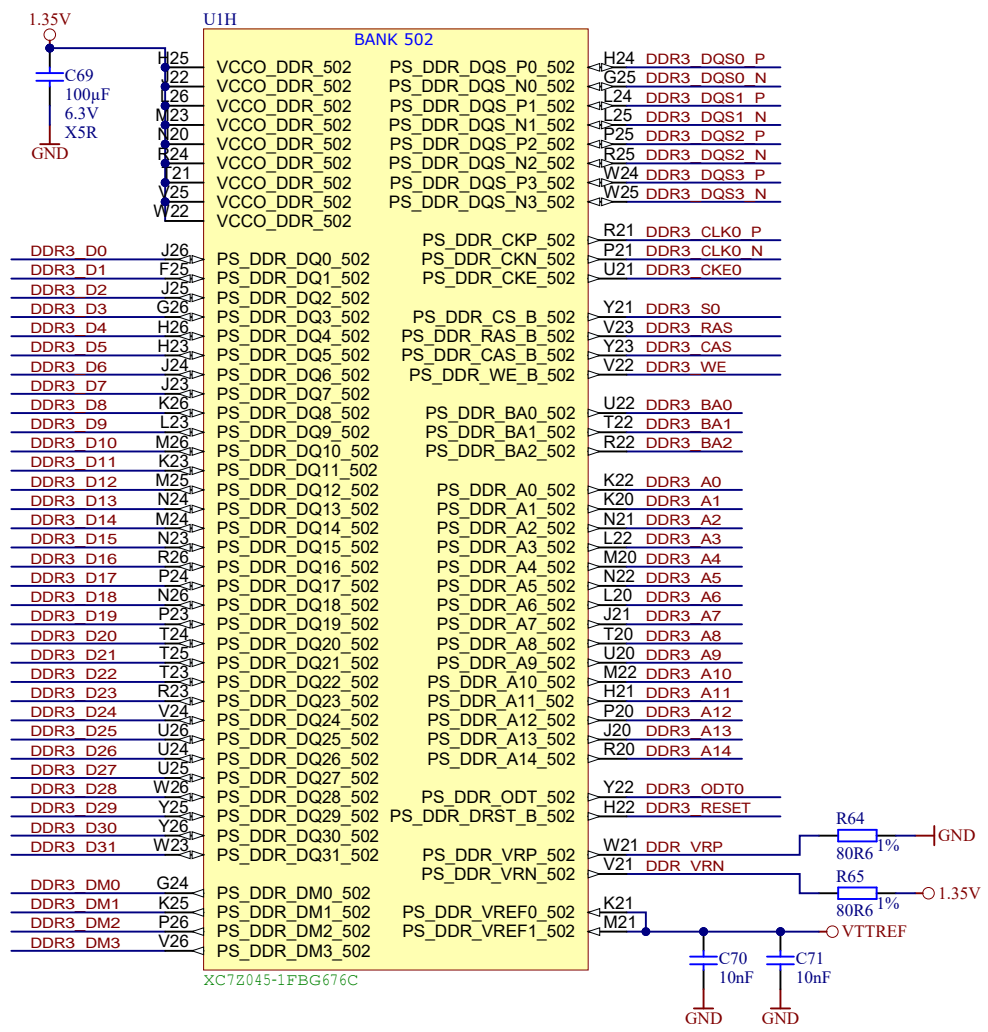
BOOT MODE	MIO5	MIO4	MIO3
JTAG Boot Mode	0	0	0
NOR Boot	0	0	1
NAND	0	1	0
Quad-SPI	1	0	0
SD Card	1	1	0



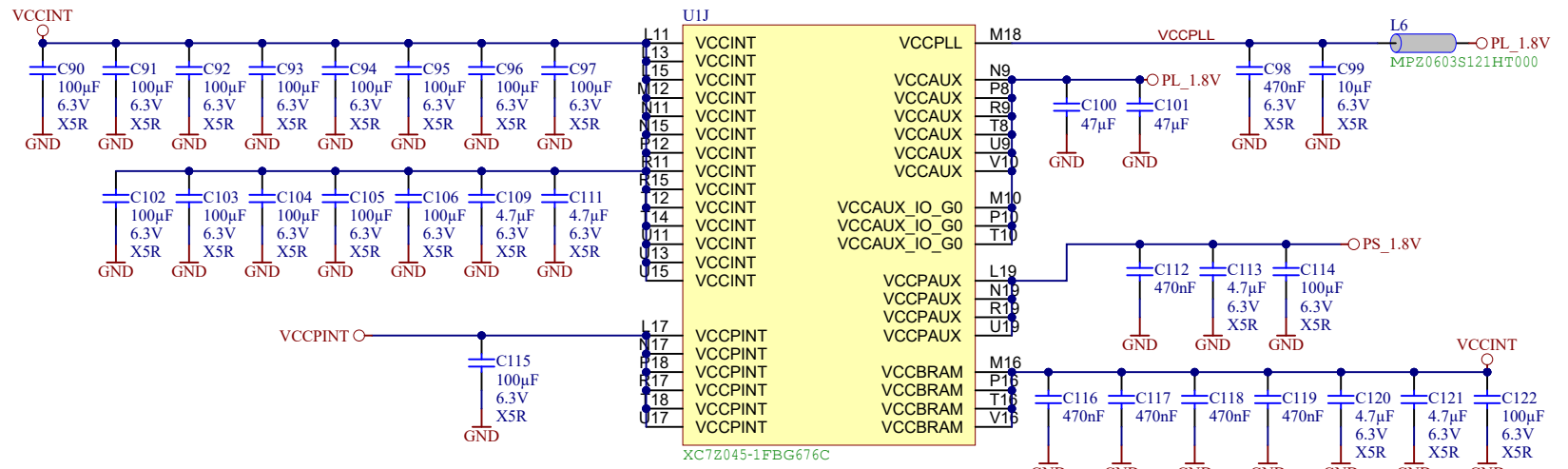
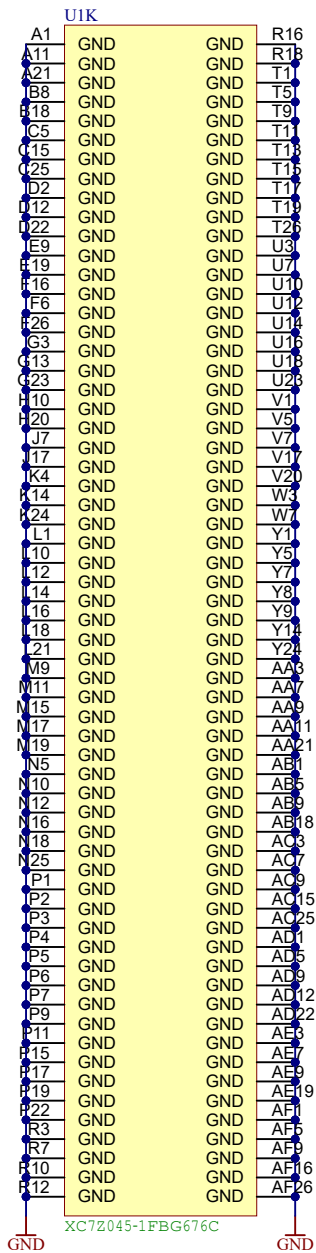
EEPROM for MAC  
Slave ADDR:  
1010011



Title: TE0745 - Zynq_MIO_Banks		
A4	Number: 14 91C31-A	Rev. 02
Date: 2016-04-28	Copyright: Trenz Electronic GmbH / TT	Page 14 of 25
Filename: MIO_B500.SchDoc		



Title: TE0745 - Zynq_PS_DDR		
A4	Number: 15 91C31-A	Rev. 02
Date: 2016-04-28	Copyright: Trenz Electronic GmbH / TT	Page 15 of 25
Filename: PS-DDR.SchDoc		



	Title: TE0745 - Zynq_Power		
	A4	Number: 16 91C31-A	Rev. 02
	Date: 2016-04-28	Copyright: Trenz Electronic GmbH / TT	Page 16 of 25
	Filename: ZYNC_POWER.SchDoc		



A

A

B

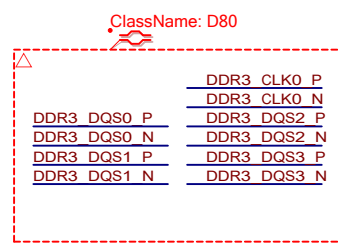
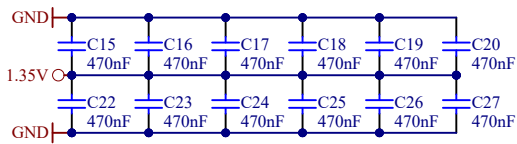
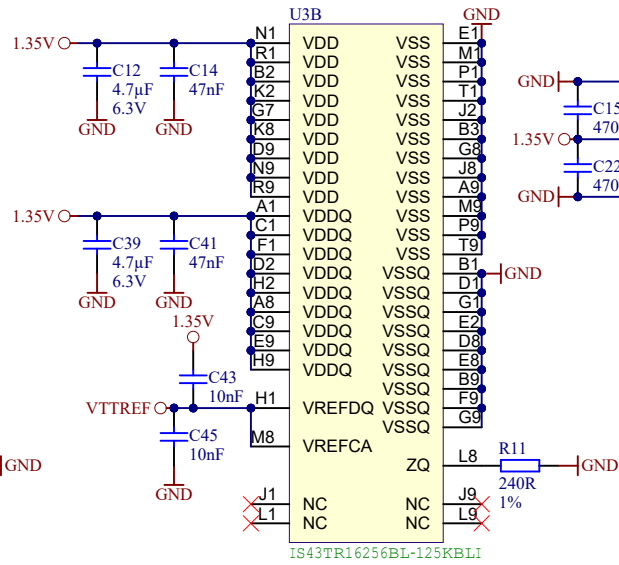
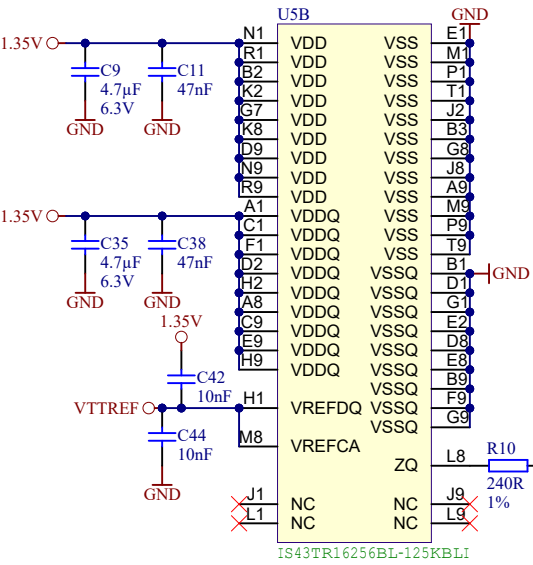
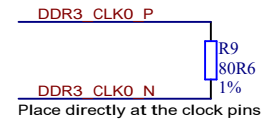
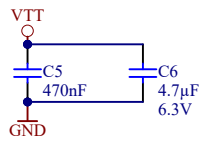
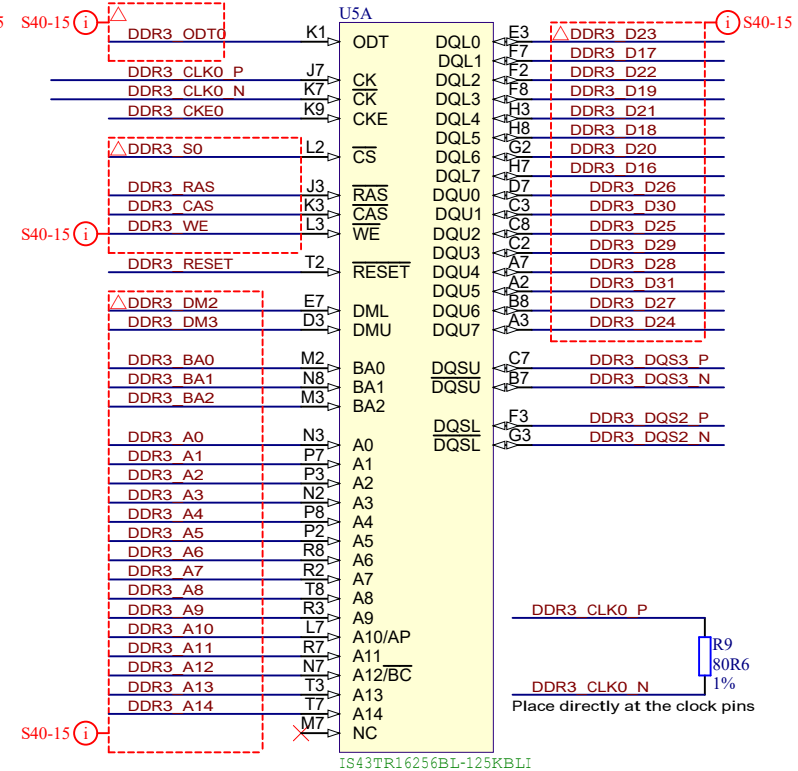
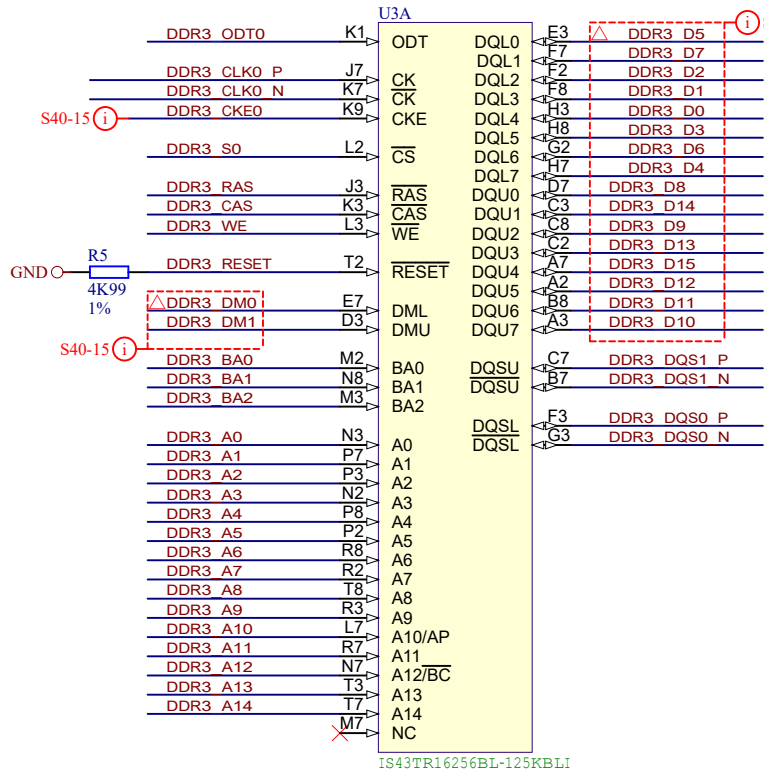
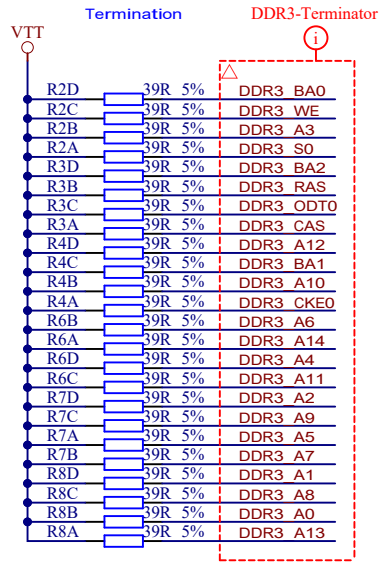
B

C

C

D

D



Title: <b>TE0745 - DDR3 RAM</b>		
A4	Number: <b>17 91C31-A</b>	Rev. <b>02</b>
Date: <b>2016-04-28</b>	Copyright: <b>Trenz Electronic GmbH</b>	Page <b>17</b> of <b>25</b>
Filename: <b>DDR3-RAM.SchDoc</b>		

1

2

3

4

A

A

B

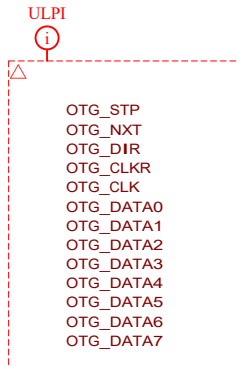
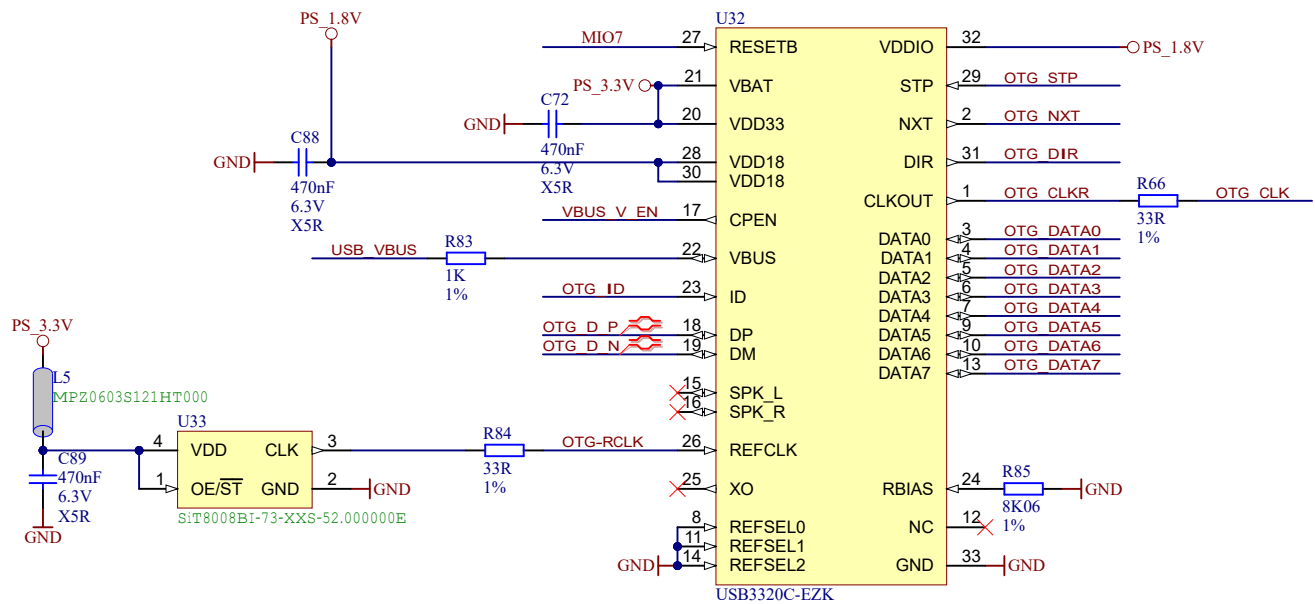
B

C

C

D

D



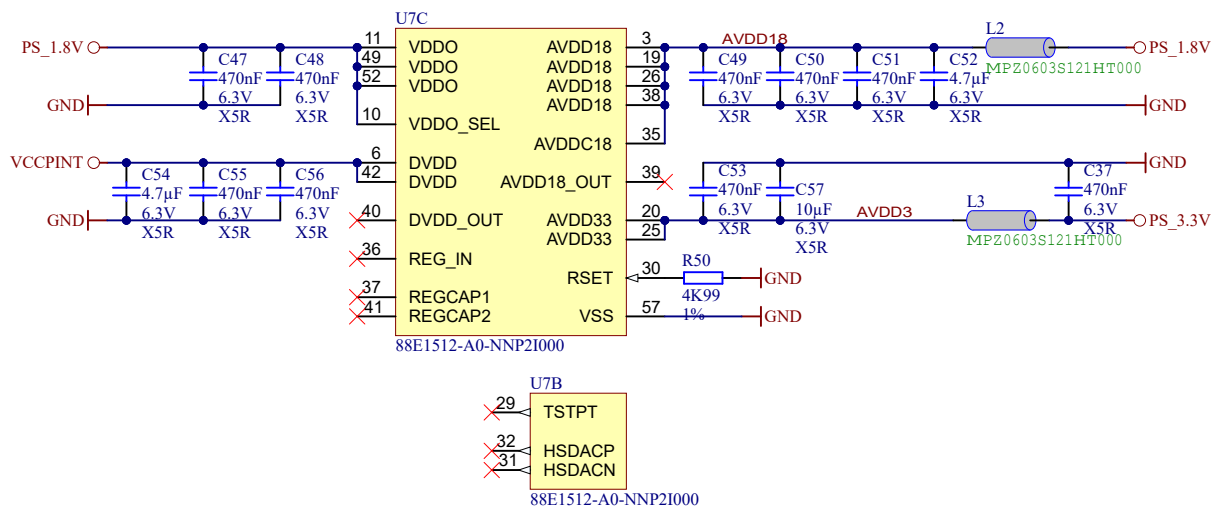
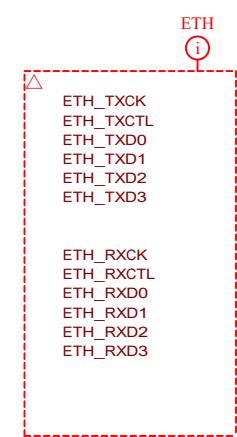
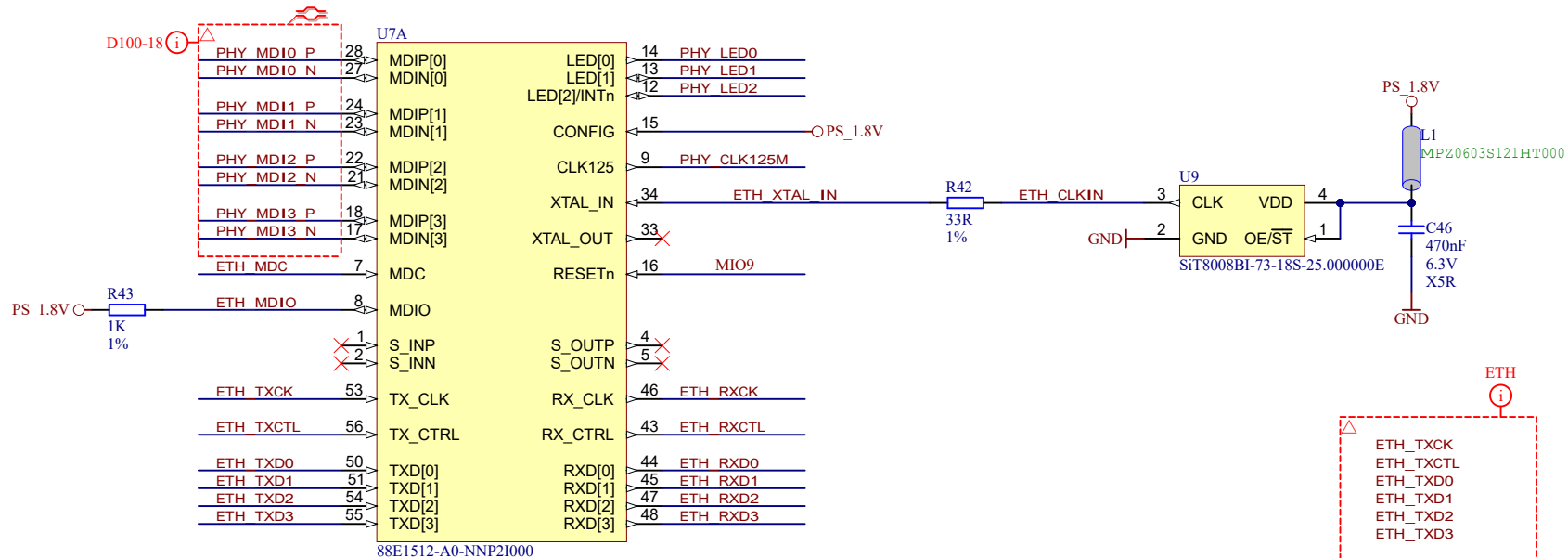
Title: TE0745 - USB_PHY		
A4	Number: 18 91C31-A	Rev. 02
Date: 2016-04-28	Copyright: Trenz Electronic GmbH / TT	Page 18 of 25
Filename: USB-PHY.SchDoc		

1

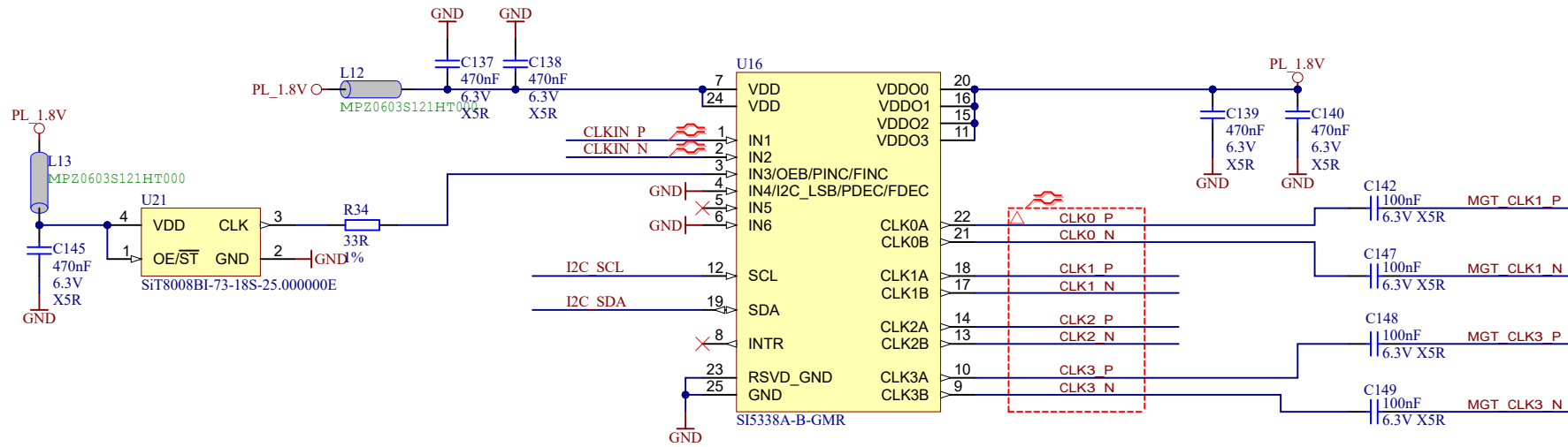
2

3


4

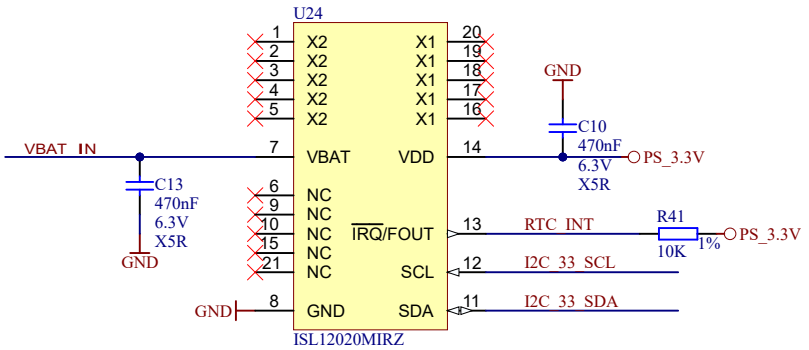


Title: TE0745 - ETH_PHY		
A4	Number: 19 91C31-A	Rev. 02
Date: 2016-04-28	Copyright: Trenz Electronic GmbH / TT	Page 19 of 25
Filename: ETH-PHY.SchDoc		

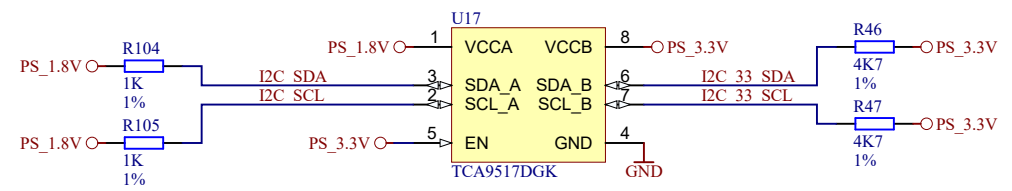


Slave ADDR:  
1110000 OR 1110001

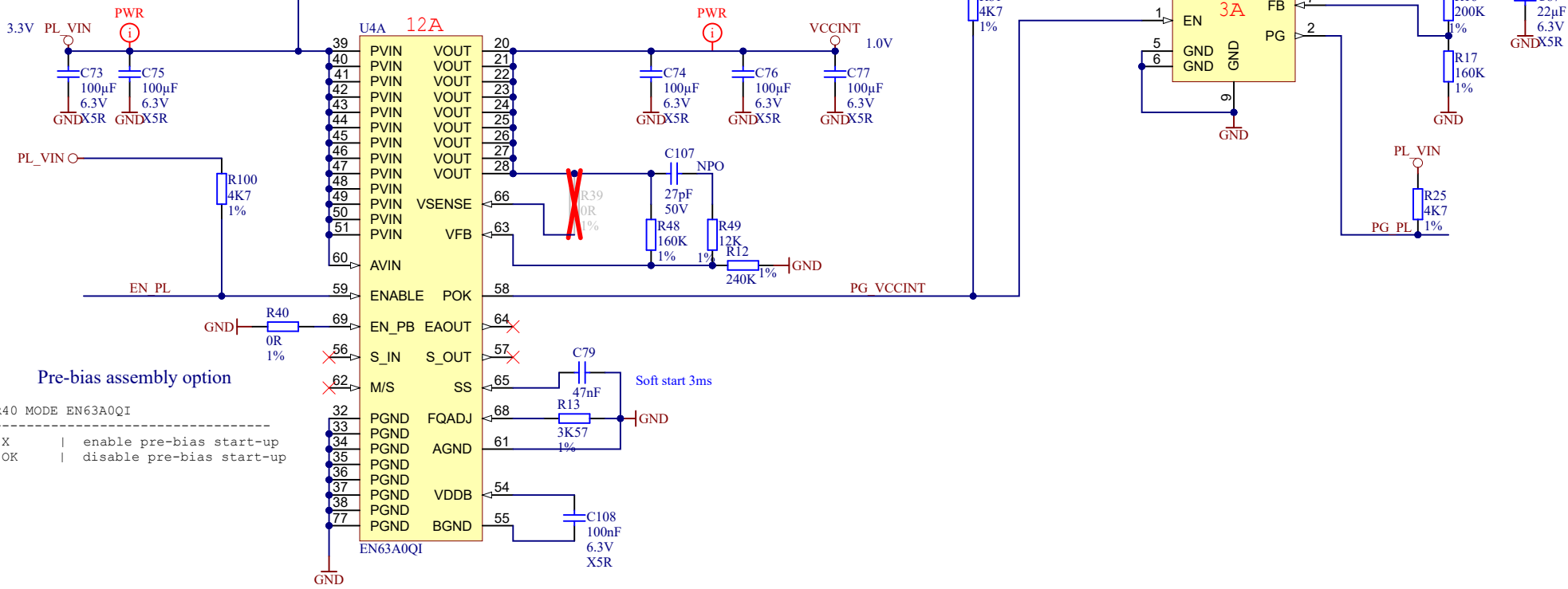
		Title: TE0745 - CLK	
		A4	Number: 20 91C31-A
Date: 2016-04-28		Copyright: Trenz Electronic GmbH / TT	
Filename: CLK.SchDoc		Page 20 of 25	



Slave ADDR:  
 for RTC registers: 1101111  
 for User SRAM: 1010111



	Title: TE0745 - RTC		
	A4	Number: 21 91C31-A	Rev. 02
	Date: 2016-04-28	Copyright: Trenz Electronic GmbH / TT	Page 21 of 25
	Filename: SENSOR-RTC.SchDoc		




**Pre-bias assembly option**

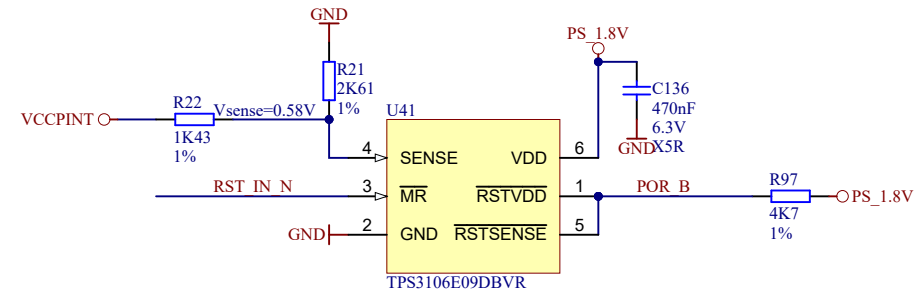
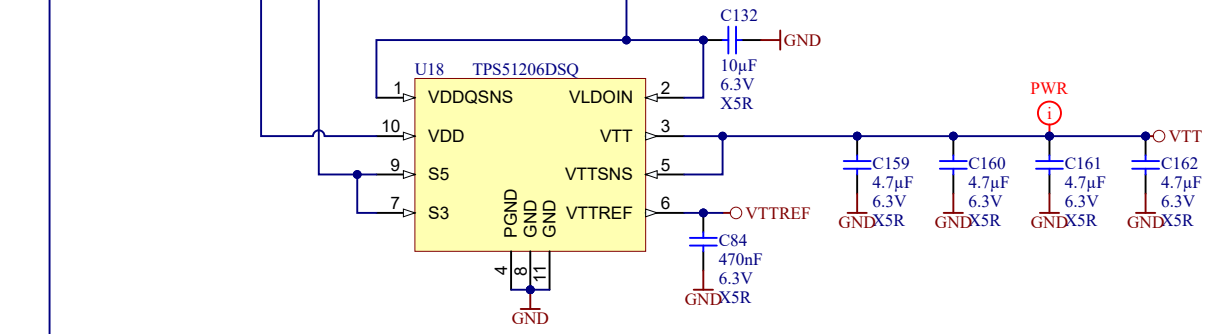
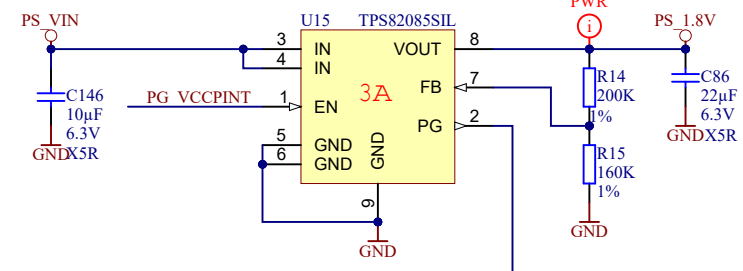
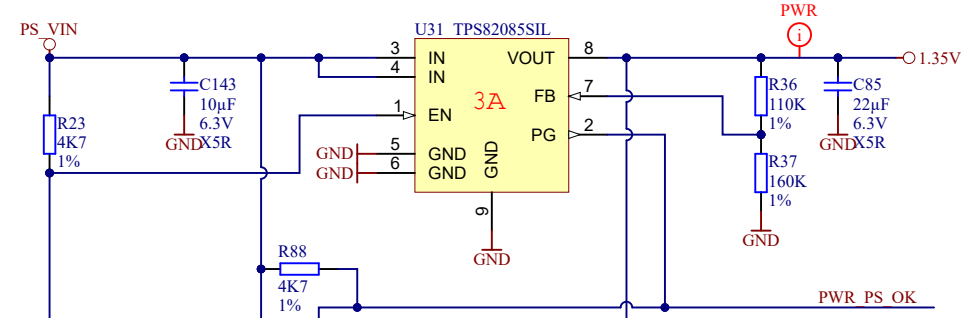
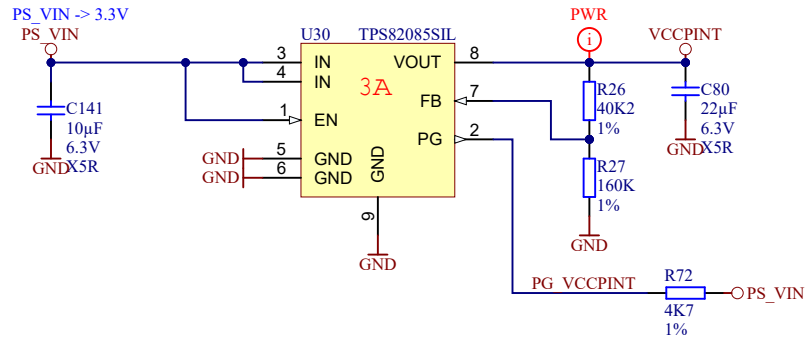
R39 R40 MODE EN63A0QI  
 OK X | enable pre-bias start-up  
 X OK | disable pre-bias start-up

U4B  
EN63A0QI

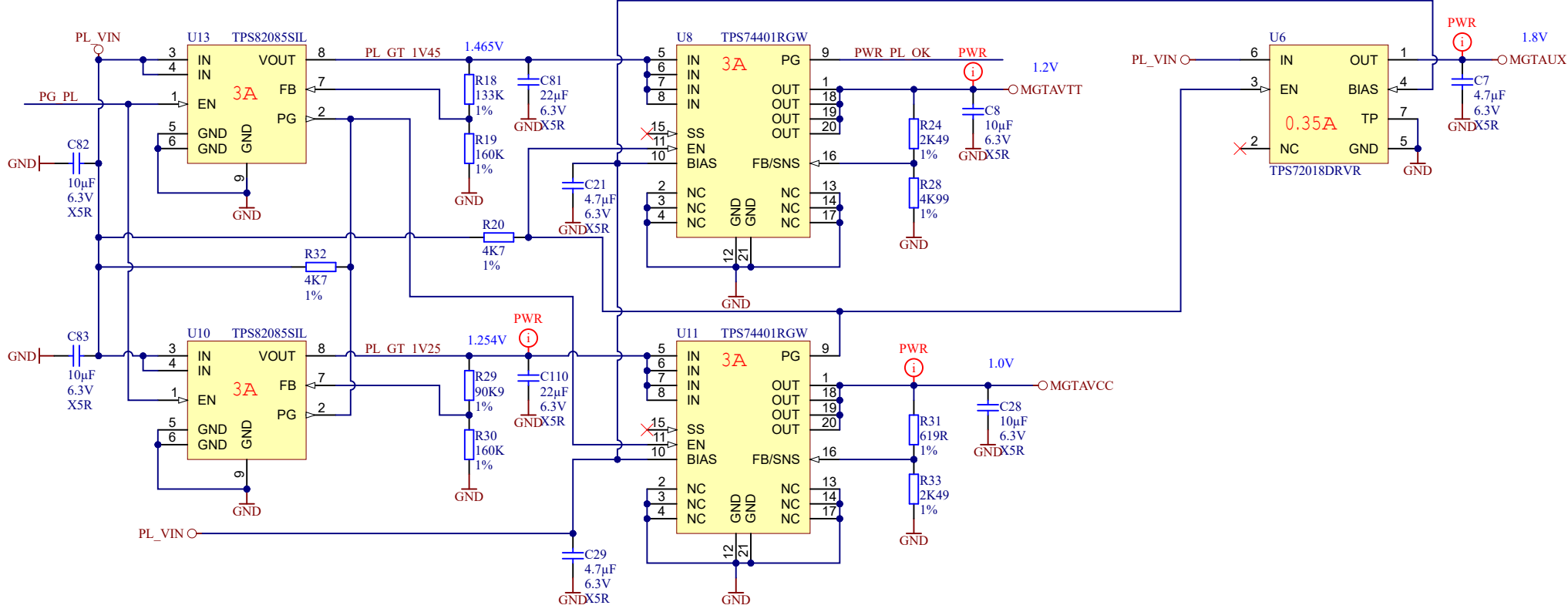
1	NC	NC	17
2	NC	NC	18
3	NC	NC	19
4	NC	NC	29
5	NC	NC(SW)	30
6	NC	NC(SW)	31
7	NC	NC	52
8	NC	NC	53
9	NC	NC	67
10	NC	NC(SW)	70
11	NC	NC(SW)	71
12	NC	NC	72
13	NC	NC	73
14	NC	NC	74
15	NC	NC	75
16	NC	NC	76




Title: TE0745 - Power		
A4	Number: 22 91C31-A	Rev. 02
Date: 2016-04-28	Copyright: Trenz Electronic GmbH / TT	Page 22 of 25
Filename: POWER.SchDoc		

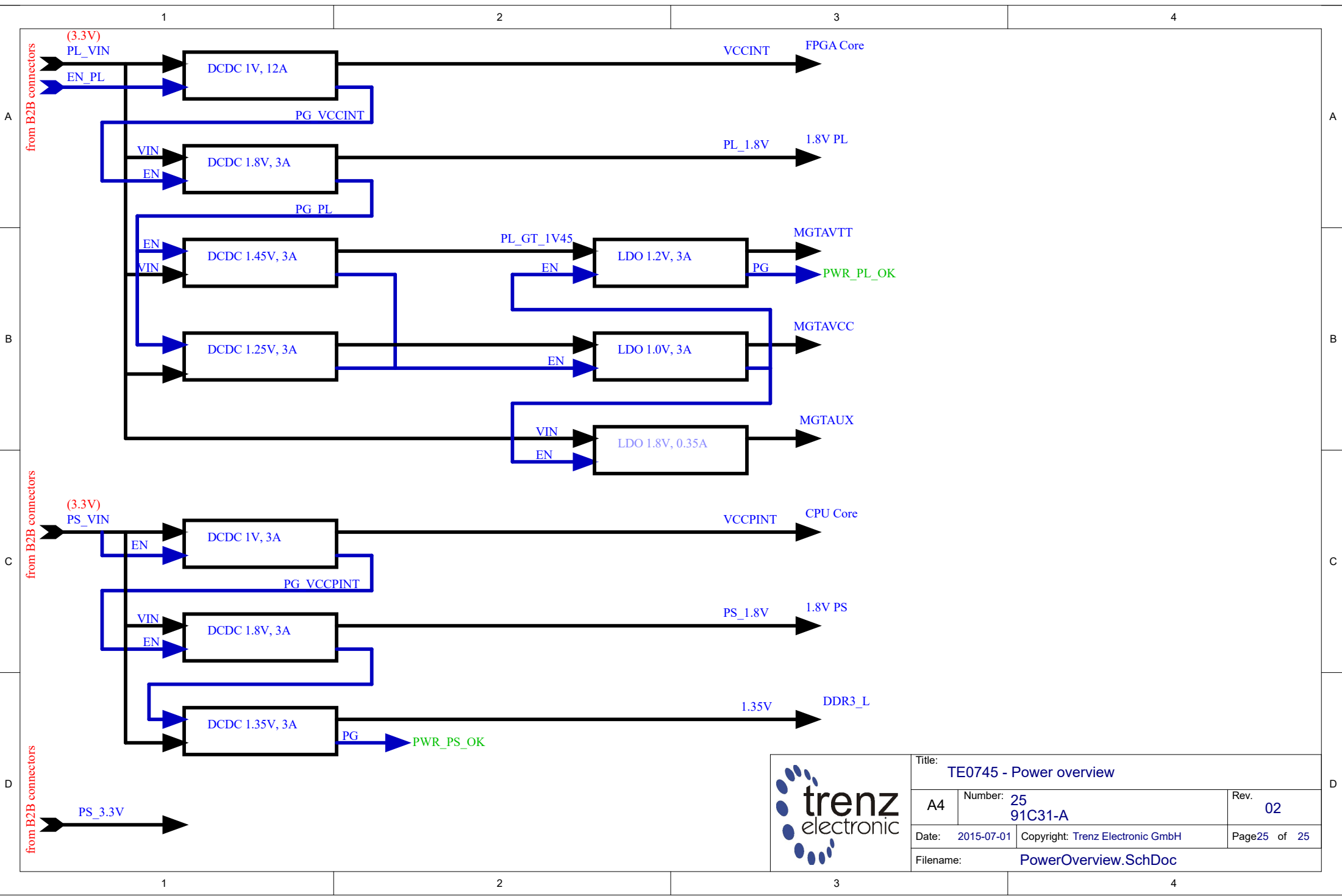


Title: TE0745 - Power2		
A4	Number: 23 91C31-A	Rev. 02
Date: 2016-04-28	Copyright: Trenz Electronic GmbH / TT	Page 23 of 25
Filename: POWER_2.SchDoc		



	Title: TE0745 - Power3		
	A4	Number: 24 91C31-A	Rev. 02
	Date: 2016-04-28	Copyright: Trenz Electronic GmbH / TT	Page24 of 25
	Filename: POWER_3.SchDoc		





Title: TE0745 - Power overview		
A4	Number: 25 91C31-A	Rev. 02
Date: 2015-07-01	Copyright: Trenz Electronic GmbH	Page 25 of 25
Filename: PowerOverview.SchDoc		