

1

2

3

4

CHANGES REV01 to REV02

- 1) MAC EEPROM Address patch fixed on PCB
- 2) lib components update

A

A

B

B


C

C

D

D

Assembly variant	91C31-AZ
Created by	ED
Modified by	ED
Modified at	2023-01-11
SVN Version	8496

	Title: TE0745		
	A4	Number: 1 91C31-AZ	Rev. 02
	Date: 2016-04-28	Copyright: Trenz Electronic GmbH / TT	Page1 of 25
	Filename: Revision Changes.SchDoc		

1

2

3

4

U_J1
J1.SchDoc

U_J2
J2.SchDoc

U_J3
J3.SchDoc

U_ZYNQ
ZYNQ.SchDoc

U_POWER
POWER.SchDoc

U_POWER_2
POWER_2.SchDoc

U_RTC
SENSOR-RTC.SchDoc

U_POWER_3
POWER_3.SchDoc

U_CLK
CLK.SchDoc

U_DDR3
DDR3-RAM.SchDoc

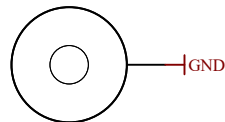
U_ETH_PHY
ETH-PHY.SchDoc

U_USB_PHY
USB-PHY.SchDoc

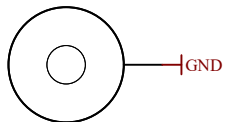
U_PowerOverview
PowerOverview.SchDoc

U_Revision Changes
Revision Changes.SchDoc

LOGO1
TE Logo PRINT Layer
LOGO PRINT

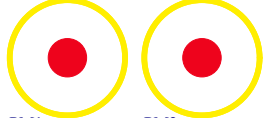


Mount.Hole 3.2mm für Unterlegscheibe



Mount.Hole 3.2mm für Unterlegscheibe

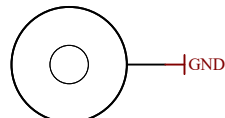
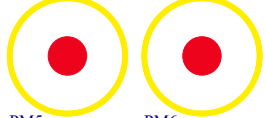
FIDU-DOT - small FIDU-DOT - small



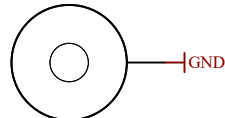
PM1 FIDU-DOT - small FIDU-DOT - small



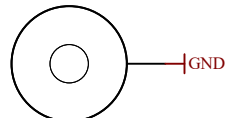
PM3 FIDU-DOT - small FIDU-DOT - small



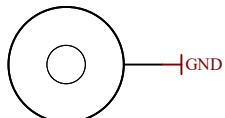
Mount.Hole 3.2mm für Unterlegscheibe



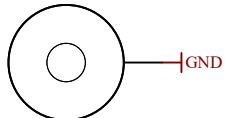
Mount.Hole 3.2mm für Unterlegscheibe



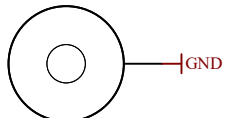
Mount.Hole 3.2mm für Unterlegscheibe



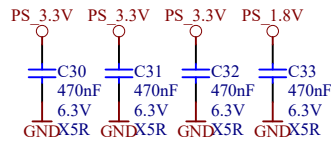
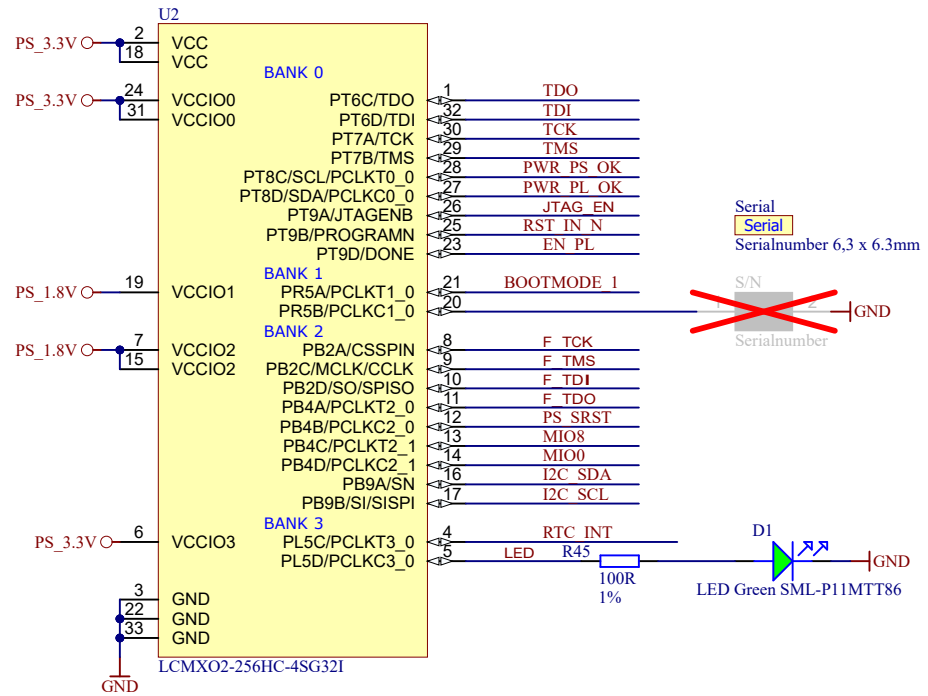
Mount.Hole 3.2mm für Unterlegscheibe



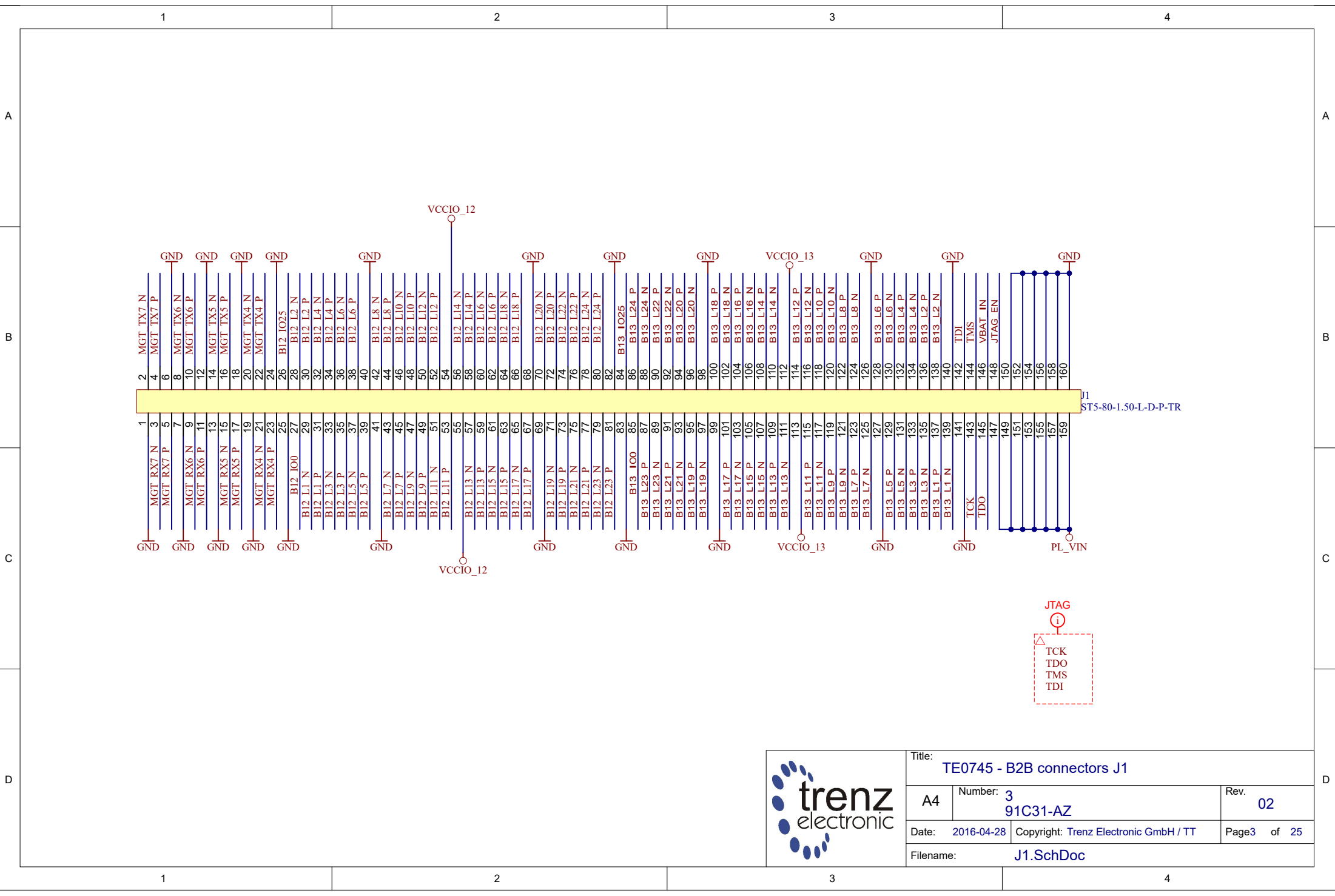
Mount.Hole 3.2mm für Unterlegscheibe



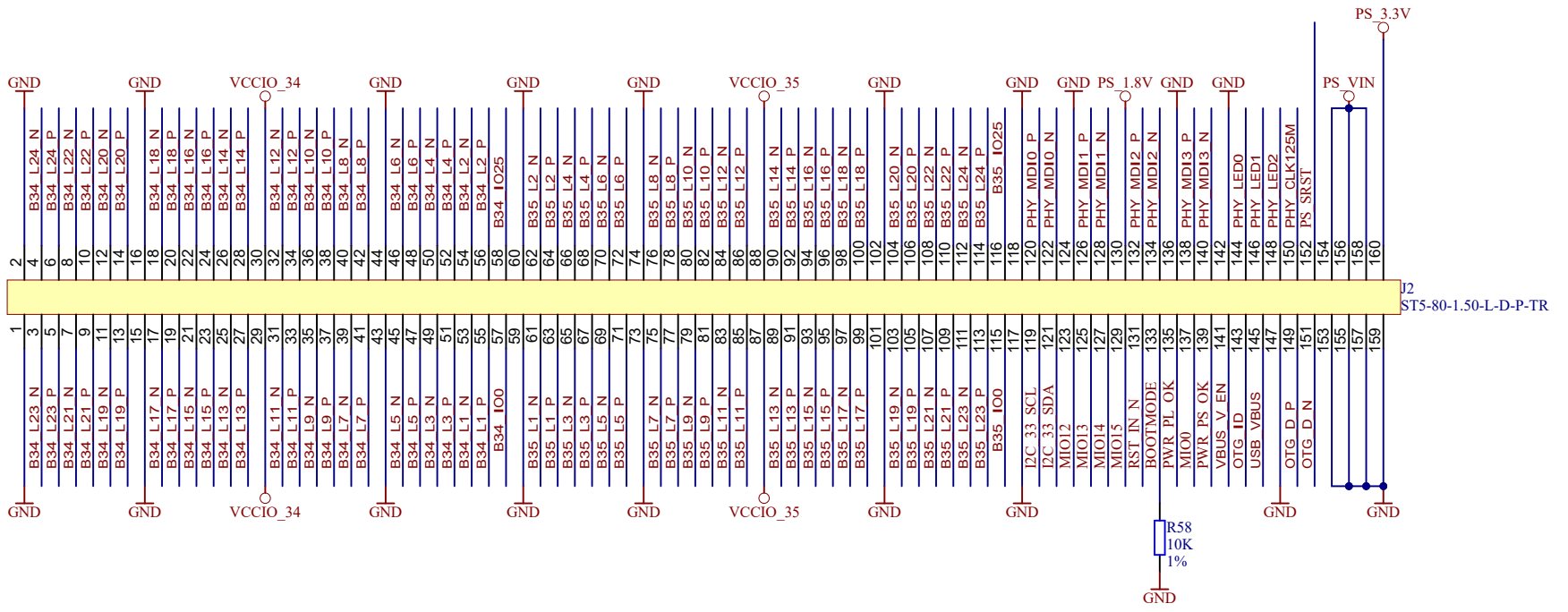
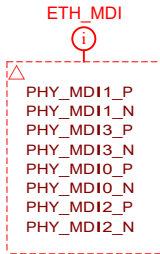

Mount.Hole 3.2mm für Unterlegscheibe



	Title: TE0745		
	A4	Number: 2 91C31-AZ	Rev. 02
	Date: 2016-04-28	Copyright: Trenz Electronic GmbH / TT	Page 2 of 25
	Filename: TE0745.SchDoc		

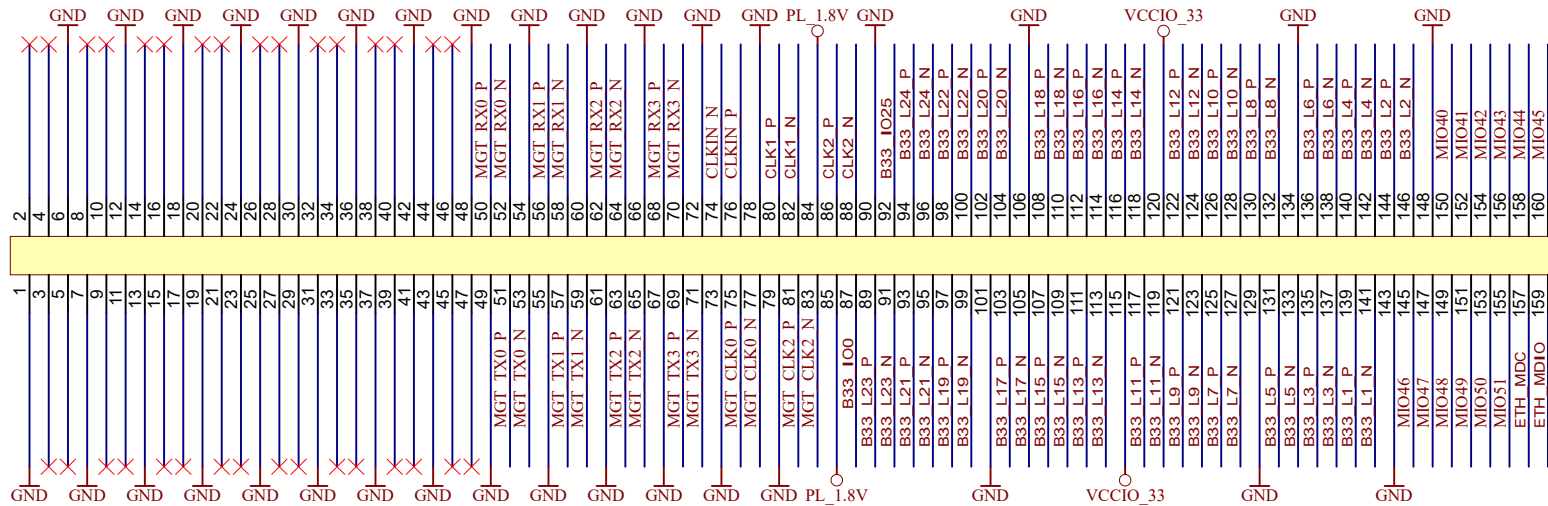


Title: TE0745 - B2B connectors J1		
A4	Number: 3 91C31-AZ	Rev. 02
Date: 2016-04-28	Copyright: Trenz Electronic GmbH / TT	Page3 of 25
Filename: J1.SchDoc		

Title: TE0745 - B2B connectors J2		
A4	Number: 4 91C31-AZ	Rev. 02
Date: 2016-04-28	Copyright: Trenz Electronic GmbH / TT	Page4 of 25
Filename: J2.SchDoc		

RESERVED for additional 8 GTX lanes



J3
ST5-80-1.50-L-D-P-TR



Title: TE0745 - B2B connectors J3		
A4	Number: 5 91C31-AZ	Rev. 02
Date: 2016-04-28	Copyright: Trenz Electronic GmbH / TT	Page5 of 25
Filename: J3.SchDoc		

1

2

3

4

U_B12
B12.SchDoc



U_B500
MIO_B500.SchDoc



U_B13
B13.SchDoc



U_PS_DDR
PS-DDR.SchDoc



U_B33
B33.SchDoc



U_MISC
ZYNQ_MISC.SchDoc



U_B34
B34.SchDoc



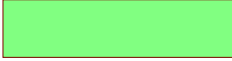
U_ZYNQ_POWER
ZYNQ_POWER.SchDoc



U_B35
B35.SchDoc



U_FPGA_MGT
FPGA_MGT.SchDoc



A

A

B

B

C

C

D

D

1

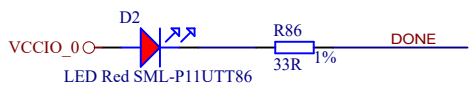
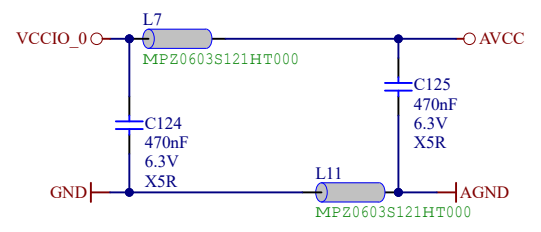
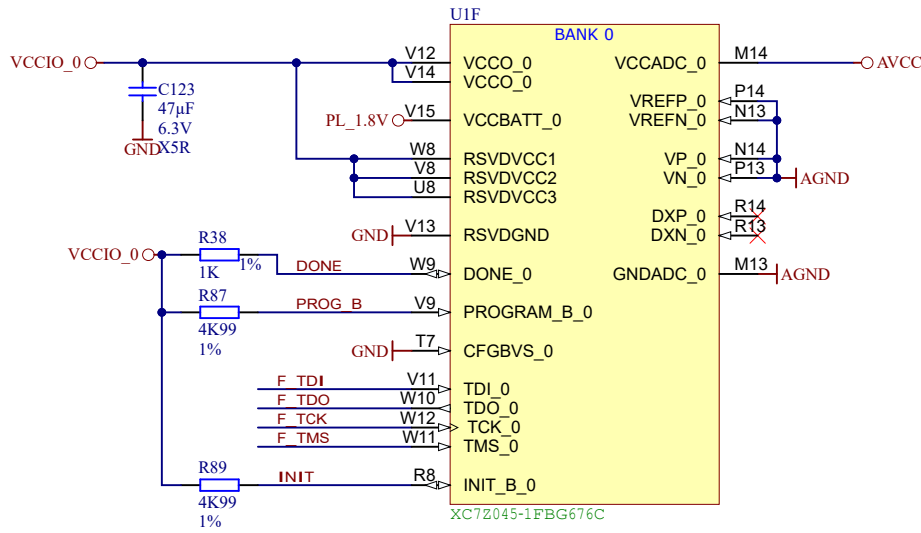
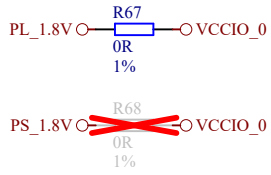
2

3

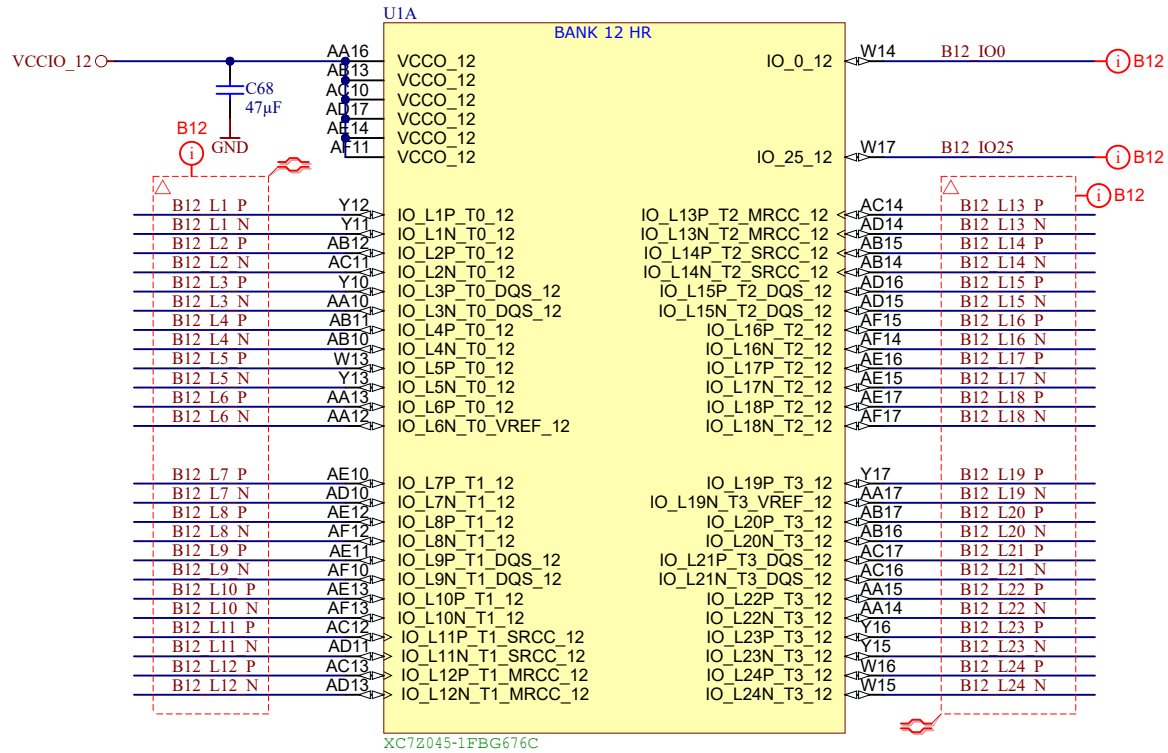
4



Title: TE0745 - Zynq		
A4	Number: 6 91C31-AZ	Rev. 02
Date: 2016-04-28	Copyright: Trenz Electronic GmbH / TT	Page6 of 25
Filename: ZYNQ.SchDoc		



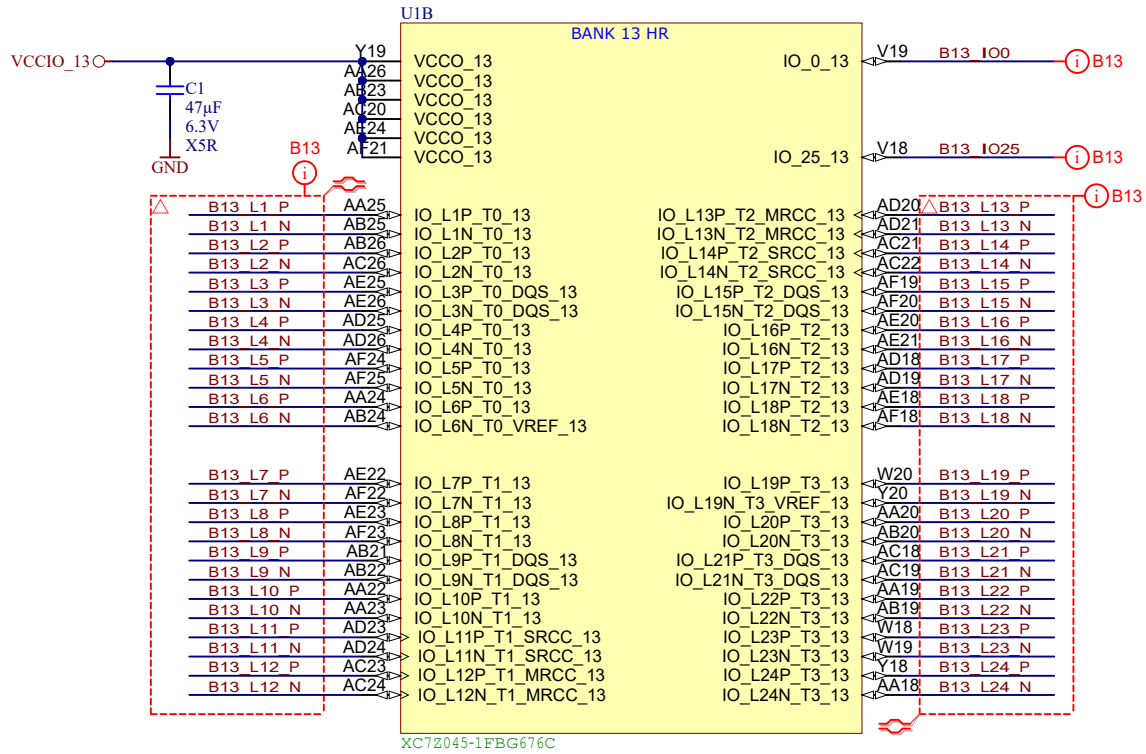
Title: TE0745 - Zynq_MISC		
A4	Number: 7 91C31-AZ	Rev. 02
Date: 2016-04-28	Copyright: Trenz Electronic GmbH / TT	Page 7 of 25
Filename: ZYNQ_MISC.SchDoc		



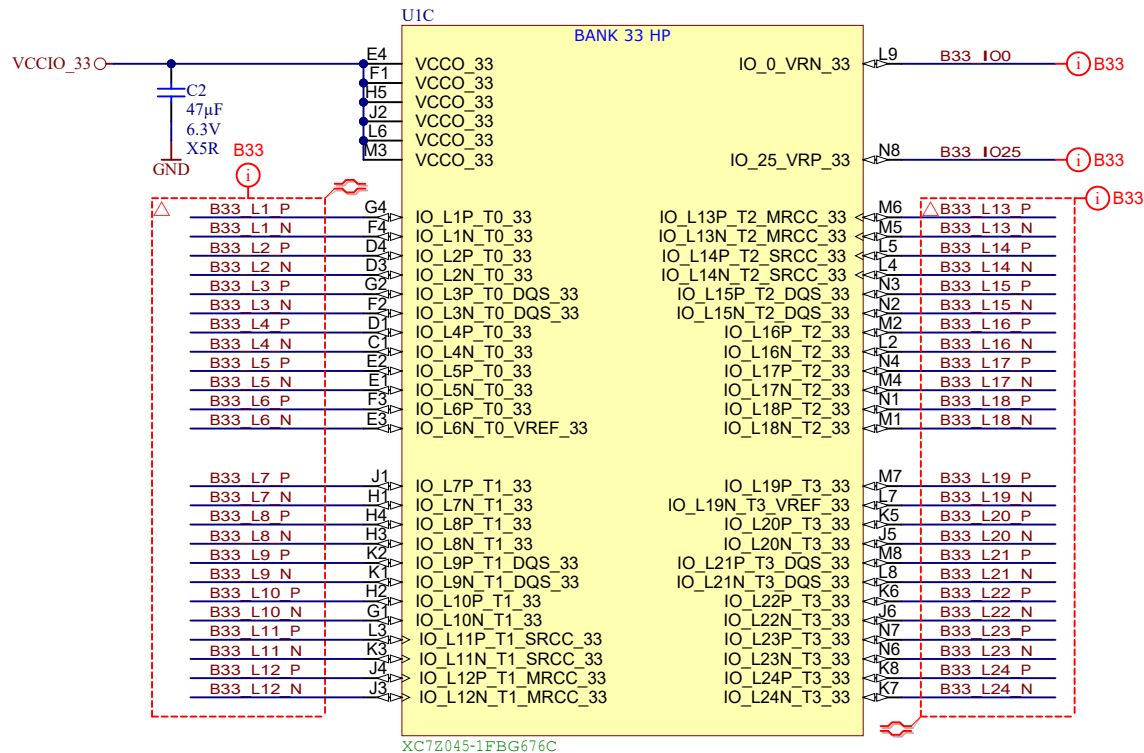
XC7Z045-1FBG676C



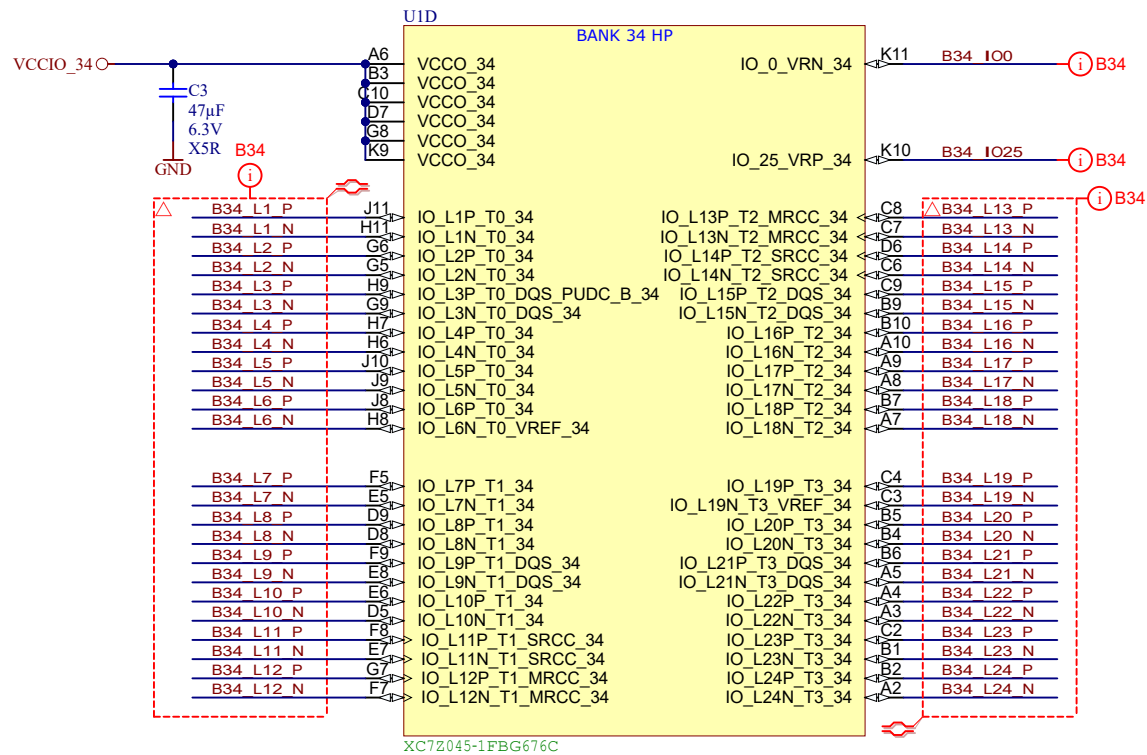
Title: TE0745 - Zynq_B12		
A4	Number: 8 91C31-AZ	Rev. 02
Date: 2016-04-28	Copyright: Trenz Electronic GmbH / TT	Page 8 of 25
Filename: B12.SchDoc		



Title: TE0745 - Zynq_B13		
A4	Number: g 91C31-AZ	Rev. 02
Date: 2016-04-28	Copyright: Trenz Electronic GmbH / TT	Page9 of 25
Filename: B13.SchDoc		



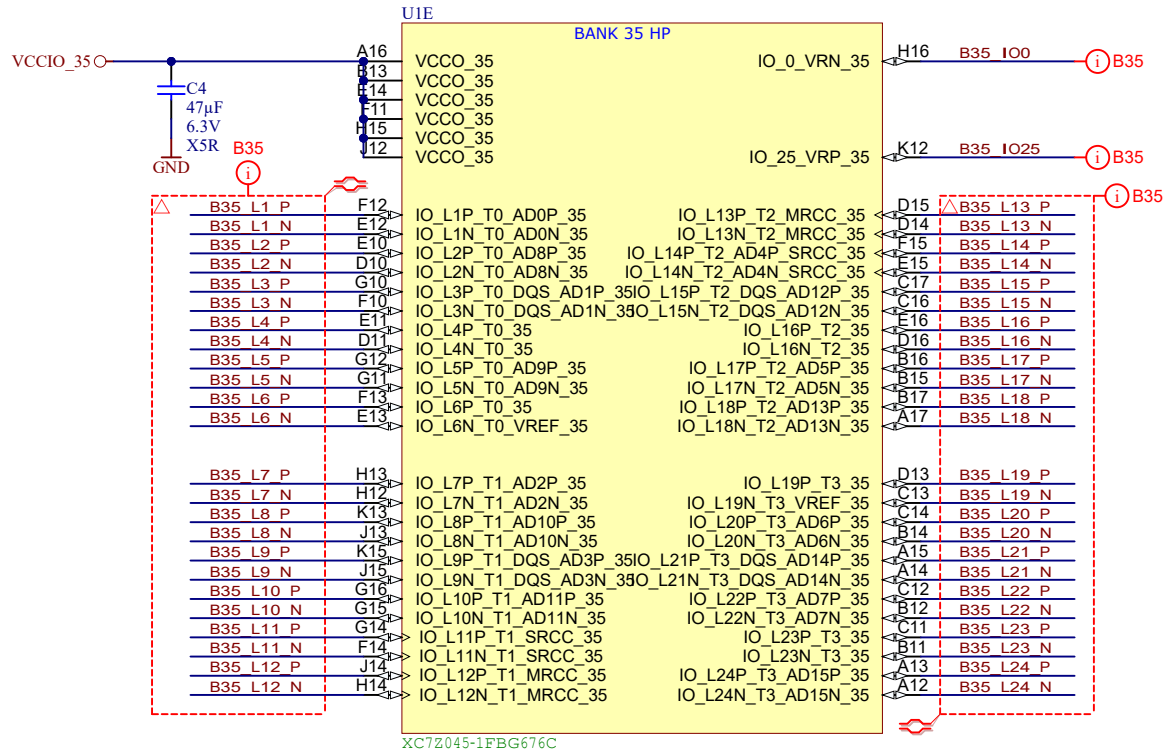
Title: TE0745 - Zynq_B33		
A4	Number: 10 91C31-AZ	Rev. 02
Date: 2016-04-28	Copyright: Trenz Electronic GmbH / TT	Page10 of 25
Filename: B33.SchDoc		



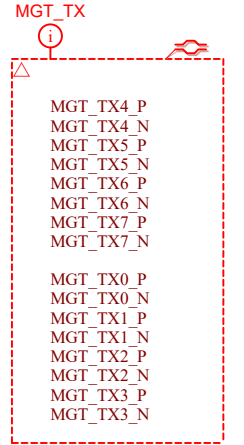
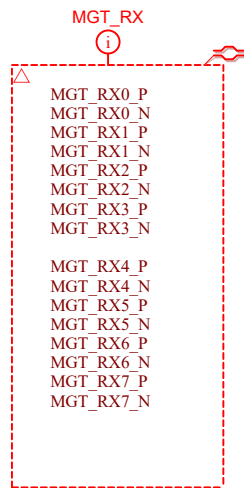
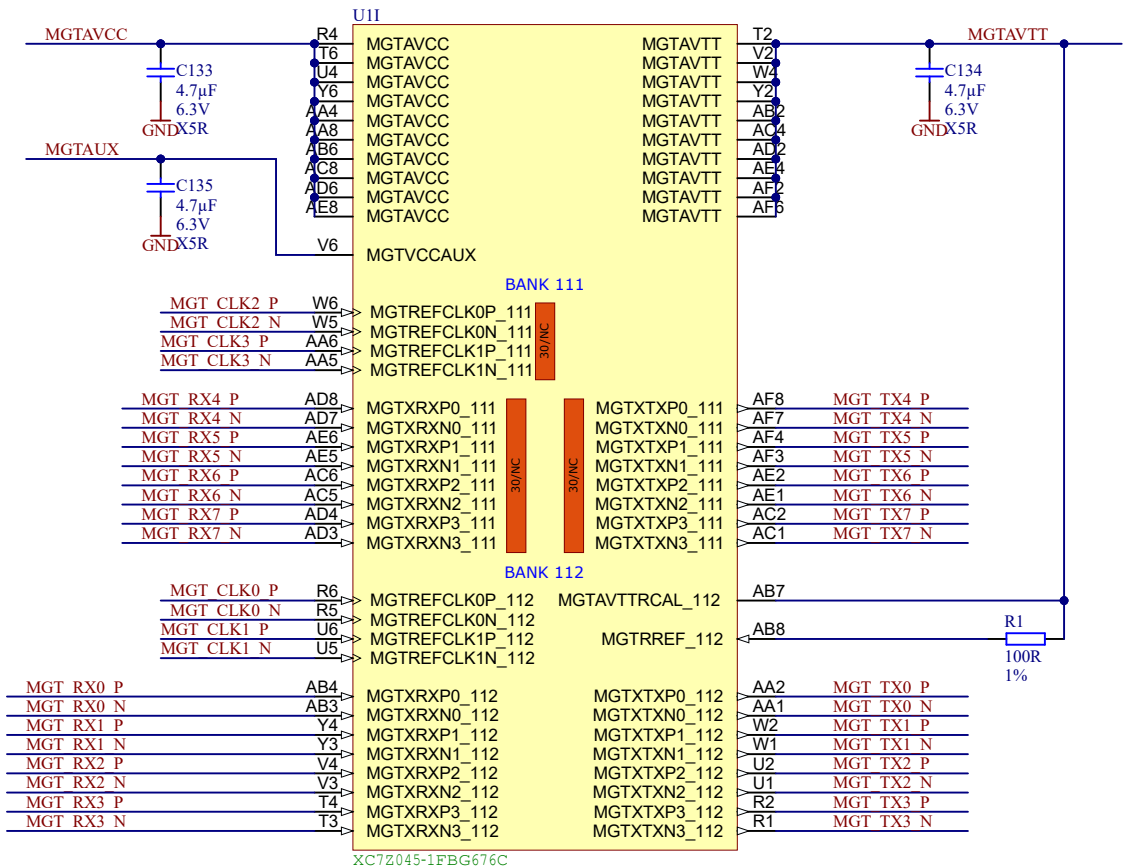
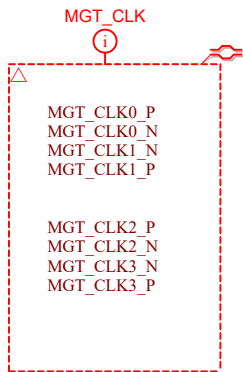
XC7Z045-1FBG676C




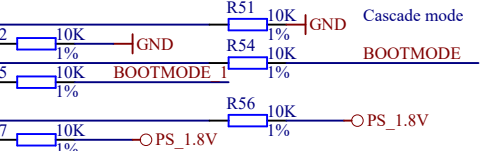
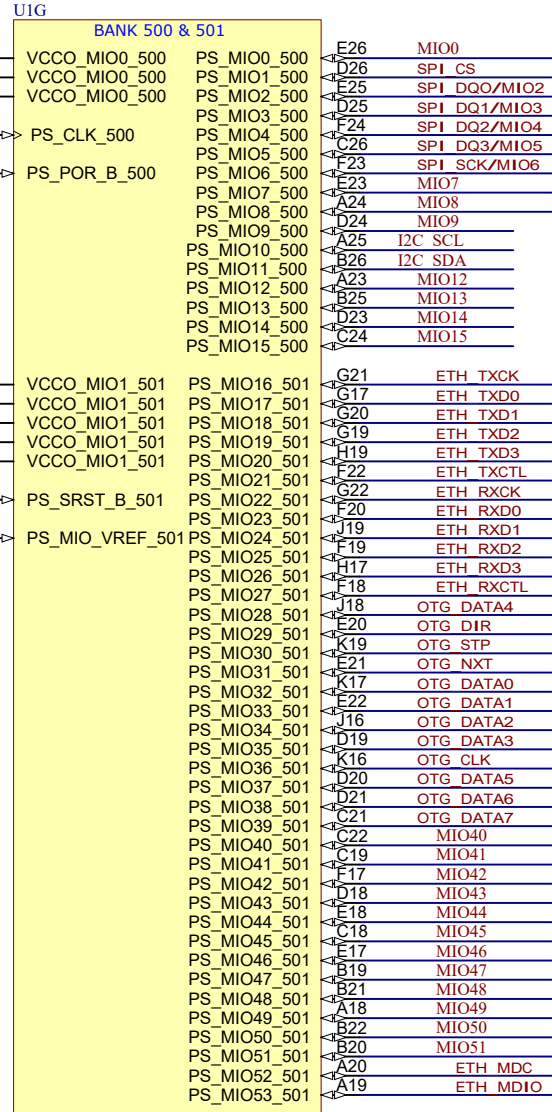
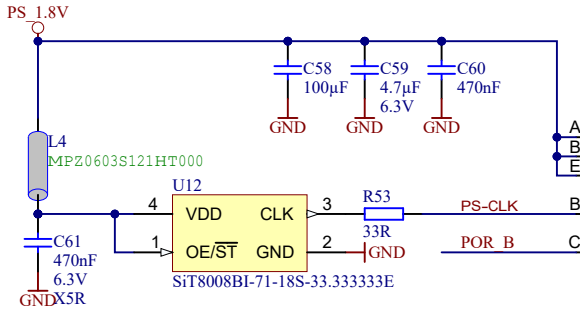
Title: TE0745 - Zynq_B34		
A4	Number: 11 91C31-AZ	Rev. 02
Date: 2016-04-28	Copyright: Trenz Electronic GmbH / TT	Page 11 of 25
Filename: B34.SchDoc		



Title: TE0745 - Zynq_B35		
A4	Number: 12 91C31-AZ	Rev. 02
Date: 2016-04-28	Copyright: Trenz Electronic GmbH / TT	Page 12 of 25
Filename: B35.SchDoc		



		Title: TE0745 - Zynq_MGT	
		A4	Number: 13 91C31-AZ
Date: 2016-04-28		Copyright: Trenz Electronic GmbH / TT	
Filename: FPGA_MGT.SchDoc		Page 13 of 25	



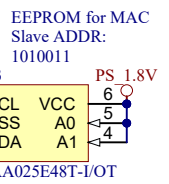
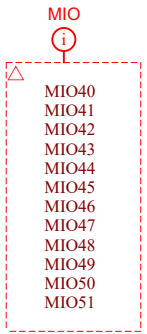
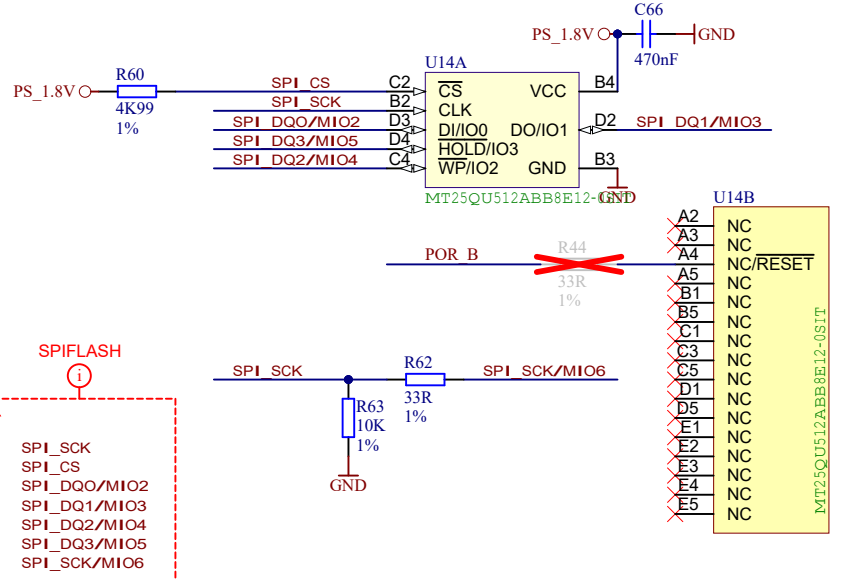
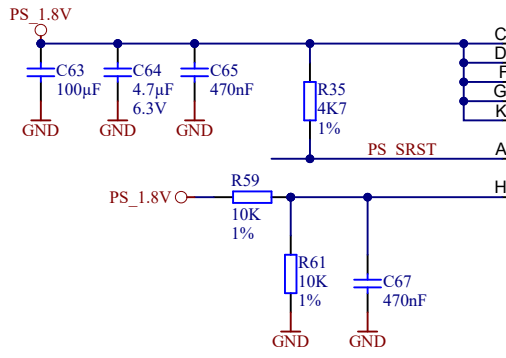
MIO Bank Voltage	MIO7	MIO8
	Bank0	Bank1

2.5V, 3.3V	0	0
1.8V	1	1

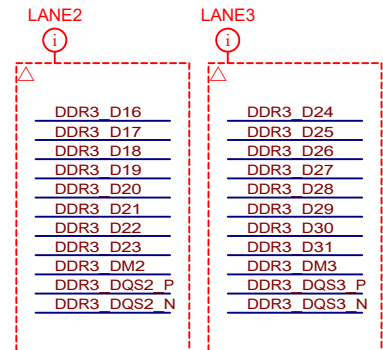
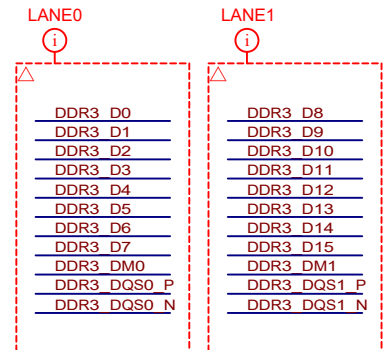
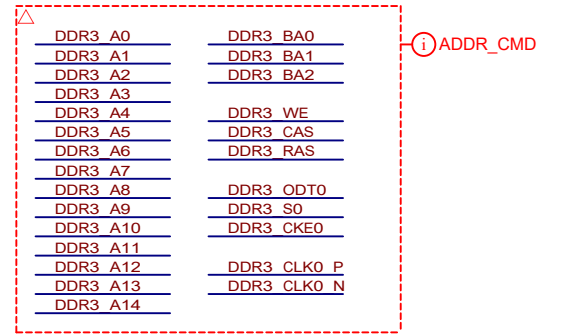
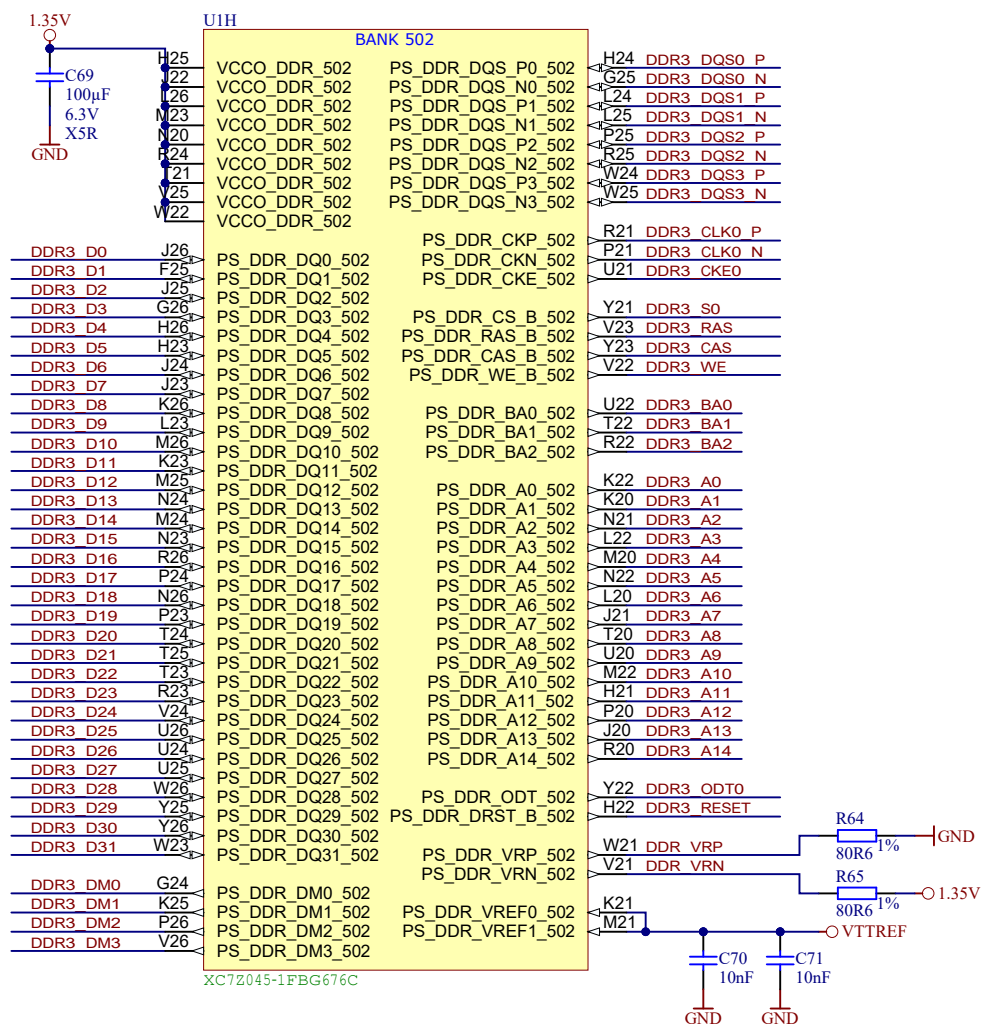
BOOT MODE	MIO5	MIO4	MIO3

JTAG Boot Mode	0	0	0
NOR Boot	0	0	1
NAND	0	1	0

Quad-SPI	1	0	0
----------	---	---	---

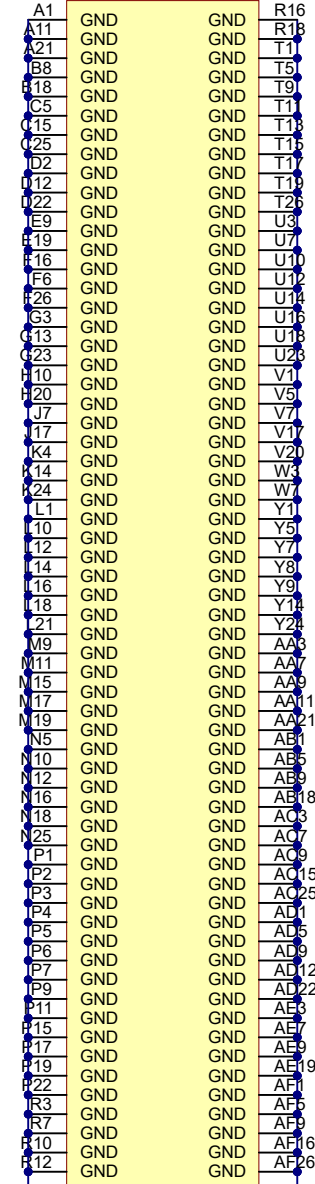


Title: TE0745 - Zynq_MIO_Banks		
A4	Number: 14 91C31-AZ	Rev. 02
Date: 2016-04-28	Copyright: Trenz Electronic GmbH / TT	Page 14 of 25
Filename: MIO_B500.SchDoc		

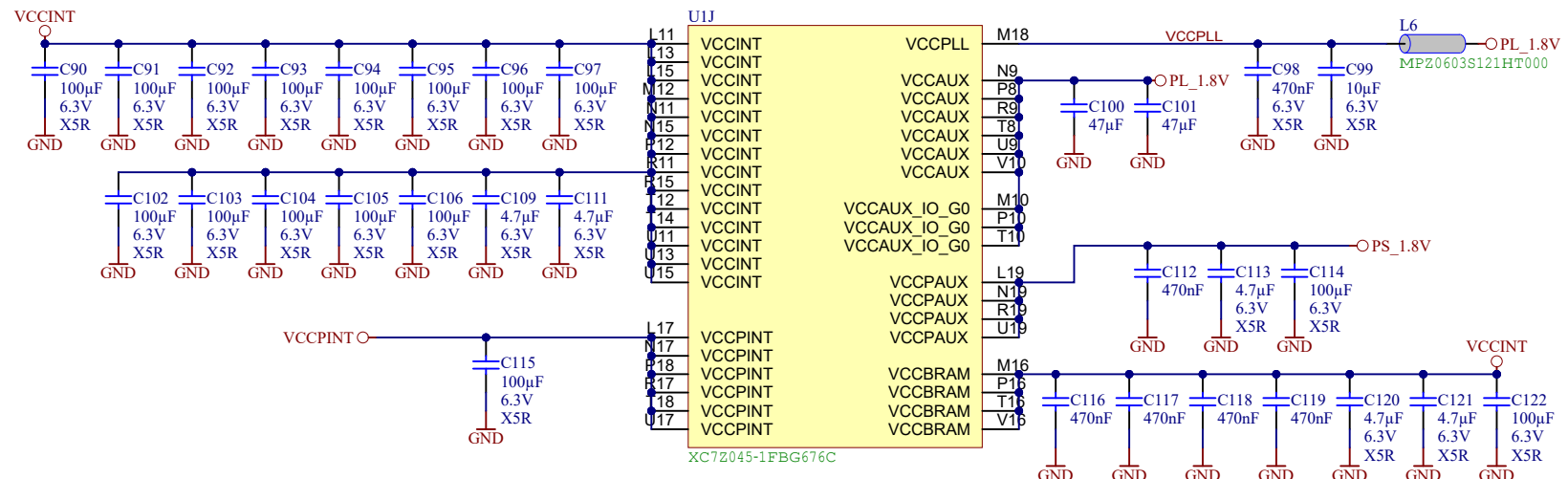


Title: TE0745 - Zynq_PS_DDR		
A4	Number: 15 91C31-AZ	Rev. 02
Date: 2016-04-28	Copyright: Trenz Electronic GmbH / TT	Page 15 of 25
Filename: PS-DDR.SchDoc		

UIK



XC7Z045-1FBG676C



XC7Z045-1FBG676C



Title: TE0745 - Zynq_Power		
A4	Number: 16 91C31-AZ	Rev. 02
Date: 2016-04-28	Copyright: Trenz Electronic GmbH / TT	Page 16 of 25
Filename: ZYNC_POWER.SchDoc		

A

A

B

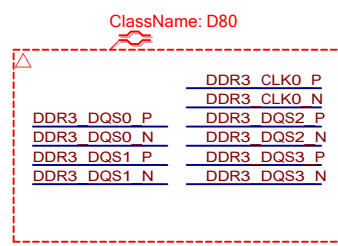
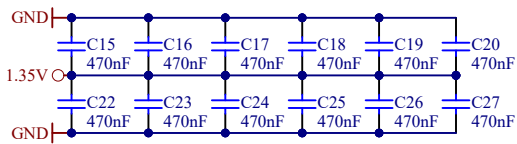
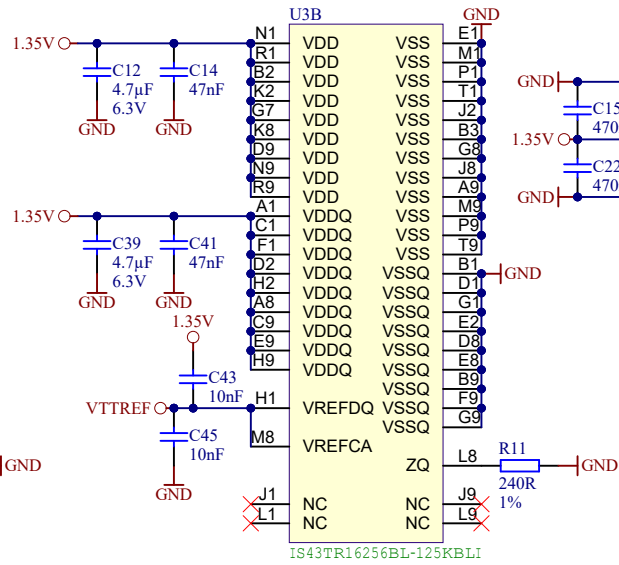
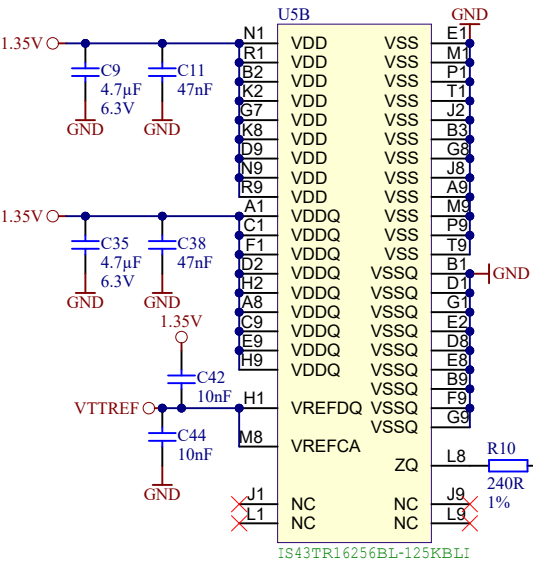
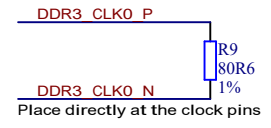
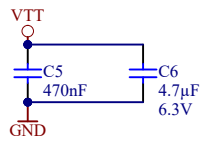
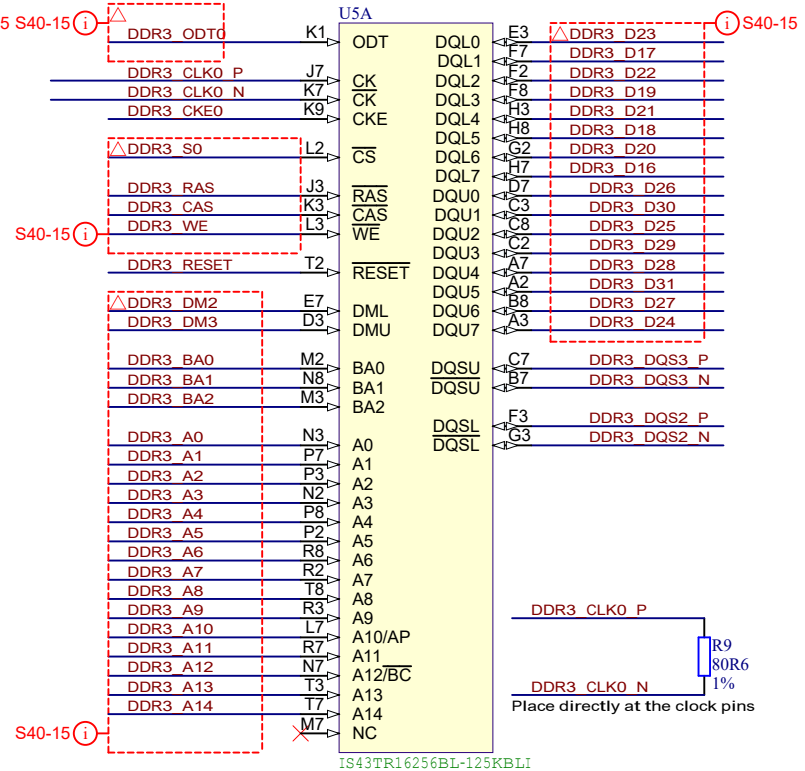
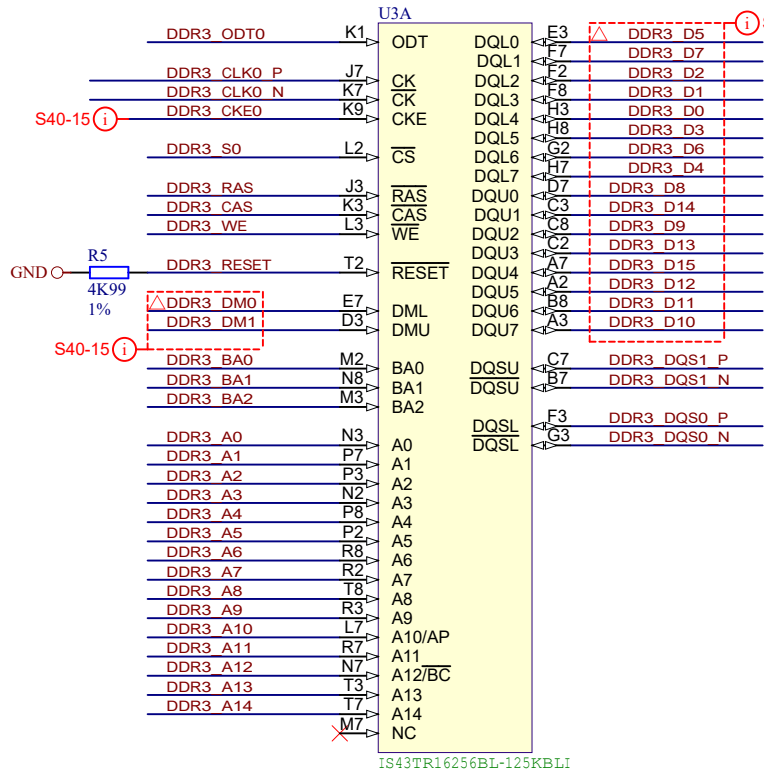
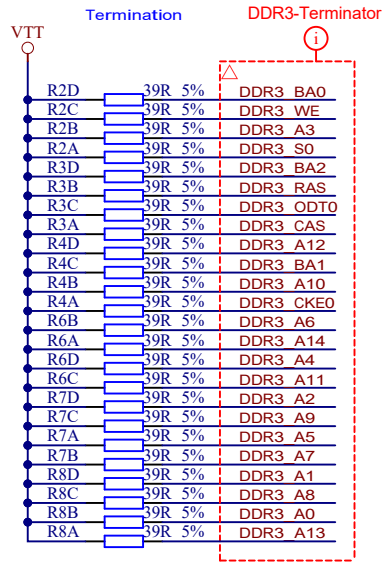
B

C

C

D

D



Title: TE0745 - DDR3 RAM		
A4	Number: 17 91C31-AZ	Rev. 02
Date: 2016-04-28	Copyright: Trenz Electronic GmbH	Page 17 of 25
Filename: DDR3-RAM.SchDoc		

1

2

3

4

A

A

B

B

C

C

D

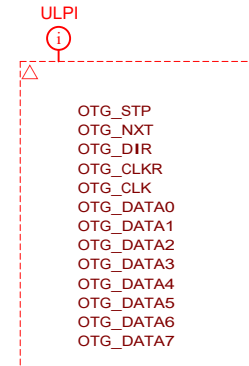
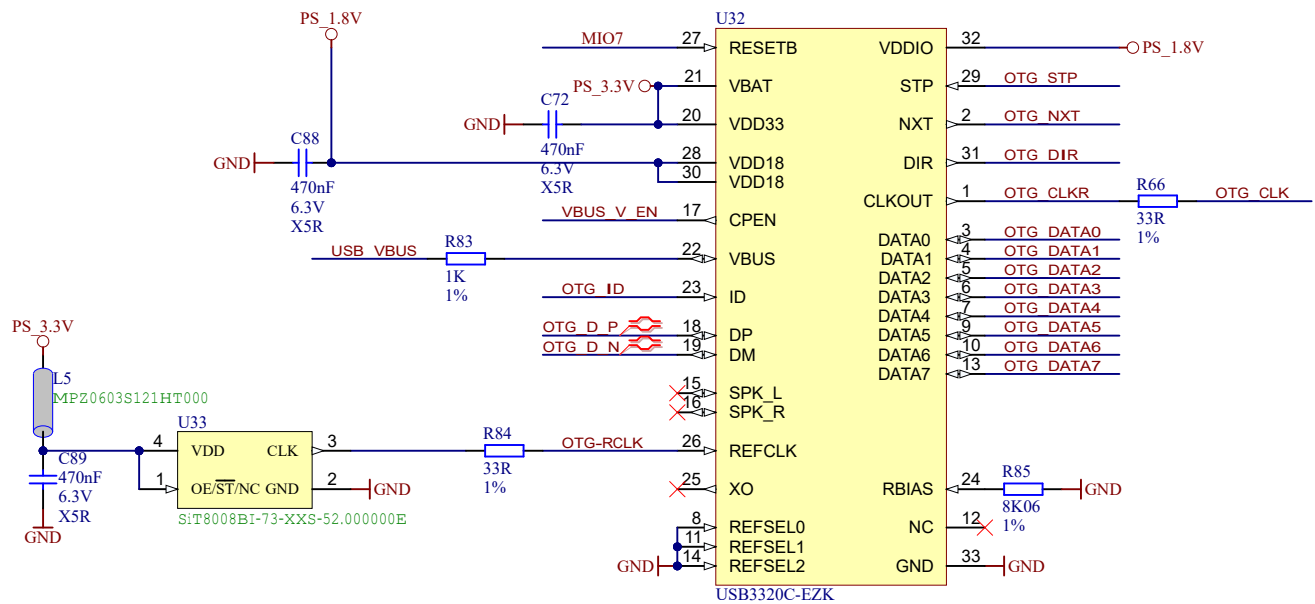
D

1

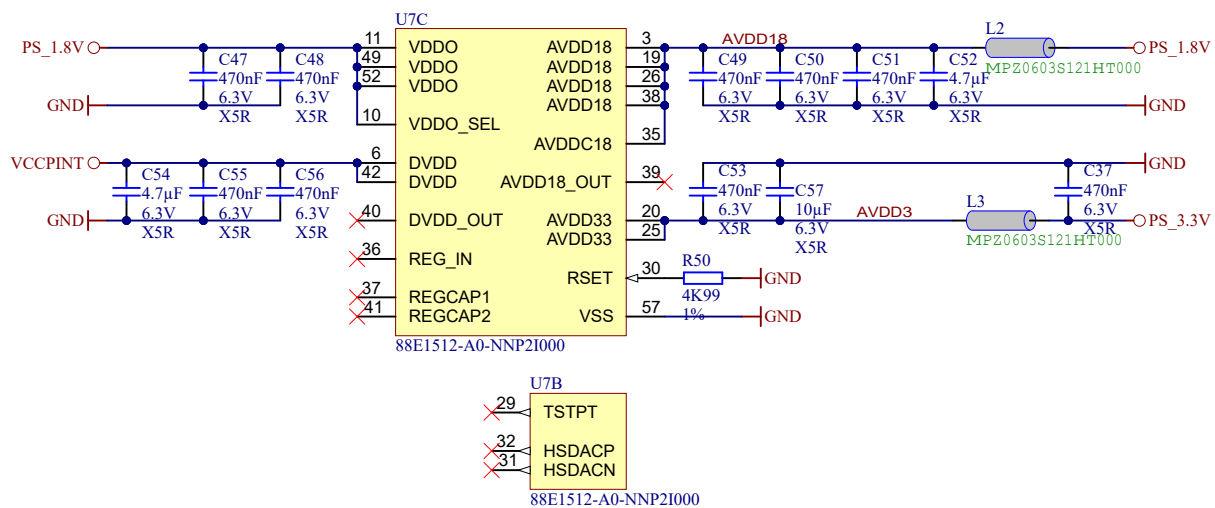
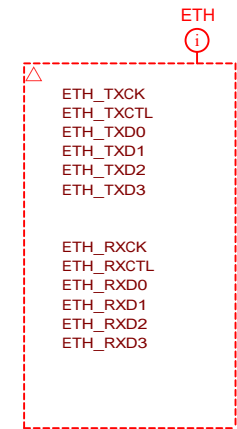
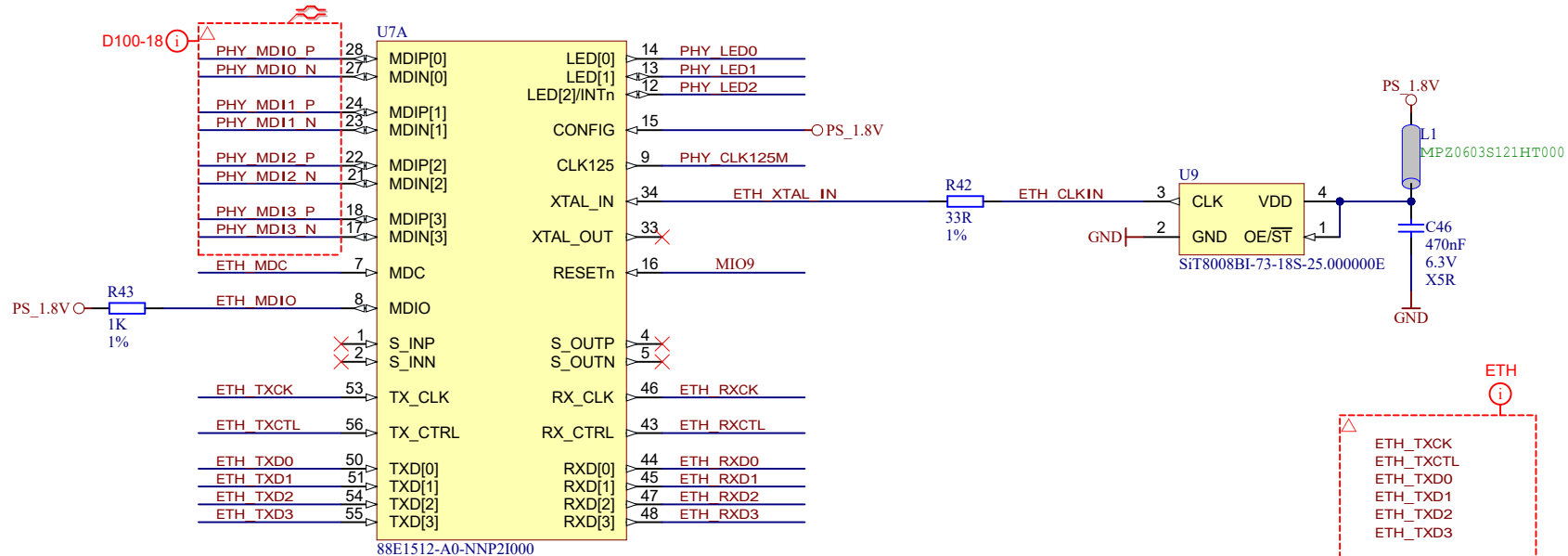
2


3

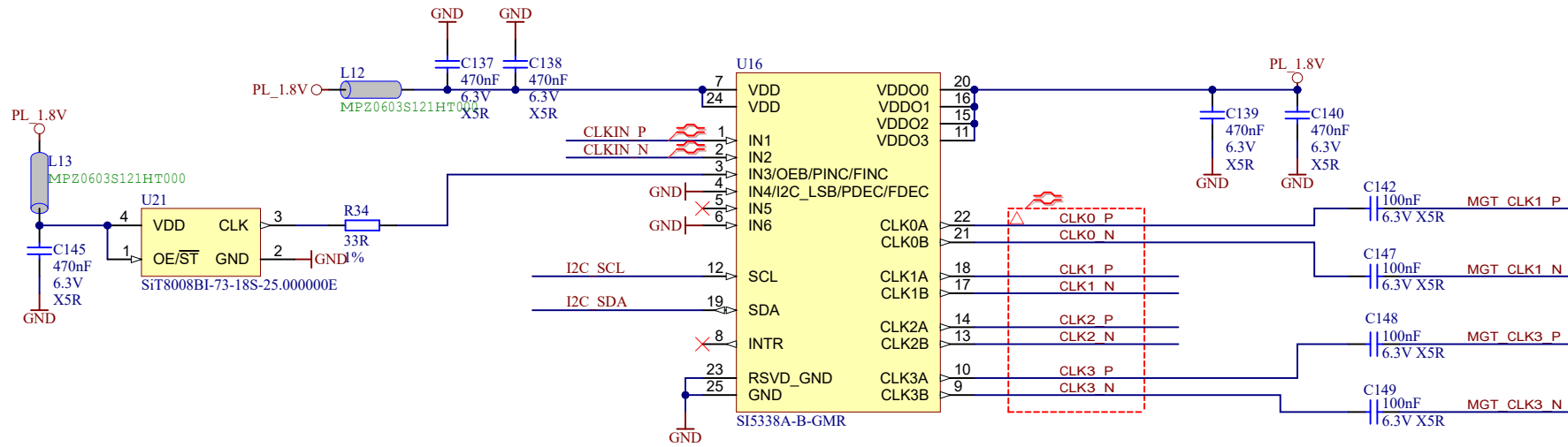
4




Title: TE0745 - USB_PHY		
A4	Number: 18 91C31-AZ	Rev. 02
Date: 2016-04-28	Copyright: Trenz Electronic GmbH / TT	Page 18 of 25
Filename: USB-PHY.SchDoc		

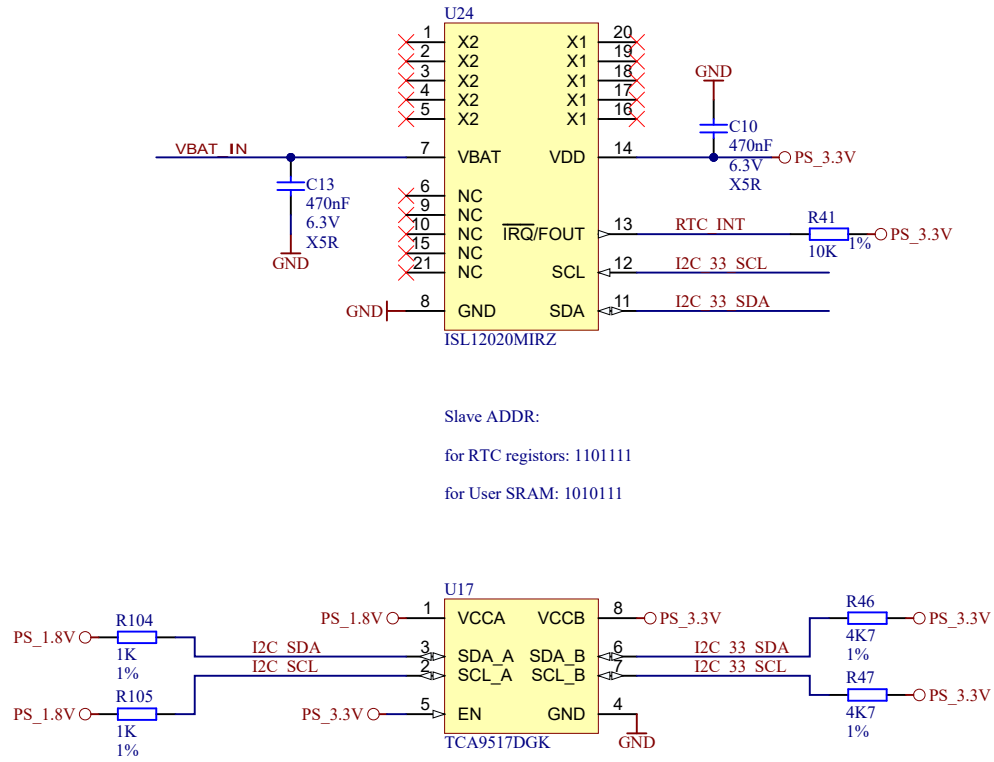


			Title: TE0745 - ETH_PHY	
			A4	Number: 19 91C31-AZ
Date: 2016-04-28		Copyright: Trenz Electronic GmbH / TT		Page 19 of 25
Filename: ETH-PHY.SchDoc				

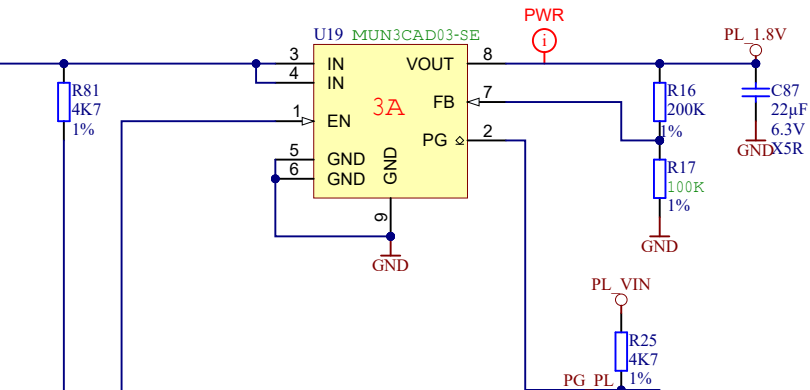
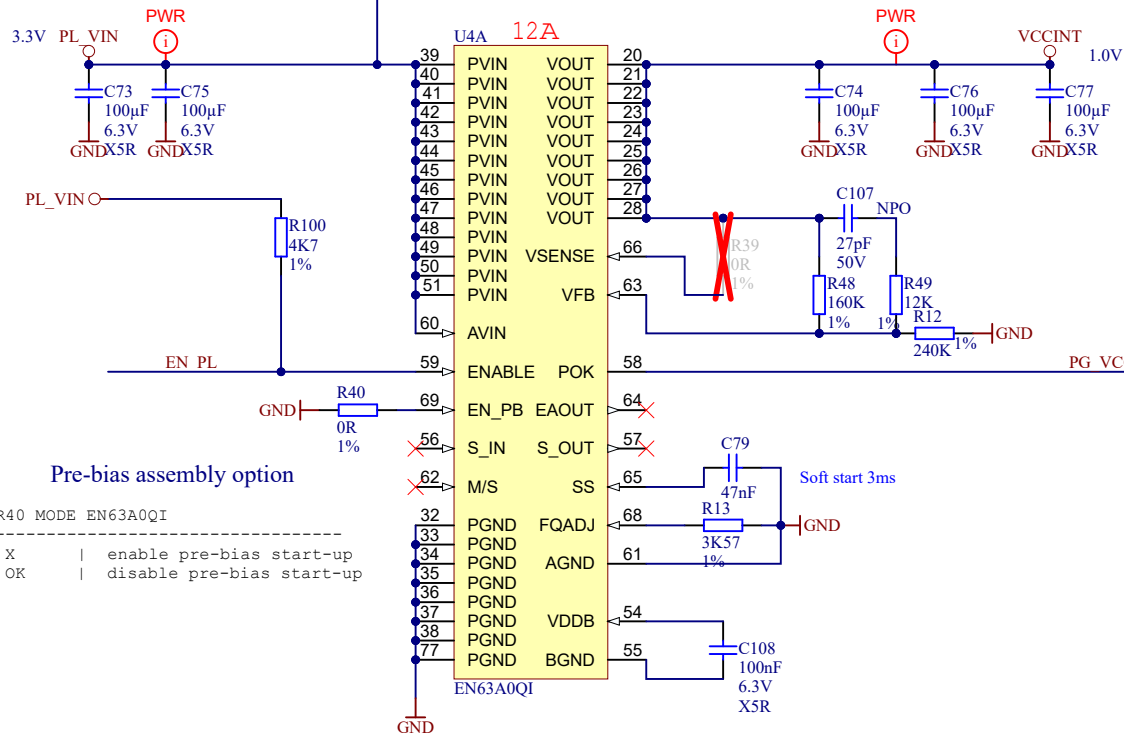


Slave ADDR:
1110000 OR 1110001

		Title: TE0745 - CLK	
		A4	Number: 20 91C31-AZ
Date: 2016-04-28		Copyright: Trenz Electronic GmbH / TT	
Filename: CLK.SchDoc		Page 20 of 25	



Title: TE0745 - RTC		
A4	Number: 21 91C31-AZ	Rev. 02
Date: 2016-04-28	Copyright: Trenz Electronic GmbH / TT	Page21 of 25
Filename: SENSOR-RTC.SchDoc		



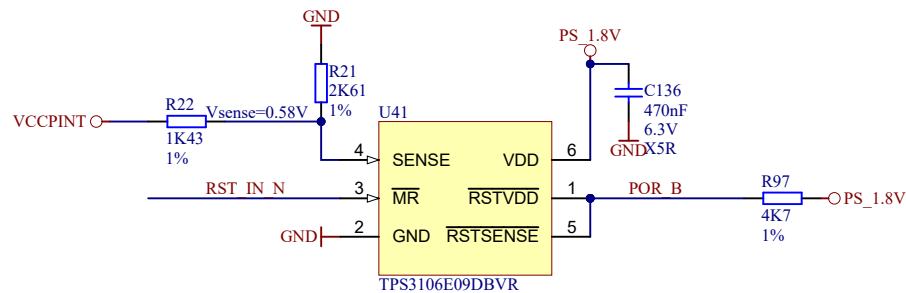
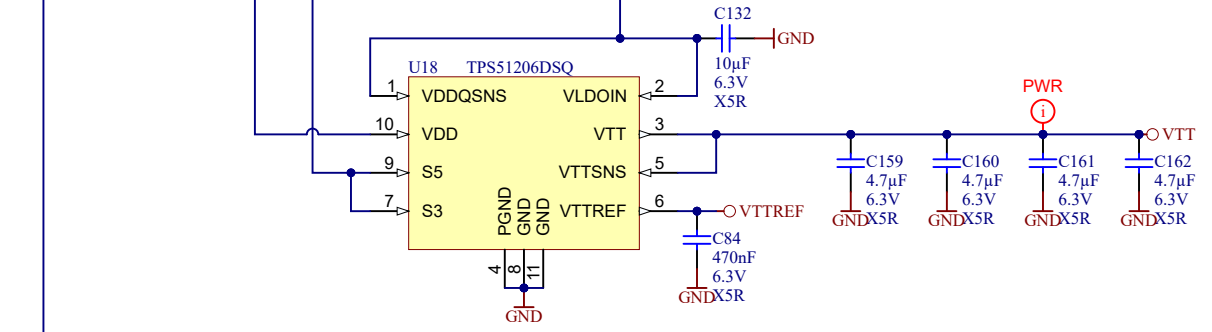
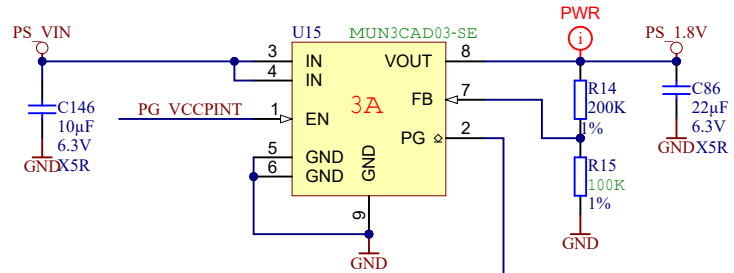
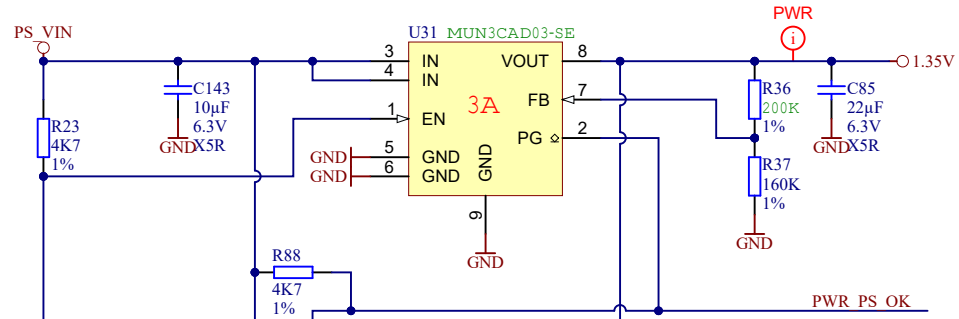
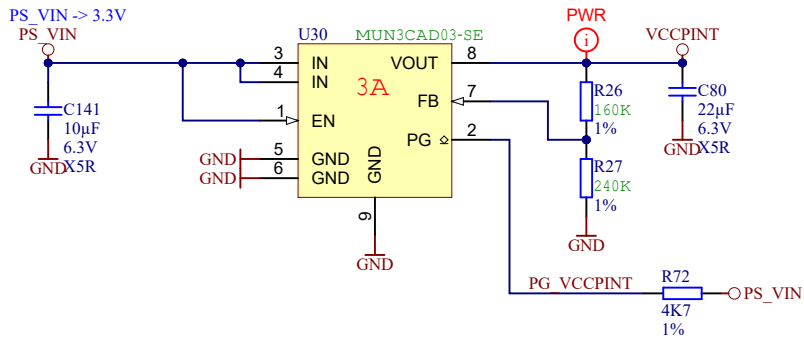
Pre-bias assembly option

R39 R40 MODE EN63A0QI

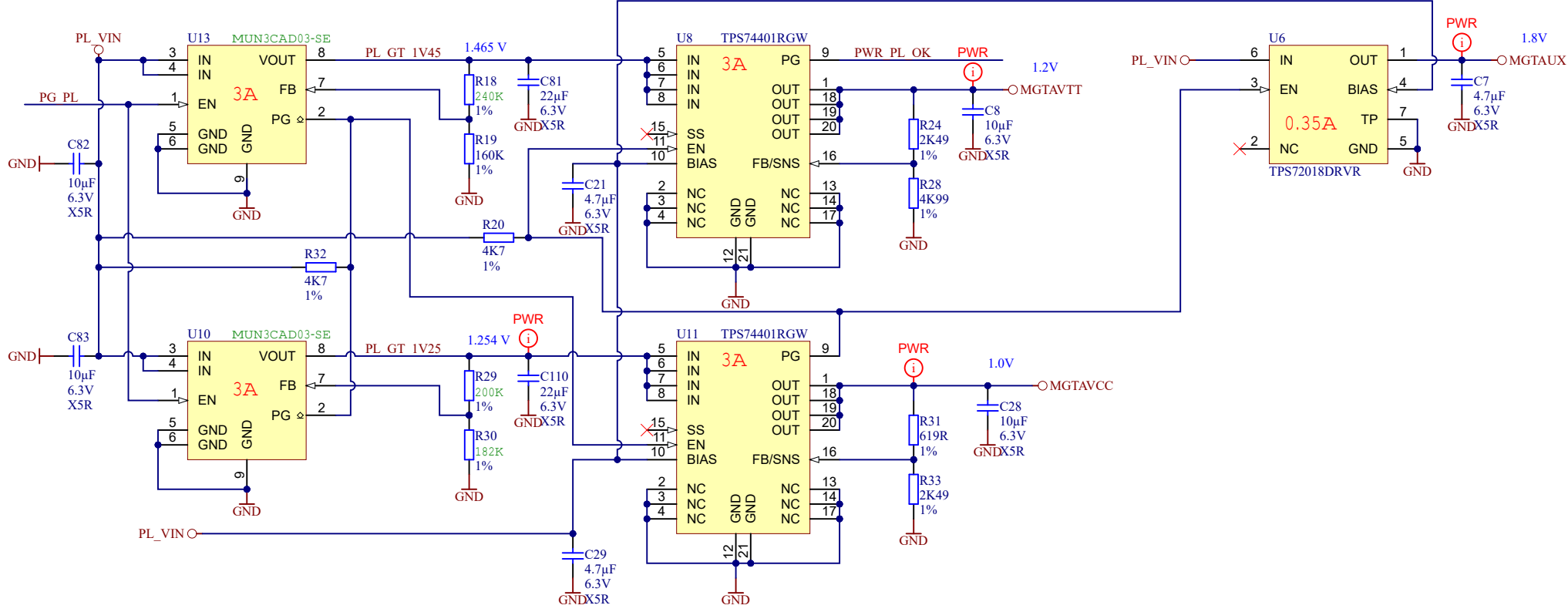
OK X | enable pre-bias start-up
 X OK | disable pre-bias start-up


U4B		EN63A0QI	
1	NC	NC	17
2	NC	NC	18
3	NC	NC	19
4	NC	NC	29
5	NC	NC(SW)	30
6	NC	NC(SW)	31
7	NC	NC	52
8	NC	NC	53
9	NC	NC	67
10	NC	NC(SW)	70
11	NC	NC(SW)	71
12	NC	NC	72
13	NC	NC	73
14	NC	NC	74
15	NC	NC	75
16	NC	NC	76

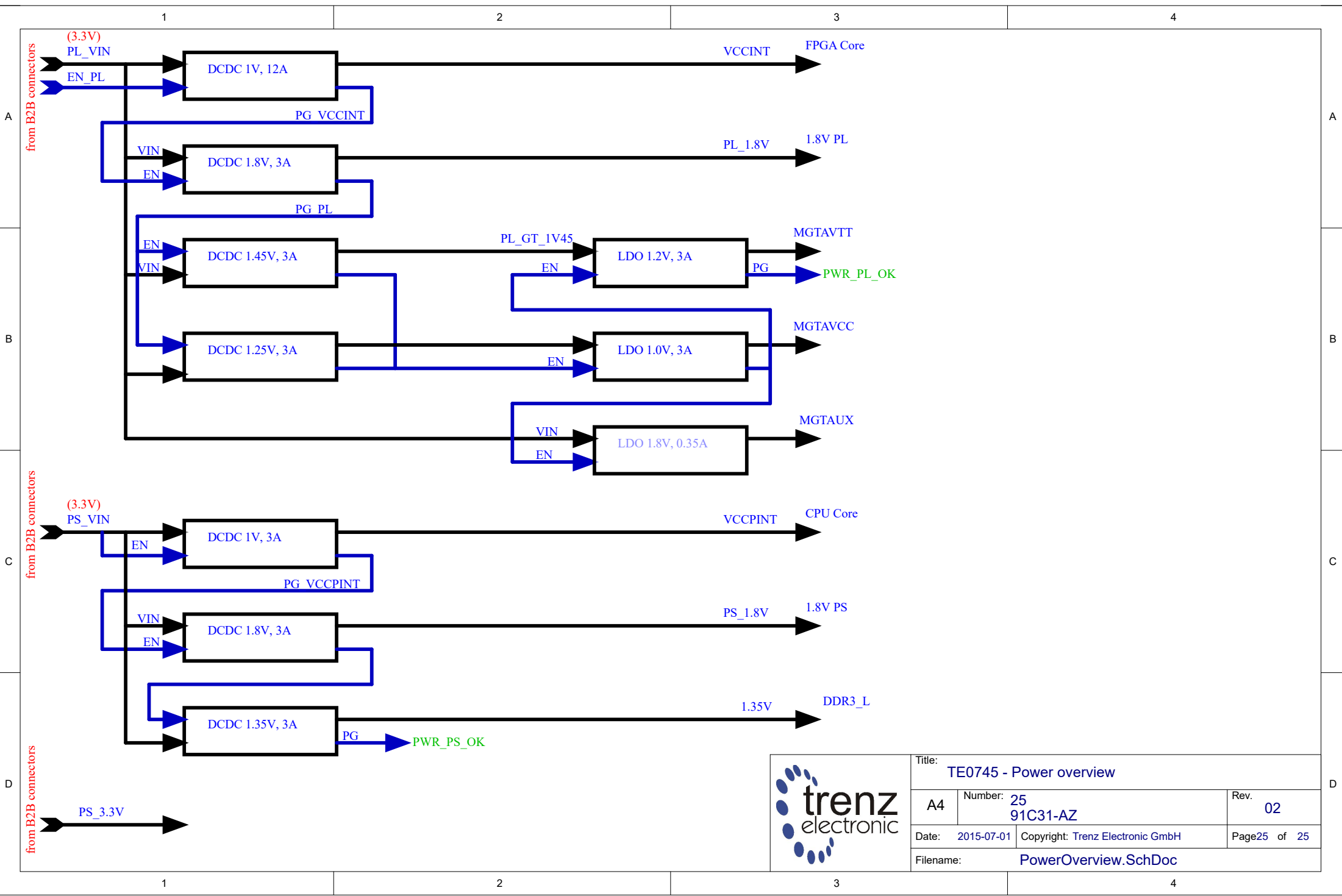
	Title: TE0745 - Power		
	A4	Number: 22 91C31-AZ	Rev. 02
	Date: 2016-04-28	Copyright: Trenz Electronic GmbH / TT	Page 22 of 25
	Filename: POWER.SchDoc		



Title: TE0745 - Power2		
A4	Number: 23 91C31-AZ	Rev. 02
Date: 2016-04-28	Copyright: Trenz Electronic GmbH / TT	Page23 of 25
Filename: POWER_2.SchDoc		



	Title: TE0745 - Power3		
	A4	Number: 24 91C31-AZ	Rev. 02
	Date: 2016-04-28	Copyright: Trenz Electronic GmbH / TT	Page24 of 25
	Filename: POWER_3.SchDoc		



Title: TE0745 - Power overview		
A4	Number: 25 91C31-AZ	Rev. 02
Date: 2015-07-01	Copyright: Trenz Electronic GmbH	Page 25 of 25
Filename: PowerOverview.SchDoc		